

ATTIX 150

Model:
ATTIX 150



Part List US-English

08-02-2015

Nilfisk
ALTO
works for you

www.nilfisk-alto.com

Table of Contents

ATTIX 150

Frame	3
Container unit	6
Filter group	8
Shaker unit	10
Suction unit	12

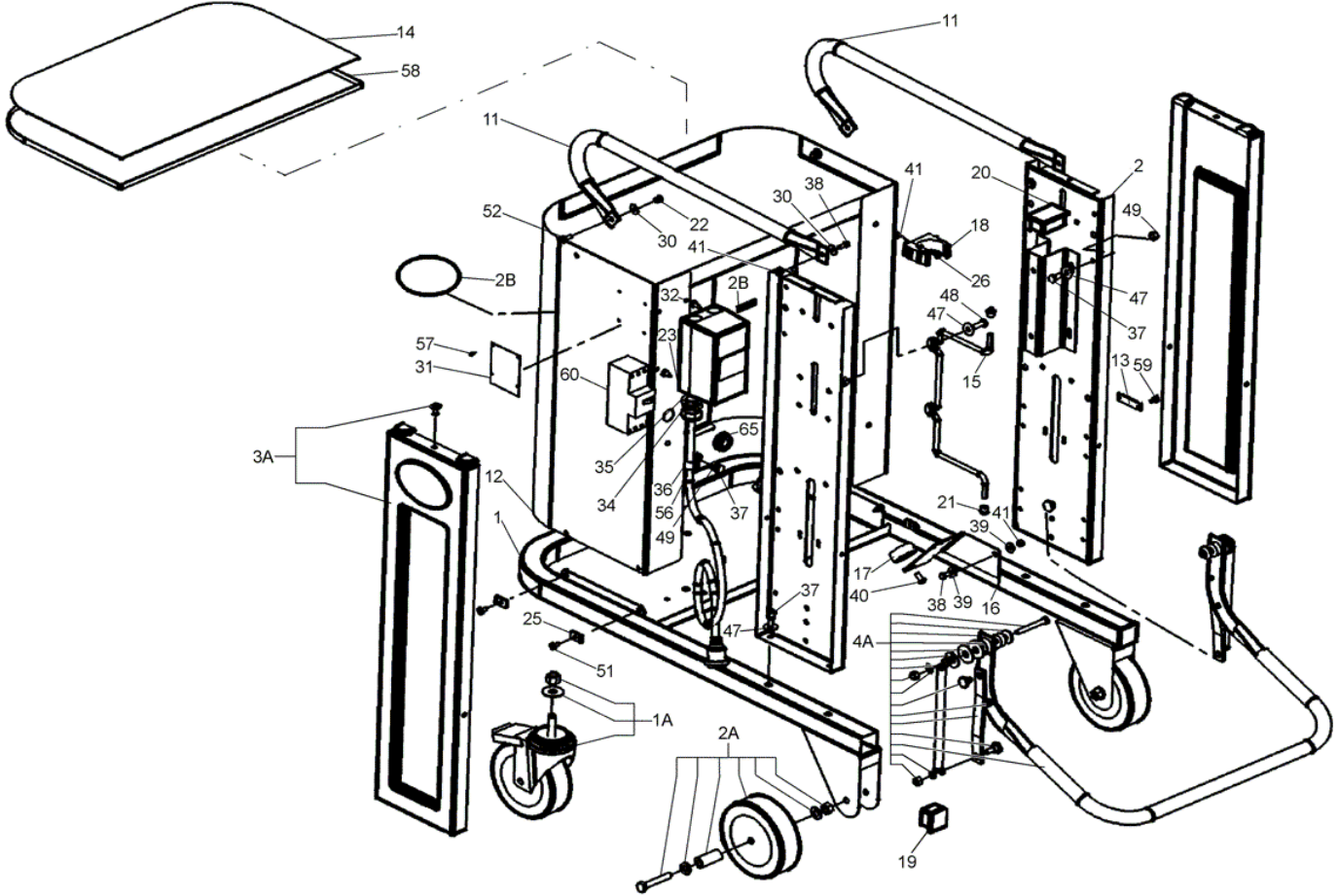
Frame

ATTIX 150

08-02-2015

Part List ID
ATTIX15001

3



Frame

ATTIX 150

08-02-2015

Part List ID
A11IX15001

4

Pos	Part no.	Qty	Description
1	Z8 36358	1	TROLLEY MOD. SOL
2	Z8 18506	2	UPRIGHT M.137
11	Z8 18938	2	HANDLE MOD. SOL
12	Z8 35118 5005	1	LOCKING CARTER MOD.SOL
13	Z8 18010	1	HOOK HOLDER PLATE
14	Z8 17716	1	PLUG FOR TANK MOD. SOL
15	Z8 16177	1	CABLE HOLDER MODEL 137
16	Z8 36487	1	SUPPORT FOR HOSE D50
17	Z8 20123	1	FIXED WHEEL D.40 PVC GREY MOBILE SUCKER
18	Z8 40392	1	COLLAR HANDGRIP FIXING
19	Z8 40035	2	SQUARE PLUG 40 x 40 PVC
1A	40000433	1	KIT REVOLV. CASTOR D150
20	Z8 40396	2	PLUG 60 x 40 PVC
21	Z8 40407	2	PUSH ROD PVC D.8 x CAB.HOLD.
22		2	NOTE COMMENT Nut M6 UNI 5721 DIN 1587
23	Z8 391052	1	BOX CIRCUIT BREAKER IP55 S00 155x85x88
25	Z8 40037	4	FASTENER FOR SELF-THREADING.D6
26		1	NOTE COMMENT Screw M6x16 UNI 7687 DIN 7985
2A	40000434	1	KIT FIXED WHEEL D150
2B	40000481	1	KIT LABELS
30		9	NOTE COMMENT Washer D.6x18 UNI 6593 DIN 9021
31	ZS08AL17168	1	THREEPHASE PLATE NILFISK ALTO
32		2	NOTE COMMENT Screw D6,3x16 UNI 6954 DIN 7981
34	Z8 39793	2	CABLE GLAND M25 PA
35	Z8 39944	2	METAL RING NUT M25
36	Z8 39981	1	FAIRLEAD RUBBERISED D16
37		11	NOTE COMMENT Screw M8x16 UNI 5739 DIN 933
38		3	NOTE COMMENT Screw M6x16 UNI 5739 DIN 933
39		2	NOTE COMMENT Washer D.6x18 UNI 6593 DIN 9021
3A	40000479	1	SIDE PANEL KIT
40		1	NOTE COMMENT Screw M8x16 ISO 7380
41		4	NOTE COMMENT Nut M6 UNI 5588 DIN 934
47		13	NOTE COMMENT Washer D.8x24 UNI 6593 DIN 9021
48		2	NOTE COMMENT Screw M8x25 UNI 5739 DIN 933
49		9	NOTE COMMENT Nut M8 UNI 5588 DIN 934
4A	40000485	1	KIT RELEASE LEVER D460
51		4	NOTE COMMENT Screw D.6,3x16 UNI 6954 DIN 7981
52		2	NOTE COMMENT Screw M6x16 UNI 7687 DIN 7985
56	4083901287	1	CABLE SUP. 4G2.5 NE.SP16A 5PP 9M
57		4	NOTE COMMENT Rivet D.2,9x7 DIN 7337
58	40000763	1	SEAL
59		2	NOTE COMMENT Screw M6x10 UNI 5739 DIN 933
60	Z8 391157	1	CIRCUIT BREAKER 9-12 A S00 SIRIUS S00

Frame

ATTIX 150

08-02-2015

Part List ID
A11IX15001

5

Pos	Part no.	Qty	Description
65	Z8 39040	1	PLATE PASS D22

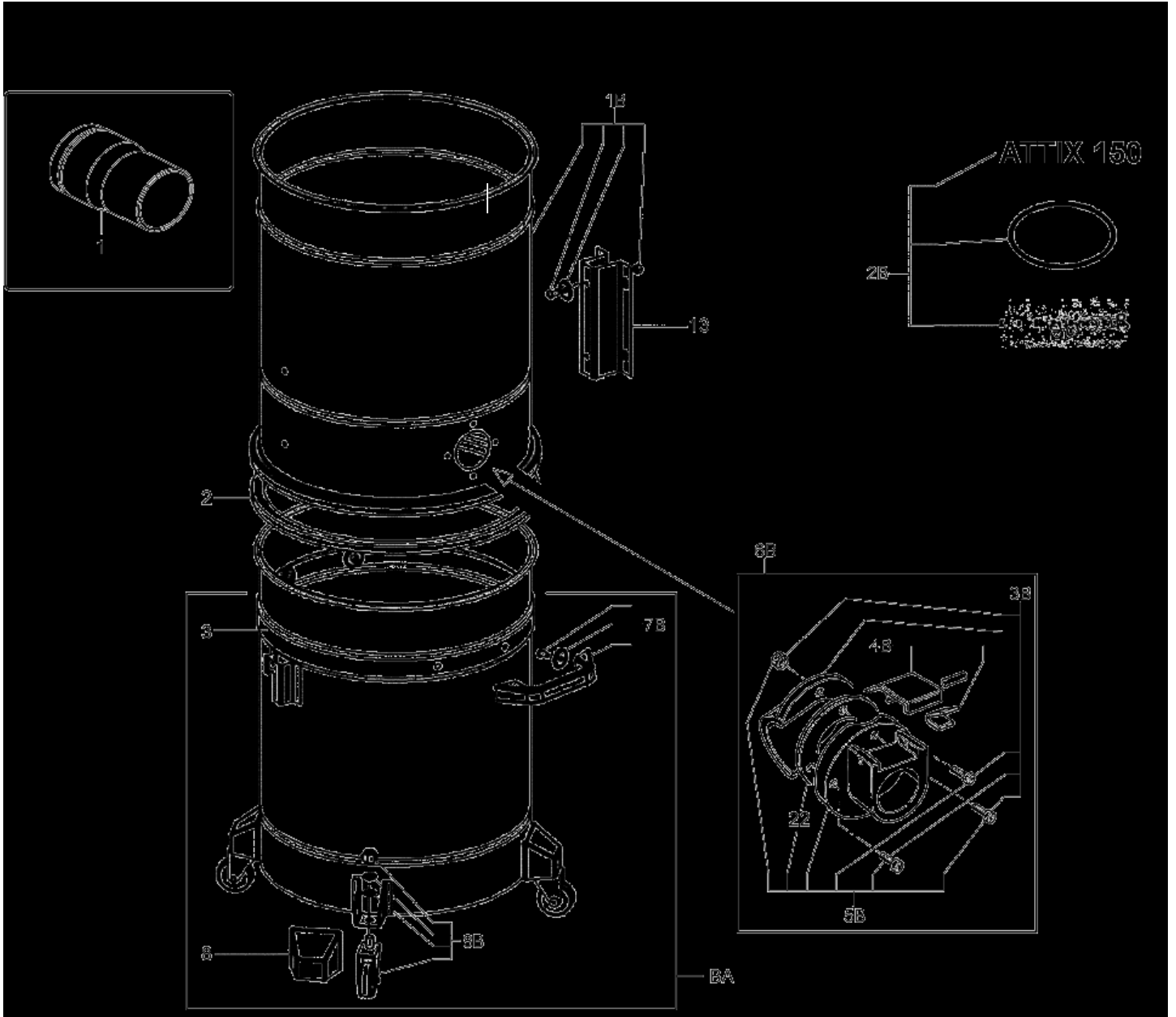
Container unit

ATTIX 150

08-02-2015

Part List ID
ATTIX15003

6



Container unit

ATTIX 150

08-02-2015

Part List ID
A111X15003

7

Pos	Part no.	Qty	Description
1	4072200392	1	ADAPTOR D70 CFM - D60 MULTIFIT
2	40000762	1	SEAL
3	Z8 30278 5005	1	CONTAINER D460x600 FE LT.100 MOD.3308
8	Z8 17021	4	BUMPER WHEEL HOLDER
13	Z8 14260	2	F.CHAMB.BRACKET D460 FE M.137
1B	40000483	1	KIT FILTER CHAMBER D460
22	Z8 17006	1	INLET SEAL D70
2B	40000481	1	KIT LABELS
3B	40000395	1	KIT DEFLECTOR D70
4B	40000345	1	KIT PUSHBUTTON FOR INLET D70
5B	40000343	1	KIT INLET FE D70
6B	40000397	1	KIT COMPLETE INLET FE D70
7B	40000423	1	KIT HANDLE SS
8B	40000419	1	KIT CASTORS FOR CONTAINER
BA	Z8 30291 5005	1	CONT.D460x600 FE COMPL. LT.100 MOD. 3308

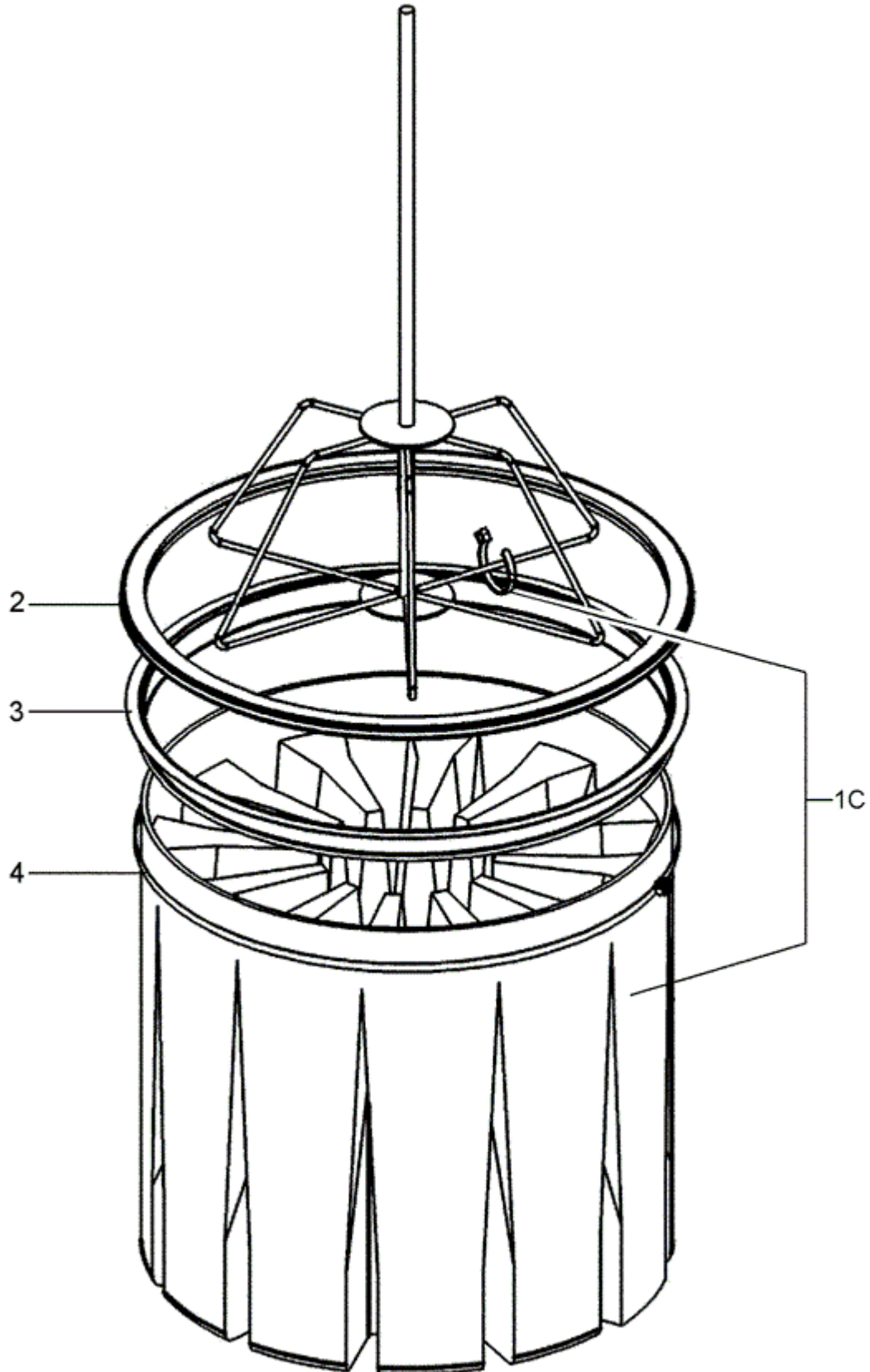
Filter group

ATTIX 150

08-02-2015

Part List ID
ATTIX15005

8



Filter group

ATTIX 150

08-02-2015

Part List ID
A11IX15005

9

Pos	Part no.	Qty	Description
2	Z8 17026	1	FILTER SEAL D460 BLACK
3	Z8 15003	1	FILTER HOLDER RING D460 FE
4	Z8 18079	1	FILTER BLOCK TIE D460
1C	40000338	1	KIT STAR FILTER D460 L CLASS

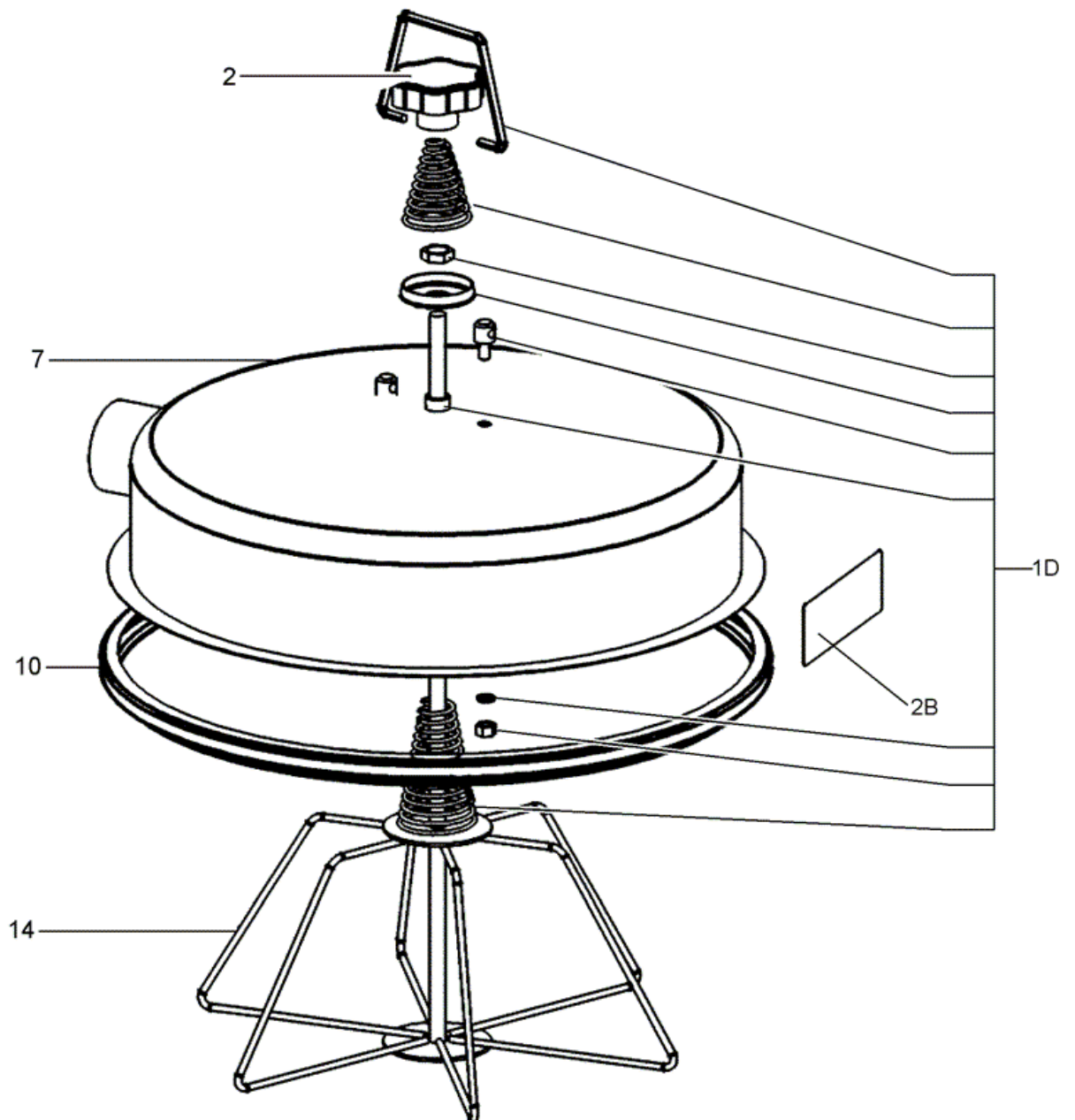
Shaker unit

ATTIX 150

08-02-2015

Part List ID
ATTIX15007

10



Shaker unit

ATTIX 150

08-02-2015

Part List ID
A111X15007

11

Pos	Part no.	Qty	Description
2	Z8 40027	1	KNOB D70 M12 NO HOLE
7	Z8 31643 9005	1	COVER D460 MOD. SOL
10	Z8 36191	1	BAND LOCK D.460
14	Z8 33324	1	STAR CAGE D460 FE x SOL
1D	40000313	1	KIT FILTER SHAKER FE
2B	40000481	1	KIT LABELS

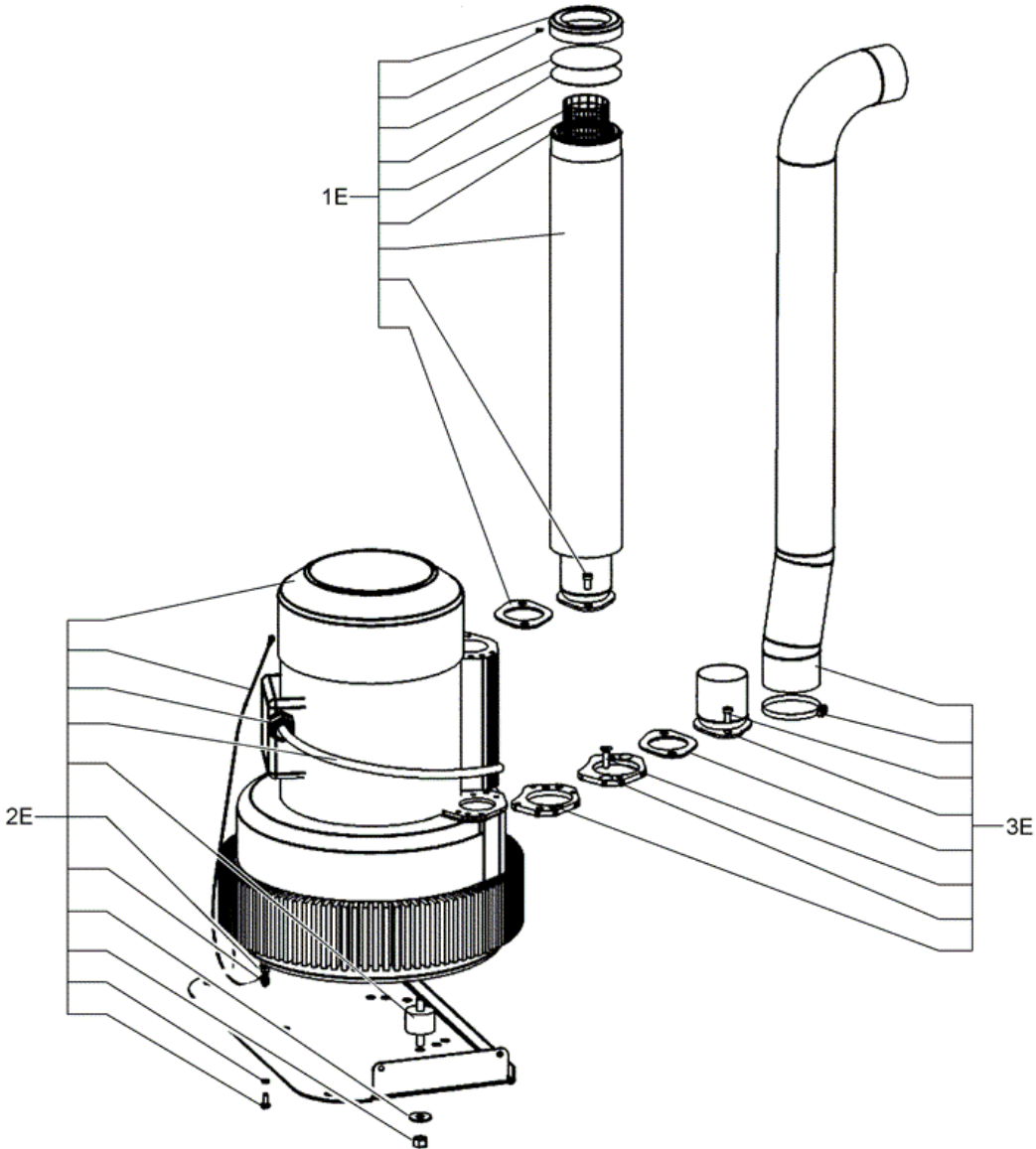
Suction unit

ATTIX 150

08-02-2015

Part List ID
ATTIX15009

12



Suction unit

ATTIX 150

08-02-2015

Part List ID
A11IX15009

13

Pos	Part no.	Qty	Description
1E	40000438	1	KIT SILENCER FE D100
2E	40000440	1	SUCTION UNIT KIT
3E	40000439	1	KIT SUCTION CONNECTION D70