

BA 430

Model:
BA 430
BA 430S



Stückliste Deutsch

25-02-2015

Inhalt

BA 430

Chassis-System	3
HANDGRIFF SYSTEM	5
FRISCHWASSERSYSTEM	7
SCHMUTZWASSERSYSTEM	9
ABSAUGERSYSTEM	11
BÜRSTENANTRIEBSSYSTEM	13
ELEKTROSYSTEM	16
BÜRSTEN-/SCHEIBENWÄHLER	18
Material composition	20
56302198 - Hour Meter Kit	22

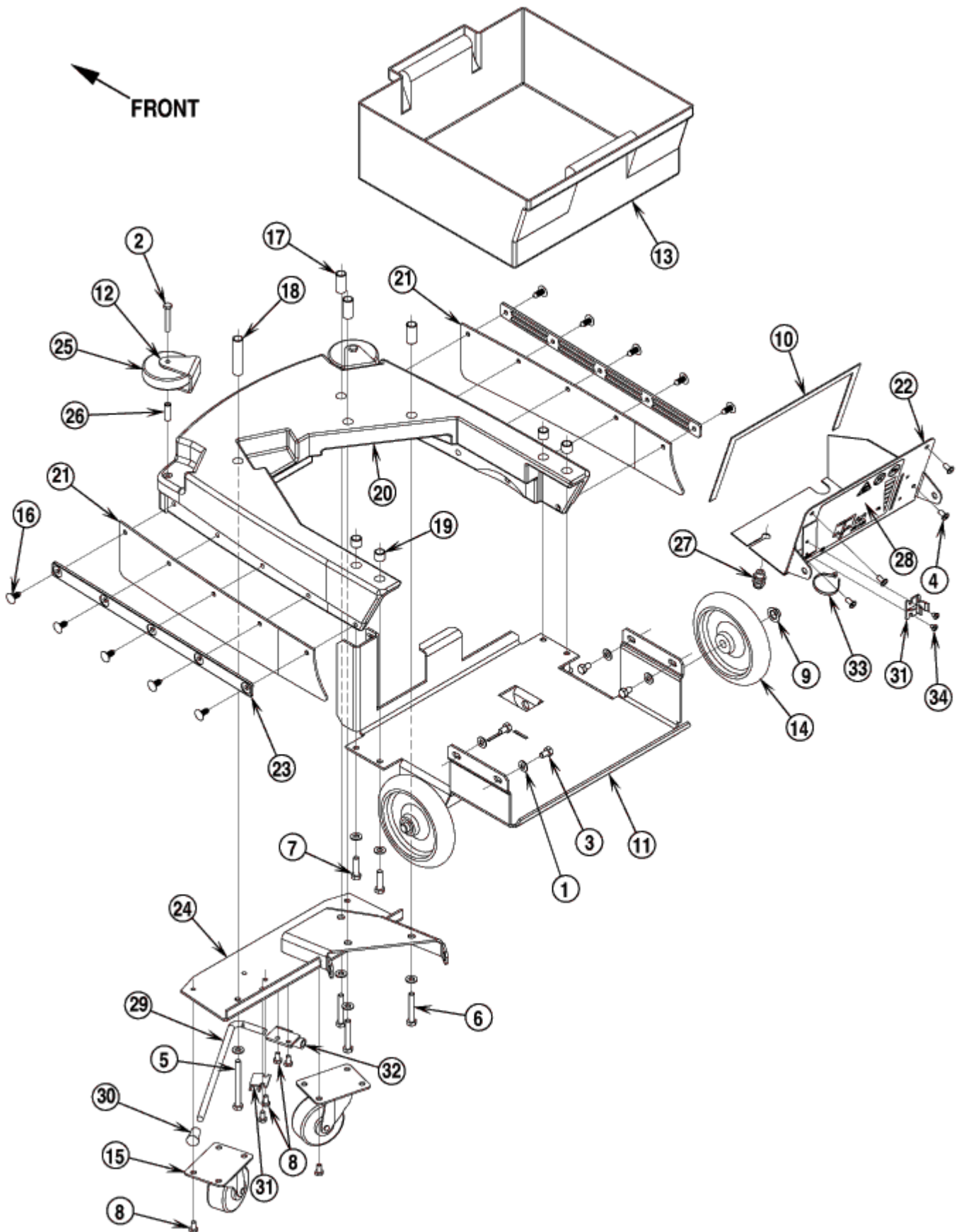
Chassis-System

BA 430

25-02-2015

ET-Liste-Nr. E2613

3



Chassis-System

BA 430

25-02-2015

ET-Liste-Nr.

E2613

4

Pos	Artikelnr.	Me	Beschreibung
1	56001939	12	Flachdichtung 5/16
2	56001967	2	Schraube HEX HD 1/4-20 x
3	56001862	4	SCR HEX HD 5/16-18 X .50
4	56003119	4	SCR PAN PHIL SS 1/4 20 X .50.
5	56003370	1	SCR HEX LOC SS 5/16 18X 3.25
6	56003371	3	SCR HEX LOC SS 5/16 18X 2.0
7	56003372	4	Schraube PAN PHIL M3,5
8	56009033	8	Schraube 1/4-20X1 2HP 5
9	56009097	2	Radhülse zu BA 430
10	56330682	2	Dichtung1/16x1/2x120 HC525F
11	56302116	1	BATTERY BOX WLDMT
12	56302132	2	WHEEL BRACKET
13	56302143	1	BATTERY TRAY
14	56382979	2	WHEEL Ø6.00 DELRIN HUB
15	56302319	2	Schwenkrad zu BA 430
16	56497860	10	Spritzgummibefestigung
17	56302191	3	SPACER
18	56302192	1	SPACER
19	56302193	4	SPACER
20	56302201	1	SKIRT
21	56302205	2	Spritzgummi für BA 430
22	56302208	1	CONTROL PANEL WLDMT
23	56302211	2	STRAP BLADE
24	56302213	1	MOUNT WELDMENT
25	56324499	2	Rad 4,00 x 0,781
26	56360139	2	Büchse zu BA 430
27	56456027	1	STRAIN RELIEF E00220
28	56015939	1	DECAL CONTROL PANEL
29	56302247	1	ROD
30	56302244	1	TIP RUBBER
31	56302248	2	Clip
32	56302249	1	KICKSTAND WELDMENT
33	56478246	1	CABLE TIE E00549 RE438BA
34	56002950	2	Mutter 5/116-24

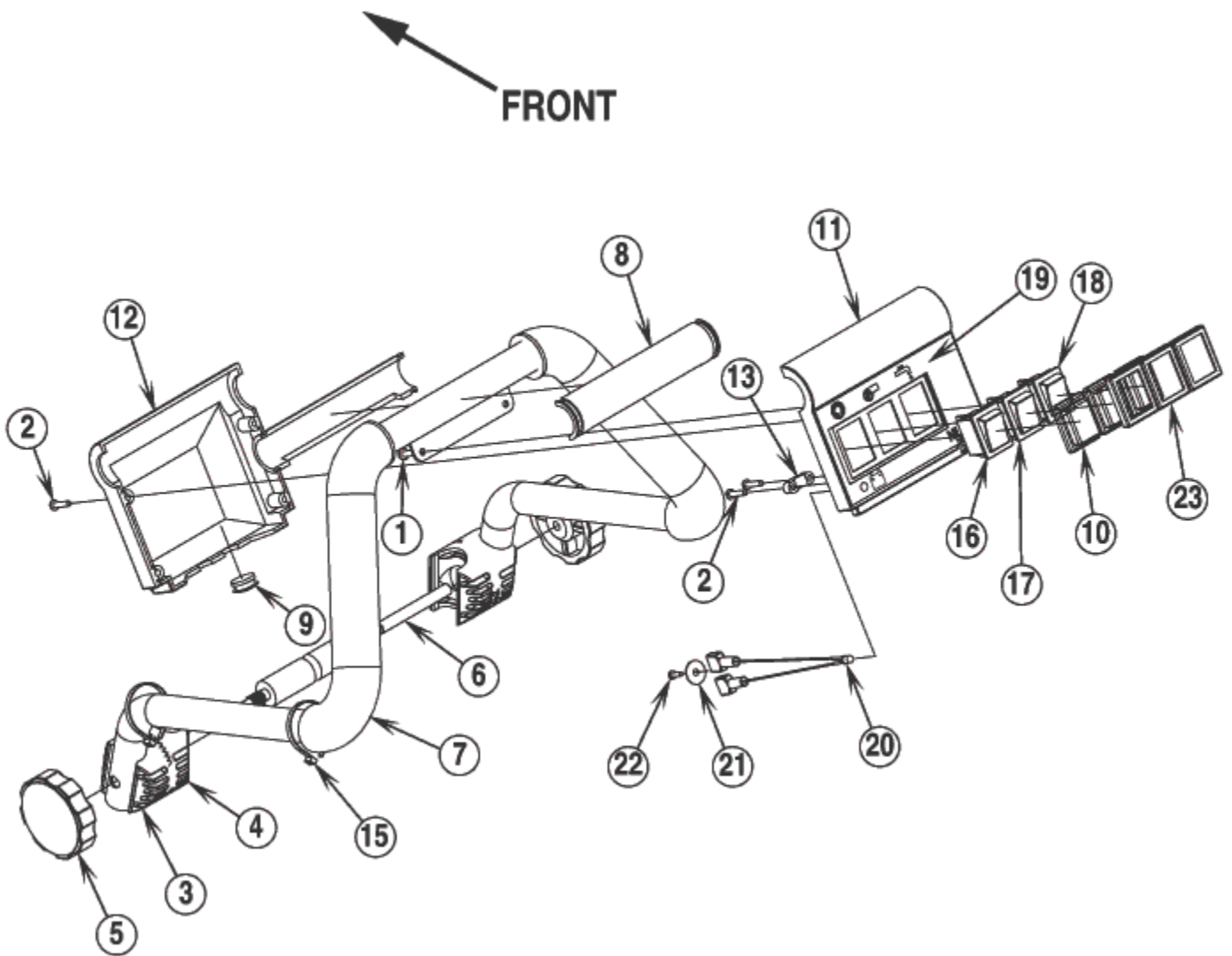
HANDGRIFF SYSTEM

BA 430

25-02-2015

ET-Liste-Nr. E2615

5



HANDGRIFF SYSTEM

BA 430

25-02-2015

ET-Liste-Nr.

E2615

6

Pos	Artikelnr.	Me	Beschreibung
1	56003354	2	Schraube M 3.9 x120
2	56003356	6	SCR PAN PHIL M3.5 X 16.0
3	56264118	2	RATCHET, HANDLE ADJ.
4	56264123	2	Sperrvorrichtung
5	56302167	2	Rändelmutter zu BA 430/S
6	56302227	2	SCREW PIVOT
7	56302228	1	HANDLE WELDMENT
8	56302230	2	SPACER MOLDED
9	56302232	1	PLUG MOLDED
10	L08603193	3	SchalterrahmenSiehe 5667 000
11	909 5846 000	1	Steckergehäuse
12	909 5847 000	1	Schaltergehäuse, hinten
13	L08600168	1	Block Fixierung
15	56478246	2	CABLE TIE E00549 RE438BA
16	909 5667 000	1	Kippschalter kompl.zu BA 430/S
17	909 5667 000	1	Kippschalter kompl.zu BA 430/S
18	909 5667 000	1	Kippschalter kompl.zu BA 430/S
19	56015960	1	DECAL CONTROL PANEL
20	56302240	1	LED INDICATOR ASSY Low battery
21	56200190	1	WSH FLT FIBRE .170HP2J
22	56003194	1	SCR PAN PHIL PLASTITE 4 24X.38
23	L08603193	3	SchalterrahmenSiehe 5667 000

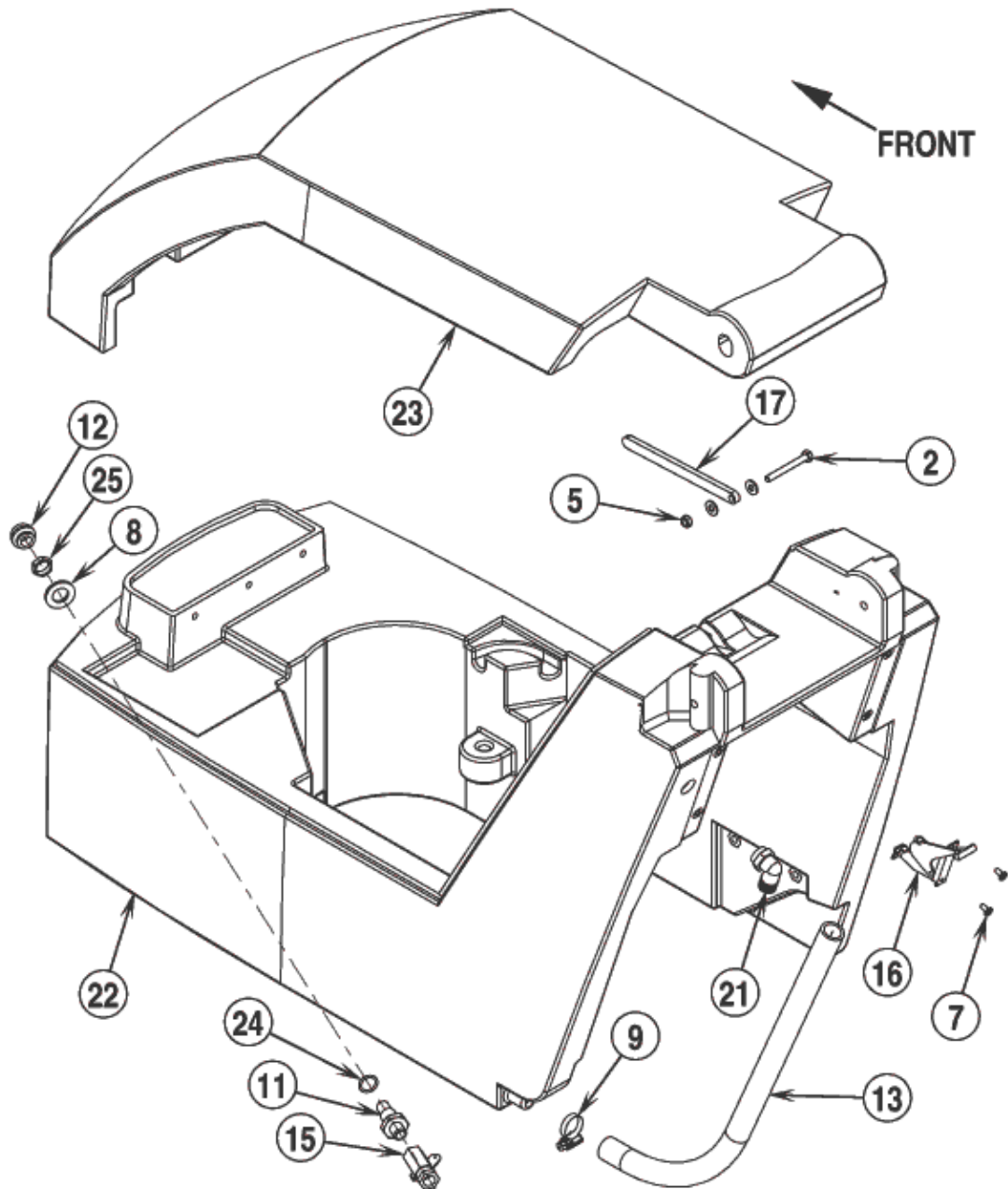
FRISCHWASSERSYSTEM

BA 430

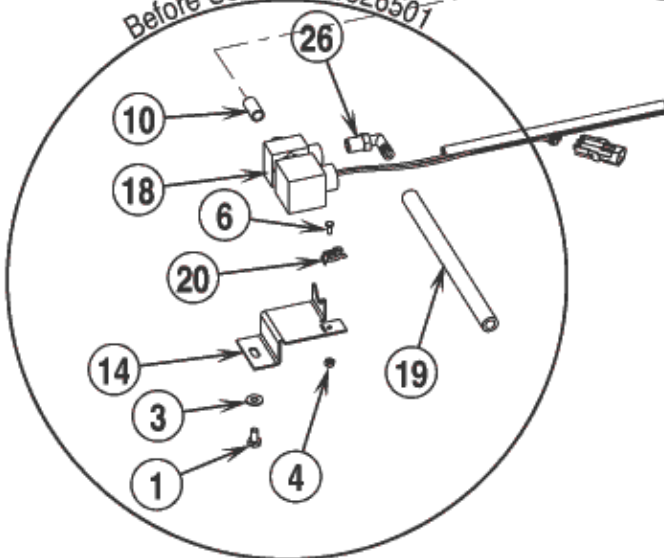
25-02-2015

ET-Liste-Nr. E2617

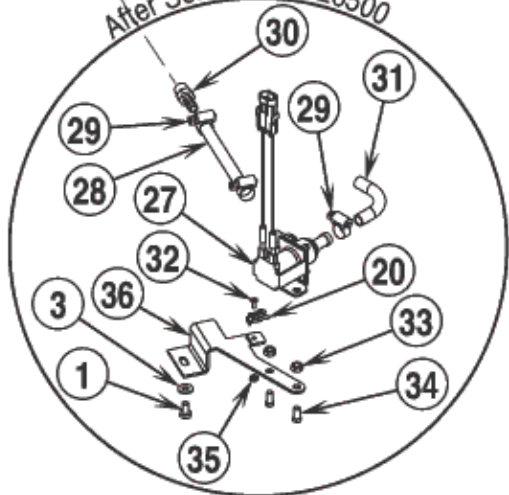
7



Before Serial No. 1526501



After Serial No. 1526500



FRISCHWASSERSYSTEM

BA 430

25-02-2015

ET-Liste-Nr.

E2617

8

Pos	Artikelnr.	Me	Beschreibung
1	56001854	1	SCHRAUBE HEX HD1/4-20X.50
2	56001856	1	SCR HEX HD 1/4-20 X 2.25
3	56002098	3	Scheibe
4	56002830	1	NUT HEX NYL LOC 6-32
5	56002840	1	Nut 1/4 20
6	56003068	1	SCR HEX HD 6-32x.038
7	56009030	2	Schraube 10-2
8	56009218	1	WSH, FLT .688X1.25X1.25
9	56112771	1	CLAMP HOSE SAE 10
10	56150223	1	NIPPLE 1/4 CLOSE BRG14E_E
11	56172075	1	NIPPLE 1/4 NPT X 5/8 18 BRAS
12	56172096	1	Sieb f.Frischwassertank
13	56261262	1	HOSE E00521
14	56302133	1	SOLUTION CABLE BRKT
15	56302158	1	Ventil, 1-Weg f. BA 430
16	56302159	1	Wasserregulierungzu BA 430
17	56302206	1	BAR SUPPORT
18	56302226	1	Magnetventil TSBUS2001-785
18	56324506	1	Wasserventilkitzu BA 650
18	56324507	1	Dichtungskit f. Ventil
19	56249682	1	SCHLAUCH
20	56344265	1	Kabelklammer
21	56456802	1	Winkelracor
22	56302203	1	SOLUTION TANK
23	56302204	1	SOLUTION TANK COVER
24	56742552	1	O-RING -114 NBR 70 2052-5
25	56745860	1	Nut JAM.625-18BR AC5
26	56900036	1	Elbow Barb _E00037
27	56302013	1	Ventilkit TSBUS2001-785
28	56264345	1	HOSE .375 X 10.00 E00169
29	56219932	1	Briede
30	56900034	1	Adapter
31	56302015	1	HOSE PVC 4.0 E00603
32	56002909	1	SCR PAN PHL SS6-32X38
33	56002491	1	Stopmutter 1/4-20
34	56003047	1	SCR HEX SS 1/4-20 X .62
35	56002964	1	NUT HEX NYL LOC THINSS6-32
36	56302009	1	BRACKET CABLE

SCHMUTZWASSERSYSTEM

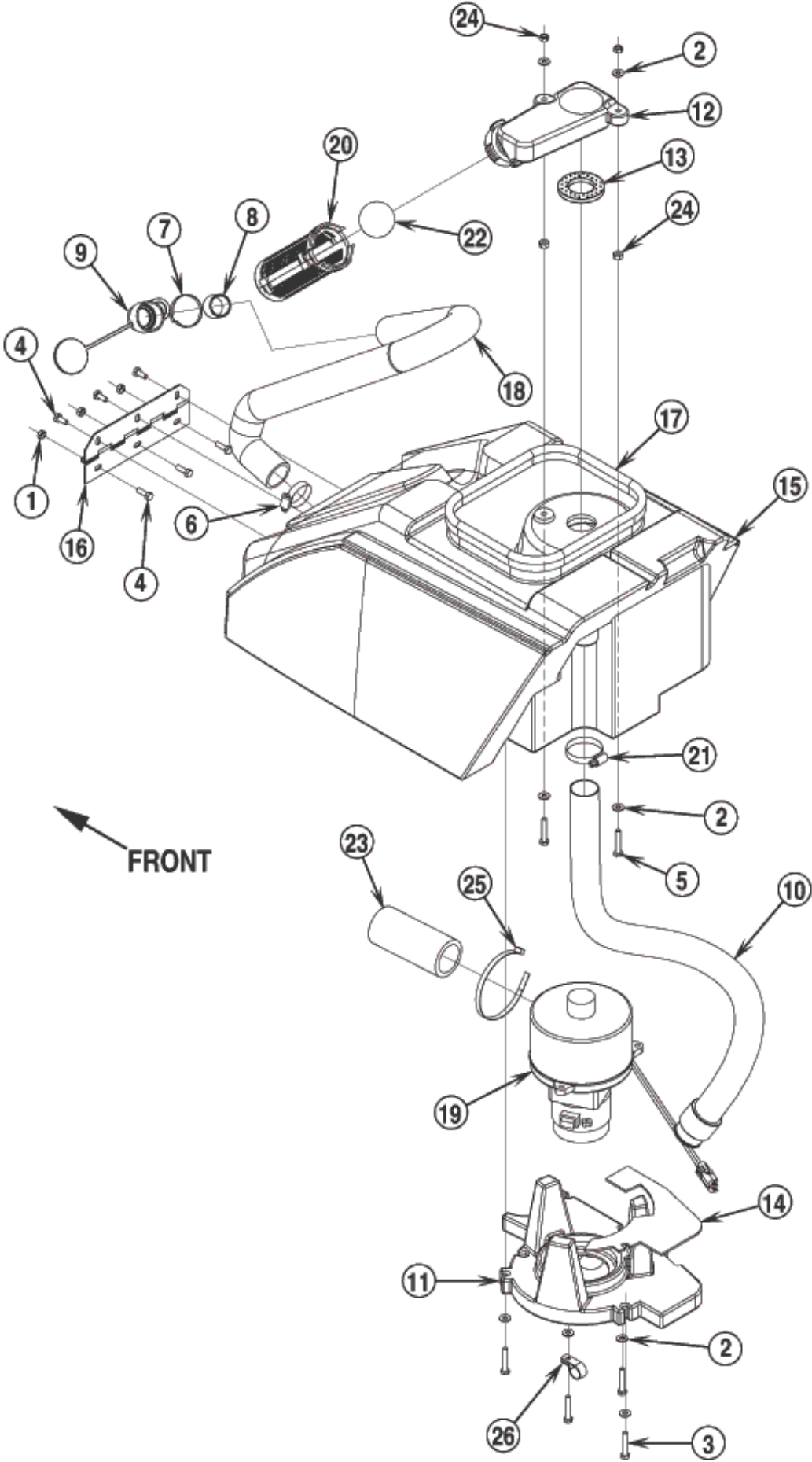
BA 430

25-02-2015

ET-Liste-Nr.

E2619

9



SCHMUTZWASSERSYSTEM

BA 430

25-02-2015

ET-Liste-Nr.

E2619

10

Pos	Artikelnr.	Me	Beschreibung
1	56002491	3	Stopmutter 1/4-20
2	56002859	8	Mutter SS 1/4
3	56002901	4	SCHRAUBE 1/4-20X 1-1/2SS
4	56003047	6	SCR HEX SS 1/4-20 X .62
5	56003125	2	Schraube 1/4-20x1,5
6	56131601	1	CLAMP HOSE SAE 16 _E00047
7	56209547	1	Klammer f. BA 430
8	56261266	1	HUELSE
9	56209506	1	PLUG DRAIN
10	56262574	1	Schlauch
11	56302141	1	VACUUM MOTOR DUCT
12	56302142	1	Schwimmerdeckel BA 430
13	56302165	1	Dichtung BA 650
14	56302182	1	GASKET
15	56302202	1	RECOVERY TANK
16	56302214	1	HINGE
17	56302553	4	Tankdeckeldichtung BA 430
18	56302233	1	Schmutzwasserablauf -
19	56302241	1	FILTER CAPACITOR ASSY
19	56302242	1	VAC MOTOR ASSY
19	56324491	1	MOTOR VAC 24V
19	56409688	2	SPLICE PARALLEL
19	56459263	2	SEAL WEATHERPACK for 56462360
19	56459264	2	TERM.W.P.MALE for 56462360
19	56462360	1	CONN WR PK MALE 2 W
19	56503003	1	Kohle. (Stopp Einkauf)Satz
20	56324497	2	Schwimmgitter zu BA 700
21	56329145	1	BRIEDE
22	56391690	1	Schwimmerball
23	56391807	1	SCHLAUCH
24	56003145	4	Nut 1/4 20
25	56477613	1	Kabelbändli 7x380mm
26	56486112	1	Kabelklammer

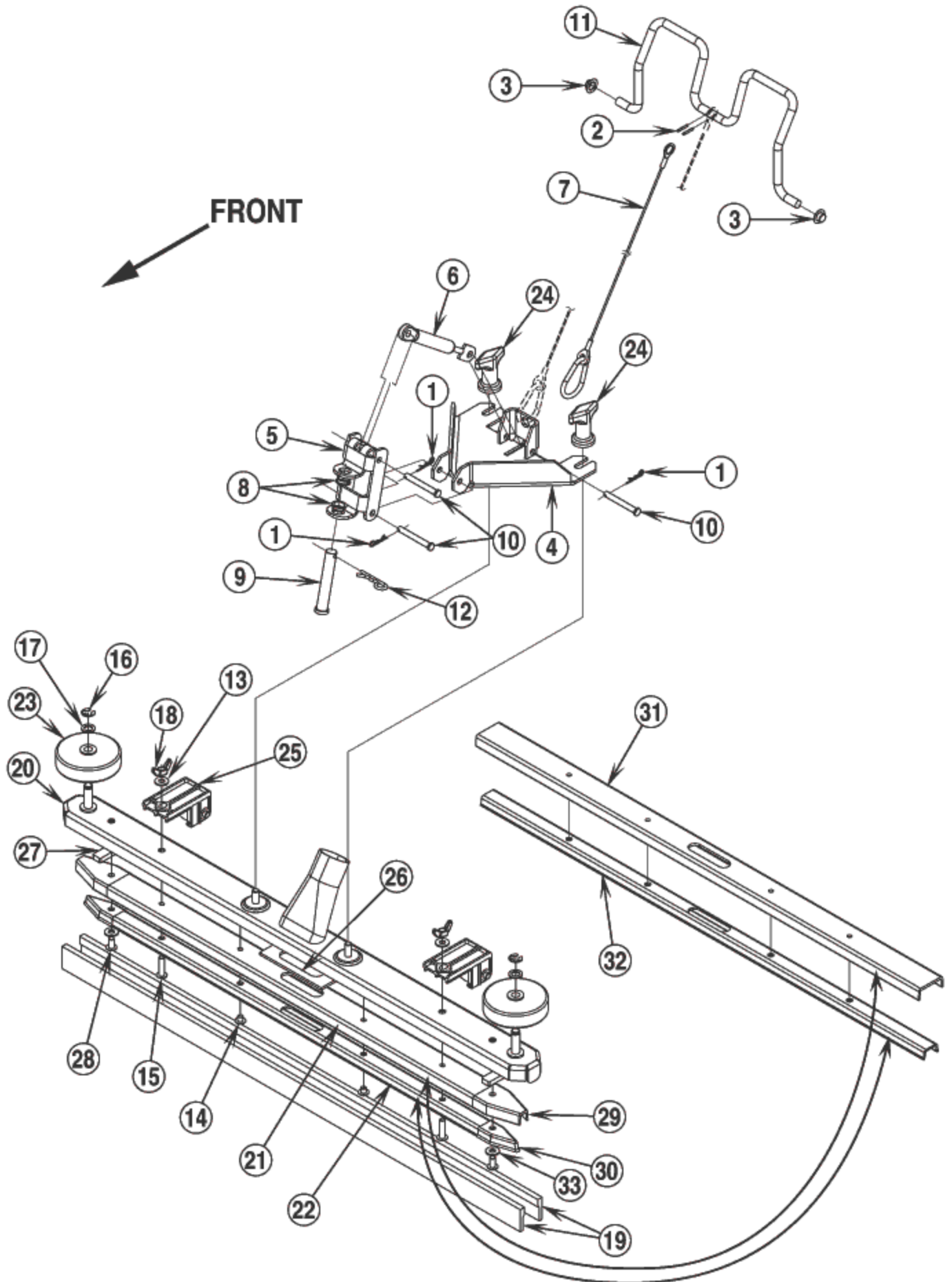
ABSAUGERSYSTEM

BA 430

25-02-2015

ET-Liste-Nr. E26111

11



ABSAUGERSYSTEM

BA 430

25-02-2015

ET-Liste-Nr. E26111

12

Pos	Artikelnr.	Me	Beschreibung	
0	56302197	1	Saugbalken BA 430 old	For machines built before February 2000
0	56302326	1	SQUEEGEE CARTRIDGE ASSY	For machines built after January 2000
1	56003332	3	Pin, Cot Hair .042x.18	
2	56003343	2	PIN SPR .09 X .625	
3	56009123	2	Nut, Push Cap 3/8	
4	56302127	1	Saugf usshalterung BA 430	
5	56302131	1	Halterung BA 430	
6	56302153	1	Gasdruckzylinder zuBA 430	Cylinder
7	56302162	1	CABLE	Squeegee lift
8	56302164	2	Nylonbüchse	
9	56003191	1	"Bolzen 0.5"x3.0"	
10	56003192	3	"Bolzen 0.25"x2.0"	
11	56302190	1	HANDLE	Squeegee lift
12	56003222	1	"Splint 0.125" x 0.5"	
12	56302145	1	Saugbalken BA 430	Pos. 13-30
13	56002098	2	Scheibe	
14	56003037	2	Schraube SS 1/4 - 20X	
15	56003067	2	SCR. PAN PHIL. SS 1/4-20-1.00	
16	56003269	2	RING, RET EXT TYP E REINF	
17	56009047	4	WASHER, FLT	
18	56009048	2	FLUEGELMUTTER 1/4-20Ersetzt durch: 56003	
19	56105569	2	Sauglippe PU	
20	56302146	1	CHANNEL WELDMENT	
21	56302323	1	CHANNEL	
22	56302324	1	RETAINER	
23	56324499	2	Rad 4,00 x 0,781	
24	56370711	2	Mutter	
25	56387376	2	Rollen kompl.	
26	56400613	1	GASKET .12X1.50X4.0	
27	56400614	2	GASKET .25X.50X1.50	
28	56003119	2	SCR PAN PHIL SS 1/4 20 X .50.	
29	56302316	2	SQUEEGEE HOUSING	
30	56302315	2	SQUEEGEE CARTRIDGE END CAP	
31	56302180	1	CHANNEL	before February 2000
32	56302181	1	RETAINER	before February 2000

Pos. 0 - 56302197 - Squeegee Blade Cartridge (for machines built before February 2000) (items 14, 15, 19, 26, 27, 31 & 32)

Pos. 0 - 56302326 - Squeegee Cartridge Assembly (for machines built after January 2000) (items 14, 15, 18,

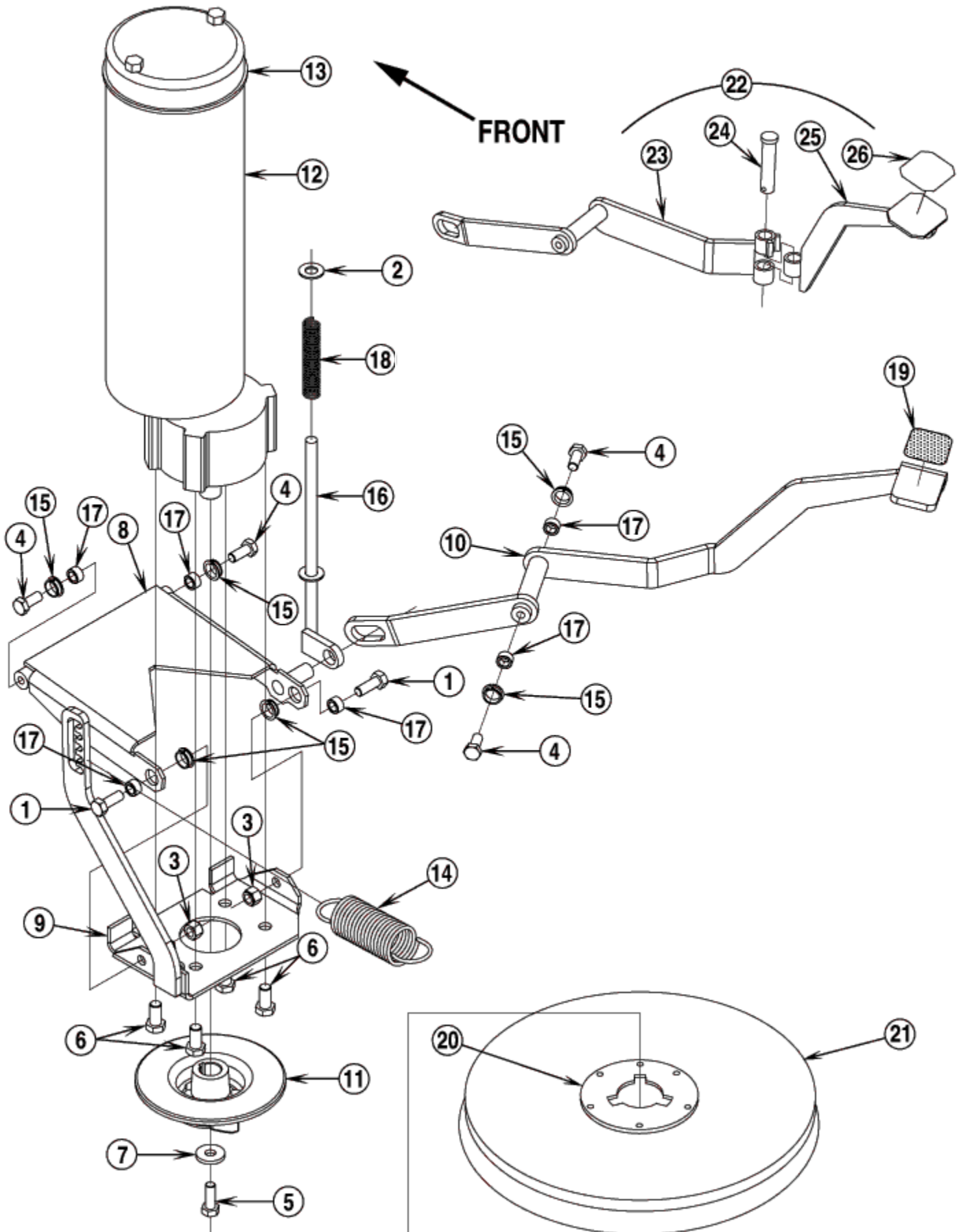
BÜRSTENANTRIEBSSYSTEM

BA 430

25-02-2015

ET-Liste-Nr. E26113

13



BÜRSTENANTRIEBSSYSTEM

BA 430

25-02-2015

ET-Liste-Nr. E26113

14

Pos	Artikelnr.	Me	Beschreibung	
1	56002037	2	SCR HEX 5/16-18 X .88	
2	56002063	1	"U-Scheibe 3/8""	
3	56002701	2	MUTTER 5-16-18 HEX JAM	
4	56002956	4	Schraube HEX LOC 5/16-18	
5	56003335	1	Schraube HEX	
6	56003338	4	Schraube HEX LOC SS3/8	
7	56009122	1	Unterlegscheibe	
8	56302108	1	LINKAGE WELDMENT	
9	56302112	1	MOTOR MOUNT WLDMT	
10	56302321	1	PEDAL ASSEMBLY	Obsolete ordre item 22 to replace
11	56302086	1	LUG PLATE KIT	TSBUS2001-682
12	56302144	1	MOTOR BRUSH DRIVE	
13	56302155	1	GASKET	
14	56302160	1	SPRING EXTENSION	Spring hooks into second notch from bottom a both
15	56302164	6	Nylonbüchse	
16	56302172	1	ROD WELDMENT	
17	56320595	6	BUECHSE	
18	56452141	1	Feder	
19	56302173	1	GRIP SURFACE	
20	56506006	1	Kunststoff aufnahme	Plastic / NP-92
21	56505270	1	PAD HOLDER-17 NP92 LEV SET	
21	56505910	1	Padhalter 430mm	Optional
21	56505913	1	DISC BRUSH-17 AGLITE 3 LUG	
21	56505914	1	Bürste PPN hart, 430mm	
21	56505915	1	Bürste Prolite 430mm	
21	56505916	1	Bürste, Union-Mix	
21	56505917	1	Bürste Midgrit f. BA430	
21	56505918	1	Bürste Sica mittel 430mm	
22	56302321	1	PEDAL ASSEMBLY	after January 2000
23	56302325	1	LOWER PEDAL WELDMENT	
24	56003620	1	Bolzen	
25	56302314	1	UPPER PEDAL WELDMENT	
26	56721255	1	PAD FOOT PEDAL	
28	56009030	1	Schraube 10-2	
29	56009096	1	Scheibe zu BR 1000	
30	56397081	1	Federhalter BA 650	
30	56505780	1	Padhalter 430mm	
30	56505781	1	Bürste Sica hart 400mm	
30	56505782	1	Bürste Sica mittel 400mm	
30	56505783	1	Bürste Sica weich 400mm	
30	56505784	1	Bürste PPN hart 430 mm	
30	56505785	1	Bürste PPN weich 430mm	
30	56505786	1	Bürste Union Mix 430mm	

BÜRSTENANTRIEBSSYSTEM

BA 430

25-02-2015

ET-Liste-Nr. E26113

15

Pos	Artikelnr.	Me	Beschreibung
30	56505787	1	Bürste Midgrit 240, 430 m
30	56505788	1	Sica Bürste 180er Korn

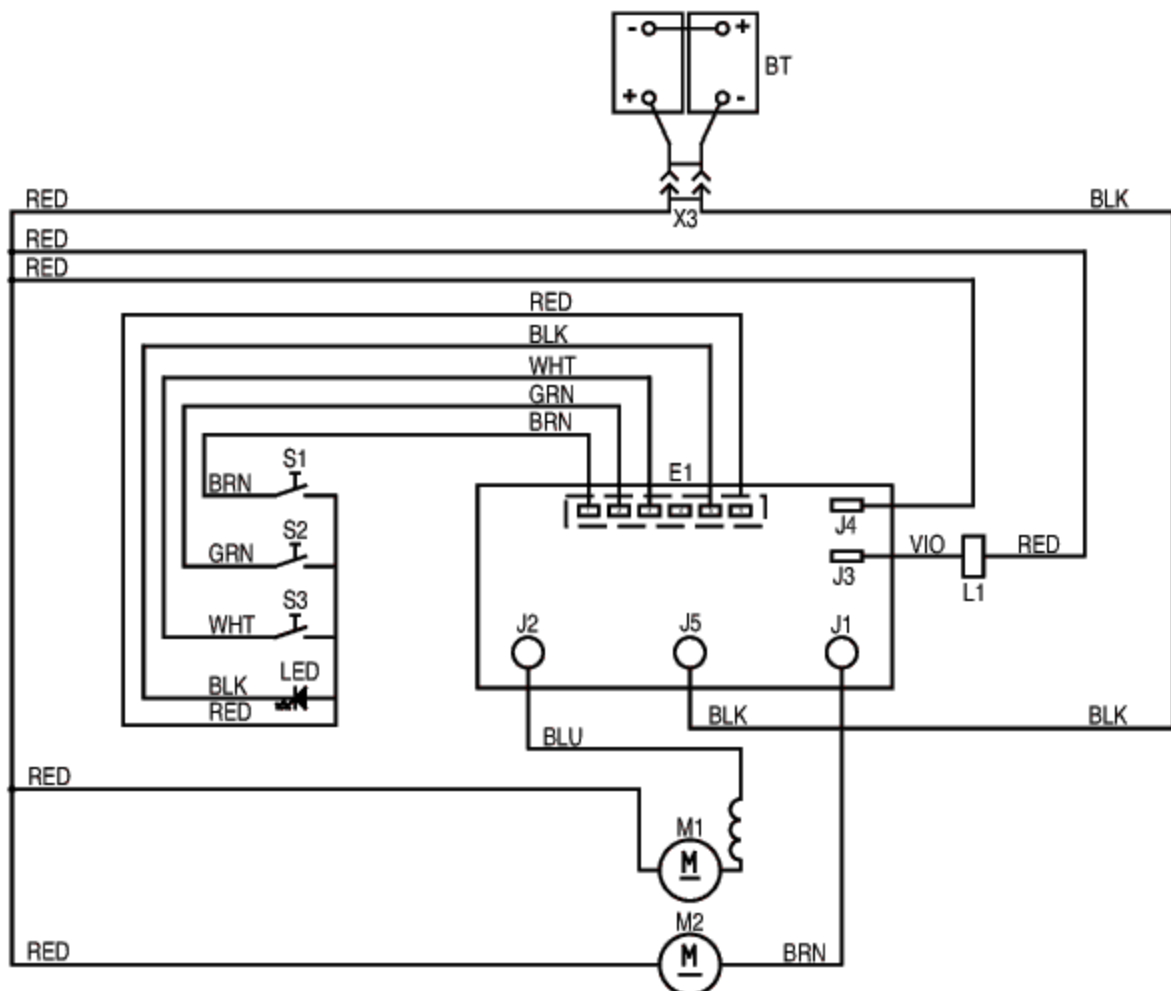
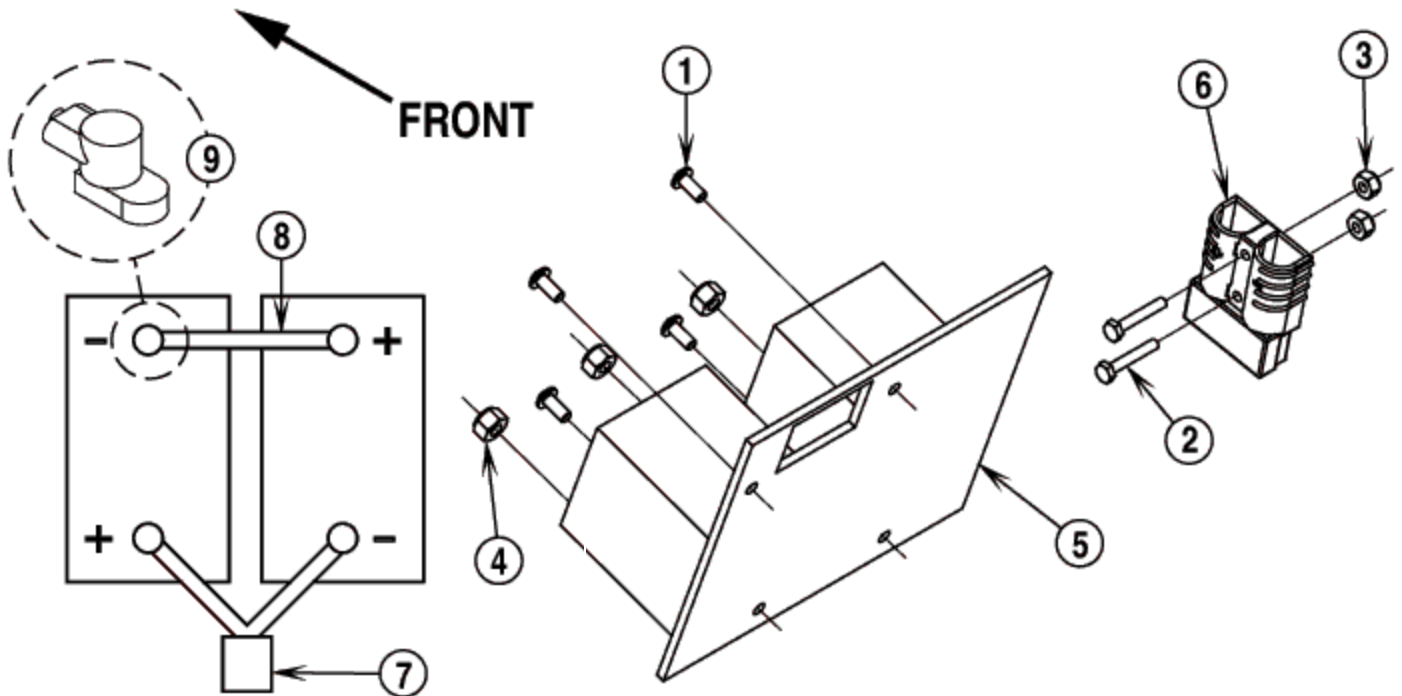
ELEKTROSYSTEM

BA 430

25-02-2015

ET-Liste-Nr. E26115

16



ELEKTROSYSTEM

BA 430

25-02-2015

ET-Liste-Nr. E26115

17

Pos	Artikelnr.	Me	Beschreibung	
1	56009144	4	SCR PAN NYLON SLT 8 32 X.38	
2	56002582	2	SCR HEX 6-32 X .88	
3	56002830	2	NUT HEX NYL LOC 6-32	
4	56002873	3	Mutter HEX NYL LOC 10-32	
5	56302089	1	Eletronikkarte BA 430	TSBUS2001-785
6	56302179	2	BATTERIESTECKER f. BA 430	
6	56324305	1	Verbindungsstecker	Part of Wiring Harness 56302237
7	56302166	2	Kabelschuh f. Stecker	
7	56302174	1	Kabel m.Stecker BA430	w/cables
8	56302225	1	Batteriev erbinder f.	
9	56302194	4	BATTERY INSULATOR CAP	
9	56302198	1	Betriebsstundenzähler	
9	56302237	1	WIRING HARNESS	
E1	56302089	1	Eletronikkarte BA 430	TSBUS2001-785
L1	56302013	1	Ventilkit	after SN1526500 - TSBUS2001-785
L1	56302226	1	Magnetventil	before SN1526501 - TSBUS2001-785
M1	56324489	1	VAC MOTOR ASSEMBLY	
M2	56302144	1	MOTOR BRUSH DRIVE	
X3	56302179	2	BATTERIESTECKER f. BA 430	
X3	56324305	1	Verbindungsstecker	Part of Wiring Harness 56302237
LED	56302240	1	LED INDICATOR ASSY	Low battery

BÜRSTEN-/SCHEIBENWÄHLER

BA 430

25-02-2015

ET-Liste-Nr.

E26116

18



BÜRSTEN-/SCHEIBENWÄHLER

BA 430

25-02-2015

ET-Liste-Nr. E26116

19

Pos	Artikelnr.	Me	Beschreibung
0	56105569	1	Sauglippe PU
0	56302205	1	Spritzgummi für BA 430
0	56505270	1	PAD HOLDER-17 NP92 LEV SET
0	56505910	1	Padhalter 430mm
0	56505911	1	DISC BRUSH-17 MAGNAGRIT 3 LUG
0	56505912	1	DISC BRUSH-17 DYNAGRIT CLUTCH
0	56505913	1	DISC BRUSH-17 AGLITE 3 LUG
0	56505914	1	Bürste PPN hart, 430mm
0	56505915	1	Bürste Prolite 430mm
0	56505916	1	Bürste, Union-Mix
0	56505917	1	Bürste Midgrit f. BA430
0	56505918	1	Bürste Sica mittel 430mm

Material composition

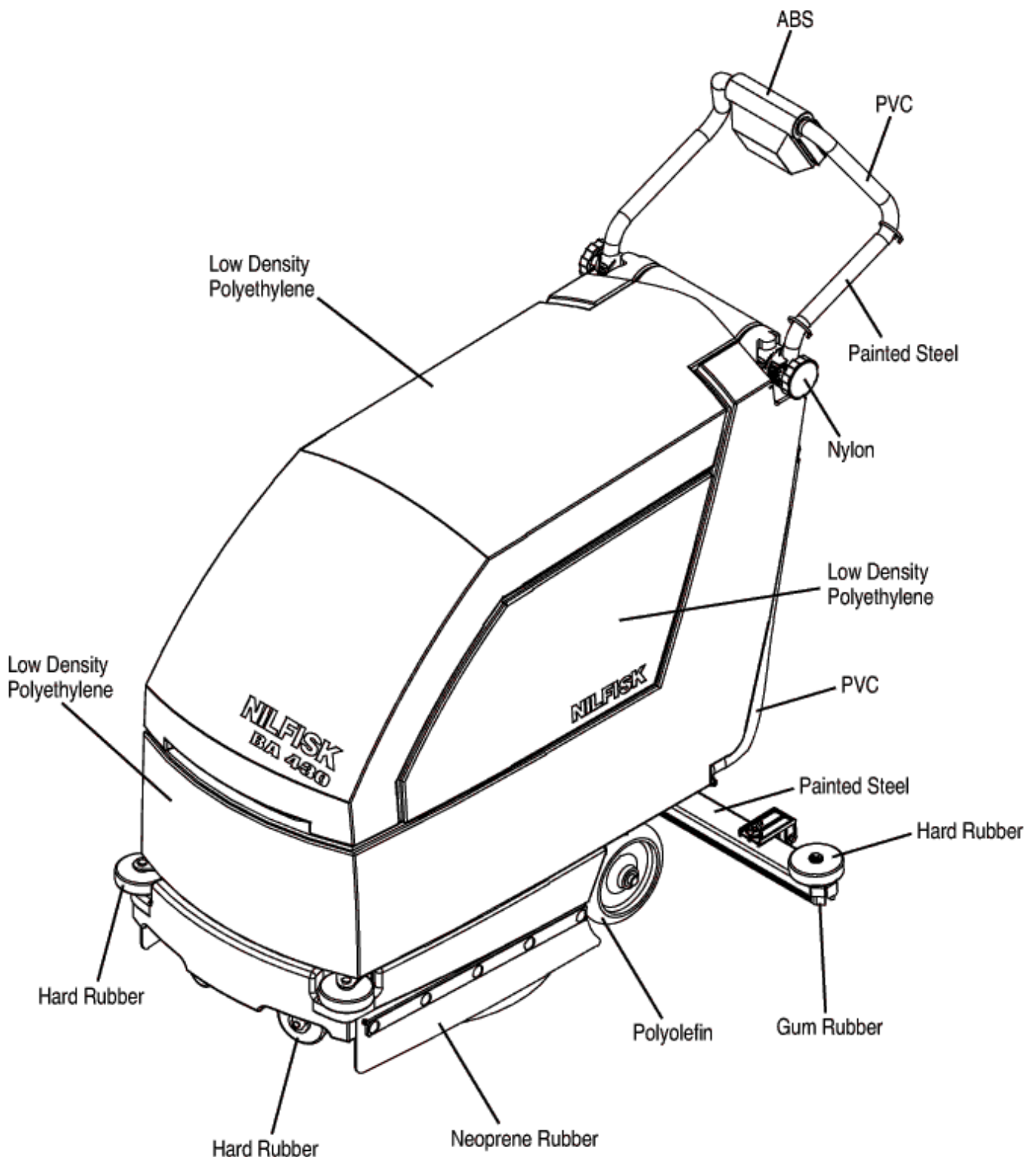
BA 430

25-02-2015

ET-Liste-Nr.
BA430MATERIAL

20

Material composition of the Nilfisk BA 430



Material composition

BA 430

25-02-2015

ET-Liste-Nr.
BA430MATERIAL

21

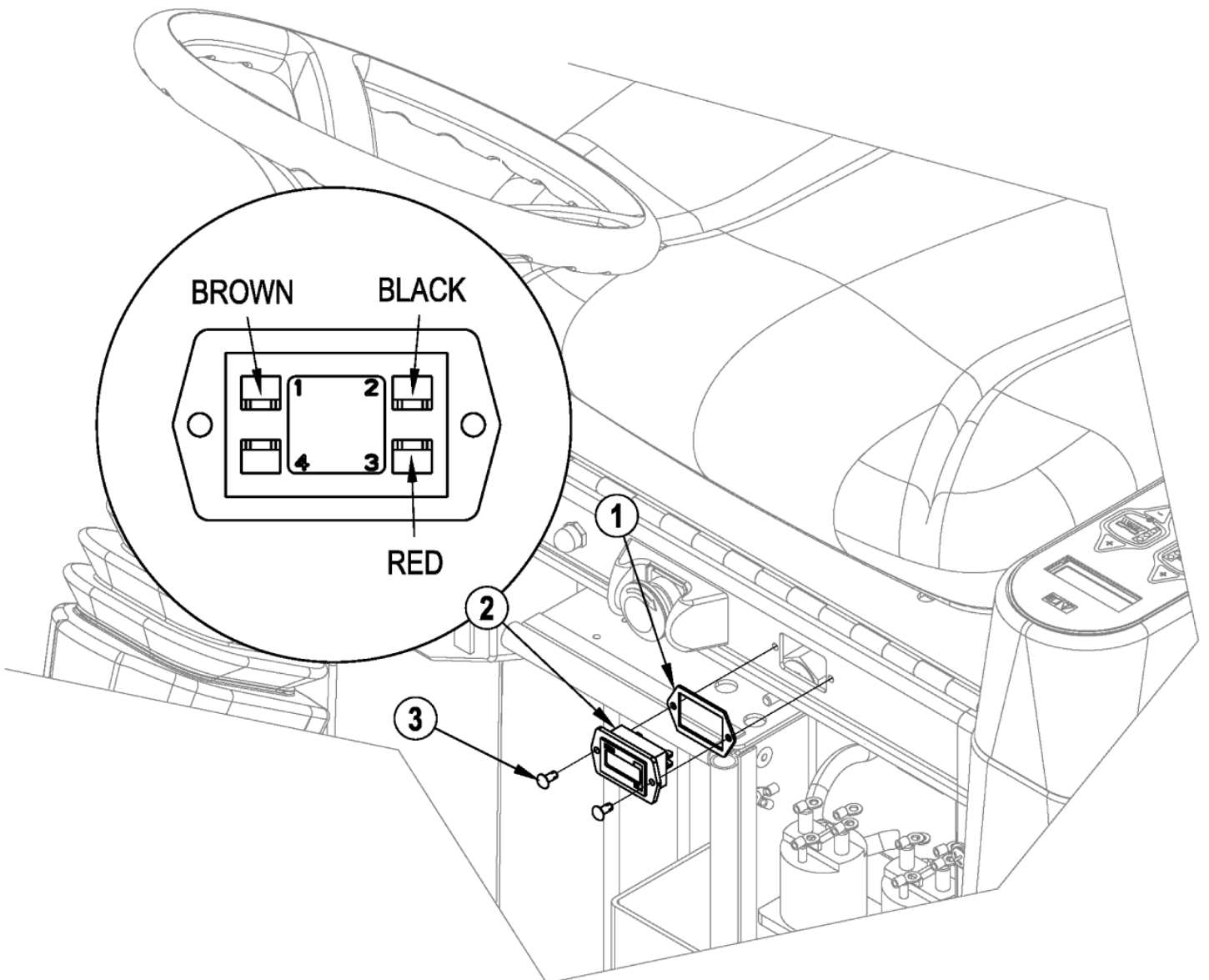
56302198 - Hour Meter Kit

BA 430

25-02-2015

ET-Liste-Nr.
IS56040583

22



56302198 - Hour Meter Kit

BA 430

25-02-2015

ET-Liste-Nr.
1S56040583

23

Pos	Artikelnr.	Me	Beschreibung
1	56392845	1	Dichtung f.Ladekontrolle
2	56393718	1	STUNDENZAehler
3	56009192	2	RIVET PUSH NYLON BLACK