

UB 624 Euroclean

Model:
UB 624 EUROCLEAR



Part List US-English

13-02-2015

Table of Contents

UB 624 Euroclean

HANDLE LINE DRAWING	3
BASE PART LINE DRAWING	6
NOISE DAMPER LINE DRAWING	9
TANK BODY PART NUMBERS	11
PAD	13

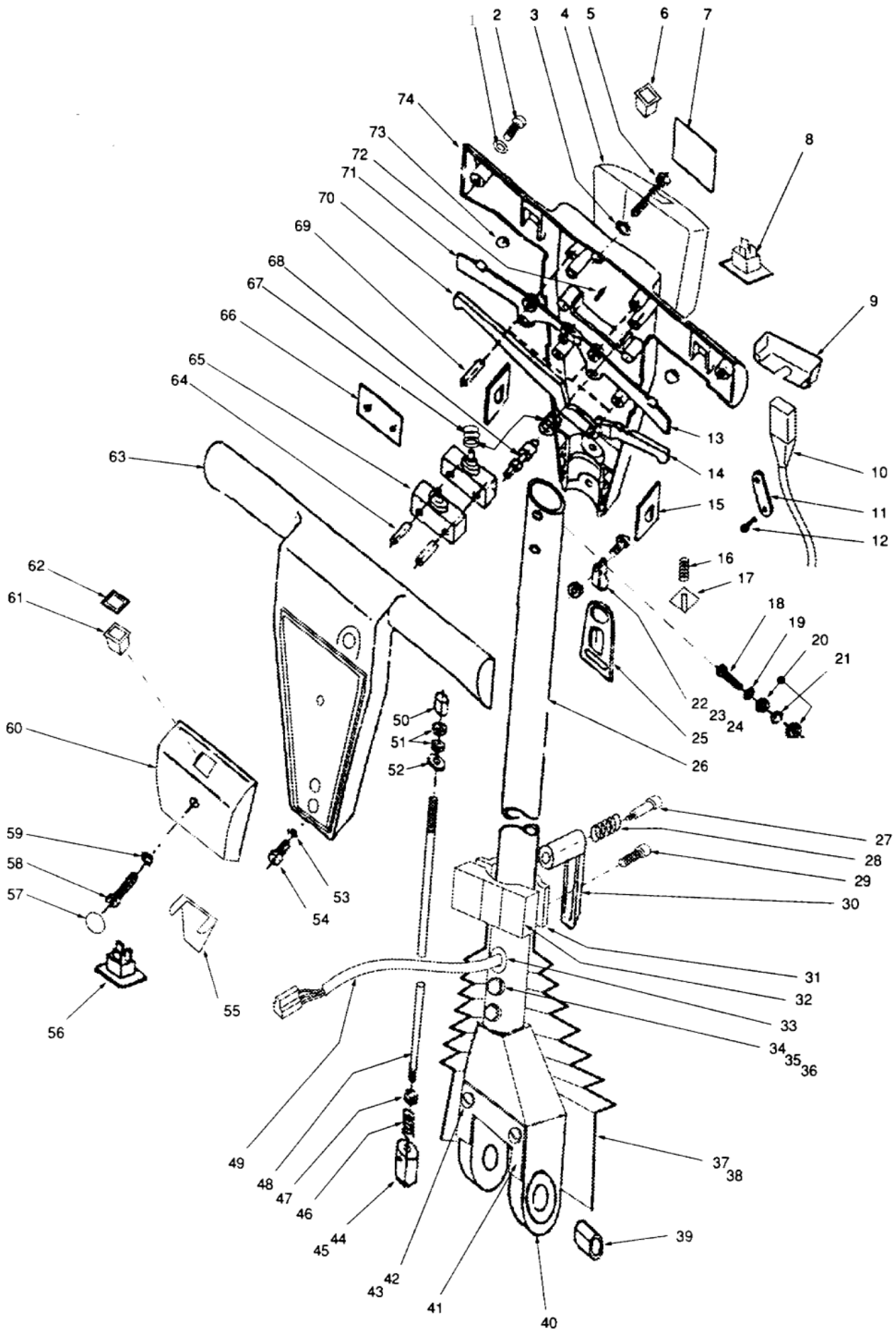
HANDLE LINE DRAWING

UB 624 Euroclean

13-02-2015

Part List ID D2612

3



HANDLE LINE DRAWING

UB 624 Euroclean

13-02-2015

Part List ID

U2612

4

Pos	Part no.	Qty	Description	
1	143 2953 000	1	WASHER M5	
2	143 3515 000	1	SCREW M5X20 PH STL Z	
3	143 2953 000	1	WASHER M5	
4	142 2847 000	1	CONTROL EXTENSION BOX	
5	143 3516 000	1	SCREW M5X35	
6	142 2841 000	1	NEON INDICATOR GREEN	
8	142 2853 000	1	INLET PLUG 16A	
9	142 2848 000	1	LOWER COVER	
11	056 1014 060	1	ANTI-STRAIN CLIP BLACK	Machine outphased 2005
12	143 3504 000	1	SCREW M4X10 PH STL Z	
13	142 2850 000	1	SWITCH LEVER. LEFT	
14	142 2884 000	1	ACCESSORY LEVER	
15	142 2796 000	1	PLATE	
16	142 2797 000	1	SPRING	
17	142 2795 000	1	SPRING PLATE	
18	143 2941 000	1	SCREW M4X16 PH STL Z	
19	143 2374 000	1	WASHER M4 SHKPRF INT STL	
20	143 2120 000	1	NUT M4 FULL HEX STL Z	
21	143 2374 000	1	WASHER M4 SHKPRF INT STL	
22	143 3516 000	1	SCREW M5X35	
23	142 2895 000	1	P-CLIP	
24	143 3502 000	1	NUT M5 FULL HEX STL Z	
25	142 2857 000	1	CABLE RESTRAINT	
26	142 2838 000	1	HANDLE TUBE SUBASSEMBLY	
27	143 3519 000	1	SCREW M6 SHOULDER 8 X 30	
28	142 2858 000	1	SPRING	
29	143 2306 000	1	BOLT M6X30 CAP STL Z	
30	142 2859 000	1	FLEXIBLE HOOK.	
31	142 2792 000	1	HOOK HOLDER	
32	142 2598 000	1	HOOK HOLDER	
33	143 2994 000	1	GROMMET	
34	143 1062 000	1	SCREW M8 X 16 HEX STL Z	
35	143 2367 000	1	WASHER M8 SC SPSTL.Z	
36	143 2173 000	1	WASHER M8 PLAIN STL Z FOR	
38	142 1887 000	1	VELCRO FASTENER SET	
39	142 2872 000	1	FORK PIVOT BUSH	
41	142 2791 000	1	HANDLE STOP PLATE	
42	143 3500 000	1	SCREW M6 X 12 HEX STL Z	
43	143 2945 000	1	WASHER M6 SC SPSTL Z	
44	142 2842 000	1	GEAR	
45	143 3501 000	1	SCROLL PIN 3X10	
46	142 2844 000	1	SPRING	
47	143 3502 000	1	NUT M5 FULL HEX STL Z	

HANDLE LINE DRAWING

UB 624 Euroclean

13-02-2015

Part List ID

U2612

5

Pos	Part no.	Qty	Description
48	142 2843 000	1	GEAR LEVER
49	142 2840 000	1	HANDLE LED SUB-ASSEMBLY-2
50	142 2887 000	1	LOCK
51	143 3502 000	1	NUT M5 FULL HEX STL Z
52	143 1052 000	1	WASHER M5 PLAIN STL Z FOR
53	143 2373 000	1	WASHER M6
54	143 2315 000	1	SCREW M6X16
56	142 2621 000	1	ACCESSORY SOCKET A6 IEC
57	143 3518 000	1	HOLE PLUG BLACK
58	143 3517 000	1	SCREW M5X45
59	143 2953 000	1	WASHER M5
60	142 2847 000	1	CONTROL EXTENSION BOX
61	140 5496 510	1	SWITCH UL KIT
62	140 5497 000	1	SWITCH PROTECTION
63	82333100	1	CONTROL BOX FRONT
64	142 2883 000	1	PIN
65	142 2881 000	1	SWITCH 10A
66	142 2882 000	1	SPACER
67	142 2888 000	1	SPRING
68	142 2889 000	1	SWITCH LOCK BUTTON
69	142 2875 000	1	PIN
70	142 2885 000	1	HANDLE ADJ. LEVER.
71	142 2851 000	1	SWITCH LEVER RIGHT
72	143 3503 000	1	PIN TENSION 5 X 20
73	142 2890 000	1	STEEL BALL
74	82333200	1	CONTROL BOX REAR

BASE PART LINE DRAWING

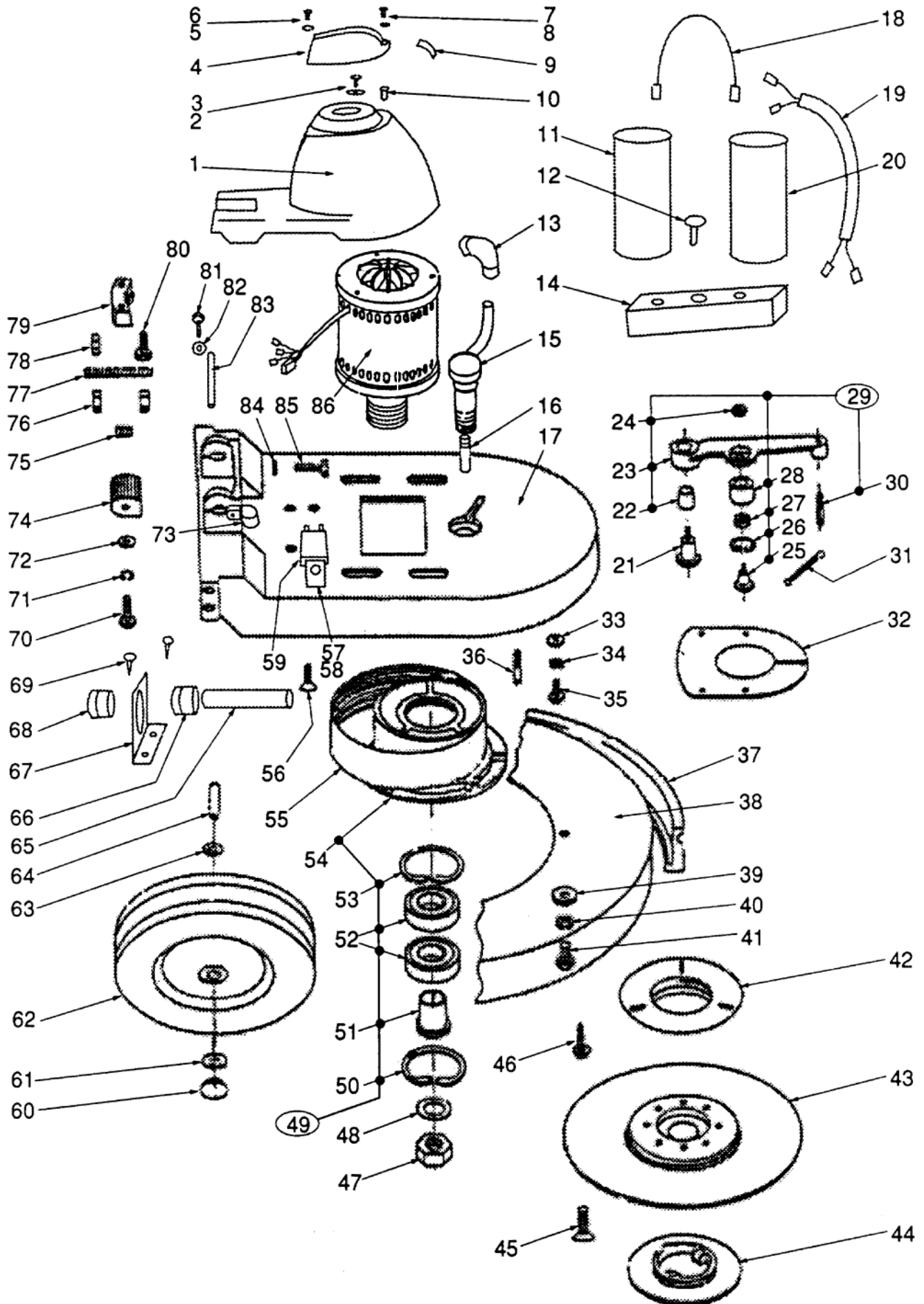
UB 624 Euroclean

13-02-2015

Part List ID

D2614

6



BASE PART LINE DRAWING

UB 624 Euroclean

13-02-2015

Part List ID

U2614

7

Pos	Part no.	Qty	Description
1	142 2831 010	1	MOTOR COVER
2	143 1054 000	1	WASHER 1/4 X 3/4
3	143 3528 000	1	M6 X 12 THREAD FORMING SC
4	142 2832 000	1	FAN COVER
5	143 3513 000	1	WASHER M5X20
7	143 3521 000	1	M4X12 STAINLESS STEEL POZI PAN SCREW
8	143 3522 000	1	M4 PLAIN BLACK WASHER
10	143 3511 000	1	RAWL NUT M4
11	142 2896 000	1	START CAPACIT.140/175UFOR 2
12	143 3528 000	1	M6 X 12 THREAD FORMING SC
14	142 2829 000	1	CONDENSER HOLDER
15	142 2826 010	1	SPECIAL U.H.S SPINDLE
16	142 2827 000	1	PIPE
17	142 1867 000	1	BASE CASTING SUBASSEMBLY
20	142 2897 010	1	CAPACITOR. RUN - 240V
20	82337300	1	MOTOR RUN CAPACITOR 220 V
21	142 1880 000	1	PIVOT BOLT
22	142 1879 000	1	BEARING
23	142 1876 000	1	BELT TENSION LEVER
24	143 1043 000	1	NUT M8 HALF HEX STL Z
25	142 1878 000	1	TENSION LEVER BOLT
26	143 3548 000	1	CIRCLIP
27	142 1877 000	1	BEARING
28	142 1875 000	1	BELT TENSION ROLLER
29	142 1874 000	1	BELT TENSION ASSY.
30	142 1873 000	1	SPRING RETAINING PIN
31	142 3113 000	1	BELT TENSION SPRING
33	143 3545 000	1	WASHER M8. PLAIN
34	143 2378 000	1	WASHER M8.SHAKE PROOF
35	143 2228 000	1	SCREW M8 X 20 HEX STL Z
36	142 1873 000	1	SPRING RETAINING PIN
37	142 3118 000	1	BUMPER UB 622/24.
38	142 3116 000	1	BRUSH COVER UB622
39	143 1054 000	1	WASHER 1/4 X 3/4
40	143 2945 000	1	WASHER M6 SC SPSTL Z
41	143 2967 000	1	M6 X 20 LG HEX HD SCREW
42	82335900	1	PAD LOCK.DEVICE CENTRE.
43	82335800	1	PAD DRIVER ASSEMBLY
44	56393567	1	RETAINER PAD
45	143 3556 000	1	SCREW M6X25 CS HEX SKT ST
47	143 3549 000	1	M20 FULL NUT
48	143 3562 000	1	M20 INT. SHAKEPROOF WASHE
49	142 3106 000	1	PULLEY CPL. UB624

BASE PART LINE DRAWING

UB 624 Euroclean

13-02-2015

Part List ID

U2614

8

Pos	Part no.	Qty	Description
50	143 3558 000	1	CIRCLIP
51	142 3112 000	1	BEARING SLEEVE
52	143 1224 000	1	BEARING
53	143 3558 000	1	CIRCLIP
54	142 3109 000	1	STRAP WHEEL
55	142 1881 000	1	BELT
57	142 2814 000	1	BRACKET
58	143 2333 000	1	SCREW NO 6 X 10 ST PH STL
59	142 3115 010	1	OVERLOAD TRIP 10A -240V
59	142 3115 020	1	OVERLOAD TRIP 15A -220V
60	142 1278 000	1	HUB CAP
61	143 3554 000	1	WASHER 1/2
62	142 2532 010	1	WHEEL 8.
63	143 2913 000	1	WASHER 1/2X3MM
64	142 1884 000	1	WHEEL HANDLEBAR.
65	143 3563 010	1	NYLON HOSE 8X360MM
66	142 2823 000	1	HOSE COUPELER MALE 1/4 BSP
67	142 2813 000	1	HOSE COUPELER BRACKET
68	142 2824 000	1	HOSE COUPELER FEMALE 1/4
69	143 2333 000	1	SCREW NO 6 X 10 ST PH STL
70	143 3551 000	1	SCREW M8X25
71	143 2378 000	1	WASHER M8.SHAKE PROOF
72	143 3545 000	1	WASHER M8. PLAIN
73	143 3552 000	1	P CLIP
74	142 3114 000	1	HANDLE LOCK
75	143 2320 000	1	M6 X 8 LG SOCKET GRUB SCR
76	143 2118 000	1	NUT M8 FULL HEX STL Z
77	142 1869 000	1	MOTOR ADJUSTING STUD
78	143 1043 000	1	NUT M8 HALF HEX STL Z
79	142 1870 000	1	MOTOR ADJUSTING BLOCK
80	143 2228 000	1	SCREW M8 X 20 HEX STL Z
81	143 3553 000	1	M5 X 10 THREAD FORMING BO
82	143 1054 000	1	WASHER 1/4 X 3/4
83	142 2819 000	1	FORK PIVOT SHAFT
84	143 2378 000	1	WASHER M8.SHAKE PROOF
85	143 3551 000	1	SCREW M8X25
86	142 1898 010	1	MOTOR 240V. UB624
86	82337200	1	MOTOR 220 V 50 HZ 1.3 KW

NOISE DAMPER LINE DRAWING

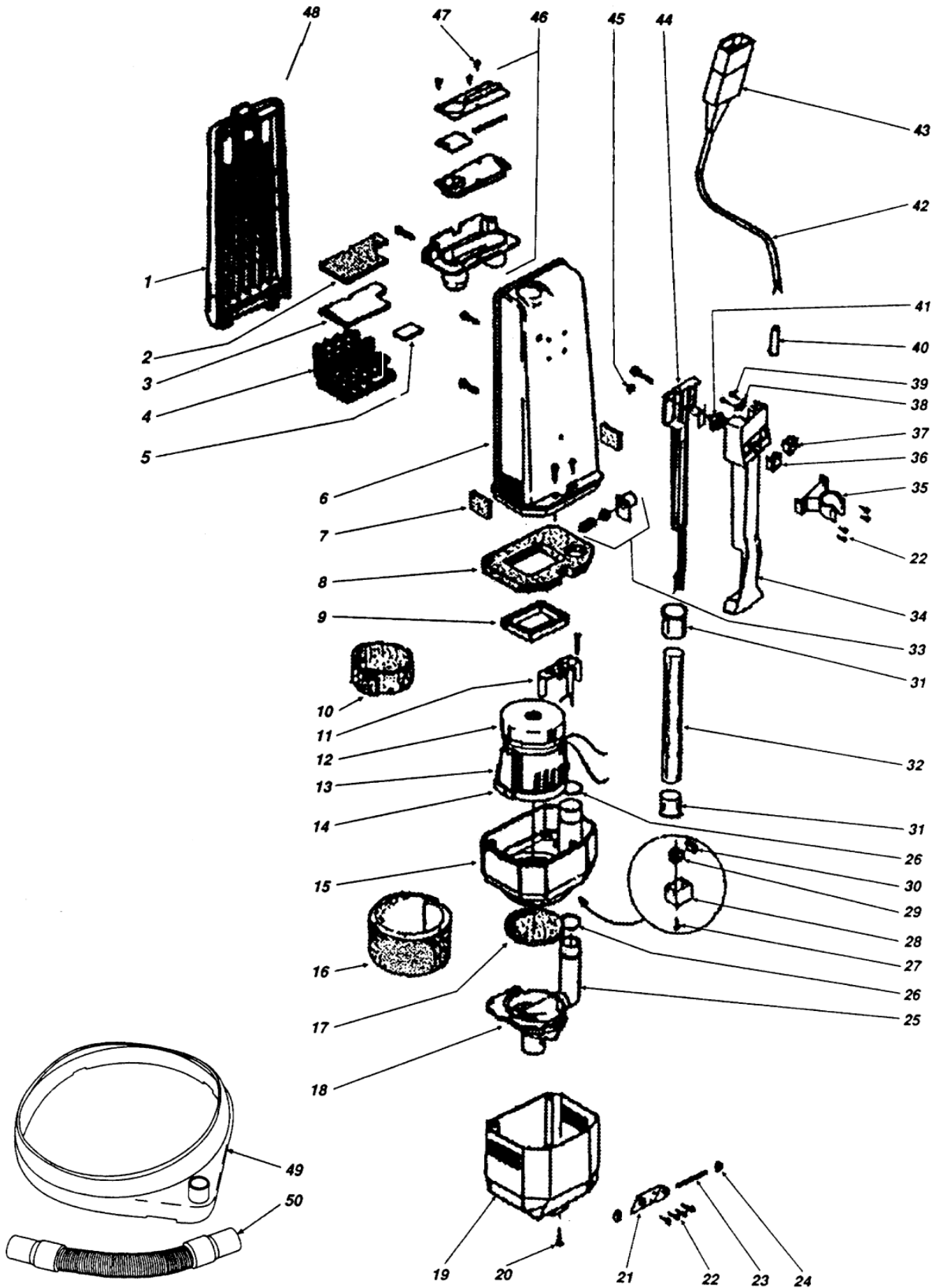
UB 624 Euroclean

13-02-2015

Part List ID

D2616

9



NOISE DAMPER LINE DRAWING

UB 624 Euroclean

13-02-2015

Part List ID U2616

10

Pos	Part no.	Qty	Description
1	142 3202 000	1	LID FOR DUST CONTAINER
3	142 3204 010	1	MICRO FILTER 1 PCE
14	142 3213 000	1	GASKET
21	142 2613 000	1	MOUNTING BRACKET
22	143 3505 000	1	SCREW UB620/22/24
23	142 2582 000	1	SPINDLE UB620/22/24
24	143 2958 000	1	M6 CAPPED STARLOC FIX UB6
26	56646898	1	GASKET
31	142 3299 000	1	HOSE CONNECTION UB 620/22
37	140 5496 510	1	SWITCH UL KIT
50	142 3102 000	1	VACUUM HOSE
50	82040500	1	DUST BAG 5-PCS

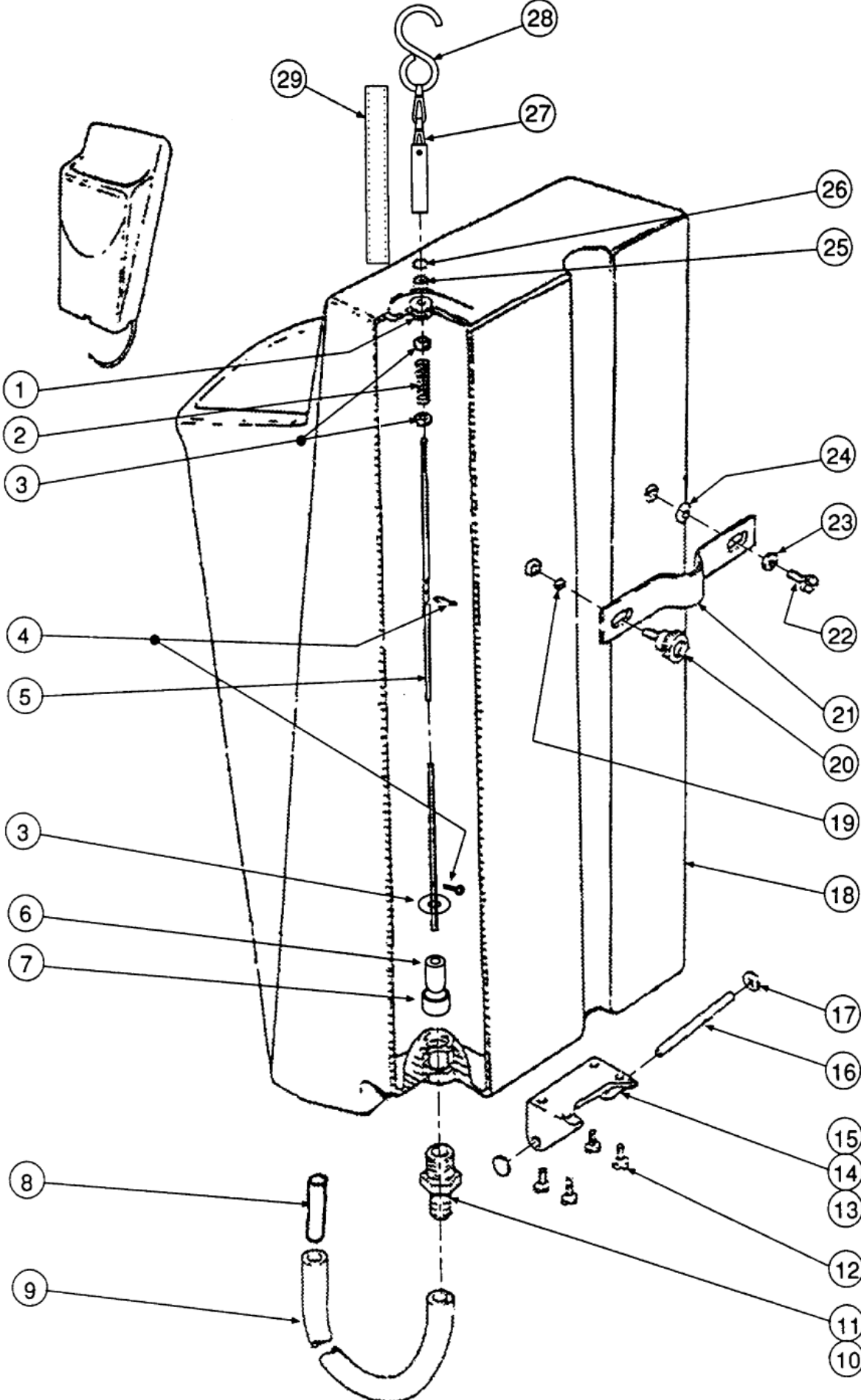
TANK BODY PART NUMBERS

UB 624 Euroclean

13-02-2015

Part List ID
D2618

11



TANK BODY PART NUMBERS

UB 624 Euroclean

13-02-2015

Part List ID
D2618

12

Pos	Part no.	Qty	Description
4	143 3566 000	1	SPLIT PIN 1/16X1/2.BRASS
5	142 3130 000	1	VALVE ROD STAINLESS STEEL
6	56051209	1	RUBBER TIP-BLACK
7	56051208	1	TUBE VINYL .375X.500 .25L
8	142 2810 000	1	HOSE SPIGOT
11	142 1089 010	1	HOSE ADAPTER
13	142 2613 000	1	MOUNTING BRACKET
16	142 2582 010	1	SPINDLE
17	143 2958 000	1	M6 CAPPED STARLOC FIX UB6
18	142 3134 000	1	TANK BODY
21	142 1093 010	1	TANK CLAMP
24	143 2158 000	1	RUBBER GROMMET
27	142 2808 000	1	TANK CONTROL ADJUSTER ASSY
28	142 2805 000	1	CONTROL HOOK
29	142 2809 040	1	CONTROL HOSE SILICONE RUB.

PAD

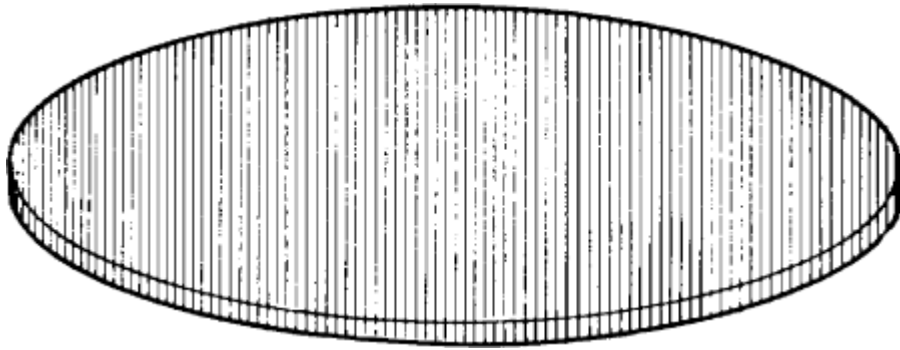
UB 624 Euroclean

13-02-2015

Part List ID

D26110

13



PAD

UB 624 Euroclean

13-02-2015

Part List ID U26110

14

Pos	Part no.	Qty	Description
0	10001936	1	PAD 17 432MM ECO WHITE 5PCS
0	10001939	1	PAD 17 432MM ECO BLUE 5PCS
0	10001941	1	PAD 17 432MM ECO RED 5PCS
0	10001971	1	PAD 17 432MM ECO BROWN 5PCS