

TERRA 802

Model:
TERRA



Part List US-English

06-02-2015

Table of Contents

TERRA 802

Cabinet	3
Roller brushes	5
Wheel	7
Side brush Left	9
Side brush right	11

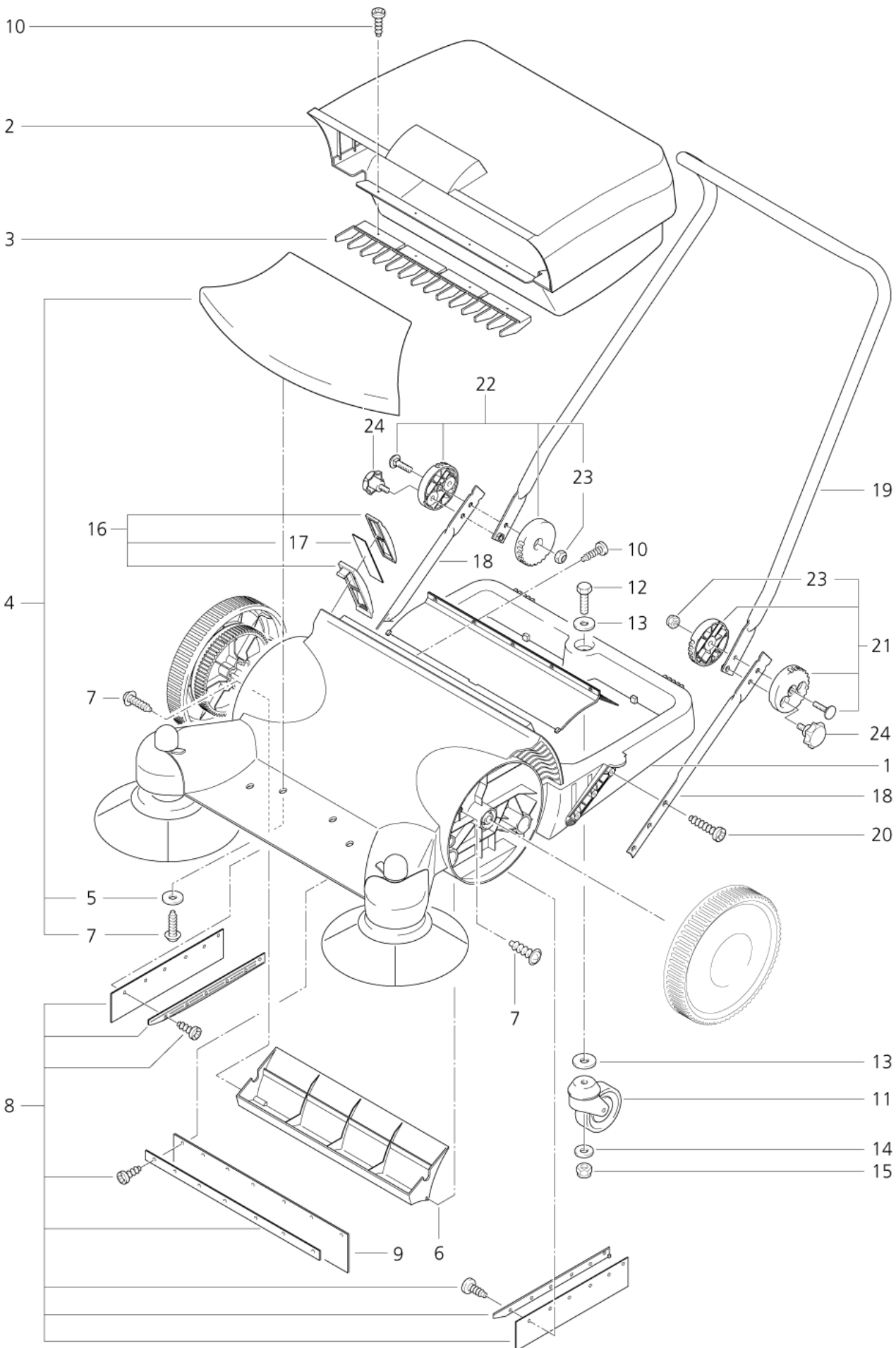
Cabinet

TERRA 802

06-02-2015

Part List ID
TERRA80202

3



Cabinet

TERRA 802

06-02-2015

Part List ID
TERRA80202

4

Pos	Part no.	Qty	Description
1	60491	1	BASE FRAME
2	67065	1	CONTAINMENT SHELL
3	60489	1	RAKE
4	60493	1	COVER SET
6	60487	1	DEFLECTOR TERRA 802
7	10029	1	SCREW KA M5X25
8	60492	1	DIRT PAN
9	60496	1	DIRT PAN
10	5190	1	TREAD-CUTTING SCREW 4.8X13 C-H ISO 7049
11	7291	1	GUIDE ROLLER
15	8952	1	HEX M10 LOCK NUT NYLON INSERT ISO 10511
16	60495	1	FILTER CASSETTE
17	60494	1	FILTER PAPER
19	60485	1	BOW
20	34716	1	TREAD-CUTTING SCREW 6.3X25 C-H ISO 7049
21	60498	1	PIVOT JOINT LEFT
22	60497	1	PIVOT JOINT RIGHT
24	1053	1	STAR KNOB M8X20 DIN 6336A ST/ZN

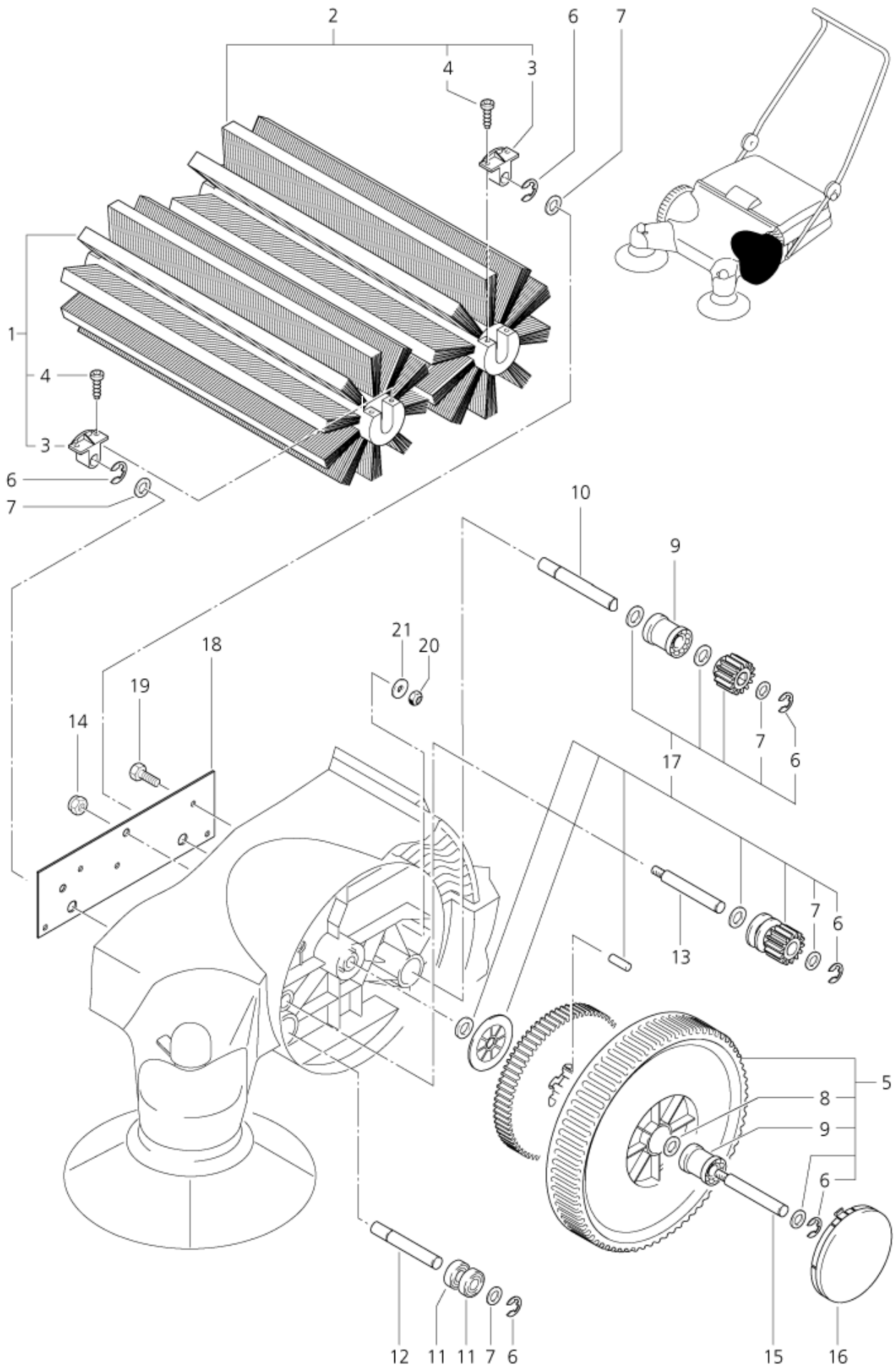
Roller brushes

TERRA 802

06-02-2015

Part List ID
TERRA80204

5



Roller brushes

TERRA 802

06-02-2015

Part List ID
TERRA80204

6

Pos	Part no.	Qty	Description
1	60500	1	ROLLER BRUSH
2	60501	1	ROLLER BRUSH
3	60510	1	DRIVE
4	3351	1	TREAD-CUTTING SCREW 3.5X16 C-H ISO 7049
5	67067	1	WHEEL
6	8878	1	LOCK WASHER M10X1 DIN 471 ZN
7	60499	1	WASHER
9	60511	1	BEARING
10	60508	1	SHAFT DIA. 12X 92
11	20938	1	BEARING WAS 2809
12	60507	1	HANDLEBAR Ø 12X 47 TERRA 802
13	60509	1	HANDLEBAR Ø 12X 80
14	15808	1	HEXAGON NUT
15	60506	1	HANDLEBAR Ø 12X 98
16	67066	1	COVER
17	60505	1	GEAR WHEEL left
18	60504	1	PLATE BL.2.0X250X80 TERR

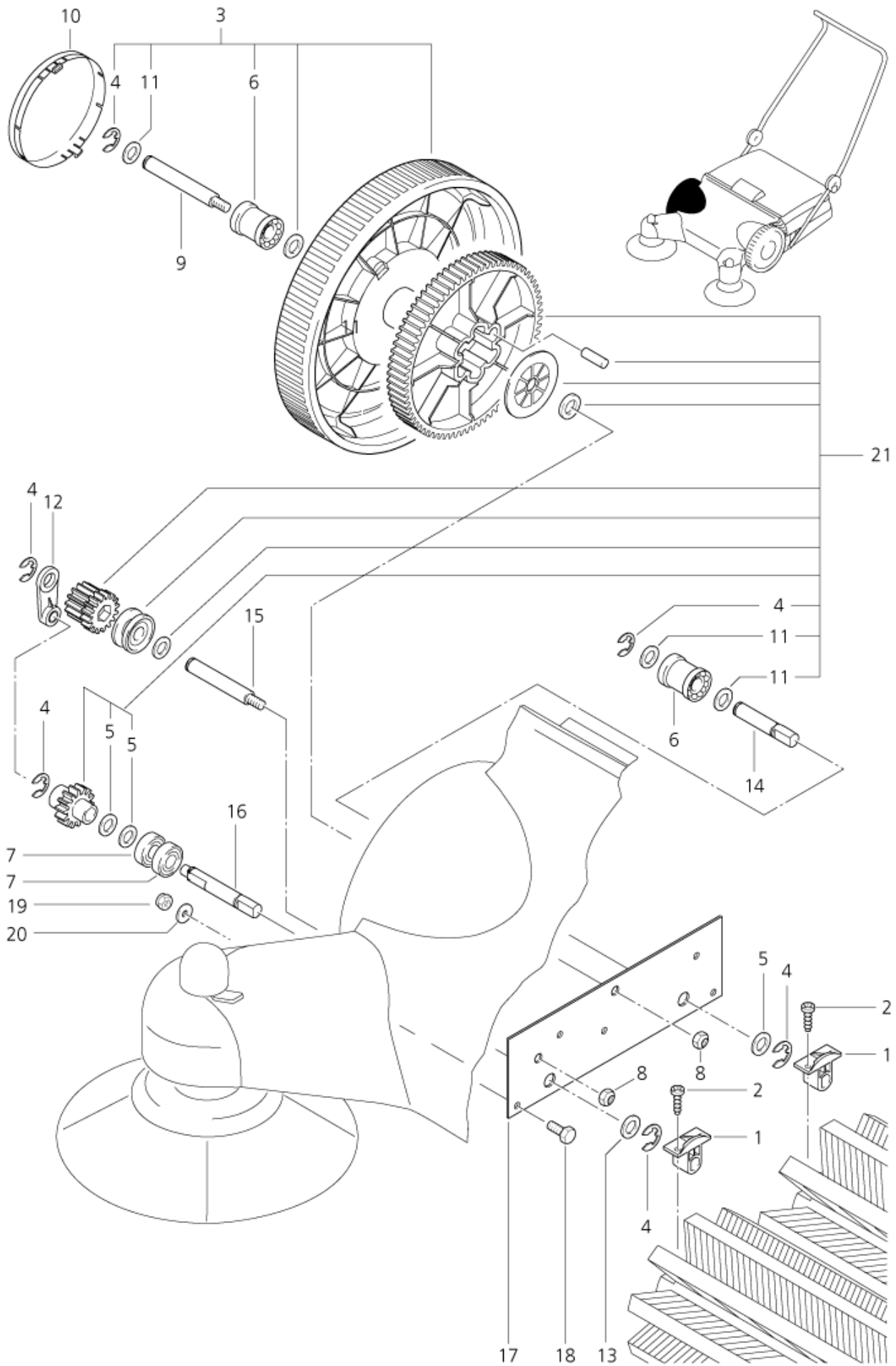
Wheel

TERRA 802

06-02-2015

Part List ID
TERRA80206

7



Wheel

TERRA 802

06-02-2015

Part List ID
TERRA80206

8

Pos	Part no.	Qty	Description
1	60510	1	DRIVE
2	3351	1	TREAD-CUTTING SCREW 3.5X16 C-H ISO 7049
3	67067	1	WHEEL
4	8878	1	LOCK WASHER M10X1 DIN 471 ZN
5	60499	1	WASHER
6	60511	1	BEARING
7	20938	1	BEARING WAS 2809
8	15808	1	HEXAGON NUT
9	60506	1	HANDLEBAR Ø 12X 98
10	67066	1	COVER
11	60512	1	WASHER
12	60516	1	HOLDER WITH FRICTION BEARING BUSHING
13	31578	1	SHIM RING 13X19X1.5
14	60513	1	HANDLEBAR Ø 12X 65
15	60514	1	SHAFT DIA. 12X 80
16	60515	1	HANDLEBAR
17	60504	1	PLATE BL.2.0X250X80 TERR
21	60517	1	GEAR SET TEVA 802

Right

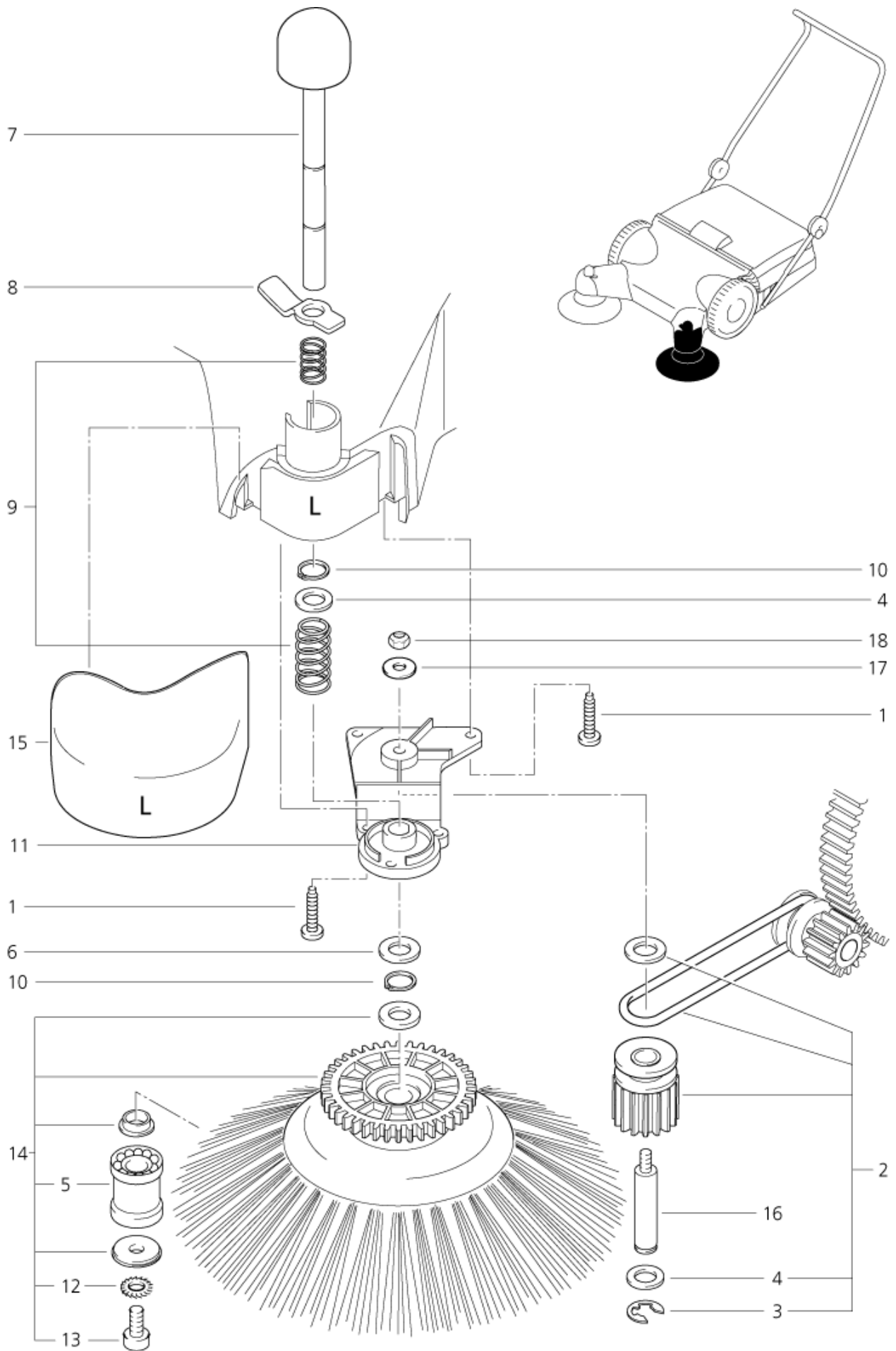
Side brush Left

TERRA 802

06-02-2015

Part List ID
TERRA80208

9



Side brush Left

TERRA 802

06-02-2015

Part List ID
TERRA80208

10

Pos	Part no.	Qty	Description	
1	10029	1	SCREW KA M5X25	
2	60519	1	SIDE BRUSH DRIVE	
3	8878	1	LOCK WASHER M10X1 DIN 471 ZN	
4	60499	1	WASHER	
5	60511	1	BEARING	
6	60512	1	WASHER	
7	60524	1	BRUSH PIVOT	
8	60523	1	PEDAL SIDE BRUSH TERRA 8	
9	60525	1	COMPRESSION SPRING	
10	34687	1	RING	
11	60521	1	COVER SIDE BRUSH LEFT-HAND	
12		1	NOTE COMMENT	Serrated lockwasher A8,2 DIN 6797
13		1	NOTE COMMENT	Socket head cap screw M8x16
14	60520	1	SIDE BRUSH TERRA	
15	67068	1	COVER LEFT BLUE 100150 TE	
16	60518	1	HANDLEBAR Ø 12X 65 M6 TERRA 8	
17		1	NOTE COMMENT	Washer A6,4 DIN 9021
18		1	NOTE COMMENT	Hexagon nut M6 DIN 985

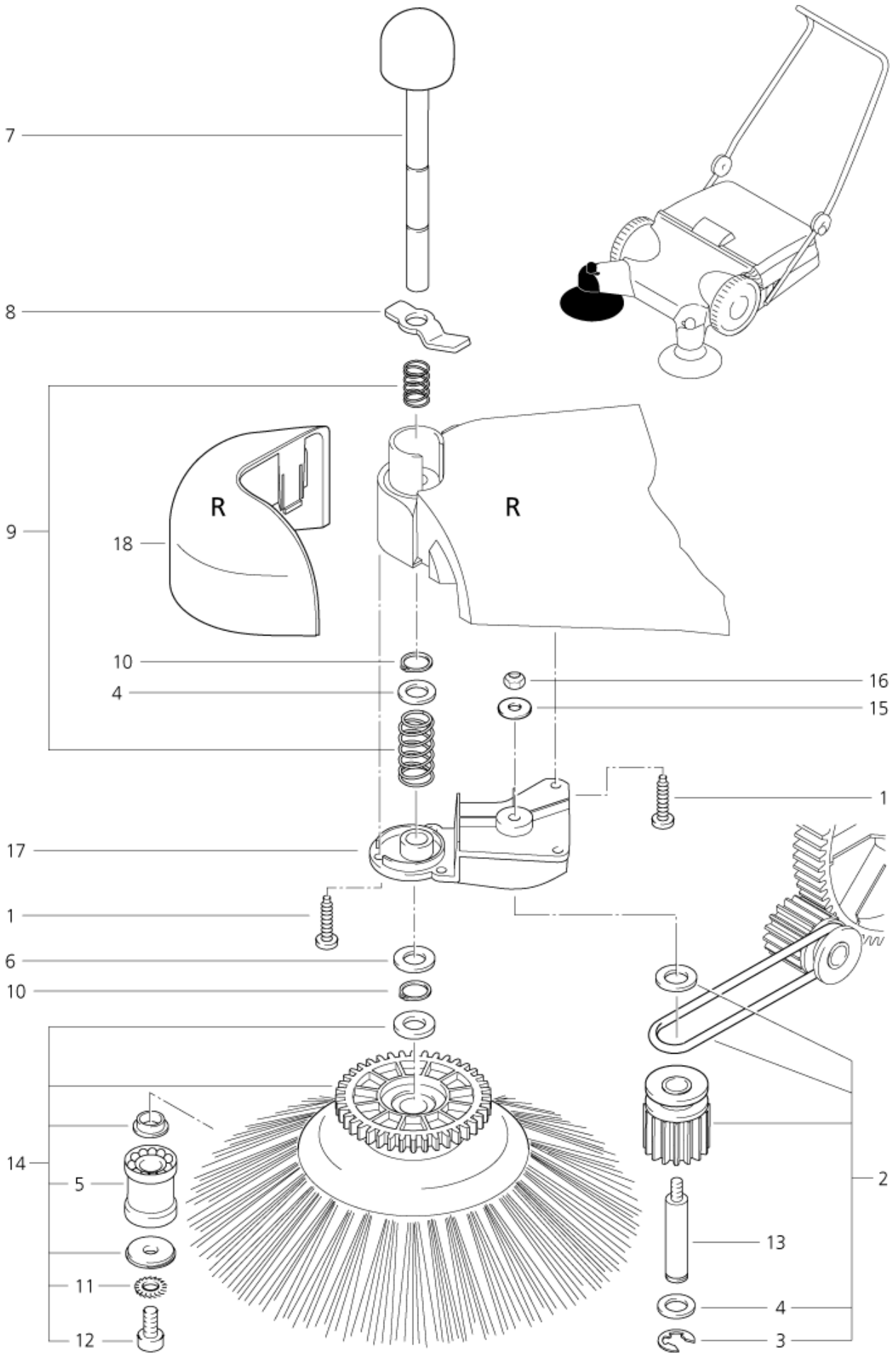
Side brush right

TERRA 802

06-02-2015

Part List ID
TERRA80210

11



Side brush right

TERRA 802

06-02-2015

Part List ID
TERRA80210

12

Pos	Part no.	Qty	Description
1	10029	1	SCREW KA M5X25
2	60519	1	SIDE BRUSH DRIVE
3	8878	1	LOCK WASHER M10X1 DIN 471 ZN
4	60499	1	WASHER
5	60511	1	BEARING
6	60512	1	WASHER
7	60524	1	BRUSH PIVOT
8	60523	1	PEDAL SIDE BRUSH TERRA 8
9	60525	1	COMPRESSION SPRING
10	34687	1	RING
11		1	NOTE COMMENT Serrated lock washer A8,2 DIN 6797
12		1	NOTE COMMENT Socket head cap screw M8x16
13	60518	1	HANDLEBAR Ø 12X 65 M6 TERRA 8
14	60520	1	SIDE BRUSH TERRA
15		1	NOTE COMMENT Washer A6,4 DIN 9021
16		1	NOTE COMMENT Hexagon nut M6 DIN 985
17	60527	1	COVER SIDE BRUSH RIGH THAN
18	67069	1	COVER RIGHT BLUE 100150 T