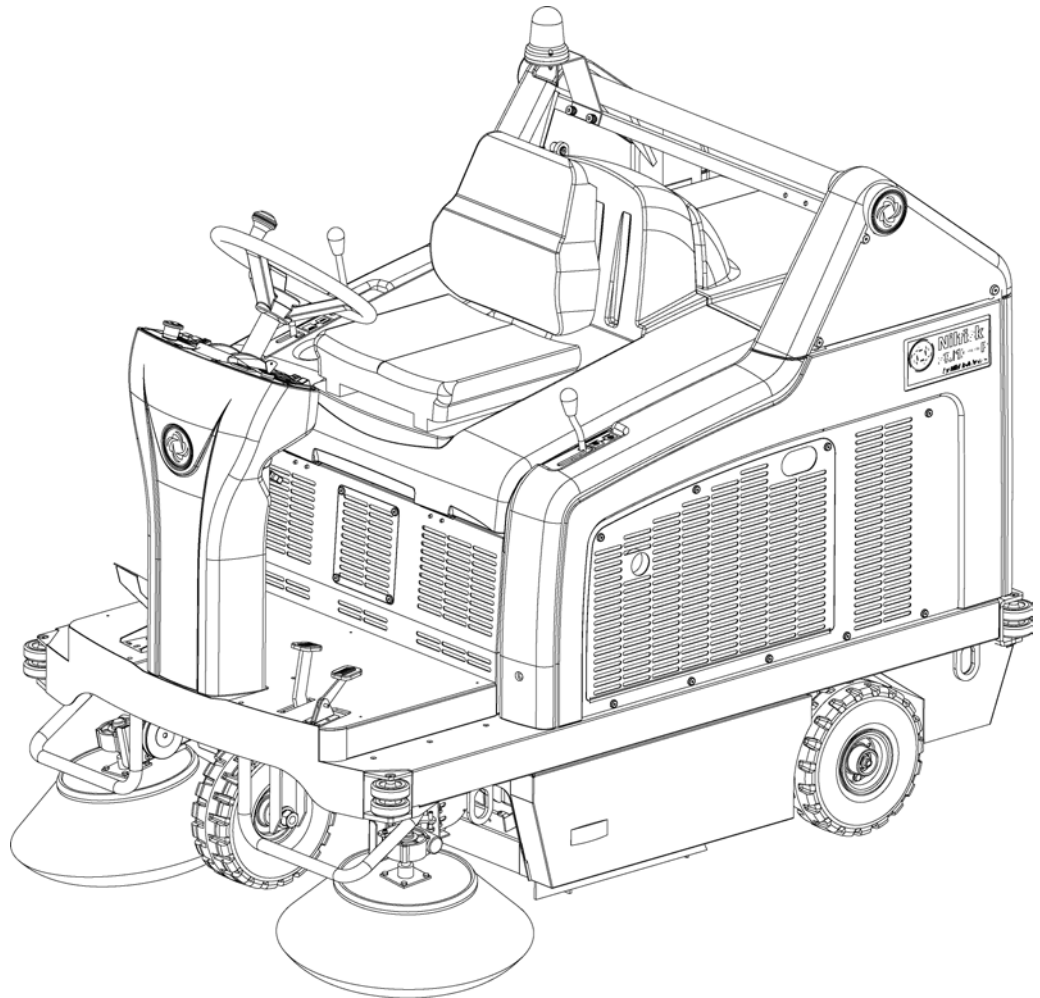


SR 1300H P



**CATALOGO RICAMBI
PARTS LIST
ERSATZTEILLISTE
LISTE DE PIECES DETACHEES**



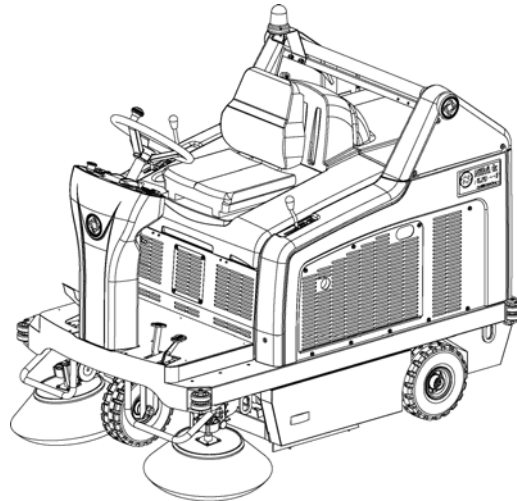
**Nilfisk
Advance**

setting standards

146 1063 000(3)2007-09



2004-05	TABLE OF CONTENTS	BOOK F		
2007-06	SR 1300H P	F	6.9.1	1



I

GB

D

F

Pagina
Page
Seite -Page

VISTA GENERALE	GENERAL VIEW	ALGEMEINE SICHT	VUE GENERAL	2 - 3
GRUPPO ROTOFORMATO	ROTOMOLDED ASSEMBLY	POLYET. ROTIERTE TEILEN	ROTOMOULAGE SYSTEME	4 - 5
GRUPPO TELAIO	CHASSIS ASSEMBLY	CHASSIS SATZ	CHASSIS COMPLETE	6 - 7
PREMONTAGGIO TELAIO	CHASSIS EXPLODED VIEW	CHASSIS EXPLOSION	PREMONTAGE CHASSIS	8 - 9
GRUPPO SPORTELLI E PARATIE	SIDE HATCHES & PANELS	SEITEN TUEREN-PANEEL SATZ	PORTES ET PANELS LAT.	10 - 11
PARTICOLARI TELAIO	CHASSIS COMPONENTS	CHASSIS KOMPONENTEN	COMPOSANT DE CHASSIS	12 - 13
GRUPPO TRAZIONE	DRIVE ASSEMBLY	ANTRIEB SATZ	GROUPE TRACTION	14 - 15
GRUPPO STERZO	STEERING ASSEMBLY	LENKUNG SATZ	COLONNE DE DIRECTION	16 - 17
GRUPPO PEDALI DI COMANDO	CONTROL PEDALS ASSEMBLY	PEDALS SATZ	PEDALES COMPLETE	18 - 19
GRUPPO CASSONE	WASTE CONTAINER ASSEMBLY	SCHMUTZBEHAELTER SATZ	BAC A DECHET	20 - 21
GRUPPO FILTRO	FILTER ASSEMBLY	FILTRIERANLAGE	SYST. FILTRE ET SECOUAGE	22 - 23
GRUPPO SPAZZOLA CENTRALE	MAIN BROOM ASSEMBLY	HAUPTKEHRWALZE SATZ	GROUPE BALAI CENTRALE	24 - 27
GRUPPO TRAZIONE SPAZZOLE	TRACTION BROOMS ASSEMBLY	BUERSTEN ANTRIEB	GROUPE TRAC.BROSSES	28 - 29
GRUPPO SPAZZOLA LAT. DX	RIGHT SIDE BRUSH ASSEMBLY	RECHTE SEITEN BESEN SATZ	GROUPE BROSSSE LAT.DROITE	30 - 31
GRUPPO SPAZZOLA LAT. SX	LEFT SIDE BRUSH ASSEMBLY	LINKE SEITEN BESEN SATZ	GROUPE BROSSSE LAT.GAUCHE	32 - 33
GRUPPO RINVIO SP.LATERALI	SIDE BR.TRANSMISSION SYST.	SEITEN BUERSTEN ANTRIEB	GROUPE TRAC.BROSSES LAT.	34 - 35
GR. MOTORIZZAZ. BENZINA	PETROL ENGINE ASSEMBLY	BENZIN MOTOR SATZ	GROUPE MOTEUR COMPLETE	36 - 37
GRUPPO MOTORE BENZINA	PETROL ENGINE	BENZIN MOTOR	MOTEUR A ESSENCE	38 - 39
GRUPPO POMPA IDRAULICA	HYDRAULIC PUMP	HYDRAULISCHE PUMPE	POMPE HYDRAULIC	40 - 41
GRUPPO MOTORE ASPIRATORE	VACUUM MOTOR	SAUGMOTOR	MOTEUR SUC.	42 - 43
GRUPPO PLANCE	CONTROL PANEL ASSEMBLIES	SCHALTT.&LINK HYDR. SYSTEM	TABLEAU DE BORD	44 - 45
GRUPPO SISTEMA IDRAULICO	HYDRAULIC SYSTEM	HYDR.SCHLAUCHE SYSTEM	SYSTEME HYDRAULIQUE	46 - 47
GRUPPO TUBAZIONI IDR.	HYDRAULIC HOSE SYSTEM	HYDR.SCHLAUCHE SYSTEM	VERRIN HYDRAULIQUE	48 - 49
COMPONENTI ELETTRICHE	ELECTRICAL COMPONENTS	ELEKTRISCHE KOMPONENTEN	COMPOSANT ELECTRIQUE	50 - 51
ACCESSORI	ACCESSORIES	ZUBEHOERE	OPTIONALS	52 - 55
SCHEMA ELETTRICO	WIRING DIAGRAM	ELEKTRISCHE SCHALTPLAN	DIAGRAMME ELECTRIQUE	56
SCHEMA IDRAULICO	HYDRAULIC DIAGRAM	HYDRAULISCHE SCHALTPLAN	DIAGRAMME HYDRAULIQUE	57
RICAMBI CONSIGLIATI	RECOMMENDED SPARE PARTS	EMPFOHLENE ERSATZTEILE	PIECES DE RECHANGE RECOM.	58 - 59

WHEN ORDERING PARTS

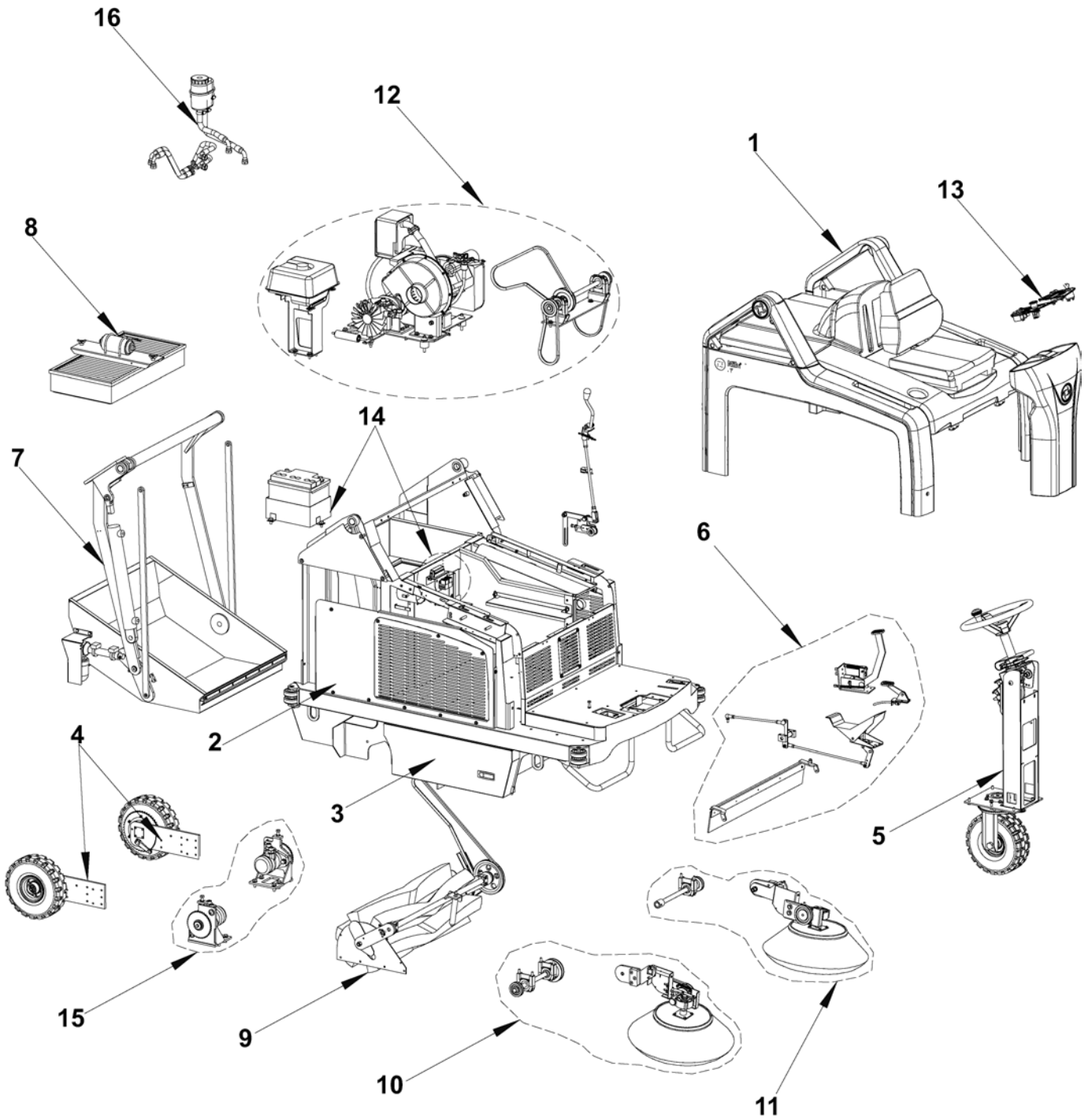
- * Use the 8, 9 or 10 digit numbers from the "Ref. No." columns in this parts list.
- * Specify the model and serial number of the machine.
- * Use the space below to record the model and serial number for future reference.

Model _____ Serial No. _____

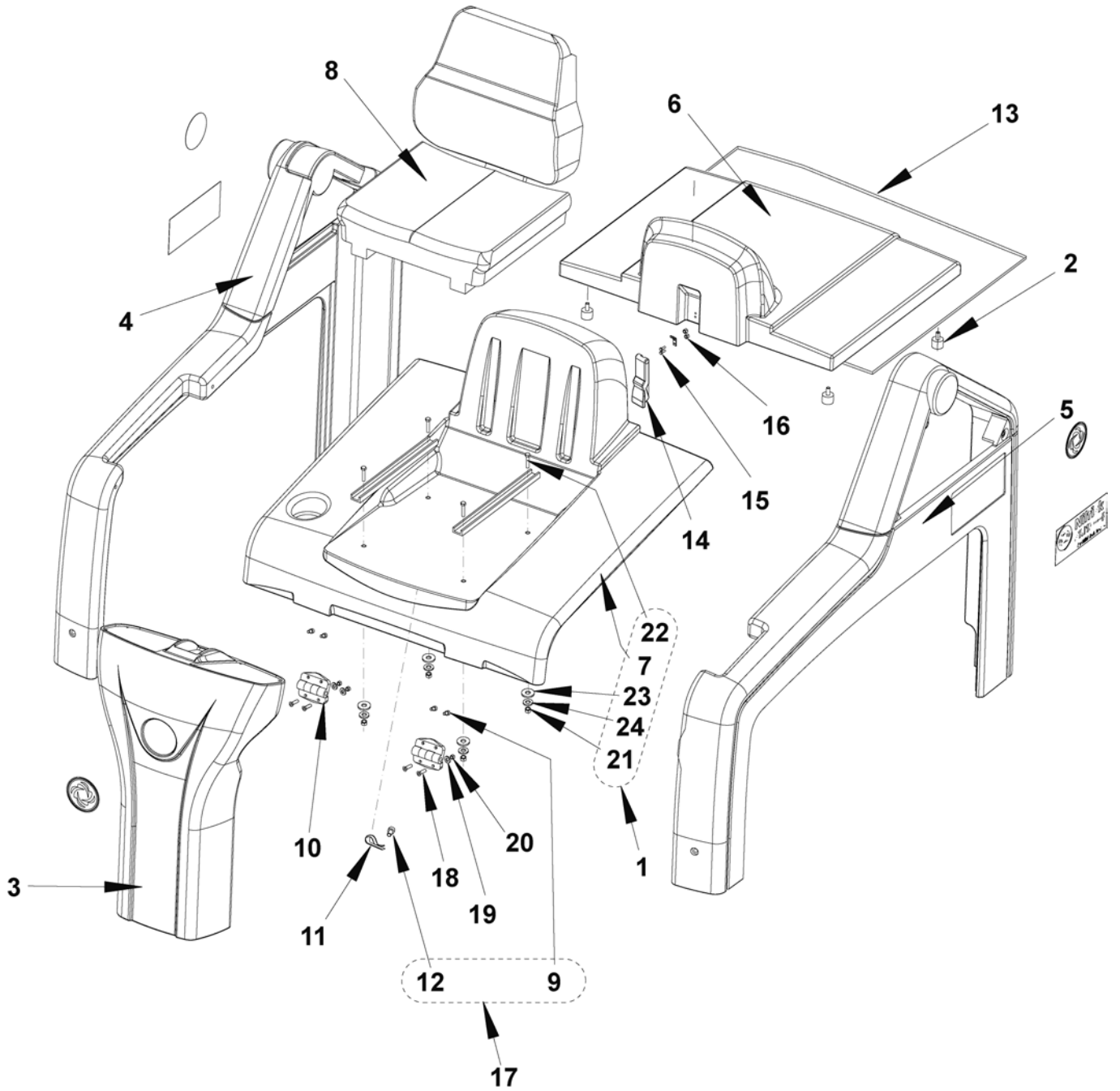
* = **Optional**

= **Modified item No. or New item No.**

0 = **Not shown**

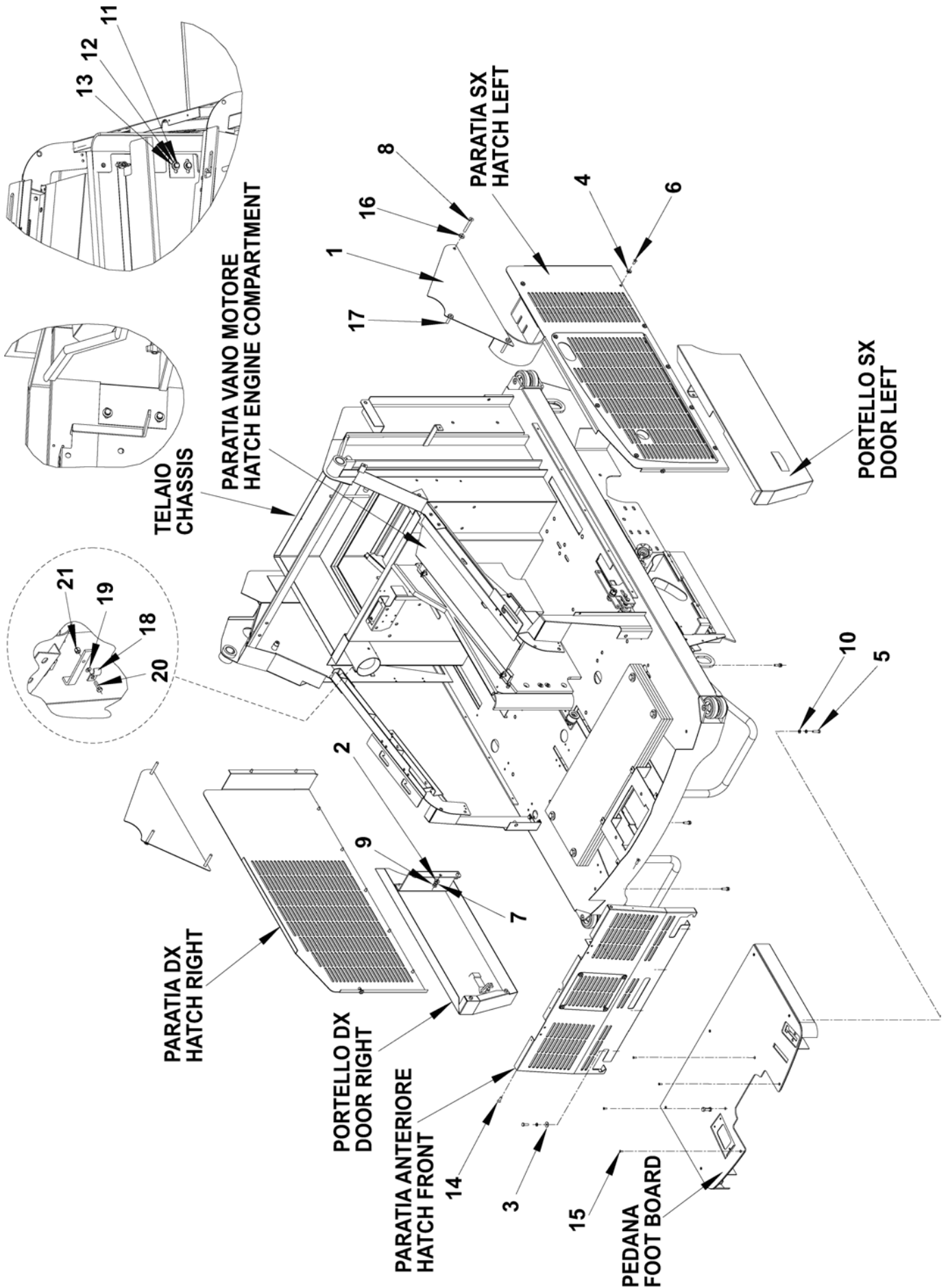


Pos Item Bild Rép	Descrizione	Description	Beschreibung	Désignation
1	GRUPPO ROTOFORMATO	ROTOMOLDED ASSEMBLY	POLYETHYLENE ROTIERTE TEILE	ROTOMOULAGE SYSTEME
2	GRUPPO TELAIO	CHASSIS ASSEMBLY	CHASSIS SATZ	CHASSIS COMPLETE
3	GRUPPO SPORTELLI LATERALI	SIDE HATCHS ASSEMBLY	SEITEN TUEREN SATZ	PORTES LATERALES
4	GRUPPO RUOTE	WHEELS ASSEMBLY	RAEDER SATZ	GROUPE ROUES
5	GRUPPO STERZO	STEERING ASSEMBLY	LENKUNG SATZ	COLONNE DE DIRECTION
6	GRUPPO PEDALI	CONTROL PEDALS ASSEMBLY	PEDALS SATZ	PEDALES COMPLETE
7	GRUPPO CASSONE	WASTE CONTAINER ASSEMBLY	SCHMUTZBEHAELTER SATZ	BAC A DECHETS
8	GRUPPO FILTRO	FILTER ASSEMBLY	FILTRIERANLAGE	SYSTEME FILTRE ET SECOUAGE
9	GRUPPO SPAZ. CENTRALE	MAIN BROOM ASSEMBLY	HAUPTKEHRWALZE SATZ	GROUPE BALAI CENTRAL
10	GRUPPO SPAZ. LAT. DX	RIGHT SIDE BRUSH ASSEMBLY	RECHTE SEITEN BESEN SATZ	GROUPE BROOSSE LAT. DROITE
11	GRUPPO SPAZ. LAT. SX	LEFT SIDE BRUSH ASSEMBLY	LINKE SEITEN BESEN SATZ	GROUPE BROOSSE LAT. GAUCHE
12	GRUPPO MOTORIZ. BENZINA	PETROL MOTOR ASSEMBLY	MOTOR SATZ	GROUPE MOTEUR COMPLETE
13	GRUPPO PLANCE	CONTROL PANEL ASSEMBLIES	SCHALTAFELN SATZ	TABLEAU DE BORD
14	COMPONENTI ELETTRICHE	ELECTRICAL COMPONENTS	ELEKTRISCHE KOMPONENTEN	COMPOSENT ELECTRIQUE
15	GRUPPO IDR.DI TRAZIONE	HYDRAULIC TRACTION ASSEMBLY	HIDRAULISCHE ANTR. SYSTEM	GROUPE HYDR. DE TRACTION
16	GRUPPO TUBAZIONI IDRAUL.	HYDRAULIC HOISING ASSEMBLY	HIDRAUL.SCHLAUCHE SATZ	GROUPE TUYAUTERIES HYDR.



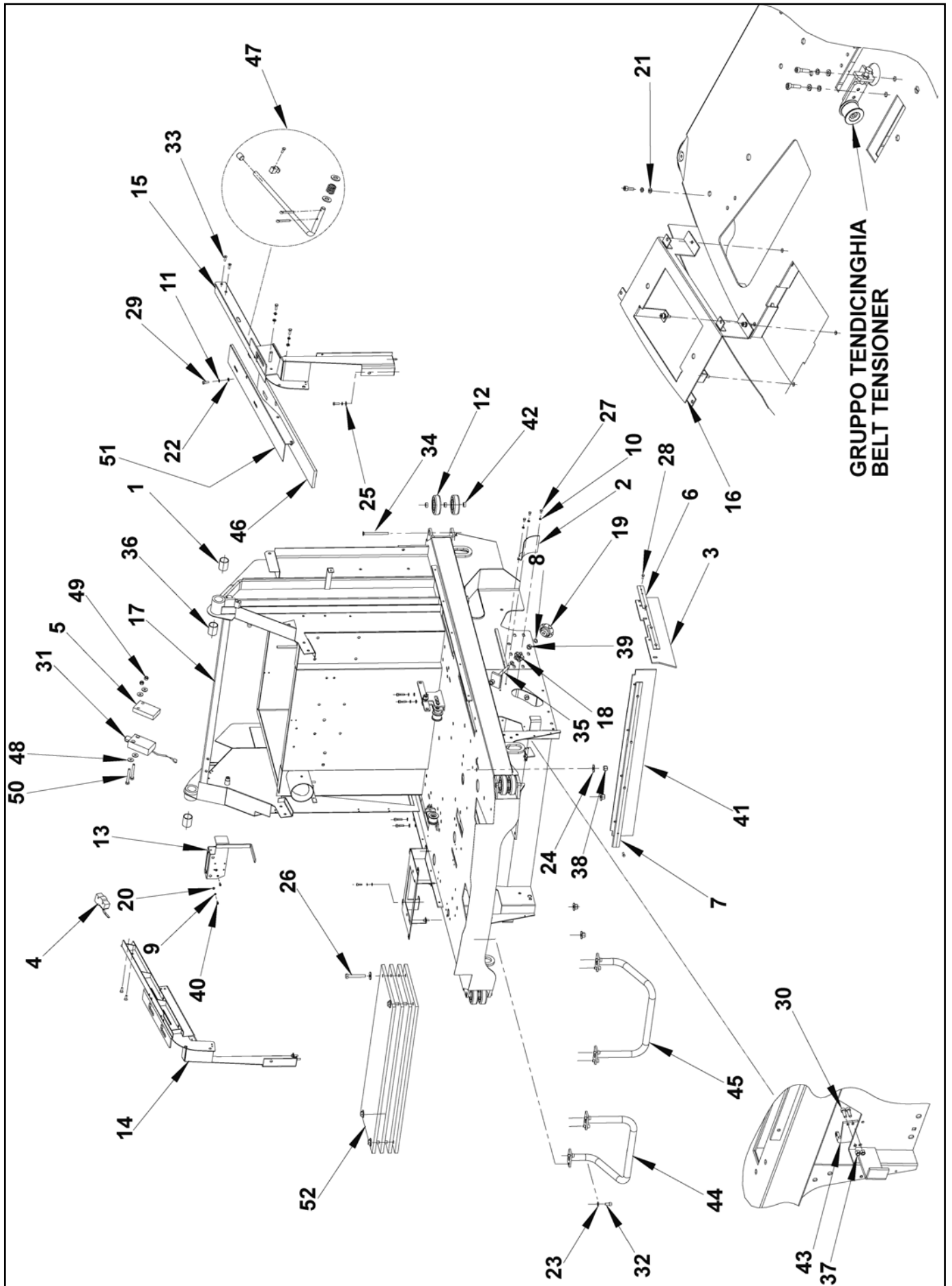
2004-05	GRUPPO ROTOFORMATO / ROTOMOLDED ASSEMBLY	BOOK F		
2007-09	SR 1300H P	F	6.9.1	5

Pos Item Bild Rép	Codice Ref. No. Art. Nr. Réf. No	Q.tà Qty Menge Qté	Descrizione	Description	Beschreibung	Désignation
0	146 2188 000	1	KIT ADESIVI SR 1300H P	DECALS KIT SR 1300H P	ZUSTATZ SCHILD SR1300H	KIT ADHESIF SR 1300H P
1	146 2863 000	1	KIT COFANO (7,21,22,23,24)	BONNET KIT (7,21,22,23,24)	ZUSATZ HAUBE (7,21,22,23,24)	KIT CAPOTAGE (7,21,22,23,24)
0	146 2864 000	1	ISTRUZIONI KIT COFANO	BONNET KIT INSTRUCTION	ANGABEN ZUSATZ HAUBE	INSTRUCTION KIT CAPOTAGE
2	146 0495 000	4	ANTIVIBRANTE	VIBRATION DAMPING	SCHWINGGUNGSDAEMPFER	SILENT BLOC
3	146 0919 000	1	CARENATURA ANTERIORE	COVER FRONT	VERKLEIDUNG VORNE	BATI AVANT
4	146 0917 000	1	CARENATURA LATERALE DX	RIGHT SIDE COVER	RECHTE VERKLEIDUNG	BATI DROITE
5	146 0918 000	1	CARENATURA LATERALE SX	LEFT SIDE COVER	LINKE VERKLEIDUNG	BATI GAUCHE
6	146 0916 000	1	COFANO POSTERIORE COMPL.DI GUARNIZIONE	REAR BONNET COMPLETE WITH GASKET	HAUBE HINTEN KOMPLET MIT DICHTUNG	CAPOTAGE ARRIERE AVEC JOINT
7	xxxxxxxxxx	1	COFANO PORTA SEDILE	SEAT HOLDER BONNET	HAUBE SITZHALTER	CAPOTAGE SIEGE SUPPORT
8	145 5975 000	1	SEDILE CON MICROINT.	SEAT W/MICROSWITCH	SITZ MIT MIKROSCHALTER	SIEGE AVEC MICROINTERRUP.
9	xxxxxxxxxx	8	VITE CIL. M6X12	SCREW M6X12	SCHRAUBE	VIS
10	146 0928 000	2	CERNIERA COFANO	BONNET HINGE	SCHARNIERE	CHARNIERE
11#	L08239900	1	FASCETTA CABL.SEDILE	CLAMP	PASSRING	COLLIER
12	xxxxxxxxxx	1	VITE AUTOFILETTANTE	SCREW THD FORM	SCHRAUBE	VIS
13	146 1147 000	1	GUARNIZIONE	GASKET	DICHTUNG	JOINT
14	146 1263 000	3	CHIUSURA	CLOSURE	VERSCHLUSS	FERMETURE
15	33005602	6	DADO AUTOBLOCCANTE	NUT SELF LOCKING	MUTTER	ECROU
16	145 9291 000	6	VITE ES. M4	SCREW HEX HD M4	SCHRAUBE	VIS
17	146 1184 000	1	KIT VITERIA GRUPPO ROTOFORMATO (9,12)	ROTO MOLDED ASSEMBLY HARDWARE KIT (9,12)	ZUSATZ SCHRAUBEN POLYET. ROTIERTE TEILEN (9,12)	KIT VIS SYSTEME ROTOMOULAGE (9,12)
18	146 0639 000	8	VITE TTLQS M5X20	SCREW CARRIAGE	SCHRAUBE	VIS
19	145 1261 000	8	ROND. PIANA XL 5,5X15X1.6	WASHER LARGE	BEILAGSCHEIBE	RONDELLE
20	33005603	8	DADO E. B. AUTOBL. M5	NUT SELF LOCKING M5	MUTTER	ECROU
21	xxxxxxxxxx	4	DADO E. M8	NUT M8	MUTTER	ECROU
22	xxxxxxxxxx	4	VITE TE M8X40	SCREW HEX THD	SCHRAUBE	VIS
23	xxxxxxxxxx	4	ROND. PIANA XL 9X32X2.5	WASHER LARGE	BEILAGSCHEIBE	RONDELLE
24	xxxxxxxxxx	4	ROND. EL. SPACC. 8.4X14	WASHER	BEILAGSCHEIBE	RONDELLE



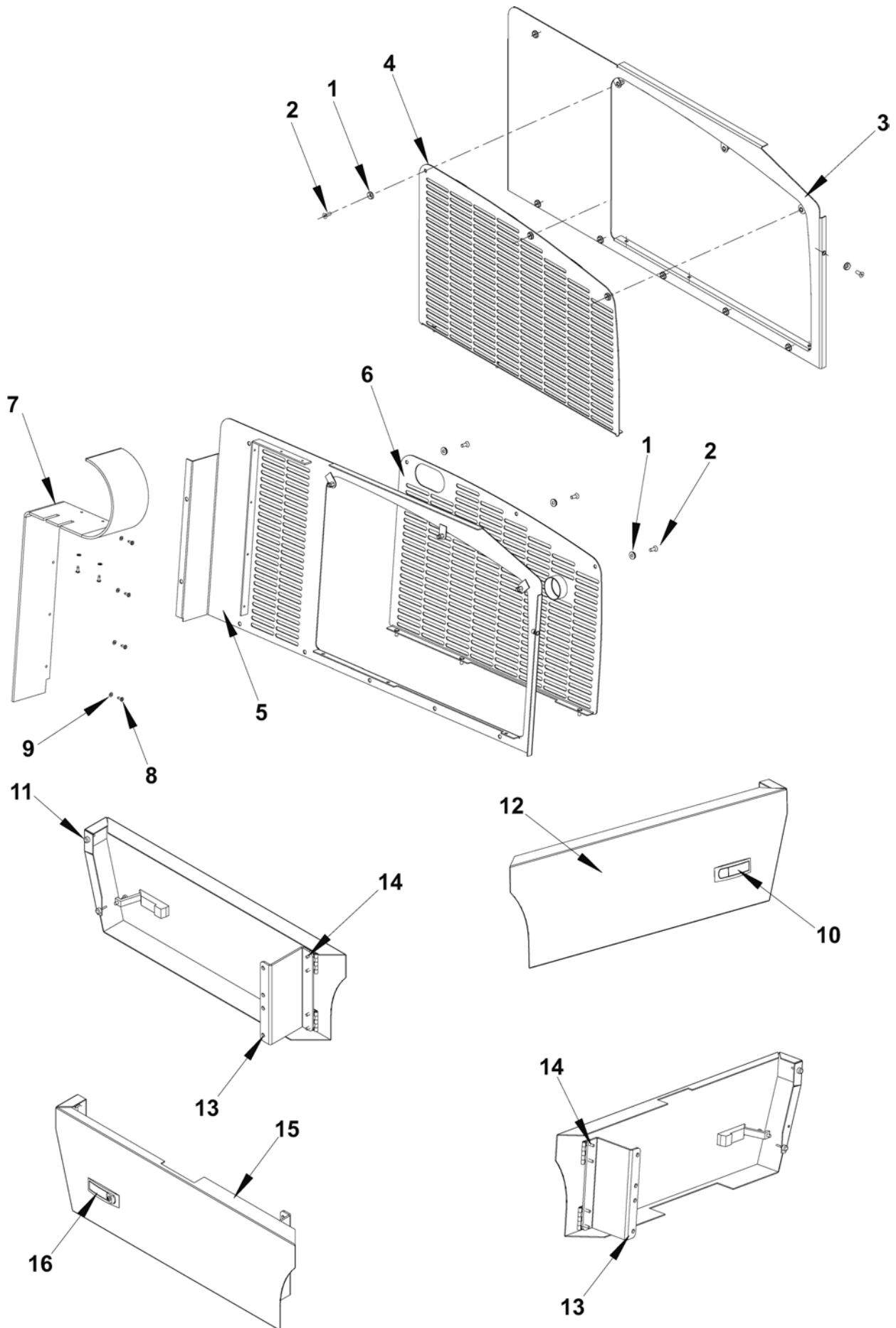
2004-05	GRUPPO TELAIO / CHASSIS ASSEMBLY	BOOK F		
2007-09	SR 1300H P	F	6.9.1	7

Pos Item Bild Rép	Codice Ref. No. Art. Nr. Réf. No	Q.tà Qty Menge Qté	Descrizione	Description	Beschreibung	Désignation
1	146 0954 000	2	PROTEZIONE LAT. SUPERIORE	PROTECTION UPPER	SCHUTZ	PROTECTION
2	33005915	4	RONDELLA PIANA 8X17	WASHER FLAT	BEILAGSCHEIBE	RONDELLE
3#	L08228600	4	RONDELLA PIANA 6X18	WASHER FLAT	BEILAGSCHEIBE	RONDELLE
4	145 1129 000	24	RONDELLA CURVA 6X16	WASHER	BEILAGSCHEIBE	RONDELLE
5	33003976	4	VITE TE M6X25	SCREW HEX HD M6X25	SCHRAUBE	VIS
6	33004576	24	VITE TSPEI M6X16	SCREW M6X16	SCHRAUBE	VIS
7	33005842	4	RONDELLA E.SPACCATA 8	WASHER	BEILAGSCHEIBE	RONDELLE
8	33004600	5	VITE TSPEI M8X60	SCREW M8X60	SCHRAUBE	VIS
9	33003993	4	VITE TE M8X16	SCREW HEX HD M8X16	SCHRAUBE	VIS
10	33005913	4	RONDELLA PIANA 6X12,5	WASHER FLAT	BEILAGSCHEIBE	RONDELLE
11	33003975	8	VITE TE M6X20	SCREW HEX HD M6X20	SCHRAUBE	VIS
12	33005851	12	RONDELLA E.SPACCATA 6	WASHER	BEILAGSCHEIBE	RONDELLE
13	145 9229 000	4	RONDELLA PIANA 6X18	WASHER FLAT 6X18	BEILAGSCHEIBE	RONDELLE
14	33004578	2	VITE TSPEI M6X20	SCREW M6X20	SCHRAUBE	VIS
15	146 0951 000	4	VITE TSPEI M4X12	SCREW M4X12	SCHRAUBE	VIS
16	146 1569 000	6	RONDELLA E.CURVA	WASHER	BEILAGSCHEIBE	RONDELLE
17	146 1749 000	1	VITE TSPEI M8X35	SCREW M8X35	SCHRAUBE	VIS
18#	L08812352	1	CAVALLOTTO FERMACAVO	CLAMP	VERBINDUNGSBRUECKE	ETRIER
19#	L08040400	1	RONDELLA PIANA	WASHER	BEILAGSCHEIBE	RONDELLE
20	33003962	1	VITE TE M15X16	SCREW	SCHRAUBE	VIS
21	145 9287 000	1	DADO E. AUTOBL. M5	NUT HEX SELF LOCK M5	MUTTER	ECROU



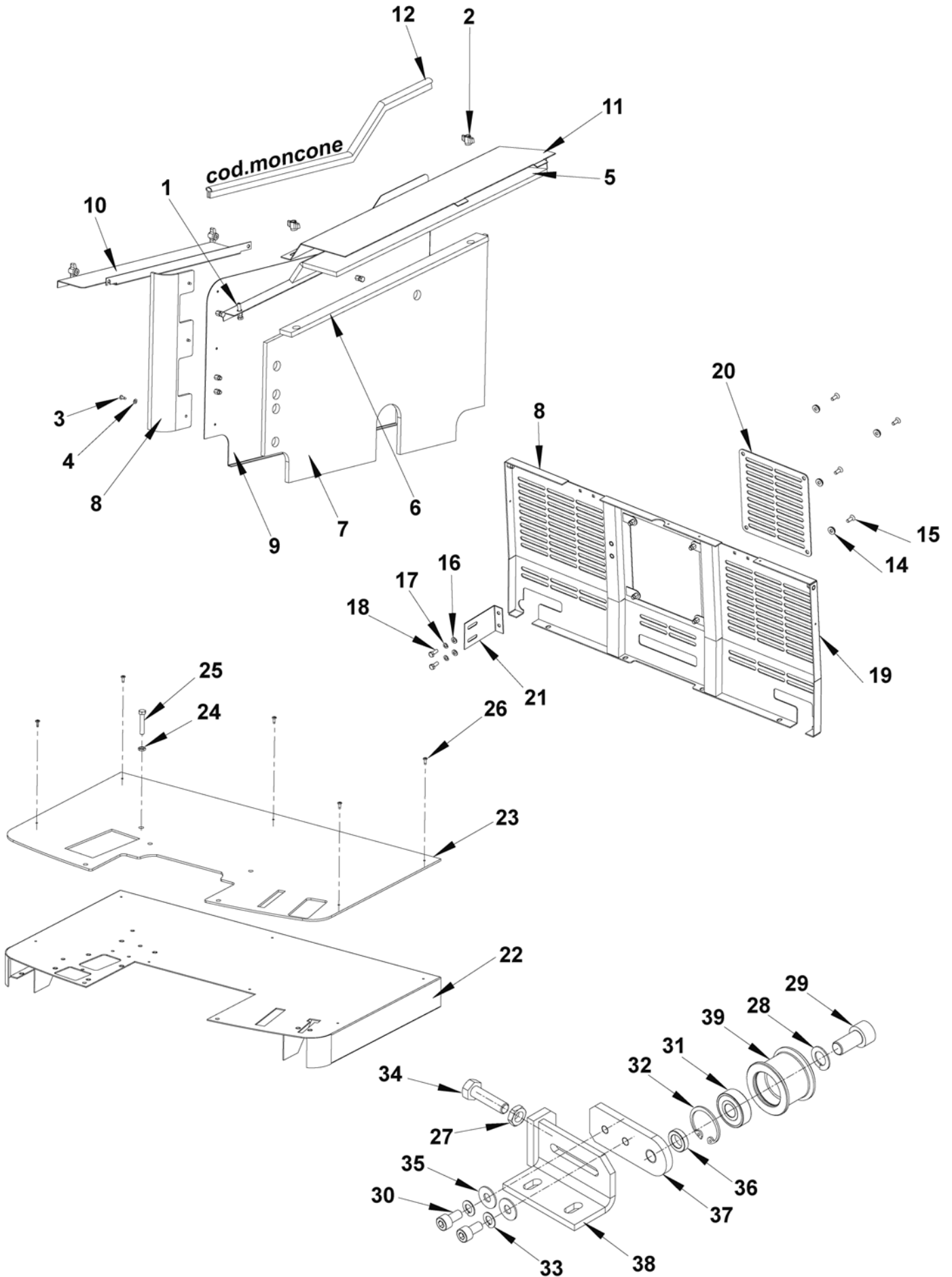
2004-05	PREMONTAGGIO TELAIO/ CHASSIS EXPLODED VIEW	BOOK F		
2007-06	SR 1300H P	F	6.9.1	9

Pos Item Bild Rép	Codice Ref. No. Art. Nr. Réf. No	Q.tà Qty Menge Qté	Descrizione	Description	Beschreibung	Désignation
1	146 1050 000	2	BOCCOLA	BUSHING	BUECHSE	BAGUE
2	146 1055 000	1	PROTEZIONE PULEGGIA	PROTECTION	SCHUTZ	PROTECTION
3	145 5927 000	1	FLAP LATERALE	SIDE SKIRT	SEITEN GUMMI	BAVETTE LATERAL
3*	146 1150 000	1	FLAP LATERALE ANTITRACCIA	NON MARKING SIDE SKIRT	SPURLOSE SEITEN GUMMI	BAVETTE LAT.NON MARQ.
4	145 9679 000	1	MICROINTERRUPTORE	MICROSWITCH	MIKROSCHALTER	MICROINTERRUPTEUR
5	146 1130 000	1	SPESSORE PER MICRO	PLATE FOR MICROSWITCH	PLATTE	PLAQUE
6	145 5929 000	1	PIATTINA FLAP LATERALE	PLATE FOR SIDE SKIRT	PLATTE	PLAQUE
7	145 4657 000	1	PIATTINA FLAP POSTERIORE	PLATE FOR REAR SKIRT	PLATTE	PLAQUE
8	33005843	2	RONDELLA E. SPACCATA 10	WASHER	BEILAGSCHEIBE	RONDELLE
9	33005838	2	RONDELLA E. SPACCATA 4	WASHER	BEILAGSCHEIBE	RONDELLE
10	33005839	7	RONDELLA E. SPACCATA 5	WASHER	BEILAGSCHEIBE	RONDELLE
11	33005851	11	RONDELLA E. SPACCATA 6	WASHER	BEILAGSCHEIBE	RONDELLE
12	146 0945 000	8	RULLO PARACOLPI	BUMPER ROLLER	ROLLE	ROULEAU
13	146 1111 000	1	STAFFA SUP. PORTAFUSIBILI	BRACKET FUSE HOLDER SUP.	STANGE	SUPPORT
14	146 0947 000	1	SUPPORTO LEVE DX	SUPPORT RIGHT LEVER	HALTER	SUPPORT
15	146 0948 000	1	SUPPORTO LEVE SX	SUPPORT LEFT LEVER	HALTER	SUPPORT
16	146 0946 000	1	SUPPORTO PEDANA	SUPPORT FOOT BOARD	HALTER	SUPPORT
17	146 0836 000	1	TELAIO	CHASSIS	CHASSIS	CHASSIS
18	146 1036 000	1	VOLANTINO M10	KNOB	HANDRAD	MOLETTE
19	146 1037 000	1	VOLANTINO M10	KNOB	HANDRAD	MOLETTE
20	33005911	2	RONDELLA PIANA 4X9	WASHER FLAT	BEILAGSCHEIBE	RONDELLE
21	145 9133 000	4	RONDELLA PIANA 5X10	WASHER FLAT	BEILAGSCHEIBE	RONDELLE
22	33005913	7	RONDELLA PIANA 6X12,5	WASHER FLAT	BEILAGSCHEIBE	RONDELLE
23	33005915	8	RONDELLA PIANA 8X17	WASHER FLAT	BEILAGSCHEIBE	RONDELLE
24	145 4505 000	8	RONDELLA PIANA 10X30	WASHER FLAT	BEILAGSCHEIBE	RONDELLE
25	146 0250 000	4	RONDELLA PIANA 6X16	WASHER FLAT	BEILAGSCHEIBE	RONDELLE
26	146 2163 000	4	VITE TE M10X70	SCREW HEX HD M10X70	SCHRAUBE	VIS
27	33003959	8	VITE TE M5X10	SCREW HEX HD M5X10	SCHRAUBE	VIS
28	145 5868 000	4	VITE TE 4,8X19 AUTOFILET.	SCREW HEX HD 4,8X19	SCHRAUBE	VIS
29	33003975	7	VITE TE M6X20	SCREW HEX HD M6X20	SCHRAUBE	VIS
30	33004328	6	VITE TCEI M5X16	SCREW M5X16	SCHRAUBE	VIS
31	146 0848 000	1	MICROINTERRUPTORE 16A	MICROSWITCH 16A	MIKROSCHALTER	MICROINTERRUPTEUR
32	33004364	8	VITE TCEI M8X16	SCREW M8X16	SCHRAUBE	VIS
33	33004578	4	VITE TSPEI M6X20	SCREW M6X20	SCHRAUBE	VIS
34	146 1485 000	4	VITE TSPEI M8X100	SCREW M8X100	SCHRAUBE	VIS
35	146 1035 000	1	BARRA FILETTATA M10X135	BAR THD	STANGE	SUPPORT
36	146 1033 000	1	BOCCOLA	BUSHING	BUECHSE	BAGUE
37	33005561	2	DADO ES.ALTO AUTOBL.M5	NUT HEX SELFLOCK. M5	MUTTER	ECROU
38	145 4518 000	5	DADO ES.AUTOBLOC.M10	NUT HEX SELFLOCK. M10	MUTTER	ECROU
39	145 4515 000	1	DADO ES.M10	NUT HEX M10	MUTTER	ECROU
40	33004108	2	VITE TCEI M4X10 INOX	SCREW M4X10 SS	SCHRAUBE	VIS
41	145 4654 000	1	FLAP POSTERIORE	SKIRT REAR	GUMMI HINTEN	BAVETTE ARRIERE
41*	146 1151 000	1	FLAP POSTERIORE ANTITRAC.	NON MARKING REAR SKIRT	SPURLOSE GUMMI HINTEN	BAVETTE AR.NON MARQ.
42	146 1129 000	12	DISTANZIALE RULLO PARACOLPI	SPACER	ABSTANDSTUECK	ENTRETOISE
43	146 2708 000	1	FERMA GUAINA	SHEATH STOP	HULSE HALTER	BLOQUE GAINE
44	146 0944 000	1	PROTEZIONE SPAZ.LAT.DX	PROTECTION RIGHT SIDE BROOM	SCHUTZ	PROTECTION
45	146 1140 000	1	PROTEZIONE SPAZ.LAT.SX	PROTECTION LEFT SIDE BROOM	SCHUTZ	PROTECTION
46	146 1736 000	1	PROTEZIONE MOTORE	ENGINE PROTECTION	SCHUTZ	PROTECTION
47	146 2164 000	1	KIT ASTA SOSTEGNO COFANO	BONNET HOLDER BRACKET KIT	ZUSATZ HAUBE HALTER	KIT SUPPORT CAPOTAGE
48	145 9237 000	4	RONDELLA PIANA 4X12	WASHER FLAT	BEILAGSCHEIBE	RONDELLE
49	145 5743 000	2	DADO E.BASSO AUTOBL.M4	NUT HEX LOW SELFLOCK M4	MUTTER	ECROU
50	146 2163 000	2	VITE TE M10X70	SCREW HEX HD M10X70	SCHRAUBE	VIS
51	146 1746 000	1	SUPPORTO CARTER MOTORE	SUPPORT	HALTER	SUPPORT
52	146 1195 000	4	CONTRAPPESO	WEIGHT	GEWICHT	CONTREPOIDS



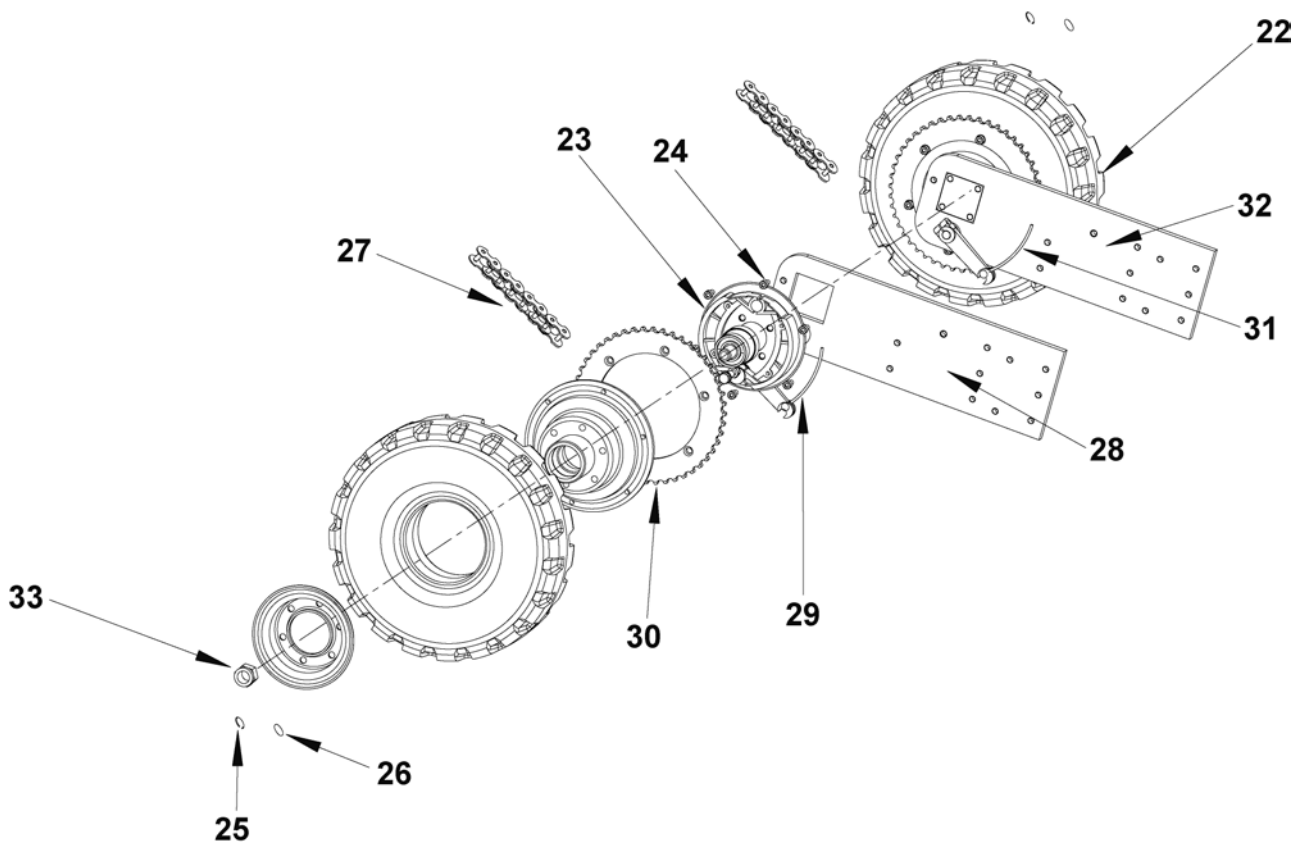
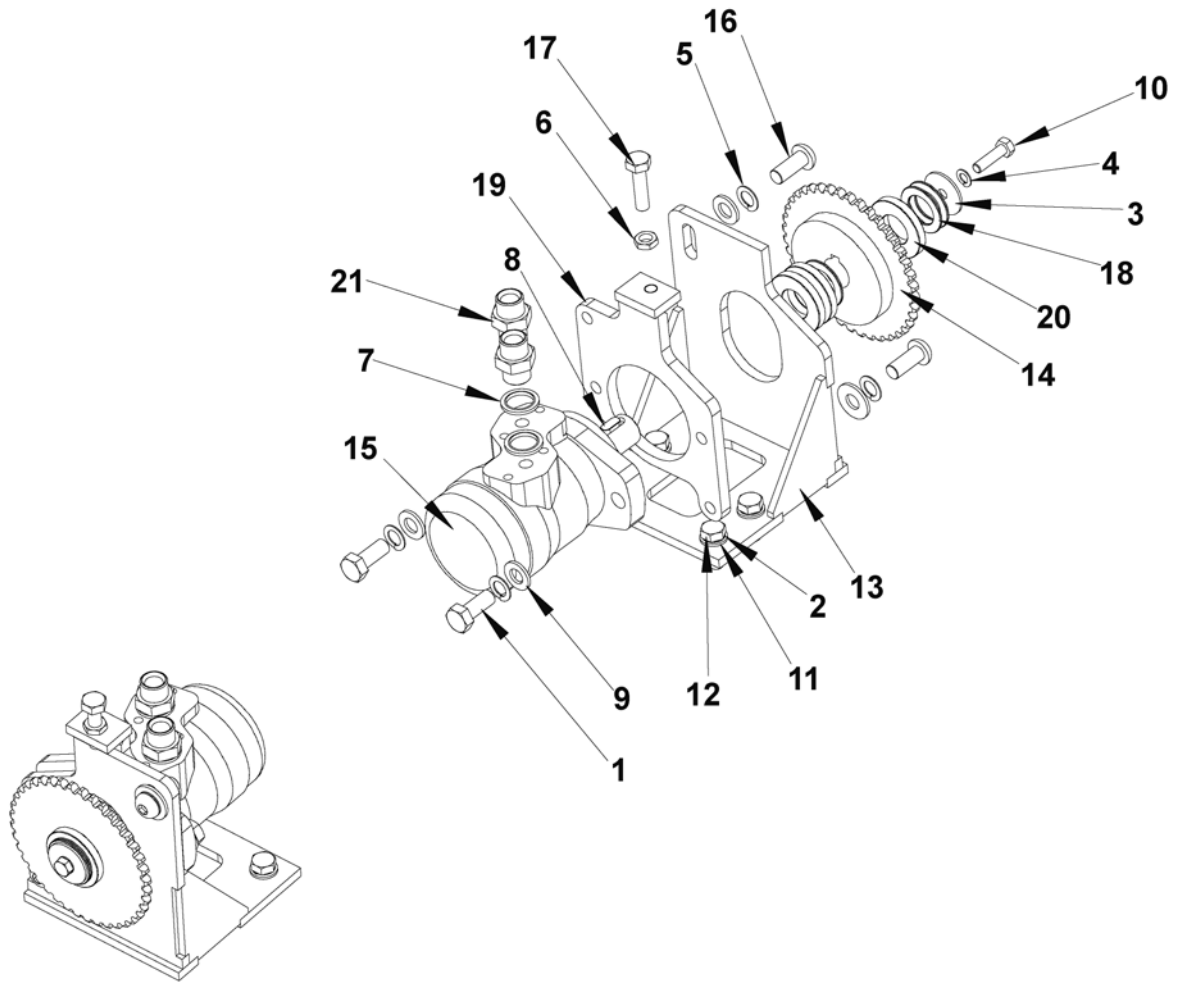
2004-05	GRUPPO SPORTELLI LATERALI / SIDE HATCHS ASSEMBLY	BOOK F		
2007-06	SR 1300H P	F	6.9.1	11

Pos Item Bild Rép	Codice Ref. No. Art. Nr. Réf. No	Q.tà Qty Menge Qté	Descrizione	Description	Beschreibung	Désignation
1	145 1129 000	24	RONDELLA	WASHER	BEILAGSCHEIBE	RONDELLE
2	33005676	24	VITE TSPEI M6X16	SCREW	SCHRAUBE	VIS
3	146 1733 000	1	PARATIA LATERALE DX	DIVIDING PLATE RIGHT	SCHOTT RECHT	CLOISON DROITE
4	146 2092 000	1	SPORTELLO PARATIA DX	INSPECTION DOOR RIGHT	TUERE RECHT	TRAPPE DROITE
5	146 1732 000	1	PARATIA LATERALE SX	DIVIDING PLATE LEFT	SCHOTT LINKS	CLOISON GAUCHE
6	146 1734 000	1	PORTELLO SX	HATCH LEFT	KLAPPE LINKS	TRAPPE GAUCHE
7	146 1741 000	1	GOMMA PROTEZIONE	PROTECTION RUBBER	SCHUTZ	PROTECTION
8	146 2162 000	6	RIVETTO	RIVET	NIET	RIVET
9	33005911	6	RONDELLA PIANA	WASHER	BEILAGSCHEIBE	RONDELLE
10	146 0941 000	1	CHIUSURAA COMPRESSIONE	CLOSURE	VERSCHLUSS	FERMETURE
11	146 0940 000	4	FUNGO PARACOLPO	BUFFER	GUMMIPUFFER	PARACOUP
12	146 0910 000	1	PORTELLO LATERALE DX	HATCH RIGHT	KLAPPE RECHT	TRAPPE DROITE
13	146 0912 000	2	SUPPORTO PORTELLO LATERALE	SUPPORT	HALTER	SUPPORT
14	33004563	8	VITE TSPEI M5X16	SCREW	SCHRAUBE	VIS
15	146 0911 000	1	PORTELLO LATERALE SX	HATCH LEFT	KLAPPE LINKS	TRAPPE GAUCHE
16	146 2115 000	1	CHIUSURAA COMPRESSIONE	CLOSURE	VERSCHLUSS	FERMETURE



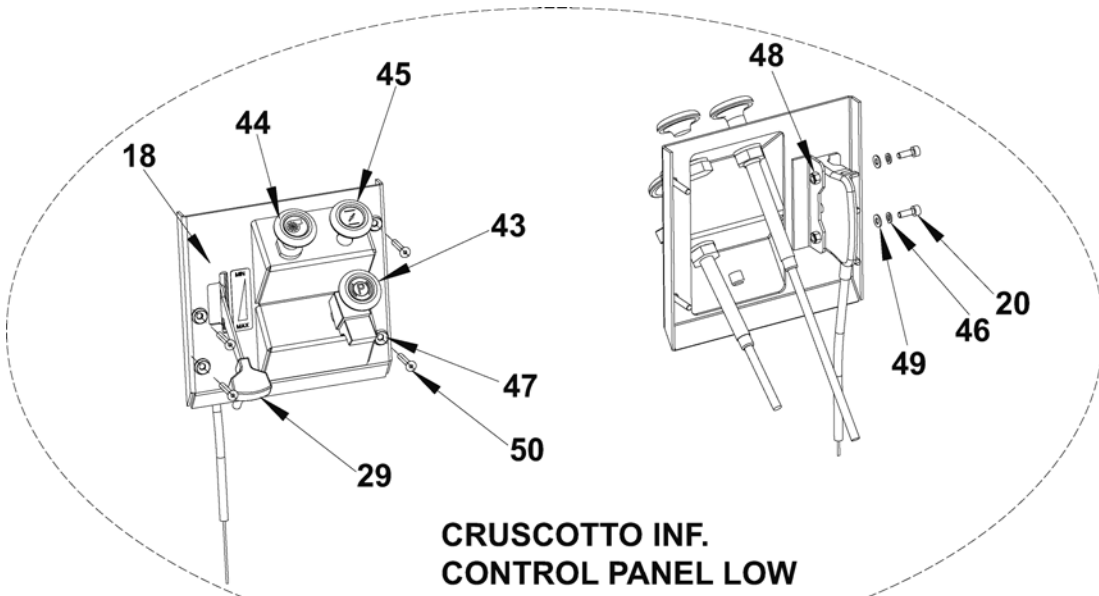
2004-05	PARTICOLARI TELAIO / CHASSIS COMPONENTS	BOOK F		
2007-06	SR 1300H P	F	6.9.1	13

Pos Item Bild Rép	Codice Ref. No. Art. Nr. Réf. No	Q.tà Qty Menge Qté	Descrizione	Description	Beschreibung	Désignation
1	33005851	4	RONDELLA E. SPACCATA	WASHER	BEILAGSCHEIBE	RONDELLE
2	33003975	4	VITE TE M6X20	SCREW	SCHRAUBE	VIS
3	145 1346 000	3	RIVETTO	RIVET	NIET	RIVET
4	33005911	3	RONDELLA PIANA	WASHER	BEILAGSCHEIBE	RONDELLE
5	146 1737 000	1	PROTEZIONE MOTORE	PROTECTION	SCHUTZ	PROTECTION
6	146 1738 000	1	PROTEZIONE MOTORE	PROTECTION	SCHUTZ	PROTECTION
7	146 1739 000	1	PROTEZIONE MOTORE	PROTECTION	SCHUTZ	PROTECTION
8	146 1740 000	1	GOMMA PROTEZIONE MOT.	PROTECTION RUBBER	SCHUTZ	PROTECTION
9	146 1742 000	1	PARATIA VANO MOTORE	DIVIDING PLATE	PLATTE	PLAQUE
10	146 1744 000	1	CARTER CINGHIE TRAMMISSIONE	CRANKCASE	GEHAUSE	CARTER
11	146 1745 000	1	CARTER MOTORE	CRANKCASE	GEHAUSE	CARTER
12	146 2186 000	1	GUARNIZIONE GOMMA NERA	GASKET	DICHTUNG	JOINT
13	33005913	2	RONDELLA PIANA	WASHER	BEILAGSCHEIBE	RONDELLE
14	145 1129 000	4	RONDELLA CURVA	WASHER	BEILAGSCHEIBE	RONDELLE
15	33004576	4	VITE TSPEI M6X16	SCREW	SCHRAUBE	VIS
16	33005913	2	RONDELLA PIANA	WASHER	BEILAGSCHEIBE	RONDELLE
17	33005851	4	RONDELLA SPACCATA	WASHER	BEILAGSCHEIBE	RONDELLE
18	33003974	2	VITE TE M6X16	SCREW	SCHRAUBE	VIS
19	146 1731 000	1	PARATIA ANTERIORE	DIVIDING PLATE	PLATTE	PLAQUE
20	146 1735 000	1	PORTELLO PARATIA ANTERIORE	HATCH FRONT	KLAPPE	TRAPPE
21	146 1743 000	1	STAFFA PARATIA MOTORE	BRACKET	STANGE	SUPPORT
22	146 0956 000	1	PEDANA PEDALIERA	PEDAL FOOT BOARD	PEDAL FUSSBRETT	PLANCHER
23	146 1106 000	1	PEDANA ALLUMINIO	FOOTBOARD	FUSSBRETT	PLANCHER
24	145 4523 000	1	DADO E. BASSO M8	NUT	MUTTER	ECROU
25	33003999	1	VITE TE M8X45	SCREW	SCHRAUBE	VIS
26	146 1141 000	5	RIVETTO	RIVET	NIET	RIVET
27	33005533	1	DADO E. BASSO M8	NUT	MUTTER	ECROU
28	33005843	1	RONDELLA E. SPACCATA 10	WASHER	BEILAGSCHEIBE	RONDELLE
29	145 5742 000	1	VITE TCEI M10X20	SCREW	SCHRAUBE	VIS
30	33004343	2	VITE TCEI M6X12	SCREW	SCHRAUBE	VIS
31	145 9186 000	1	CUSCINETTO	BEARING	LAGER	ROULEMENT
32	33006156	1	SEEGER	RETAINING RING	SICHERUNGSRING	CIRCLIPS
33	145 9129 000	2	RONDELLA	WASHER	BEILAGSCHEIBE	RONDELLE
34	145 9281 000	1	VITE TE M8X30	SCREW	SCHRAUBE	VIS
35	146 0250 000	2	RONDELLA PIANA	WASHER	BEILAGSCHEIBE	RONDELLE
36	146 0548 000	1	DISTANZIALE	SPACER	ABSTANDSTUECK	ENTRETOISE
37	146 1759 000	1	BRACCIO TENDICINGHIA	ARM	ARM	BRAS
38	146 1760 000	1	SUPPORTO TENDICINGHIA	SUPPORT	HALTER	SUPPORT
39	145 1209 000	1	RULLO TENDICINGHIA	ROLLE	ROLLE	ROLEAU

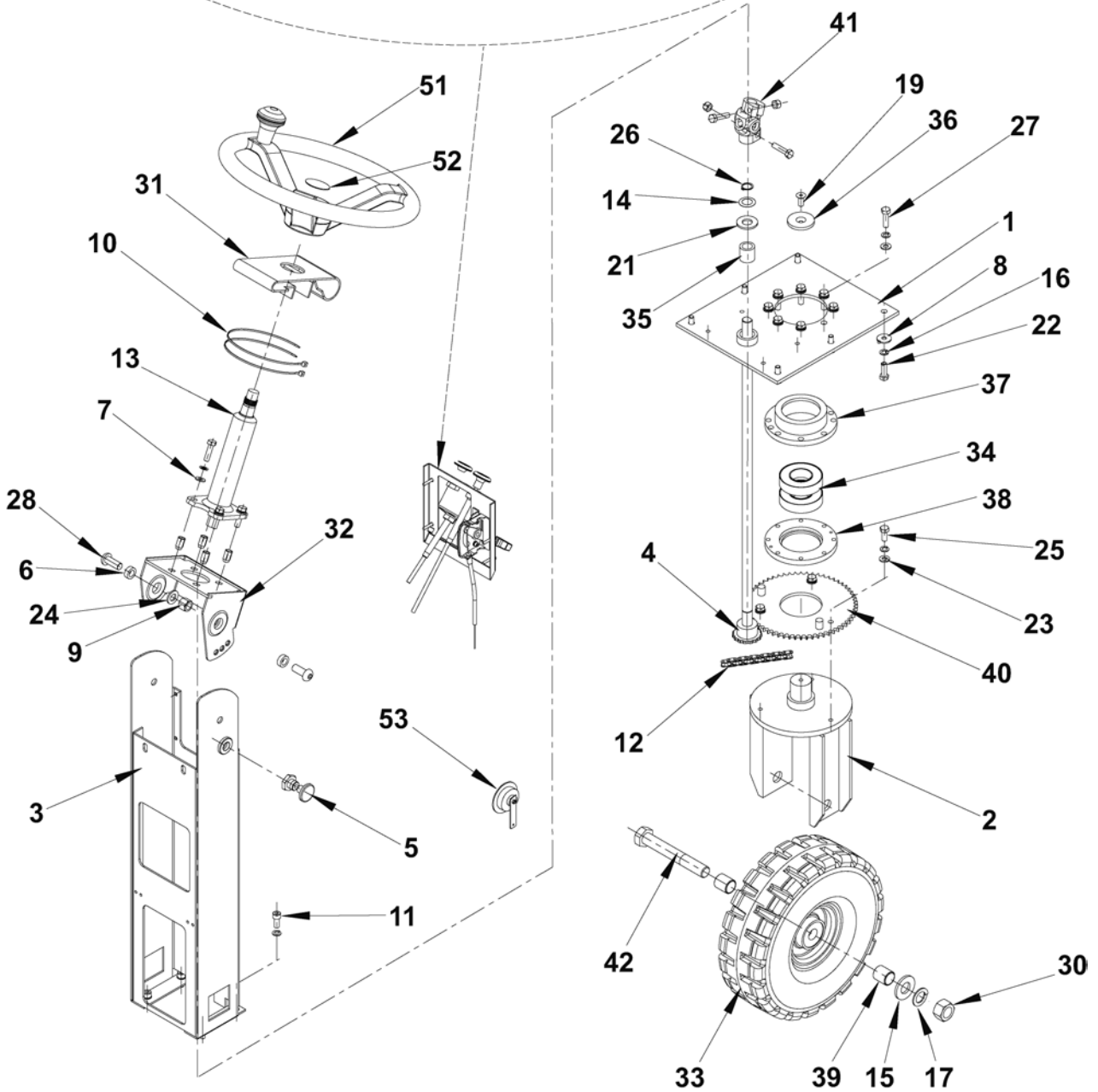


2004-05	GRUPPO TRAZIONE / DRIVE ASSEMBLY	BOOK F		
2007-06	SR 1300H P	F	6.9.1	15

Pos Item Bild Rép	Codice Ref. No. Art. Nr. Réf. No	Q.tà Qty Menge Qté	Descrizione	Description	Beschreibung	Désignation
1	33003827	4	VITE TE M12X30	SCREW	SCHRAUBE	VIS
2	33005843	8	RONDELLA E.SPACCATA 10	WASHER	BEILAGSCHEIBE	RONDELLE
3	145 4509 000	2	RONDELLA PIANA 8,5X38	WASHER FLAT	BEILAGSCHEIBE	RONDELLE
4	33005842	2	RONDELLA E.SPACCATA 8	WASHER	BEILAGSCHEIBE	RONDELLE
5	33006010	8	RONDELLA E.SPACCATA 12	WASHER	BEILAGSCHEIBE	RONDELLE
6	33005534	2	DADO E.BASSO M10	NUT HEX LOW M10	MUTTER	ECROU
7	145 5172 000	4	RONDELLA BONDED	WASHER	BEILAGSCHEIBE	RONDELLE
8	145 5894 000	2	CHIAVETTA 8X7X18	KEY	KEILNUT	CLAVETTE
9	33003720	8	RONDELLA PIANA 12X24	WASHER FLAT	BEILAGSCHEIBE	RONDELLE
10	145 9281 000	2	VITE TE M8X30	SCREW HEX HD M8X30	SCHRAUBE	VIS
11	33005916	8	RONDELLA PIANA 10X21	WASHER FLAT	BEILAGSCHEIBE	RONDELLE
12	33004010	8	VITE TE M10X30	SCREW HEX HD	SCHRAUBE	VIS
13	146 0889 000	2	SUPPORTO MOTORE IDR.	SUPPORT	HALTER	SUPPORT
14	146 0907 000	2	PIGNONE	PINION	RITZEL	PIGNON
15	146 0909 000	2	MOTORE IDRAULICO	HYDR.MOTOR	HYDRAULISCHE MOTOR	MOTEUR
16	146 1011 000	4	VITE M12X30	SCREW M12X30	SCHRAUBE	VIS
17	146 1484 000	2	VITE TE M10X40	SCREW HEX HD M10X40	SCHRAUBE	VIS
18	146 1784 000	6	DISTANZIALE	SPACER	ABSTANDSTUECK	ENTRETOISE
19	146 2075 000	2	PIASTRA FISSAGGIO MOT.	PLATE	PLATTE	PLAQUE
20	145 9178 000	6	DISTANZIALE	SPACER	ABSTANDSTUECK	ENTRETOISE
21	145 4296 000	4	NIPPOLO	NIPPLE	VERBINDUNG	RACCORD DE TUYAU
22	145 8422 000	2	RUOTA POSTERIORE STD	WHEEL REAR	RAD HINTEN	ROUE
22	146 1875 000	2	RUOTA POSTERIORE STD	WHEEL REAR	RAD HINTEN	ROUE
22*	146 0330 000	2	RUOTA POST. ANTITRACCIA	WHEEL REAR NON MARKING	SPURLOSEN RAD HINTEN	ROUE ARRIERE NON MARQU.
23	145 9756 000	2	FRENO POSTERIORE	BRAKE REAR	BREMSE HINTEN	FREIN ARRIERE
24	33004676	12	VITE M6X16	SCREW M6X16	SCHRAUBE	VIS
25	33007664	2	RONDELLA SPACCATA	WASHER	BEILAGSCHEIBE	RONDELLE
26	33005919	2	RONDELLA PIANA	WASHER FLAT	BEILAGSCHEIBE	RONDELLE
27	146 1057 000	2	CATENA	CHAIN	KETTE	CHAINE
28	146 0879 000	1	SUPPORTO RUOTA POST.DX	SUPPORT	HALTER	SUPPORT
29	146 2335 000	1	CAVO FRENO DX	CABLE BRAKE RIGHT	KABEL BREMSE RECHTS	CABLE FREIN DROITE
30	146 0908 000	1	CORONA	CROWN	KRANZ	COURONNE
31	146 2336 000	1	CAVO FRENO SX	CABLE BRAKE LEFT	KABEL BREMSE LINKS	CABLE FREIN GAUCHE
32	146 0880 000	1	SUPPORTO RUOTA POST.SX	SUPPORT	HALTER	SUPPORT
33	145 9206 000	2	DADO	NUT	MUTTER	ECROU



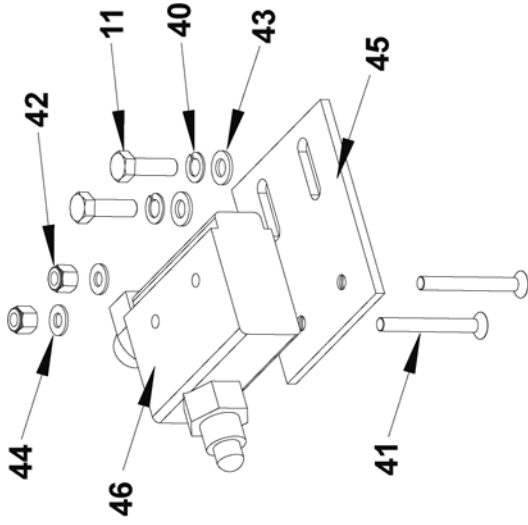
CRUSCOTTO INF.
CONTROL PANEL LOW



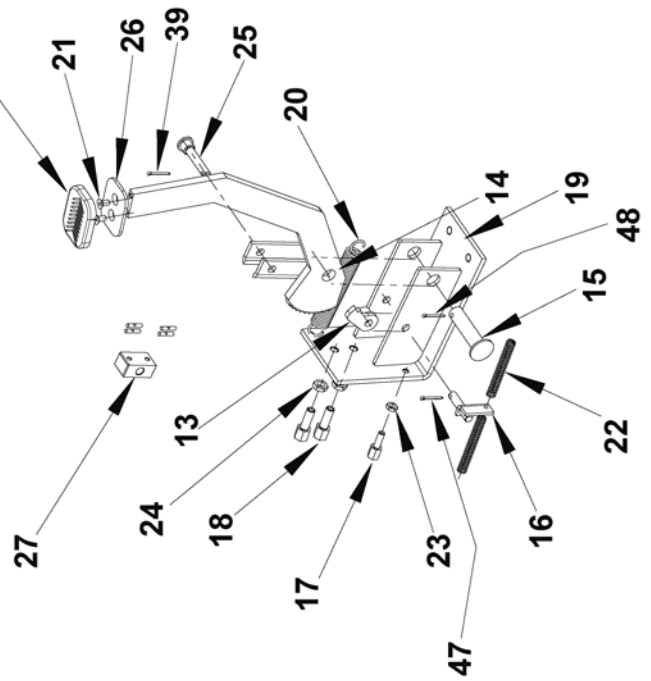
2004-05	GRUPPO STERZO / STEERING ASSEMBLY	BOOK F		
2007-09	SR 1300H P	F	6.9.1	17

Pos Item Bild Rép	Codice Ref. No. Art. Nr. Réf. No	Q.tà Qty Menge Qté	Descrizione	Description	Beschreibung	Désignation
1	145 1847 000	1	PIASTRA PORTA STERZO	PLATE	PLATTE	PLAQUE
2	145 5662 000	1	SUPPORTO RUOTAZ ANTER.	SUPPORT	HALTER	SUPPORT
3	146 0914 000	1	COLONNA STERZO	STEERING COLUMN	LENKSAEULE	COLONNE DE DIRECTION
4	146 0960 000	1	ALBERO STERZO	STEERING WHEEL	LENKWELLE	ARBRE
5	146 0961 000	1	PISTONCINO A MOLLA	PISTON	KOLBEN	PISTON
6	146 0964 000	2	DISTANZIALE	SPACER	ABSTANDSTUECK	ABSTANDSTUECK
7	33005915	4	RONDELLA PIANA	WASHER	BEILAGSCHEIBE	RONDELLE
8#	L08300000	6	RONDELLA PIANA	WASHER	BEILAGSCHEIBE	RONDELLE
9#	L08601000	2	DADO E.AUTOBL.M12	NUT	MUTTER	ECROU
10#	L08812587	2	FASCETTA	CLAMP	SHELLE	COLLIER
11	33004365	4	VITE TCEI M8X20	SCREW	SCHRAUBE	VIS
12	145 1784 000	1	CATENA	CHAIN	KETTE	CHAINE
13	145 1946 000	1	COLONNA STERZO	STEERING COLUMN	LENKSAEULE	COLONNE DE DIRECTION
14	145 2626 000	1	MOLLA A TAZZA	SPRING	FEDER	RESSORT
15	145 4504 000	1	RONDELLA PIANA	WASHER	BEILAGSCHEIBE	RONDELLE
16	33005842	25	RONDELLA E.SPACCATA	WASHER	BEILAGSCHEIBE	RONDELLE
17	33005848	1	RONDELLA E.SPACCATA	WASHER	BEILAGSCHEIBE	RONDELLE
18	146 1863 000	1	CRUSCOTTO INFERIORE	CONTROL PANEL LOW	ABDECKUNG	TABLEAU
19	33004692	1	VITE TSPEI M8X20	SCREW	SCHRAUBE	VIS
20	146 1788 000	2	VITE TCEI M4X12	SCREW	SCHRAUBE	VIS
21	145 8296 000	1	RONDELLA PIANA	WASHER	BEILAGSCHEIBE	RONDELLE
22	33005445	6	VITE TE M8X25	SCREW	SCHRAUBE	VIS
23	33005915	11	RONDELLA PIANA 8X17	WASHER	BEILAGSCHEIBE	RONDELLE
24	33003720	2	RONDELLA PIANA	WASHER	BEILAGSCHEIBE	RONDELLE
25	33005444	3	VITE TE M8X20	SCREW	SCHRAUBE	VIS
26	33006056	1	SEEGER	RETAINING RING	SICHERUNGSRING	CIRCLIPS
27	145 9281 000	12	VITE TE M8X30	SCREW	SCHRAUBE	VIS
28	146 1011 000	2	VITE M12X30	SCREW	SCHRAUBE	VIS
29	146 1102 000	1	CAVO ACCELERATORE	ACCELERATOR CABLE	KABEL	CABLE
30	146 1486 000	1	DADO E.M20	NUT	MUTTER	ECROU
31	146 1668 000	1	GOMMA CHIUSURA STERZO	STEERING CLOSURE RUBBER	GUMMI	CAOUTCHOU FERMETURE
32	146 2030 000	1	SOSTEGNO MOBILE ALBERO	SUPPORT	HALTER	SUPPORT
33	145 9494 000	1	RUOTA ANTERIORE STD	WHEEL FRONT	RAD VORNE	ROUE AVANT
33	146 1876 000	1	RUOTA ANTERIORE STD	WHEEL FRONT	RAD VORNE	ROUE AVANT
33*	146 0329 000	1	RUOTA ANT.ANTITRACCIA	WHEEL FRONT NON MARK.	SPURLOSE RAD VORNE	ROUE AVANT NON MARQU.
34	145 2357 000	2	CUSCINETTO	BALL BEARING	LAGER	ROULEMENT
35	145 9505 000	1	BOCCOLA	BUSHING	BUECHSE	BAGUE
36	145 2585 000	1	RONDELLA	WAHER	BEILAGSCHEIBE	RONDELLE
37	145 2586 000	1	FLANGIA PORTACUSCINETTO	FLANGE	FLANSCH	FLASQUE
38	145 2587 000	1	FLANGIA PORTACUSCINETTO	FLANGE	FLANSCH	FLASQUE
39	145 9586 000	2	DISTANZIALE	SPACER	ABSTANDSTUECK	ENTRETOISE
40	145 2714 000	1	CORONA STERZO	STEERING CROWN	LENKKRANZ	COURONNE
41	145 9619 000	1	GIUNTO	JOINT	KUPPLUNG	JOINT
42	33003913	1	VITE TE M20X140	SCREW	SCHRAUBE	VIS
43	146 0991 000	1	CAVO BLOCCO FRENO	CABLE BRAKE BLOCK	KABEL	CABLE
44	146 0992 000	1	CAVO CHIUSURA ASP.	CABLE VACUUM CONTR.	KABEL	CABLE
45	146 1101 000	1	CAVO STARTER	CABLE STARTER	KABEL	CABLE
46	33005838	2	RONDELLA SPACCATA	WASHER	BEILAGSCHEIBE	RONDELLE
47	145 4514 000	4	RONDELLA CURVA	WASHER	BEILAGSCHEIBE	RONDELLE
48	145 5743 000	2	DADO E.BASSO AUTOBL.M4	NUT	MUTTER	ECROU
49	33005911	2	RONDELLA PIANA	WASHER	BEILAGSCHEIBE	RONDELLE
50	146 0963 000	4	VITE TSPEI 4X25	SCREW	SCHRAUBE	VIS
51	146 1722 000	1	VOLANTE	STEERINGWHEEL	LENKRAD	VOLANT
52	145 8753 000	1	TAPPO	CAP	PFROPFEN	BOUCHON
53	145 3801 000	1	CLACSON	HORN	HUEPE	AVERTISSEUR

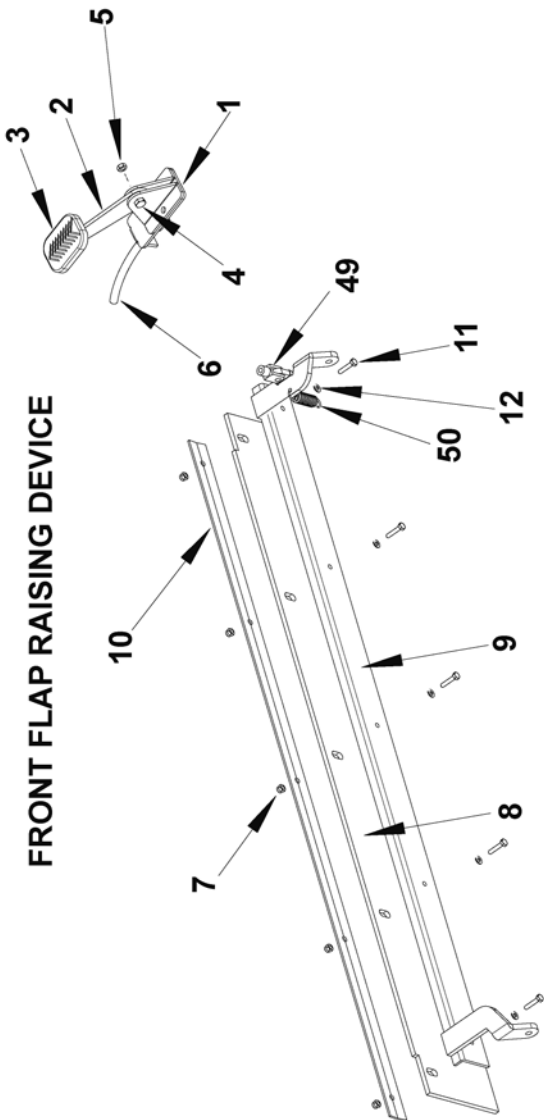
MICROSWITCH BACKWARD ASSEMBLY



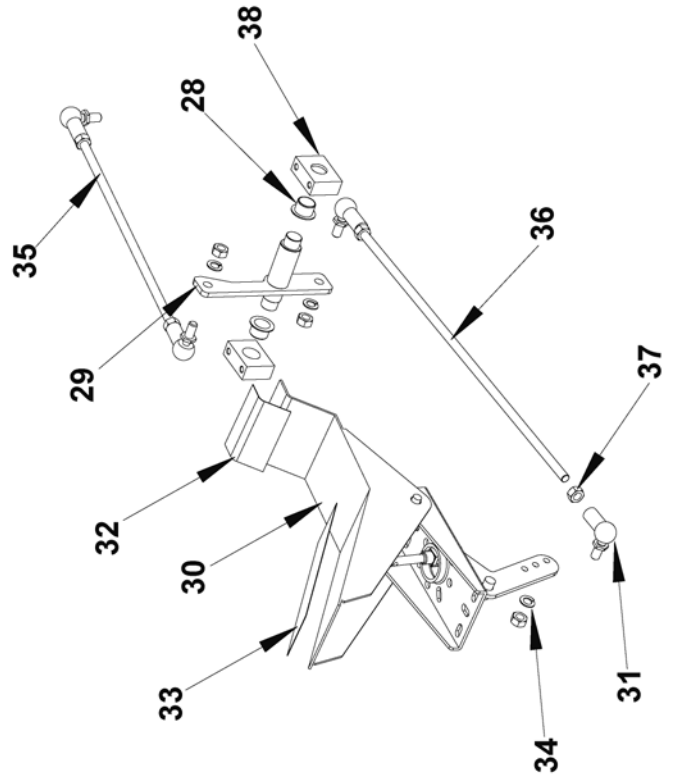
BRAKE PEDAL ASSEMBLY



FRONT FLAP RAISING DEVICE

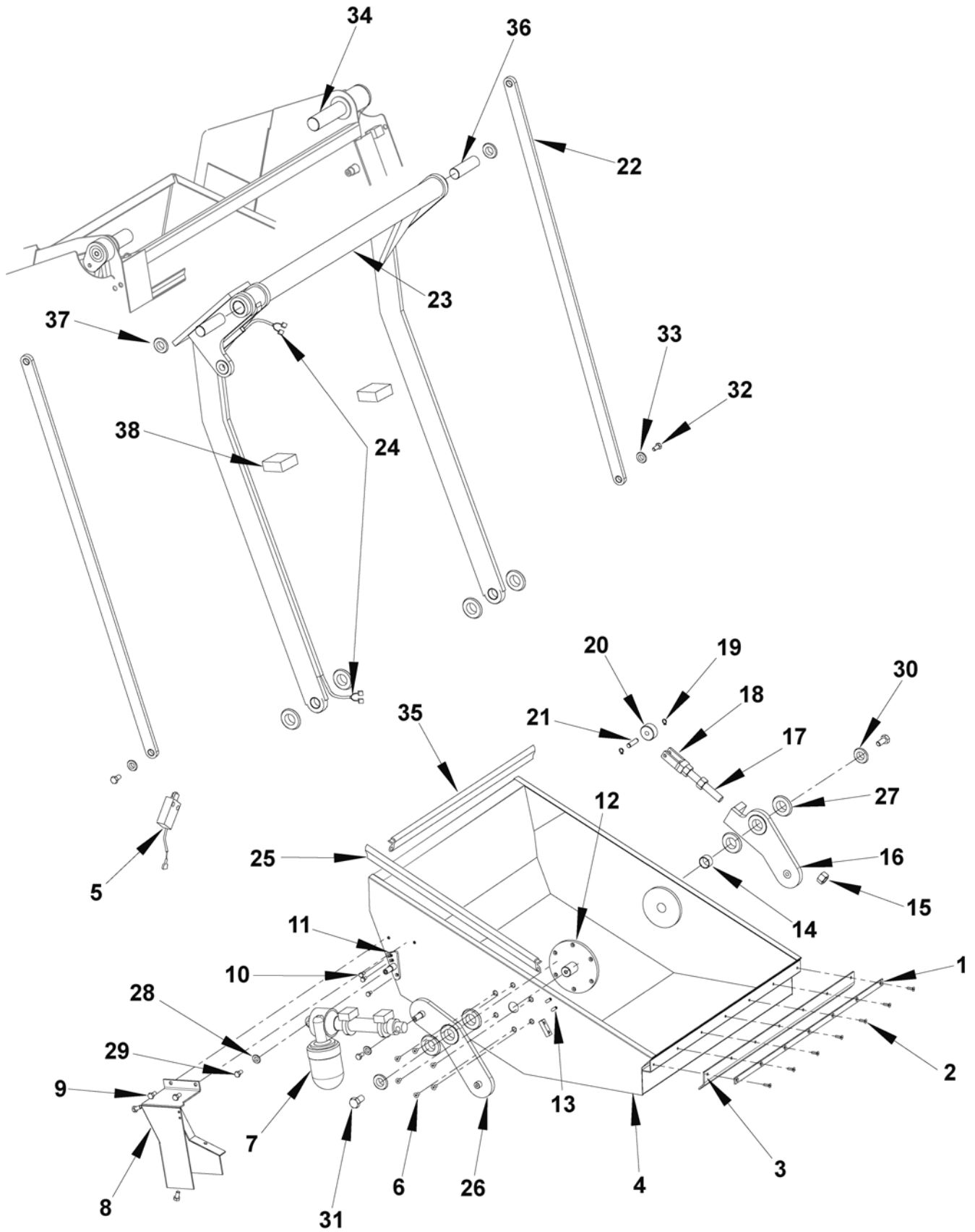


ACCELERATOR PEDAL ASSEMBLY



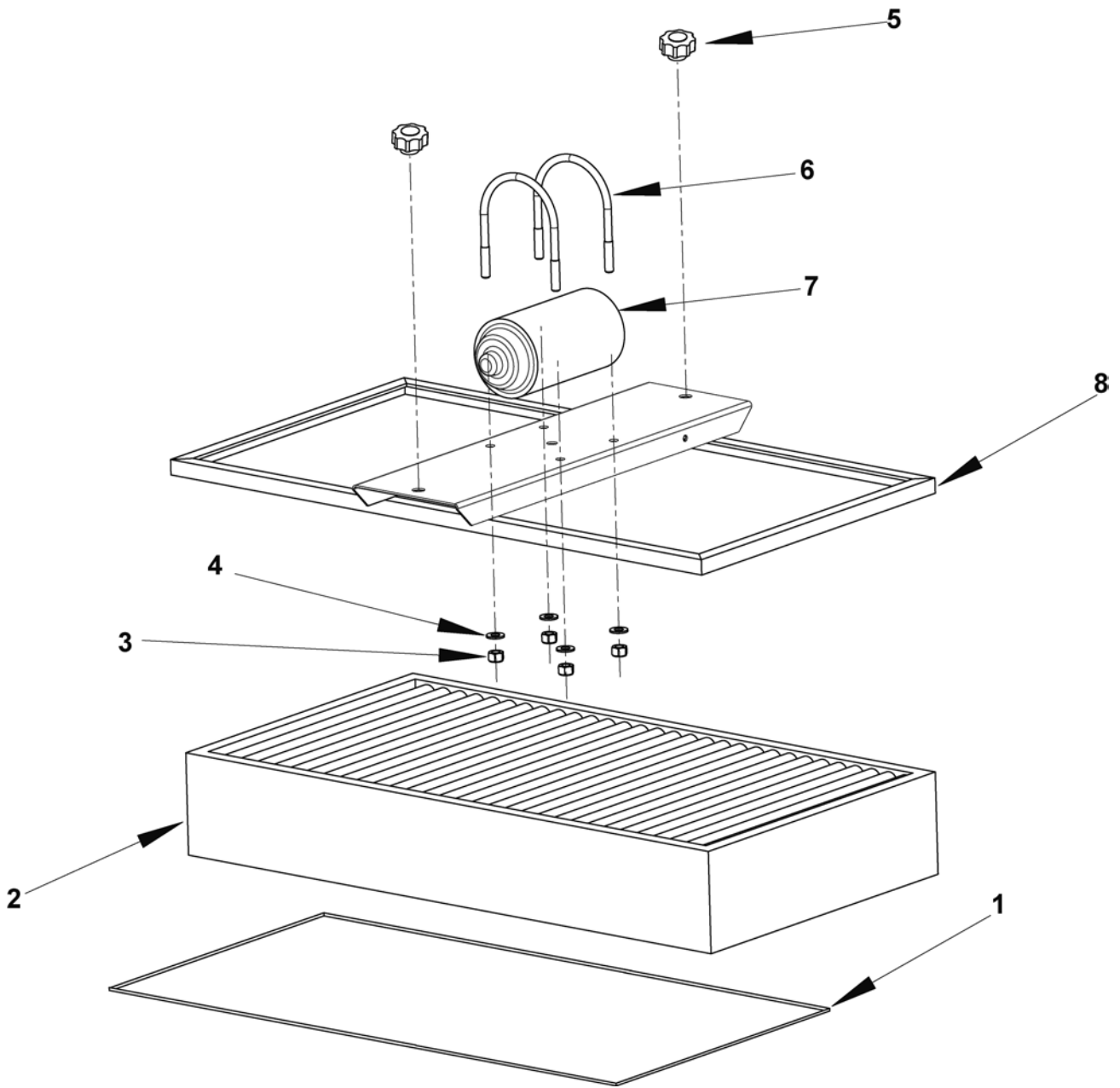
2004-05	GRUPPO PEDALI DI COMANDO / CONTROL PEDALS ASSEMBLY		BOOK F		
2007-09	SR 1300H P		F	6.9.1	19

Pos Item Bild Rép	Codice Ref. No. Art. Nr. Réf. No	Q.tà Qty Menge Qté	Descrizione	Description	Beschreibung	Désignation
1	145 1839 000	1	SUPPORTO PEDALE	SUPPORT	HALTER	SUPPORT
2	145 1841 000	1	PEDALE ALZA FLAP	FLAP RAISING PEDAL	PEDAL	PEDALE
3	145 8478 000	2	COPRI PEDALE	COVER	PEDAL ABDECKUNG	HOUSSE PEDALE
4	33003975	1	VITE TE M6X20	SCREW HEX HD M6X20	SCHRAUBE	VIS
5	33005562	1	DADO ES. AUTOBL. M6	NUT HEX SELF LOCK M6	MUTTER	ECROU
6	146 2860 000	1	CAVO ALZA FLAP	FLAP RAISING CABLE	KABEL	CABLE
7	33005603	5	DADO ES. AUTOBL. M5	NUT HEX SELF LOCK M5	MUTTER	ECROU
8	145 4653 000	1	FLAP ANTERIORE	FRONT FLAP	GUMMILIPPE VORNE	BAVETTE AVANT
8*	146 1152 000	1	FLAP ANT. ANTITRACCIA	NON MARKING FRONT FLAP	SPURLOSE GUMMIL.VORNE	BAVETTE NON MARQ.AVANT
9	145 1872 000	1	ALZAFLAP	FLAP RAISING DEVICE	GUMMILIPPE AUFHEBUNG	RELEVE BAVETTE
10	145 4655 000	1	PIATTINA FLAP ANTERIORE	PLATE	PLATTE	PLAQUE
11	33003962	7	VITE TE M5X16	SCREW HEX HD M5X16	SCHRAUBE	VIS
12	145 9144 000	5	RONDELLA PIANA	WASHER FLAT	BEILAGSCHEIBE	RONDELLE
13	146 1392 000	1	AGGANCIO DENTATO	HOOK	HAKEN	CROCHET
14	146 0982 000	1	PEDALE FRENO	BRAKE PEDAL	BREMSPEDAL	PEDALE FREIN
15	146 1391 000	1	PERNO	PIN	STIFT	AXE
16	146 1412 000	1	PERNO AGGANCIO	PIN	STIFT	AXE
17	145 1179 000	1	REGISTRO	REGISTER	REGLER	VIS DE REGLAGE
18	145 9283 000	2	REGISTRO	REGISTER	REGLER	VIS DE REGLAGE
19	146 0985 000	1	SUPPORTO PEDALE FRENO	SUPPORT	HALTER	SUPPORT
20	146 0986 000	1	MOLLA FRENO	SPRING	FEDER	RESSORT
21	33004560	2	VITE TSPEI M5X10	SCREW	SCHRAUBE	VIS
22	145 1935 000	2	MOLLA	SPRING	FEDER	RESSORT
23	33005531	1	DADO ES. BASSO M6	NUT HEX M6	MUTTER	ECROU
24	33005533	2	DADO ES. BASSO M8	NUT HEX M8	MUTTER	ECROU
25	146 1411 000	1	PERNO	PIN	STIFT	AXE
26	146 0989 000	1	PIASTRA PEDALE	PLATE	PEDAL PLATTE	PLAQUE
27	146 1410 000	1	PIASTRINA FISSACAVI	PLATE	PLATTE	PLAQUE
28	146 0903 000	2	CUSCINETTO	BEARING	LAGER	ROULEMENT
29	146 0900 000	1	LEVA TRAZIONE	LEVER	HEBEL	LEVIER
30	146 1091 000	1	PEDALE AVANZAMENTO	PEDAL	PEDAL	PEDALE
31	145 9768 000	4	TESTA SNO DATA M8	ARTICULATED HEAD	GELENKKOPF	ROTULE
32	146 1074 000	1	ANTISCIVOLO	MAT	GLEITSCHUTZ	ANTIDERAPANT
33	146 0888 000	1	ANTISCIVOLO	MAT	GLEITSCHUTZ	ANTIDERAPANT
34	33005842	3	RONDELLA SPACCATA	WASHER	BEILAGSCHEIBE	RONDELLE
35	146 1077 000	1	BARRA FILETTATA	BAR THD	STANGE	BARRE
36	146 1078 000	1	BARRA FILETTATA	BAR THD	STANGE	BARRE
37	145 9123 000	7	DADO E.M8	NUT HEX M8	MUTTER	ECROU
38	146 1087 000	2	BLOCCHETTO FISSAG.LEVA	LEVER FIXING BLOCK	ANPASSKOERPER	BLOC FIXAGE LEVIER
39	145 9765 000	1	COPIGLIA	SPLIT PIN	SPLINT	GOUPILLE
40	33005839	2	RONDELLA SPACCATA	WASHER	BEILAGSCHEIBE	RONDELLE
41	330045554	2	VITE TSPEI M4X35	SCREW	SCHRAUBE	VIS
42	33005602	2	DADO ES. AUTOBL. M4	NUT HEX SELFLOCK. M4	MUTTER	ECROU
43	145 9133 000	2	RONDELLA PIANA 5X10	WASHER FLAT	BEILAGSCHEIBE	RONDELLE
44	33005911	2	RONDELLA PIANA 4X9	WASHER FLAT	BEILAGSCHEIBE	RONDELLE
45	146 2072 000	1	PIASTRA SUPPORTO MICRO	PLATE	PLATTE	PLAQUE
46	145 8854 000	1	MICROINTERRUPTORE	MICROSWITCH	MIKROSCHALTER	MICROINTERRUPTEUR
47#	L08600669	1	COPIGLIA	SPLIT PIN	SPLINT	GOUPILLE
48	145 8299 000	1	COPIGLIA	SPLIT PIN	SPLINT	GOUPILLE
49	145 4535 000	1	FOCELLA M6 CORTA	FORK	GABELSTUECK	FOURCHETTE
50	145 9579 000	1	MOLLA	SPRING	FEDER	RESSORT



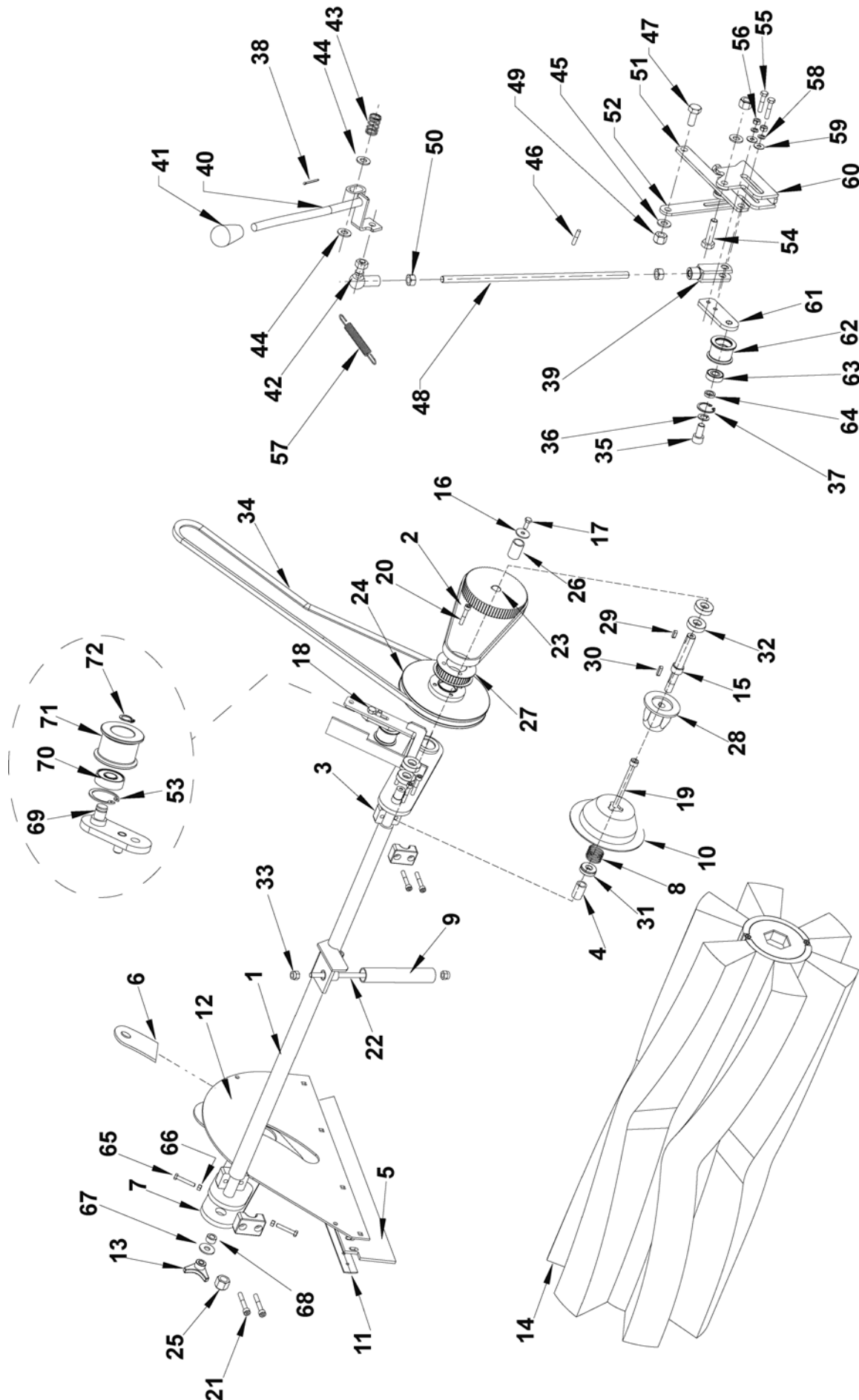
2004-05	GRUPPO CASSONE / WASTE CONTAINER ASSEMBLY	BOOK F		
2007-06	SR 1300H P	F	6.9.1	21

Pos Item Bild Rép	Codice Ref. No. Art. Nr. Réf. No	Q.tà Qty Menge Qté	Descrizione	Description	Beschreibung	Désignation
1	146 0995 000	1	PIATTINA GUARNIZIONE	PLATE	PLATTE	PLAQUE
2	xxxxxxxxxx	7	VITE TSPEI M5X16	SCREW	SCHRAUBE	VIS
3	146 0882 000	1	GUARNIZIONE CASSONE	GASKET	DICHTUNG	JOINT
4	146 1228 000	1	CASSONE RIFIUTI	WASTE CONTAINER	SCHMUTZBEHAELTER	BAC A DECHET
5	146 0848 000	1	MICROINTERRUPTORE 16A	MICROSWITCH	MIKROSCHALTER	MICROINTERRUPTEUR
6	xxxxxxxxxx	6	VITE TSPEI M6X12	SCREW	SCHRAUBE	VIS
7	146 1093 000	1	MARTINETTO	JACK MOTOR	WAGENHEBER	CRIC
8	146 1229 000	1	CARTER MARTINETTO	PROTECTION	SCHUTZ	PROTECTION
9	xxxxxxxxxx	2	VITE TE M8X16	SCREW	SCHRAUBE	VIS
10	xxxxxxxxxx	3	VITE TE M6X12	SCREW	SCHRAUBE	VIS
11	146 0994 000	1	PERNO FISSAGGIO ATTUAT.	PIN, JACK MOT. FIXING	STIFT	AXE
12	146 0993 000	1	PERNO CASSONE	PIN, WASTE CONTAINER	STIFT	AXE
13	xxxxxxxxxx	2	GRANO	DOWEL	DUEBEL	GOUPILLE
14	xxxxxxxxxx	4	BOCCOLA	BUSH	BUCHSE	BAGUE
15	xxxxxxxxxx	3	DADO M16	NUT	MUTTER	ECROU
16	146 0930 000	1	BRACCIO SX CONTENITORE	ARM LEFT	ARM LINKS	BRAS GAUCHE
17	146 0937 000	1	BARRA FILETTATA	BAR	STANGE	BARRE
18	146 0934 000	1	FORCELLA	FORK	GABELSTUECK	FOURCHETTE
19	xxxxxxxxxx	2	SEEGER	SEEGER	SICHERUNGSRING	CIRCLIPS
20	xxxxxxxxxx	1	DISTANZIALE	SPACER	ABSTANDSTUECK	ENTRETOISE
21	xxxxxxxxxx	1	ALBERO DISTANZIALE	SHAFT	WELLE	ARBRE
22	146 0935 000	2	LEVA SINGOLA SOLLEVAM.	LEVER	HEBEL	LEVER
23	146 0881 000	1	SUPPORTO LEVE SOLLEVAM.	SUPPORT	HALTER	SUPPORT
24	146 0853 000	1	CABLAGGIO CASSONE	WASTE CONT. HARNESS	LITZENSSET SCHMUTZBEAH.	CABLAGE BAC A DECHET
25	146 1159 000	1	GUARNIZIONE LATERALE CAS.	GASKET SIDE WASTE CONT	DICHTUNG	JOINT
26	146 1227 000	1	BRACCIO DX CONTENITORE	ARM RIGHT	ARM RECHTS	BRAS DROITE
27	xxxxxxxxxx	8	DISTANZIALE	SPACER	ABSTANDSTUECK	ENTRETOISE
28	xxxxxxxxxx	2	RONDELLA ES.SPAC. 6	WASHER	BEILAGSCHEIBE	RONDELLE
29	xxxxxxxxxx	2	VITE TCEI M6X20	SCREW	SCHRAUBE	VIS
30	xxxxxxxxxx	2	RONDELLA PIANA 10X30	WASHER FLAT	BEILAGSCHEIBE	RONDELLE
31	xxxxxxxxxx	2	VITE TSPEI M8X16	SCREW	SCHRAUBE	VIS
32	xxxxxxxxxx	2	VITE TSPEI M6X16	SCREW	SCHRAUBE	VIS
33	xxxxxxxxxx	2	RONDELLA PIANA 8X32	WASHER FLAT	BEILAGSCHEIBE	RONDELLE
34	146 1000 000	2	PERNO DX-SX	PIN RIGHT-LEFT	STIFT RECHTS-LINKS	AXE DROITE-GAUCHE
35	146 1160 000	1	GUARNIZIONE POST. CASSONE	GASKET REAR WASTE CONT.	DICHTUNG HINT. SCHMUTZBE.	JOINT ARR.BAC A DECHET
36	146 1050 000	2	BOCCOLA 30X40	BUSHING	BUCHSE	BAGUE
37	146 1203 000	2	DISTANZIALE	SPACER	ABSTANDSTUECK	ENTRETOISE
38	146 0958 000	2	BARRA GUIDA LEVE	BAR	STANGE	BARRE
0	146 1190 000	1	KIT VITERIA GRUPPO CASSONE (2,6,9,10,13,14,15,19,20,21,27,28,29,30,31,32,33)	WASTECONTAINER HARDWARE KIT (2,6,9,10,13,14,15,19,20,21,27,28,29,30,31,32,33)	ZUSATZ SCHRAUBEN SCHMUTZBEHAELTER (2,6,9,10,13,14,15,19,20,21,27,28,29,30,31,32,33)	KIT VIS BAC A DECHET (2,6,9,10,13,14,15,19,20,21,27,28,29,30,31,32,33)



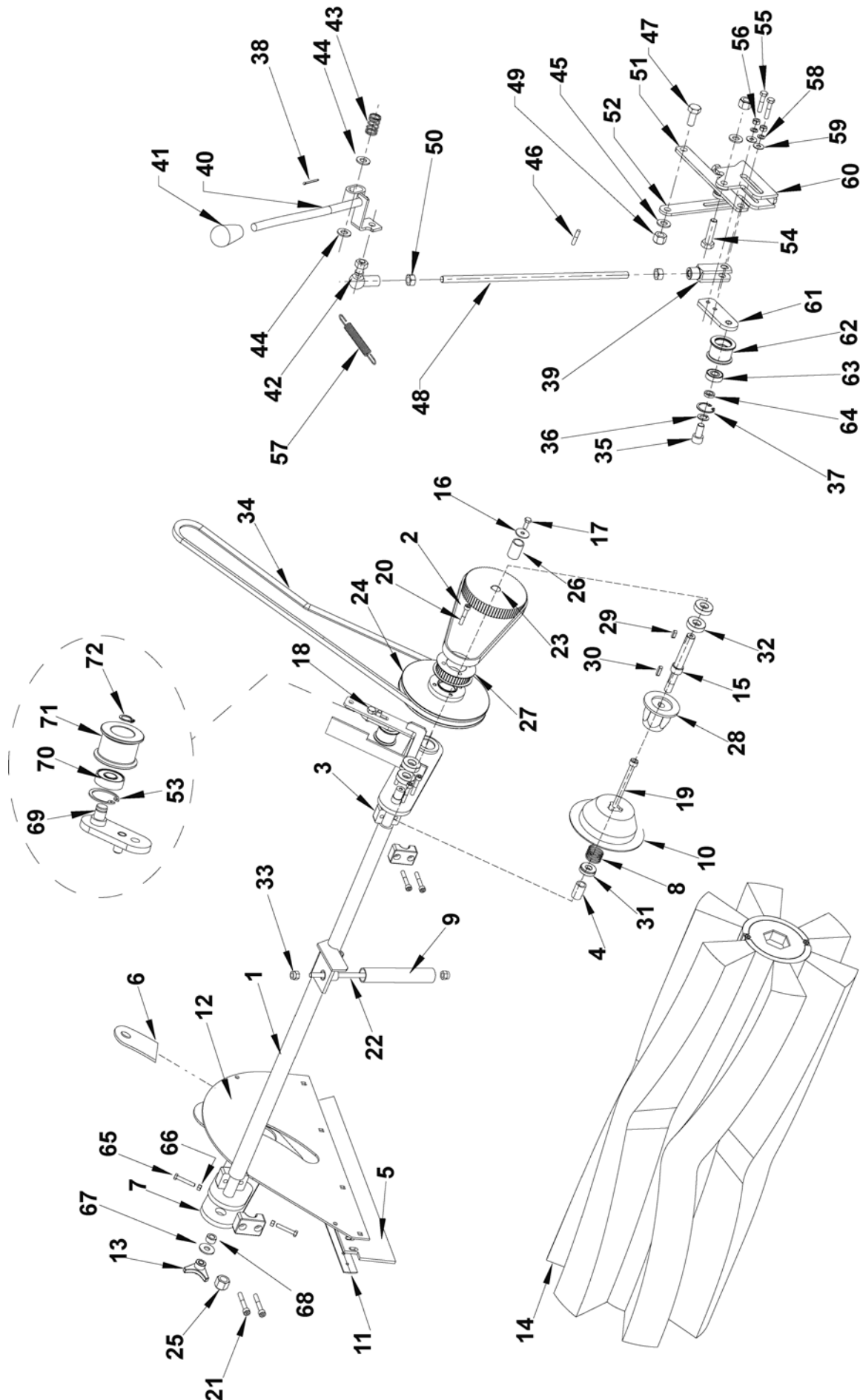
2004-05	GRUPPO FILTRO / FILTER ASSEMBLY	BOOK F		
2007-06	SR 1300H P	F	6.9.1	23

Pos Item Bild Rép	Codice Ref. No. Art. Nr. Réf. No	Q.tà Qty Menge Qté	Descrizione	Description	Beschreibung	Désignation
1	146 1158 000	1	GUARNIZIONE FILTRO	GASKET	DICHTUNG	JOINT
2	145 5665 000	1	FILTRO IN CARTA	PAPER FILTER	PAPIER FILTER	PAPIER FILTER
2*	145 6013 000	1	FILTRO IN POLIESTERE	POLYESTER FILTER	POLYESTER FILTER	POLYESTER FILTER
3	33005607	4	DADO ES. AUTOBL.M8	NUT SELFLOCKING M8	MUTTER	ECROU
4	33005915	4	RONDELLA PIANA	WASHER FLAT	BEILAGSCHEIBE	RONDELLE
5	145 5035 000	2	POMELLO	HANDWHEEL	KUEGELGRIFF	BOULE
6	146 0072 00	2	FASCETTA	CLAMP	PASSRING	COLLIER
7	146 1104 000	1	MOTORE SCUOTIFILTRO 90W	FILTER SHAKER MOTOR	FILTERRUETTLER	FILTER SECOUER
8	146 0904 000	1	TELAIO FILTRO IN CARTA	FILTER FRAME	FILTER RAHMEN	FILTER SUPPORT
0*	146 2182 000	1	KIT FILTRO A SACCHE	KIT CLOTH POCKET FILTER	ZUSATZ SACKFILTER	KIT FILTRE A POCHE



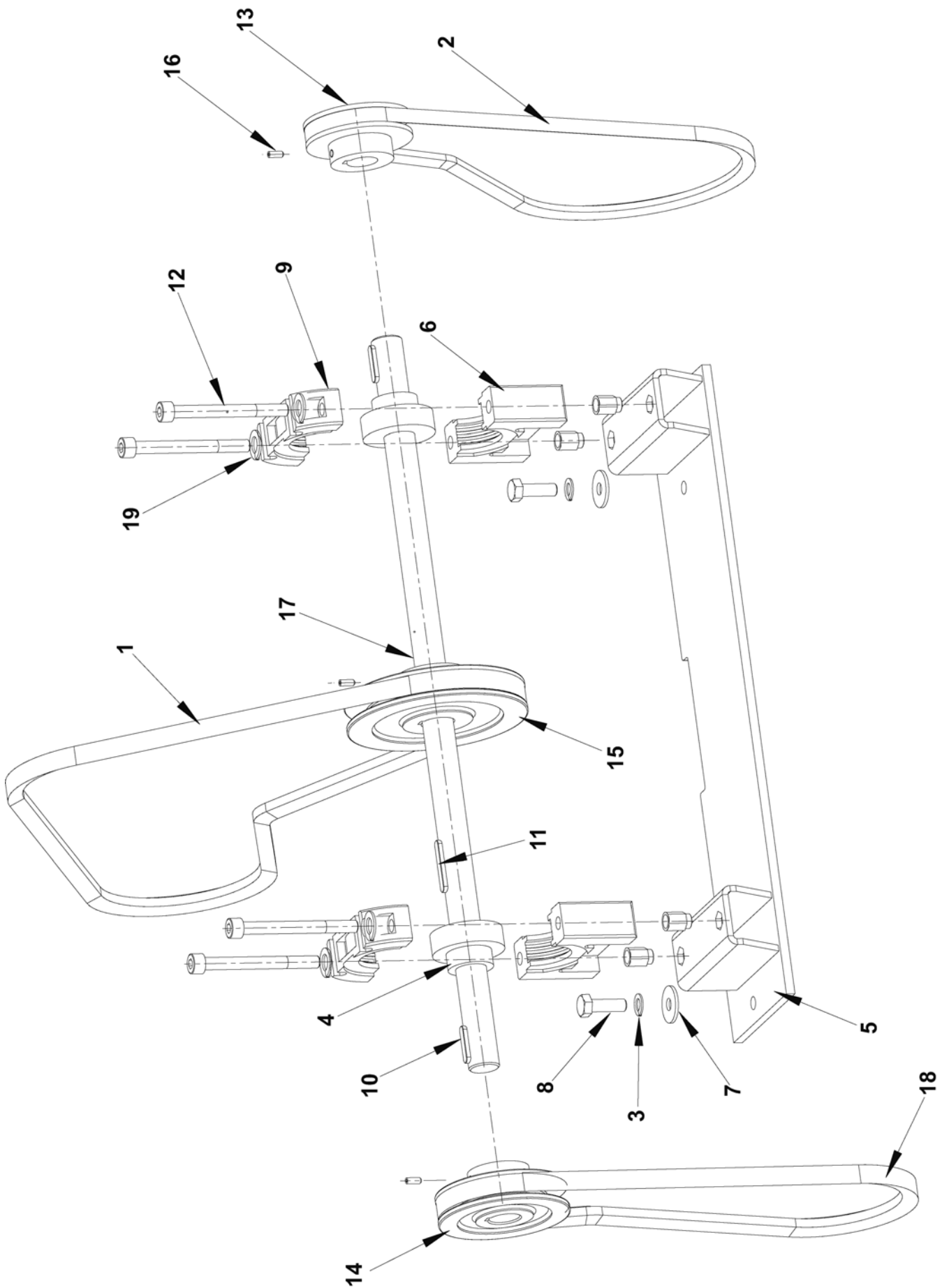
2004-05	GRUPPO SPAZZOLA CENTRALE / MAIN BROOM ASSEMBLY		BOOK F		
2007-06	SR 1300H P		F	6.9.1	25

Pos Item Bild Rép	Codice Ref. No. Art. Nr. Réf. No	Q.tà Qty Menge Qté	Descrizione	Description	Beschreibung	Désignation
1	146 0873 000	1	ALBERO SPAZZOLA CENTRALE	MAIN BROOM SHAFT	WELLE	ARBRE
2	146 0855 000	1	CINGHIA	BELT	RIEMEN	COURROIE
3	145 1891 000	2	COLLARE	COLLAR	SHELLE	COLLIER
4	145 2662 000	1	DISTANZIALE	SPACER	ABSTANDSTUECK	ENTRETOISE
5	145 5927 000	1	FLAP LATERALE	SIDE FLAP	SEITEN GUMMILIPPE	BAVETTE LATERAL
5*	146 1150 000	1	FLAP LAT. ANTITRACCIA	NON MARKING SIDE FLAP	SPURLOSE GUMMILIP. SEIT.	BAV LATER.NON MARQUANTE
6	146 1168 000	1	GOMMA PROT.SPAZZ.	PROTECTION RUBBER	GUMMISCHUTZ	PROTECTION
7	146 1236 000	1	LEVA SPAZZOLA CENTR	LEVER	HEBEL	LEVER
8	145 0271 000	1	MOLLA	SPRING	FEDER	RESSORT
9	146 0878 000	1	MOLLA	SPRING	FEDER	RESSORT
10	145 0269 000	1	MOZZO	HUB	NABE	MOYEU
11	145 5929 000	1	PIATTINA	PLATE	PLATTE	PLAQUE
12	145 1827 000	1	PORTELLO	HATCH	KLAPPE	TRAPPE
13	145 5035 000	1	VOLANTINO	KNOB	HANDRAD	MOLETTE
14	146 1018 000	1	SPAZ.CENTR.PPL 0,8 STD	MAIN BROOM PPL 0,8 STD	HAUPTKEHRWALZE PPL 0,8	BALAI CENTRAL PPL 0,8
14*	145 6135 000	1	SPAZ.CENTR.SAGGINA	MAIN BROOM NAT. FIBRE	HAUPTKEHRW. MOHRENFAS.	BALAI CENTRAL VEGETAL
14*	145 4963 000	1	SPAZ.CENTR.MISTA AC.	MAIN BROOM STEEL MIX	HAUPTKEHRW.STAHL GEM.	BALAI C.ACIER MELANGE
15	146 0872 000	1	PERNO SPAZZOLA CENTR.	PIN	STIFT	AXE
16	xxxxxxxxxx	1	RONDELLA PIANA	WASHER FLAT	BEILAGSCHEIBE	RONDELLE
17	xxxxxxxxxx	1	VITE 6X16	SCREW	SCHRAUBE	VIS
18	xxxxxxxxxx	1	VITE TE 8X20	SCREW HEX HD 8X20	SCHRAUBE	VIS
19	xxxxxxxxxx	1	VITE TCEI 12X60	SCREW 12X60	SCHRAUBE	VIS
20	xxxxxxxxxx	4	VITE TCEI 6X35	SCREW 6X35	SCHRAUBE	VIS
21	xxxxxxxxxx	4	VITE TCEI 6X40	SCREW 6X40	SCHRAUBE	VIS
22	146 0971 000	1	BARRA FILETTATA	ROD	STANGE	BARRE
23	146 0875 000	1	PULEGGIA	PULLEY	SCHEIBE	POULIE
24	146 0972 000	1	PULEGGIA	PULLEY	SCHEIBE	POULIE
25	xxxxxxxxxx	1	DADO	NUT	MUTTER	ECROU
26	146 0876 000	1	DISTANZIALE	SPACER	ABSTANDSTUECK	ENTRETOISE
27	146 0874 000	1	PULEGGIA	PULLEY	SCHEIBE	POULIE
28	146 1041 000	1	TRASCINATORE	HUB	NABE	MOYEU
29	146 1017 000	1	LINGUETTA	TAB	KEIL	CLAVETTE
30	145 9774 000	1	CHIAVETTA	KEY	KEILNUT	CLAVETTE
31	145 0270 000	1	CUSCINETTO	BALL BEARING	LAGER	ROULEMENT
32	145 8196 000	4	CUSCINETTO	BALL BEARING	LAGER	ROULEMENT
33	xxxxxxxxxx	2	DADO	NUT	MUTTER	ECROU
34	146 0896 000	1	CINGHIA	BELT	RIEMEN	COURROIE
35	145 5742 000	1	VITE TCEI M10X20	SCREW	SCHRAUBE	VIS
36	33005843	1	RONDELLA SPACCATA 10	WASHER	BEILAGSCHEIBE	RONDELLE
37	xxxxxxxxxx	1	SEEGER	RETAINING RING	SICHERUNGSRING	CIRCLIPS
38	33005786	1	COPIGLIA	SPLIT PIN	SPLINT	GOUPILLE
39	145 9666 000	1	FORCELLA M10	FORK	GABELSTUECK	FOURCHETTE
40	146 0997 000	1	LEVA SOLLEVAMENTO SP.	LEVER	HEBEL	LEVIER
41	146 0975 000	1	POMELLO LEVA	KNOB	KUGELGRIFF	BOULE
42	145 9769 000	1	TESTA SNODATA	ARTICULATED HEAD	GELENKKOPF	ROTULE
43	145 9578 000	1	MOLLA PER LEVA	SPRING	FEDER	RESSORT
44	xxxxxxxxxx	2	RONDELLA PIANA	WASHER	BEILAGSCHEIBE	RONDELLE
45	xxxxxxxxxx	4	RONDELLA PIANA	WASHER	BEILAGSCHEIBE	RONDELLE
46	146 2069 000	1	PERNO	PIN	STIFT	AXE
47	xxxxxxxxxx	1	VITE TE M10X25	SCREW	SCHRAUBE	VIS
48	146 0996 000	1	BARRA FILETTATA	BAR THD	STANGE	BARRE
49	145 4518 000	1	DADO ES. AUTOBL.M10	NUT HEX SELFLOCKING M10	MUTTER	ECROU
50	xxxxxxxxxx	2	DADO E.M10	NUT	MUTTER	ECROU
51	146 1757 000	1	PIATTO BILANCERE	PLATE	PLATTE	PLAQUE
52	146 0999 000	1	LEVA	LEVER	HEBEL	LEVIER



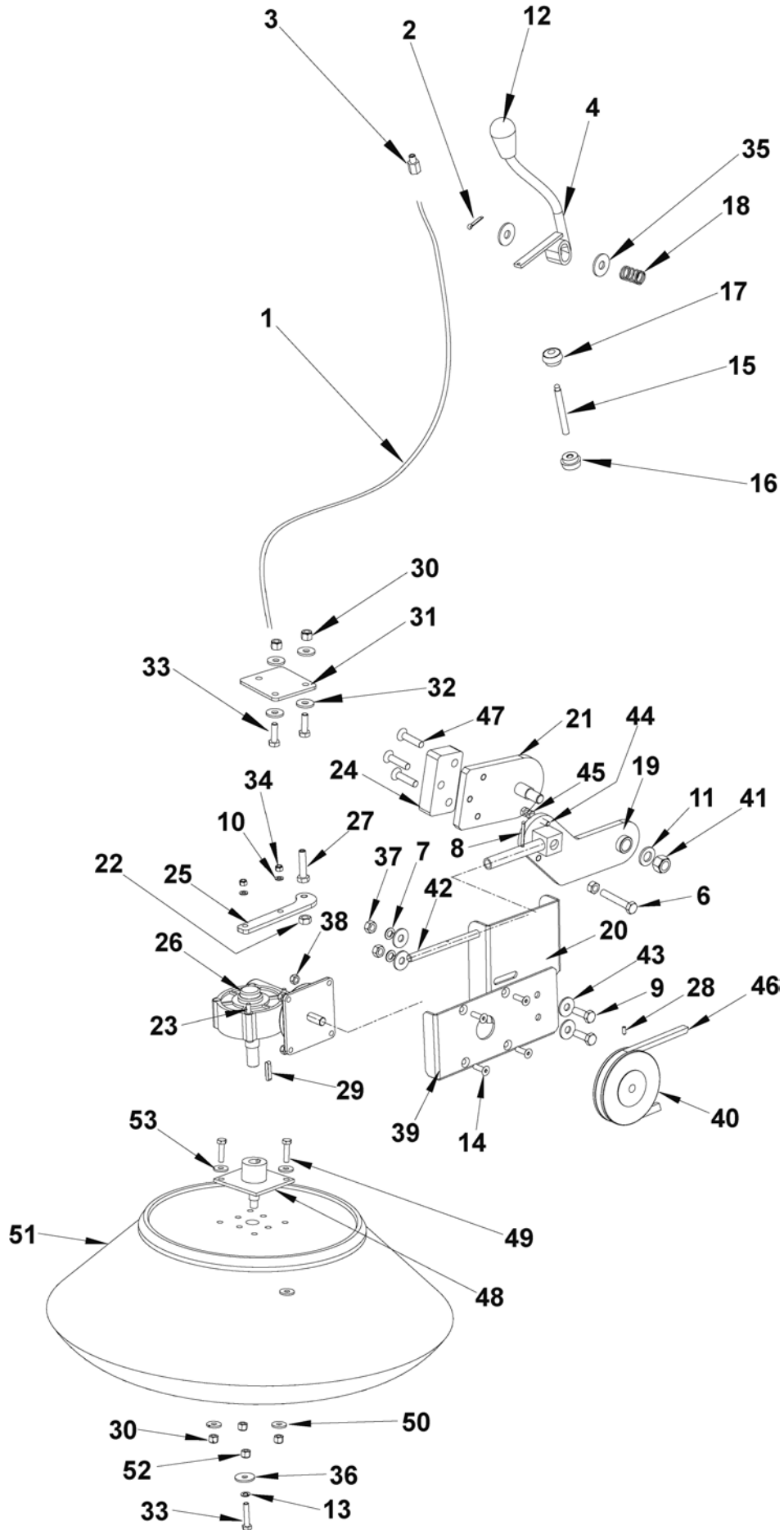
2004-05	GRUPPO SPAZZOLA CENTRALE / MAIN BROOM ASSEMBLY	BOOK F		
2007-06	SR 1300H P	F	6.9.1	27

Pos Item Bild Rép	Codice Ref. No. Art. Nr. Réf. No	Q.tà Qty Menge Qté	Descrizione	Description	Beschreibung	Désignation
53	33006156	1	SEEGER	RETAINING RING	SICHERUNGSRING	CIRCLIPS
54	146 1484 000	1	VITE TE M10X40	SCREW HEX HD M10X40	SCHRAUBE	VIS
55	146 1758 000	2	VITE TE M6X30	SCREW HEX HD M6X30	SCHRAUBE	VIS
56	145 9154 000	2	DADO ES.M6	NUT HEX M6	MUTTER	ECROU
57	145 0262 000	1	MOLLA PER TENDICATENA	SPRING	FEDER	RESSORT
58	33005851	2	RONDELLA SPACCATA	WASHER	BEILAGSCHEIBE	RONDELLE
59	146 0250 000	2	RONDELLA PIANA 6X16	WASHER	BEILAGSCHEIBE	RONDELLE
60	146 1748 000	1	SUPPORTO STAFFA	SUPPORT	HALTER	SUPPORT
61	146 1747 000	1	BRACCIO TENDICINGHIA	ARM	ARM	BRAS
62	145 1209 000	1	RULLO TENDICINGHIA	ROLLER	ROLLE	ROULEAU
63	145 9186 000	1	CUSCINETTO	BEARING	LAGER	ROULEMENT
64	146 0548 000	1	DISTANZIALE	SPACER	ABSTANDSTUECK	ENTRETOISE
65	33003965	2	VITE TE M5X30	SCREW	SCHRAUBE	VIS
66	145 9134 000	2	DADO E. M5	NUT	MUTTER	ECROU
67	145 1344 000	1	RONDELLA PIANA 8X24 INOX	WASHER	BEILAGSCHEIBE	RONDELLE
68	146 1237 000	1	BOCCOLA LEVA SPAZZOLA	BUSHING	BUECHSE	BAGUE
69	146 0877 000	1	LEVA CON PERNO	LEVER	HEBEL	LEVIER
70	145 9186 000	1	CUSCINETTO	BEARING	LAGER	ROULEMENT
71	145 1209 000	1	RULLO TENDICINGHIA	ROLLER	ROLLE	ROULEAU
72	xxxxxxxxxx	1	SEEGER	RETAINING RING	SICHERUNGSRING	CIRCLIPS
0	146 1191 000	1	KIT VITERIA SPAZZOLA CENTRALE (6,16,17,18,19,20,21 ,25,29,30,33,37,44,45,47,50,72)	MAIN BROOM ASSEMBLY HARDWARE KIT (6,16,17,18,1 9,20,21,25,29,30,33,37,44,45,4 7,50,72)	ZUSATZ SCHRAUBEN HAUPKEHRWALZE (6,16,17,18 ,19,20,21,25,29,30,33,37,44,45 ,47,50,72)	KIT VIS GROUPE BALAI CENTRALE (6,16,17,18,19,20,21 ,25,29,30,33,37,44,45,47,50,72)



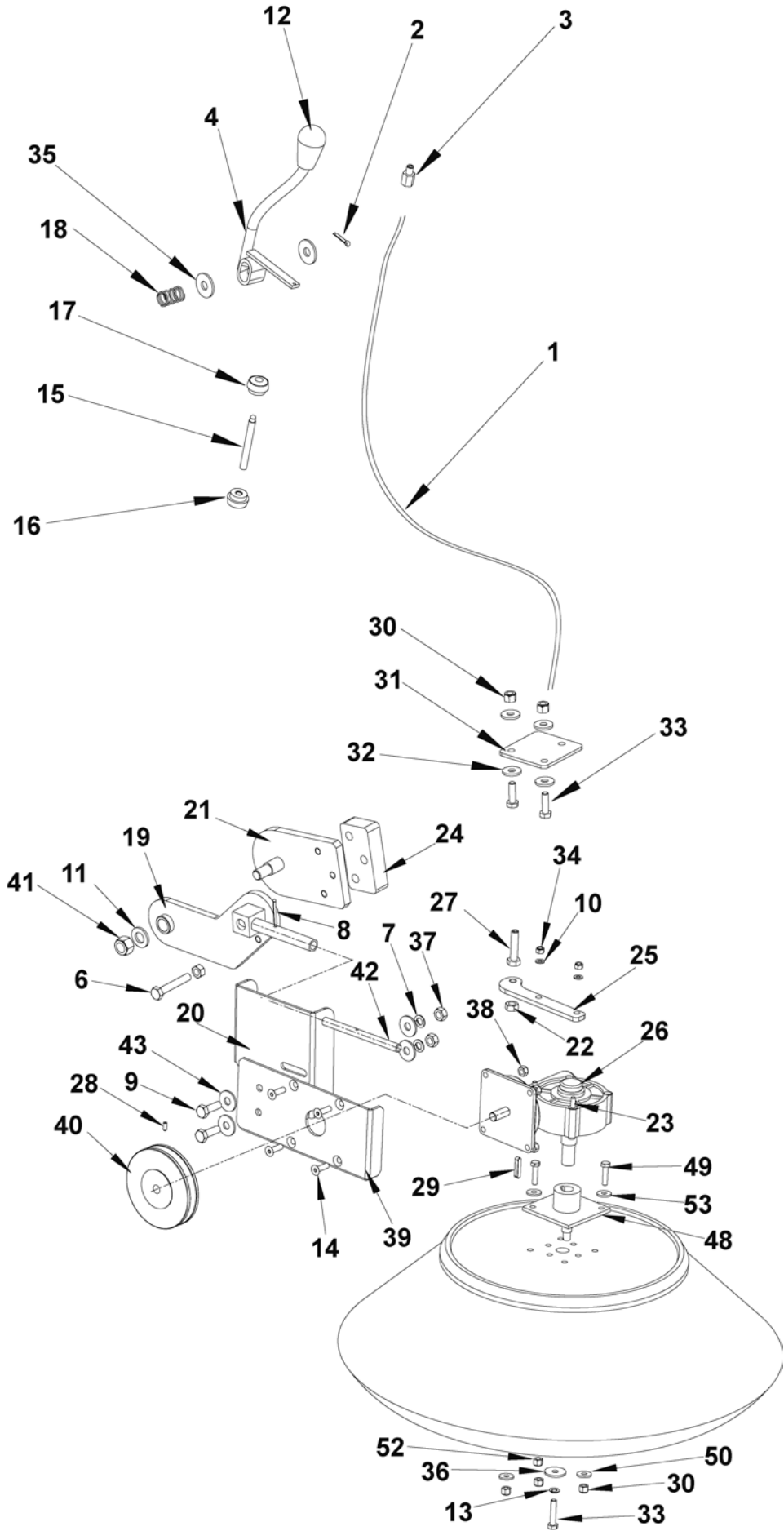
2004-05	GRUPPO TRAZ. SPAZZOLE / BROOMS TRACTION SYSTEM	BOOK F		
2007-09	SR 1300H P	F	6.9.1	29

Pos Item Bild Rép	Codice Ref. No. Art. Nr. Réf. No	Q.tà Qty Menge Qté	Descrizione	Description	Beschreibung	Désignation
1	146 1094 000	1	CINGHIA	BELT	RIEMEN	COURROIE
2	146 0896 000	1	CINGHIA	BELT	RIEMEN	COURROIE
3	33005842	2	RONDELLA EL.SPACCATA	WASHER	BEILAGSCHEIBE	RONDELLE
4	145 1123 000	2	CUSCINETTO	BEARING	LAGER	ROULEMENT
5	146 0899 000	1	SUPPORTO ALBERO TRAZIONE	SUPPORT	HALTER	SUPPORT
6	145 1976 000	2	SUPPORTO CUSCINETTO INF.	SUPPORT UPPER	HALTER	SUPPORT
7#	L08300000	2	RONDELLA PIANA	WASHER	BEILAGSCHEIBE	RONDELLE
8	33005445	2	VITE TE M8X25	SCREW HEX HD M8X25	SCHRAUBE	VIS
9	145 1977 000	2	SUPPORTO CUSCINETTO SUP.	SUPPORT LOWER	HALTER	SUPPORT
10	145 9899 000	2	LINGUETTA	TAB	KEIL	CLAVETTE
11	145 9776 000	1	CHIAVETTA	KEY	KEILNUT	CLAVETTE
12	145 5741 000	4	VITE TCEI M8X80	SCREW M8X25	SCHRAUBE	VIS
13	146 1072 000	1	PULEGGIA	PULLEY	SCHEIBE	POULIE
14	146 1080 000	1	PULEGGIA	PULLEY	SCHEIBE	POULIE
15	146 1067 000	1	PULEGGIA	PULLEY	SCHEIBE	POULIE
16	146 1533 000	3	GRANO	DOWEL	DUEBEL	GOUPILLE
17	146 0893 000	1	ALBERO DI RINVIO	SHAFT	WELLE	ARBRE
18	146 2104 000	1	CINGHIA	BELT	RIEMEN	COURROIE
19	145 1119 000	4	RONDELLA ZIGRINATA M8	WASHER	BEILAGSCHEIBE	RONDELLE



2004-05	GRUPPO SPAZ.LAT.DESTRA / RIGHT SIDE BROOM ASSEMBLY		BOOK F		
2007-09	SR 1300H P		F	6.9.1	31

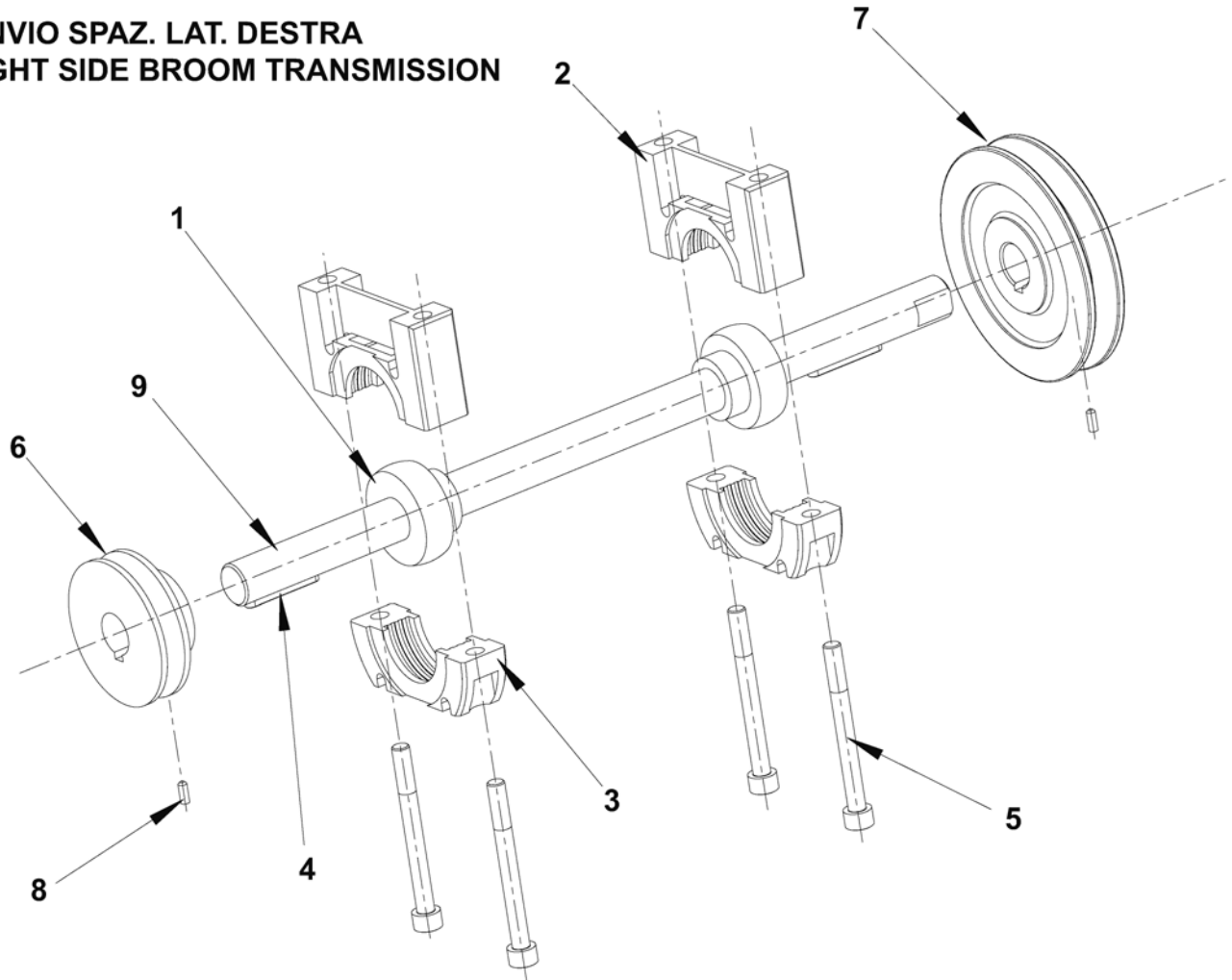
Pos Item Bild Rép	Codice Ref. No. Art. Nr. Réf. No	Q.tà Qty Menge Qté	Descrizione	Description	Beschreibung	Désignation
1	146 0927 000	1	CAVO SPAZ. LATERALE	CABLE	KABEL	CABLE
2	33005786	1	COPIGLIA	SPLIT PIN	SPLINT	GOUPILLE
3	145 9283 000	1	REGISTRO	SCREW	REGLER	VIS DE REGLAGE
4	146 0926 000	1	LEVA SPAZ. LATERALE	LEVER	HEBEL	LEVER
6	33004000	1	VITE TE M8X50	SCREW	SCHRAUBE	VIS
7	33005842	2	RONDELLA E.SPACCATA 8	WASHER	BEILAGSCHEIBE	RONDELLE
8	145 8002 000	1	COPIGLIA	SPLIT PIN	SPLINT	GOUPILLE
9	33005445	2	VITE TE M8X25	SCREW	SCHRAUBE	VIS
10	145 9133 000	4	RONDELLA PIANA	WASHER	BEILAGSCHEIBE	RONDELLE
11	33003720	1	RONDELLA PIANA	WASHER	BEILAGSCHEIBE	RONDELLE
12	146 0975 000	1	POMELLO LEVA	KNOB	KUEGELGRIFF	BOULE
13	33005851	1	RONDELLA SPACCATA	WASHER	BEILAGSCHEIBE	RONDELLE
14	33004578	4	VITE TSPEI M6X20	SCREW	SCHRAUBE	VIS
15	145 2432 000	1	FERMO COMANDO SPAZ.	RETAINER	HALTER	SUPPORT
16	145 9754 000	1	VOLANTINO	KNOB	HANDRAD	MOLETTE
17	145 9755 000	1	VOLANTINO	KNOB	HANDRAD	MOLETTE
18	145 9578 000	1	MOLLA	SPRING	FEDER	RESSORT
19	146 1089 000	1	SUPPORTO PERNO	SUPPORT	HALTER	SUPPORT
20	146 1090 000	1	SUPPORTO SPAZZOLA LAT DX	SUPPORT	HALTER	SUPPORT
21	146 1092 000	1	SUPPORTO DI FISSAGGIO	SUPPORT	HALTER	SUPPORT
22	145 4523 000	2	DADO E. BASSO M8	NUT HEX LOW M8	MUTTER	ECROU
23	146 1714 000	2	VITE TCEI M5X45	SCREW	SCHRAUBE	VIS
24	146 2079 000	1	DISTANZIALE	SPACER	ABSTANDSTUECK	ENTRETOISE
25	146 2078 000	1	STAFFA PER RIDUTTORE	BAR	STANGE	BARRE
26	145 2324 000	1	RIDUTTORE DX	REDUCTION GEAR	VERMIENDERUNGSGETRIEBE	REDUCTEUR
27	145 0234 000	1	REGISTRO	ADJUSTER	REGLER	VIS DE REGLAGE
28	146 1782 000	1	GRANO	DOWEL	STIFT	GOUPILLE
29	145 8024 000	1	LINGUETTA	TAB	KEIL	CLAVETTE
30	33005562	2	DADO ES.AUTOBL. M6	NUT HEX SELFLOCK. M6	MUTTER	ECROU
31	146 2158 000	1	PIASTRINA SPAZ. LATERALE	PLATE	PLATTE	PLAQUE
32	145 9229 000	4	RONDELLA PIANA	WASHER	BEILAGSCHEIBE	RONDELLE
33	33003975	3	VITE TE M6X20	SCREW	SCHRAUBE	VIS
34	33005603	2	DADO ES.BASSO AUTOBL M5	NUT SELFLOCK LOW M5	MUTTER	ECROU
35	33005916	2	RONDELLA PIANA 10X21	WASHER	BEILAGSCHEIBE	RONDELLE
36	145 9129 000	1	RONDELLA PIANA 6X24	WASHER	BEILAGSCHEIBE	RONDELLE
37	33005504	2	DADO ES. M8	NUT	MUTTER	ECROU
38	33005604	4	DADO ES.BASSO AUTOBL M6	NUT	MUTTER	ECROU
39	146 1088 000	1	SUPPORTO SPAZ. LAT. DX	SUPPORT	HALTER	SUPPORT
40	146 2893 000	1	PULEGGIA	PULLEY	SCHEIBE	POULIE
41	146 0973 000	1	DADO E.BASSO AUTOBL.M12	NUT HEX LOW SELF LOCK M12	MUTTER	ECROU
42	146 0913 000	1	PERNO SPAZZOLA LATERALE	PIN	STIFT	AXE
43#	L08300000	4	RONDELLA PIANA 8X24	WASHER	BEILAGSCHEIBE	RONDELLE
44	33003979	1	VITE TE M6X40	SCREW	SCHRAUBE	VIS
45	33005531	1	DADO E. BASSO M6	NUT	MUTTER	ECROU
46	146 2895 000	1	CINGHIA	BELT	RIEMEN	COURROIE
47	146 1749 000	3	VITE TSPEI M8X35	SCREW	SCHRAUBE	VIS
48	146 2751 000	1	MOZZO SPAZ. LATERALE	HUB	NABE	MOYEU
49	33003788	2	VITE TE M6X30	SCREW	SCHRAUBE	VIS
50	33005913	2	RONDELLA PIANA 6X12	WASHER	BEILAGSCHEIBE	RONDELLE
51	146 1025 000	1	SPAZ. LAT. 280X500 PPL STD	SIDE BROOM PPL 1,4 STD	SEITEN BESEN PPL1,4	BROSSE LATERAL PPL 1,4
51*	146 1148 000	1	SPAZ. LAT. SAGGINA	SIDE BROOM NATURALE FIBRE	SEIT.BESEN MOHRENFAS.	BROSSE LATERAL VEGETAL
51*	146 1149 000	1	SPAZ. LAT. MISTO ACCIAIO	SIDE BROOM STEEL MIX	SEIT.BESEN STAHL GEMIS.	BROSSE LAT.ACCIER MEL.
52	33005565	2	DADO E.BASSO AUTOBL.M8	NUT HEX LOW SELF LOCK M8	MUTTER	ECROU
53	33005915	2	RONDELLA PIANA M8	WASHER	BEILAGSCHEIBE	RONDELLE



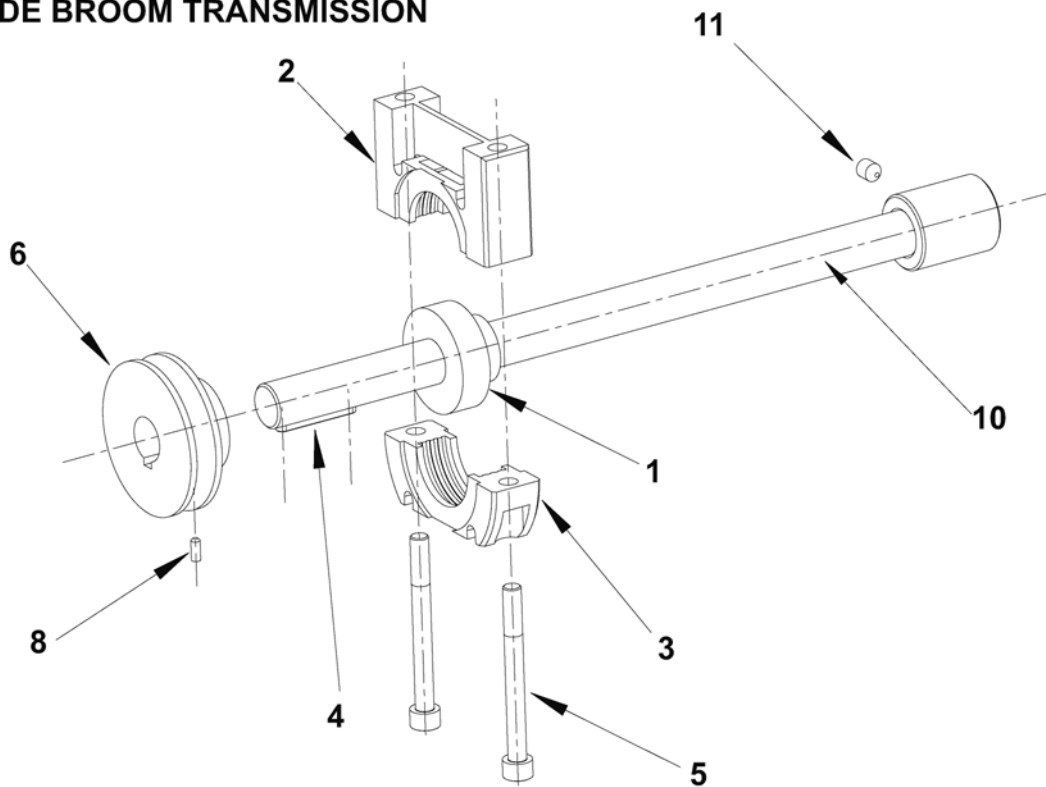
2004-05	GRUPPO SPAZ.LAT.SINISTRA / LEFT SIDE BROOM ASSEMBLY	BOOK F		
2007-09	SR 1300H P	F	6.9.1	33

Pos Item Bild Rép	Codice Ref. No. Art. Nr. Réf. No	Q.tà Qty Menge Qté	Descrizione	Description	Beschreibung	Désignation
1	146 1133 000	1	CAVO SPAZ. LATERALE	CABLE	KABEL	CABLE
2	33005786	1	COPIGLIA	SPLIT PIN	SPLINT	GOUPILLE
3	145 9283 000	1	REGISTRO	SCREW	REGLER	VIS DE REGLAGE
4	146 1132 000	1	LEVA SPAZ. LATERALE	LEVER	HEBEL	LEVER
6	33004000	1	VITE TE M8X50	SCREW	SCHRAUBE	VIS
7	33005842	2	RONDELLA E.SPACCATA 8	WASHER	BEILAGSCHEIBE	RONDELLE
8	145 8002 000	1	COPIGLIA	SPLIT PIN	SPLINT	GOUPILLE
9	33005445	2	VITE TE M8X25	SCREW	SCHRAUBE	VIS
10	145 9133 000	4	RONDELLA PIANA	WASHER	BEILAGSCHEIBE	RONDELLE
11	33003720	1	RONDELLA PIANA	WASHER	BEILAGSCHEIBE	RONDELLE
12	146 0975 000	1	POMELLO LEVA	KNOB	KUEGELGRIFF	BOULE
13	33005851	1	RONDELLA SPACCATA	WASHER	BEILAGSCHEIBE	RONDELLE
14	33004578	4	VITE TSPEI M6X20	SCREW	SCHRAUBE	VIS
15	145 2432 000	1	FERMO COMANDO SPAZ.	RETAINER	HALTER	SUPPORT
16	145 9754 000	1	VOLANTINO	KNOB	HANDRAD	MOLETTE
17	145 9755 000	1	VOLANTINO	KNOB	HANDRAD	MOLETTE
18	145 9578 000	1	MOLLA	SPRING	FEDER	RESSORT
19	146 1226 000	1	SUPPORTO PERNO	SUPPORT	HALTER	SUPPORT
20	146 0923 000	1	SUPPORTO SPAZZOLA LAT SX	SUPPORT	HALTER	SUPPORT
21	146 1092 000	1	SUPPORTO DI FISSAGGIO	SUPPORT	HALTER	SUPPORT
22	145 4523 000	2	DADO E. BASSO M8	NUT HEX LOW M8	MUTTER	ECROU
23	146 1714 000	2	VITE TCEI M5X45	SCREW	SCHRAUBE	VIS
24	146 2079 000	1	DISTANZIALE	SPACER	ABSTANDSTUECK	ENTRETOISE
25	146 2078 000	1	STAFFA PER RIDUTTORE	BAR	STANGE	BARRE
26	145 2325 000	1	RIDUTTORE SX	REDUCTION GEAR	VERMIENDERUNGSGETRIEBE	REDUCTEUR
27	145 0234 000	1	REGISTRO	ADJUSTER	REGLER	VIS DE REGLAGE
28	146 1782 000	1	GRANO	DOWEL	STIFT	GOUPILLE
29	145 8024 000	1	LINGUETTA	TAB	KEIL	CLAVETTE
30	33005562	2	DADO ES.AUTOBL. M6	NUT HEX SELFLOCK. M6	MUTTER	ECROU
31	146 2158 000	1	PIASTRINA SPAZ. LATERALE	PLATE	PLATTE	PLAQUE
32	145 9229 000	4	RONDELLA PIANA	WASHER	BEILAGSCHEIBE	RONDELLE
33	33003975	3	VITE TE M6X20	SCREW	SCHRAUBE	VIS
34	33005603	2	DADO ES.BASSO AUTOBL M5	NUT SELFLOCK LOW M5	MUTTER	ECROU
35	33005916	2	RONDELLA PIANA 10X21	WASHER	BEILAGSCHEIBE	RONDELLE
36	145 9129 000	1	RONDELLA PIANA 6X24	WASHER	BEILAGSCHEIBE	RONDELLE
37	33005504	2	DADO ES. M8	NUT	MUTTER	ECROU
38	33005604	4	DADO ES.BASSO AUTOBL M6	NUT	MUTTER	ECROU
39	146 1225 000	1	SUPPORTO SPAZ. LAT. SX	SUPPORT	HALTER	SUPPORT
40	146 1081 000	1	PULEGGIA	PULLEY	SCHEIBE	POULIE
41	146 0973 000	1	DADO E.BASSO AUTOBL.M12	NUT HEX LOW SELF LOCK M12	MUTTER	ECROU
42	146 0913 000	1	PERNO SPAZZOLA LATERALE	PIN	STIFT	AXE
43#	L08300000	4	RONDELLA PIANA 8X24	WASHER	BEILAGSCHEIBE	RONDELLE
44	33003979	1	VITE TE M6X40	SCREW	SCHRAUBE	VIS
45	33005531	1	DADO E. BASSO M6	NUT	MUTTER	ECROU
46	146 0897 000	1	CINGHIA	BELT	RIEMEN	COURROIE
47	146 1749 000	3	VITE TSPEI M8X35	SCREW	SCHRAUBE	VIS
48	146 2751 000	1	MOZZO SPAZ. LATERALE	HUB	NABE	MOYEU
49	33003788	2	VITE TE M6X30	SCREW	SCHRAUBE	VIS
50	33004594	2	RONDELLA PIANA 6X12	WASHER	BEILAGSCHEIBE	RONDELLE
51	146 1025 000	1	SPAZ. LAT. 280X500 PPL STD	SIDE BROOM PPL 1,4 STD	SEITEN BESEN PPL1,4	BROSSE LATERAL PPL 1,4
51	146 1148 000	1	SPAZ. LAT. SAGGINA	SIDE BROOM NATURALE FIBRE	SEIT.BESEN MOHRENFAS.	BROSSE LATERAL VEGETAL
51	146 1149 000	1	SPAZ. LAT. MISTO ACCIAIO	SIDE BROOM STEEL MIX	SEIT.BESEN STAHL GEMIS.	BROSSE LAT.ACCIER MEL.
52	33005565	2	DADO E.BASSO AUTOBL.M8	NUT HEX LOW SELF LOCK M8	MUTTER	ECROU
53	33005915	2	RONDELLA PIANA M8	WASHER	BEILAGSCHEIBE	RONDELLE
0*	146 2160 000	1	KIT SPAZ. LAT SX.	SIDE BROOM KIT	ZUSATZ SEIT.BESEN LINK	KIT BROSSE LAT.GUACHE

**RINVIO SPAZZ. LAT. DESTRA
RIGHT SIDE BROOM TRANSMISSION**

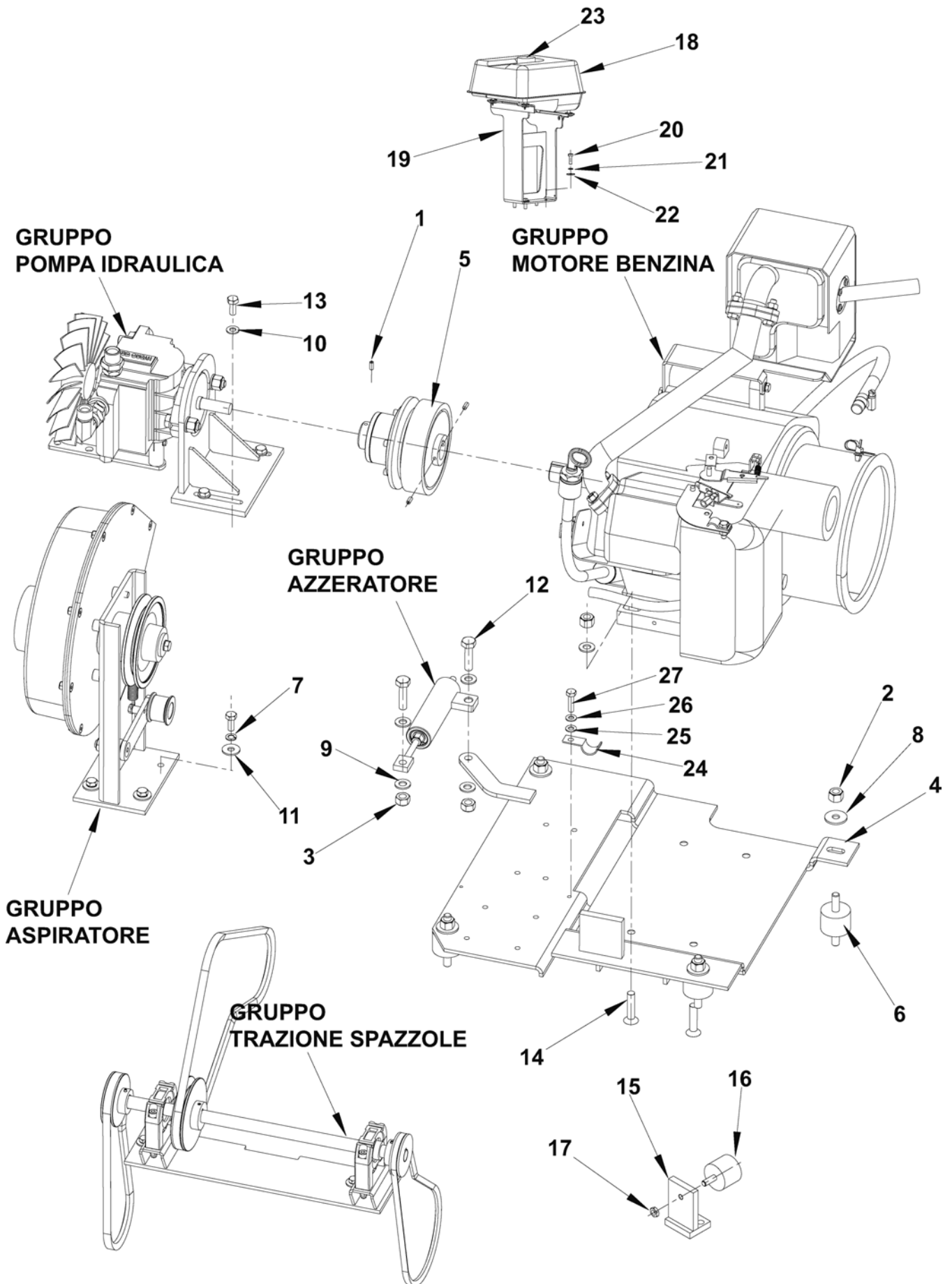


**RINVIO SPAZZ. LAT. SINISTRA
LEFT SIDE BROOM TRANSMISSION**



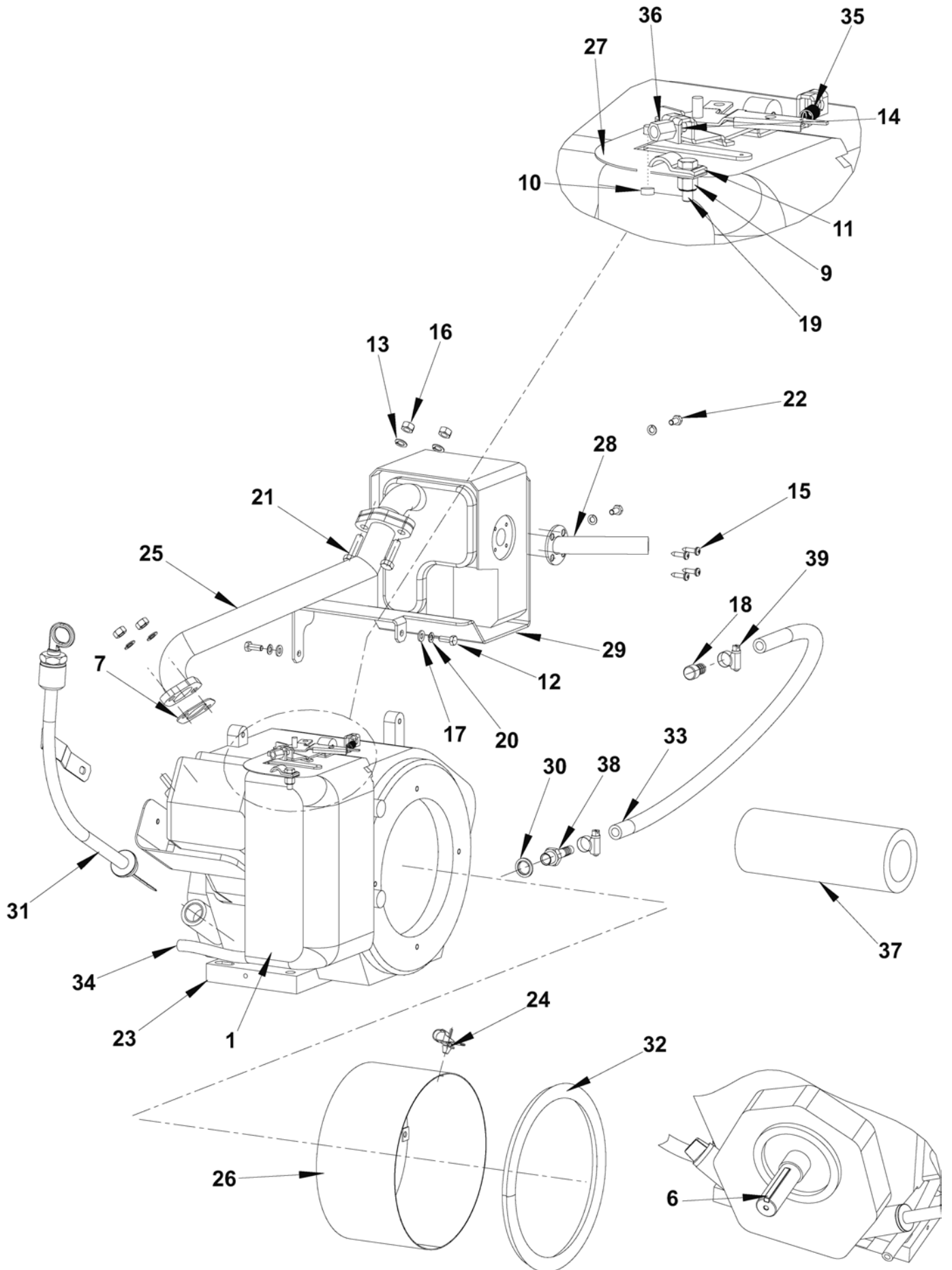
2004-05	GR. RINVIO SPAZZ. LAT. / SIDE BROOM TRANSM. SYSTEM	BOOK F		
2007-06	SR 1300H P	F	6.9.1	35

Pos Item Bild Rép	Codice Ref. No. Art. Nr. Réf. No	Q.tà Qty Menge Qté	Descrizione	Description	Beschreibung	Désignation
1	145 1123 000	3	CUSCINETTO	BEARING	LAGER	ROULEMENT
2	145 1976 000	3	SUPPORTO CUSCINETTO INF.	SUPPORT LOWER	HALTER	SUPPORT
3	145 1977 000	3	SUPPORTO CUSCINETTO SUP.	SUPPORT UPPER	HALTER	SUPPORT
4	146 0769 000	3	CHIAVETTA	KEY	KEILNUT	CLAVETTE
5	145 5741 000	6	VITE TCEI M8X80	SCREW M8X80	SCHRAUBE	VIS
6	146 2892 000	2	PULEGGIA	PULLEY	SCHEIBE	POULIE
7	146 1071 000	1	PULEGGIA	PULLEY	SCHEIBE	POULIE
8	146 1533 000	3	GRANO	DOWEL	DUEBEL	GOUPILLE
9	146 0902 000	1	ALBERO RINVIO SPAZ.LAT.	SHAFT	WELLE	ARBRE
10	146 1065 000	1	ALBERO RINVIO SPAZ.LAT.	SHAFT	WELLE	ARBRE
11	145 5916 000	1	VITE STEIC	SCREW M8X1,5	SCHRAUBE	VIS



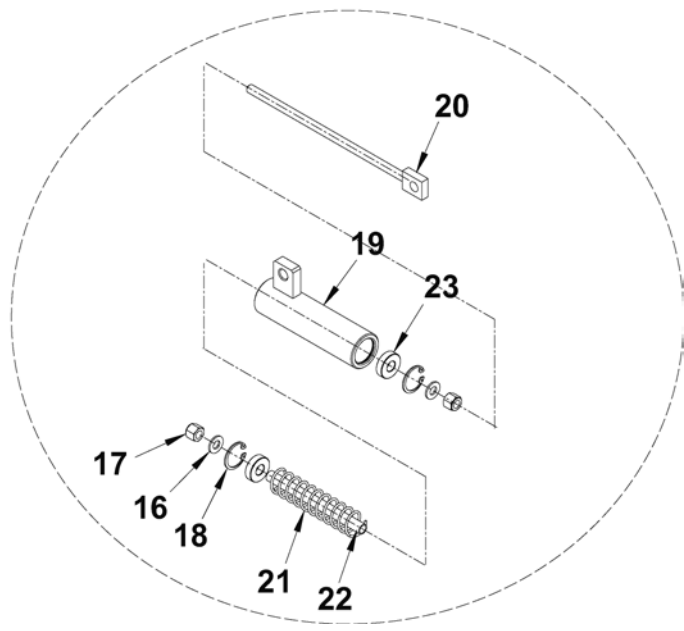
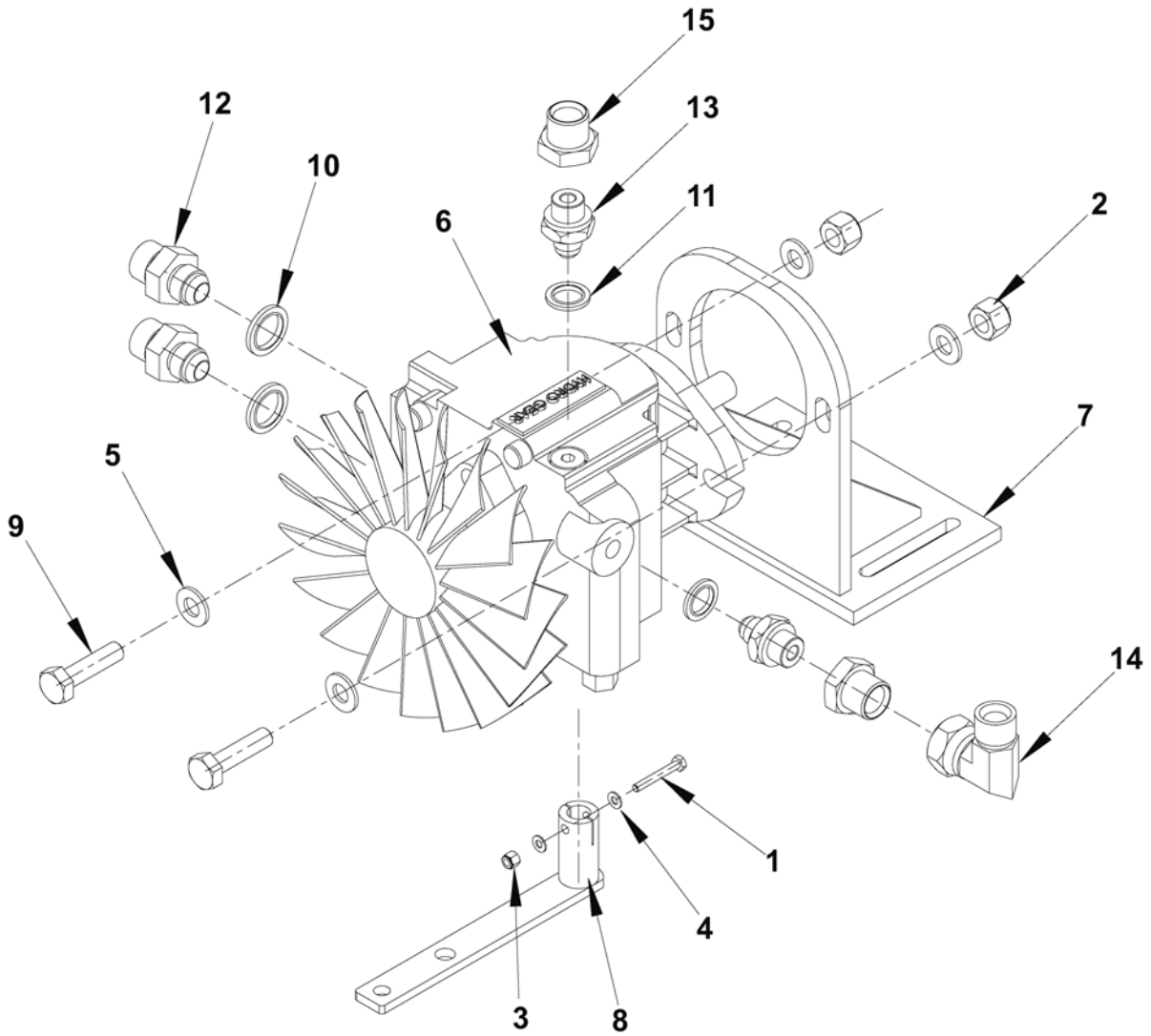
2004-05	GRUPPO MOTORIZZ. BENZ. / PETROL ENGINE ASSEMBLY	BOOK F		
2007-09	SR 1300H P	F	6.9.1	37

Pos Item Bild Rép	Codice Ref. No. Art. Nr. Réf. No	Q.tà Qty Menge Qté	Descrizione	Description	Beschreibung	Désignation
1	146 0622 000	3	GRANO	DOWEL	STIFT	GOUPILLE
2	909 5194 000	8	DADO E.ALTO AUTOBL.M10	NUT	MUTTER	ECROU
3	33005608	2	DADO E.BASSO AUTOBL.M10	NUT	MUTTER	ECROU
4	146 0887 000	1	SUPPORTO MOTORE BENZINA	SUPPORT	HALTER	SUPPORT
5	146 1066 000	1	PULEGGIA	PULLEY	SCHEIBE	POULIE
6	146 1447 000	4	ANTIVIBRANTE	VIBRATION DAMPING	SCHWINGUNGSDAEMPF.	SILENT BLOC
7	33005842	4	RONDELLA SPACCATA	WASHER	BEILAGSCHEIBE	RONDELLE
8#	L08604251	4	RONDELLA PIANA 10X30	WASHER	BEILAGSCHEIBE	RONDELLE
9	33005916	8	RONDELLA PIANA 10X21	WASHER	BEILAGSCHEIBE	RONDELLE
10	33005915	4	RONDELLA PIANA 8X17	WASHER	BEILAGSCHEIBE	RONDELLE
11#	L08300000	4	RONDELLA PIANA 85X24	WASHER	BEILAGSCHEIBE	RONDELLE
12	146 1484 000	2	VITE TE M10X40	SCREW	SCHRAUBE	VIS
13	33005444	8	VITE TE M8X20	SCREW	SCHRAUBE	VIS
14	146 0833 000	4	VITE TSPEI M10X45	SCREW	SCHRAUBE	VIS
15	146 1105 000	1	TENSIONATORE	TENSIONE ROD	SPANNER	TENDEUR
16	146 1068 000	1	ANTIVIBRANTE	VIBRATION DAMPING	SCHWINGUNGSDAEMPF.	SILENT BLOC
17	33005534	1	DADO E.BASSO M10	NUT HEX LOW M10	MUTTER	ECROU
18	146 1103 000	1	SUPPORTO SERBATOIO BENZ.	SUPPORT	HALTER	SUPPORT
19	146 2190 000	1	SERBATOIO BENZINA	FUEL TANK	TANK	RESERVOIR
20	33005445	4	VITE TE M8X25	SCREW	SCHRAUBE	VIS
21	33005842	4	RONDELLA EL.SPAC.	WASHER	BEILAGSCHEIBE	RONDELLE
22#	L08300000	4	RONDELLA PIANA	WASHER	BEILAGSCHEIBE	RONDELLE
23	146 2191 000	1	TAPPO SERBATOIO	TANK CAP	PFROPFEN	BOUCHON
24	146 2356 000	1	CAVALLOTTO D 13	CLAMP	VERBINDUNGSBRUECKE	ETRIER
25	146 9228 000	1	RONDELLA E. SPACCATA 6	WASHER SPLIT 6	BEILAGSCHEIBE	RONDELLE
26#	L08228600	1	ROND PIANA 6X18	WASHER 6X18 UNI6592	BEILAGSCHEIBE	RONDELLE
27	33003974	1	VITE TE M6X16	SCREW HEX. HD M6X16	SCHRAUBE	VIS



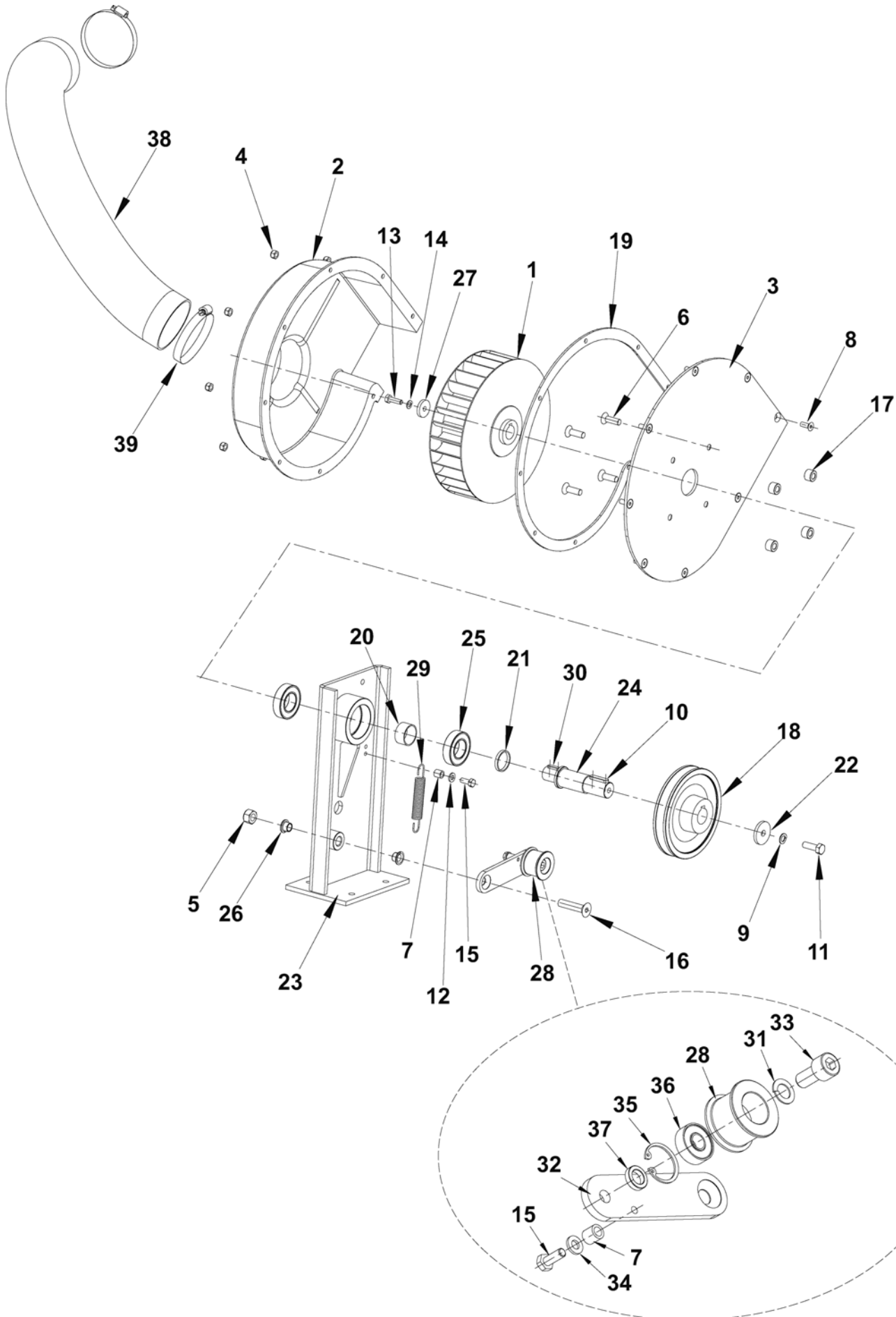
2004-05	MOTORE BENZINA / PETROL ENGINE	BOOK F		
2007-09	SR 1300H P	F	6.9.1	39

Pos Item Bild Rép	Codice Ref. No. Art. Nr. Réf. No	Q.tà Qty Menge Qté	Descrizione	Description	Beschreibung	Désignation
1	146 2031 000	1	FILTRO ARIA	AIR FILTER	LUFTFILTER	FILTRE A AIR
6	146 2074 000	1	CHIAVETTA 1/4"	KEY	KEILNUT	CLAVETTE
7	146 2073 000	2	GUARNIZIONE SILENZIATORE	GASKET	DICHTUNG	JOINT
9	33005562	1	DADO ES.BASSO M6	NUT HEX LOW M6	MUTTER	ECROU
10#	L08812325	2	DISTANZIALE	SPACER	ABSTANDSTUECK	ENTRETOISE
11#	L08812352	1	CAVALLOTTO FERMACAVO	CABLE CLAMP	SCHLAUCH SCHELLE	COLLIER
12	145 1218 000	2	VITE TE M6X20	SCREW HEX HD M6X20	SCHRAUBE	VIS
13	33005842	4	RONDELLA EL.SPACCATA	WASHER	BEILAGSCHEIBE	RONDELLE
14	33005531	1	DADO ES.BASSO M6	NUT HEX LOW M6	MUTTER	ECROU
15	145 5875 000	4	VITE TBTC AUTOFIL.4,8X19	SCREW	SCHRAUBE	VIS
16	145 9123 000	4	DADO ES.M8	NUT HEX M8	MUTTER	ECROU
17	33005913	3	RONDELLA PIANA	WASHER FLAT	BEILAGSCHEIBE	RONDELLE
18	145 9220 000	1	TAPPO	CAP	PFRÖPFEN	BOUCHON
19	33003975	1	VITE TE M6X20	SCREW HEX HD M6X20	SCHRAUBE	VIS
20	33005851	4	RONDELLA EL.SPACCATA	WASHER	BEILAGSCHEIBE	RONDELLE
21	145 9281 000	2	VITE TE M8X30	SCREW HEX HD M8X30	SCHRAUBE	VIS
22	33003972	2	VITE TE M6X12	SCREW HEX HD M6X12	SCHRAUBE	VIS
23	146 0886 000	1	MOTORE B&S 9 HP	ENGINE 9 HP	MOTOR	MOTEUR
24	146 0987 000	1	FASCETTA AD INCASTRO	CLAMP	SCELLE	COLLIER
25	146 1116 000	1	TUBO COLLEGAM.MARMITTA	HOSE	SCHLAUCH	TUYAU
26	146 1119 000	1	CONVOGLIATORE ARIA MOTORE	CONVOYER	KONVEYOR	CONVOYEUR
27	146 1120 000	1	STAFFA SUPPORTO CAVI	BRACKET	STANGE	SUPPORT
28	146 1762 000	1	TUBO FINALE MARMITTA	HOSE	SCHLAUCH	TUYAU
29	146 1763 000	1	SUPPORTO MARMITTA	SUPPORT	HALTER	SUPPORT
30	146 1768 000	1	RONDELLA BONDED	WASHER	BEILAGSCHEIBE	RONDELLE
31	146 2185 000	1	KIT ASTA LIVELLO OLIO	KIT DIPSTICK	ZUSATZ OELMESSSTANGE	KIT JAUGE D'HUILE
32	146 2187 000	1	GUARNIZIONE CONVOGLIATORE	GASKET	DICHTUNG	JOINT
33	146 2184 000	1	TUBO SCARICO OLIO	HOSE	SCHLAUCH	TUYAU
34	146 2183 000	1	TUBO BENZINA L= 950 MM	PETROL HOSE	BENZIN SCHLAUCH	TUYAU
35	145 9290 000	1	MOLLA PER ALZAFLAP	SPRING	FEDER	RESSORT
36	145 1179 000	1	REGISTRO GUAINA	ADJUSTER	REGLER	VIS DE REGLAGE
37	145 8589 000	1	TUBO FONOASSORBENTE	INSULATING HOSE	SCHALLDAMPFEND SCHLAUCH	TUYAU
38	146 0244 000	1	PORTAGOMMA	RUBBER HOLDER	GUMMIHALTER	RACCORD
39	145 9221 000	2	FASCETTA STRINGITUBO	CLAMP	SCELLE	COLLIER
0	146 2032 000	1	PRE FILTRO ARIA	PRE-FILTER	LUFT VOR-FILTER	PRE-FILTRE A AIR
0	146 2033 000	1	FILTRO BENZINA COMPLETO	PETROL FILTER	BENZIN FILTER	FILTRE A ESSENCE
0	145 6118 000	1	FILTRO CARBURANTE	FUEL FILTER	TREIBSTOFF FILTER	FILTRE A CARBURANT
0	145 2101 000	1	RADDRIZZATORE	RECTIFIER	GLEICHRICHTER	REDRESSEUR
0	146 2073 000	1	GUARNIZIONE SILENZIATORE	GASKET EXHAUST	DICHTUNG	JOINT
0	146 1765 000	1	GUARNIZIONE TUBO OLIO MOT.	GASKET MOTOR OIL HOSE	DICHTUNG	JOINT
0	145 2084 000	1	CANDELA	SPARK PLUG	ZUENDKERZE	BOUGIE



2004-05	POMPA IDRAULICA / HYDRAULIC PUMP	BOOK F		
2007-06	SR 1300H P	F	6.9.1	41

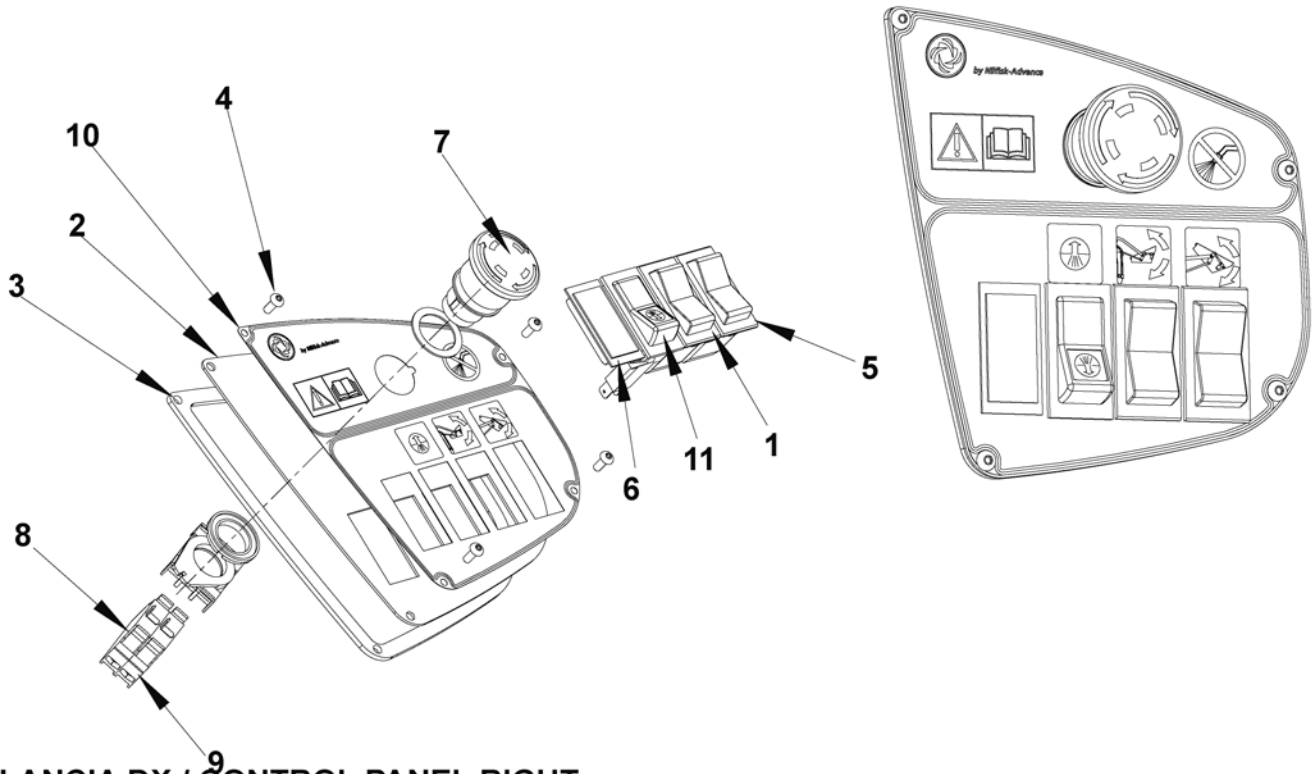
Pos Item Bild Rép	Codice Ref. No. Art. Nr. Réf. No	Q.tà Qty Menge Qté	Descrizione	Description	Beschreibung	Désignation
1	33003953	1	VITE TE M4X30	SCREW HEX HD M4X30	SCHRAUBE	VIS
2	145 4518 000	2	DADO ES.AUTOBL M10	NUT HEX SELF LOCK M10	MUTTER	ECROU
3	33005602	1	DADO ES.AUTOBL M4	NUT HEX SELF LOCK M4	MUTTER	ECROU
4	33005911	2	RONDELLA PIANA 4X9	WASHER	BEILAGSCHEIBE	RONDELLE
5	33005916	4	RONDELLA PIANA 10X21	WASHER	BEILAGSCHEIBE	RONDELLE
6	146 0890 000	1	POMPA IDRAULICA	HYDRAULIC PUMP	HIDRAULISCHE PUMPE	POMPE HYDRAULIQUE
7	146 0891 000	1	SUPPORTO POMPA IDR.	SUPPORT	HALTER	SUPPORT
8	146 0894 000	1	LEVA COMANDO POMPA	LEVER	HEBEL	LEVIER
9	146 1484 000	2	VITE TE M10X40	SCREW HEX HD M10X40	SCHRAUBE	VIS
10	146 2239 000	2	RONDELLA BONDED	WASHER	BEILAGSCHEIBE	RONDELLE
11	146 1768 000	2	RONDELLA BONDED	WASHER	BEILAGSCHEIBE	RONDELLE
12	146 1777 000	2	NIPPLO RIDUZIONE	NIPPLE	NIPPEL	RACCORD DE TUYAU
13	146 1778 000	2	NIPPLO RIDUZIONE	NIPPLE	NIPPEL	RACCORD DE TUYAU
14	146 1779 000	1	RACCORDO A 90°1/2 M/F	PIPE FITTING	VERBINDUNG	RACCORD
15	145 4297 000	2	TAPPO RIDUZIONE	CAP	PFROPFEN	BOUCHON
16	33005915	2	RONDELLA PIANA 8X17	WASHER	BEILAGSCHEIBE	RONDELLE
17	33005565	2	DADO ES.AUTOBL.M8	NUT	MUTTER	ECROU
18	146 0864 000	2	SEEGER	RETAINING RING	SICHERUNGSRING	CIRCLIPS
19	146 1073 000	1	CILINDRO ESTERNO	CYLINDER	ZYLINDER	CYLINDRE
20	146 1076 000	1	BARRA FILETTATA INTERNA	BAR THD	STANGE	BARRE
21	146 1121 000	1	MOLLA AZZERATORE	SPRING	FEDER	RESSORT
22	146 1406 000	1	DISTANZIALE	SPACER	ABSTANDSTUECK	ENTRETOISE
23	146 1407 000	2	DISTANZIALE	SPACER	ABSTANDSTUECK	ENTRETOISE



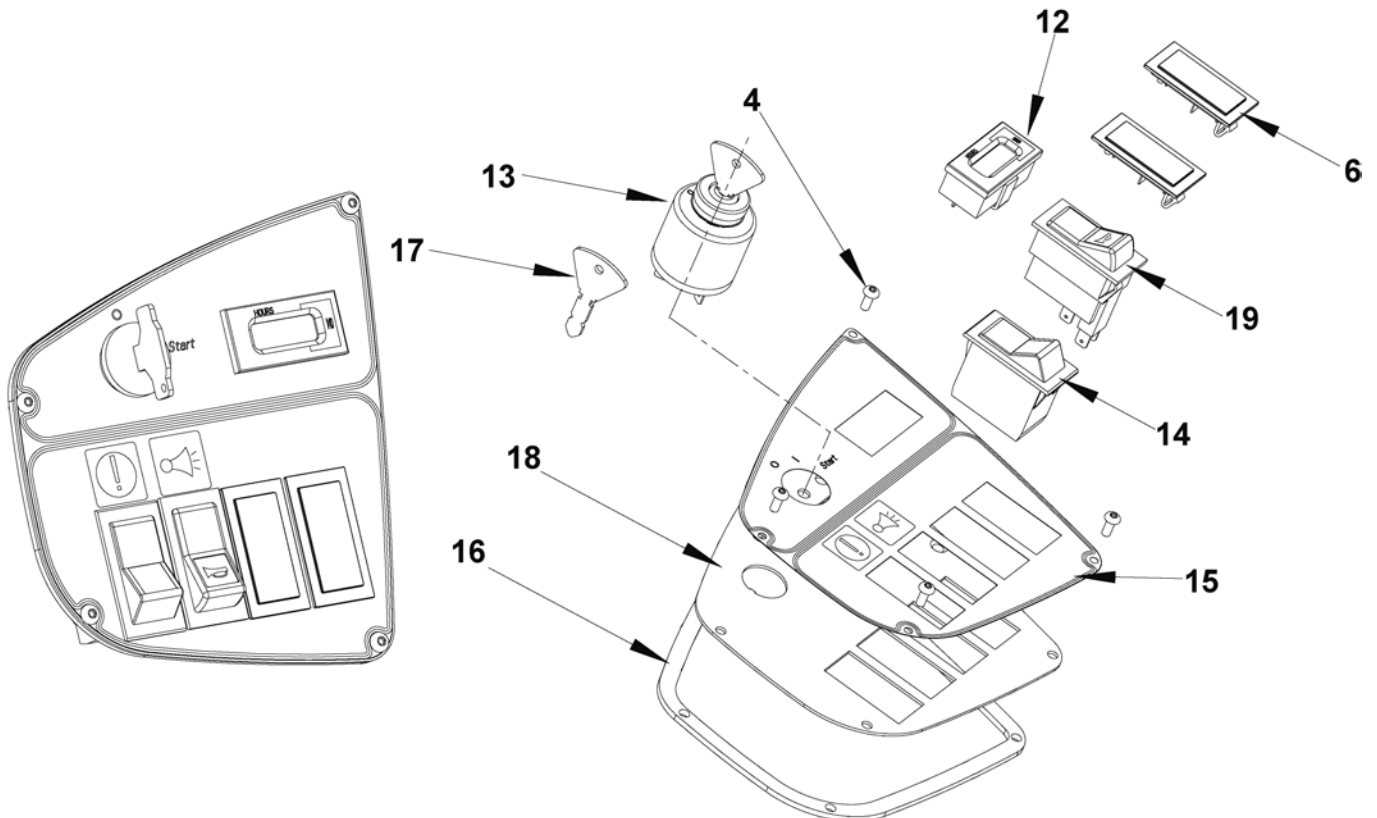
2004-05	MOTORE ASPIRATORE / VACUUM MOTOR	BOOK F		
2007-06	SR 1300H P	F	6.9.1	43

Pos Item Bild Rép	Codice Ref. No. Art. Nr. Réf. No	Q.tà Qty Menge Qté	Descrizione	Description	Beschreibung	Désignation
1	146 0869 000	1	VENTOLA D.200 SX	FAN	VENTILATOR	VENTILATEUR
2	146 0966 000	1	CHIOCCIOLA VENTILATORE	SCROLL FAN	VENTILATOR SCHNECKE	PELLETEUSE VENTILATEUR
3	146 0968 000	1	PIASTRA SUPPORTO	PLATE	PLATTE	PLAQUE
4	33005604	8	DADO E.BASSO AUTOBL.M6	NUT	MUTTER	ECROU
5	33005608	1	DADO E.BASSO AUTOBL.M10	NUT	MUTTER	ECROU
6	33004593	4	VITE TSPEI M8X25	SCREW	SCHRAUBE	VIS
7	145 1330 000	2	DISTANZIALE	SPACER	ABSTANDSTUECK	ENTRETOISE
8	33004576	8	VITE TSPEI M6X16	SCREW	SCHRAUBE	VIS
9	33005842	1	RONDELLA E.SPACCATA 8	WASHER	BEILAGSCHEIBE	RONDELLE
10	145 8065 000	1	LINGUETTA	TAB	KEIL	CLAVETTE
11	33005445	1	VITE TE M8X25	SCREW	SCHRAUBE	VIS
12	33005913	1	RONDELLA PIANA 6X12,5	WASHER	BEILAGSCHEIBE	RONDELLE
13	33003975	1	VITE TE M6X20	SCREW	SCHRAUBE	VIS
14	33005851	1	RONDELLA E.SPACCATA 6	WASHER	BEILAGSCHEIBE	RONDELLE
15	33003974	2	VITE TE M6X16	SCREW HEX HD 6X16	SCHRAUBE	VIS
16	146 0833 000	1	VITE TSPEI M10X45	SCREW M10X45	SCHRAUBE	VIS
17	146 1069 000	4	DISTANZIALE	SPACER	ABSTANDSTUECK	ENTRETOISE
18	146 1070 000	1	PULEGGIA	PULLEY	SCHEIBE	POULIE
19	146 1109 000	1	GUARNIZIONE VENTOLA	GASKET	DICHTUNG	JOINT
20	146 1769 000	1	DISTANZIALE	SPACER	ABSTANDSTUECK	ENTRETOISE
21	146 1770 000	1	DISTANZIALE	SPACER	ABSTANDSTUECK	ENTRETOISE
22	146 1771 000	1	DISTANZIALE	SPACER	ABSTANDSTUECK	ENTRETOISE
23	146 1772 000	1	SUPPORTO	SUPPORT	HALTER	SUPPORT
24	146 1773 000	1	ALBERO TRASMISSIONE	SHAFT	WELLE	ARBRE
25	146 1774 000	2	CUSCINETTO	BEARING	LAGER	ROULEMENT
26	146 1780 000	2	BOCCOLA CON FLANGIA	BUSHING	BUECHSE	BAGUE
27	146 2060 000	1	DISTANZIALE	SPACER	ABSTANDSTUECK	ENTRETOISE
28	145 1209 000	1	RULLO TENDICINGHIA	BELT TENSIONER ROLLER	RIEMENSPANNROLLE	ROULEAU
29	145 0274 000	1	MOLLA PER LEVA TENDICINGHIA	SPRING	FEDER	RESSORT
30	145 9773 000	1	CHIAVETTA	KEY	KEILNUT	CLAVETTE
31	33005843	1	RONDELLA E.SPACCATA	WASHER	BEILAGSCHEIBE	RONDELLE
32	146 1775 000	1	BRACCIO TENDICINGHIA	BELT TENSIONER ARM	ARM RIEMENSPANNER	BRAS
33	145 5742 000	1	VITE TCEI M10X20	SCREW	SCHRAUBE	VIS
34	33005913	1	RONDELLA PIANA	WASHER	BEILAGSCHEIBE	RONDELLE
35	33006156	1	SEEGER	RETAINING RING	VERSICHERUNGSRING	CIRCLIPS
36	145 9186 000	1	CUSCINETTO	BEARING	LAGER	ROULEMENT
37	146 0548 000	1	DISTANZIALE	SPACER	ABSTANDSTUECK	ENTRETOISE
38	146 1013 000	1	TUBO ASPIRAZIONE	INLET HOSE	SCHLAUCH	TUYAU
39	146 1056 000	2	FASCETTA	CLAMP	SHELLE	COLLIER

PLANCIA SX / CONTROL PANEL LEFT

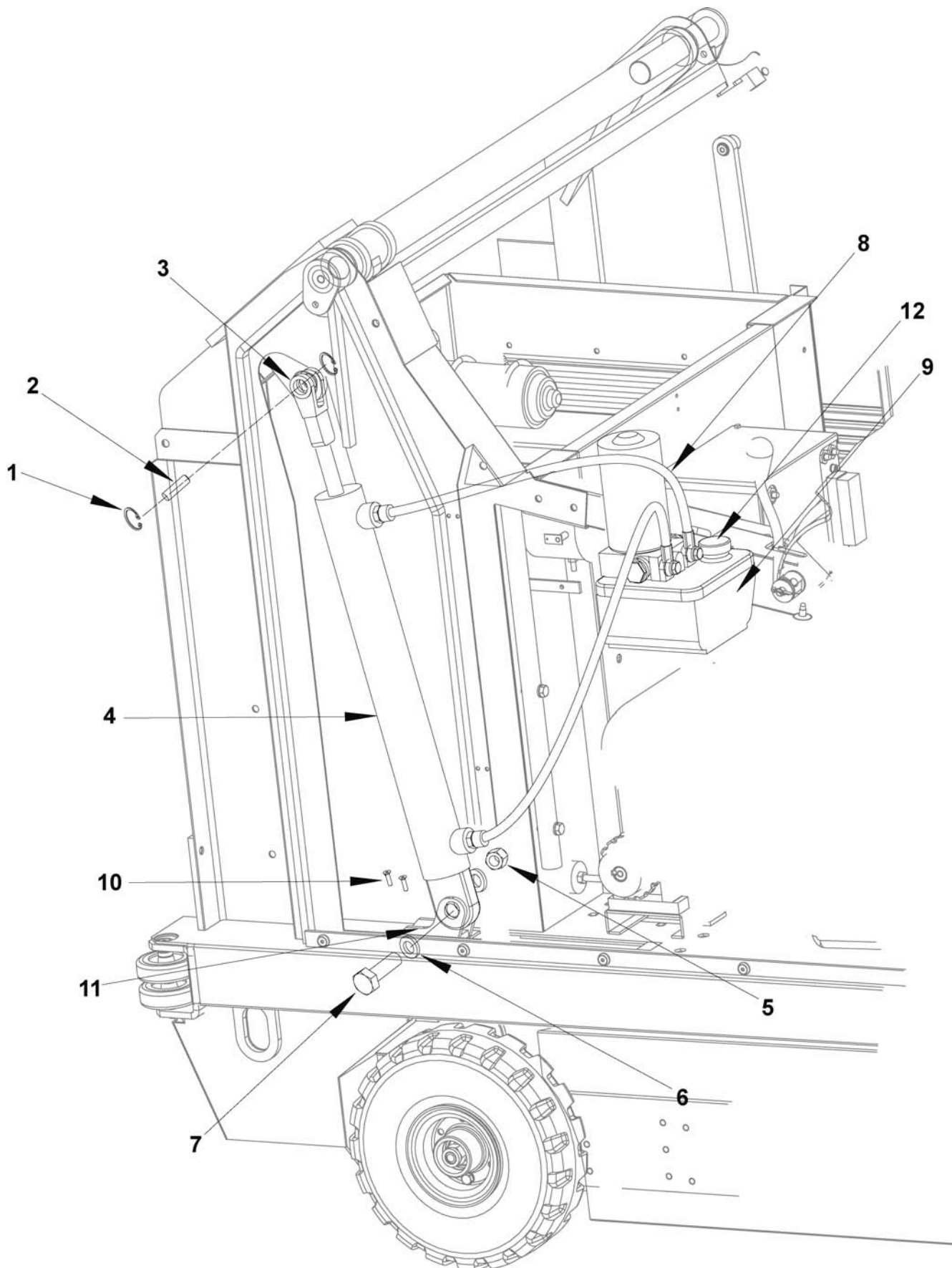


PLANCIA DX / CONTROL PANEL RIGHT



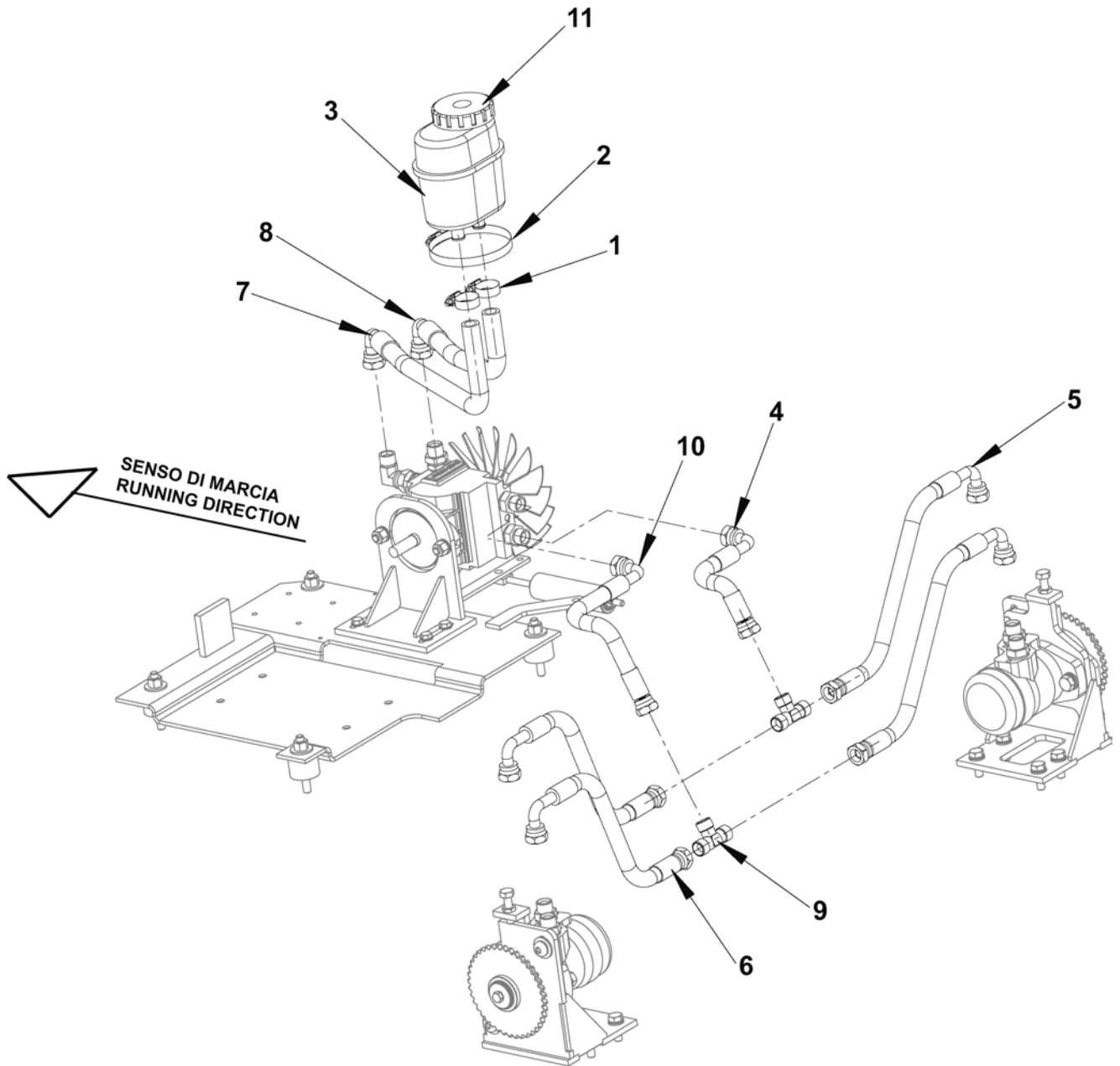
2004-05	PLANCIA DESTRA / RIGHT CONTROL PANEL ASSEMBLY	BOOK F		
2007-09	SR 1300H P	F	6.9.1	45

Pos Item Bild Rép	Codice Ref. No. Art. Nr. Réf. No	Q.tà Qty Menge Qté	Descrizione	Description	Beschreibung	Désignation
1	146 0846 000	1	PULSANTE SOLLEV.CASSONE	WASTE CONT.LIFTING SWITCH	SCHALTER	INTERRUPTEUR
2	146 1021 000	1	PLANCIA DX	CONTROL PANEL RIGHT	SCHALTAFELFELD RECHTS	TABLEAU DE BORD DROITE
3	146 1230 000	1	GUARNIZIONE AD.PLANCIA DX	GASKET	DICHTUNG	JOINT
4	145 0572 000	8	VITE TBEI M4X10 INOX	SCREW	SCHRAUBE	VIS
5	146 0847 000	1	PULSANTE RIBALT.CASSONE	WASTE CONT.ROTATING SWITCH	SCHALTER	INTERRUPTEUR
6	146 1284 000	3	TAPPO NERO	CAP	PFROPFEN	BOUCHON
7	146 1727 000	1	INTERRUTTORE A FUNGO	SAFETY SWITCH	NOTSTANDSCHALTER	INTERRUPTEUR D'URGENCE
8	146 1728 000	1	CONTATTO ROSSO	CONTACT RED	KONTAKT	CONTACT
9	146 1730 000	1	CONTATTO VERDE	CONTACT GREEN	KONTAKT	CONTACT
10	146 2070 000	1	SERIGRAFIA PLANCIA DX	DECAL CONTROL PANEL RIGHT	SCHALTAFELFELD FOLIE	SERIGRAPHIE
11	145 8188 000	1	INTERRUTTORE SCUOTIFILTRO	FILTER SHAKER SWITCH	FILTERRUETTEL SCHALTER	INTERUPTEUR
12#	L08812350	1	CONTAORE 24V	HOURLMETER	STUNDENZAEHLER	CONPHEURE
13	145 3761 000	1	INTERRUTTORE A CHIAVE	KEY SWITCH	SCHLUSSELSCHALTER	INTERUPTEUR A CLE
14	146 0845 000	1	PULSANTE	SWITCH	SCHALTER	INTERUPTEUR
15	146 1112 000	1	SERIGRAFIA PLANCIA SX	DECAL CONTROL PANEL LEFT	SCHALTAFELFELD FOLIE	SERIGRAPHIE
16	146 1231 000	1	GUARNIZIONE AD.PLANCIA SX	GASKET	DICHTUNG	JOINT
17	146 0073 00	1	CHIAVE DI ACCENSIONE	KEY	SCHLUSSEL	CLE
18	146 2071 000	1	PLANCIA SX	CONTROL PANEL LEFT	SCHALTAFELFELD LINKS	TABLEAU DE BORD
19	145 8180 000	1	INTERRUTTORE CLACSON	HORN SWITCH	HUEPE SCHALTER	AVERTISSEUR



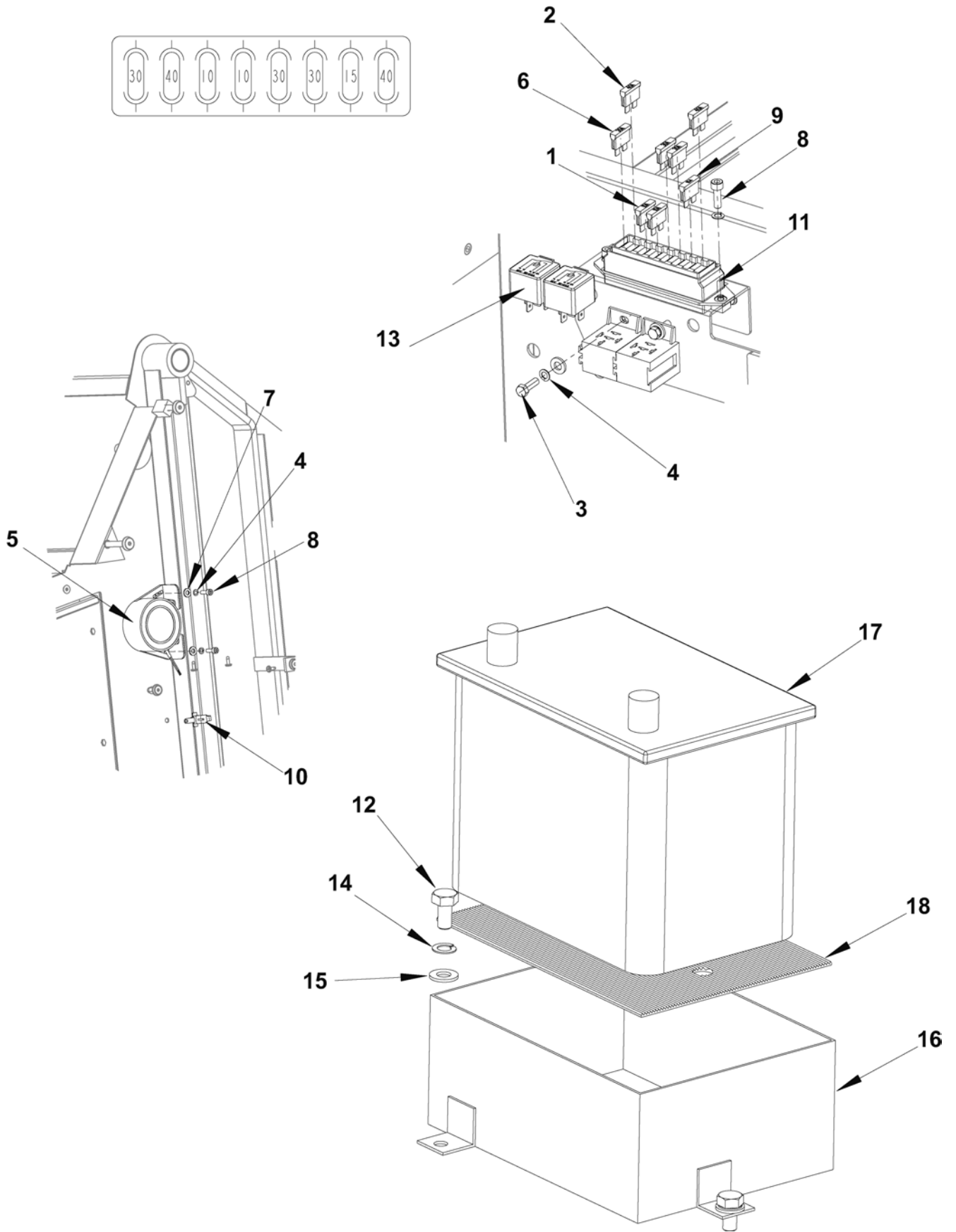
2004-05	SISTEMA IDRAULICO / HYDRAULIC SYSTEM	BOOK F		
2007-06	SR 1300H P	F	6.9.1	47

Pos Item Bild Rép	Codice Ref. No. Art. Nr. Réf. No	Q.tà Qty Menge Qté	Descrizione	Description	Beschreibung	Désignation
1	145 9356 000	2	SEEGER E16	RETAINING RING	SICHERUNGSRING	SIRCLIPS
2	146 1044 000	1	PERNO CILINDRO DI SOLL.	PIN	STIFT	AXE
3	146 0934 000	1	FORCELLA M16	FORK	GABELSTUECK	FOURCHETTE
4	146 0885 000	1	CILINDRO SOLL.CASSONE	CYLINDER	ZYLINDER	CYLINDRE
5	145 5744 000	1	DADO M16	NUT M16	MUTTER M16	ECROU
6	145 1261 000	2	RONDELLA	WASHER	BEILAGSCHEIBE	RONDELLE
7	146 1171 000	1	VITE TCEI 16X36	SCREW 16X36	SCHRAUBE	VIS
8	146 1042 000	2	TUBO	HOSE	SCHLAUCH	TUYAU
9	146 0920 000	1	CENTRALINA IDRAULICA 24V	GEARCASE HYDRAULIC	HYDRAULISCHE PUMPE	DISTRIBUTEUR HYDRAULIC
10	33004594	2	VITE TSPEI M8X30	SCREW M8X30	SCHRAUBE M8X30	VIS M8X30
11	146 0884 000	1	SUPPORTO DI SOLLEVAMENTO	SUPPORT	HALTER	SUPPORT
12	146 1868 000	1	TAPPO ROSSO	CAP RED	PFROPFEN	BOUCHON



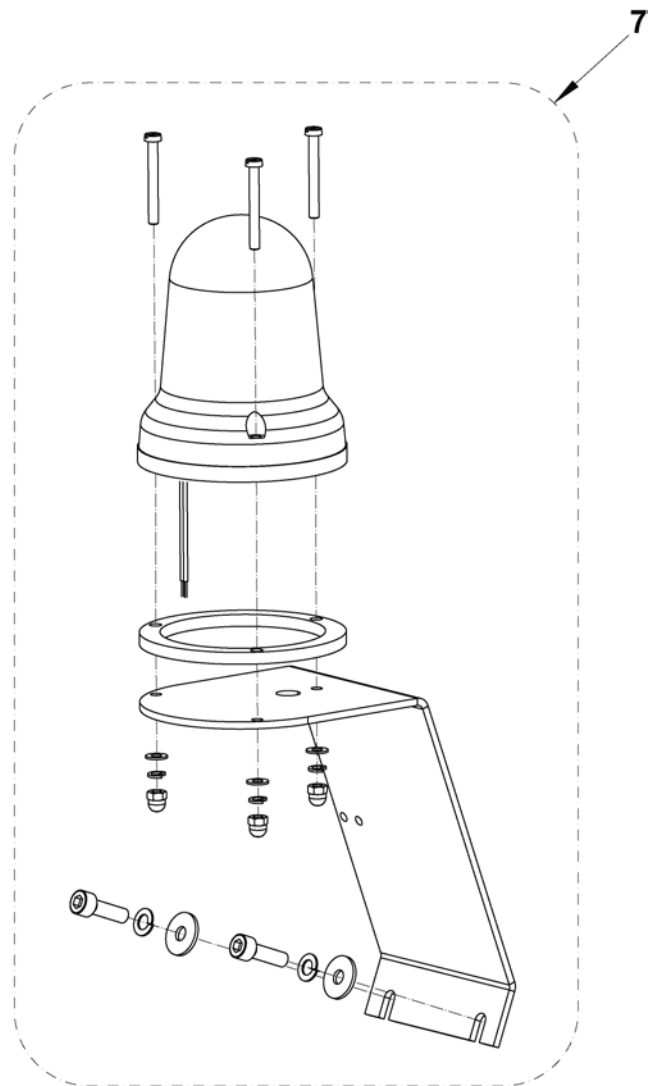
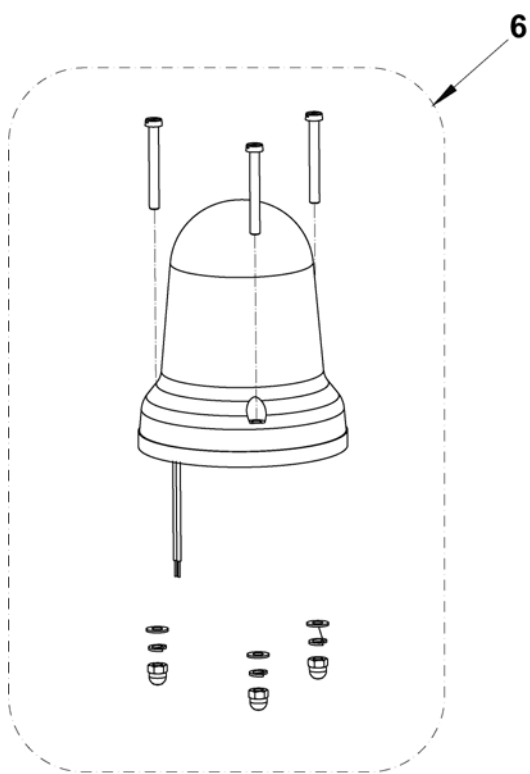
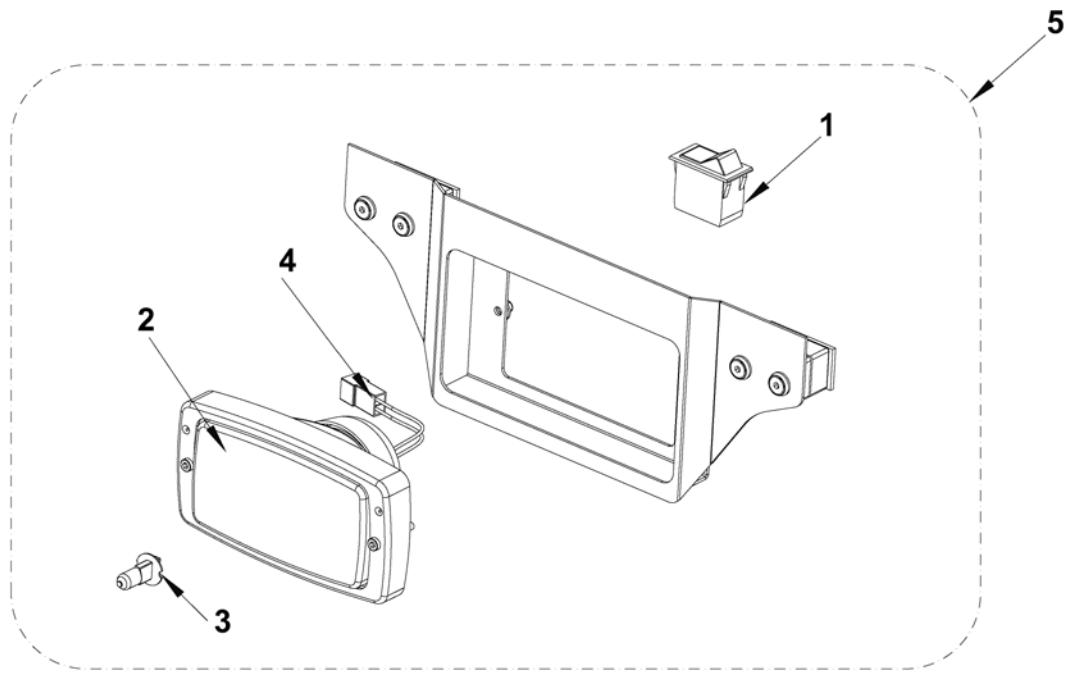
2004-05	GRUPPO TUBAZIONI IDR. / HYDRAULIC HOSES SYSTEM	BOOK F		
2007-09	SR 1300H P	F	6.9.1	49

Pos Item Bild Rép	Codice Ref. No. Art. Nr. Réf. No	Q.tà Qty Menge Qté	Descrizione	Description	Beschreibung	Désignation
1#	L08236100	2	FASCETTA	CLAMP	SHELLE	COLLIER
2	146 1056 000	1	FASCETTA	CLAMP	SHELLE	COLLIER
3	146 1086 000	1	SERBATOIO OLIO	OIL TANK	OEL TANK	RESERVOIR HUILLE
4	146 1095 000	1	TUBO 1/2 L=240	HOSE	SCHLAUCH	TUYAU
5	146 1096 000	2	TUBO 1/2 L=410	HOSE	SCHLAUCH	TUYAU
6	146 1097 000	2	TUBO 1/2 L=460	HOSE	SCHLAUCH	TUYAU
7	146 1098 000	1	TUBO 5/8 L=340	HOSE	SCHLAUCH	TUYAU
8	146 1099 000	1	TUBO 5/8 L=500	HOSE	SCHLAUCH	TUYAU
9	146 1107 000	2	RACCORDO	PIPE FITTING	SCHLAUCHVERBINDUNG	RACCORD
10	146 2091 000	1	TUBO 1/2 L=290	HOSE	SCHLAUCH	TUYAU
11	146 2534 000	1	TAPPO SERBATOIO	TANK CAP	PFROPFEN	BOUCHON



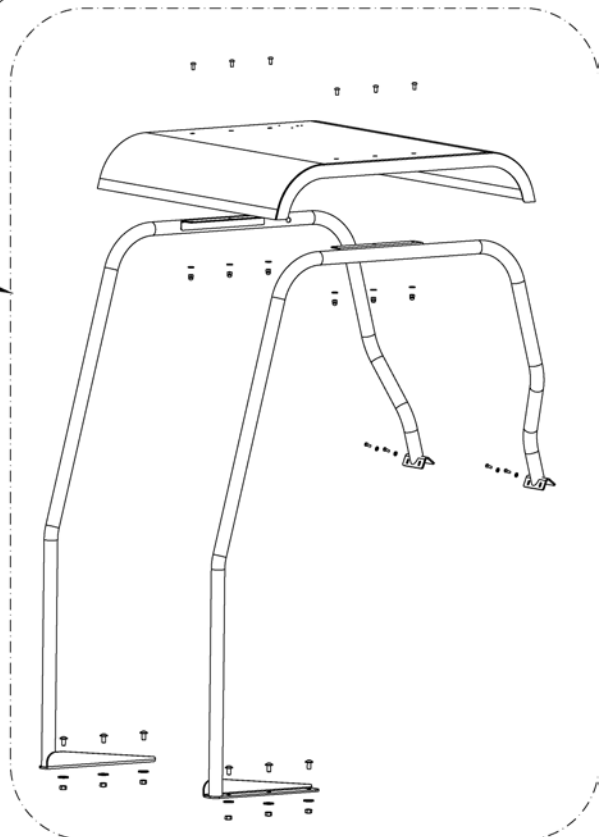
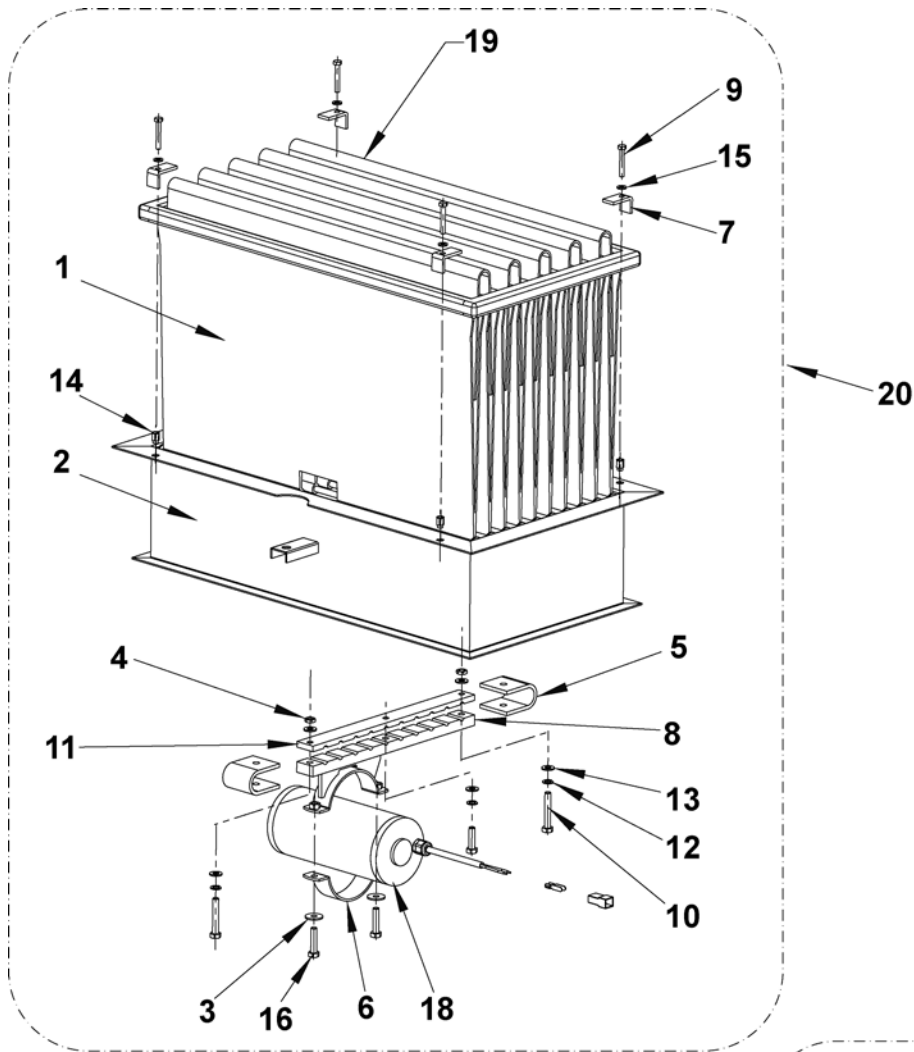
2004-05	COMPONENTI ELETTRICI / ELECTRICAL COMPONENTS	BOOK F		
2007-06	SR 1300H P	F	6.9.1	51

Pos Item Bild Rép	Codice Ref. No. Art. Nr. Réf. No	Q.tà Qty Menge Qté	Descrizione	Description	Beschreibung	Désignation
1	146 0068 00	2	FUSIBILE 10A	FUSE 10A	SICHERUNG	FUSIBLE
2	145 0227 000	2	FUSIBILE 40A	FUSE 40A	SICHERUNG	FUSIBLE
3	33003962	2	VITE TE M5X16	SCREW HEX HD M5X16	SCHRAUBE	VIS
4	33005839	6	RONDELLA E.SPACCATA	WASHER	BEILAGSCHEIBE	RONDELLE
5	145 5817 000	1	SEGNALATORE ACUSTICO	HORN	HUEPE	AVERTISSEUR
6	145 8513 000	3	FUSIBILE 30A	FUSE 30A	SICHERUNG	FUSIBLE
7	33005913	4	RONDELLA PIANA	WASHER	BEILAGSCHEIBE	RONDELLE
8	33004328	4	VITE TCEI M5X16	SCREW	SCHRAUBE	VIS
9	145 9853 000	1	FUSIBILE 15A	FUSE 15A	SICHERUNG	FUSIBLE
10	146 0987 000	1	FASCETTA AD INCASTRO	CLAMP	SHELLE	COLLIER
11	146 1170 000	1	PORTAFUSIBILE	FUSE HOLDER	SICHERUNG	SUPPORT
12	33004008	2	VITE TE M10X20	SCREW HEX HD M10X20	SCHRAUBE	VIS
13	145 9377 000	2	RELÉ 12V	RELAY	RELAIS	RELAY
14	33005843	2	RONDELLA E.SPACCATA	WASHER	BEILAGSCHEIBE	RONDELLE
15	33005916	2	RONDELLA PIANA	WASHER	BEILAGSCHEIBE	RONDELLE
16	145 3444 000	1	CONTENITORE BATTERIE	BATTERY CONTAINER	BATTERIEBEHAELTER	CONTENEUR BATTERIES
17	145 3679 000	1	BATTERIA AVVIAMENTO	STARTING BATTERY	ANLASSBATTERIE	BATTERIE
18	145 4054 000	1	TAPPETINO PER BATTERIE	MAT	TEPPICH	TAPIS
0	146 0863 000	1	CABLAGGIO PLANCE	HARNESS CONTROL PANELS	ARMATURENB.KABELVERB.	CABLAGE TABLEAU DE BORD
0	146 0862 000	1	CABLAGGIO PRINCIPLE	MAIN HARNESS	HAUPTKABELVERBINDUNG	CABLAGE



2004-05	ACCESSORI / ACCESSORIES	BOOK F		
	SR 1300H P	F	6.9.1	53

Pos Item Bild Rép	Codice Ref. No. Art. Nr. Réf. No	Q.tà Qty Menge Qté	Descrizione	Description
1*	146 1167 000	1	INTERRUTTORE	SWITCH
2*	146 1196 000	1	FARO DI LAVORO	WORKING LIGHT
3*	146 1197 000	1	LAMPADINA	LAMP
4*	146 2179 000	1	CABLAGGIO	HARNES
5*	146 1712 000	1	KIT FARO DI LAVORO	KIT WORKING LIGHT
6*	146 2098 000	1	KIT GIROFARO PER TETTUCCIO	KIT LIGHT BEACON FOR OVER HEAD GUARD
7*	146 1157 000	1	GIROFARO	KIT LIGHT BEACON

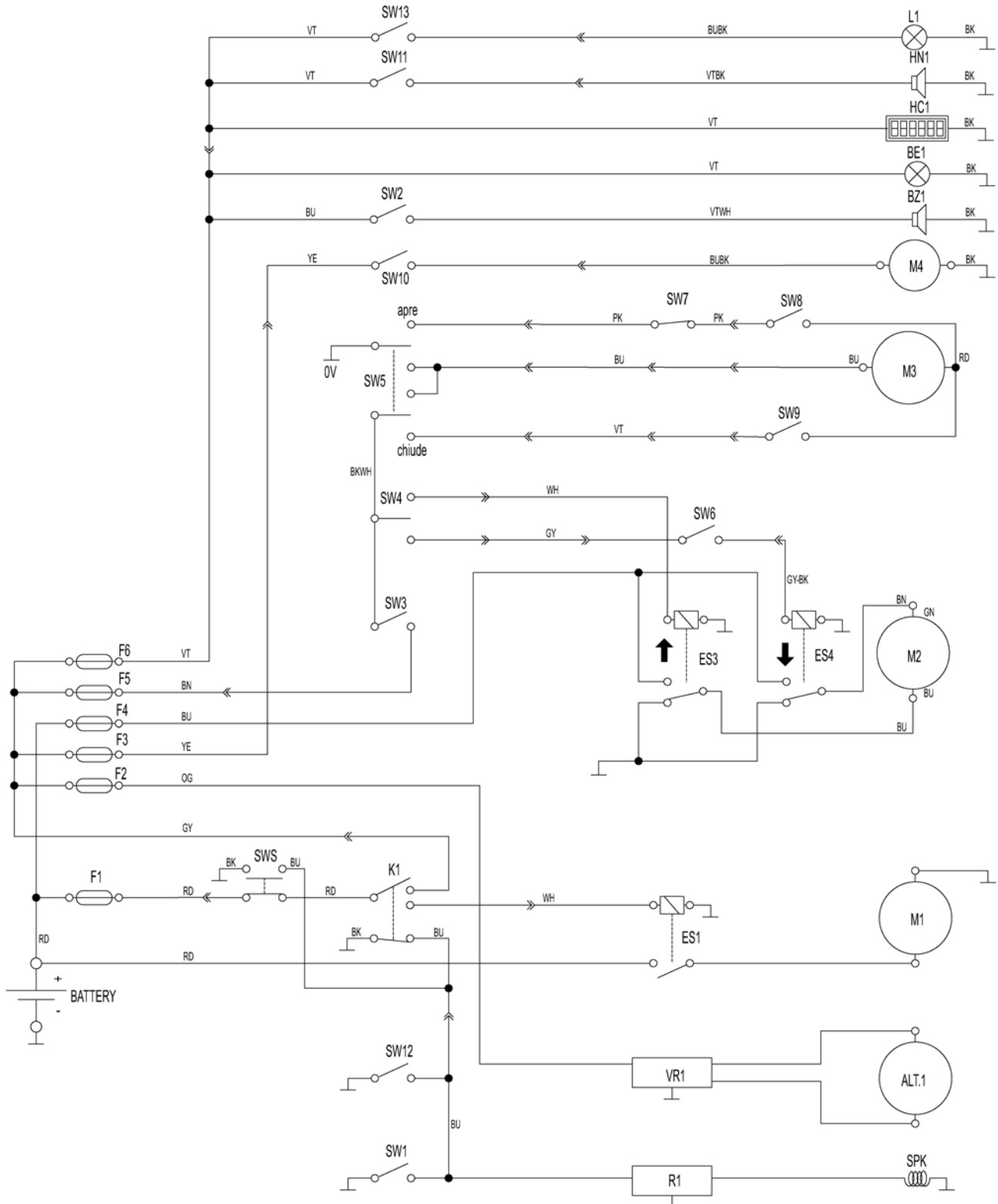


2004-05	ACCESSORI / ACCESSORIES	BOOK F		
2007-09	SR 1300H P	F	6.9.1	55

Pos Item Bild Rép	Codice Ref. No. Art. Nr. Réf. No	Q.tà Qty Menge Qté	Descrizione	Description
1*	146 1239 000	1	FILTRO A SACCHE COMPLETO	CLOTH POCKET FILTER
2*	146 1662 000	1	SUPPORTO FILTRO A SACCHE	SUPPORT
3*#	L08300000	2	RONDELLA PIANA 8X24	WASHER
4*	33005533	2	DADO E.BASSO M8	NUT
5*	146 1314 000	2	GOMMAANTIURTO	RUBBER
6*	146 1663 000	1	COLLARE MOTORE SCUOTILTRO	CLAMP
7*	146 1664 000	4	STAFFA FISSAGGIO FILTRO	BRACKET
8*	146 1665 000	1	SUPPORTO MOTORE SCUOTIFILTRO	SUPPORT
9*	33003979	4	VITE TE M6X40	SCREW
10*	33003793	2	VITE TE M8X55	SCREW
11*	146 1666 000	1	PIASTRA MOTORE SCUOTIFILTRO	PLATE
12*	33005842	3	RONDELLA	WASHER
13*	145 9120 00	5	RONDELLA PIANA	WASHER
14*	145 4772 000	4	INSERTO M6	INSERT
15*	33005913	4	RONDELLA PIANA	WASHER
16*	33003997	3	VITE TE M8X35	SCREW
17*	146 2093 000	1	KIT TETTuccio	KIT OVER HEAD GUARD
18*	146 2189 000	1	KIT MOTORE SCUOTIFILTRO	KIT FILTER SHAKER
19*	146 1674 000	1	SEPARATORE	SEPARATOR
20*	146 2182 000	1	KIT FILTRO A SACCHE	CLOTH POCKET FILTER KIT

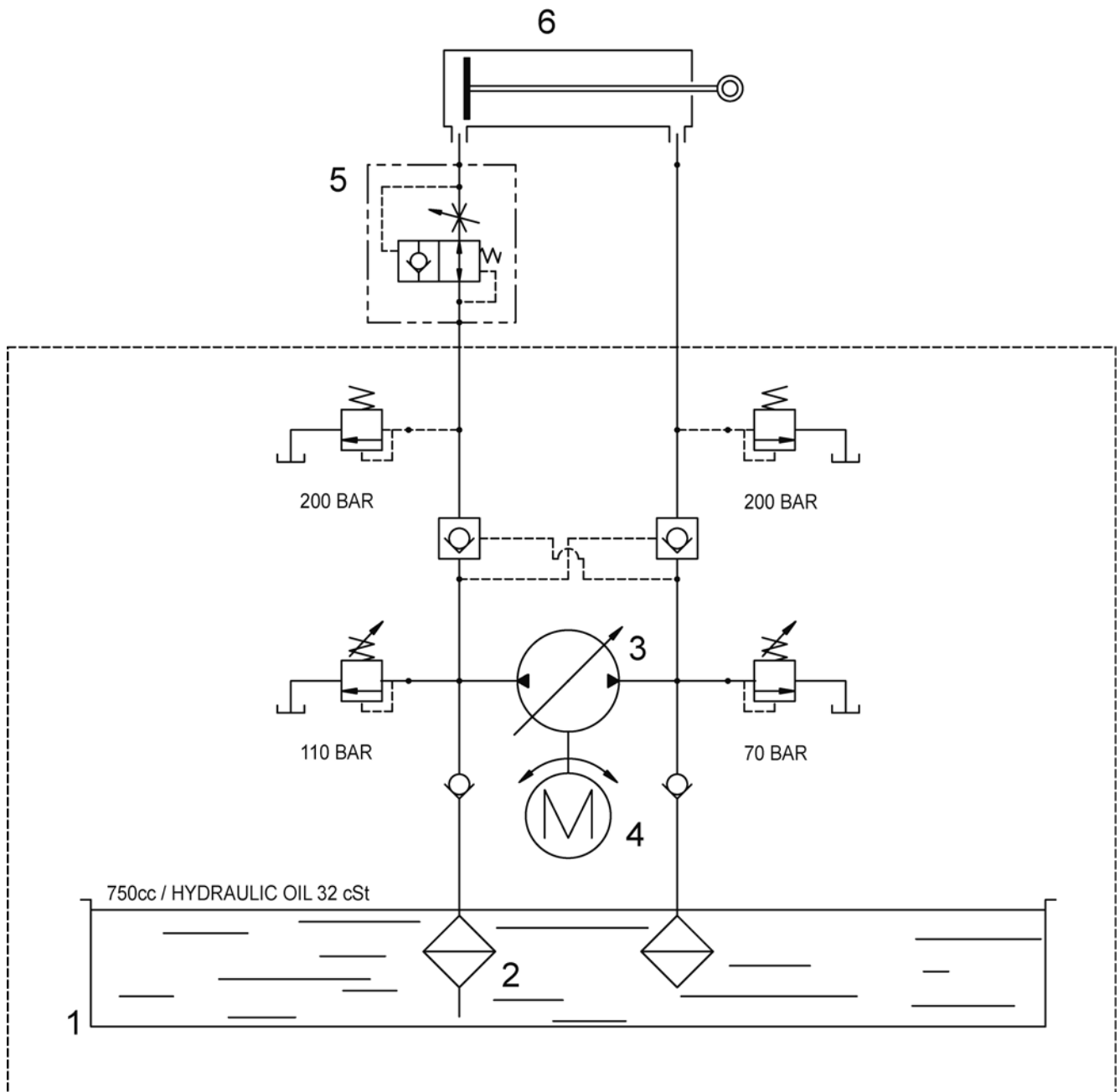
COMPONENTS	
ALT1	MAIN ALTERNATOR
BE1	BEACON (OPT)
BZ1	REAR BUZZER
ES1	STARTER ELECTROM. SWITCH
ES3	FORW. PUMP ELECTROM. SWITCH
ES4	REV. PUMP ELECTROM. SWITCH
F1	KEY FUSE (MINI/40A)
F2	CHARGE FUSE (15A)
F3	SHEARER FUSE (30A)
F4	HOPPER PUMP FUSE (30A)
F5	HOPPER ACTUATOR FUSE (10A)
F6	SECONDARY SERVICES FUSE (10A)
HC1	HOUR COUNTER
HN1	HORN
K1	KEY SWITCH
L1	WORKING LIGHT (OPT)
M1	STARTER
M2	HOPPER PUMP
M3	HOPPER ACTUATOR
M4	SHAKER MOTOR
R1	OIL ALERT RELAYS
SWS	SAFETY SWITCH
SW1	OIL ALERT SENSOR
SW2	REV. GEAR MICROSWITCH
SW3	HOPPER SAFETY SWITCH
SW4	HOPPER UP-DOWN SWITCH
SW5	HOPPER OPEN-CLOSE SWITCH
SW6	ORZONTAL HOPPER MICROSWITCH
SW7	UPPER HOPPER MICROSWITCH
SW8	OPEN HOPPER MICROSWITCH
SW9	CLOSE HOPPER MICROSWITCH
SW10	SHAKER SWITCH
SW11	HORN BUTTON
SW12	HOOD MICROSWITCH
SW13	WORKING LIGHT SWITCH (OPT)
SPK	ENGINE SPARKS (IGNITION SYSTEM)
VR1	MAIN VOLTAGE REGULATOR

COLORS CODES	
BK	BLACK
BU	BLUE
BN	BROWN
GN	GREEN
GY	GREY
OG	ORANGE
PK	PINK
RD	RED
VT	VIOLET
WH	WHITE
YE	YELLOW



LEGENDA / KEY

- | |
|--|
| 1) SERBATOIO OLIO IDRAULICO / HYDRAULIC OIL TANK |
| 2) FILTRO OLIO IDRAULICO / HYDRAULIC OIL FILTER |
| 3) POMPA IDRAULICA / HYDRAULIC PUMP |
| 4) MOTORE PROPULSIVO / ENGINE |
| 5) VALVOLA PARACADUTE / HOSE BURST VALVE |
| 6) CILINDRO IDR. SOLLEV. CASSONE / DUMPER LIFTING CYLINDER |



F

6.9.1

58

SR 1300H P

Pos Item Bild Rép	Codice Ref. No. Art. Nr. Réf. No	Q.tà Qty Menge Qté	Descrizione	Description
			MATERIALE DI USURA	WEAR PARTS
1	145 5665 000	1	FILTRO	FILTER (PAPER)
2	145 5927 000	2	FLAP LATERALE - STD	SKIRT (STD - SIDE)
3	145 4654 000	1	FLAP POSTERIORE -STD	SKIRT (STD - REAR)
4	145 4653 000	1	FLAP ANTERIORE - STD	SKIRT (STD - FRONT)
5	146 1018 000	1	SPAZZOLA CENTR.STD 3 RANGHI 300X800 MM PPL	MAIN BROOM 3 ROWS Ø 300X800 MM PPL
6	146 1025 000	1	SPAZZOLA LAT.STD 3 RANGHI 280X500 MM PPL	SIDE BROOM 3 ROWS Ø 280X500 MM PPL
7	146 1153 000	1	KIT MATERIALE DI CONSUMO (SPAZZOLE CENTR/ LATERALI/FLAP/FILTRO STANDARD)	KIT CONSUMABLES (STD MAIN/SIDE BRUSHES, FILTER, FLAPS)
			MANUTENZIONE ORDINARIA	ORDINARY MAINTENANCE
8	146 1158 000	1	GUARNIZIONE ADESIVA	GASKET
9	146 1159 000	2	GUARNIZIONE LATERALE CASSONE	HOPPER GASKET SIDE
10	146 1160 000	1	GUARNIZIONE POSTERIORE CASSONE	HOPPER GASKET REAR
11	146 0882 000	1	GUARNIZIONE CASSONE ANTERIORE	HOPPER GASKET FRONT
12	146 1147 000	1	GUARNIZIONE COFANO	HOPPER COVER GASKET
13	145 9494 000	1	RUOTA ANTERIORE	WHEEL FRONT
13	146 1876 000	1	RUOTA ANTERIORE	WHEEL FRONT
14	145 8422 000	2	RUOTA POSTERIORE	WHEEL REAR
14	146 1875 000	2	RUOTA POSTERIORE	WHEEL REAR
15	146 1013 000	1	TUBO ASPIRAZIONE	SUCTION TUBE
16	146 0897 000	1	CINGHIA	BELT
17	146 0896 000	1	CINGHIA	BELT
18	146 1038 000	1	CAVO ALZAFLAP	FLAP CABLE
19	146 0855 000	1	CINGHIA	BELT
20	146 1094 000	1	CINGHIA	BELT
21	146 2104 000	1	CINGHIA	BELT
			MANUTENZIONE STRAORDINARIA	EXTRAORDINARY MAINTENANCE
22	145 1784 000	1	CATENA	CHAIN 3/8 68 PITCHES
23	146 1057 000	2	CATENA	CHAIN 1/2 -5/16 100 PITCHES
24	145 2324 000	1	RIDUTTORE SPAZ. LATERALE DX	SIDE BROOM REDUCTIONGEAR BOX
25	146 0991 000	1	CAVO BLOCCO FRENO	BREAK CABLE
26	146 1093 000	1	MARTINETTO 12V	HOPPER JACK MOTOR 12V
27	146 1042 000	2	TUBO IDRAULICO	HYDRAULIC HOSE
28	145 9853 000	1	FUSIBILE 15A	FUSE 15A
29	145 0227 000	1	FUSIBILE 40A	FUSE 40A
30	145 8513 000	1	FUSIBILE 30A	FUSE 30A
31	146 0068 00	1	FUSIBILE 10A	FUSE 10A
32	145 0227 000	1	FUSIBILE 40A	FUSE 40A
33	145 8854 000	1	MICROINTERRUTTORE	MICROSWITCH
34	146 0848 000	1	MICRO CASSONE ORIZZ.	MICROSWITCH

2004-05	RICAMBI CONSIGLIATI / RECOMMENDED SPARE PARTS	BOOK F		
	SR 1300H P	F	6.9.1	59

Pos Item Bild Rép	Codice Ref. No. Art. Nr. Réf. No	Q.tà Qty Menge Qté	Descrizione	Description
			ACCESSORI	ACCESSORIES
146 1152 000			FLAP ANTERIORE ANTITRACCIA	NON-MARKING FRONT SKIRT
146 1151 000			FLAP POSTERIORE ANTITRACCIA	NON-MARKING REAR SKIRT
146 1150 000			FLAP LATERALE ANTITRACCIA	NON-MARKING SIDE SKIRT
145 6013 000			FILTRO IN POLIESTERE	POLYESTER FILTER
145 6135 000			SPAZZOLA CENTRALE FIBRA NATURALE	MAIN BROOM NATURAL FIBER
145 4963 000			SPAZZOLA CENTRALE MISTO ACCIAIO	MAIN BROOM STEEL MIX
146 1148 000			SPAZZOLA LATERALE FIBRA NATURALE	SIDE BROOM NATURAL FIBER
146 1149 000			SPAZZOLA LATERALE MISTO ACCIAIO	SIDE BROOM STEEL MIX)
146 0329 000			RUOTA ANTITRACCIA ANTERIORE	NON MARKING FRONT SUPERELASTIC WHEEL
146 0330 000			RUOTE ANTITRACCIA POSTERIORI	NON MARKING REAR SUPERELASTIC WHEELS
146 1157 000			KIT LUCE PIVOTTANTE SU ASTA DI SUPPORTO	KIT LIGHT BEACON
146 2182 000			KIT FILTRO A SACCHE	KIT CLOTH POCKET FILTER
146 2160 000			KIT SPAZZOLA LATERALE SX	KIT LEFT SIDE BROOM
146 1712 000			KIT LUCE DI LAVORO	KIT WORKING LIGHT
146 2093 000			KIT TETTuccio	KIT OVERHEAD GUARD
146 2098 000			KIT LUCE PIVOETTANTE PER TETTuccio	KIT LIGHT BEACON FOR OVERHEAD GUARD



Nilfisk-Advance SpA

Registered office: Via F. Turati 16/18, 20121 Milano

Administrative office: Strada Comunale della Braglia n° 18

26862 Guardamiglio (Lodi)

www.nilfisk-advance.com

Phone: +39 0377 451124

Fax: +39 0377 51443

Printed in Italy