

Backuum

Model:
NILFISK BACKUUM HEPA
NILFISK BACKUUM
STANDARD



Stückliste Deutsch

24-02-2015

Inhalt

Backuum

Nozzles 32 mm	3
Inlet coupling and hoses 38-32 mm	5
Motor und Kabel Typen	7
Upper part	9
Lower part	11
Electrical unit	13
Exhaust filterS standard/HEPA	15
DÜSEN	17
Tubes, hose and dustbagTUBES,HOSE AND DUSTBAG.	19
NILFISKMOP	21

Nozzles 32 mm

Backuum

24-02-2015


ET-Liste-Nr. 97700HP13

3


See hose connection diagram for Tapered 38/32mm and 32mm

Aluminium nozzle with adjustable lips

300mm
Rubber lips 11142200
Brush/rubber lips 12294400 1




400mm
Rubber lips 11505100 2




Flexible nozzles


Plastic, lightgrey 150mm 3 81140900




4 Rubber 200mm 81141000



Rubber Degree of hardness: 65 shore A 240mm 5 81141101

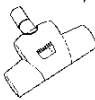


6 Rubber Black antistatic 81932600




Special nozzle


Turbo nozzle, wheeled Plastic ABS 21982000 7



Electro ESB 106 260mm For G580, GM80, G590, GM90 ...15010452 8




Electro nozzle 2832 grey, 280mm 22203000 9




Nozzles with parking clip


Combi dry nozzle grey, 306mm 12019401 10




Roller combi dry nozzle, grey, 294mm 12018501 11



Hard floor nozzle stationary brush, grey, 360mm 12017001 12




Electro nozzle grey, 280mm 12010100 13




Brushes & nozzles

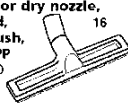
Plastic nozzle 120mm 81234800 32043700 (in bag) 14




Round brush turnable, plastic, 70mm 11276901 (in bag) 22103600 (in bag) 15




Hard floor dry nozzle, wheeled, with brush, plastic PP 22149100 16



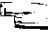
Crevice nozzle Plastic 360mm 81141200 17




Round brush Aluminium/wood 80mm 11142100 18




Narrow brush Bakelite 150mm 11140300 19




Crevice nozzle Plastic 245mm 81530400 20




Brush ring 11530500 21




Three-in-one nozzle, plastic, 305mm 11450201 22




Brush nozzles plastic, 280mm 11426700 23




Combi nozzle Plastic, 270mm 11980300 24




New Line
Roller combi nozzle black, 260mm 22190500 25



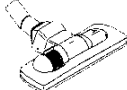
French floor nozzle with one hard brush strip 00396347 26



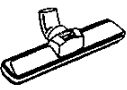
Same with one soft brush strip 00396348 26




Combi nozzle Plastic, 295mm 12041000 27




Carpet nozzle Plastic, 280mm 11276800 28



Carpet nozzle Aluminium/plastic, 400mm 11476200 29




Hard floor dry nozzle with stationary brush Plastic/Alu 11476301 30



NilfiskMop

Mop with plastic hose, tube length 800mm 17830000 31



Mop with plastic hose, tube length 1000mm 17830001

Mop with plastic hose, tube length 1180mm 17830002

Mop without plastic hose, tube length 800mm 17830006

Mop without plastic hose, tube length 1000mm 17830007

Mop without plastic hose, tube length 1180mm 17830008

Nozzles 32 mm

Backuum

24-02-2015

ET-Liste-Nr.
97700HP13

4

Pos	Artikelnr.	Me	Beschreibung
1	82366900	1	Rollendüse 32 / 370 mm
3	81140900	1	CREVICE NOZZLE KIT
3	81141103	1	Silikonspitzdüse gebogen32-240mm
4	81141101	1	DÜSE FLEXIBLE 240MM INLET 32MM RUB 65
5	81141101	1	DÜSE FLEXIBLE 240MM INLET 32MM RUB 65
6	81932600	1	Gummidüse schwarz 240 mmD = 32, antistat
9	22203000	1	Elektrobürste GD 5/10
14	32043700	1	Polsterdüse mit Einsatz 32/120
15	11276901	1	Pinselfbürste drehbar32/70
15	22103600	1	Pinselfbürste drehbar 32blaue Borsten
15	22302500	1	ROUND BRUSH
17	81141200	1	Ritzendüse Fiber32/360
18	11276901	1	Pinselfbürste drehbar32/70
19	11140300	1	BRUSH OVAL 32MM 150MM
20	81530400	1	Fugendüse gelocht PVC32-250mm
21	11530500	1	RADIATORBØRSTE
22	22359800	1	Kombidüse sz / 32mm
			Replaces 11450201
23	11426700	1	Bodenbürste 32/280
24	11980300	1	Kombidüse 2stufig27cm
24	22412900	1	NOZZLE COMBI BLACK
26	L00396347	1	FRENCH FLOOR NOZZLE HARD
26	L00396348	1	FRENCH FLOOR NOZZLE SOFT
27	22303900	1	COMBI WITH REEL ARNOLDI KIT
28	11276800	1	Teppichdüse32/280
29	11476200	1	Teppichdüse metall32/400
30	11476301	1	Bodendüse metall32/400
31	17830007	1	MOP WITHOUT HOSE 1000 MM MED.

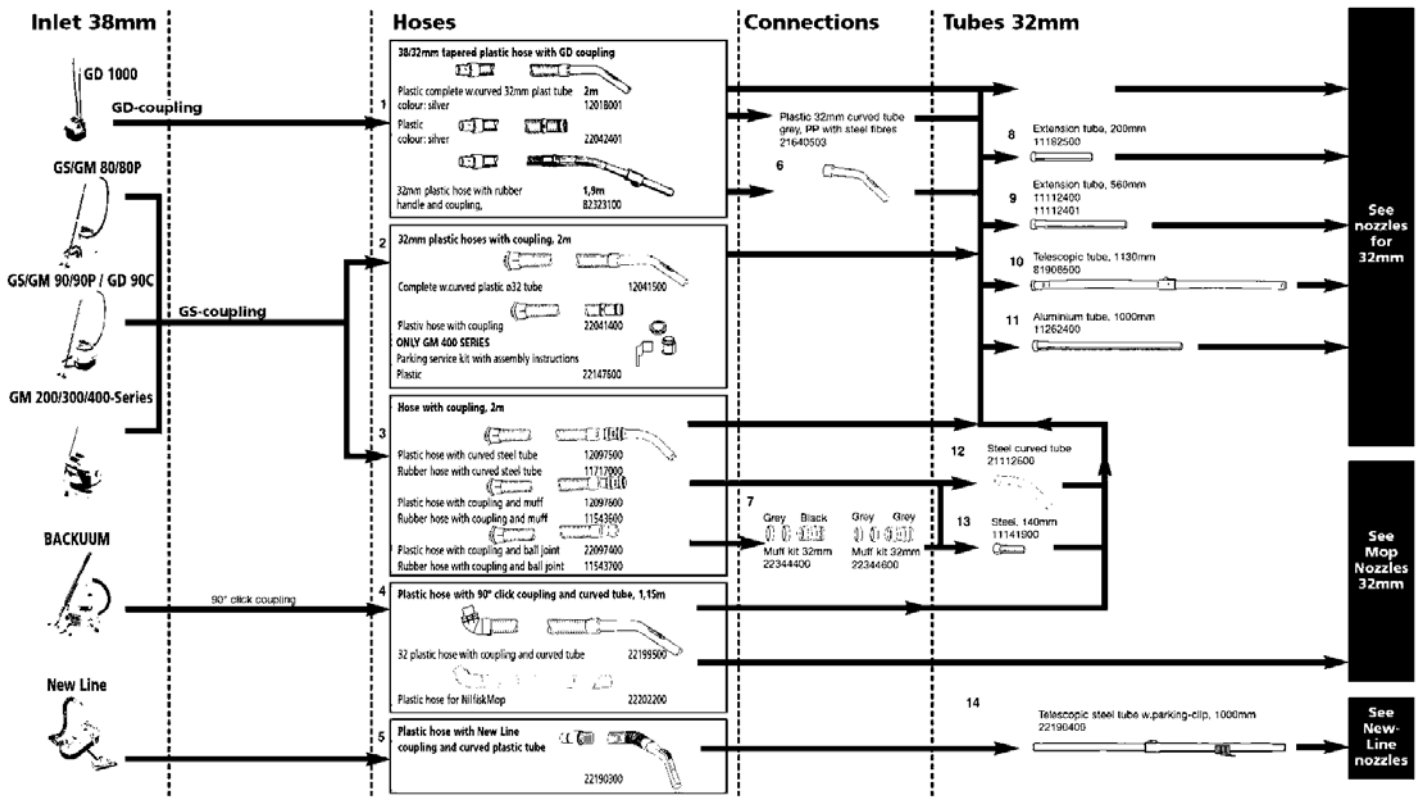
Inlet coupling and hoses 38-32 mm

Backuum

24-02-2015

ET-Liste-Nr.
97700HP14

5



Inlet coupling and hoses 38-32 mm

Backuum

24-02-2015

ET-Liste-Nr.
97700HP14

6

Pos	Artikelnr.	Me	Beschreibung
4	22199500	1	Schlauch Bakuum PVCkomplet 32/1200
4	22202200	1	Schlauch für Mop 1150 mmBackuum
6	21640503	1	Rohrbogen PVC / 32mm
8	11182500	1	Verlängerung 32/200
9	11112401	1	Stahlrohr gerade32/560
9	11112401	1	Stahlrohr gerade32/560
10	81906500	1	TUBE TELESC.LENGTH MAX 1130 MM
11	11262400	1	Rohr Alu 32/1000

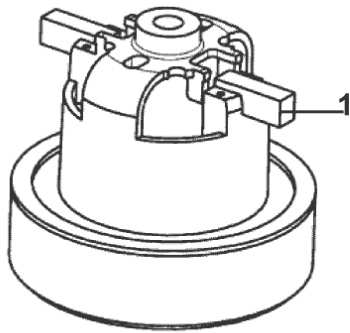
Motor und Kabel Typen

Backuum

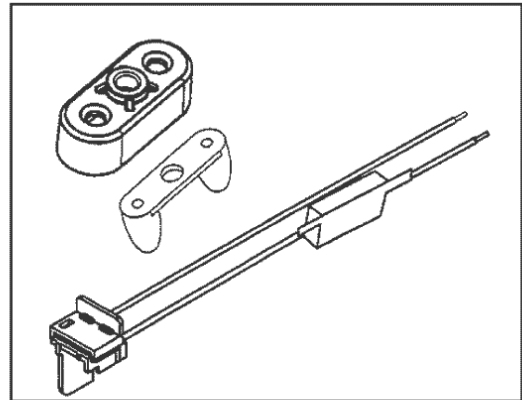
24-02-2015

ET-Liste-Nr. B1932

7



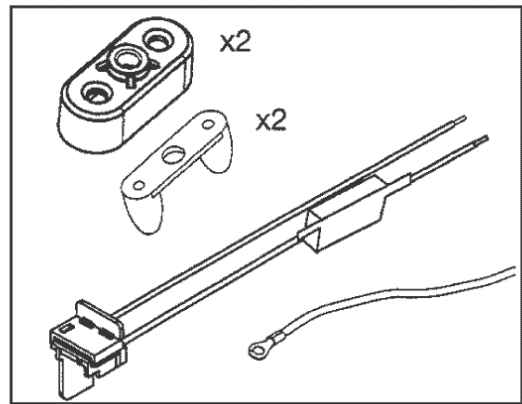
5



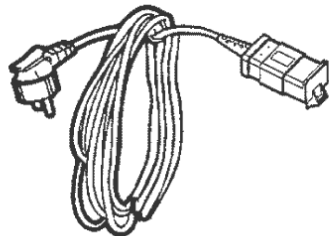
8B



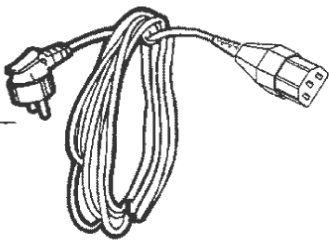
6



7



8



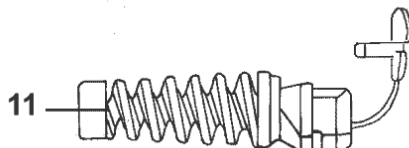
10



9



11



11B

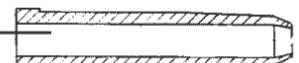


Fig. 1 Cord, ref. no. 221562xx

	Voltage	Plug type	
Index 01, Europa	250		
Index 02, UK	250		
Index 03, AUS/NZ	250		
Index 04, CH	-		
Index 05, Japan	120		
Index 07, Italy	250		
Index 08, USA Grounded	120		

Motor und Kabel Typen

Backuum

24-02-2015

ET-Liste-Nr.

B1932

8

Pos	Artikelnr.	Me	Beschreibung	
0	82155501	1	BOX	Box for re-pack
1	22240600	1	Motor 110.120 Voltgrounded	
1	22240601	1	Motor Backuum	
5	22200300	1	Thermoschutz	
6	22200301	1	INTERNAL WIRE KIT GROUNDED	
7	22156201	1	EXTENSION CORD EU KIT	
7	22156202	1	CORD CPL.UK KIT	
7	22156203	1	CORD CPL. AUS/ZN VERSION	
7	22156204	1	CORD SWITZERLAND KIT	
7	22156205	1	CORD CPL. US CANADA JAPAN	
7	22156206	1	CORD WITHOUT PLUG	
8	140 7679 000	1	CORD SET US 16 AWG GROUNDED	
8	140 8037 000	1	EXTENSION CORD US L 15000	
8	22156208	1	CORD CPL. US GROUNDED VERSION	
9	140 6423 500	1	Netzkabel 15m schwarz zu Backuum BB	
9	140 6423 520	1	CORD KIT CH L 15M	Machine outphased 2010
9	140 6423 530	1	CORD UK L 15M	
9	140 6676 020	1	CORD SET AU-PLUG	
9	140 6702 570	1	CORD SET 10.5M JP	
10	140 7688 000	1	Kabelschutz zu Backuum	
11	140 7688 000	1	Kabelschutz zu Backuum	
8B	140 3859 100	1	CORD SET L 400	HEPA US
8B	140 8057 000	1	CORD W. MALE PLUG L 400MM	
11B	140 0467 510	1	Knickschutzülle n.Vnicht mehr bestellen	

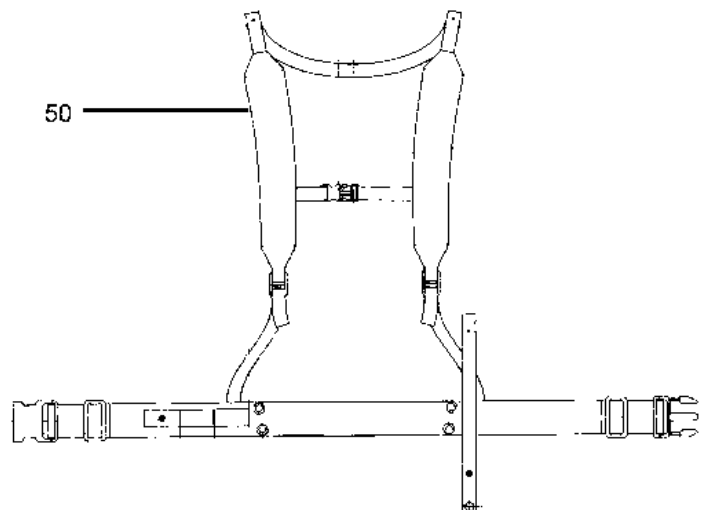
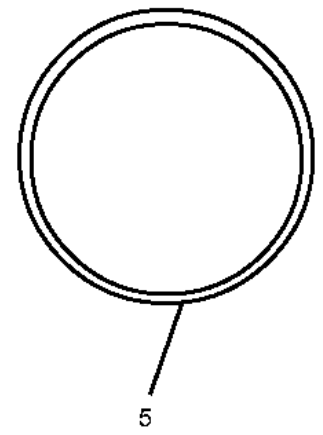
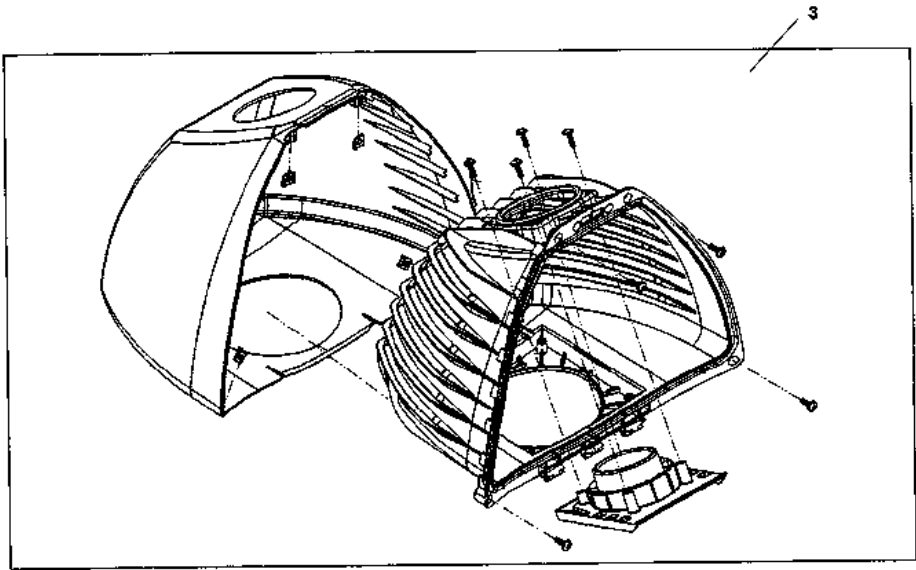
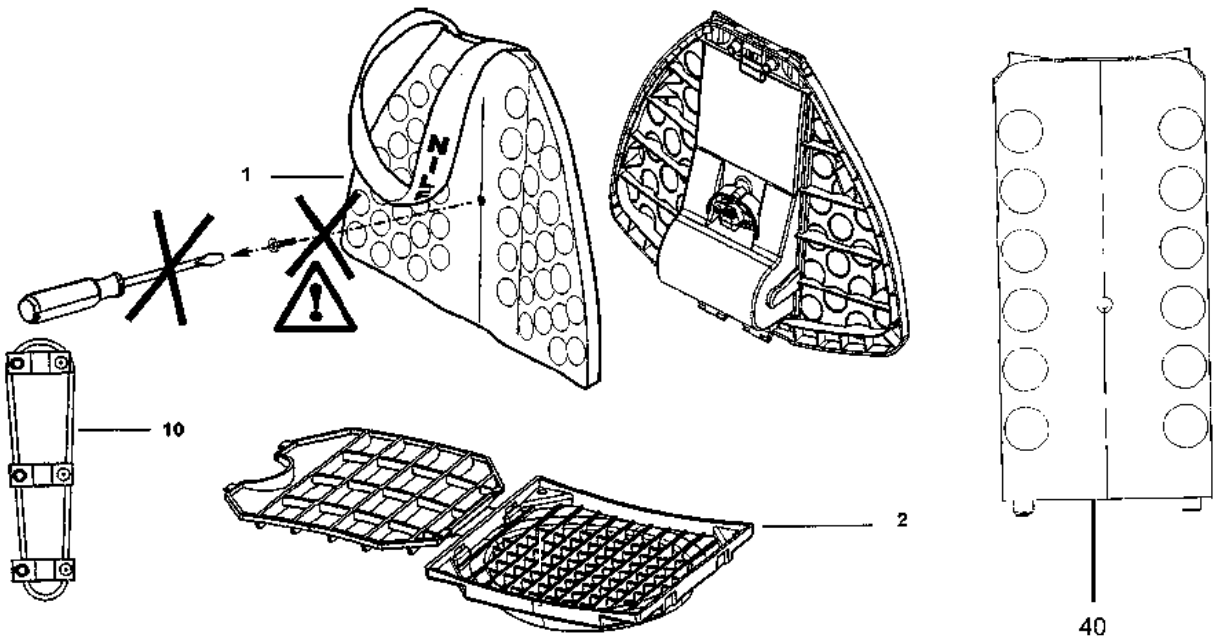
Upper part

Backuum

24-02-2015

ET-Liste-Nr. B1934

9



Upper part

Backuum

24-02-2015

ET-Liste-Nr. B1934

10

Pos	Artikelnr.	Me	Beschreibung
1	22197300	1	Gehäuseteil obenBackuum
2	22199100	1	Filtergitter mit Filterzu Backuum
3	22209600	1	Sackgehäuse BackuumBackuum
5	62152700	1	StaubkammerdichtungBackuum
10	22221800	1	Schulterpolster Backuum1 Satz
40	82153800	1	Platte für Deckelzu Backuum
50	140 7863 510	1	Traggurtenkit fix Backuum

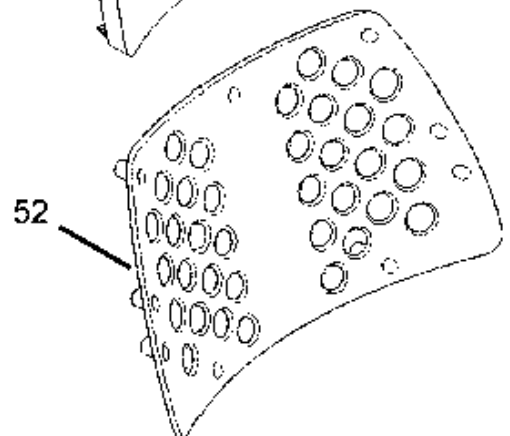
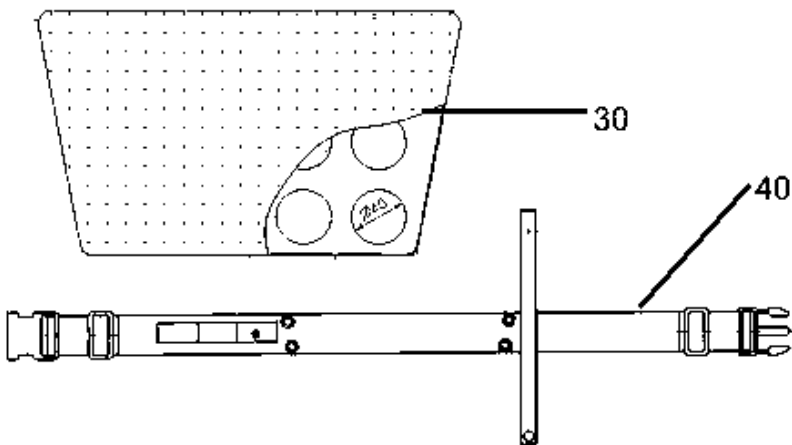
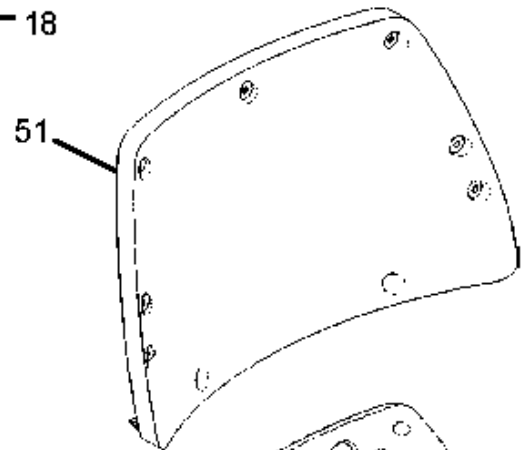
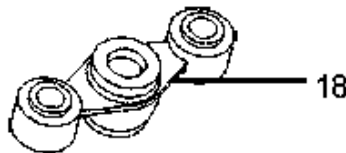
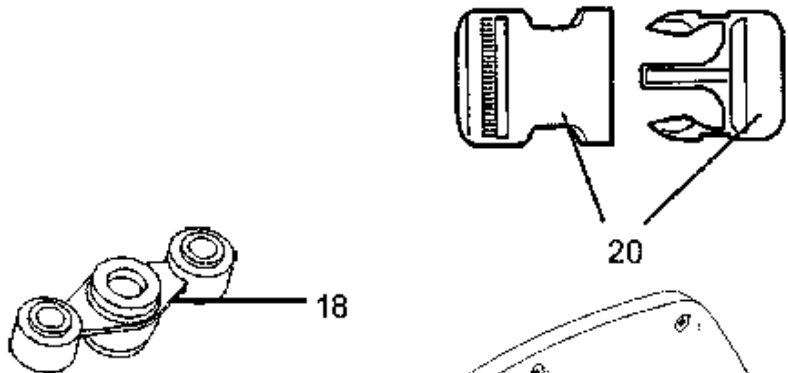
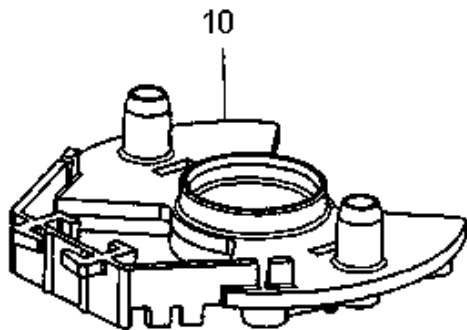
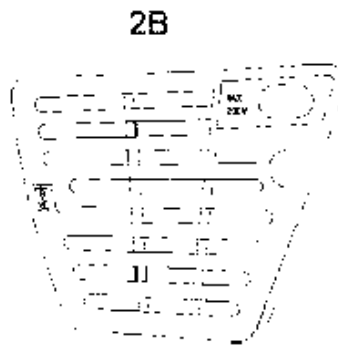
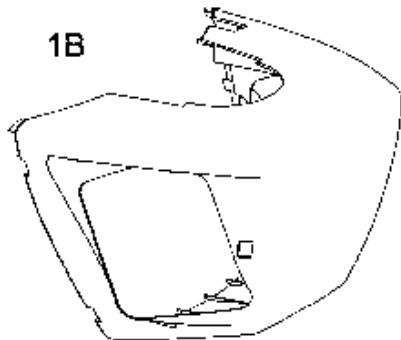
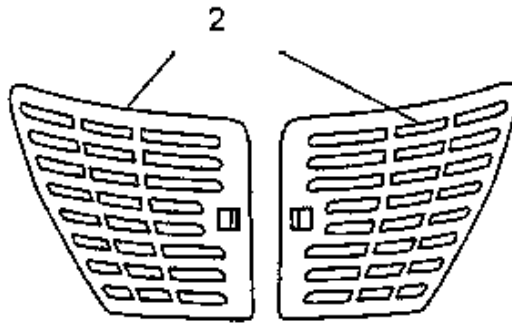
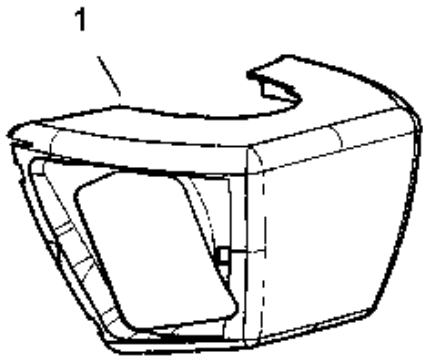
Lower part

Backuum

24-02-2015

ET-Liste-Nr. B1936

11



Lower part

Backuum

24-02-2015

ET-Liste-Nr. B1936

12

Pos	Artikelnr.	Me	Beschreibung
1	22200600	1	Motorgehäuse zu Backuum
2	22197500	1	Gitter für Backuum(links und rechts)
10	22199000	1	Motoraufhängung
18	82157400	1	Aufhängung, Gummi
1B	140 8031 510	1	MOTOR HOUSING COVER SILVER KIT
20	22200100	1	Schnalle zu GürtelBackuum
2B	140 8030 510	1	Schutzgitterkit (lire)
30	140 7934 000	1	MESH CUSHION
40	140 7863 510	1	Traggurtenkit fix Backuum
50	140 7975 000	1	HEAT REFLECTOR 250X135
51	140 8032 000	1	Rückenplatte Bacckum
52	140 7949 000	1	Rückenplatte gelochtzu Backuum

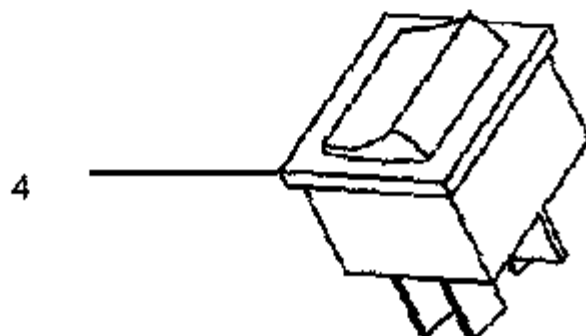
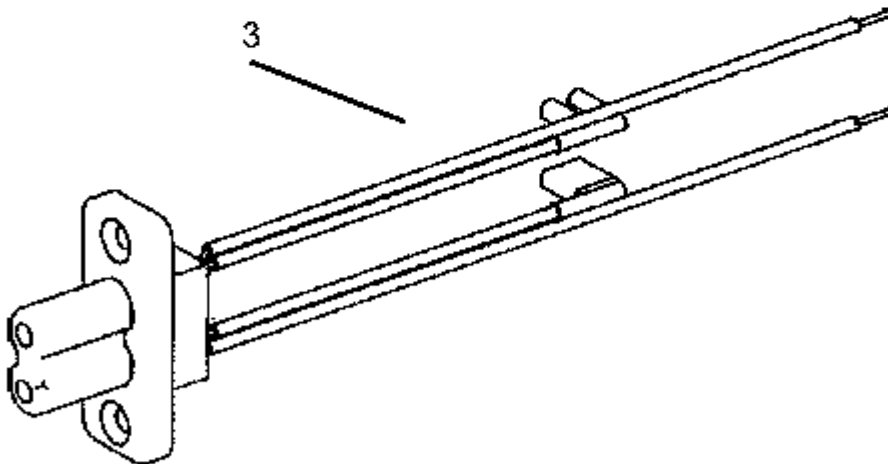
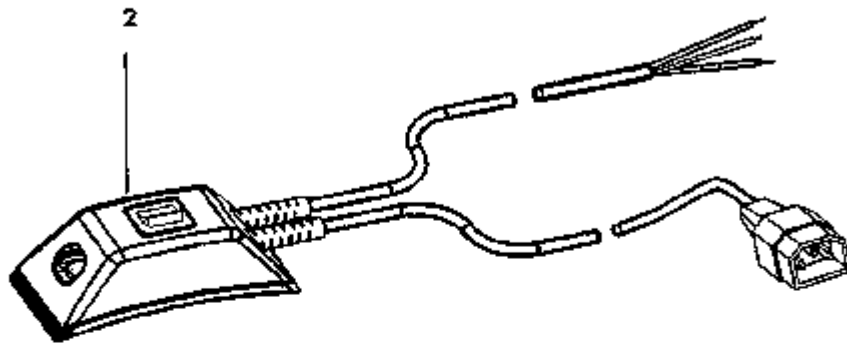
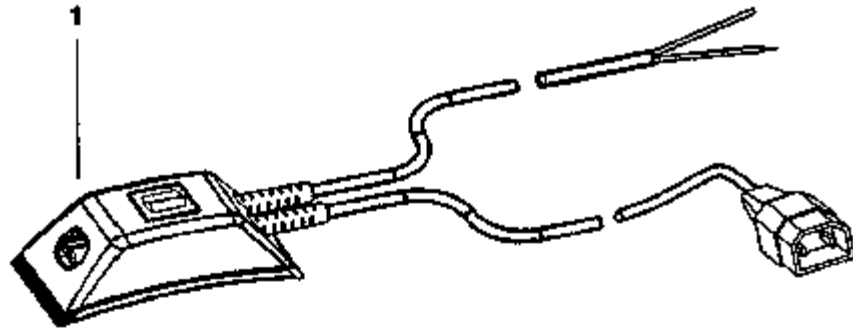
Electrical unit

Backuum

24-02-2015

ET-Liste-Nr. B1938

13



Electrical unit

Backuum

24-02-2015

ET-Liste-Nr. B1938

14

Pos	Artikelnr.	Me	Beschreibung	
1		1	NOTE COMMENT	no longer available, machine older than 2002
2		1	NOTE COMMENT	no longer available, machine older than 2002
3	140 8036 000	1	Steckdose ESB Backuum	
4	140 5496 510	1	Schalter UL KIT	

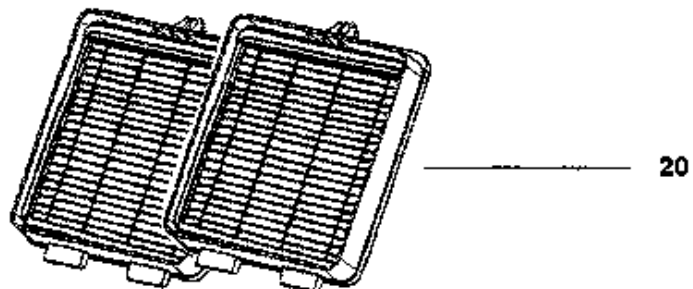
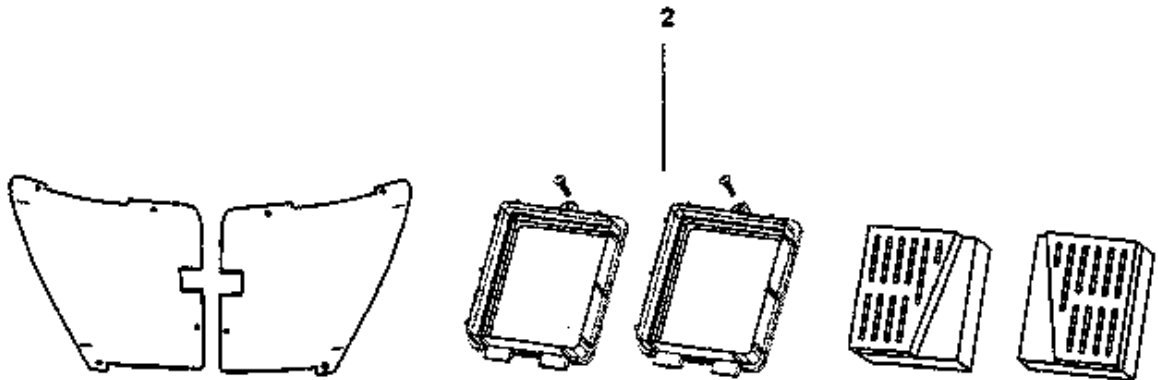
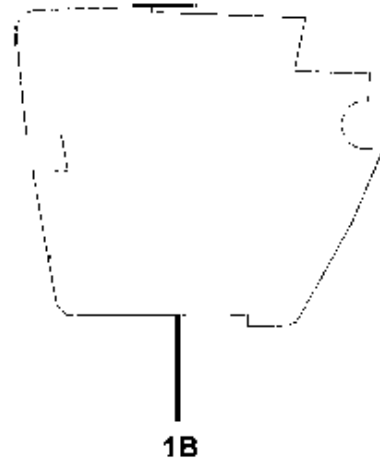
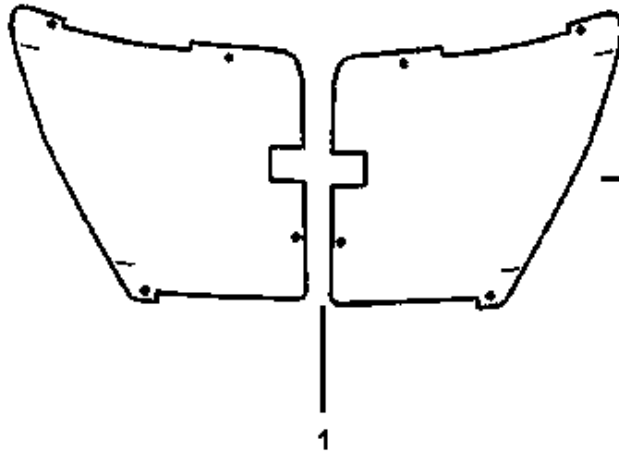
Exhaust filterS standard/HEPA

24-02-2015

ET-Liste-Nr. B19310

Backuum

15



Exhaust filterS standard/HEPA

Backuum

24-02-2015

ET-Liste-Nr. B19310

16

Pos	Artikelnr.	Me	Beschreibung
1	140 8038 500	1	Abluftfilter Set Backuumrechts und links
3	22244400	1	Schalldämpfer BackuumSet à 2 (links+rech
1B	140 8038 000	1	Abgasfilter rechts
20	22197900	1	HEPA-Filterset Kit(2 Stk)Backuum

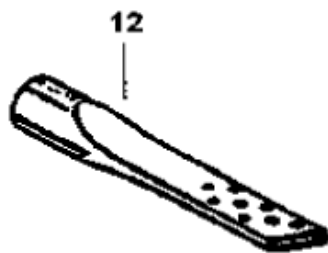
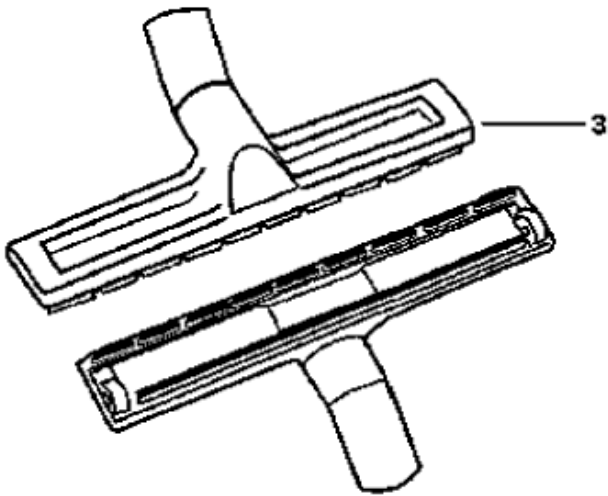
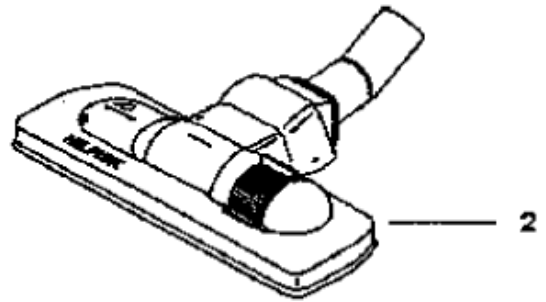
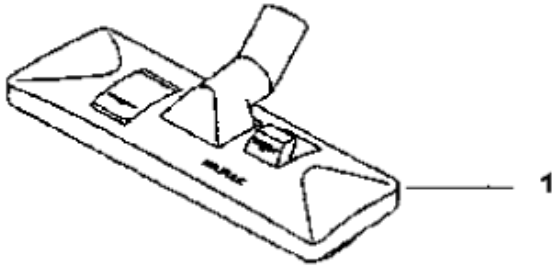
DÜSEN

Backuum

24-02-2015

ET-Liste-Nr. B19312

17



DÜSEN

Backuum

24-02-2015

ET-Liste-Nr. B19312

18

Pos	Artikelnr.	Me	Beschreibung
1	11980300	1	Kombidüse 2stufig27cm
2	22359800	1	Kombidüse sz / 32mm
5	147 0822 000	1	Kabel f. ESB
5	22203000	1	Elektrobürste GD 5/10
10	32043700	1	Polsterdüse mit Einsatz 32/120
11	11276902	1	Pinselfbürste 32mm
11	22103600	1	Pinselfbürste drehbar 32blaue Borsten
12	81530400	1	Fugendüse gelocht PVC32-250mm
13	11530500	1	RADIATORBØRSTE
14	81140900	1	CREVICE NOZZLE KIT
15	22365000	1	Walze inkl. Flachriemen

Tubes, hose and dustbag TUBES, HOSE AND DUSTBAG

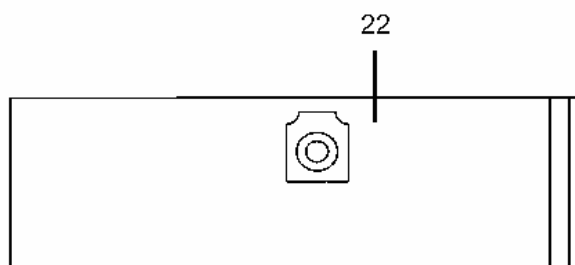
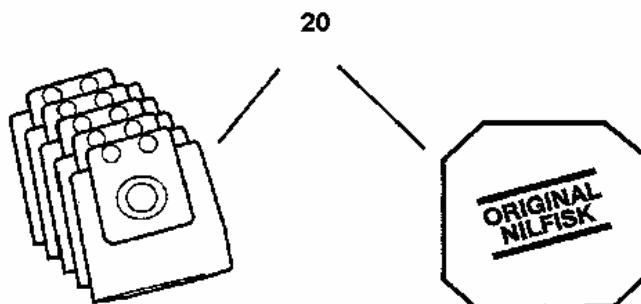
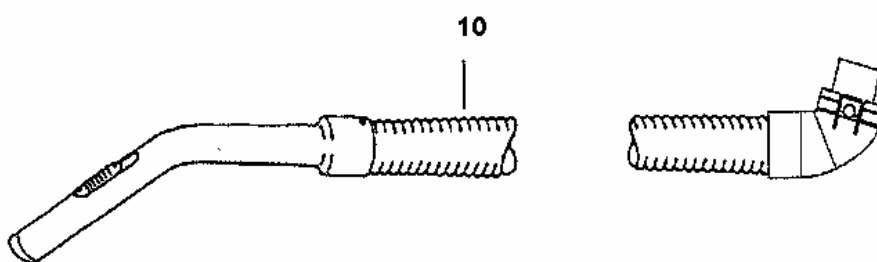
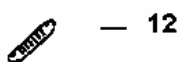
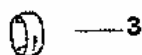
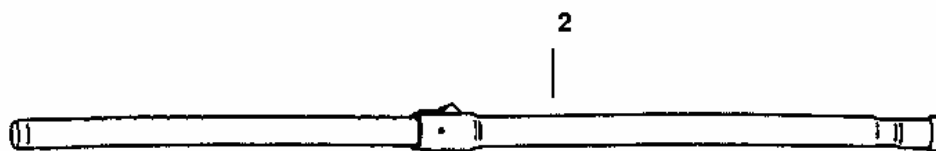
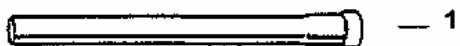
24-02-2015

ET-Liste-Nr.

B19314

Backuum

19



Tubes, hose and dustbag TUBES, HOSE AND DUST

Backuum

24-02-2015

ET-Liste-Nr.

B19314

20

Pos	Artikelnr.	Me	Beschreibung
1	11182500	1	Verlängerung 32/200
1	11262400	1	Rohr Alu 32/1000
2	81906500	1	TUBE TELESC.LENGTH MAX 1130 MM
3	81192100	1	Rohrring 32 mm 3 Nocken
3	81948300	1	Rohrring für Teleskoprohr
10	22199500	1	Schlauch Backuum PVCkomplet 32/1200
11	21640503	1	Rohrbogen PVC / 32mm
12	81640602	1	ATMOS. VALVE
20	22198000	1	Staubbeutel Backuum5 Stk. inkl. 1 Vorfil
22	140 7019 020	1	CLOTH DUST BAG BACKUUM

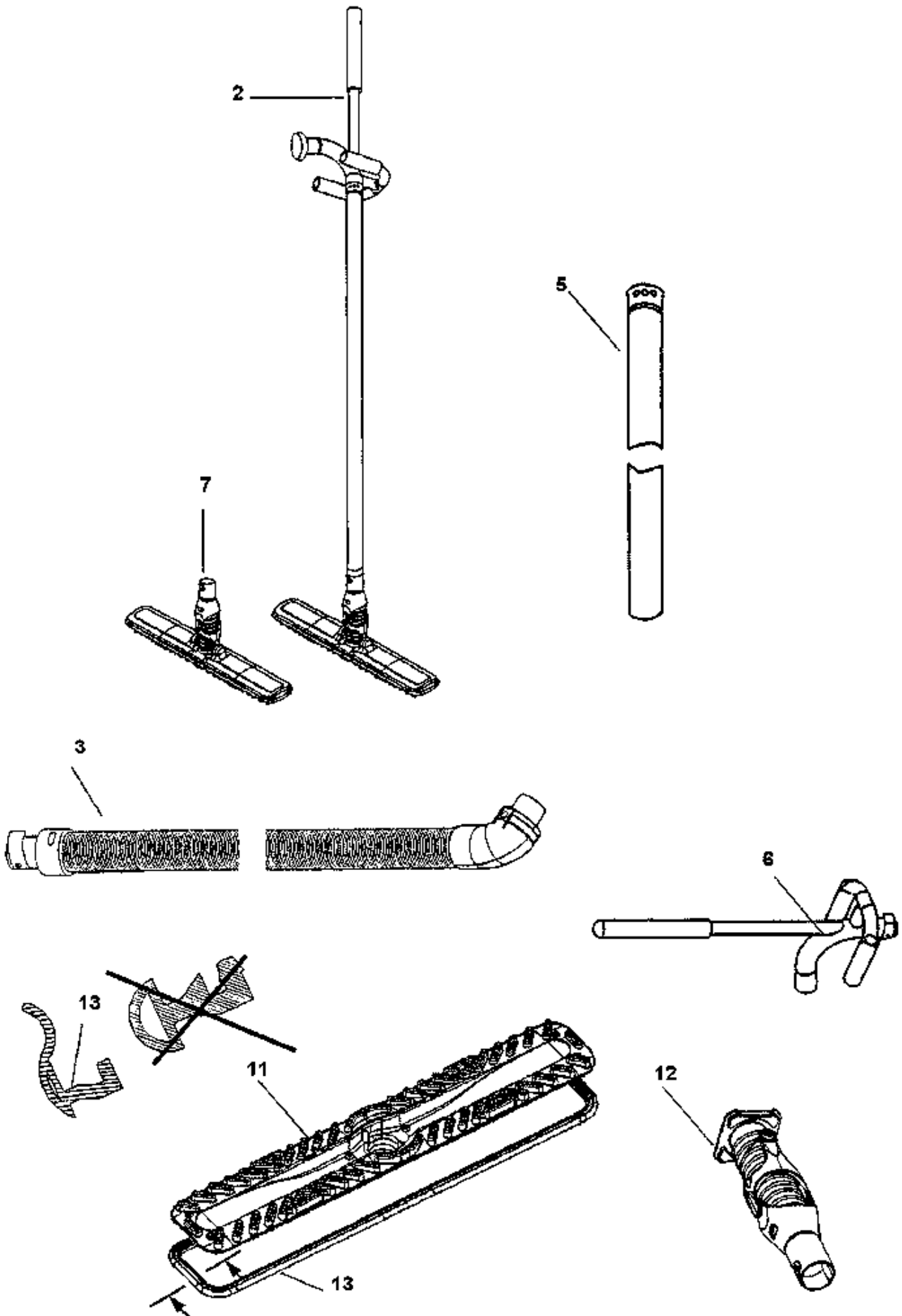
NILFISKMOP

Backuum

24-02-2015

ET-Liste-Nr. B19316

21



NILFISKMOP

Backuum

24-02-2015

ET-Liste-Nr. B19316

22

Pos	Artikelnr.	Me	Beschreibung
2	17830007	1	MOP WITHOUT HOSE 1000 MM MED.
3	22202200	1	Schlauch für Mop 1150 mmBackuum
5	62188100	1	TUBE LENGTH 800 MM
5	62188300	1	TUBE LENGTH 1180 MM
6	62188400	1	HANDLE
7	22201800	1	MOP NOZZLE
11	22144600	1	Bürstenplatte für Mop
12	22144300	1	Gelenk zu MOP
13	22145500	1	Gummileiste zu Nilfisk Mop