

# A2K/KL

---

Model:  
A 2K



Part List US-English

11-02-2015

# Table of Contents

A2K/KL

<b>Cabinet</b>	<b>3</b>
<b>Chassis and various parts</b>	<b>5</b>
<b>Motor pump unit 1</b>	<b>7</b>
<b>Motor pump unit 2</b>	<b>9</b>
<b>By-pass valve</b>	<b>11</b>
<b>Electrical components</b>	<b>13</b>

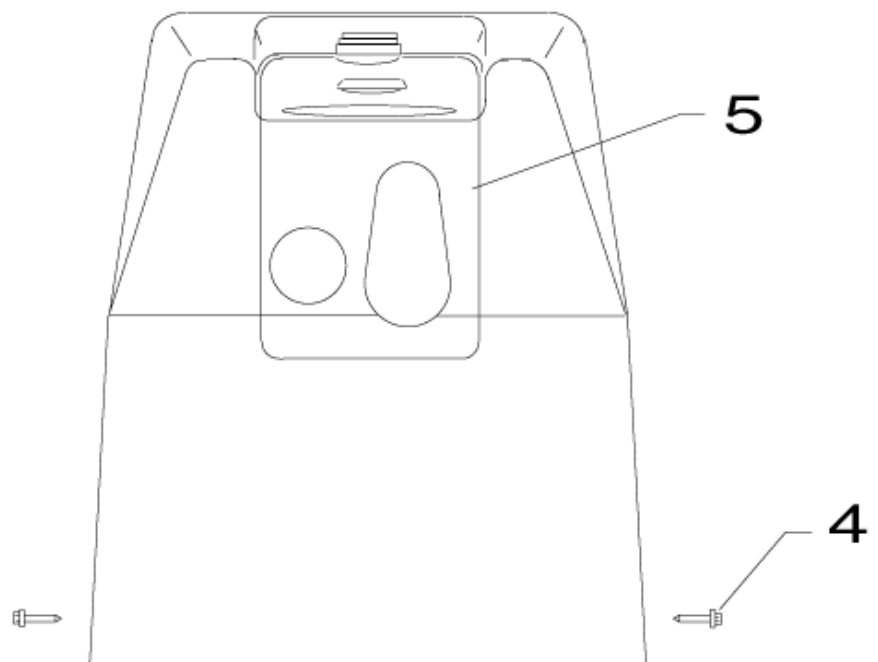
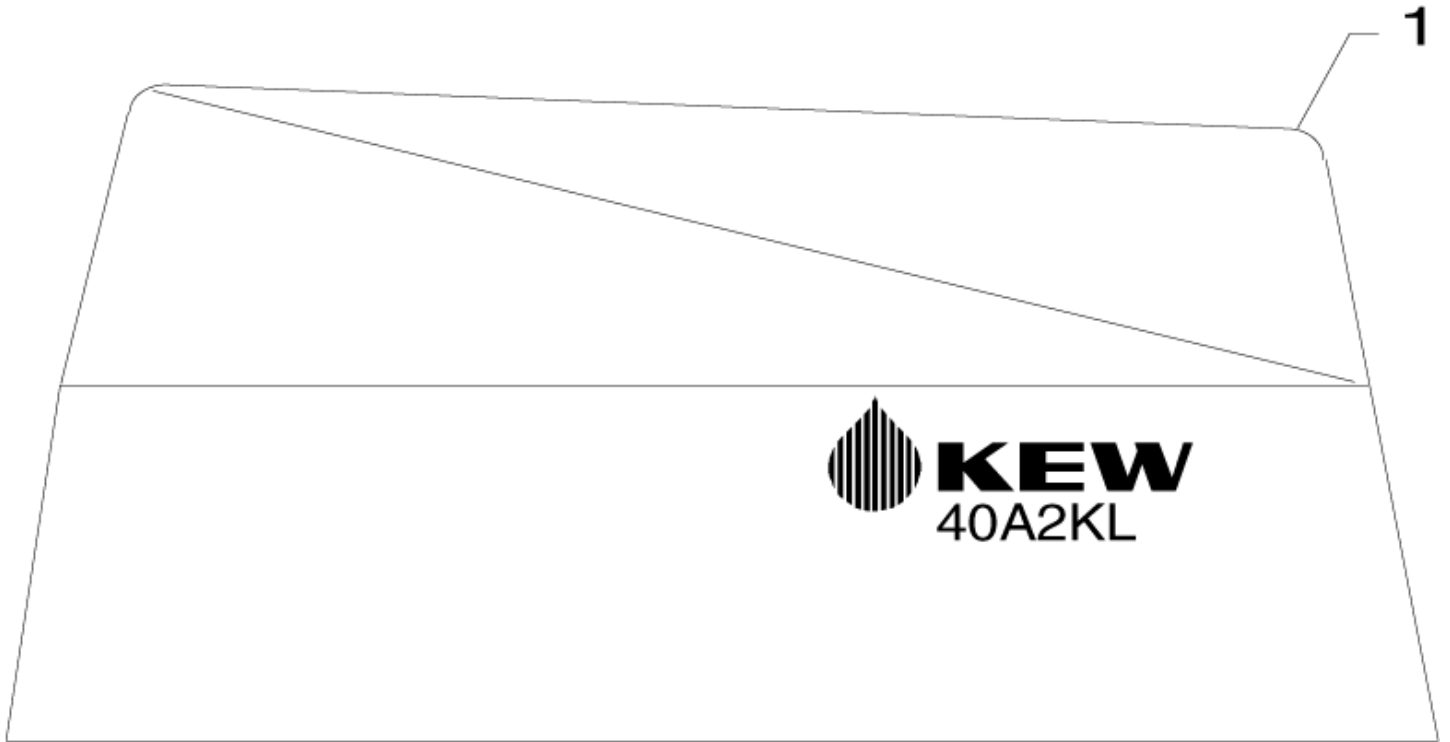
# Cabinet

A2K/KL

11-02-2015

Part List ID A2K02

3



# Cabinet

A2K/KL

11-02-2015

Part List ID  
A2K02

4

Pos	Part no.	Qty	Description	
4	1803592	2	SHEET METAL SCREW	
11	6101588	1	SPACER	B
12	3000387	1	O-RING 3.1 X 1.6 SMS	B
13	3000064	1	O-RING 14.1X1.6 NITRIL 70SH	B
15	1803451	1	SCREW M4X10 POZI DIN 965 BLACK-CHROM	B
16	6101574	1	DIAL PLATE	B

# Chassis and various parts

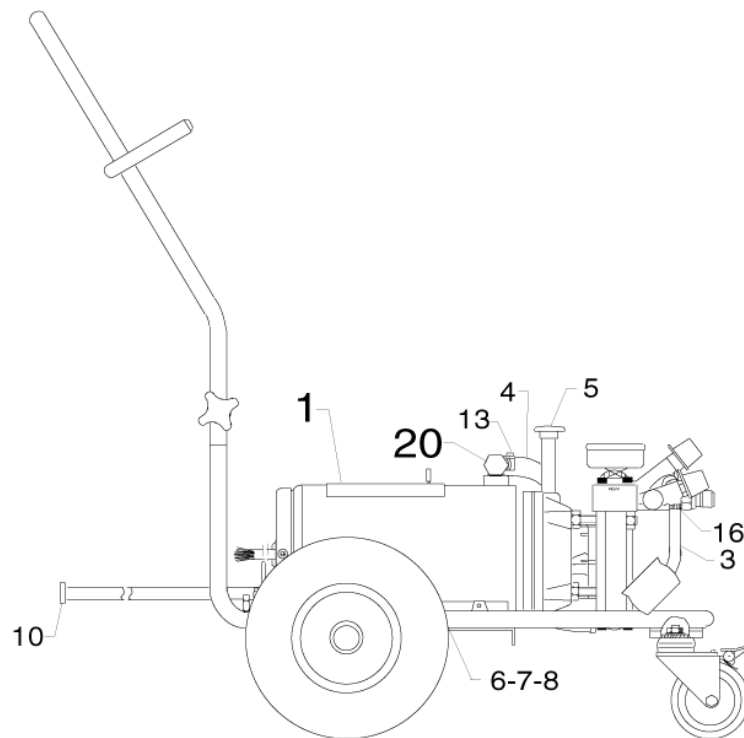
11-02-2015

Part List ID

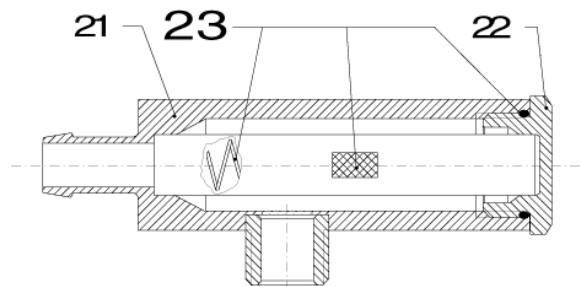
A2K04

A2K/KL

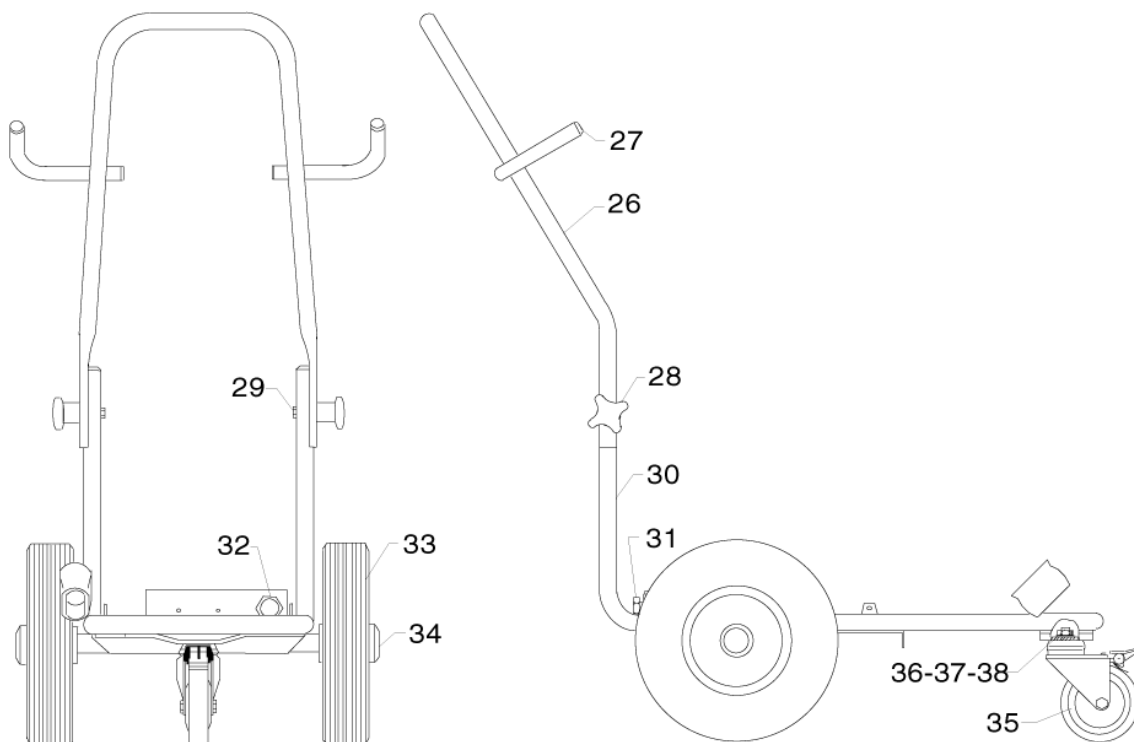
5



20



25



# Chassis and various parts

A2K/KL

11-02-2015

Part List ID

A2K04

6

Pos	Part no.	Qty	Description	
-	1600659	1	LP NIPPLE F. Q.-COUPLING 3/4IN	3/4"
-	1602473	1	MALE COUPLING 5/8IN	5/8"
-	1605955	1	NIPPLE F. QUICK COUPLING L.P	USA
3	5206636	1	HOSE 6/10	(L=2100)
4	5206065	1	AIR PRESSURE HOSE 1/2	(L=295)
5	6105375	1	OIL GAUGE PIN	
6	1802909	4	SCREW M8X16	
8	1810274	8	WASHER M8 - DIN 6798J	
10	6400240	1	CHEMICAL FILTER /PLASTIC/	A2KL
13	1805100	2	HOSE CLIP 8-22MM	A2KL
16	1810084	1	HOSE CLIP 10.8/12.3	A2KL
22	6105545	1	PLUG FOR FILTER HOUSING	
23	1119316	1	REP.KIT FOR FILTER HOUSING	
25		1	NOTE COMMENT	
26	6105719	1	CLAMP REAR	
27	4600664	6	FERRULE Ø19	
28	4000279	2	STAR HANDLE	
29	6101553	2	SCREW Ø 6X41	
31	3800760	1	BRACKET	
32	3800786	1	Lock nut DIN46320	
33	2010999	2	WHEEL 225MM FOR 20 5MM AXLE	
34	2003481	2	HUB-CAP D20	
35	2011054	1	GUIDE ROLLER Ø100X125 H121 W/BRAKE ST/ZN	
36	1800465	1	NUT M10 DIN 934	
37	1801968	1	TOOTHED LOCK WASHER M10 FZB DIN6798	
38	1801133	1	SCREW M10X25 ISO4017 ZN	

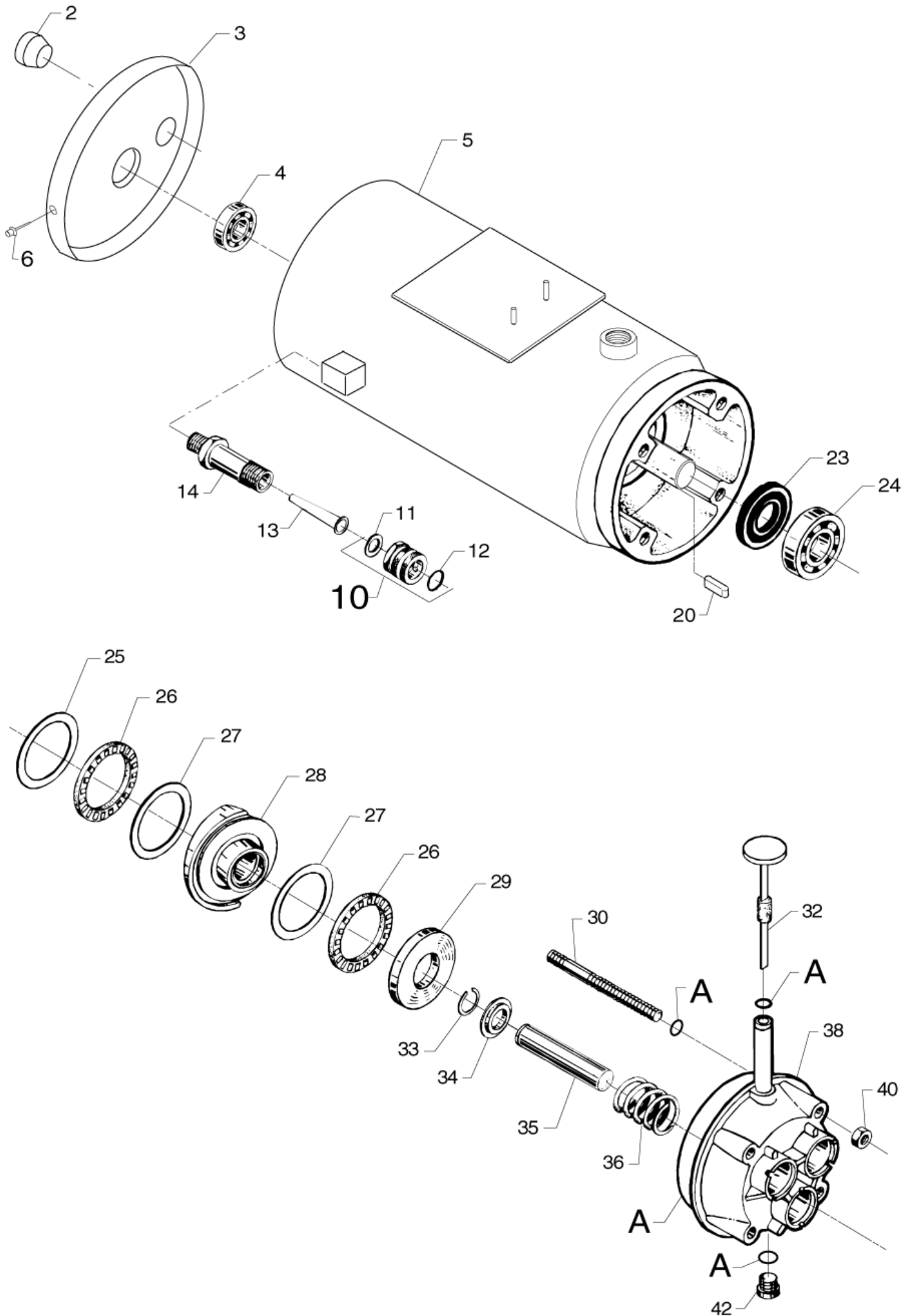
# Motor pump unit 1

A2K/KL

11-02-2015

Part List ID A2K06

7



# Motor pump unit 1

## A2K/KL

11-02-2015

Part List ID  
A2K06

8

Pos	Part no.	Qty	Description
2	3803780	1	GROMMET 10-14C
3	6105485	1	REAR BEARING COVER
4	3200870	1	BALL BEARING
5	6105334	1	MOTOR 3X250V-430V
A	1119017	1	GASKETS REP.KIT
10	1602945	1	QUICK COUPLING 3/4 W/GASKET
11	3001237	1	GASKET Ø24.5XØ16X3 NITRIL 80SH
12	3000320	1	O-RING 20X3 NITRIL
14	6105511	1	FILTERHOUSING 86MM LONG
20	3200789	1	KEY
23	3001872	1	OILSEALING RING
24	3200888	1	BALL BEARING 6206
25	3200896	1	INA BEARING
26	3200912	2	BEARING
27	3200904	2	BEARING RING
28	6105505	1	WOBBLE DISC C
28	6105507	1	WOBBLE DISC E
28	6105508	1	WOBBLE DISC F
29	6105499	1	BEARING WASHER
30	6105480	4	STAY BOLT FOR PUMP.
32	6105375	1	OIL GAUGE PIN
33	1803162	3	SEEGER CIRCLIP RING
34	6105521	3	RING FOR RETURN SPRING
35	6150619	3	PISTON
35	6152604	3	PISTON
36	2600591	3	RETURN SPRING
38	6105474	1	CYLINDERBLOCK
40	1800465	6	NUT M10 DIN 934
41	6105518	1	PIPE FOR OILFILLING
42	6105533	1	PLUG OIL OUTLET



# Motor pump unit 2

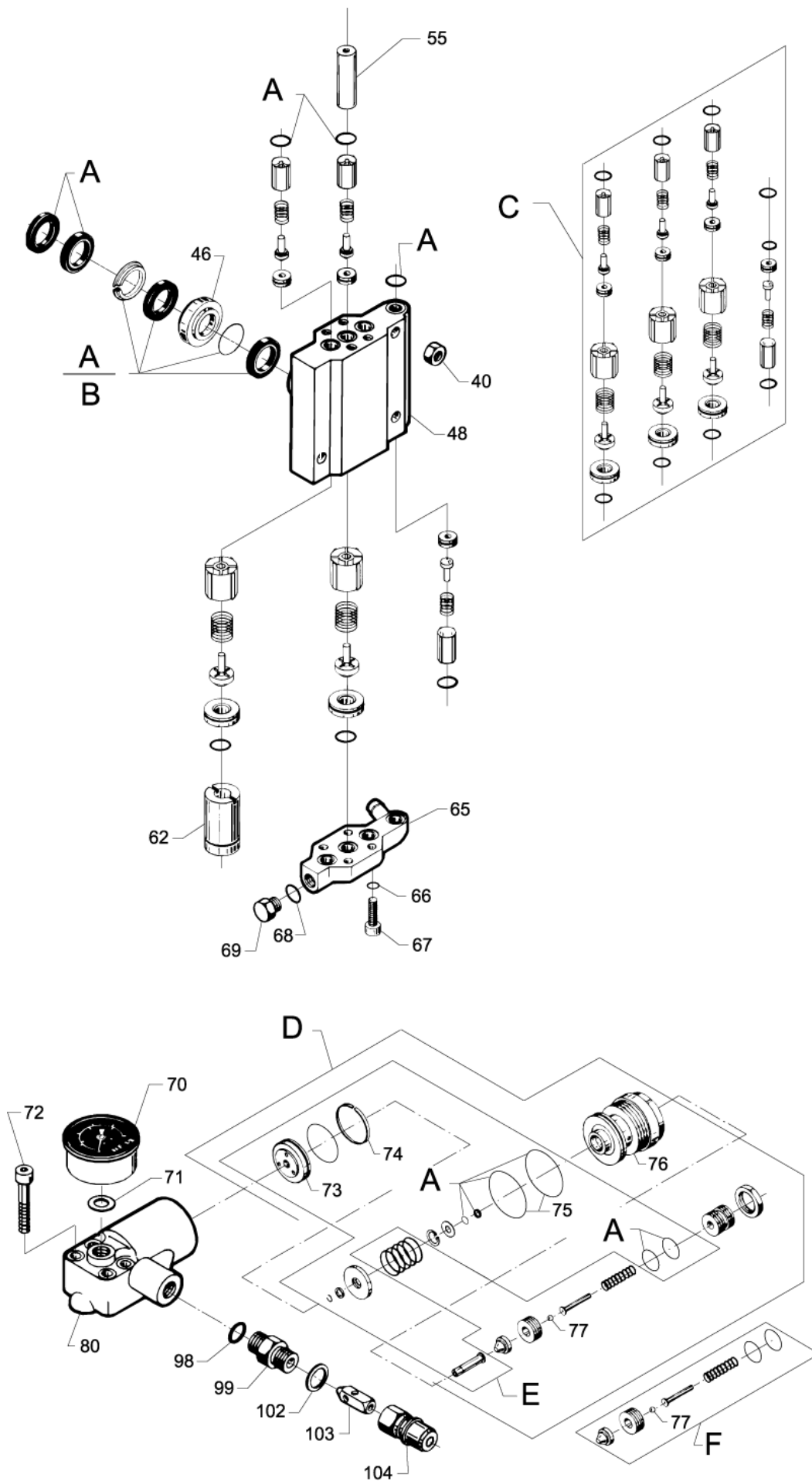
A2K/KL

11-02-2015

Part List ID

A2K08

9



# Motor pump unit 2

## A2K/KL

11-02-2015

Part List ID  
A2K08

10

Pos	Part no.	Qty	Description	
A	1119017	1	GASKETS REP.KIT	
B	1119037	1	GASKETS REDUCED REP.KIT	
C	1119310	1	VALVE SET 4X O2/A2/O3	
D	1119101	1	BY-PASS VALVE A2V REP.KIT	
E	1119013	1	REPAIR KIT FOR BY-PASS VALVE	
F	1119038	1	REP KIT F. SAFETY VALVE	
40	1800465	1	NUT M10 DIN 934	
46	6150609	3	THRUST COLLAR	
48	6105476	1	CYLINDERHEAD	
55	6150611	1	SPACER A2V/VA	
62	6105500	2	DISTANCE PIECE	
65	6105482	1	SUCTION COVER	
66	1801182	4	SPRING WASHER M8	
67	1803337	4	SCREW M8X25	
68	3000460	1	O-RING 11.0X2.0 NITRIL 70SH	
69	6105533	1	PLUG OIL OUTLET	
70	3601262	1	PRESSURE GAUGE 0-300 BAR	
71	6105563	1	WASHER FOR PRESSURE GAUGE	
72	1804590	4	INDEX SCREW	
73	6105523	1	VALVE PISTON F.BY-PASSE VALVE	
74	6150693	1	PISTON RING	
75	3001385	1	O-RING 32.1 1.6 NITRIL 90 SH	
76	6150642	1	BOTTOM SCREW	
77	1600311	1	BALL Ø4 STANL. KL3-4034 55-58	
80	6105487	1	VALVE COVER	A2KL
80	6105528	1	VALVE COVER	A2K
98	3000460	1	O-RING 11.0X2.0 NITRIL 70SH	A2K
99	6150675	1	SOCKET FOR QUICK COUPLING	A2K
102	1801075	1	PACKING RING 23.8X17.2X2 3/8 INCH St-NBR	
103	6101038	1	PISTON	
104	1600493	1	Nippel F. Q-COUP. 3/8 INCH	

# By-pass valve

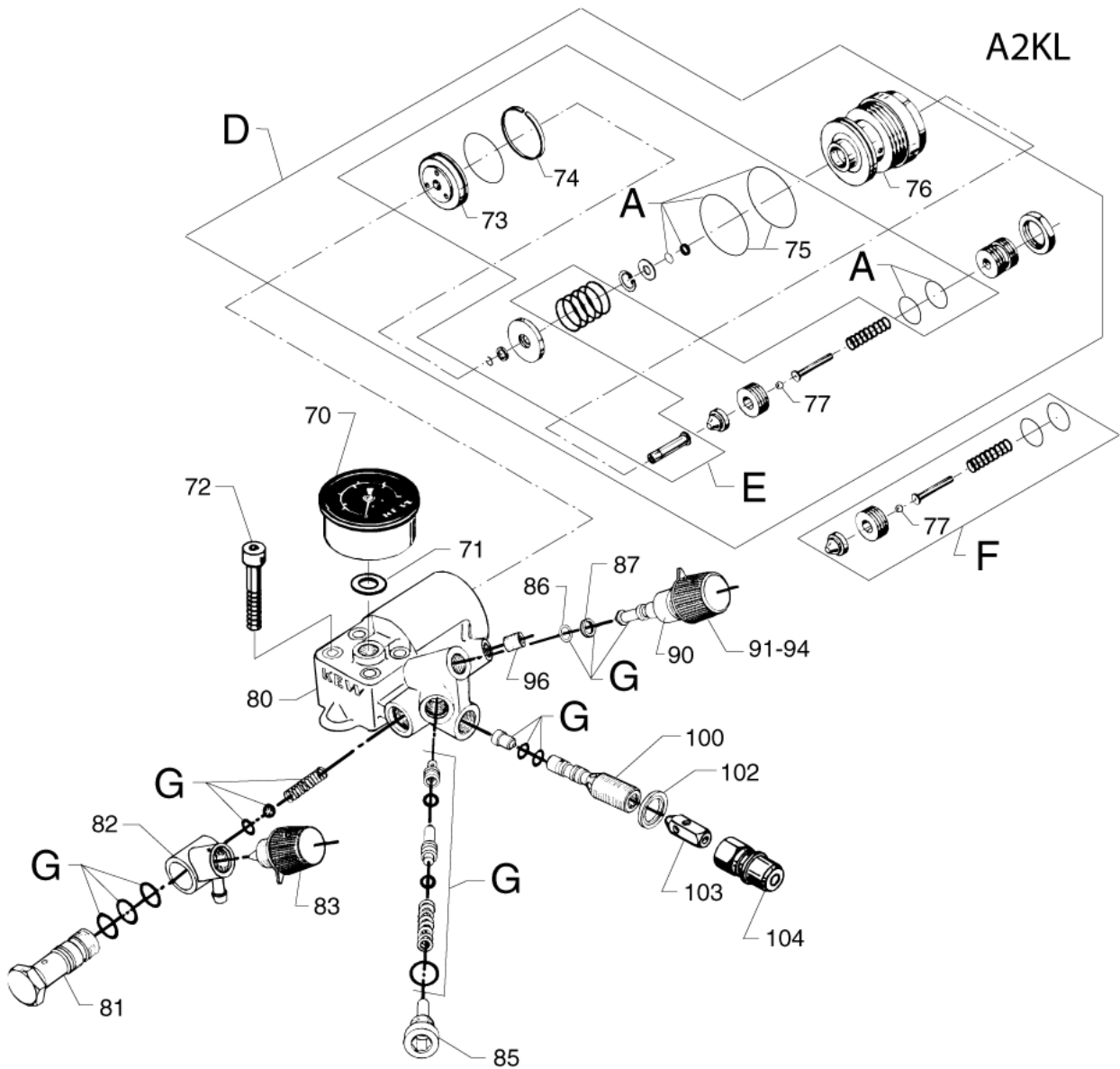
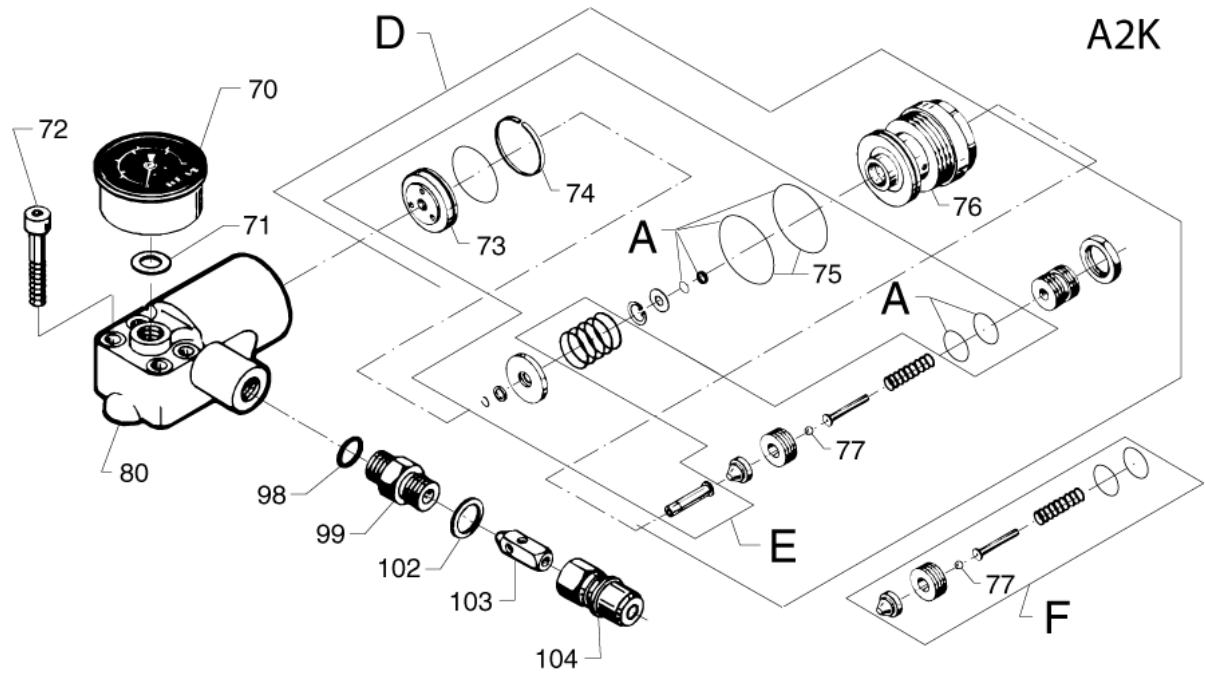
A2K/KL

11-02-2015

Part List ID

A2K10

11



# By-pass valve

A2K/KL

11-02-2015

Part List ID

A2K10

12

Pos	Part no.	Qty	Description	
D	1119101	1	BY-PASS VALVE A2V REP.KIT	
E	1119013	1	REPAIR KIT FOR BY-PASS VALVE	
F	1119038	1	REP KIT F. SAFETY VALVE	
G	1119012	1	REP KIT F. HEATING REGULATOR	A2KL
70	3601262	1	PRESSURE GAUGE 0-300 BAR	
71	6105563	1	WASHER FOR PRESSURE GAUGE	
72	1804590	4	INDEX SCREW	
73	6105523	1	VALVE PISTON F.BY-PASSE VALVE	
74	6150693	1	PISTON RING	
75	3001385	1	O-RING 32.1 1.6 NITRIL 90 SH	
76	6150642	1	BOTTOM SCREW	
77	1600311	1	BALL Ø4 STANL. KL3-4034 55-58	
80	6105487	1	VALVE COVER	A2KL
80	6105528	1	VALVE COVER	A2K
81	6105535	1	NON RETURN VALVE	A2KL
83	6105381	1	DOSING SPINDLE COMP.	A2KL
85	6400699	1	PLUG	A2KL
86	3001831	1	O-RING 4.6X2.4 NITRIL 70 SH	A2KL
87	3001849	1	SUPPORTING RING	A2KL
90	6105515	1	SPACER	A2KL
91	4000295	1	HANDLE	A2KL
92	1800143	1	PIN (1501270)3X20 DIN 1481	A2KL
93	4000311	1	INDICATOR F. HANDLE GREY	A2KL
94	2600104	1	SPRING	A2KL
96	1602333	1	PLUG G1/8 DIN906 CuZn	A2KL
98	3000460	1	O-RING 11.0X2.0 NITRIL 70SH	A2K
99	6150675	1	SOCKET FOR QUICK COUPLING	A2K
100	6400704	1	INJECTOR INSERT	A2KL
102	1801075	1	PACKING RING 23.8X17.2X2 3/8 INCH St-NBR	
103	6101038	1	PISTON	
104	1600493	1	Nippel F. Q-COUPL. 3/8 INCH	

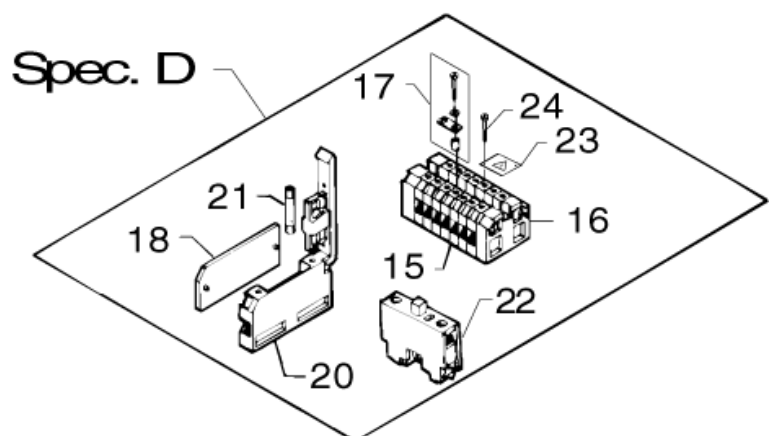
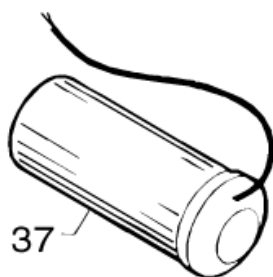
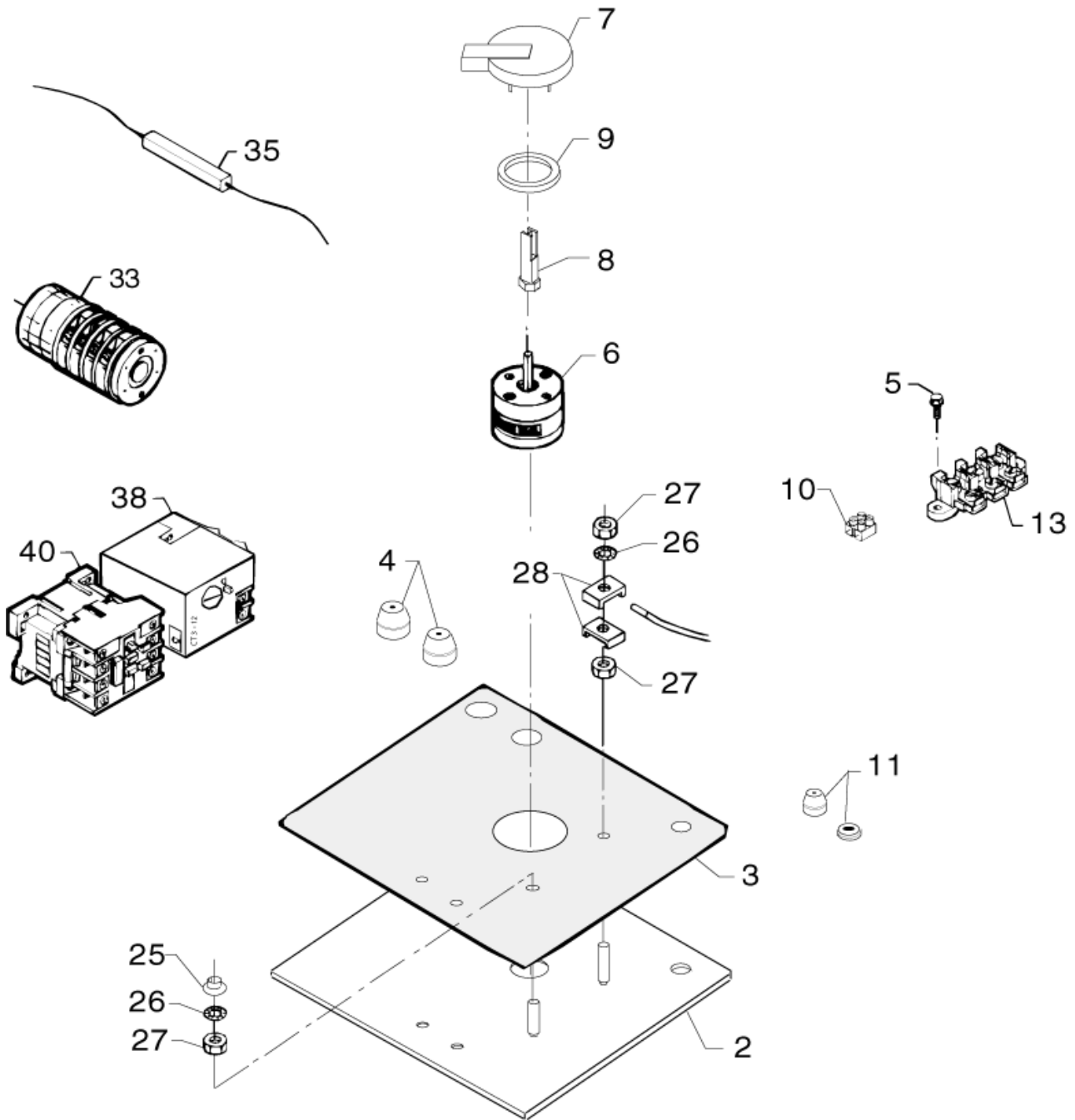
# Electrical components

A2K/KL

11-02-2015

Part List ID A2K12

13



# Electrical components

A2K/KL

11-02-2015

Part List ID

A2K12

14

Pos	Part no.	Qty	Description	
-	1721	1	PLUG	
-	6180260	1	EL-CABLE H07RN-F 4G 1.5	
-	6180261	1	EL. CABLE H07RN-F 3G 1.5	
4	3803780	2	GROMMET 10-14C	
5	1803956	2	TAPTITE SCREW M4X12 DIN7500 D	
6	3807567	1	START/STOP SWITCH CONTACT	
6	3807575	1	ELEKTRA SWITCH 16 TYPE B1	D
6	3808078	1	START/STOP SWITCH. SINGLE	CDN, B, SGP
7	4000360	1	ADJUSTMENT KNOB	
8	4000352	1	ADJUSTMENT PIECE	
9	3001922	1	U-SLEEVE	
10	3807872	1	CROWN SOCKET	
11	3803764	1	RUBBER SEAL TET 5-7C	
13	3803822	1	TERMINAL STRIP	A,DK
15	3800315	6	TERMINAL STRIP	D
16	3800323	1	CONNECTION BLOCK	D
17	3800349	1	BIPOLAR SPLICES. TERMINAL	D
18	3804416	1	END PLATE FOR FUSE HOLDER	D
20	3804333	2	FUSE HOLDER	D
21	3804341	2	FUSE 1 AMP. /5 X 25	D
22	3805280	1	AUXILIARY SWITCH	UP TO 31.12.99
22	3821738	1	AUXILIARY SWITCH	FROM 01.01.00
26	3376	2	SERRATED LOCK WASHER D5.3 A2 DIN 6798A	
27	2760	3	NUT M5 ISO 4032 ZN	
33	3805181	1	START/STOP SWITCH	Y/D
35	3806171	1	RESISTANTE 6 K-8.5PCT 11 W	B,SGP
37	301000415	1	CAPACITOR 80MICRONFOR 420V	1~
37	3804978	1	CAPACITOR 66 F. 400V DB Ø	1~
38	103822323	1	THERMAL RELAY 4-6AMP	
38	103822324	1	THERMAL RELAY 5.5-8AMP	
38	103822325	1	THERMAL RELAY 7-10AMP	
38	103822326	1	OVERC.RELAY JR28-25-1316.9-13A	
38	103822328	1	THERMAL RELAY 17-25AMP	
38	103822329	1	THERMAL RELAY 23-32AMP	
38	3806551	1	THERMAL RELAY ST3-16-11F	UP TO 31.12.99
38	3811627	1	THERMAL RELAY CT3-12	UP TO 31.12.99
40	103822303	1	CONTACTOR CJX2-D18 18A 400V 3P+NO	
40	103822304	1	CONTACTOR CJX2-D18 18A 230V 3P+NO	
40	103822309	1	CONTACTOR CJX2-D25 25A 230V 3P+NO	
40	103822311	1	CONTACTOR CJX2-D25-F7 110V	
40	3804150	1	CONTACTOR COMPL. CA3-23-10	