

UB 822

Model:
UB 822



Part List US-English

05-02-2015

Table of Contents

UB 822

SPARE PARTS LIST	3
SPARE PARTS LIST	5
SPARE PARTS LIST	7

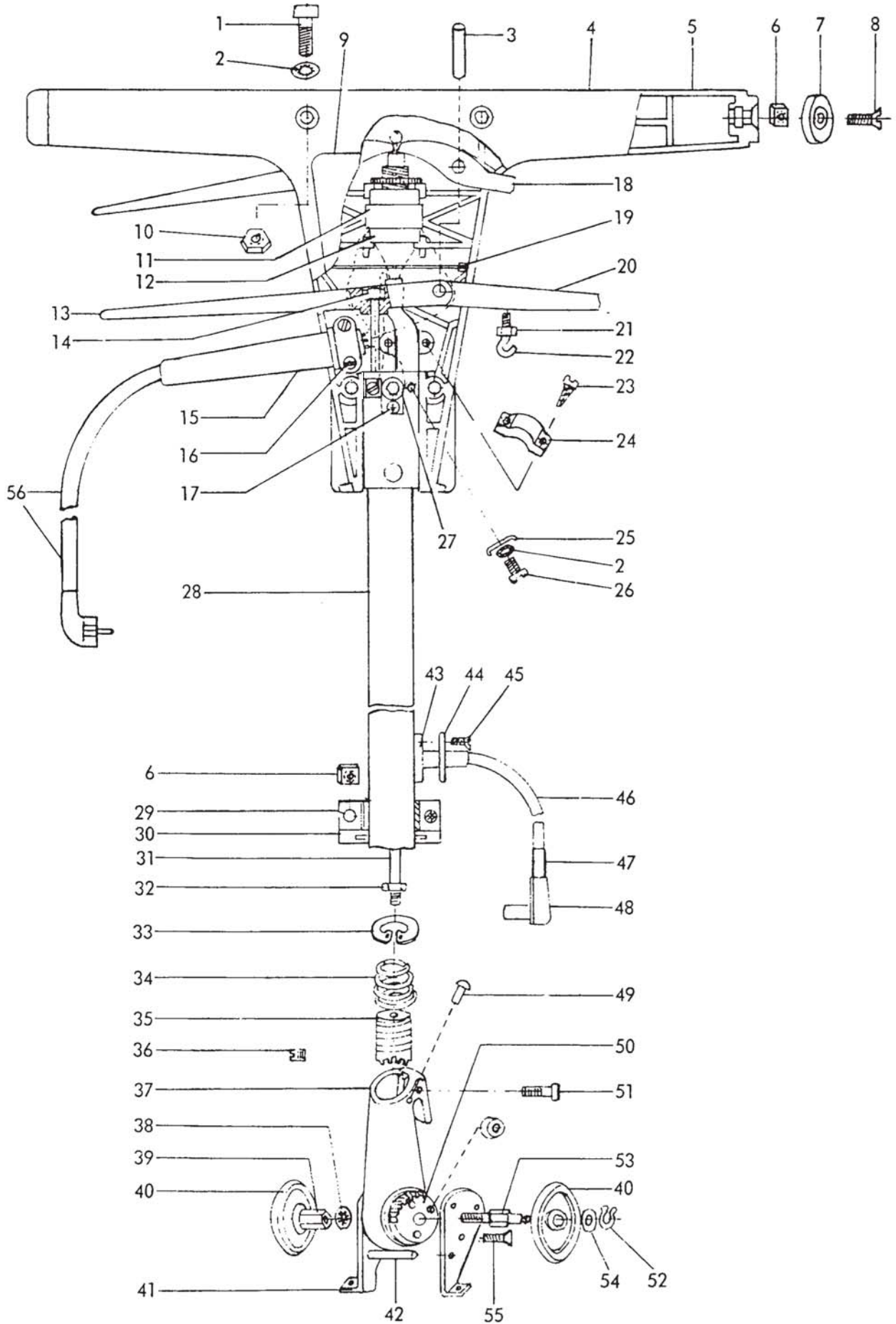
SPARE PARTS LIST

UB 822

05-02-2015

Part List ID
DX3911

3



SPARE PARTS LIST

UB 822

05-02-2015

Part List ID
LX3911

4

Pos	Part no.	Qty	Description
4	094 3823 000	1	COVER. UPPER PART
6	094 3836 000	1	NUT.
7	094 3840 000	1	END COVER Machine outphased 1999
8	723 5327 010	1	SCREW. FS 5X12. ZAP
12	094 3829 000	1	SWITCH
13	094 3828 000	1	LEVER.
20	094 3826 000	1	LEVER
21	731 2312 010	1	NUT. M6M 4 ZAP.
22	094 4290 000	1	RING SCREW M4X15
27	734 1153 010	1	WASHER 6.4X12 FZ
28	094 4379 000	1	TUBE
30	094 4395 000	1	CLAMP
32	731 2314 010	1	NUT M6M 5FZ
33	735 3121 100	1	RETAINING RING. SGH19
34	094 3851 000	1	SPRING
35	094 4378 000	1	ARRESTER
37	094 4384 000	1	TUBE HOLDER
38	735 2178 510	1	LOCKING WASHER 12.5
39	094 4389 000	1	WHEEL HANDLEBAR. SHORT
40	094 4390 000	1	WHEEL
41	094 4385 000	1	WHEEL SUPPORT
43	094 3872 000	1	CABLE PROTECTION
46	094 4380 000	1	CABLE. 1.3 M
47	094 4380 000	1	CABLE. 1.3 M
48	094 4380 000	1	CABLE. 1.3 M
50	094 4386 000	1	GEAR WHEEL
51	725 5335 010	1	SCREW. MC6S 6X25. ZAP
53	094 4388 000	1	SHAFT
54	094 4391 000	1	WASHER. 20X12.2X1
56	140 0493 000	1	MAIN CORD

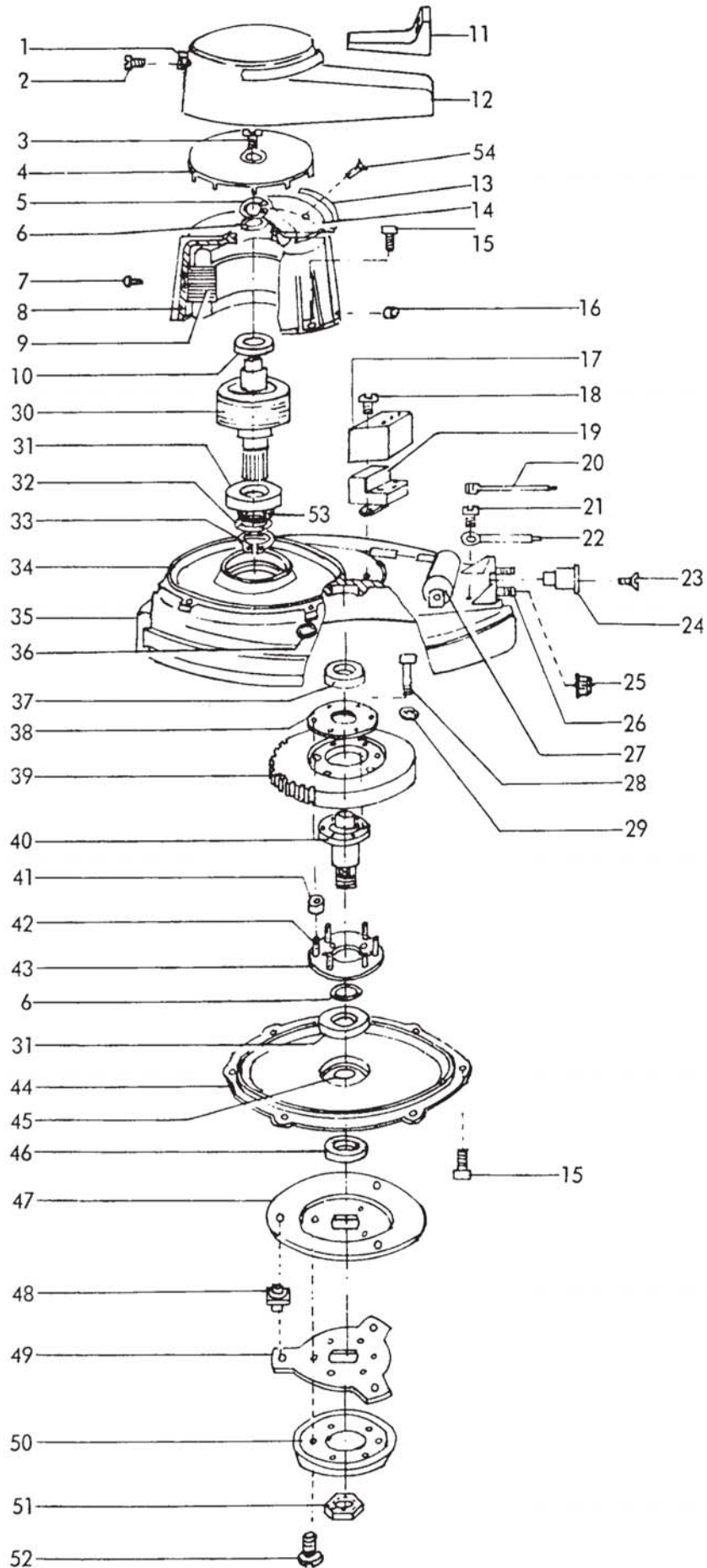
SPARE PARTS LIST

UB 822

05-02-2015

Part List ID
DX3912

5



SPARE PARTS LIST

UB 822

05-02-2015

Part List ID

LX3912

6

Pos	Part no.	Qty	Description
1	094 4359 000	1	PROTECTION STRIP
2	723 1325 010	1	SCREW. MCS 5X10. ZAP
3	094 4358 000	1	SCREW. M6X12. LEFT-HANDED
4	094 4356 000	1	FAN
5	735 3128 100	1	RETAINING RING. SGH28
6	094 3797 000	1	WASHER
7	094 4366 000	1	RIVET 3X10
10	094 4334 000	1	BALL BEARING 6001 2 RS
17	094 4370 000	1	COVER
18	723 1284 010	1	SCREW. MCS 4X5. ZAP
19	094 4348 000	1	RELAY
20	094 4371 000	1	CABLE
21	094 4365 000	1	SCREW. M4X5
27	094 4362 000	1	CONDENSER
30	094 4346 000	1	ROTOR WITH SHAFT
31	094 4357 000	1	BALL BEARING 6004 2 RS
32	094 4360 000	1	BALL BEARING WASHER
33	735 3122 000	1	RETAINING RING. SGA20
35	094 4344 000	1	PROTECTION STRIP
37	094 4355 000	1	BALL BEARING 6202
38	094 4367 000	1	WASHER
39	094 4350 000	1	GEAR WHEEL
45	094 4376 000	1	SEALING RING
46	094 4354 000	1	SPACER
47	094 4352 000	1	WASHER
49	094 4333 000	1	SEGMENT PAD
51	094 4361 000	1	NUT M 14X1
52	723 1323 010	1	SCREW. MCS 5X8. ZAP

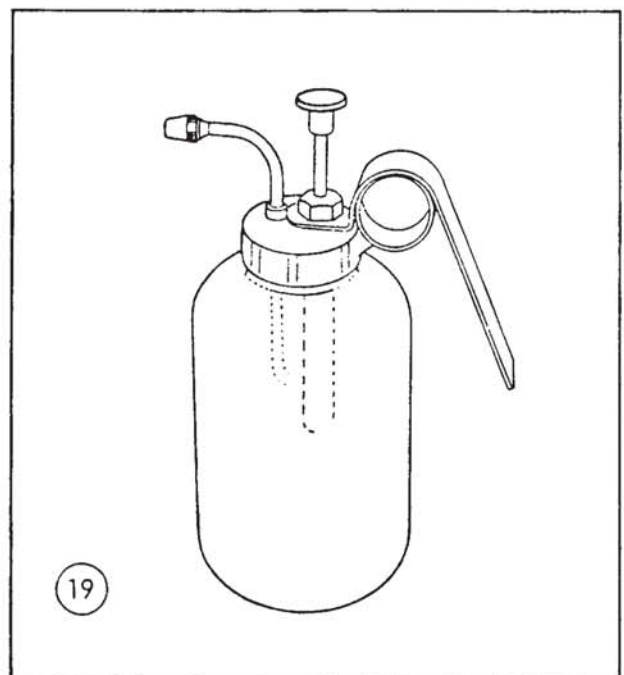
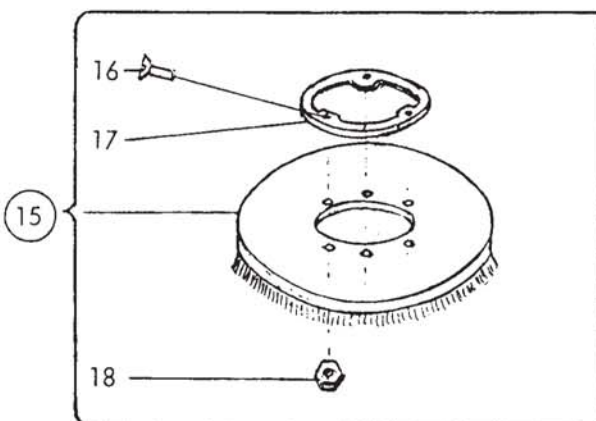
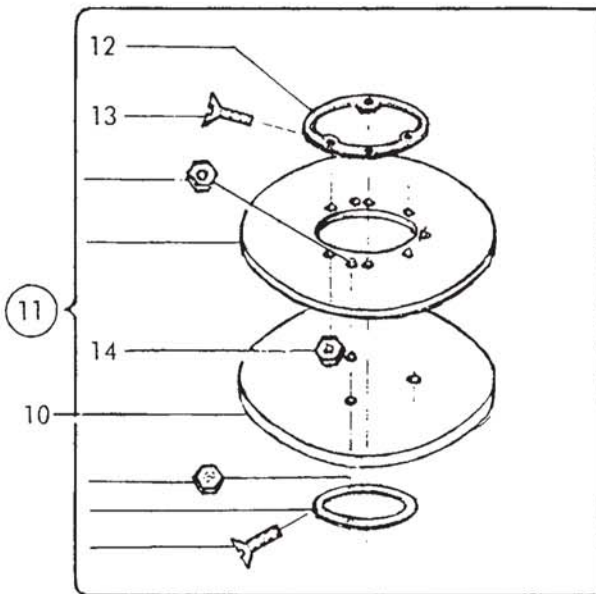
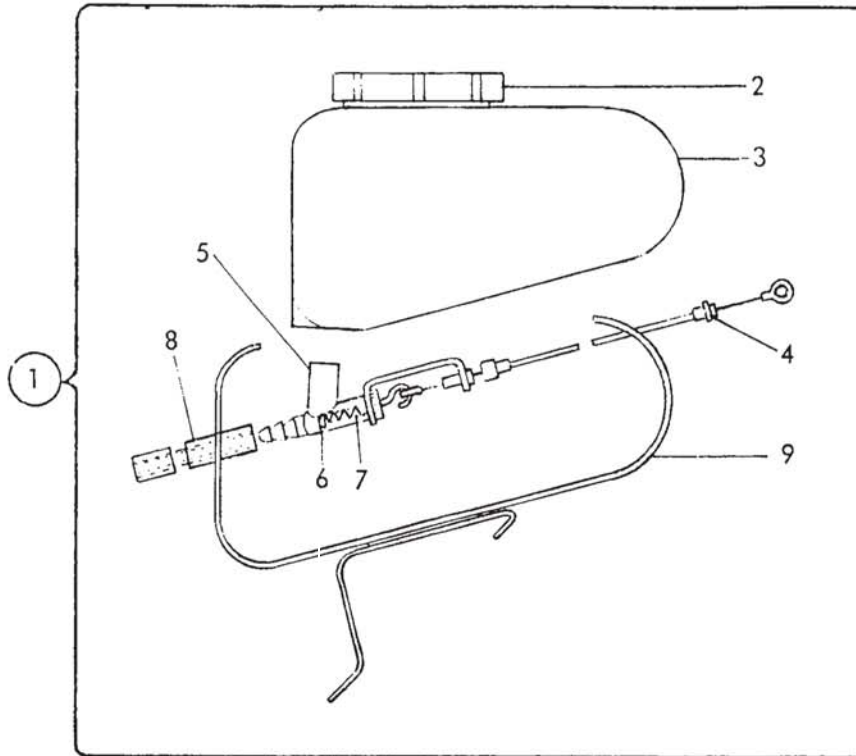
SPARE PARTS LIST

UB 822

05-02-2015

Part List ID
DX3913

7



SPARE PARTS LIST

UB 822

05-02-2015

Part List ID

LX3913

8

Pos	Part no.	Qty	Description
1	140 0487 000	1	TANK CPL
2	094 4310 000	1	CAP
3	094 4604 000	1	TANK
4	094 4605 000	1	BOWDEN CABLE
5	094 4606 000	1	VALVE CPL.
6	094 4318 000	1	SEAL RING.
7	094 4316 000	1	SPRING
9	094 4607 000	1	TANK HOLDER
10	10001911	1	PAD 13 330MM ECO BLUE 5PCS
10	10001912	1	PAD 13 330MM ECO BROWN 5PCS
10	10001914	1	PAD 13 330MM ECO RED 5PCS
10	10001915	1	PAD 13 330MM ECO WHITE 5PCS
11	140 0485 000	1	PAD HOLDER UB 822.
13	723 5327 010	1	SCREW. FS 5X12. ZAP
14	731 2314 010	1	NUT M6M 5FZ
15	140 0484 010	1	BRUSH PPN UB 822
15	140 0484 020	1	BRUSH PERLON UB 822
16	723 5327 010	1	SCREW. FS 5X12. ZAP
18	731 2314 010	1	NUT M6M 5FZ