

# GS/GM 90 series

---

Model:

GD 90 C

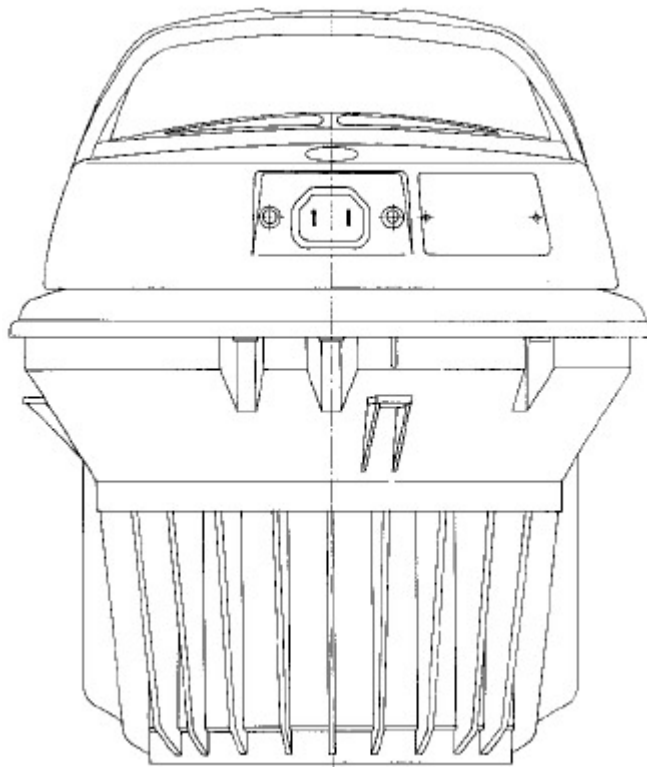
GM 90

GM 90 P

GS 90

GS 90 C

GS 90 P



Stückliste Deutsch

26-02-2015

# Nilfisk

[www.nilfisk.com](http://www.nilfisk.com)

# Inhalt

GS/GM 90 series

<b>Wiring Motor head with one pole switch 1</b>	<b>3</b>
<b>Wiring Motor head with two pole switch 2</b>	<b>5</b>
<b>Wiring Motor head with two pole switch and ground</b>	<b>7</b>
<b>Motorkopf, alle Modelle</b>	<b>9</b>
<b>MOTOR SERVICE-KIT, GS/GM 90P COMMERCIAL</b>	<b>11</b>
<b>MOTORKOPF SERVICE-KIT, GS/GM 90P COMMERCIAL</b>	<b>13</b>
<b>ABLUFTFILTER UND SCHALLDÄMPFER</b>	<b>15</b>
<b>MOTORKOPF SERVICE-KIT, GS/GM 90P COMMERCIAL</b>	<b>17</b>
<b>BEHÄLTER SERVICE-KIT, GS/GM 90P COMMERCIAL</b>	<b>19</b>
<b>Schläuche und Rohre 32 mm</b>	<b>21</b>
<b>DÜSEN 32 MM</b>	<b>23</b>

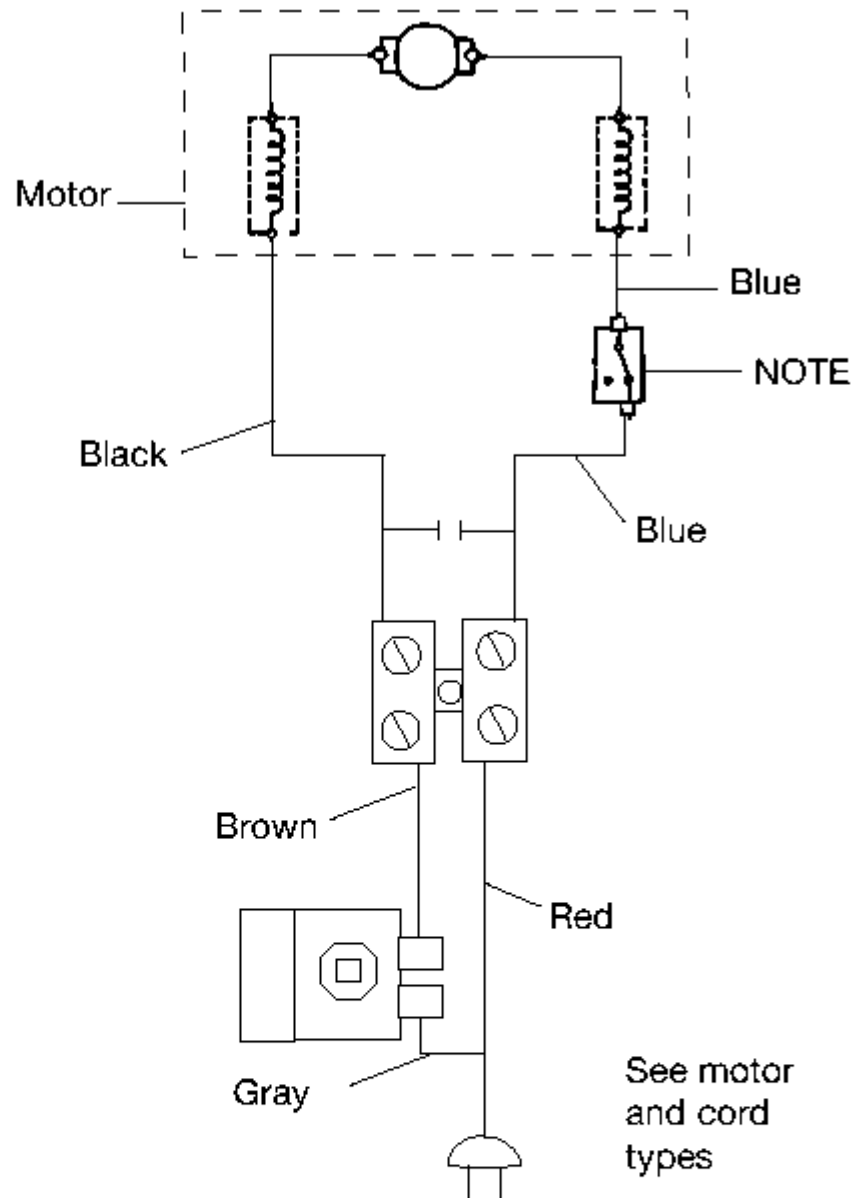
# Wiring Motor head with one pole switch 1

GS/GM 90 series

26-02-2015

ET-Liste-Nr. B3921


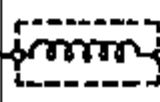
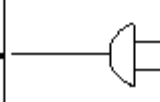
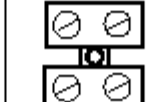
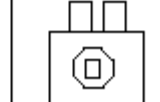
3



## Note:

Thermo switch only on UL approved motor head.

## Symbol explanation

				
Armature	Field coil	Cord	Terminal block	Single pole switch

# Wiring Motor head with one pole switch 1

GS/GM 90 series

26-02-2015

ET-Liste-Nr.

B3921

4

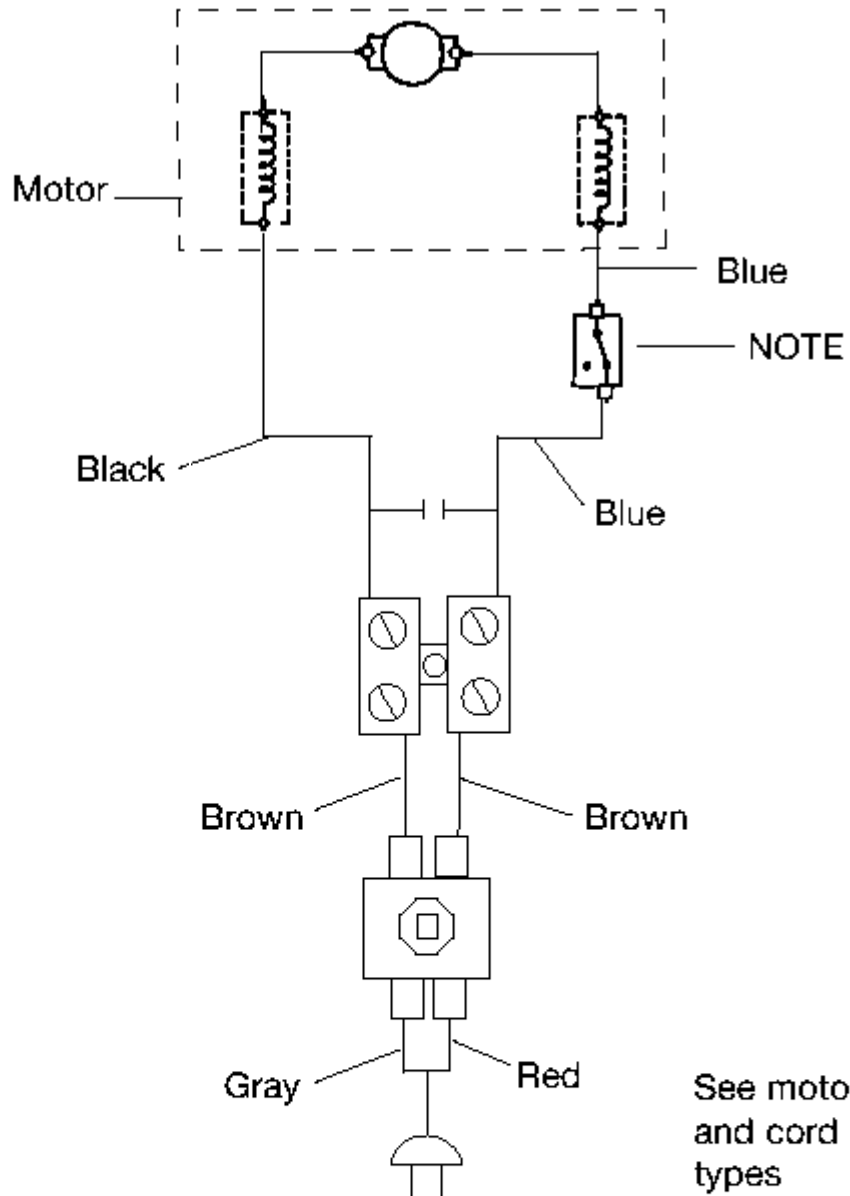
# Wiring Motor head with two pole switch 2

GS/GM 90 series

26-02-2015


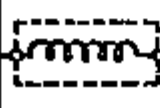
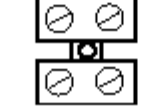
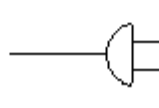

ET-Liste-Nr. B3923

5



## Note:

Thermo switch only on UL approved motor head.

Symbol explanation				
				
Armature	Field coil	Terminal block	Cord	Double pole switch

# Wiring Motor head with two pole switch 2

GS/GM 90 series

26-02-2015

ET-Liste-Nr. B3923

6



# Wiring Motor head with two pole switch and gr

GS/GM 90 series

26-02-2015

ET-Liste-Nr.

B3925

8



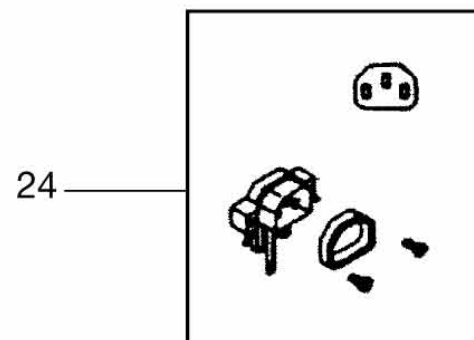
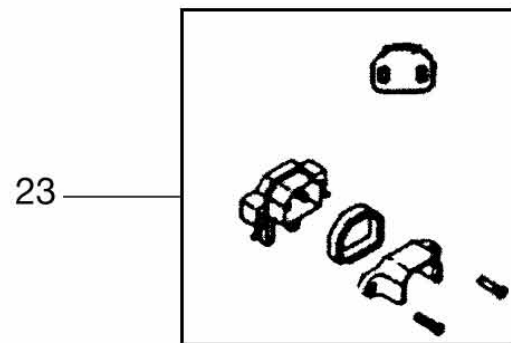
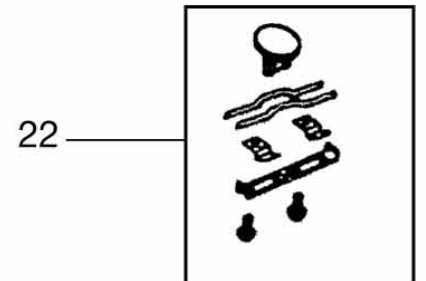
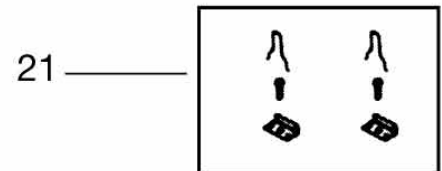
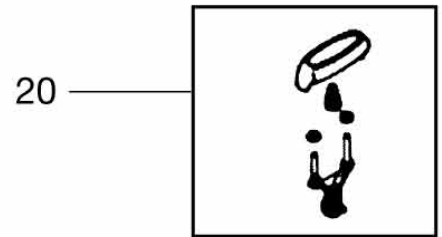
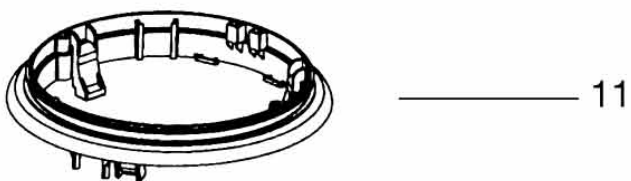
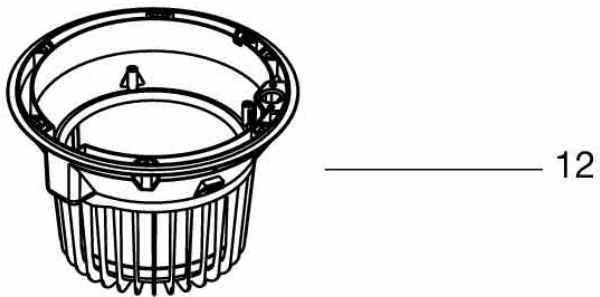
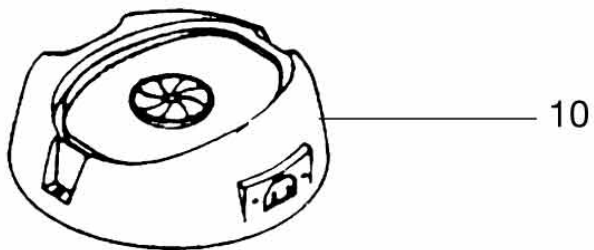
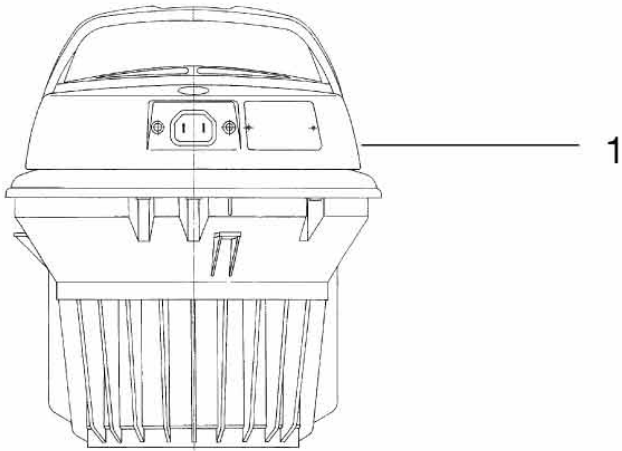
# Motorkopf, alle Modelle

GS/GM 90 series

26-02-2015

ET-Liste-Nr. B3933

9



# Motorkopf, alle Modelle

GS/GM 90 series

26-02-2015

ET-Liste-Nr. B3933

10

Pos	Artikelnr.	Me	Beschreibung
1	12108127	1	MOTOR GSP 100V JAPAN
1	12108129	1	Motor GSP 110-120V USA
1	12108148	1	MOTOR GSP 200V JAPAN
1	12108153	1	Motor GSP 220-240V/800W
1	12108253	1	MOTOR GSP M.F.LEDN.EU/AUS
1	12108329	1	Motor GSPJ, 110-120V.UL
1	12108348	1	MOTOR GSPJ 200V JAPAN
1	12108353	1	Motor GSPJ 220-240 V AUS
1	12110127	1	MOTOR GMP 100V JAPAN
1	12110129	1	Motor GMP 110-120V
1	12110327	1	MOTOR GMPJ 100V JAPAN
1	12110329	1	Motor GMP J 110-120 V UL
1	12112153	1	MOTOR GMP 220-240V EU/AU/
1	12112253	1	Motor GMP, 1200W., 230V.
1	12112353	1	Motor GMPJ 1200W 3ph 240V
10	22232300	1	Deckel Motor GSP/GMP/KS
11	22232500	1	Motorzwischenring f. GS/
12	22231200	1	Standkorb f. Motor GS/GM
12	22231201	1	BOTTOM HOUSING WITH WALVE
20	22410500	1	Ein- Aus Schalter GM 80
21	22410400	1	Handle Kit
22	20705300	1	Thermoventilkit f.
23	20705400	1	Steckbuchsenkit
24	20705500	1	SOCKET EARTHED W. PARTS

# MOTOR SERVICE-KIT, GS/GM 90P COMMERC

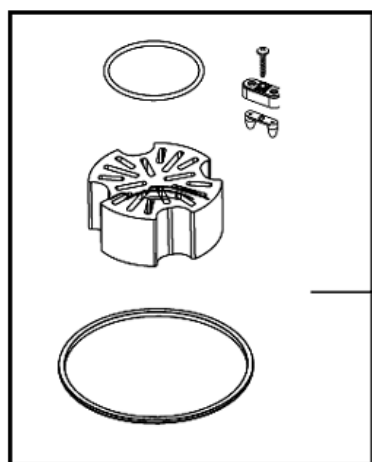
GS/GM 90 series

26-02-2015

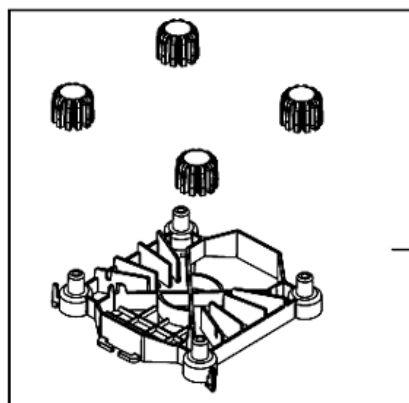
ET-Liste-Nr.

B3935

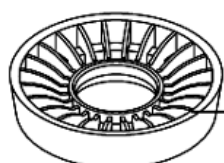
11



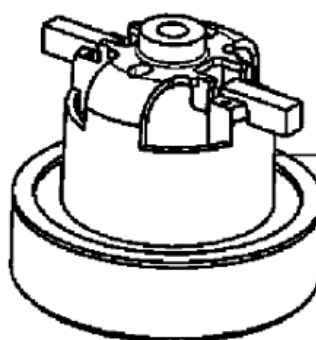
11



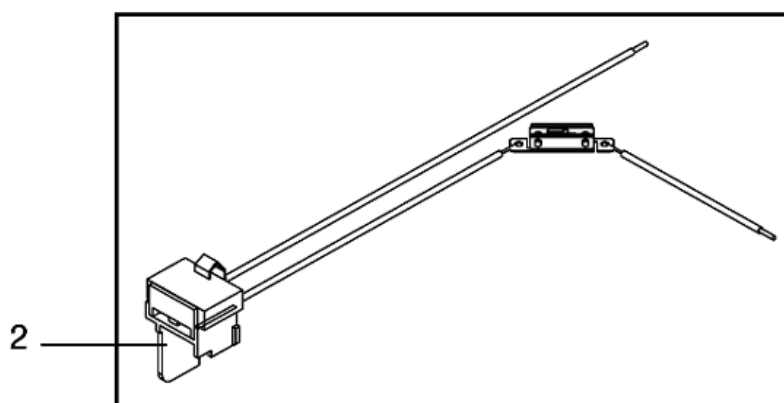
10



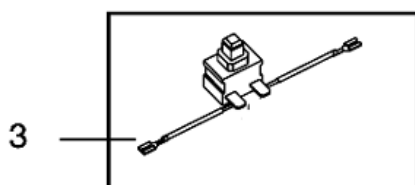
12



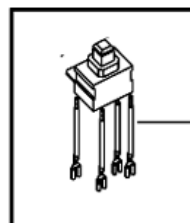
1



2



3



4

# MOTOR SERVICE-KIT, GS/GM 90P COMMERC

GS/GM 90 series

26-02-2015

ET-Liste-Nr.

B3935

12

Pos	Artikelnr.	Me	Beschreibung
1	12125001	1	Motoreinsatz 800W (GSP/GD)
1	12125002	1	Motoreinsatz 220-240V 800W
1	12125003	1	MOTOR 110-120V AMETEK
1	12125005	1	Motoreinsatz GMP 240V/1200 W
2	22130500	1	Kabelkit f. GSP/GMP
2	22130501	1	Kabelkit m. Thermoschalter
3	22131100	1	Schalter Set GS-Motoren2-Polig
4	22131200	1	Schalter Set GM-Motoren4-Polig
10	107401268	1	Motorkit
10	22231100	1	Motorschalldämpfer GD1005
11	22365300	1	Schalldämpfer u. Dichtung zu GS/GM Motor
12	22399800	1	GASKET FOR INLET for old motor type outph. 2001

# MOTORKOPF SERVICE-KIT, GS/GM 90P COMME

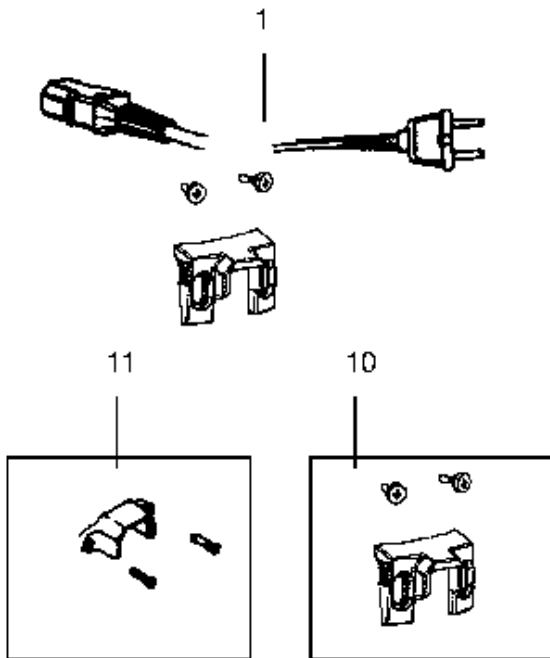
GS/GM 90 series

26-02-2015

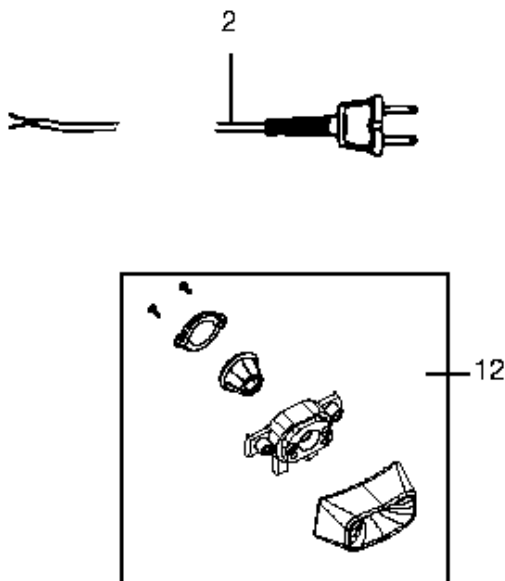
ET-Liste-Nr.

B3937

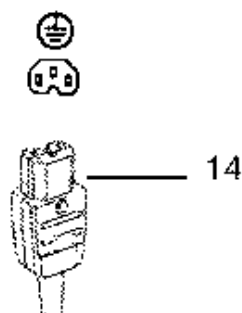
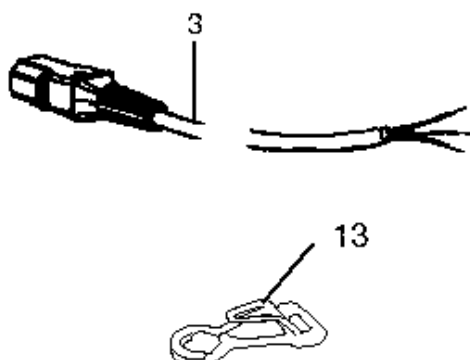
13



Cord with plug/socket for bracket, item 10 or 11, for GM 80-90 series			
	Rating	Plug type	
EU	250		
UK	250		
AUS/NZ	250		
CH	250		
USA/CAN	120		
USA/CAN Grounded	120		
Italy Institutional	250		



Fixed cord for GD 90C only			
	Voltage	Plug type	
EU	250		
UK	250		
AUS/NZ	250		
CH	250		
USA/CAN	120		
Italy	250		



# MOTORKOPF SERVICE-KIT, GS/GM 90P COMME

GS/GM 90 series

26-02-2015

ET-Liste-Nr.

B3937

14

Pos	Artikelnr.	Me	Beschreibung
1	107408837	1	CORD SET 9.3M 3x1.25 JP PLUG NILFISK CO
1	21545900	1	Kabel 10m, kpl. m.Klammer
1	21548000	1	Kabel 7m, EU
1	21584900	1	Kabel 30m, kpl. m.Klammer
1	21746500	1	Kabel 7m 2 x 1,5 / UK
1	21746600	1	10M CORD 2X1.0 CON./UK
1	21905400	1	7M CORD 2X1.0 CON./AUSANDNZ
1	21905600	1	10M CORD 2X1.0 CON/AUSANDNZ
1	21907800	1	10M CORD 2X1.0 CON./CH
1	21907900	1	7M CORD 2X1.0 CON./CH
1	21952200	1	Kabel 9,3m / US
2	12141200	1	WIRE SET FOR GMPC MOTOR UK
3	21545400	1	7M CORD 2X1.0 CON./NOPLUG
3	21545700	1	10M CORD 3X1.0 CON/NO PLUG
3	21547900	1	10M CORD 2X1.0 CON/NOPLUG
10	22361000	1	Kabelsicherung zuGM-GS Motoren
11	22131600	1	Kabelklammer-Set -GS/GM-
12	12141800	1	MAINS CABLE HOLDER GMPC
14	L00191024	1	PLUG FOR CABLE FOR GS

# ABLUFFTFILTER UND SCHALLDÄMPFER

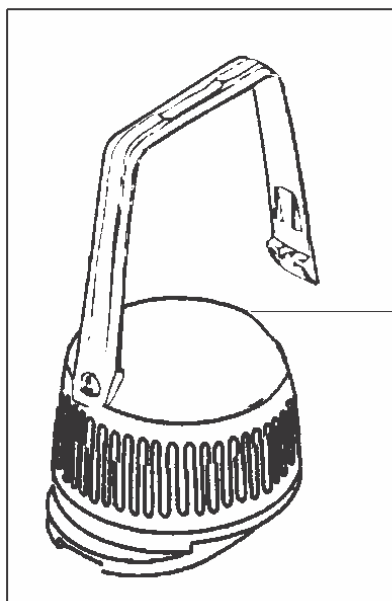
GS/GM 90 series

26-02-2015

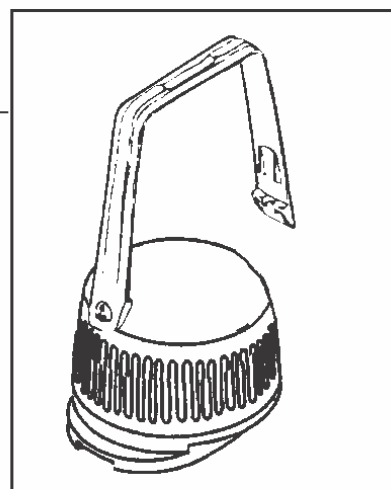
ET-Liste-Nr.

B3939

15

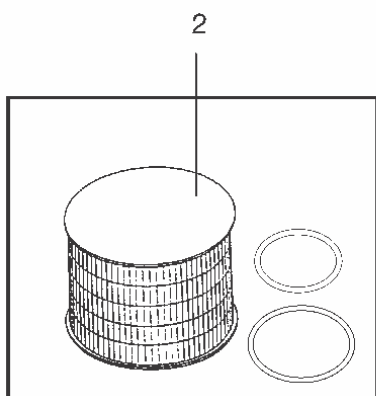
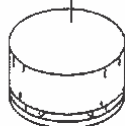


1

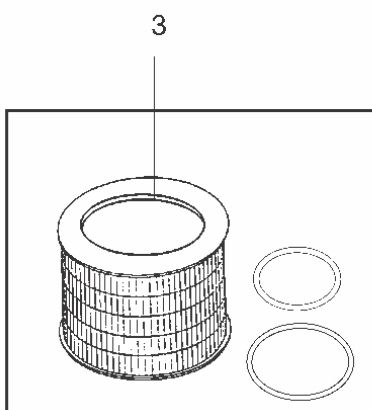


4

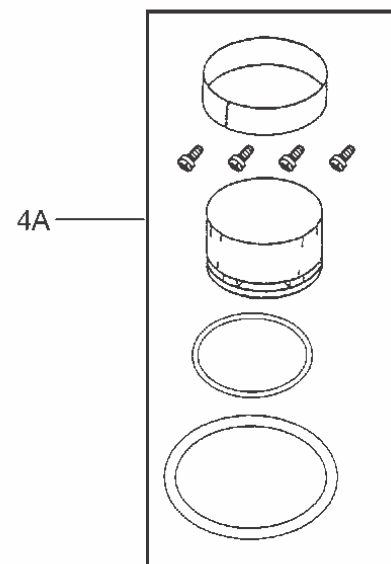
4B



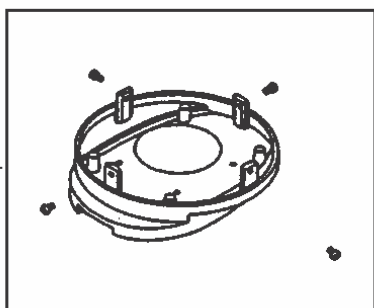
2



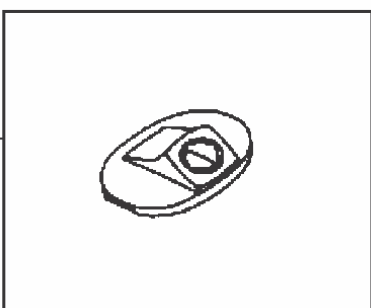
3



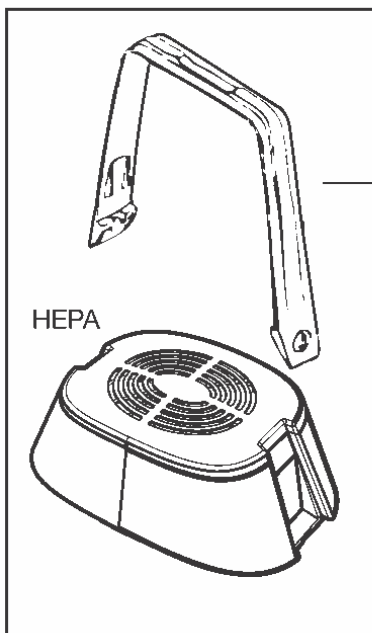
4A



9

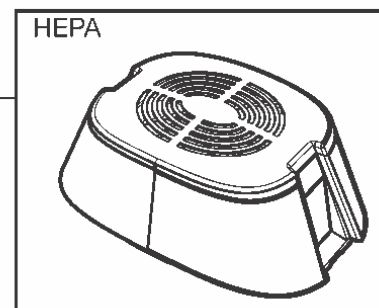


5



6

HEPA



7

HEPA

# ABLUFFTFILTER UND SCHALLDÄMPFER

GS/GM 90 series

26-02-2015

ET-Liste-Nr.

B3939

16

Pos	Artikelnr.	Me	Beschreibung
1	11731003	1	Abluftfiltergehäuse 32 mm zu HEPA/ULPA o.
2	21738000	1	Absolutfilterpatrone GS/GM
3	21739000	1	ULPA-Filter38/50
4	11750703	1	Schalldämpfer GS/GM
5	11562000	1	Blasaufsatz GS/GM38 mm
6	82146700	1	HEPA-Filter Starter Kit
7	82147100	1	HEPA-Filterpatrone GS/GM zu 82146700 zu P
9	22383900	1	Basis für FiltergehäuseGM
4A	11750703	1	Schalldämpfer GS/GM
4B	21750900	1	LYDELEMENT KOMPL.



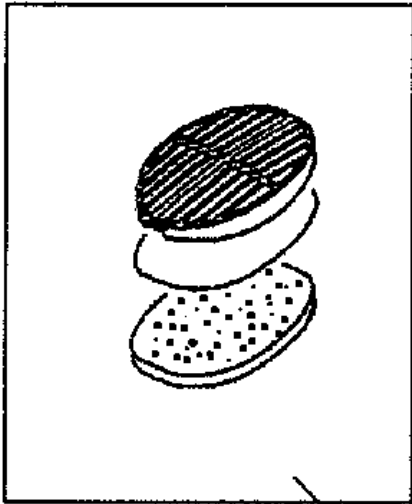
# MOTORKOPF SERVICE-KIT, GS/GM 90P COMME

GS/GM 90 series

26-02-2015

ET-Liste-Nr. B39311

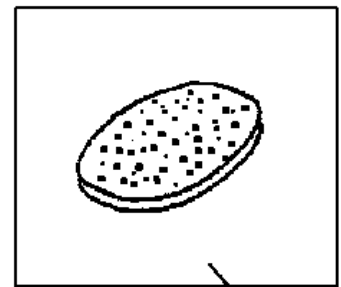
17



1



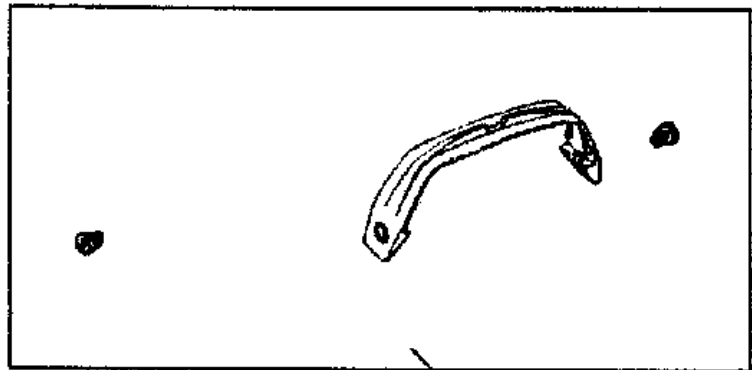
2



10



4



5

# MOTORKOPF SERVICE-KIT, GS/GM 90P COMME

GS/GM 90 series

26-02-2015

ET-Liste-Nr.

B39311

18

Pos	Artikelnr.	Me	Beschreibung
1	21573001	1	Luftverteiler kompl.GS/GM 32 mm
2	11693700	1	Abluftfilter (2 Stk.)blau
4	11730410	1	Filter-MotorschutzPolyester
5	22132000	1	Motortraggriff-Kit GS/GM
5	81527801	1	Schlosszapfen GS/GMTraggriff FOR FIXING THE HANDLE
10	82135800	1	Schaumgummi Ausblas32 mm/GS

# BEHÄLTER SERVICE-KIT, GS/GM 90P COMMEF

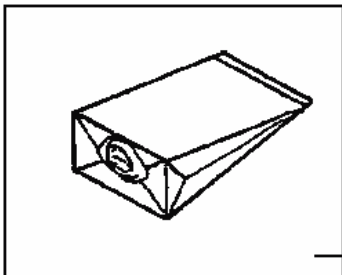
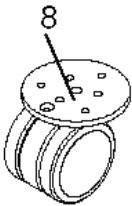
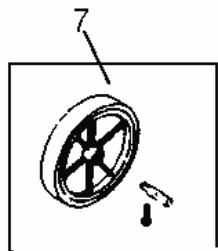
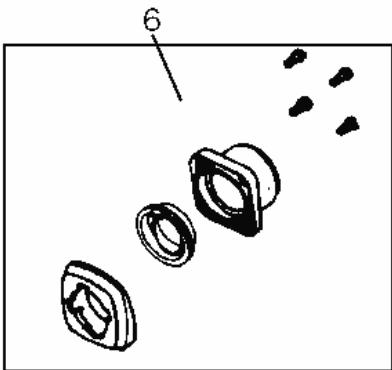
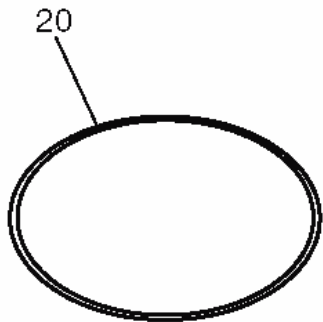
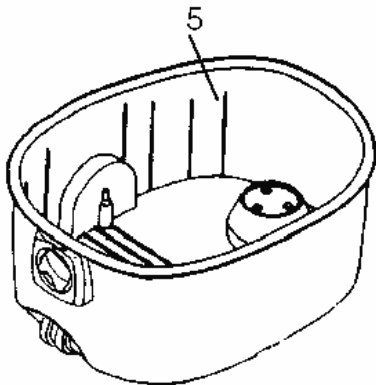
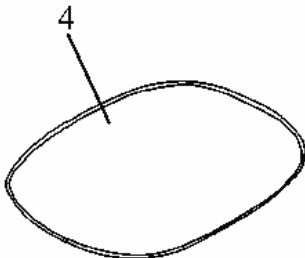
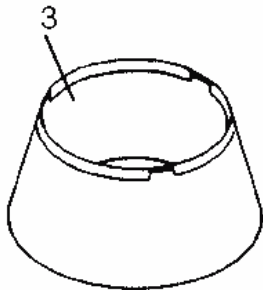
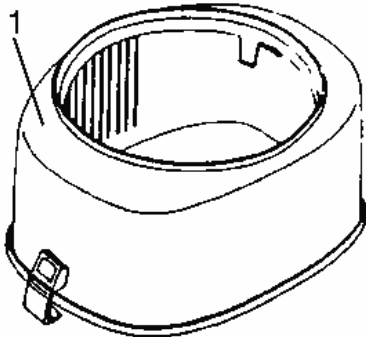
26-02-2015

GS/GM 90 series

ET-Liste-Nr.

B39313

19



# BEHÄLTER SERVICE-KIT, GS/GM 90P COMMER

GS/GM 90 series

26-02-2015

ET-Liste-Nr.

B39313

20

Pos	Artikelnr.	Me	Beschreibung
0	81718001	1	CARTON
1	22142000	1	UPPER CONTAINER GD90C
2	22142100	1	Kesselklammern GM 90 2Stk
3	61588200	1	Baumwoll-Filter GS/GM 9032mm komplet
4	81991300	1	Filter BW/GS 90C
5	22142200	1	Kessel-Unterteil GS90(Dunkelgrau)
6	22142300	1	Bajonet kompl. zu GM80
7	12009300	1	Rad-Achse GS 90
8	147 1040 500	1	Drehrad kompl. zuExtreme/GM 430 includes 3 screws
13	81620000	1	Staubbeutel GM/GS 80-90IVT 1000 9.25 l,
20	82190600	1	Motordichtung

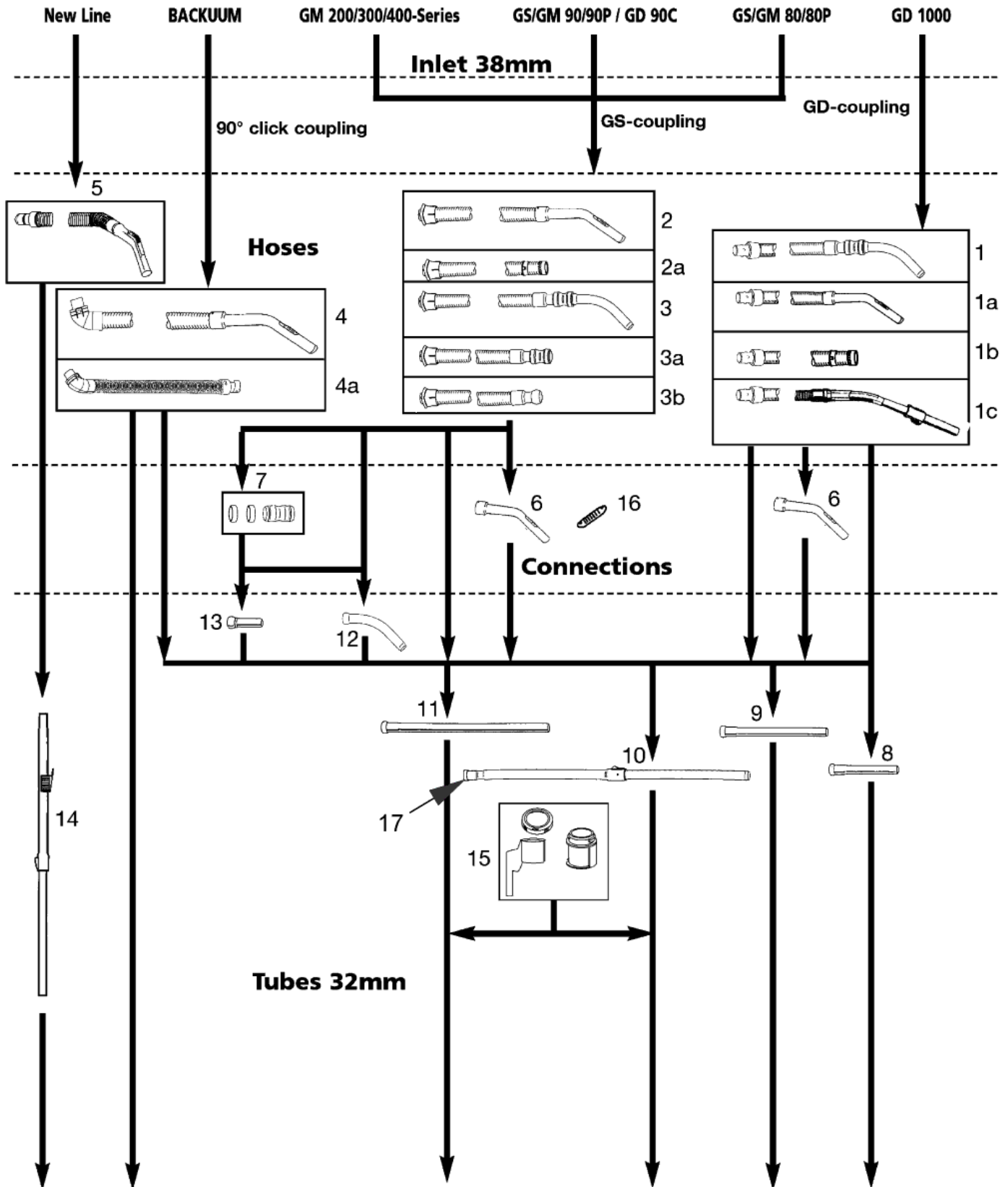
# Schläuche und Rohre 32 mm

GS/GM 90 series

26-02-2015

ET-Liste-Nr. B39315

21



See  
New-  
Line  
nozzles

See  
nozzles  
for  
32mm

# Schläuche und Rohre 32 mm

GS/GM 90 series

26-02-2015

ET-Liste-Nr. B39315

22

Pos	Artikelnr.	Me	Beschreibung
2	12041500	1	Schlauch PVC Baj. mitRohrbogen PVC
3	11543700	1	HOSE 32/38/2M RUBB BALL-B
3	11717000	1	Schlauch gummi mit Baj. +Metallbogenr./2
3	12097500	1	Schlauch PVC/ Baj. metallRohrbogen32/200
6	21640503	1	Rohrbogen PVC / 32mm
7	22344400	1	Muffe-Kit 32mm
7	22344600	1	Verbindungs-muffenkit 32mm
8	11182500	1	Verlängerung 32/200
9	11112401	1	Stahlrohr gerade32/560
10	81906500	1	TUBE TELESC.LENGTH MAX 1130 MM
11	11262400	1	Rohr Alu 32/1000
12	107402630	1	Anschlussstück D32, ge-
13	11141900	1	Rohr metall gerade m.Kuge32/140
14	22190400	1	TELESCOPIC PIPE COMPL. NEWLINE
15	22147600	1	PARKERINGSKLIPS KOMPL.
16	22351000	1	Luftventil (5 Stück)
17	81192100	1	Rohrring 32 mm 3 Nocken
17	81948300	1	Rohrring für Teleskoprohr
2A	22041400	1	Kon.Plastikschl.o.Rohr
3A	11543600	1	Schlauch 2 m / 32 mmverstärkt
3A	12097600	1	HOSE 38/32MM 2M PLASTIC
3B	22097400	1	Schlauch KS Bay o-Kugel

# DÜSEN 32 MM

GS/GM 90 series

26-02-2015

ET-Liste-Nr. B39317

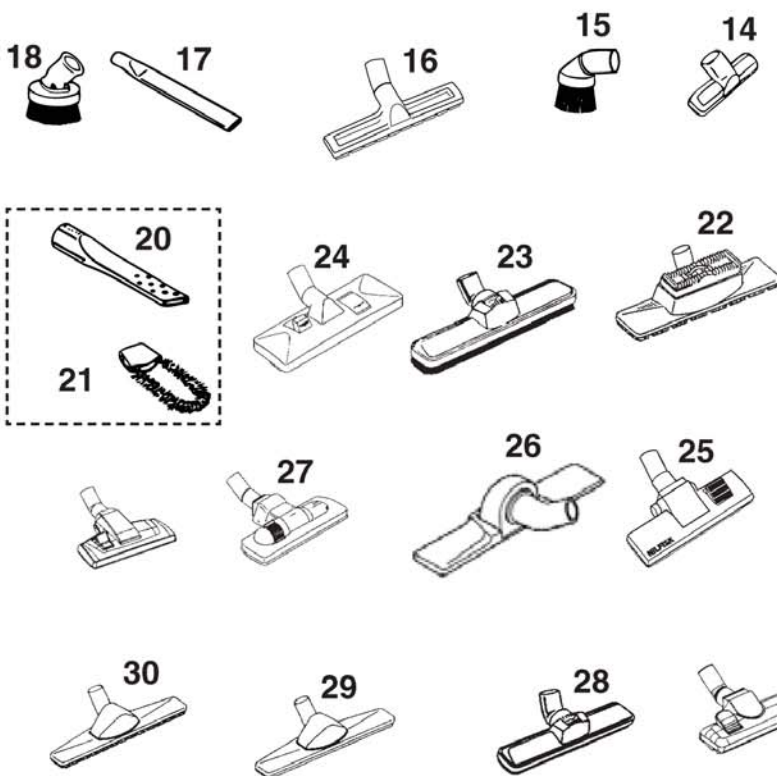
23

See hose connection diagram for 38mm hoses

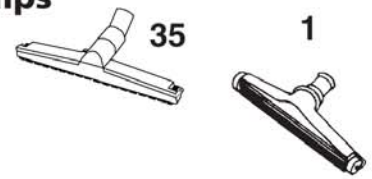
32

See hose connection diagram for Tapered 38/32mm and 32mm

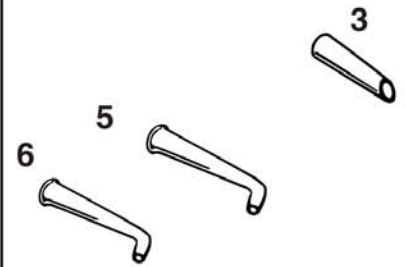
## Brushes & nozzles



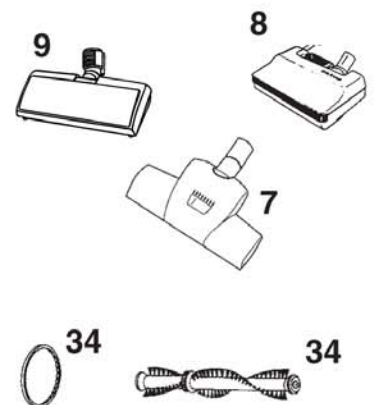
## Aluminium nozzle with adjustable lips



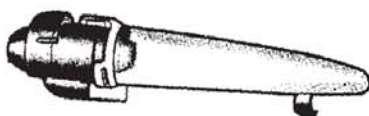
## Flexible nozzles



## Special nozzle



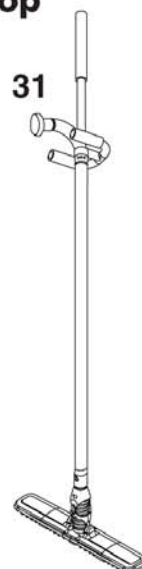
## Pre-serarators 36



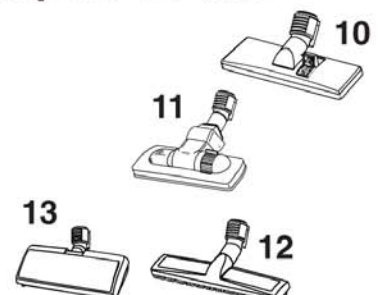
## Pelican 33



## NilfiskMop



## Nozzles with parking clip for GD 1000



# DÜSEN 32 MM

GS/GM 90 series

26-02-2015

ET-Liste-Nr. B39317

24

Pos	Artikelnr.	Me	Beschreibung	
1	11505100	1	NOZZLE WITH WHEELS D32 MM.400	Machine outphased 1999
1	82366900	1	Rollendüse 32 / 370 mm	
3	81140900	1	CREVICE NOZZLE KIT	
3	81141103	1	Silikonspitzdüse gebogen32-240mm	
4	81141101	1	DÜSE FLEXIBLE 240MM INLET 32MM RUB 65	
5	81141101	1	DÜSE FLEXIBLE 240MM INLET 32MM RUB 65	
6	81932600	1	Gummidüse schwarz 240 mmD = 32, antistat	
7	22360000	1	Turbodüse sz / 32mm	
8	22360000	1	Turbodüse sz / 32mm	
9	147 0822 000	1	Kabel f. ESB	Only cable
9	22203000	1	Elektrobürste GD 5/10	
14	22302300	1	FURNITURE NOZZLE	
14	32043700	1	Polsterdüse mit Einsatz 32/120	
15	11276901	1	Pinselbürste drehbar32/70	
15	22103600	1	Pinselbürste drehbar 32blaue Borsten	
15	22302500	1	ROUND BRUSH	
17	81141200	1	Ritzendüse Fiber32/360	
18	11276901	1	Pinselbürste drehbar32/70	
19	11140300	1	BRUSH OVAL 32MM 150MM	
20	81530400	1	Fugendüse gelocht PVC32-250mm	
21	11530500	1	RADIATORBØRSTE	
22	22359800	1	Kombidüse sz / 32mm	
23	11426700	1	Bodenbürste 32/280	
24	11980300	1	Kombidüse 2stufig27cm	
24	22412900	1	NOZZLE COMBI BLACK	
26	L00396347	1	FRENCH FLOOR NOZZLE HARD	
26	L00396348	1	FRENCH FLOOR NOZZLE SOFT	
26	L00396349	1	FRENCH FLOOR NOZZLE HARD	
27	22303900	1	COMBI WITH REEL ARNOLDI KIT	
27	22359800	1	Kombidüse sz / 32mm	
28	11276800	1	Teppichdüse32/280	
29	11476200	1	Teppichdüse metall32/400	
30	11476301	1	Bodendüse metall32/400	
31	17830003	1	NILFISK MOP GS/GM	
31	17830004	1	NILFISK MOP GS/GM	
31	17830005	1	NILFISK MOP GS/GM	
31	17830007	1	MOP WITHOUT HOSE 1000 MM MED.	
32	11503100	1	Reduktion38/32	
33	22424800	1	Pelicandüse	
34	81684500	1	Bürste zu Turbodüse	
34	81684600	1	ANTRIEBSRIEMEN ESB 10932mm	
35	82366900	1	Rollendüse 32 / 370 mm	
36	140 7700 000	1	PRE SEPARATOR CYCLONE PHASE 1	