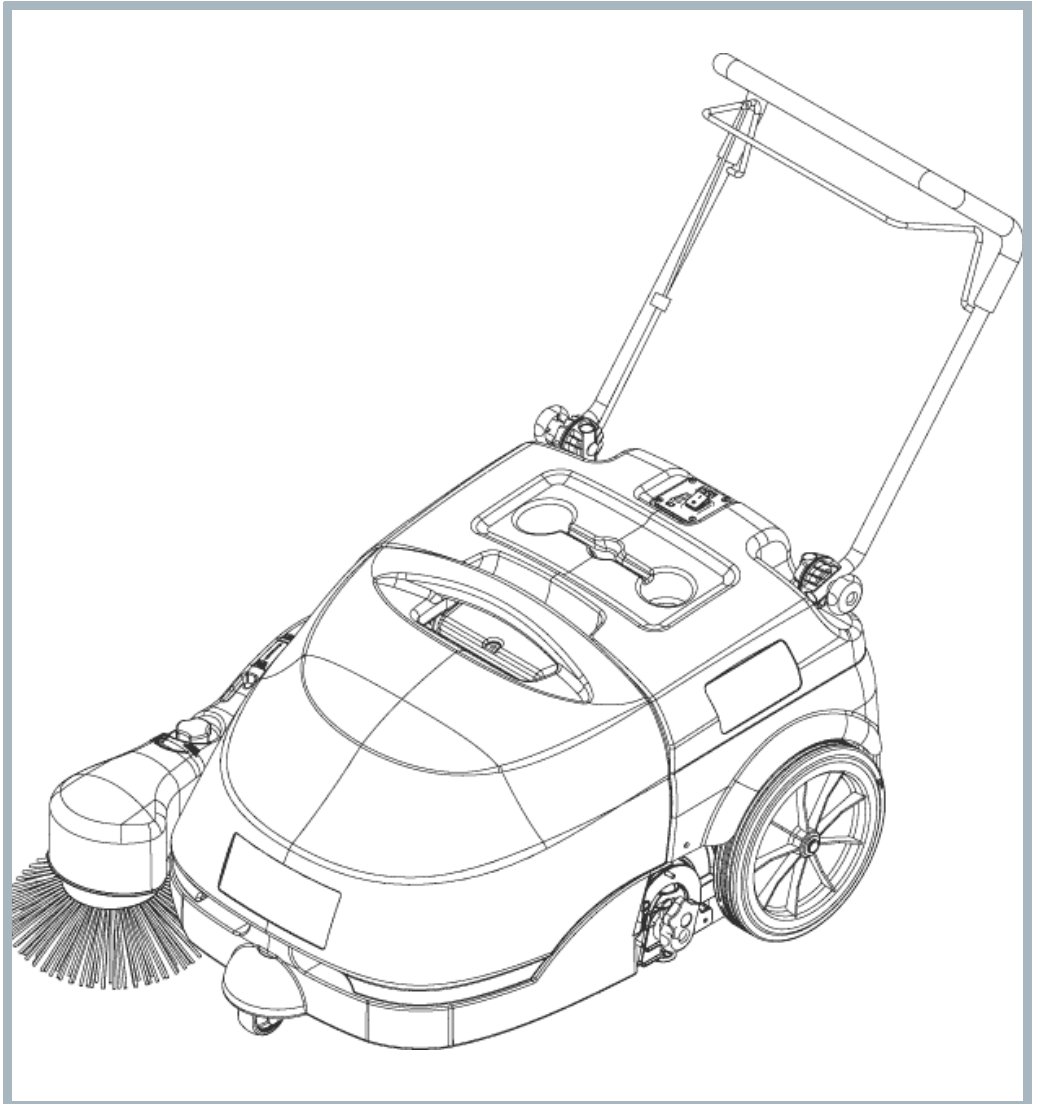


FLOORTEC 350

Model:
FLOORTEC 350
FLOORTEC 350 B ALTO



Stückliste Deutsch

26-09-2014

Nilfisk
ALTO
works for you

www.nilfisk-alto.com

Inhalt

FLOORTEC 350

Ansicht allgemein	3
Chassis-System	5
SEITENBESEN BAUGRUPPE	7
Schmutzaufnahmebehälter System	9
Transmission	11
Right and left hatch assemblies	13
Belt tensioner assemblies	15
Staubedämmsystem	17
Vacuum system and filter assembly	19
Control panel system	21
VERDRAHTUNGSPLAN	23
Recommended spare parts and accessories	25

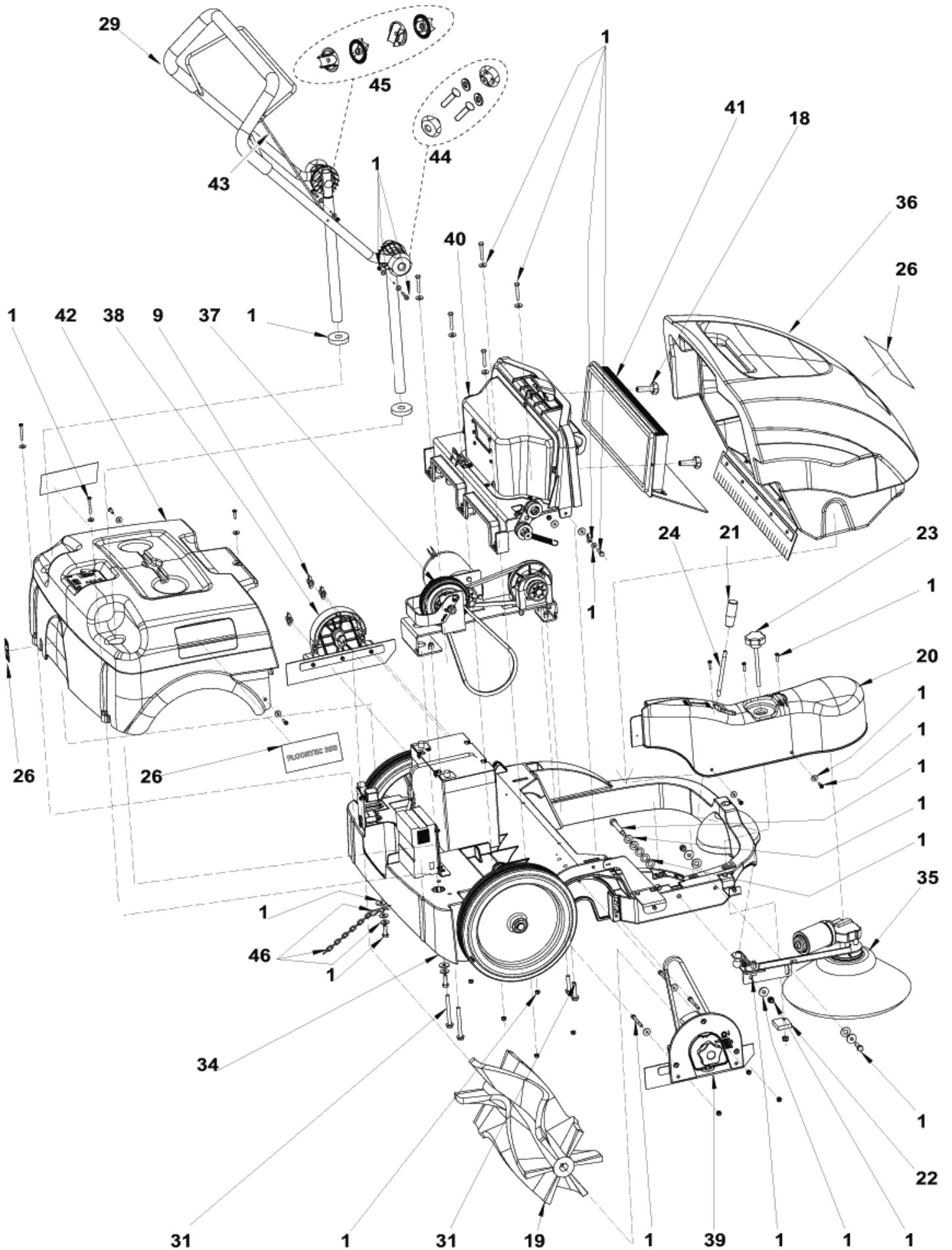
Ansicht allgemein

FLOORTEC 350

26-09-2014

ET-Liste-Nr.
FLOORTEC35002

3



Ansicht allgemein

FLOORTEC 350

26-09-2014

ET-Liste-Nr.
FLOOR I EC35002

4

Pos	Artikelnr.	Me	Beschreibung	
0	1463171000	1	CARPET KIT	ACCESSORY
1	1463858000	1	Befestigungskit	
9	145 0461 000	3	NUT WING M6	
18	146 2991 000	2	Handbedienungsrad D.30 M6	
19	146 3015 000	1	Kehrwalze PPL 0,3	ACCESSORY
19	146 3016 000	1	BROOM MAIN 180X500 Naturfaser (Teppich)	ACCESSORY
19	1463174000	1	Kehrwalze 200X500 PPL0,7PPL 0,3 PPL 0,7	
20	146 3034 000	1	CRANKCASE.SIDE BROOM	
21	146 3037 000	1	HANDLE LEVER	
22	146 3038 000	1	Justierer	
23	146 3039 000	1	DREHKNOPF M8X110	
24	146 3040 000	1	LEVER SIDE BROOM	
26	1463935000	1	DECALS FLOORTEC 350 ALTO KIT	ALTO Brand
26	1463937000	1	Aufkleber KIT FLOORTEC 350 FLOORTEC 350	Nilfisk-ALTO Brand
29	146 3067 000	1	HANDLE BAR WITH LEVER	
31	1463868000	1	HARDWARE TRANSMISSION SYST KIT	
34		1	USE LINK	CHASSIS SYSTEM
35		1	USE LINK	SIDE BROOM ASSEMBLY
36		1	USE LINK	HOPPER SYSTEM
37		1	USE LINK	TRANSMISSION SYSTEM
38		1	USE LINK	LEFT HATCH ASSEMBLY
39		1	USE LINK	RIGHT HATCH ASSEMBLY
40		1	USE LINK	DUST CONTROL SYSTEM
41		1	USE LINK	FILTER ASSEMBLY
42		1	USE LINK	CONTROL PANEL ASSEMBLY
43	146 3119 000	1	Kabel	
44	1463859000	1	HANDLE FIXING KIT	
45	909 5099 000	1	Instalationskit f. BA 430S/510S	
46	1463260000	1	CHAIN GROUND KIT	ACCESSORY

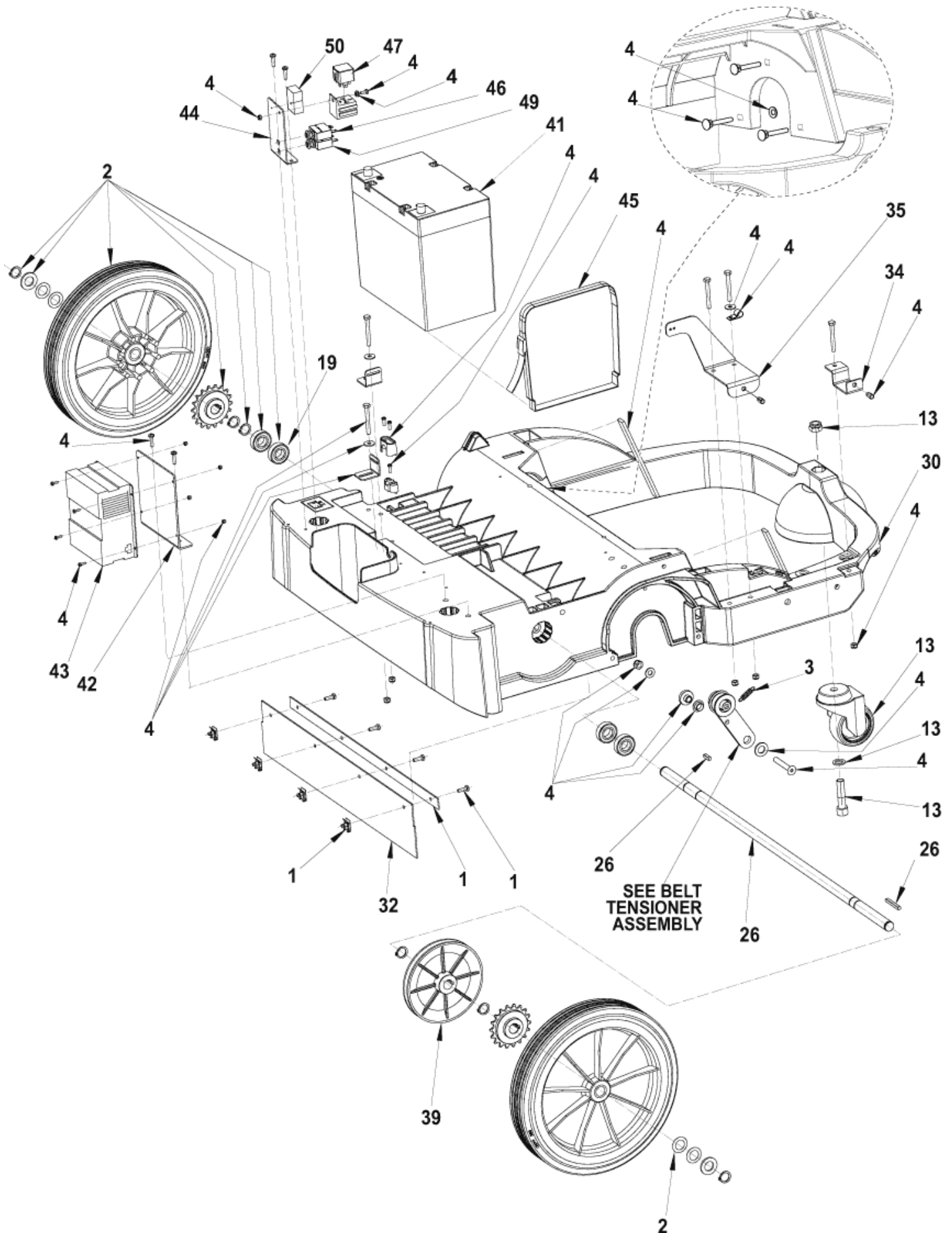
Chassis-System

FLOORTEC 350

26-09-2014

ET-Liste-Nr.
FLOORTEC35004

5



Chassis-System

FLOORTEC 350

26-09-2014

ET-Liste-Nr.
FLOOR I EC35004

6

Pos	Artikelnr.	Me	Beschreibung	
0	145 9788 000	1	Sicherung 7,5A	
0	146 3052 000	1	Kabelbaum	
0	1463167000	1	SKIRTS NO MARKING KIT markierend für Teppich	ACCESSORY
0	1463201000	1	BATTERY CLAMPS POS.-NEG.KIT	
0	1463255000	1	Seitenbesenschürzen Kit	STARTING FROM SERIAL NO.072014268
0	909 5633 000	1	CABLE EXTENSION	
0	909 5676 000	1	Kabel Ex. Plug	
0	9096914000	1	Knickschutz	
1	146 3124 000	1	PLATES AND SKIRTS FIXING KIT	
2	1463976000	2	WHEEL BLUE KI	
3	145 8925 000	1	FEDER	
4	1463861000	1	BefestigungsKit	
13	1463862000	1	Lauf rollenkit	
19	145 8415 000	4	Kugellager 6003 2RS (SW700/850)	
26	1463863000	1	SHAFT WHEELS KIT	
30	146 2978 000	1	Gehäuse	
32	1463166000	1	SKIRTS KIT	
34	146 2983 000	1	BRACKET CARTER FIXING	
35	146 2984 000	1	BRACKET CARTER FIXING	
39	146 2998 000	1	PULLEY D.140	
41	1464483000	1	BATTERY 12V 49AH AGM MONOBLOC Batterie	ACCESSORY - TSB IT 2010-058
41	1464853000	1	BATTERY DISCOVER 12V 84Ah	ACCESSORY - TSB IT 2010-058
42	146 3050 000	1	BRACKET BAT.CHARGER FIX	
43	146 3051 000	1	BATTERIE 12V 6A Ladegerät Einbau	
44	146 3053 000	1	SUPPORT ELECTRONIC COMP.	
45	146 3054 000	1	BELT BATTERY FIXING	
46	146 3090 000	1	HAUPTSCHALTER 5A	
47	146 3113 000	1	RELAIS 12V 70 A TYCO	
49	909 5706 000	1	Sicherung 30A	
50	909 6341 000	1	HALTER	

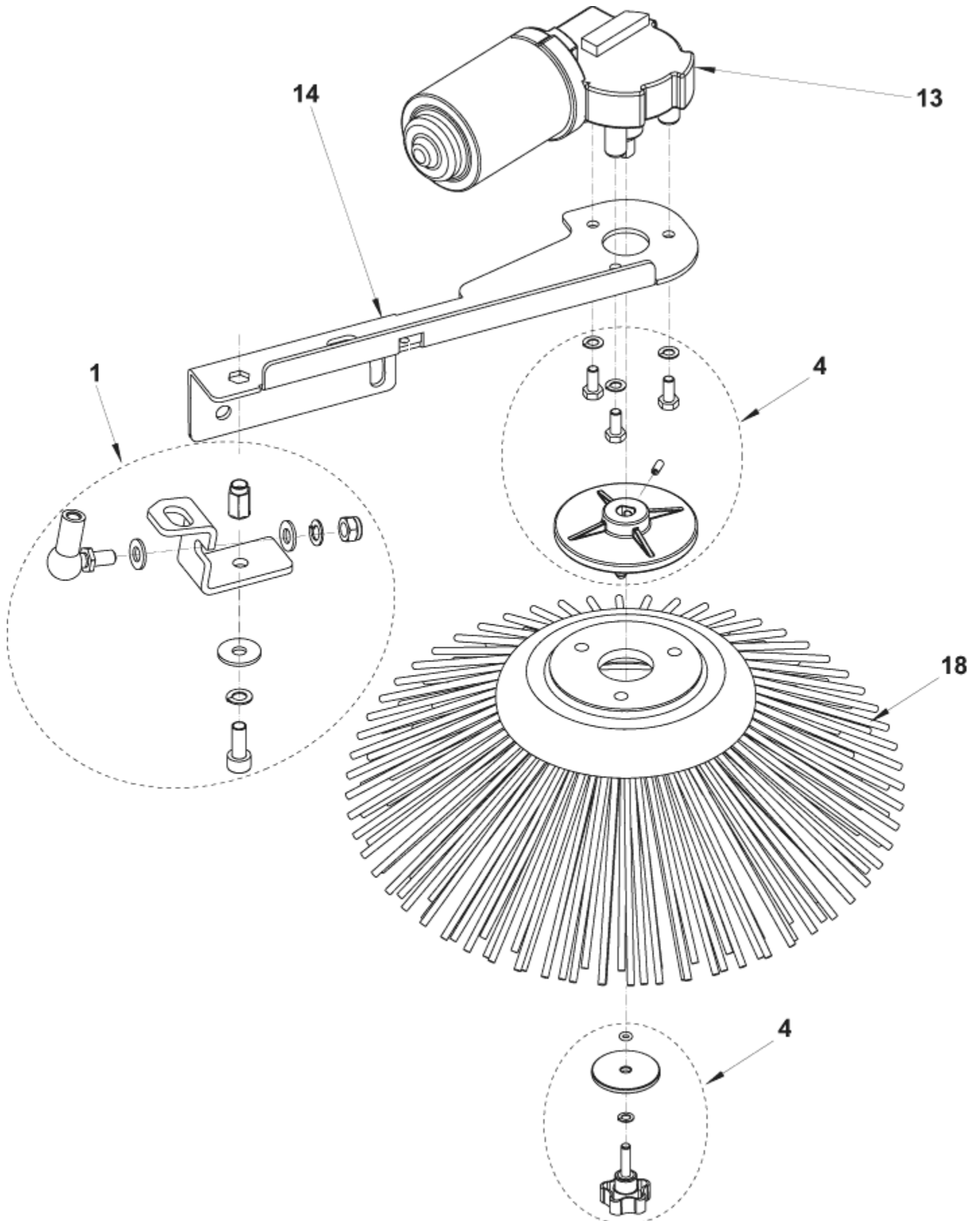
SEITENBESEN BAUGRUPPE

FLOORTEC 350

26-09-2014

ET-Liste-Nr.
FLOORTEC35006

7



SEITENBESEN BAUGRUPPE

FLOORTEC 350

26-09-2014

ET-Liste-Nr.
FLOORTEC35006

8

Pos	Artikelnr.	Me	Beschreibung
1	1463864000	1	HARDWARE SIDE BROOM KIT
4	1463865000	1	Schraube SB SW 750
13	1465999000	1	REDUCTION GEARMOTOR 40W 12V PKD
14	146 3029 000	1	SUPPORT SIDE BROOM
18	146 3035 000	1	Seitenbesen 109X315 PPL0,5 PPL 0,5
18	146 3036 000	1	BROOM SIDE 109X315 NYLON Naturfaser (Teppich) ACCESSORY

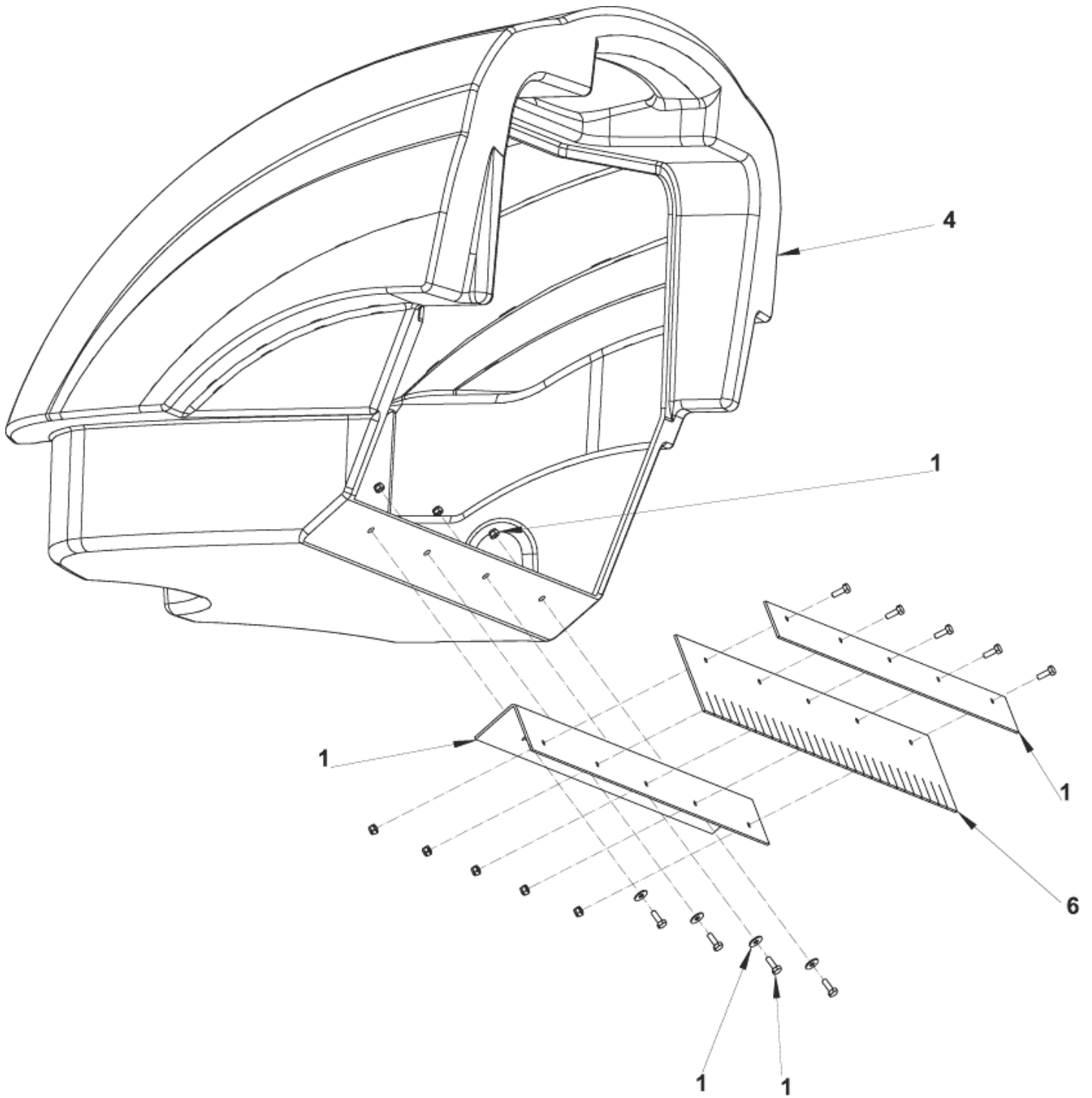
Schmutzaufnahmebehälter System

FLOORTEC 350

26-09-2014

ET-Liste-Nr.
FLOORTEC35008

9



Schmutzaufnahmebehälter System

FLOORTEC 350

26-09-2014

ET-Liste-Nr.
FLOORTEC35008

10

Pos	Artikelnr.	Me	Beschreibung
1	146 3124 000	1	PLATES AND SKIRTS FIXING KIT
4	146 3043 000	1	CONTAINER DIRT
6	146 3047 000	1	Gummilippe f. Schmutzcon- tainer, nicht markierend
6	1463166000	1	SKIRTS KIT

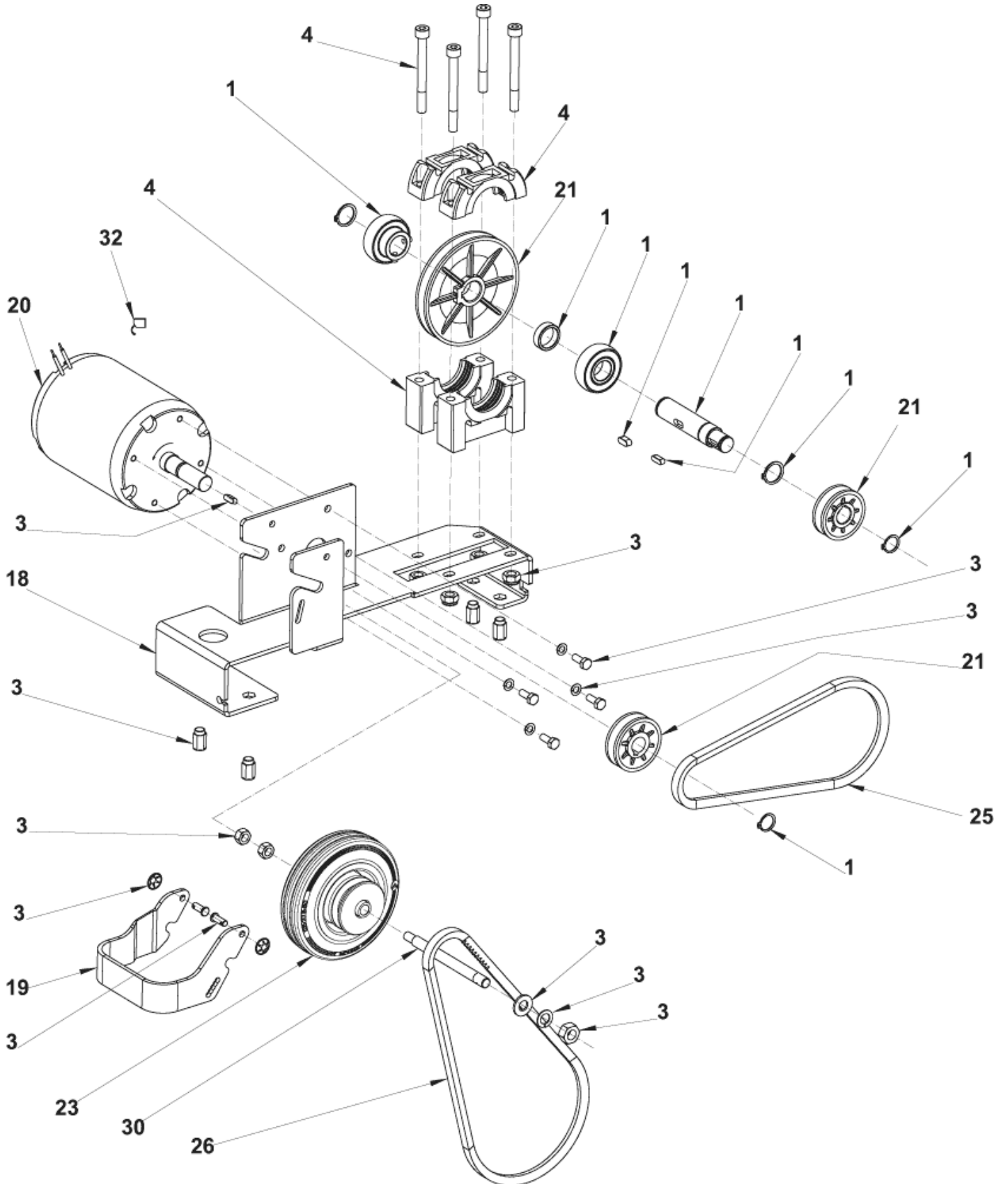
Transmission

FLOORTEC 350

26-09-2014

ET-Liste-Nr.
FLOORTEC35010

11



Transmission

FLOORTEC 350

26-09-2014

ET-Liste-Nr.
FLOORTEC35010

12

Pos	Artikelnr.	Me	Beschreibung
1	1463867000	1	Achsriemenscheibenkit
3	1463868000	1	HARDWARE TRANSMISSION SYST KIT
4	1463866000	1	BEARING SUPPORTS KIT
18	146 3000 000	1	PLATE MOTOR SUPPORT
19	146 3002 000	1	BRACKET CLUTCH WHEEL
20	1465998000	1	MOTOR ELECTRIC 200W 12V PKD
21	1463869000	1	Riemenscheibe
23	146 3006 000	1	ANTRIEBSRAD
25	1463305000	1	Riemen
26	1464045000	1	Riemenkit
30	146 3013 000	1	SHAFT DRIVE CLUTCH WHEEL
32	909 6893 000	1	BRUSH CARBON KIT 4PCS

Right and left hatch assemblies

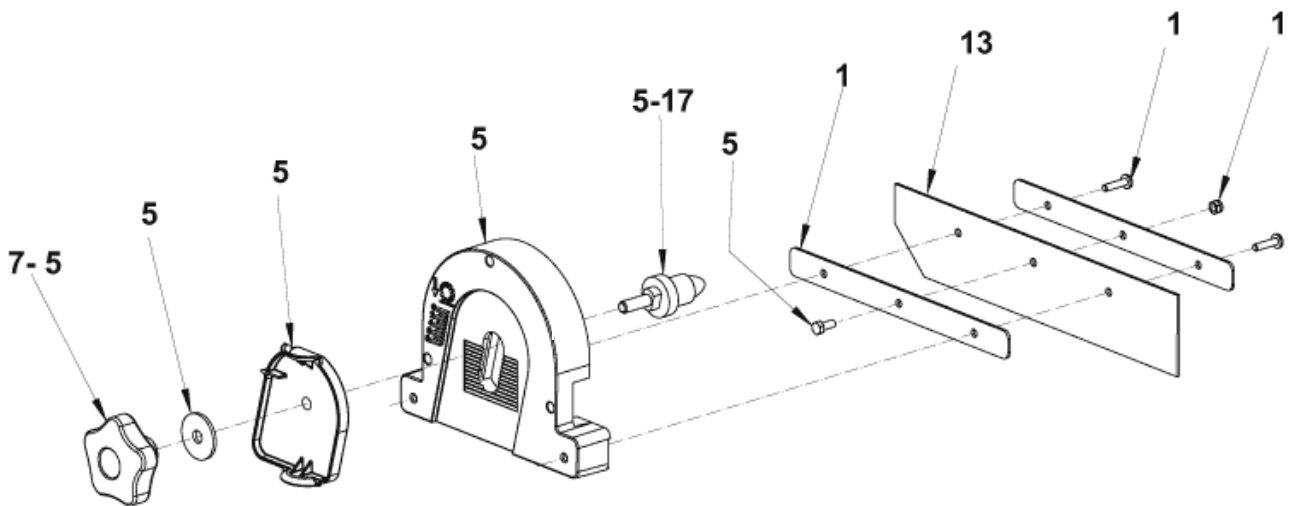
FLOORTEC 350

26-09-2014

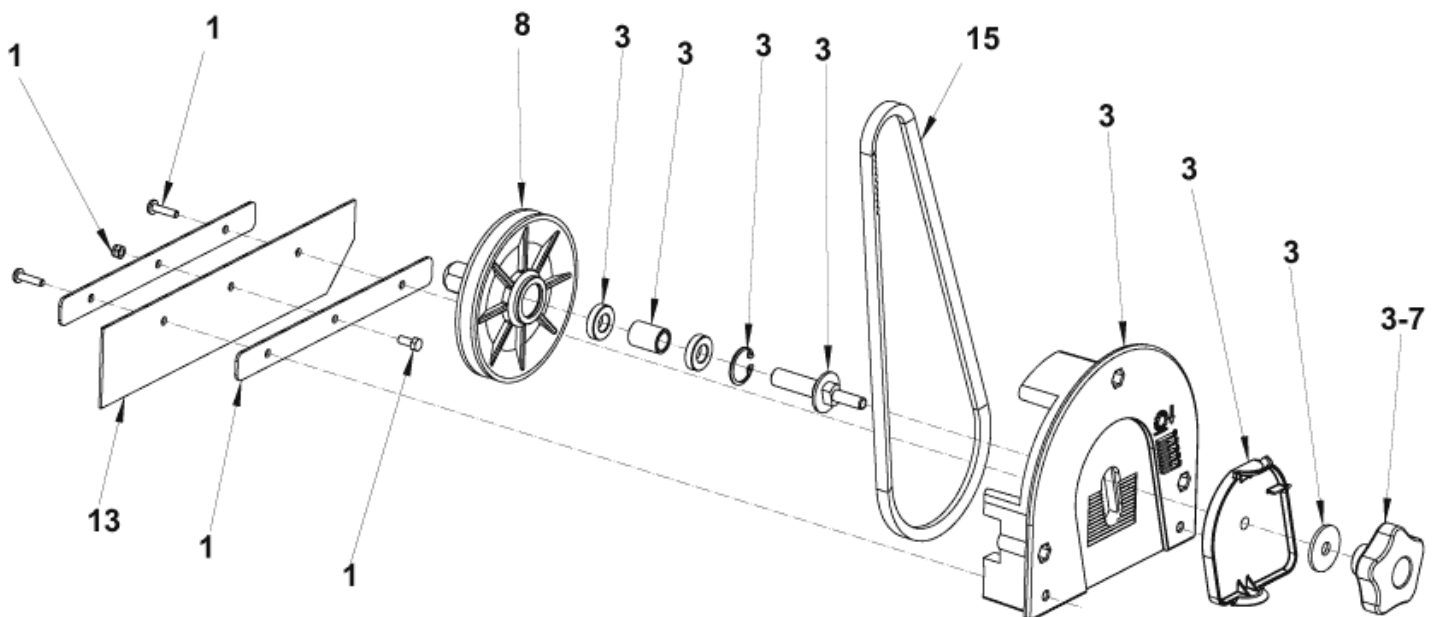
ET-Liste-Nr.
FLOORTEC35012

13

ASSIEME PORTELLO SINISTRO - LEFT HATCH ASSEMBLY



ASSIEME PORTELLO DESTRO - RIGHT HATCH ASSEMBLY



Right and left hatch assemblies

FLOORTEC 350

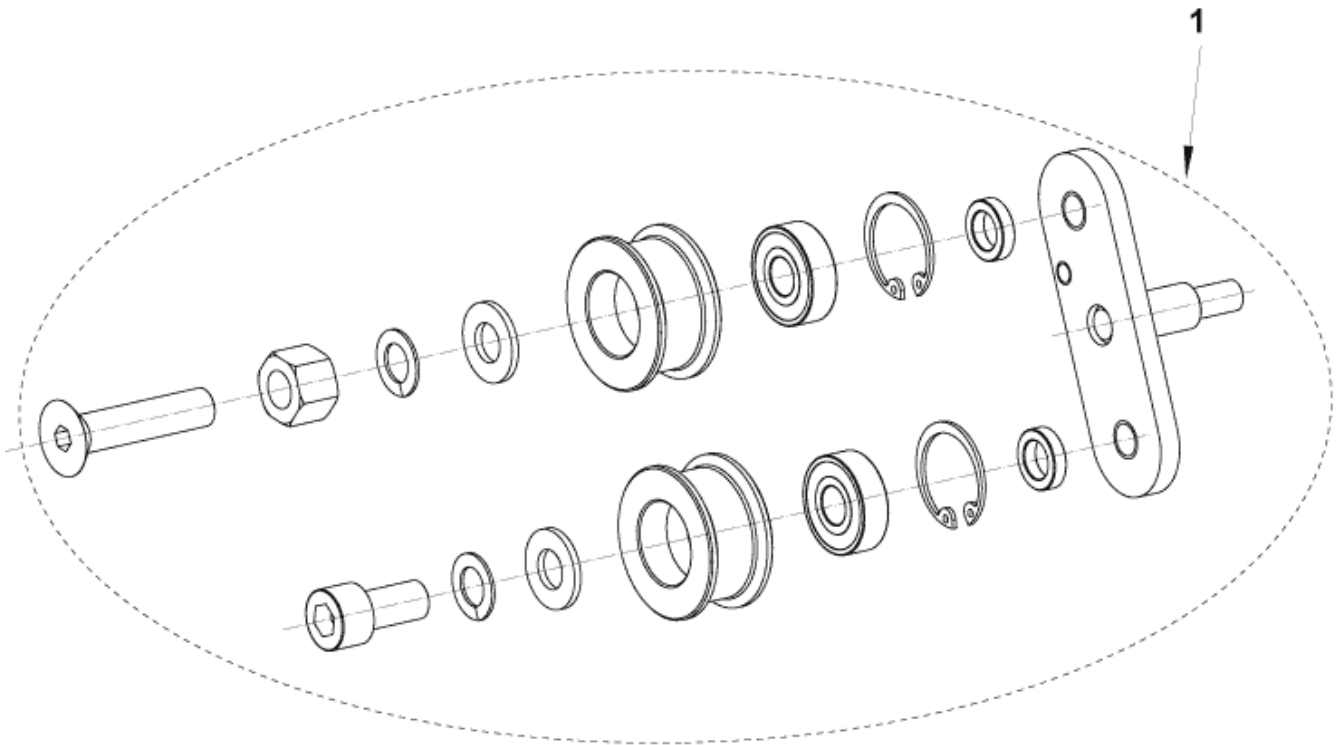
26-09-2014

ET-Liste-Nr.
FLOORTEC35012

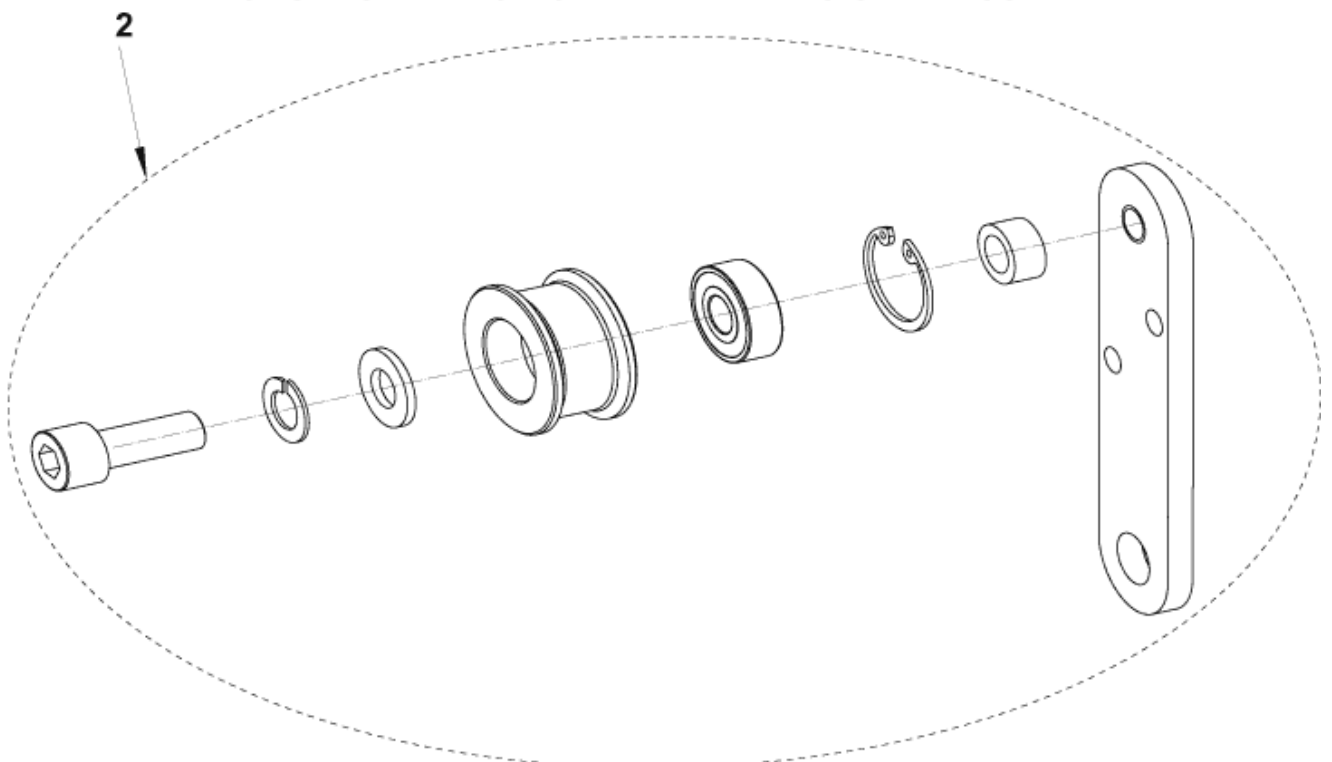
14

Pos	Artikelnr.	Me	Beschreibung
1	146 3124 000	1	PLATES AND SKIRTS FIXING KIT
3	1463870000	1	HATCH RIGHT FIXING KIT
5	1463871000	1	HATCH LEFT FIXING KIT
7	146 1852 000	2	DREHKNOPF M8
8	146 3014 000	1	RIEMENSCHIBE D.112
13	1463166000	1	SKIRTS KIT
15	146 3027 000	1	Keilriemen
17	146 3020 000	1	Bolzen, Kehrwalze

GRUPPO TENDICINGHIA DOPPIO - DOUBLE BELT TENSIONER ASSEMBLY



GRUPPO TENDICINGHIA - BELT TENSIONER ASSEMBLY



Belt tensioner assemblies

FLOORTEC 350

26-09-2014

ET-Liste-Nr.
FLOORTEC35014

16

Pos	Artikelnr.	Me	Beschreibung
1	1463872000	1	Riemenspanner doppelt KIT
2	1463873000	1	Riemenspanner Doppelkit

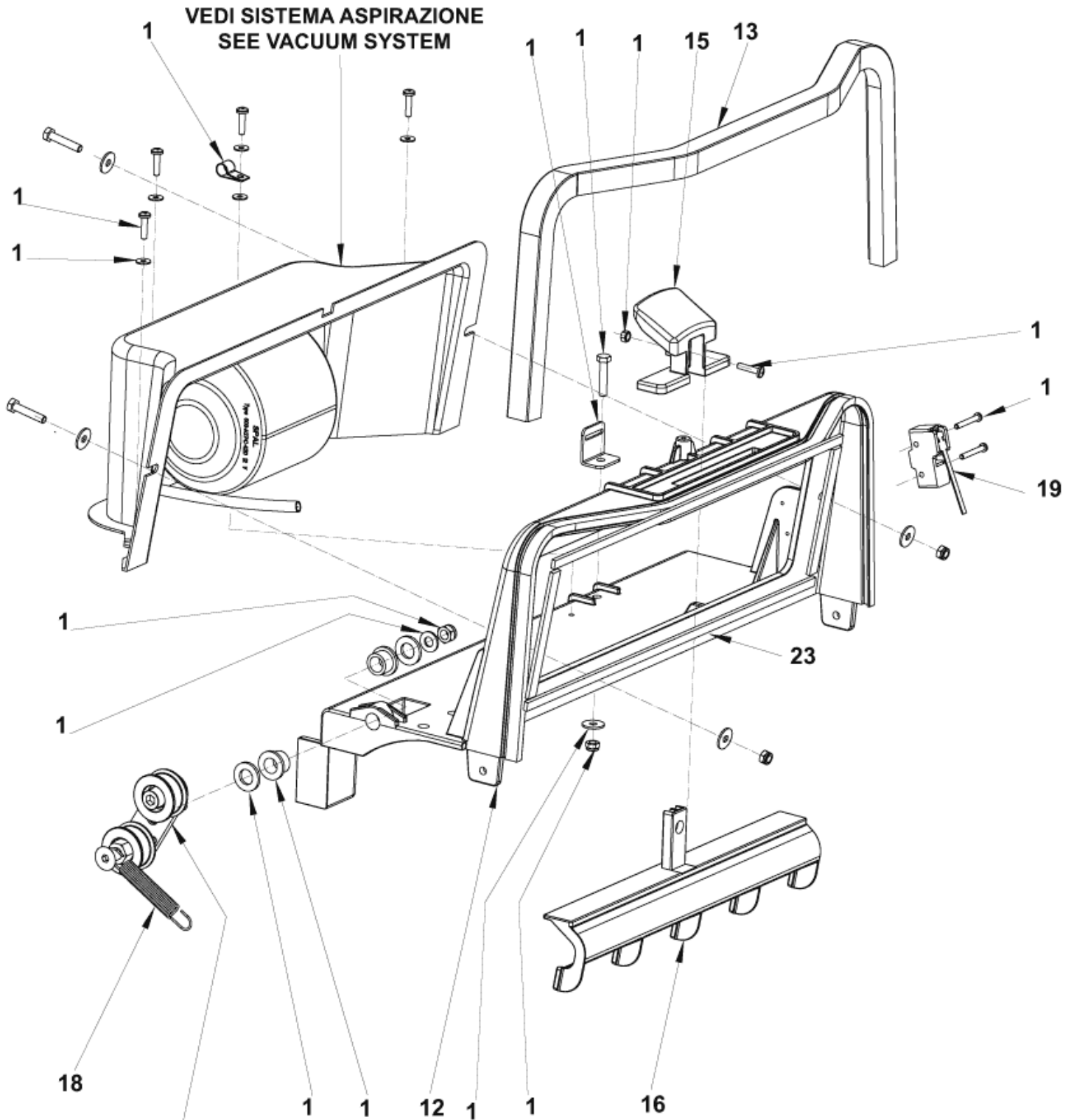
Staubesindämmsystem

FLOORTEC 350

26-09-2014

ET-Liste-Nr.
FLOORTEC35016

17



Staubesindämmsystem

FLOORTEC 350

26-09-2014

ET-Liste-Nr.
FLOORTEC35016

18

Pos	Artikelnr.	Me	Beschreibung
1	1463874000	1	Befestigungskit
12	146 2988 000	1	Filterstütze
13	1463747000	1	Dichtung L 845mm
15	146 2992 000	1	HANDLE FILTER SHAKER
16	146 2993 000	1	FILTER SHAKER
18	145 0274 000	1	Riemenspannarm
19	145 9679 000	1	Mikroschalter 16A 250V
23	1463176000	1	Dichtungs KIT

Vacuum system and filter assembly

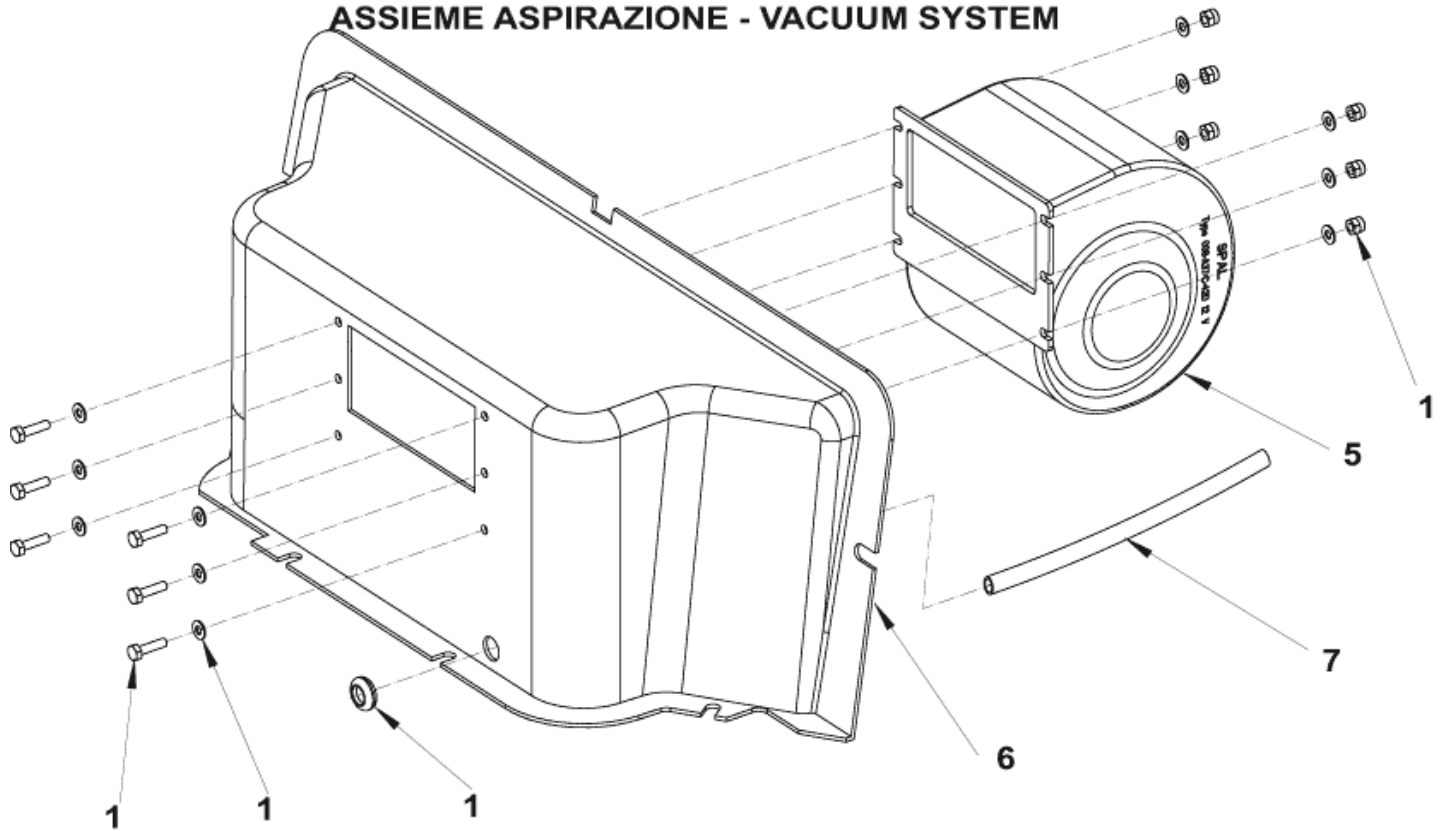
FLOORTEC 350

26-09-2014

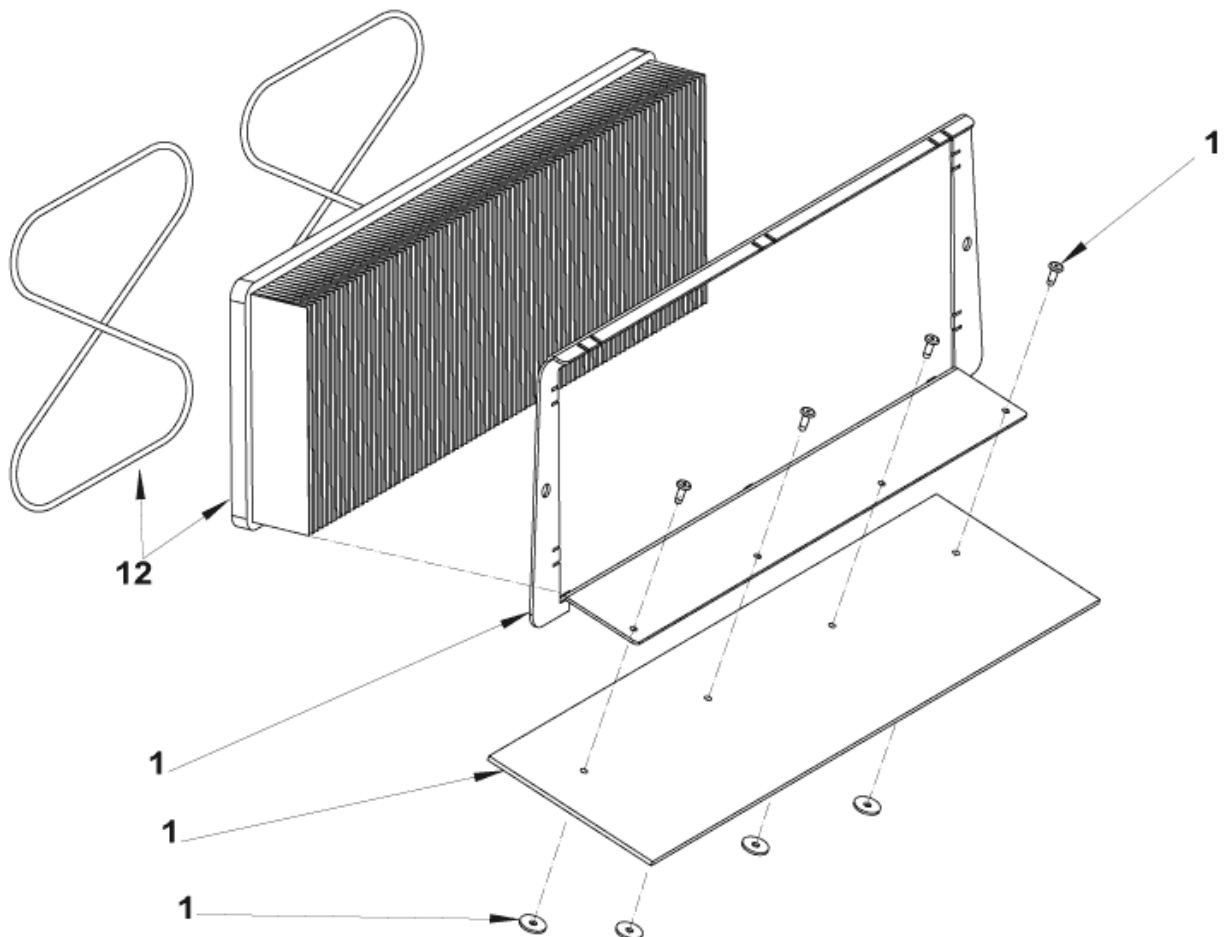
ET-Liste-Nr.
FLOORTEC35018

19

ASSIEME ASPIRAZIONE - VACUUM SYSTEM



GRUPPO FILTRO - FILTER ASSEMBLY



Vacuum system and filter assembly

FLOORTEC 350

26-09-2014

ET-Liste-Nr.
FLOORTEC35018

20

Pos	Artikelnr.	Me	Beschreibung
1	1463875000	1	Filter Befestigung KIT
5	146 1804 000	1	Kühler
6	146 3055 000	1	CONVEYOR
7	146 3125 000	1	HÜLSE D.6xD.7 L 200
12	1463161000	1	FILTER POLYESTER KIT

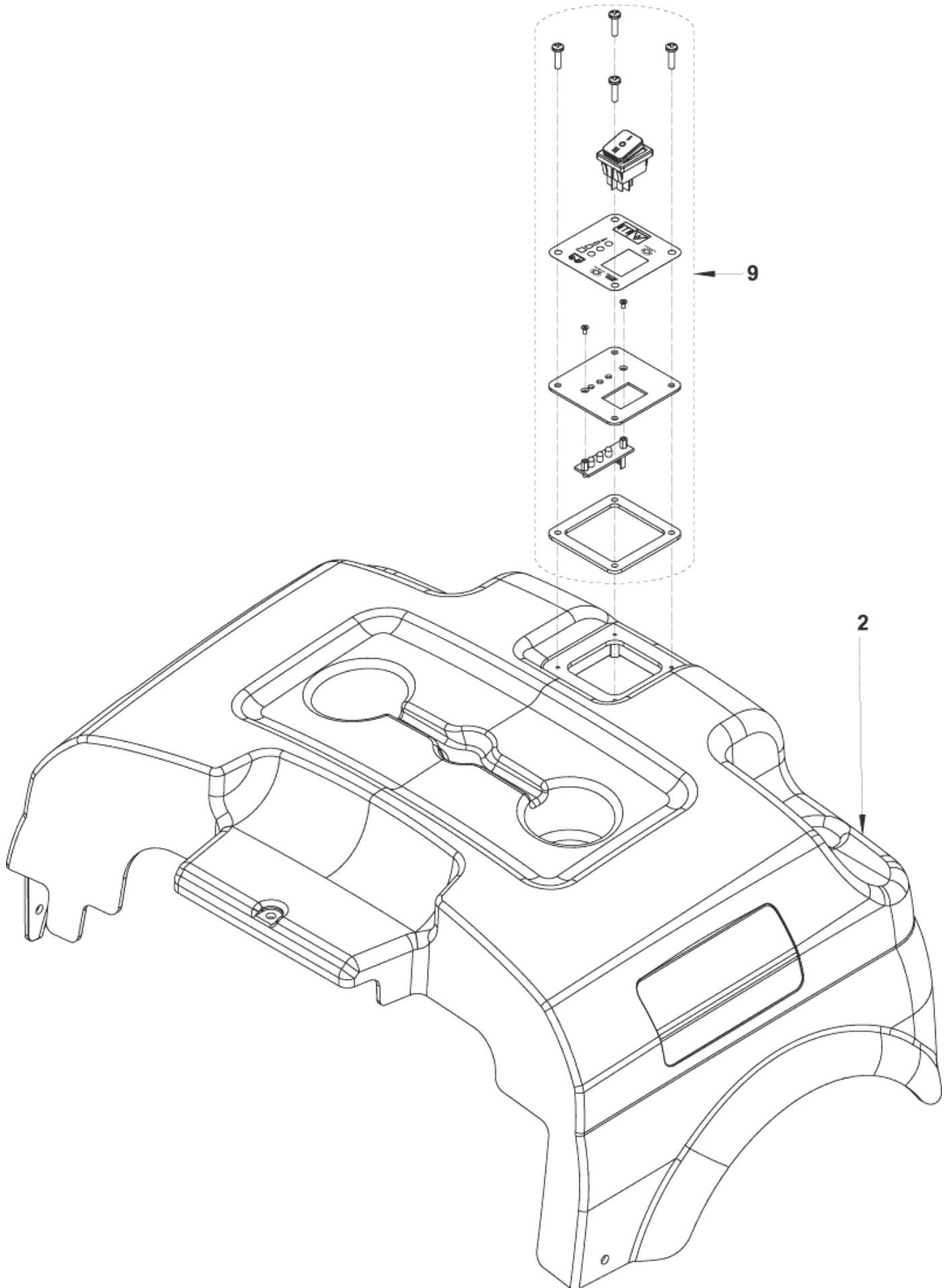
Control panel system

FLOORTEC 350

26-09-2014

ET-Liste-Nr.
FLOORTEC35020

21



Control panel system

FLOORTEC 350

26-09-2014

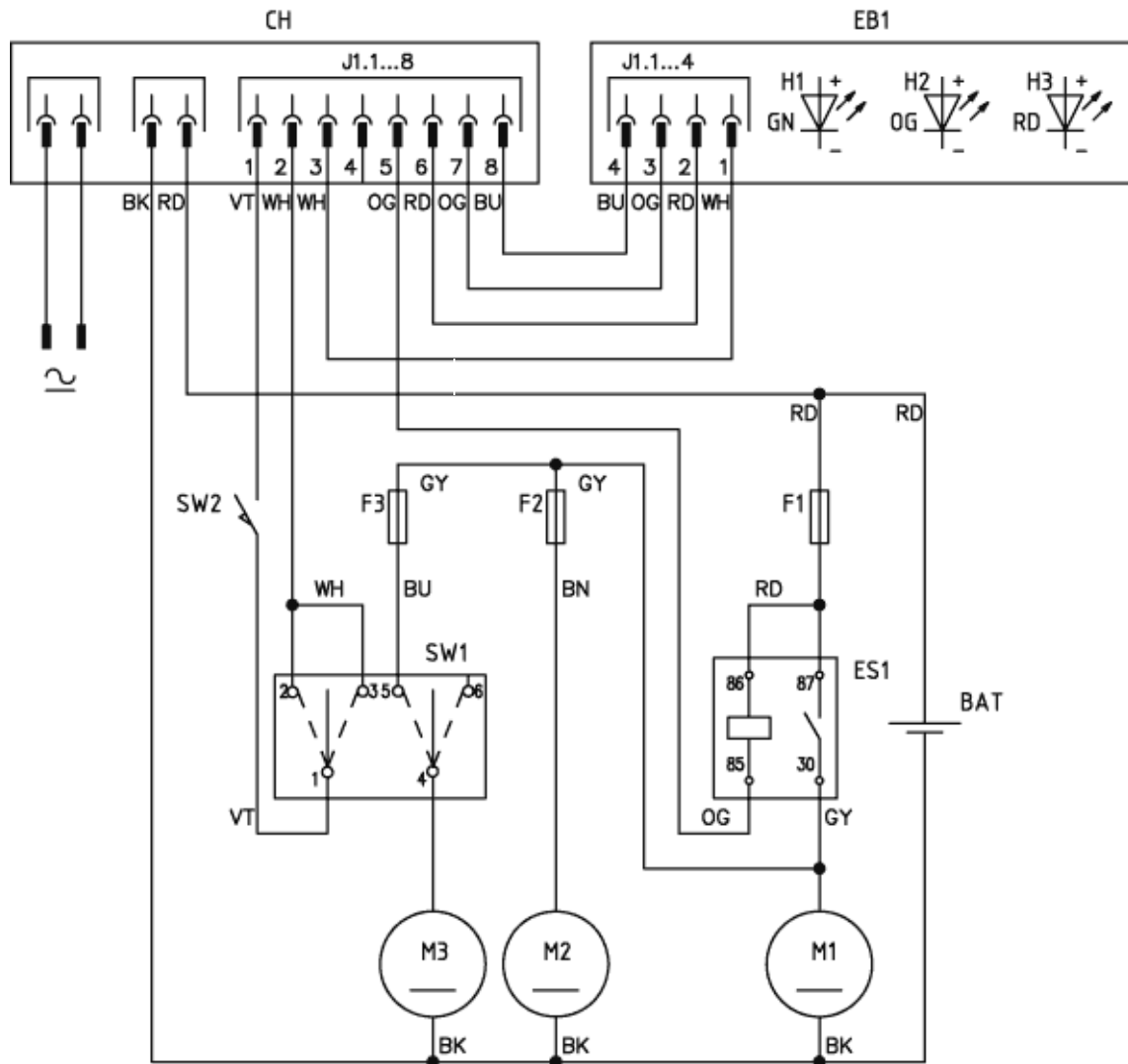
ET-Liste-Nr.
FLOORTEC35020

22

Pos	Artikelnr.	Me	Beschreibung
2	146 3070 000	1	Abdeckung hinten schwarz
9	1463183000	1	Kontroll Bedienfeld , Kit

WIRING DIAGRAM

146 3089 000 - Rev.B



COMPONENTS	
BAT	12V Battery
CH1	Batt. charger / Function controller
EB1	LED board
ES1	Relais
F1	Main circuit breaker
F2	Fan fuse
F3	Side broom circuit breaker
H1	Full charge led
H2	Half charge led
H3	Empty charge led
M1	Main motor
M2	Fan
M3	Side broom motor
SW1	Switch
SW2	Hopper microswitch

VERDRAHTUNGSPLAN

FLOORTEC 350

26-09-2014

ET-Liste-Nr.
FLOORTEC350Z2

24

Recommended spare parts and accessories

FLOORTEC 350

26-09-2014

ET-Liste-Nr.
FLOORTEC35024

25

Keine Zeichnung zur ET-Liste

Recommended spare parts and accessories

FLOORTEC 350

26-09-2014

ET-Liste-Nr.
FLOOR I EC35024

26

Pos	Artikelnr.	Me	Beschreibung	
1	1463166000	1	SKIRTS KIT	WEAR PARTS
2	146 3035 000	1	Seitenbesen 109X315 PPL0,5 PPL 0,5	WEAR PARTS
3	1463174000	1	Kehrwalze 200X500 PPL0,7PPL 0,3 PPL 0,7	WEAR PARTS
4	146 3027 000	1	Keilriemen	WEAR PARTS
5	1463161000	1	FILTER POLYESTER KIT	ORDINARY MAINTENANCE
6	1464045000	1	Riemenkit	ORDINARY MAINTENANCE
7	1463305000	1	Riemen	ORDINARY MAINTENANCE
8	1463976000	1	WHEEL BLUE KI	EXTRAORDINARY MAINTENANCE
9	146 1804 000	1	Kühler	EXTRAORDINARY MAINTENANCE
10	909 5706 000	1	Sicherung 30A	EXTRAORDINARY MAINTENANCE
11	146 3051 000	1	BATTERIE 12V 6A Ladegerät Einbau	EXTRAORDINARY MAINTENANCE
12	1464483000	1	BATTERY 12V 49AH AGM MONOBLOC Batterie	EXTRAORDINARY MAINTENANCE
13	146 3113 000	1	RELAIS 12V 70 A TYCO	EXTRAORDINARY MAINTENANCE
14	146 3090 000	1	HAUPTSCHALTER 5A	EXTRAORDINARY MAINTENANCE
15	1463183000	1	Kontroll Bedienfeld , Kit	EXTRAORDINARY MAINTENANCE
16	1465998000	1	MOTOR ELECTRIC 200W 12V PKD	EXTRAORDINARY MAINTENANCE
17	145 9679 000	1	Mikroschalter 16A 250V	EXTRAORDINARY MAINTENANCE
18	1465999000	1	REDUCTION GEARMOTOR 40W 12V PKD	EXTRAORDINARY MAINTENANCE
19	1464853000	1	BATTERY DISCOVER 12V 84Ah	ACCESSORY
20	146 3016 000	1	BROOM MAIN 180X500 Naturfaser (Teppich)	ACCESSORY
21	146 3015 000	1	Kehrwalze PPL 0,3	ACCESSORY
22	146 3036 000	1	BROOM SIDE 109X315 NYLON Naturfaser (Teppich)	ACCESSORY
23	1463171000	1	CARPET KIT	ACCESSORY
24	1463167000	1	SKIRTS NO MARKING KIT markierend für Teppich	ACCESSORY
25	1463255000	1	Seitenbesenschürzen Kit	ACCESSORY