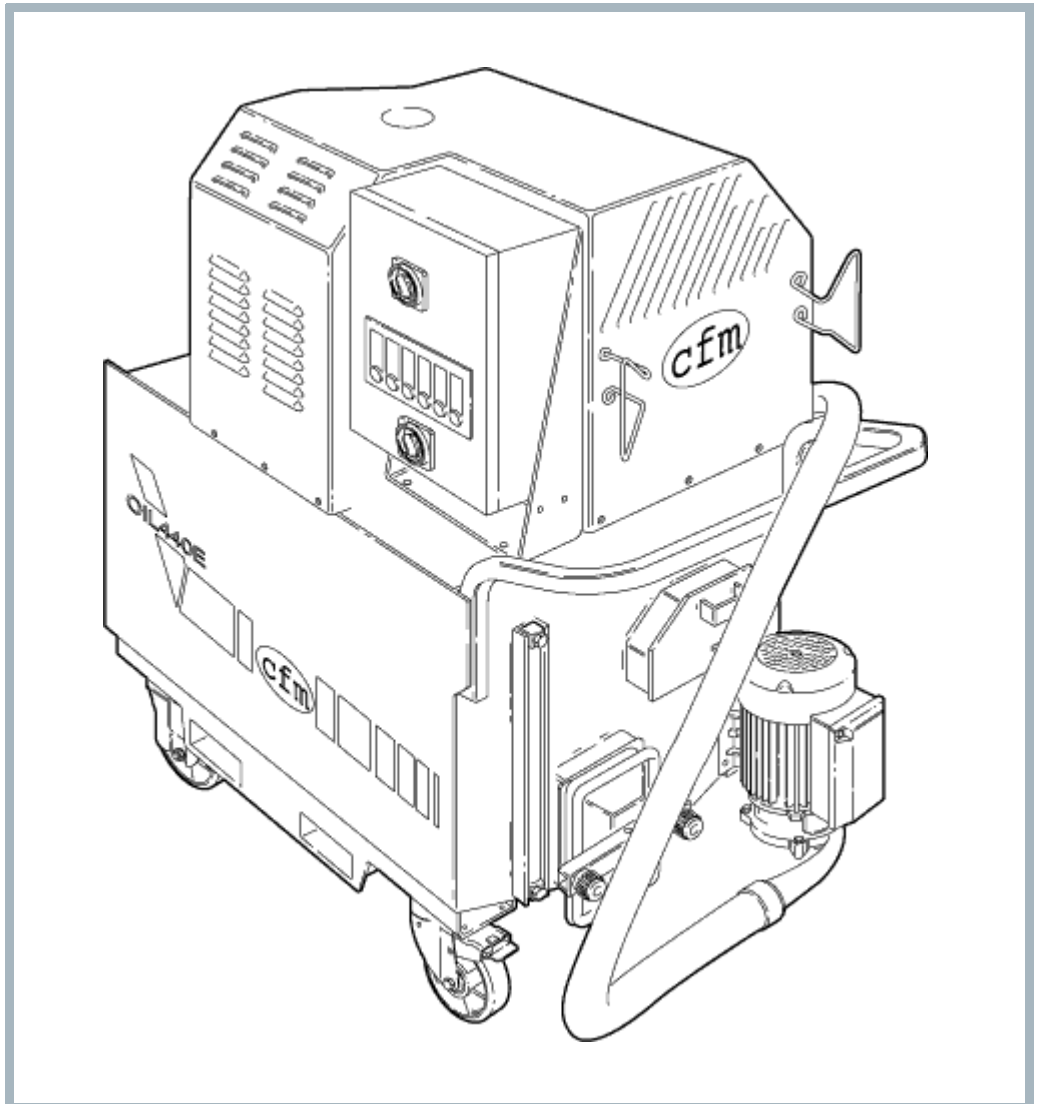


OIL 440

Model:
OIL 440



Part List US-English

25-02-2015

Table of Contents

OIL 440

Frame	3
Container unit	5
Anti-splash filter	7
Liquid discharging system	9
Suction unit	11
Intake unit	13
Electric board	15

Frame

OIL 440

25-02-2015

Part List ID

OIL440Z

4

Pos	Part no.	Qty	Description
2	Z8 36424	1	FAIRING FOR OIL 440
3	Z8 16121	1	SUPPORT ELECT.BOARD OIL440
4	Z8 18334	1	HANDLE MODEL OIL 440
5	Z8 40241	2	FIXED WHEEL D200 OIL 440
6	Z8 40242	2	CASTOR D.200 PLATE OIL 440
7	Z8 40594	1	SEAL NOZZLE OIL 440
8	Z8 40593	1	NOZZLE COVER OIL 440 COVERxART290
10	Z8 16189	2	CABLE HOLDER MODEL T37
11	Z8 17083	1	GREEN LABEL CFM BIG GREEN
13	Z8 40586	1	LEVEL CHECK OIL440
14	Z8 40587	2	NUT 3/8
15	Z8 12286	1	CAP PROTECTION PROBE
16	Z8 39545	1	SENS.MAGN.LIQ. D28 FLOATER NO-NC
18	Z58 40148	1	STUD FOR A128XR 1/4M-F
19	Z8 40729	1	SLEEVE 1/4 F/F
20	Z8 39819	1	CABLE GLAND PG7 PA
21	Z8 17015	1	3-PHASE PLATE ALUMINIUM
22	Z8 17084	1	PROFILE U SEAL

Container unit

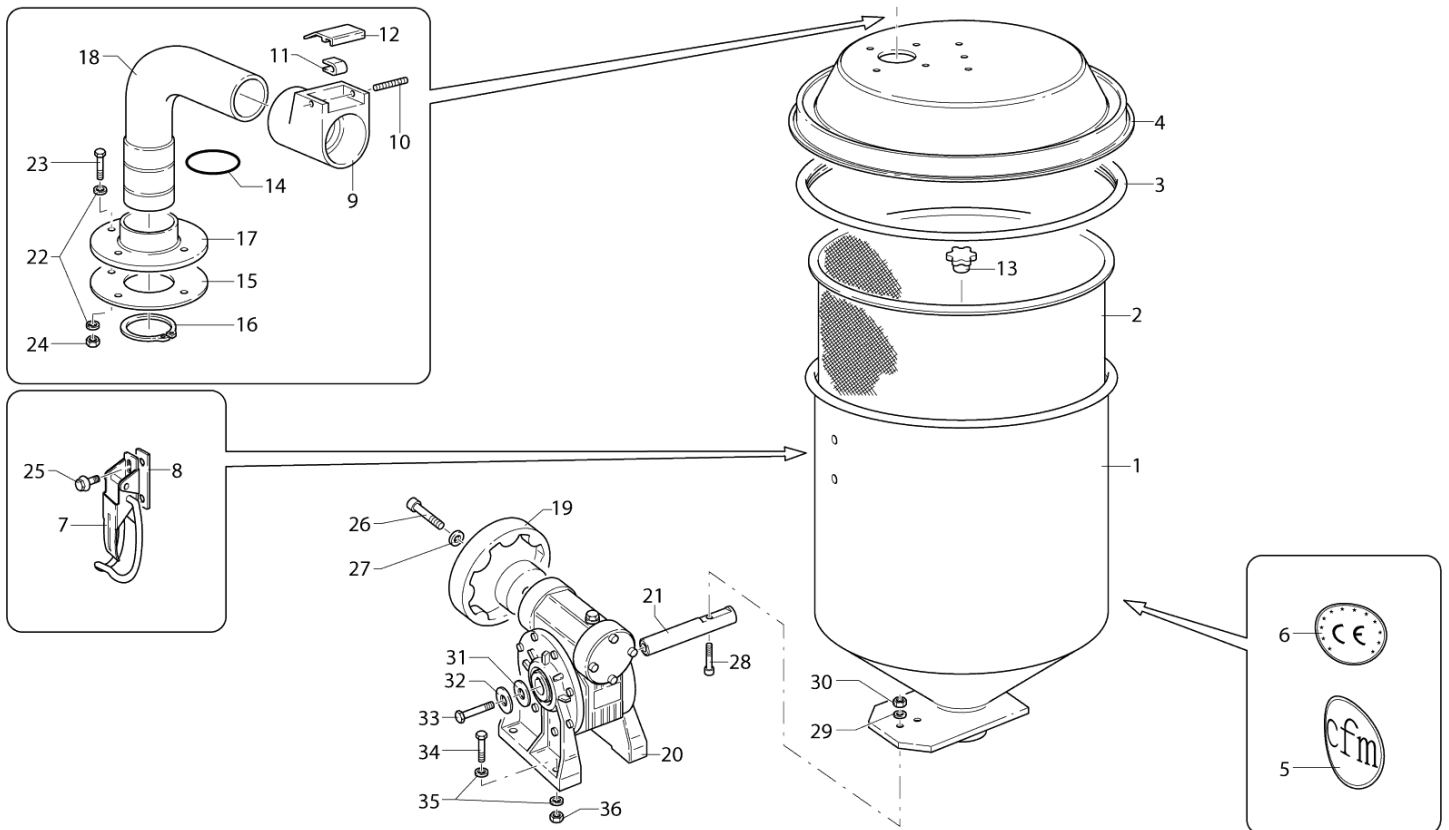
OIL 440

25-02-2015

Part List ID

OIL4404

5



Container unit

OIL 440

25-02-2015

Part List ID

OIL4404

6

Pos	Part no.	Qty	Description
1	Z8 37092	1	HOPPER D460x400 x OIL440
2	Z8 30178	1	PERF.CONTAINER D435x380 FE OIL
3	Z8 17459	1	FILTER SEAL D460 OIL TIGHT
4	Z8 31049	1	CAP D460 FE HOLE D70 MAN.FILTER SHAKER
5	Z8 17083	1	GREEN LABEL CFM BIG GREEN
6	Z8 17349	1	CE MARK LABEL
7	Z8 36028	2	CAP LEVER CLOSURE FE
8	Z8 18010	2	HOOK HOLDER PLATE
10	Z8 38020	2	ELASTIC PIN 3X16
11	Z8 13010	1	SPRING INLET D50
12	Z8 32543	1	SS BUTTONFOR INLET D50
13	Z8 40576	1	KNOB D60 M10 NO HOLE
14	Z8 17224	2	O.R. x OIL 440
15	Z8 17006	1	INLET SEAL D70
16	Z8 38011	2	SEEGER D.55 x OIL 440
17	Z8 32156	1	BUSHING FIX OIL440
18	Z8 32155	1	COUPLING D50 SWIVEL OIL 440
19	Z8 40254	1	TILTING HANDWHEEL OIL 440
20	Z8 56011	1	GEARBOX EMPTYING OIL 440
21	Z8 14190	1	PIN REDUCTION UNIT OIL 440
50	Z8 25055	1	STRAIGHT INLET D50 COMPL.

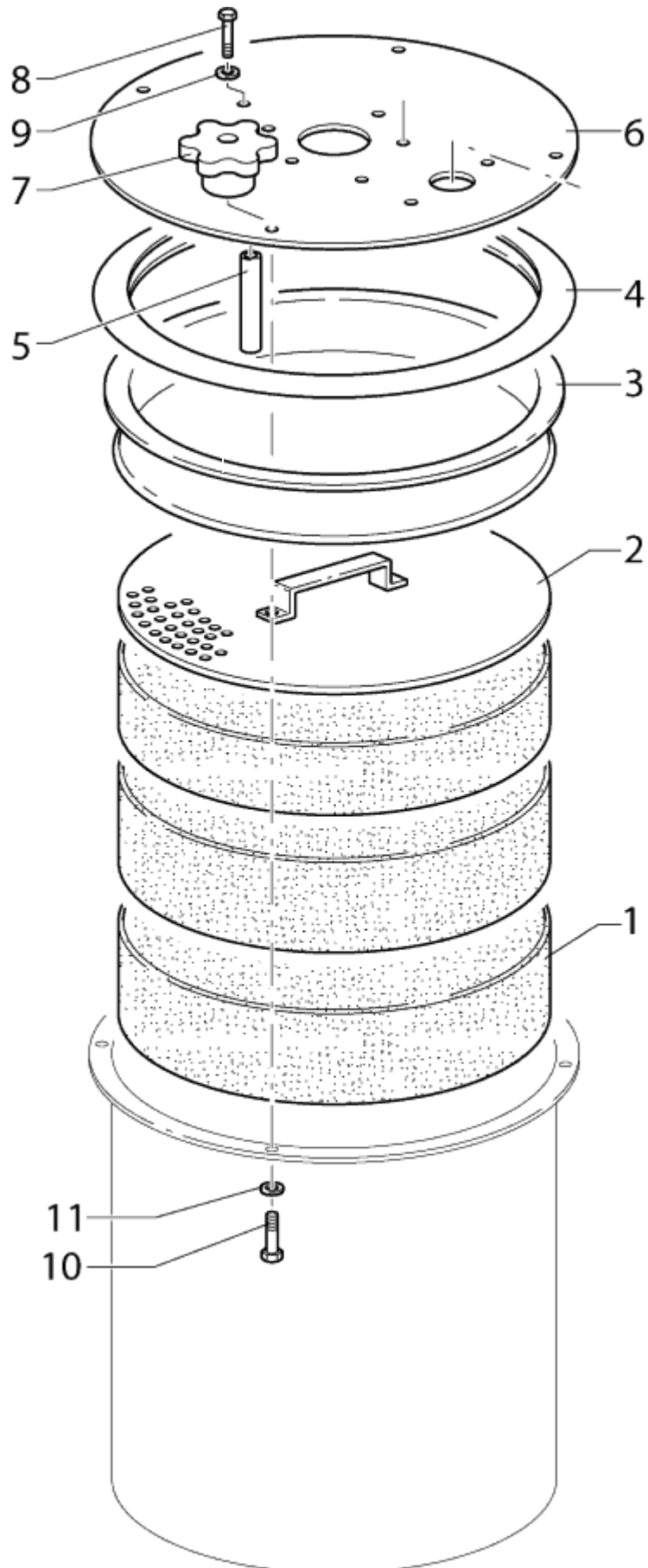
Anti-splash filter

OIL 440

25-02-2015

Part List ID
OIL4406

7



Anti-splash filter

OIL 440

25-02-2015

Part List ID

OIL4406

8

Pos	Part no.	Qty	Description
1	Z8 17257	4	FILTER X STEAMS OIL 440
2	Z8 12034	2	SIFTER D280 HOLES D5 Z.PLT.
3	Z8 15001	1	FILTER HOLDER RING D280 FE
4	Z8 17024	1	FILTER SEAL D280 BLACK
5	Z8 14506	3	SPACER D10X90 OIL220
7	Z8 40030	4	KNOB D60 M10 THROUGH x FIXED SUCKER

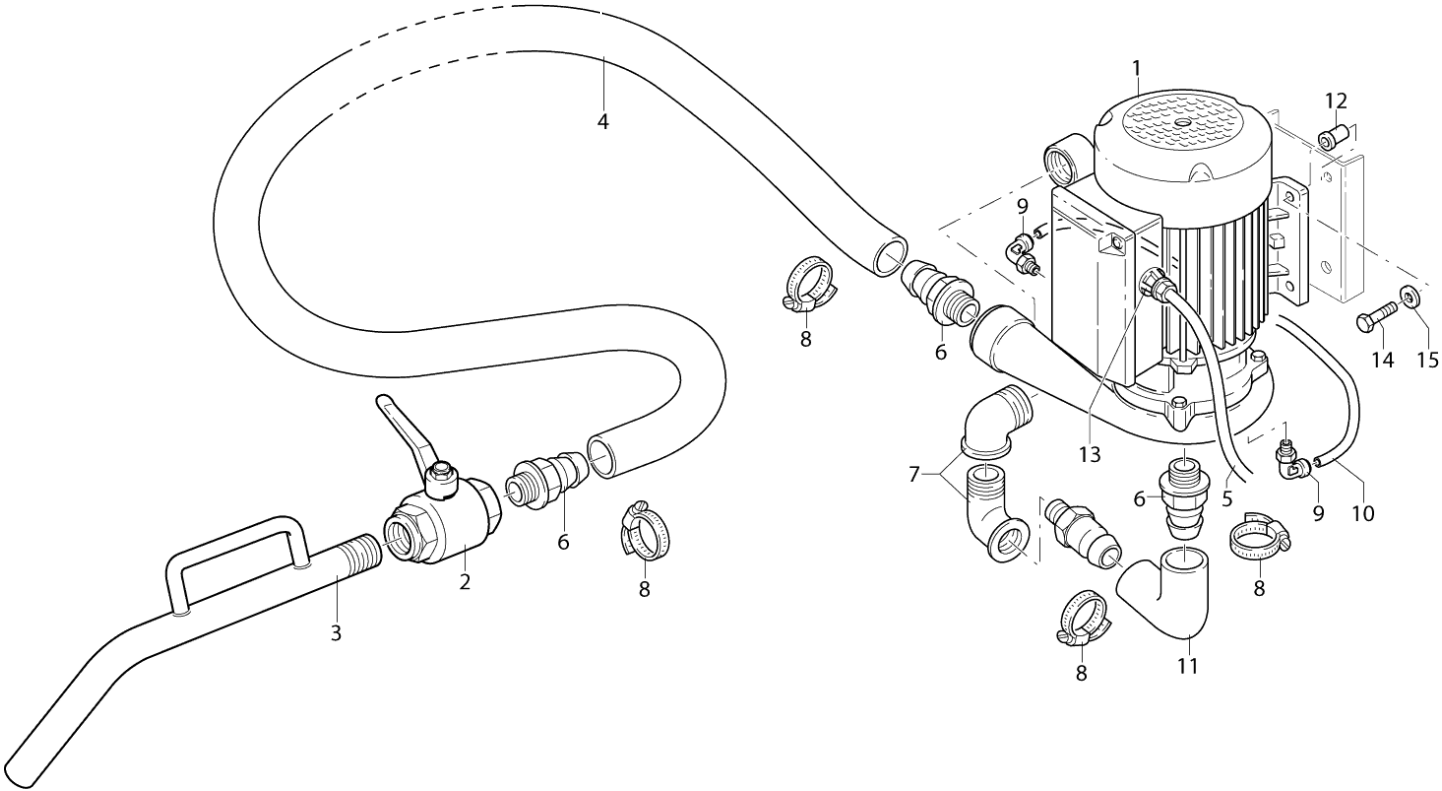
Liquid discharging system

OIL 440

25-02-2015

Part List ID
OIL4408

9



Liquid discharging system

OIL 440

25-02-2015

Part List ID

OIL4408

10

Pos	Part no.	Qty	Description
1	Z8 56026	1	3-PH PUMP KW 0.55xOIL 675
2	Z8 40375	1	BALL VALVE 1 1/2 F/F
3	Z8 32434	1	CONNECTION EJCT.OIL 1 1/2 D40
4	Z8 24134	1	TUBE D40 OILTIGHT TRANSPARENT
5	Z8 39797	1	CABLE 4G1.5 NEOPR. AL M
6	Z8 40588	4	TUBE HOLDER 1 1/2 D40 BRASS
8	Z8 40932	4	FASC.STRINGIT.33-53 INOX INOX 304
9	Z8 40743	2	CONNECTION BENT SWIVEL1/8MD8
10	Z8 40716	1	TUBE POLYURETHAN 6x4 BLUE
11	ZS08IM24003	1	FITTING D37 RUBBER
12	Z8 38036	4	THREADED INSERT M6
13	Z8 39208	1	CABLE GLAND PG11 PA

Suction unit

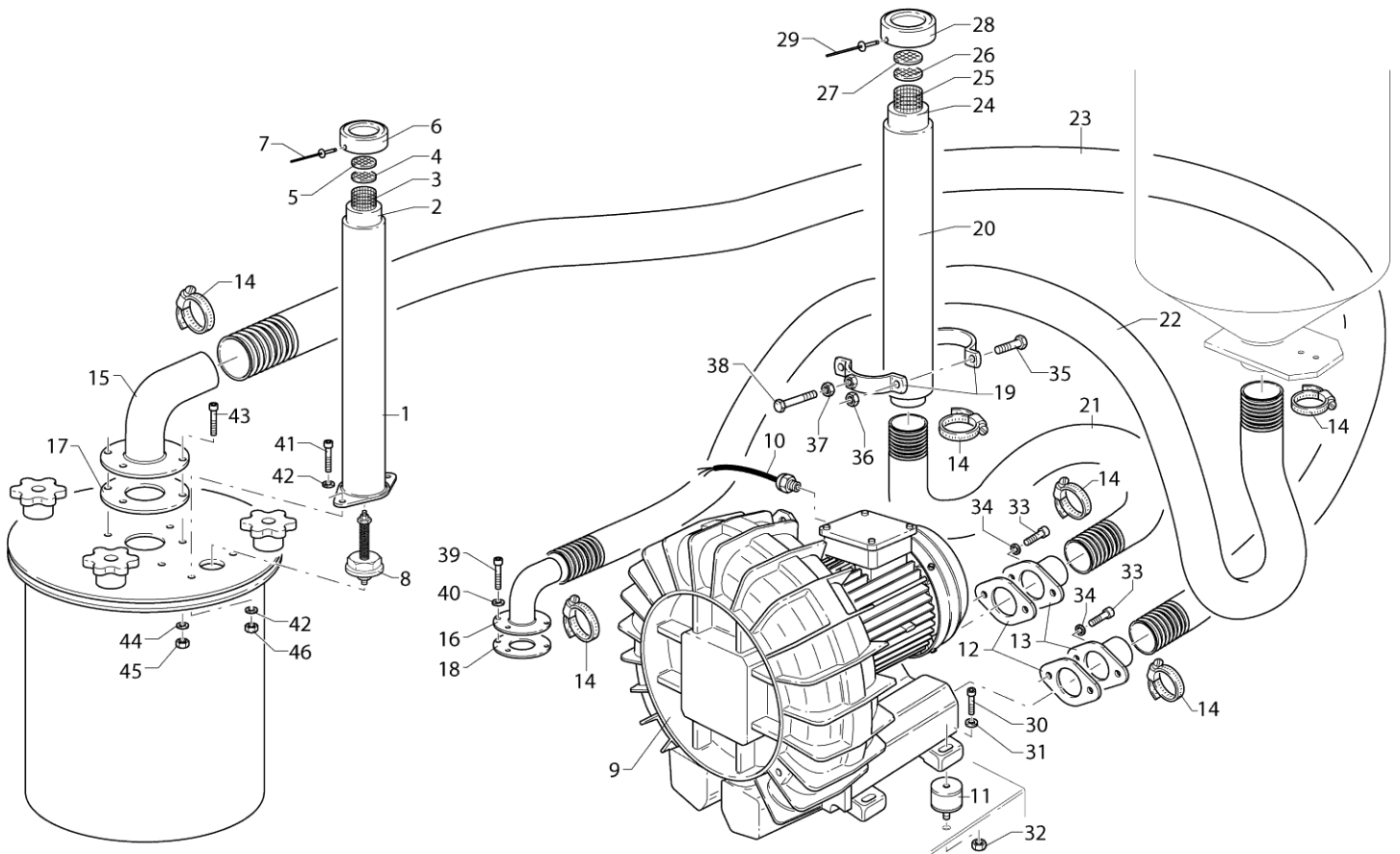
OIL 440

25-02-2015

Part List ID

OIL4410

11



Suction unit

OIL 440

25-02-2015

Part List ID
OIL4410

12

Pos	Part no.	Qty	Description
1	Z8 32034	1	MUFFLER D60 MOD. 3101
2	Z8 13044	1	MUFFLER SPONGE D60
3	Z8 13054	1	MUFFLER MESH TUBE D60
4	Z8 13063	1	NET D60 MESH 12x12
5	Z8 13062	1	NET D60 MESH 1.5x1.5
6	Z8 13068	1	MUFFLER COVER D60 FE
8	Z8 34024	1	RELIEF VALVE 1 1/2
10	Z8 39285	1	CABLE CONN.MOT. 4G2.5 NE. MOD.3507
11	Z8 40383	4	PAD D50 M10 M/F
12	Z8 17255	2	SEAL X CONNECTIONS SIEMENS
13	Z8 32312	2	CONNECTION BLOWING D.50
14	Z8 40040	6	TIE D40-60
15	Z8 32081	1	BENT COUPL. D50 FL120 ZINC.
16	Z8 32005	1	BENT COUPL. D50 FL100ZINC PLAT
17	Z8 17006	1	INLET SEAL D70
18	Z8 17005	1	INLET SEAL D50
19	Z57 83025	2	COLLAR DN100 3 1/2 ZINC PLA
21	Z7 24111	1	TUBE POLYURETHAN D50 IN METERS
22	Z7 24111	1	TUBE POLYURETHAN D50 IN METERS
23	Z7 24111	1	TUBE POLYURETHAN D50 IN METERS
24	Z8 13049	1	MUFFLER SPONGE D100x840
25	Z8 13059	1	MUFFLER MESH TUBE D100
26	Z8 13067	1	NET D100 MESH 12x12
27	Z8 13066	1	NET D100 MESH 6x6
28	Z8 13070	1	MUFFLER COVER D100 FE
50	Z8 32035	1	MUFFLER D60 MOD.3101 COMP

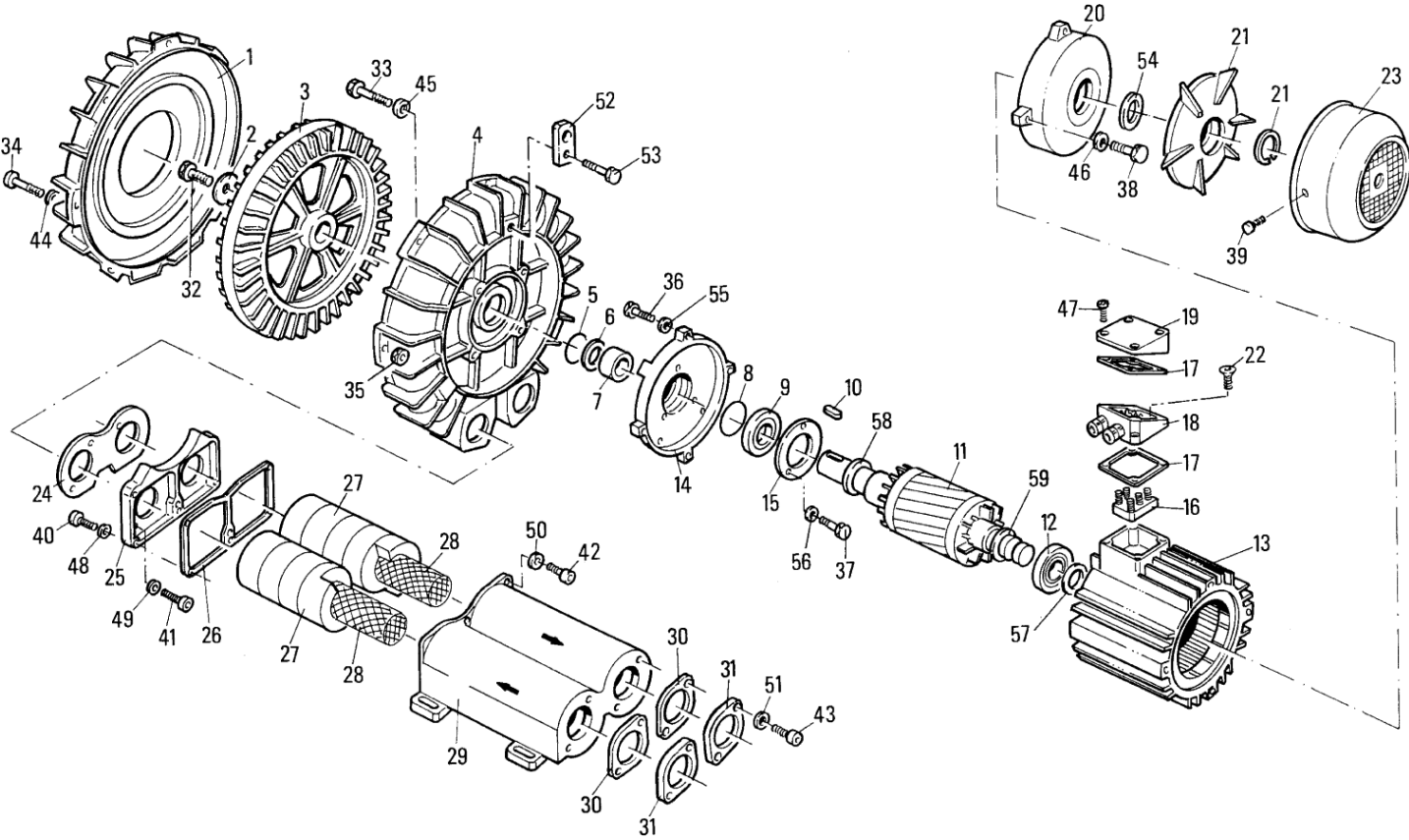
Intake unit

OIL 440

25-02-2015

Part List ID
OIL4412

13



Intake unit

OIL 440

25-02-2015

Part List ID

OIL4412

14

Pos	Part no.	Qty	Description
1	Z8 51023	1	BOTTOM CAP MOD.58055
3	Z8 51056	1	IMPELLER MOD.58055 HP 5.5
21	Z8 51340	1	COOLING FAN 58055
27	Z8 51370	2	SOUNDPROOF + MESH 58055
29	Z8 51305	1	CASING MUFLER 58055

Electric board

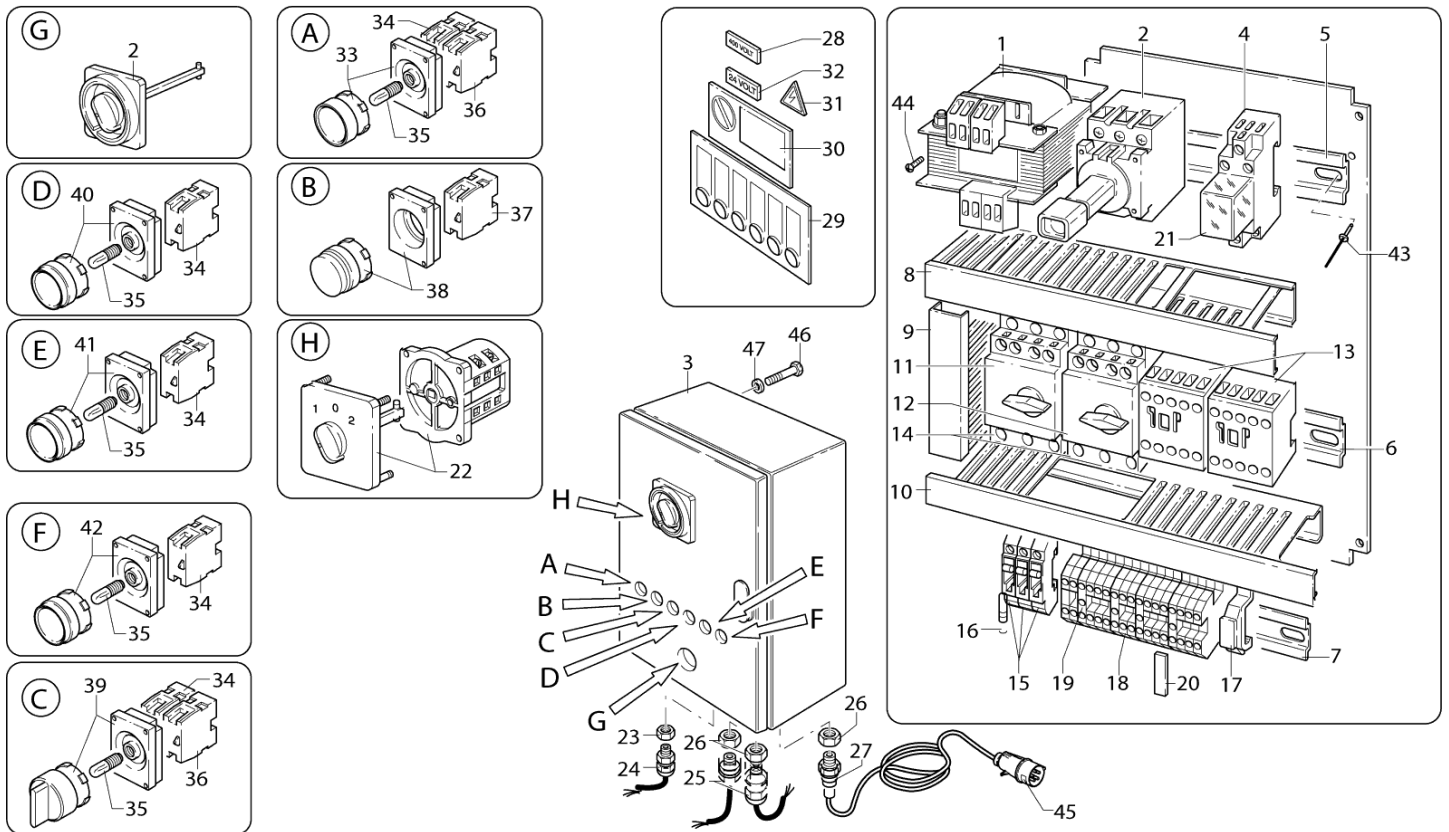
OIL 440

25-02-2015

Part List ID

OIL4414

15



Electric board

OIL 440

25-02-2015

Part List ID

OIL4414

16

Pos	Part no.	Qty	Description
1	Z8 39104	1	TRANSFORMER 63VA 400/24V
2	Z8 39556	1	MAIN SWITCH 32A IP65 S
3	Z58 39768	1	CASE 300x400x160 DRILLED DRW. IP65 BxHxP
4	Z8 39118	1	BASE x RELAY 2 EXCHANGES PYF
5	Z8 39133	1	GUIDE OMEGA TS 35x7.5
6	Z8 39133	1	GUIDE OMEGA TS 35x7.5
7	Z8 39133	1	GUIDE OMEGA TS 35x7.5
8	Z8 39130	1	RACEWAY X C3
9	Z8 39130	1	RACEWAY X C3
10	Z8 39130	1	RACEWAY X C3
11	Z8 39680	1	CIRCUIT BREAKER KLOCK. 6.3-10 A PKZM0
12	Z8 39677	1	CIRCUIT BREAKER KLOCK. 1.6-2.5 A PKZM0
13	Z8 39281	2	CONTACTOR KW4 24VAC 1NO SIRIUS S00
14	Z8 39684	2	CONTACTS AUX OVERL.CUTOUT KLOC
15	Z8 39244	3	TERMINAL FUSEHOLDER 1.5mmq S 5X20
16	Z8 39539	3	FUSE 2A 5x20 GLASS RAPID
17	Z8 39296	2	TERMINAL STOP x GUIDE 35mm S
18	Z8 39120	11	TERMINAL LINE 6MMQ S
19	Z8 39121	4	TERMINAL EARTH 6MMQ S
21	Z8 39259	1	RELAY 24VAC 2 EXCHANGES MY2
22	Z8 39557	1	REVERSER COMP. 32 A IP65 BRM
23	Z8 39565	1	METAL RING NUT PG7
24	Z8 39819	1	CABLE GLAND PG7 PA
25	Z8 39055	2	CABLE GLAND PG16 PA
26	Z8 39568	3	METAL RING NUT PG16
27	Z8 39060	1	CABLE GLAND PG16 PA SPRING
28	Z8 17089	1	LABEL 400V
31	Z8 17361	1	LABEL VOLTAGE ON
34	Z8 39113	5	LAMP HOLDER BA9 3SB3
35	Z8 39114	5	LAMP BA9 V24
36	Z8 39108	2	CONTACT NO PUSH B. 3SB3
37	Z8 39110	1	CONTACT NC PUSH B. 3SB3
38	Z8 39109	1	PUSHBUTTON RED 3SB3
39	Z8 39719	1	SELECTOR LIGHTNING GREEN 2 POSITIONS
40	Z8 39111	1	PILOT LIGHT WHITE D22 3SB3
41	Z8 39112	1	PILOT LIGHT RED D22 3SB3
42	Z8 39314	1	PILOT LIGHT YELLOW D22 3SB3
45	Z8 39025	1	CABLE SUP. 4G2.5 NE. 9M SP16A MOD.3507