

CR 1700 D/G/P

Model:

CR 1700 D

CR 1700 LPG

CR 1700 P



Part List US-English

26-02-2015

Table of Contents

CR 1700 D/G/P

CHASSIS-1	3
CHASSIS-2	6
ENGINE HOOD ASSEMBLY	8
ENGINE HOOD ASSEMBLY	11
OPERATORS COMPARTMENT	13
OPERATOR 'S COMPARTMENT	16
BRAKE PEDAL AND LEVER	18
STEERING COLUMN ASSEMBLY	20
REAR WHEEL & STEERING	22
FRONT WHEELS	25
FUEL TANK ASSEMBLY (GAS/ DIESEL)	27
FUEL TANK ASSEMBLY (LP)	29
LP SYSTEM	31
HYDRAULIC OIL RESERVOIR ASSEMBLY	33
SIDE BROOM ASSEMBLY	35
HOPPER ASSEMBLY	37
DUST CONTROL FILTER ASSEMBLY	40
HOPPER LIFT ARMS	42
HOPPER LIFT ARMS	44
MAIN BROOM LEVER ASSEMBLY	46
MAIN BROOM	48
HYDRAULIC SYSTEM	50
BROOM HOUSING DOORS & SKIRTS	53
ENGINE ASSEMBLY (GAS/LP)	55
ENGINE ASSEMBLY (DIESEL)	58
RADIATOR ASSEMBLY	61
AIR CLEANER ASSEMBLY	63
AIR CLEANER ASSEMBLY	66
GOVERNOR & DRIVE PEDAL LINKAGE (GAS/ LP)	68
THROTTLE & DRIVE PEDAL LINKAGE (DIESEL)	70
WET PICKUP IMPELLER ASSEMBLY	72
DUST CONTROL IMPELLER ASSEMBLY	75
VACUUM SHUT-OFF ASSEMBLY	77
SOLUTION SYSTEM	79
RECOVERY TANK	81
SCRUB BRUSH SYSTEM	83
SQUEEGEE ASSEMBLY	86
SQUEEGEE MOUNT & LIFT	88
ELECTRICAL DIAGRAM	91

Table of Contents

CR 1700 D/G/P

ELECTRICAL DIAGRAM (DIESEL)	93
ELECTRICAL DIAGRAM (GAS / LP / DIESEL)	95
WEARPAK KIT	97
BROOM SELECTOR	99
SIDE BROOM	101
BRUSH SELECTOR	103
56460020 - Vacuum Shut-off Assembly Kit	105
564363737 - Case Drain Kit	107
56463737 - Case Drain Kit	109
56460111 - ECU Kit	111
56462015 - Solution Drain Filter Kit	113
56460082 - Rotary Carb Kit	115

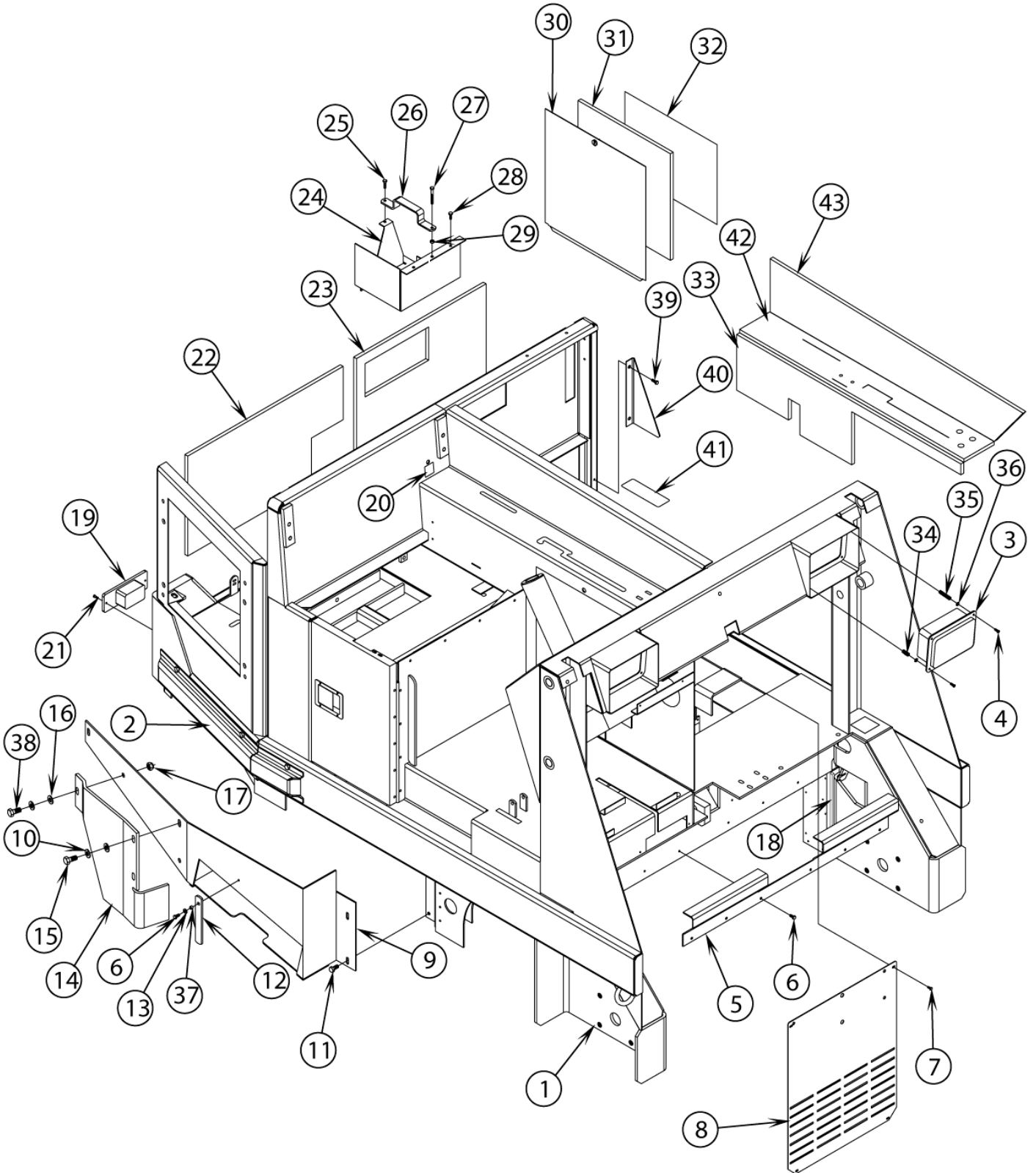
CHASSIS-1

CR 1700 D/G/P

26-02-2015

Part List ID
E11313

3



CHASSIS-1

CR 1700 D/G/P

26-02-2015

Part List ID
E11313

4

Pos	Part no.	Qty	Description	
0	56109306	1	SEAT BELT KIT	Optional
0	56462836	1	O.H. GUARD ASSY INS	Optional
0	56463803	1	EXTENDED USE KIT	Gas and Propane after SN1299512 only - Optional
0	56463850	1	2067 SOFT SIDE CAB KIT	Requires Overhead Guard Kit - Optional
2	56002256	6	SCR HEX TYPE1 3/8-16X 1.00	Not shown
2	56463709	1	SKID	Diesel
3	56481543	2	HEAD LAMP ASSY.	
4	56002728	8	SCR PANPHILTHDFRM 10-24 X 1.25	
5	56462726	2	GUARD HOSE	
6	56009033	7	SCR HEX THD FORM 1/4 20X.50	
7	56009012	4	SCR HEX THD FORM 10 24X.38	
8	56462948	1	PANEL ACCESS	
9	56462729	1	PANEL LEFT	Not shown
10	56009017	8	WSH FLT HDN .516X.938X.075	
11	56002256	4	SCR HEX TYPE1 3/8-16X 1.00	Qty of 10 on Diesel
12	56463052	1	STRAP HOSE	
13	56002098	1	WSH FLT SAE 1/4	
14	56462731	1	GUARD RIGHT	
14	56462733	1	GUARD LEFT	Not shown
15	56003022	4	SCR HEX LOC 1/2-13 X 1.25	
16	56001879	8	WSH FLT SAE 1/2	
17	56002770	4	NUT HEX NYL LOC 1/2-13	
18	56478969	1	GASKET 1/2X1/2X300 RE450L	
19	56100061	2	TAILLIGHT ASSY.	
21	56009043	4	SCR PAN PHIL THD FORM10-24X.75	
23	56463711	1	INSULATION	
25	56002093	1	SCR HEX 1/4-20 X 1.00	
26	56463465	1	CLAMP BATTERY	
27	56001856	1	SCR HEX 1/4 20 X 2.25	
28	56002155	4	SCR HEX 1/4-20 X .75	
29	56009087	1	NUT HEX JAM 1/4 20	
30	56448104	1	SCREW FASTENER CV610	For 56462725 - Not shown
30	56448108	1	WASHER RETAINER	For 56448104 - Not shown
30	56462725	1	PANEL ACCESS	
30	56491326	1	SCREW RECEPTACLE	For 56448104 - Not shown
31	56463718	1	INSULATION	
32	56016172	1	DECAL HYDRAULIC SCHEMATIC	
33	56463710	1	INSULATION	
34	56745695	4	SPRING COM .40X.437AC351D	
35	56745854	4	SPRING COM .43X.937 E00453	
36	56001954	8	WSH FLT SAE 10	
37	56206784	1	BUSHING SP626C	
38	56001968	4	SCR HEX 1/2 13 X 1.50	

CHASSIS-1

CR 1700 D/G/P

26-02-2015

Part List ID E11313

5

Pos	Part no.	Qty	Description
39	56009018	2	SCR HEX THD FORM 1/4-20X .75
43	56463823	1	INSULATION

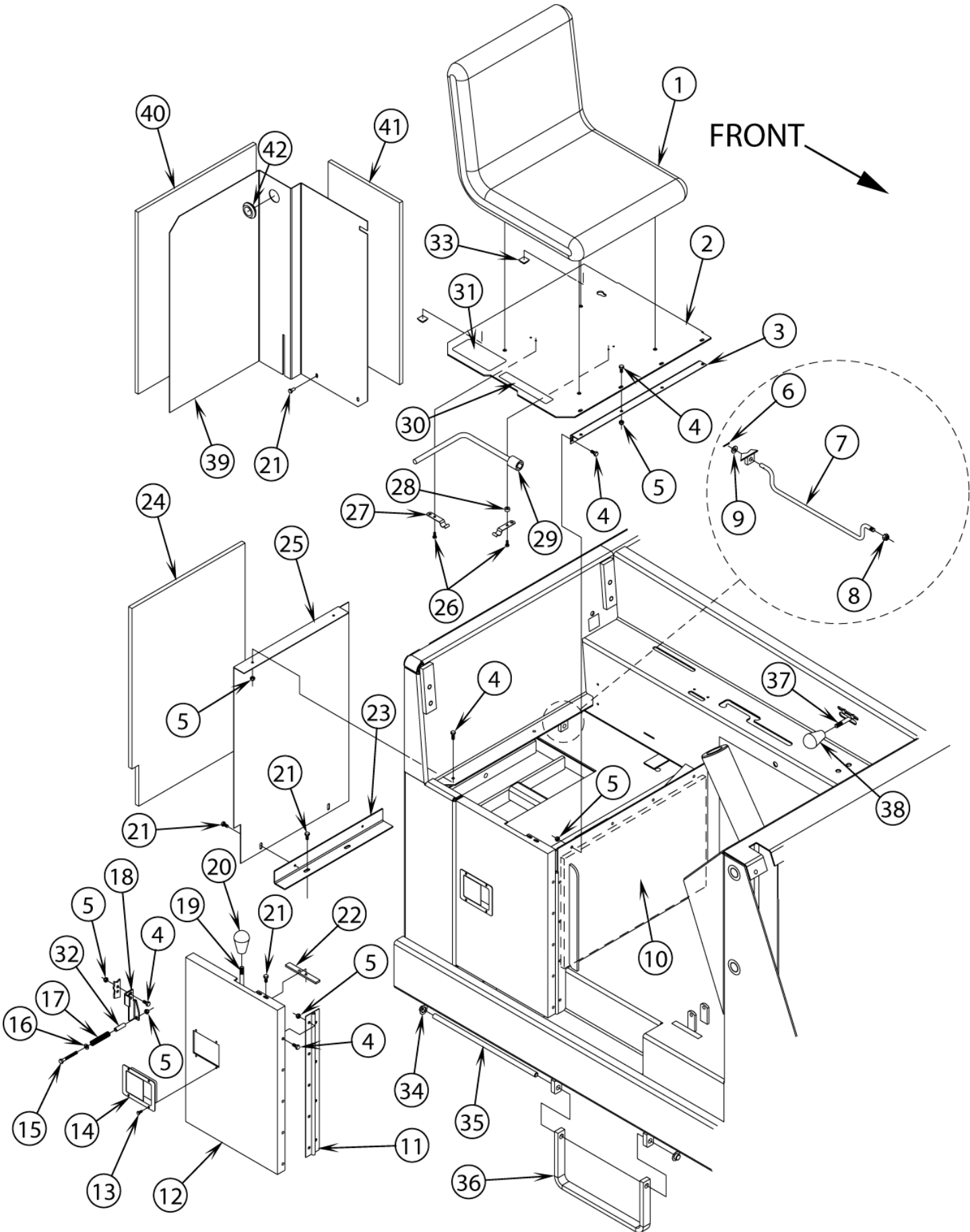
CHASSIS-2

CR 1700 D/G/P

26-02-2015

Part List ID
E11315

6



CHASSIS-2

CR 1700 D/G/P

26-02-2015

Part List ID

E11315

7

Pos	Part no.	Qty	Description	
1	56109294	1	SEAT KIT	Slides with hardware included
1	56109306	1	SEAT BELT KIT	Optional
3	56462753	1	HINGE	
4	56002155	19	SCR HEX 1/4-20 X .75	
5	56002708	22	NUT HEX NYL LOC 1/4-20	
6	56002946	1	PIN COT .06 X 1.00	
7	56462961	1	ROD. PROP	
8	56002769	1	NUT HEX NYL LOC 3/8-16	
9	56002063	1	WSH FLT SAE 3/8	
10	56463713	1	INSULATION	
11	56495876	1	HINGE 2.0 X 18.0	
13	56009012	4	SCR HEX THD FORM 10 24X38	
14	56462326	1	LATCH FLUSH MOUNT	
15	56001856	1	SCR HEX 1/4 20 X 2.25	
16	56002098	1	WSH FLT SAE 1/4	
17	56380732	1	SPRING COM .60X2.00 E00453	
18	56463028	1	CATCH DOOR LATCH PAINT 03	
20	56492792	1	KNOB	
21	56009033	8	SCR HEX THD FORM 1/4 20X.50	
22	56463530	1	ADJUSTER SIDE BROO	
23	56463719	1	ANGLE PANEL MOUNT	
24	56463714	1	INSULATION	
25	56459112	4	GASKET BULB RS	122 cm - Not shown
25	56463715	1	BAFFLE	
26	56009039	4	SCR HEX THD FORM 10-24X .50	
29	56482488	1	TOOL WELDMENT	
31	56015413	1	DECAL L.P.G.	LP
31	56016226	1	DECAL UNLEADED FUEL	Gas
31	56025454	1	DECAL DIESEL FUEL	Fuel - Diesel
32	56468553	1	BUSHING .27X.37X1.3RE651D	
33	56402940	2	BUMPER .812 SQ CR666	
34	56009097	2	NUT PUSH CAP 1/2	
35	56463806	1	PIN	
36	56463808	1	STEP	
38	56492792	1	KNOB	
39	56463695	1	BAFFLE FUEL COMPARTMENT	
40	56463800	1	INSULATION FUEL COMPARTMENT	
41	56463699	1	INSULATION FUEL COMPARTMENT	
42	56486116	1	GROMMET E00059	

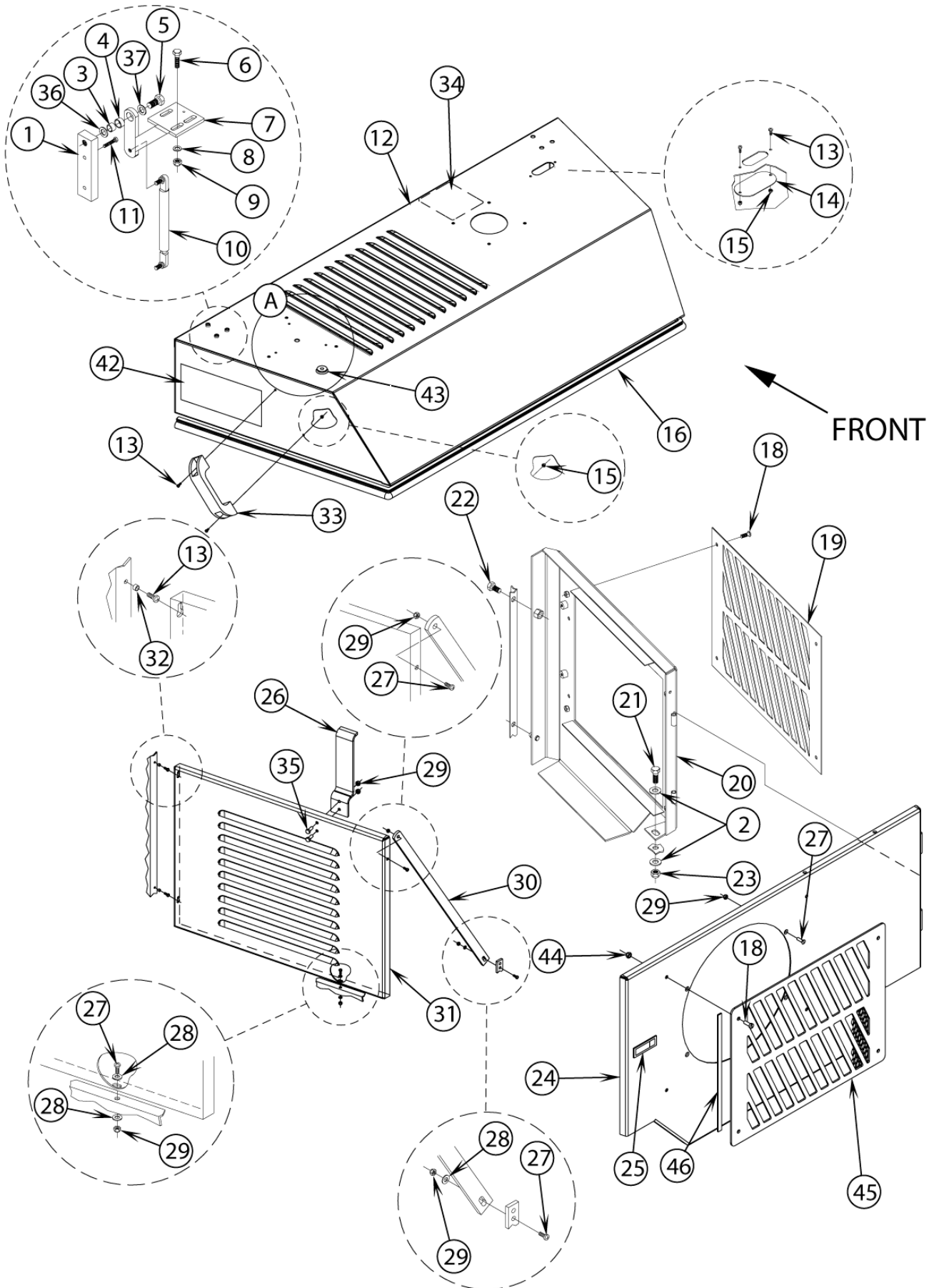
ENGINE HOOD ASSEMBLY

CR 1700 D/G/P

26-02-2015

Part List ID
E11316

8



ENGINE HOOD ASSEMBLY

CR 1700 D/G/P

26-02-2015

Part List ID E11316

9

Pos	Part no.	Qty	Description	
1	56462744	2	BLOCK	
2	56001879	2	WSH FLT SAE 1/2	
3	56367206	2	BUSHING CV32G	
4	56367168	2	BEARING SLEEVE .627CV32DE00202	
5	56003022	2	SCR HEX LOC 1/2-13 X 1.25	
6	56002256	6	SCR HEX TYPE1 3/8-16X 1.00	
7	56463656	1	RIGHT HINGE WLMT.	Not shown
7	56463657	1	LEFT HINGE WLMT.	
8	56002063	6	WSH FLT SAE 3/8	
9	56002769	6	NUT HEX NYL LOC 3/8-16	
10	56385238	2	CYLINDER HOOD	
11	56001878	4	SCR HEX 1/4 20 X 1.25	
12	56463642	1	COVER WELDMENT	Gas/LP
13	56009100	8	SCR PANPHILTHD BLK 10-24X.62	
14	56463663	1	COVER LP RELIEF VALVE	Gas
15	56002832	6	NUT HEX NYL LOC-THIN 10-24	
16	56380530	1	BULB SEAL 100 IN	
17	56002520	1	SCR HEX WSH HD HP5 10-24 X .50	
18	56002793	8	SCR PAN PHIL 5/16-18 X .75	
19	56463702	1	RADIATOR GRILLE	
21	56001968	1	SCR HEX 1/2 13 X 1.50	
22	56001895	1	SCR HEX 1/2 13 X 1.00	
23	56002770	1	NUT HEX NYL LOC 1/2-13	
24	56463649	1	PANEL REAR ENGINE WLMT.	
25	56455979	1	DOOR LATCH LOCKABLE	
26	56463804	1	CATCH LATCH	
27	56002507	12	SCR PAN PHIL 1/4-20 X .75	
28	56002098	4	WSH FLT SAE 1/4	
29	56002708	12	NUT HEX NYL LOC 1/4-20	
30	56463624	2	STRUT SIDE PANEL	
31	56463635	1	LH SIDE DOOR WLMT.	
32	56151092	2	BUSHING .18X.25X.15G31H	
33	56463650	2	HANDLE GRAB	
34	56015424	1	DECAL-WARNING HYDRAULIC	
35	56001854	2	SCR HEX 1/4 20 X .50	
36	56009022	2	WSH FLT .752/.756X1.250X.125	
37	56009017	2	WSH FLT HDN .516X.938X.075	
38	56482464	1	GUARD LIGHT	
39	56009100	3	SCR PANPHILTHD BLK 10-24X.62	
40	56482463	1	LIGHT STROBE	TSBUS2000-743
41	56002768	3	NUT HEX NYL LOC 10-24	
42	56016282	2	DECAL 2067	
42	56016287	2	DECAL CR1700	

ENGINE HOOD ASSEMBLY

CR 1700 D/G/P

26-02-2015

Part List ID E11316

10

Pos	Part no.	Qty	Description
43	56455982	1	LATCH COMPRESSION
44	56002826	4	NUT HEX NYL LOC-THIN 5/16-18
45	56463698	1	GRILL WELDT

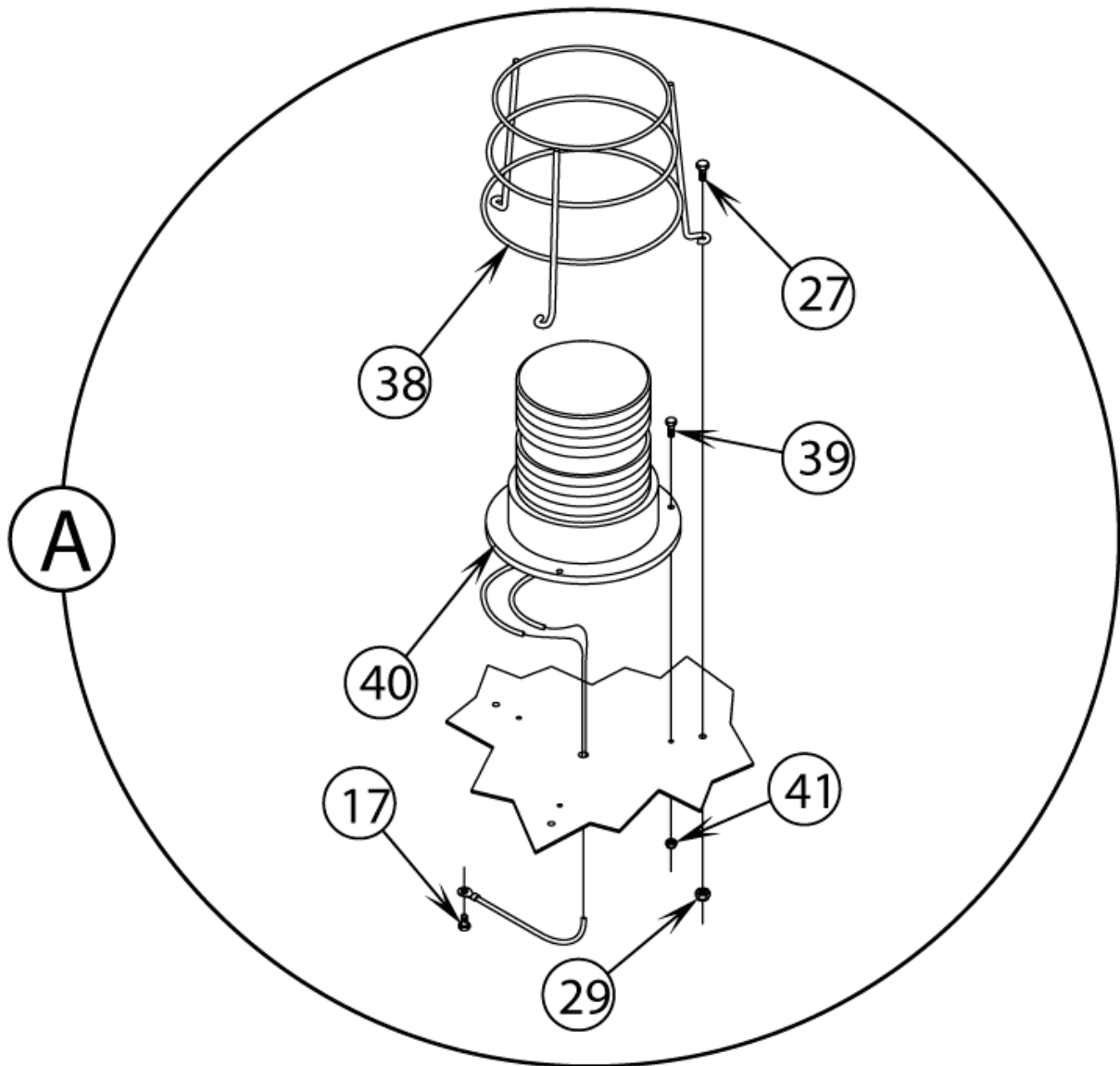
ENGINE HOOD ASSEMBLY

CR 1700 D/G/P

26-02-2015

Part List ID
E11317

11



ENGINE HOOD ASSEMBLY

CR 1700 D/G/P

26-02-2015

Part List ID E11317

12

Pos	Part no.	Qty	Description
17	56009039	1	SCR HEX THD FORM 10-24X .50
27	56002507	12	SCR PAN PHIL 1/4-20 X .75
29	56002708	12	NUT HEX NYL LOC 1/4-20
38	56482464	1	GUARD LIGHT
39	56009100	3	SCR PANPHILTHD BLK 10-24X.62
40	56482463	1	LIGHT STROBE TSBUS2000-743
41	56002832	3	NUT HEX NYL LOC-THIN 10-24

OPERATORS COMPARTMENT

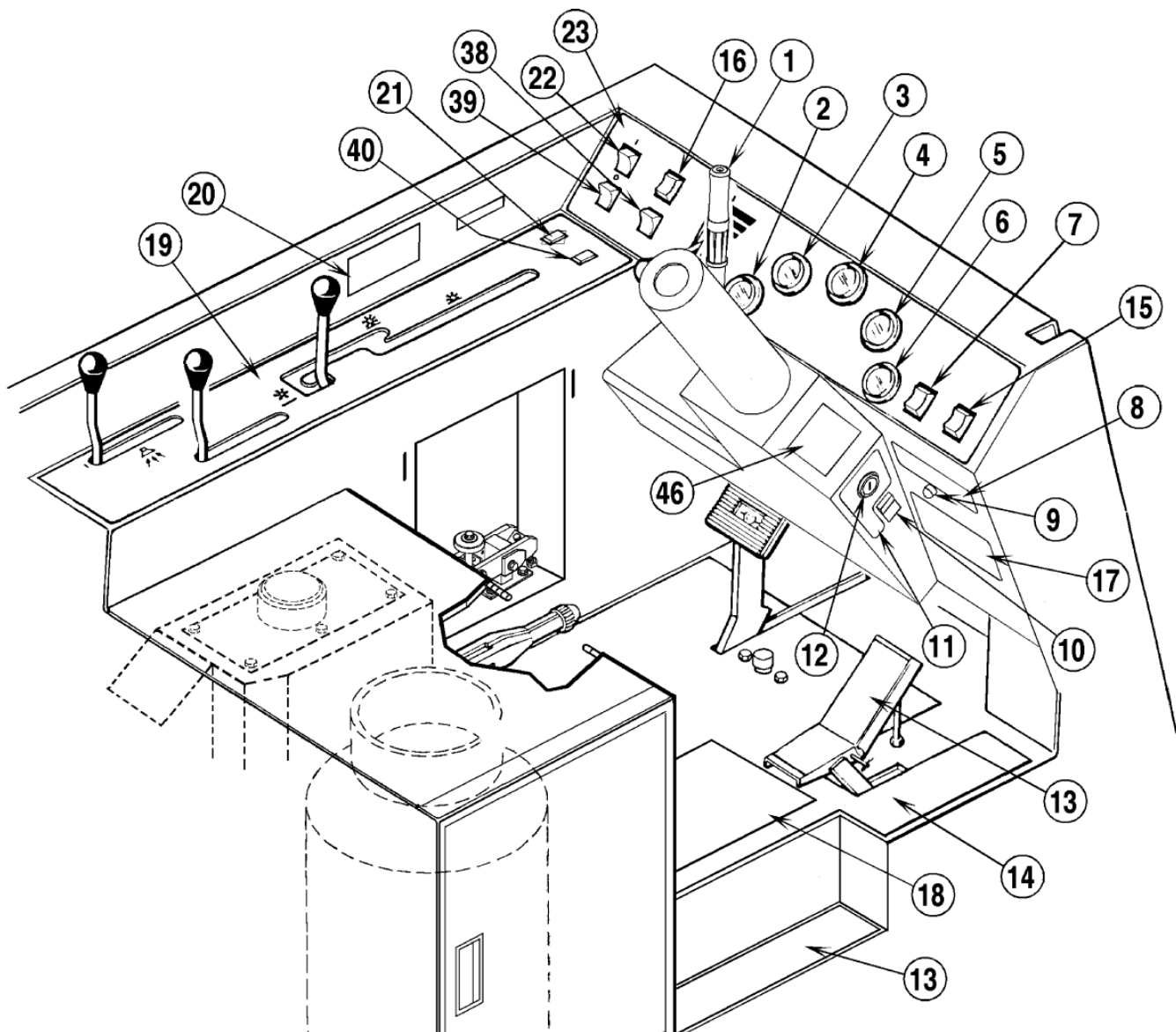
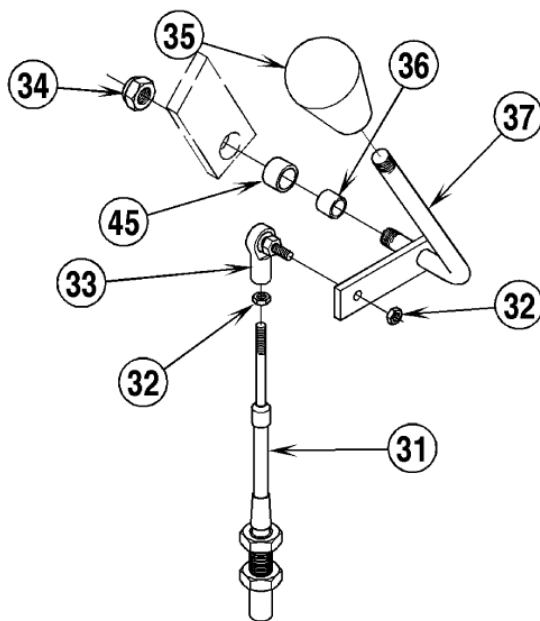
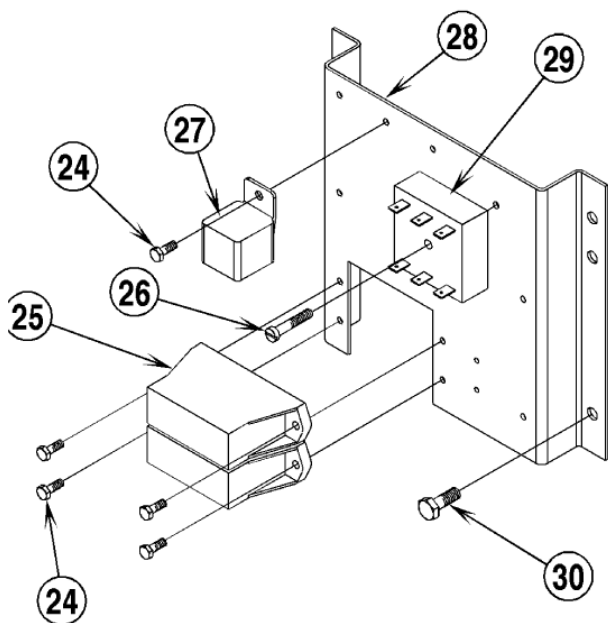
CR 1700 D/G/P

26-02-2015

Part List ID

E11318

13



OPERATORS COMPARTMENT

CR 1700 D/G/P

26-02-2015

Part List ID E11318

14

Pos	Part no.	Qty	Description	
1	56391311	1	GRIP HANDLE	
2	8-48-05032	1	GAUGE-FUEL	
3	56489592	1	GAUGE PRESSURE	
4	56489600	1	GAUGE TEMPERATURE	
5	56482044	1	METER VOLT	
6	56478363	1	METER HOUR	
7	56393492	1	SWITCH ROCKER	Hopper - Open/Close
9	56497755	1	INDICATOR GLO PLUG	Glow Plug / Diesel
10	56393312	1	SWITCH ROCKER	Headlight / Diesel
10	56455819	1	SWITCH ROCKER	Throttle Control / Gas/LP
11	56015738	1	DECAL KEY THROTTLE	Gas/LP
12	56100628	1	KEY SWITCH KIT	Gas/LP
12	56497754	1	KEY SWITCH	Diesel
13	56449958	2	PEDAL MAT CV696C	
14	56462740	1	FLOOR MAT	
15	56393492	1	SWITCH ROCKER	Hopper Up/Down
16	56393492	1	SWITCH ROCKER	Side Broom Up/Down
17	56016070	1	DECAL WEAR ITEMS	Diesel
17	56016071	1	DECAL WEAR ITEMS	Gas/LP
18	56463671	1	COVER FLOOR	
19	56016201	1	DECAL MAIN BROOM	
20	56015427	1	DECAL WARNING TIP O	
21	56483117	1	INDICATOR LAMP RED	Hyd. Oil Temp.
22	56393312	1	SWITCH ROCKER	Side/Main Broom On/Off
23	56016188	1	DECAL INSTRUMENT	
24	56002438	5	SCR HEX THD FORM 8-32 X .50	
25	56900227	2	FUSE HOLDER	
26	56009209	1	SCR PAN PHIL THDFORM10-24X1.00	
27	56491862	1	RELAY W/MTG BRACKET	
29	56491870	1	TIME DELAY	Shaker Motor
30	56009033	4	SCR HEX THD FORM 1/4 20X.50	
31	56488292	1	CABLE	Solution Valve
32	56003053	2	NUT HEX NYL LOC THIN 10 32	
33	56488290	1	ROD END	
34	56002769	1	NUT HEX NYL LOC 3/8-16	
35	56492792	1	KNOB	
36	56388326	1	BUSHING .38X.48X.41	
38	56393312	1	SWITCH ROCKER	Squeegee Up/Down
39	56393312	1	SWITCH ROCKER	Brushes On/Off
40	56483117	1	INDICATOR LAMP RED	Hyd. Filter
41	56009175	2	SCR HEX THD FORM BLK 10 24X.75	Gas/LP
42	56393312	1	SWITCH ROCKER	Headlight / Gas/LP
44	56100036	1	DECAL LIGHT	Located near Key Switch on Diesel

OPERATORS COMPARTMENT

CR 1700 D/G/P

26-02-2015

Part List ID E11318

15

Pos	Part no.	Qty	Description
45	56366633	1	BEARING SLEEVE .501CV26HE00202
46	56016550	1	DECAL BACK UP ALARM

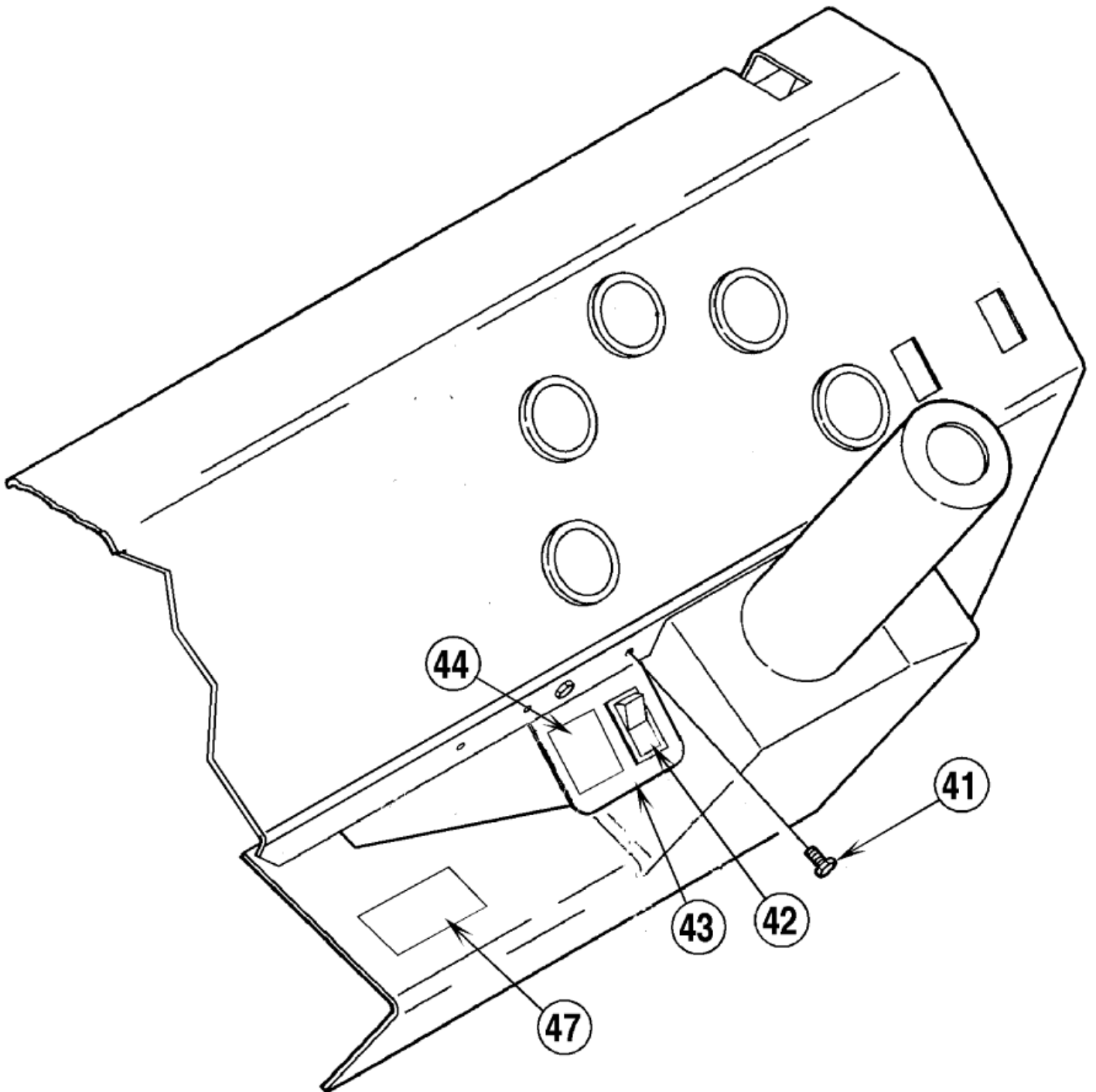
OPERATOR'S COMPARTMENT

CR 1700 D/G/P

26-02-2015

Part List ID
E11319

16



OPERATOR'S COMPARTMENT

CR 1700 D/G/P

26-02-2015

Part List ID E11319

17

Pos	Part no.	Qty	Description	
41	56009175	2	SCR HEX THD FORM BLK 10 24X.75	Gas/LP
42	56393312	1	SWITCH ROCKER	Headlight / Gas/LP
44	56100036	1	DECAL LIGHT	Located near Key switch on Diesel

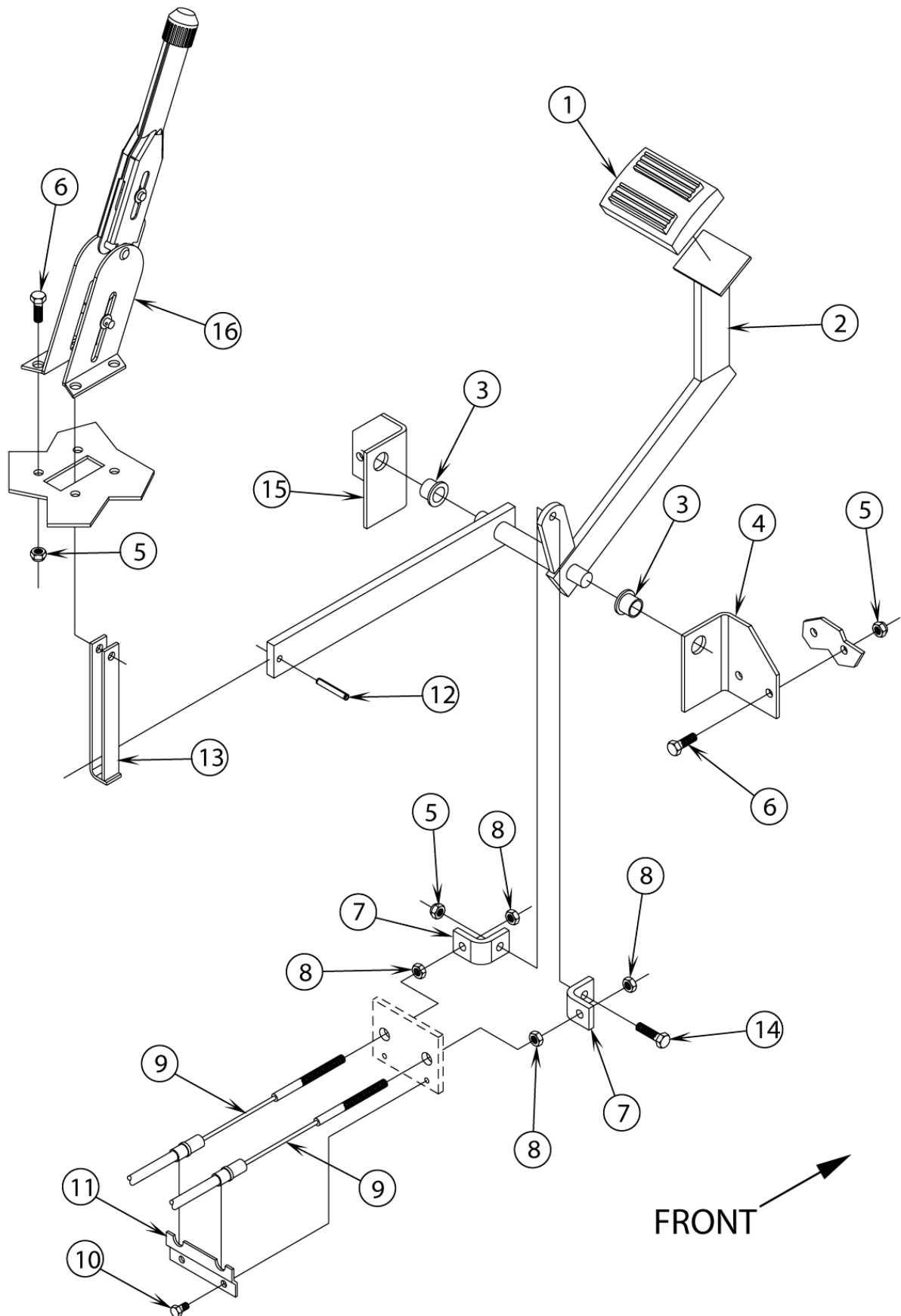
BRAKE PEDAL AND LEVER

CR 1700 D/G/P

26-02-2015

Part List ID
E113111

18



BRAKE PEDAL AND LEVER

CR 1700 D/G/P

26-02-2015

Part List ID
E113111

19

Pos	Part no.	Qty	Description
1	56365002	1	PAD RUBBER
2	56462131	1	BRAKE PEDAL WELDMT.
3	56171095	2	BEARING FLANGE.625 E00201
4	56462136	1	BRACKET RIGHT
5	56002701	9	NUT HEX NYL LOC 5/16-18
6	56002037	8	SCR HEX 5/16-18 X .88
7	56462920	2	ANGLE
8	56002950	4	NUT HEX NYL LOC 5/16-24
9	56486563	2	BRAKE CABLE
10	56009033	2	SCR HEX THD FORM 1/4 20X.50
11	56462921	1	BRACKET CABLE
12	56469872	1	PIN SPR .25X1.
14	56001834	1	SCR HEX 5/16 18 X 1.25
15	56462142	1	BRACKET LEFT
16	56448200	1	LEVER ASSY BRAKE CV618B

STEERING COLUMN ASSEMBLY

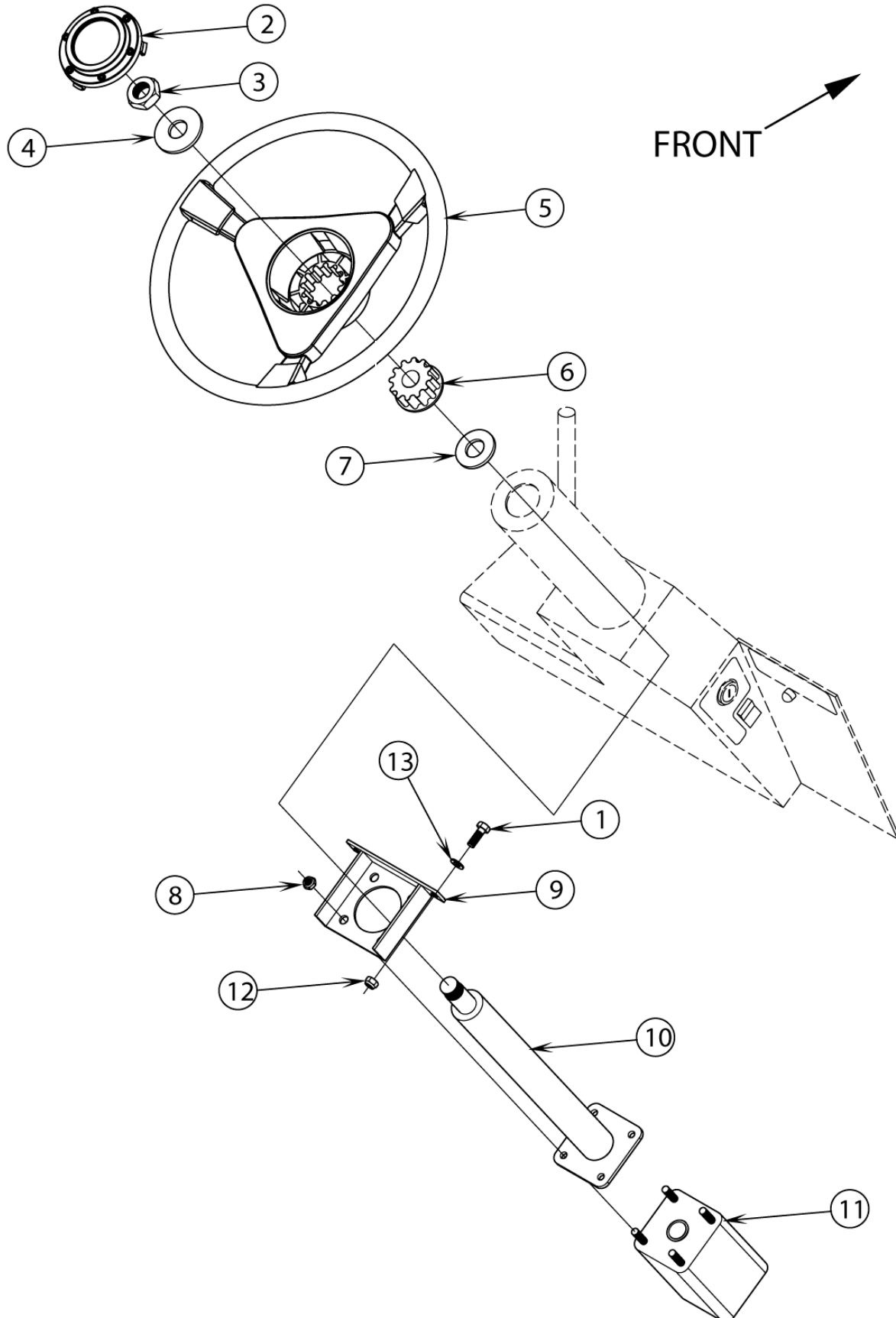
CR 1700 D/G/P

26-02-2015

Part List ID

E113113

20



STEERING COLUMN ASSEMBLY

CR 1700 D/G/P

26-02-2015

Part List ID
E113113

21

Pos	Part no.	Qty	Description
1	56002037	2	SCR HEX 5/16-18 X .88
2	56497543	1	CAP
3	56488795	1	NUT STEERING WHEEL
4	56003342	1	WSH FLT STD 7/8
5	56497306	1	STEERING WHEEL
6	56462378	1	ADAPTOR
7	56002228	1	WSH FLT SAE 7/8
8	56002950	4	NUT HEX NYL LOC 5/16-24
9	56488019	1	PWR. STRG. BRKT.
10	56462376	1	STEERING COLUMN
11	56462377	1	STEERING UNIT
12	56002701	2	NUT HEX NYL LOC 5/16-18
13	56001939	2	WSH FLT SAE 5/16

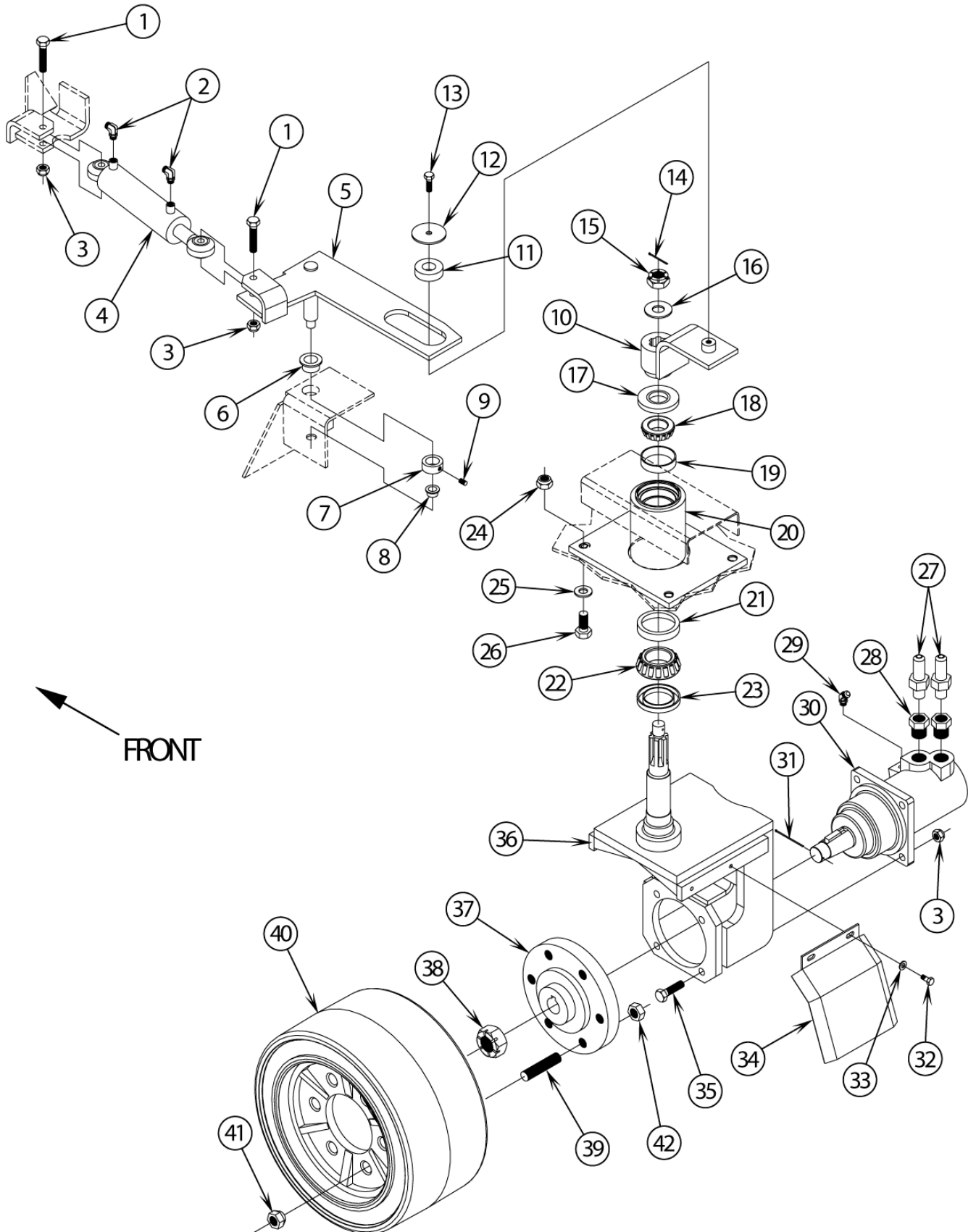
REAR WHEEL & STEERING

CR 1700 D/G/P

26-02-2015

Part List ID
E113115

22



REAR WHEEL & STEERING

CR 1700 D/G/P

26-02-2015

Part List ID
E113115

23

Pos	Part no.	Qty	Description	
1	56002533	2	SCR HEX 1/2-13 X 2.50	
2	56900101	2	ELBOW 90 DEG.O/R 4 E00003	
3	56002770	6	NUT HEX NYL LOC 1/2-13	
4	56463048	1	CYLINDER	Not shown
4	56463366	2	BUSHING	Not shown
4	56463367	1	CYLINDER ASSY.	
5	56462435	1	LEVER WELDMENT	
6	56444944	1	BEARING FLANGE 1.00 E00201	
7	56444820	1	COLLAR 1.0X1.5X.50 CV491FA	
8	56171095	1	BEARING FLANGE.625 E00201	
9	56002021	1	SCR SOC SET LOC 5/16 18 X .38	
10	56462432	1	LEVER WELDMENT	
11	56479430	1	BEARING BALL .9843 RE470AG	
12	56462440	1	WSH FLT ZN .406	
13	56003040	1	SCR HEX LOC 3/8-16 X .62	
14	56002181	1	PIN COT .12 X 1.50	
15	56110817	1	NUT CAS .875-14 THNE9A	
16	56002228	1	WSH FLT SAE 7/8	
17	56486730	1	SEAL SHAFT 2.00	
18	56100631	1	BEARING CONE KIT	
19	56900075	1	BEARING CUP E00135	
20	56463362	1	HOUSING WLD.	
21	56744474	1	BEARING TR CP 3.0627021E00135	
22	56744471	1	BEARING TR CN 1.7817020E00134	
23	56477783	1	SEAL SHAFT RE416JC	
24	56002847	4	NUT HEX NYL LOC SS 5/8 11	
25	56002022	2	WSH FLT SAE 5/8	
26	56001843	4	SCR HEX 5/8 11 X 1.50	
27	56900055	2	CONN EXT O/R 10 E00002	
28	56900605	2	REDUCER W/O RING E00026	
29	56900151	1	ELBOW 45 DEG O/R 4 E00004	
30	56463353	1	MOTOR-HYDR.	
30	56463529	1	REBUILD KIT 4500	For 56463353 - Not shown
31	56002574	1	PIN COT .156X3.	
32	56002956	2	SCR HEX LOC 5/16 18 X .75	
33	56001939	2	WSH FLT SAE 5/16	
34	56100024	1	GUARD HOSE	
35	56001920	4	SCR HEX 1/2 13 X 2.25	
37	56463363	1	HUB WHEEL	
38	56463039	1	NUT HEX SLOTTED	
39	56486716	6	STUD WHEEL	
40	56463354	1	HUB PAINT 03MASK	
40	56463832	1	TIRE 8	

REAR WHEEL & STEERING

CR 1700 D/G/P

26-02-2015

Part List ID E113115

24

Pos	Part no.	Qty	Description
40	56463833	1	WHEEL/HUB ASSY.
41	56486843	6	HEX LUG NUT E00358
42	56009083	6	NUT HEX JAM 3/4 16

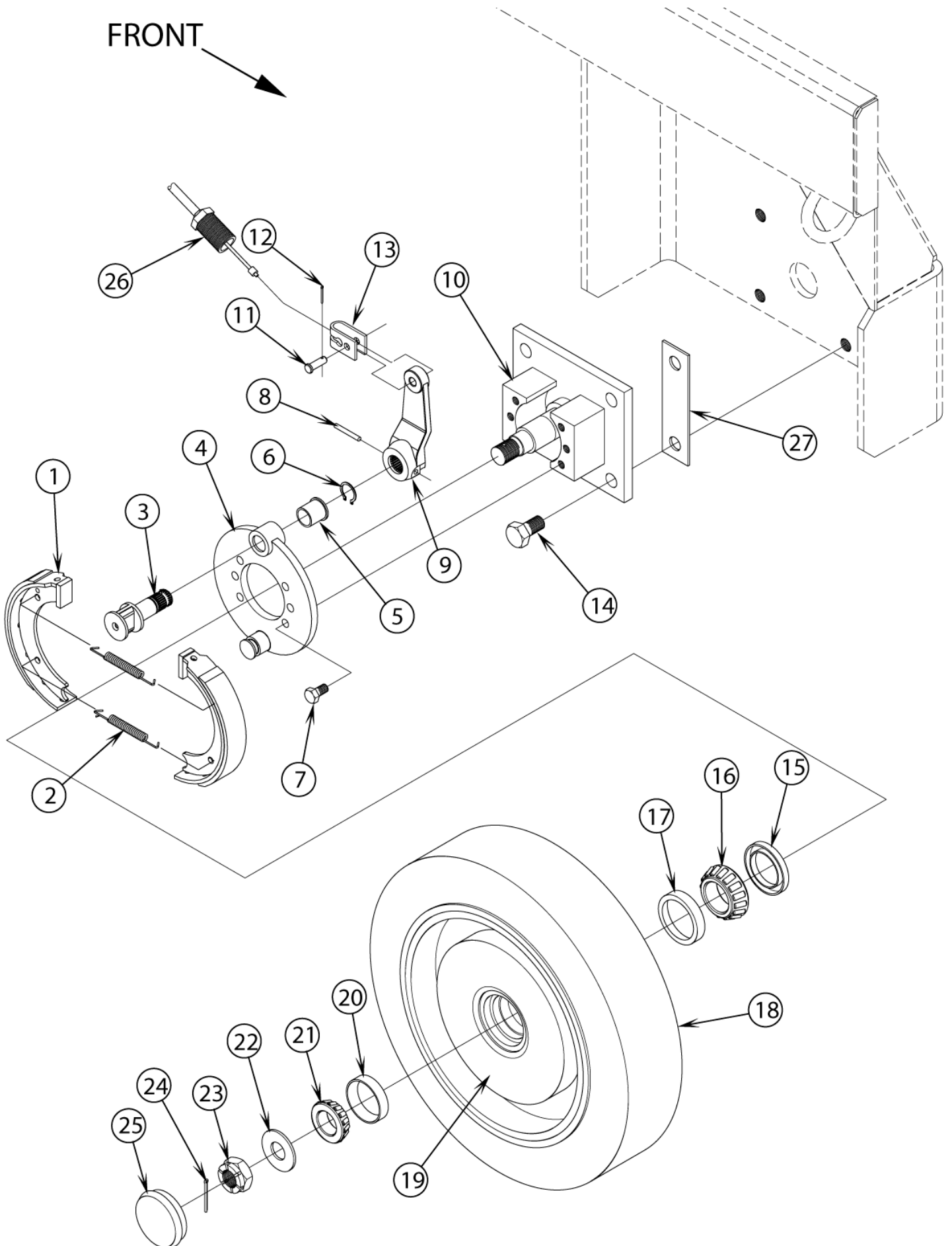
FRONT WHEELS

CR 1700 D/G/P

26-02-2015

Part List ID
E113117

25



FRONT WHEELS

CR 1700 D/G/P

26-02-2015

Part List ID
E113117

26

Pos	Part no.	Qty	Description	
0	56463544	1	AXLE ASSY. RIGHT	Pos. 1-10
0	56463613	2	BRAKE ASSEMBLY	Pos. 1-6
1	8-71-05007	4	BRAKE SHOE	
2	56409491	4	SPRING TENSION	
3	56409681	2	WSH	Not shown
3	56409682	2	CAM	Not shown
3	56409683	2	CAM ASSEMBLY	
4	56463612	2	PLATE WELDMENT	
5	56409472	2	BEARING FLANGE	
6	56003108	2	RING RET EXT. .75DIA	
7	56002271	12	SCR HEX 3/8-16 X .88	
8	56002268	2	PIN SPR .19 X 1.50	
9	56409686	2	ARM BRAKE	
10	56462381	2	AXLE WELDMENT	
11	56493030	2	PIN CLEVIS E00119	
12	56002946	2	PIN COT .06 X 1.00	
13	56493045	2	YOKE BRAKE CABLE	
14	56003276	8	SCR HEX LOC 5/8 11 X 1.00	
14	56462385	2	WHEEL ASSY FRONT	Pos. 15-19
15	56171081	2	SEAL SHAFT 1.750	
16	56158151	2	BEARING TR CN 1.250V51Y E00134	
17	56158143	2	BEARING TR CP 2.44 E00135	
18	56462388	2	TIRE 4	
19	56462386	2	HUB CASTING	
20	56378259	2	BEARING TR CP 1.981 E00135	
21	56448171	2	BEARING CONE E00134	
22	56002228	2	WSH FLT SAE 7/8	
23	56110817	2	NUT CAS .875-14 THNE9A	
24	56002181	2	PIN COT .12 X 1.50	
25	56462696	2	HUB CAP	
26	56462919	2	ADJUSTER BRAKE	
27	56463626	4	SPACER AXLE	

FUEL TANK ASSEMBLY (GAS/ DIESEL)

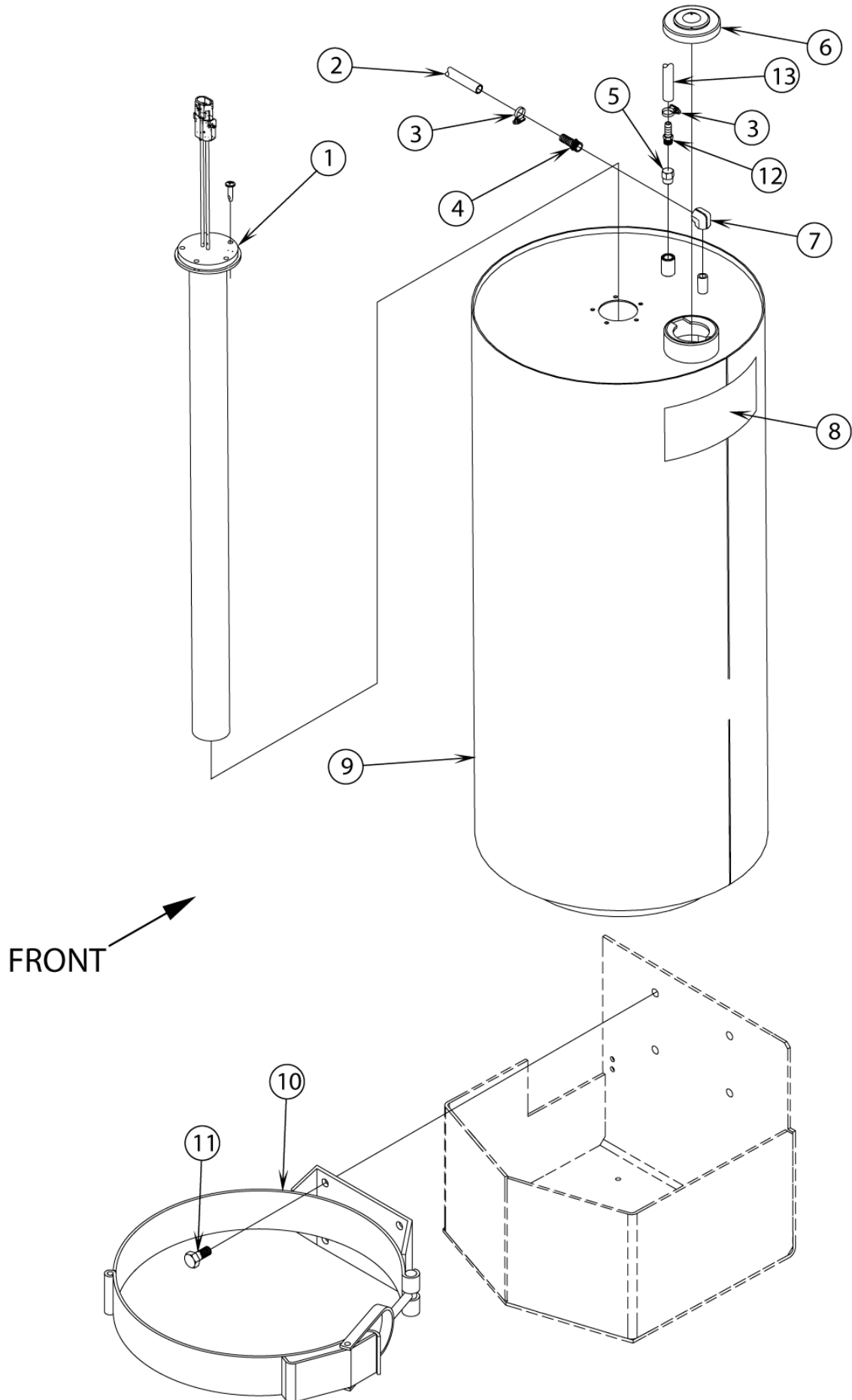
CR 1700 D/G/P

26-02-2015

Part List ID

E113119

27



FUEL TANK ASSEMBLY (GAS/ DIESEL)

CR 1700 D/G/P

26-02-2015

Part List ID

E113119

28

Pos	Part no.	Qty	Description	
0	56455566	1	FUEL TANK ASSY	Gas
0	56463686	1	DIESEL FUEL TANK ASSY	Diesel
1	56455567	1	FUEL LEVEL SENDER ASSY	
2	56481686	1	TUBE RUBBER.312X60 E00556	
3	56219932	2	CLAMP HOSE SAE 6 E00047	Qty. of 4 on Diesel
4	56477523	1	BARB 5/16 X 1/8 E00039	NPT
5	56481546	1	PLUG 1/8 27 NPT E00040	Gas
6	56478502	1	CAP FUEL TANK RE442WC	
7	56111295	1	ELBOW 1/8X90 BRASS E00179	
8	56016226	1	DECAL UNLEADED FUEL	Gas
8	56025454	1	DECAL DIESEL FUEL	Diesel
9	56455521	1	FUEL TANK WELDMENT	
10	56462768	1	CLAMP REAR	
11	56002271	4	SCR HEX 3/8-16 X .88	
12	56369594	1	BARB 1/4X1/8 BRASS E00039	Diesel
13	56370002	6	FLEXIBLE FUEL LINE CV142J	Diesel / 183 cm

FUEL TANK ASSEMBLY (LP)

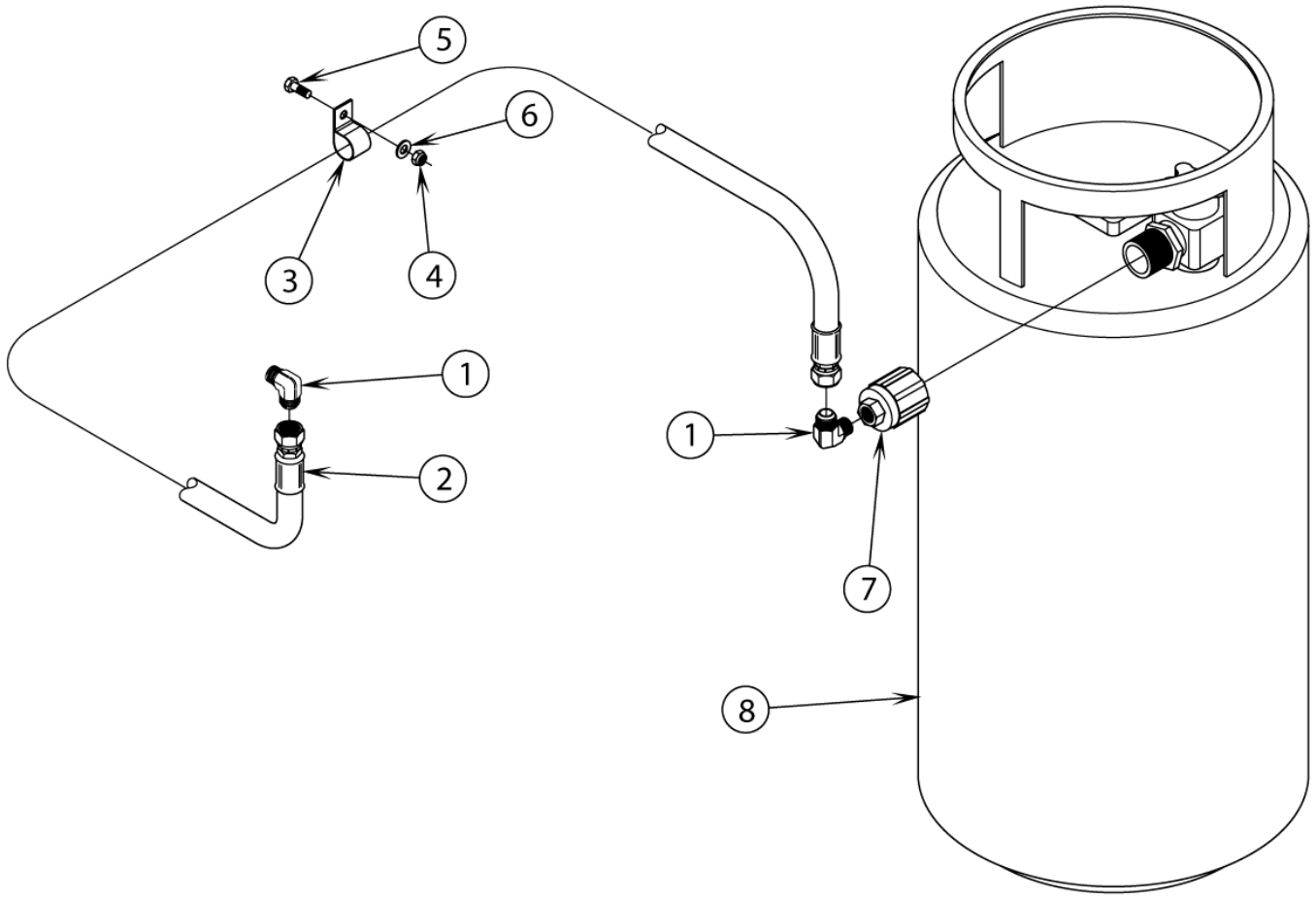
CR 1700 D/G/P

26-02-2015

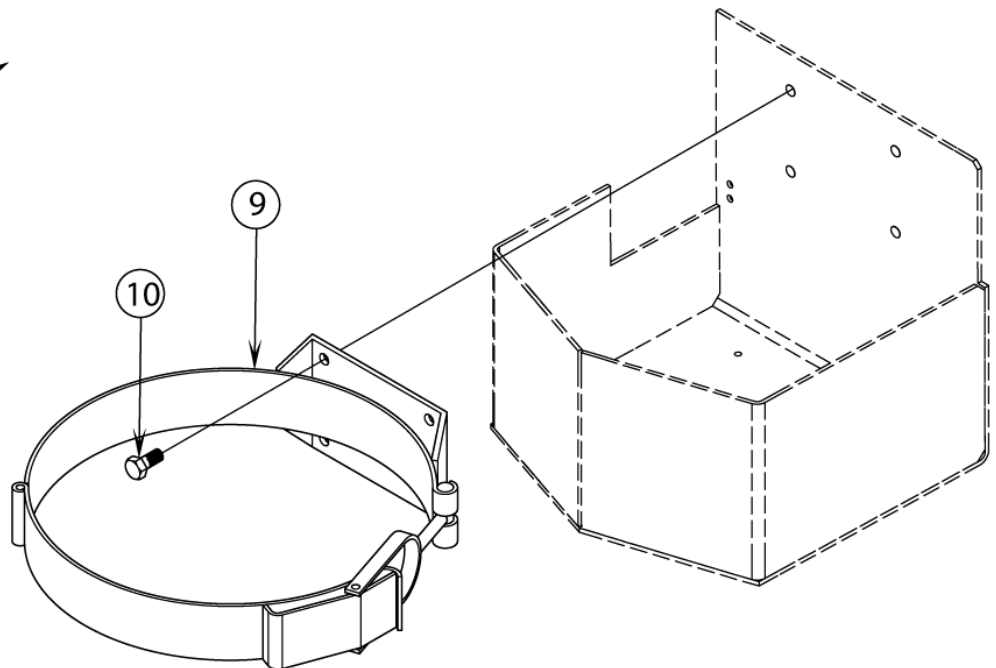
Part List ID

E113121

29



FRONT 



FUEL TANK ASSEMBLY (LP)

CR 1700 D/G/P

26-02-2015

Part List ID

E113121

30

Pos	Part no.	Qty	Description
1	56456608	2	ELBOW 90 DEG-4-6B E00034
2	56456586	1	HOSE ASSEMBLY L.P. E00067
3	56496276	1	CLAMP HOSE SUPPORT
4	56002701	1	NUT HEX NYL LOC 5/16-18
5	56002221	1	SCR HEX 5/16-18 X 1.00
6	56001939	1	WSH FLT SAE 5/16
7	56369675	1	COUPLER FEMALE CV140P
8	56456590	1	L.P. TANK
9	56462768	1	CLAMP REAR
10	56002271	4	SCR HEX 3/8-16 X .88

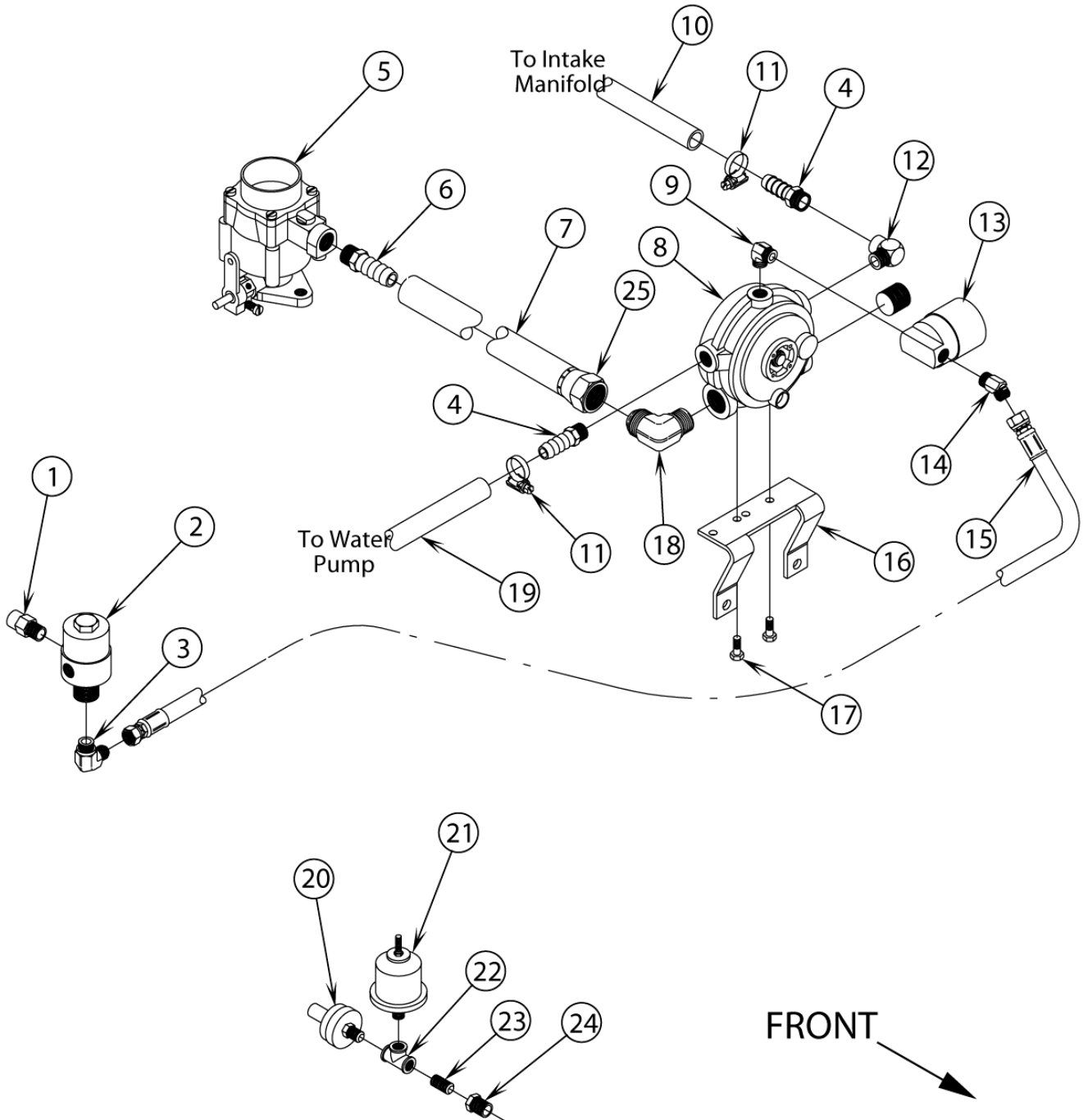
LP SYSTEM

CR 1700 D/G/P

26-02-2015

Part List ID
E113123

31



LP SYSTEM

CR 1700 D/G/P

26-02-2015

Part List ID
E113123

32

Pos	Part no.	Qty	Description	
1	56456624	1	VENT 1/4 NPT	NPT
2	56456622	1	FUEL FILTER	
3	56456608	1	ELBOW 90 DEG-4-6B E00034	
4	56456436	2	BARB HOSE E00039	
5	56462060	1	CARBURETOR-PROPANE	
6	56443972	1	BARB 1/2X3/8 BRASS E00039	
7	56456596	1	801 PUSH LOK HOSE 8 E00077	
8	56456628	1	REGULATOR	
9	56456610	1	ELBOW 90 DEG-4-4B	
10	56462069	1	HOSE E00538	
11	56112771	4	CLAMP HOSE SAE 10 E00047	
12	56900021	1	ELBOW STR 90 DEG. E00031	
13	56456626	1	SAFETY SHUT-OFF VALVE	
14	56456598	1	ELBOW MALE 45 DEG E00238	
15	56456591	1	HOSE 5/16 X 28.0 E00067	
16	56462059	1	BRKT. REGULATOR	
17	56001854	2	SCR HEX 1/4 20 X .50	
18	56456602	1	ELBOW 90 DEG 8 8B E00034	
19	56419626	1	HOSE HEATER E00538	
20	56493146	1	PRESSURE SWITCH	
21	56478698	1	SENDER PRESS 0 80 RE446N	
22	56752020	1	TEE 1/8 BRASS 4078 E00032	
23	56750746	1	NIPPLE 1/8 CLOSE 3189 E00057	
24	56740214	1	BUSHING PIPE BR .25X .12	
25	56100026	1	COVER FUEL PUMP	Not shown
25	56100027	1	GASKET FUEL PUMP	For 56100026 - Not shown
25	56456618	1	SWIVEL 8 8 B E00076	

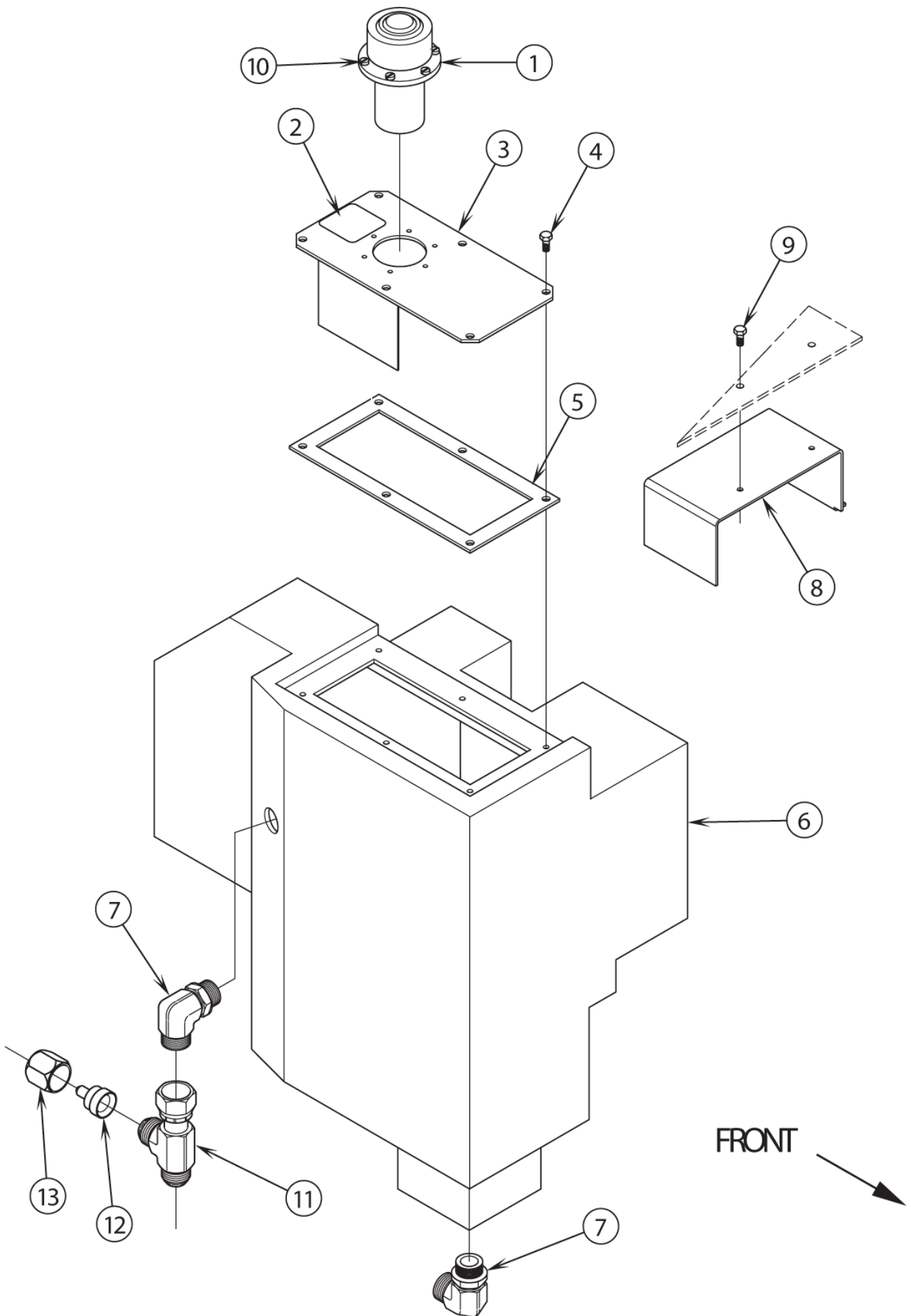
HYDRAULIC OIL RESERVOIR ASSEMBLY

CR 1700 D/G/P

26-02-2015

Part List ID
E113125

33



HYDRAULIC OIL RESERVOIR ASSEMBLY

CR 1700 D/G/P

26-02-2015

Part List ID

E113125

34

Pos	Part no.	Qty	Description	
0	56463108	1	RESERVOIR ASSY.	Pos. 1-7
1	56479656	1	FILLER CAP RE483B	
2	56015589	1	DECAL OIL FILL	
3	56463022	1	COVER WLD.	
4	56009018	8	SCR HEX THD FORM 1/4-20X .75	
5	56209435	1	GASKET	
6	56463098	1	HYD. RESERVOIR	
7	56463423	2	LOCKNUT BULKHEAD E00598	Not shown
7	56463424	2	WASHER	Not shown
7	56900106	2	ELBOW 90DEG.O/R 12 E00003	
8	56463343	1	BRACE	
9	56003039	2	SCR HEX LOC 1/4-20 X .50	
10	56009039	6	SCR HEX THD FORM 10-24X .50	
11	56900346	1	TEE RUN W/NUT E00009	After SN1808901
12	56900467	1	REDUCER E00015	After SN1508901
13	56900506	1	NUT E00016	After SN1508901

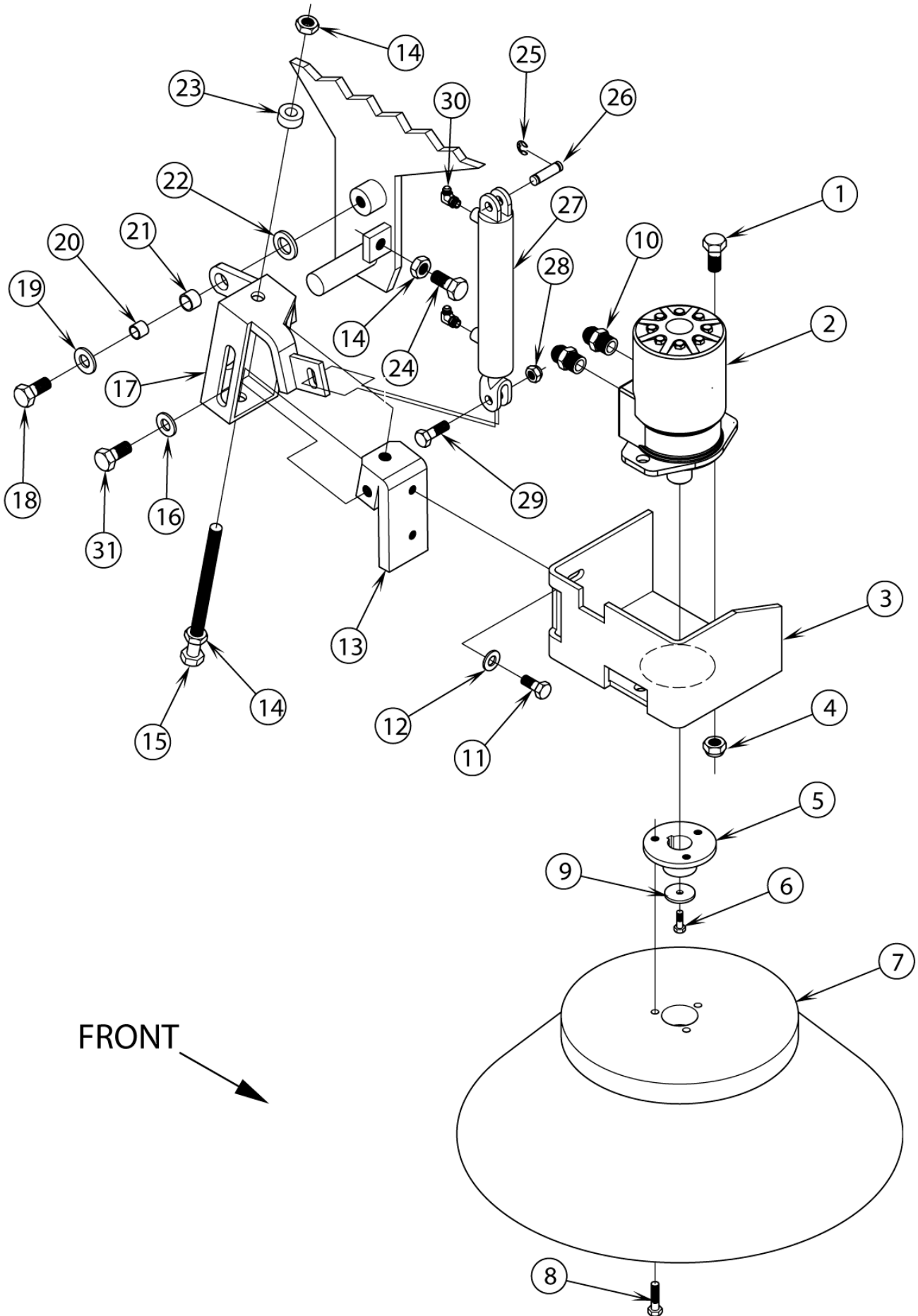
SIDE BROOM ASSEMBLY

CR 1700 D/G/P

26-02-2015

Part List ID
E113127

35



SIDE BROOM ASSEMBLY

CR 1700 D/G/P

26-02-2015

Part List ID
E113127

36

Pos	Part no.	Qty	Description	
1	56001831	2	SCR HEX 1/2 13 X 1.25	
2	56463666	1	HYDRAULIC MOTOR	
2	56463667	1	SEAL KIT	Not shown
3	56463532	1	MOUNT WLMT. RIGHT	
3	56463533	1	MOUNT WLMT. LEFT	Not shown
4	56002770	2	NUT HEX NYL LOC 1/2-13	
5	56479948	1	HUB RE490KBX	
6	56002948	1	SCR HEX LOC 1/4 20 X 0.75	
7	56462252	1	BROOM POLY SIDE	
7	56505629	1	BROOM SIDE WHITE CRIMPED	Optional
8	56003321	3	SCR HEX LOC 5/16-18 X 1.25	
9	56009199	1	WSH FLT BRASS .266X1.250X 125	
10	56900014	2	CONNECTOR O/R 6 10 E00001	
11	56002663	2	SCR HEX 3/8-16 X 1.00	
12	56002063	2	WSH FLT SAE 3/8	
14	56002770	3	NUT HEX NYL LOC 1/2-13	
15	56462926	1	BOLT HEX HD	
16	56009017	1	WSH FLT HDN .516X.938X.075	
17	56462046	1	RT. SIDE BRM. LIFT WLMT.	
19	56001879	1	WSH FLT SAE 1/2	
20	56367206	1	BUSHING CV32G	
21	56462848	1	BUSHING	
22	56009022	1	WSH FLT .752/.756X1.250X 125	
23	56152811	1	COLLAR PC9A	
24	56001895	1	SCR HEX 1/2 13 X 1.00	
25	56003262	2	RING RET EXT TYPE E	
27	56462262	1	CYLINDER HYDRAULIC	
28	56003219	1	NUT HEX NYL LOC SS 3/8 16	
29	56002095	1	SCR HEX 3/8-16 X 1.50	
30	56900101	2	ELBOW 90 DEG.O/R 4 E00003	
31	56003083	1	SCR HEX LOC 1/2-13 X 1.00	

Note: All quantities represent one side broom assembly only.

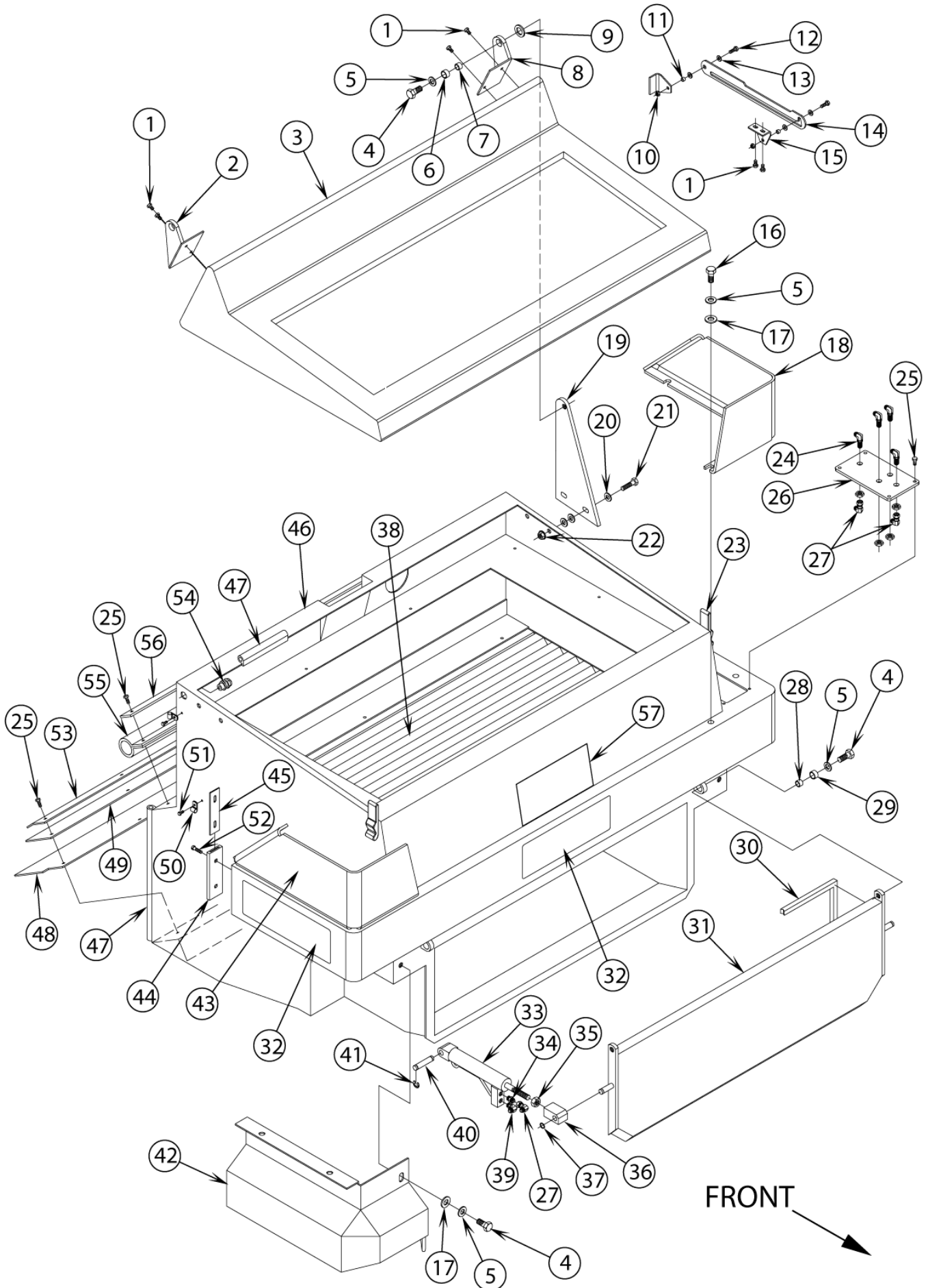
HOPPER ASSEMBLY

CR 1700 D/G/P

26-02-2015

Part List ID
E113129

37



HOPPER ASSEMBLY

CR 1700 D/G/P

26-02-2015

Part List ID
E113129

38

Pos	Part no.	Qty	Description	
0	56462367	1	HOPPER CORD ASSY.	Not shown
1	56009033	12	SCR HEX THD FORM 1/4 20X.50	
2	56462307	1	HINGE WELDMENT RH	
3	56462311	1	HOOD	
4	56003022	10	SCR HEX LOC 1/2-13 X 1.25	
5	56009017	16	WSH FLT HDN .516X.938X.075	
6	56367168	2	BEARING SLEEVE .627CV32DE00202	
7	56367206	2	BUSHING CV32G	
8	56462310	1	HINGE WELDMENT LH	
9	56009022	2	WSH FLT .752/.756X1.250X.125	
10	56002840	2	NUT HEX NYL LOC-THIN 1/4-20	
11	56206784	2	BUSHING SP626C	
12	56002155	2	SCR HEX 1/4-20 X .75	
13	56002098	4	WSH FLT SAE 1/4	
14	56462322	1	LATCH	
15	56462292	1	BRACKET PROP ROD	
16	56003083	6	SCR HEX LOC 1/2-13 X 1.00	
17	56001879	12	WSH FLT SAE 1/2	
18	56462821	1	PYLON LEFT	
19	56462312	2	PLATE HINGE	
20	56002063	12	WSH FLT SAE 3/8	
21	56001858	4	SCR HEX 3/8 16 X 1.25	
22	56001894	4	NUT HEX SERRATED 3/8 16	
23	56003093	4	SCR PAN PHIL PLAST 8-15 X .50	Not shown
23	56009051	4	SCR PAN PHIL THD FORM 8-32X.38	Not shown
23	56462316	2	LATCH	
24	56900401	8	ELBOW UNION 4 E00012	
25	56009018	18	SCR HEX THD FORM 1/4-20X .75	
26	56100025	2	PLATE	
27	56900301	6	ELBOW 90D W/NUT 4 E00007	
28	56360627	2	BUSHING .50X.62X.41CT32G	
29	56370878	2	BEARING SLEEVE .627CV213FE0202	
30	56478969	1	GASKET 1/2X1/2X300 RE450L	
31	56462299	1	DUMP DOOR WELDMEMT	
32	56015428	3	DECAL-WARNING-HOPPER	
33	56492477	2	CYLINDER DUMP	
34	56900001	2	CONNECTOR O RING 4 E00001	
35	56009089	2	NUT HEX JAM 1/2 20	
36	56484047	2	TANG ROD CYL.	
37	56003255	2	RING RET EXT	
38	56463005	1	PREFILTER WLD.	
39	56900101	2	ELBOW 90 DEG.O/R 4 E00003	
40	56462298	2	PIN-CYLINDER DUMP	

HOPPER ASSEMBLY

CR 1700 D/G/P

26-02-2015

Part List ID
E113129

39

Pos	Part no.	Qty	Description
41	56003264	4	RING RET EXT TYPE E
42	56462036	1	LT. BROOM GUARD WLD Not shown
42	56462037	1	RT. BROOM GUARD WLD
43	56462820	1	PYLON RIGHT
44	56463425	2	BUMPER
45	56463426	2	PLATE
47	56380532	1	BULB SEAL 192 IN
48	56462319	1	BLADE HOPPER PU
49	56462320	1	BLADE HOPPER NEOPRENE
50	56342319	3	CLAMP CABLE .375 E00129
51	56009039	4	SCR HEX THD FORM 10-24X .50
52	56002292	4	SCR PAN PHIL 1/4-20 X 1.00
53	56462321	1	STRAP HOPPER BOTTOM
55	56462317	1	BLADE HOPPER PU
56	56462318	1	STRAP HOPPER TOP

DUST CONTROL FILTER ASSEMBLY

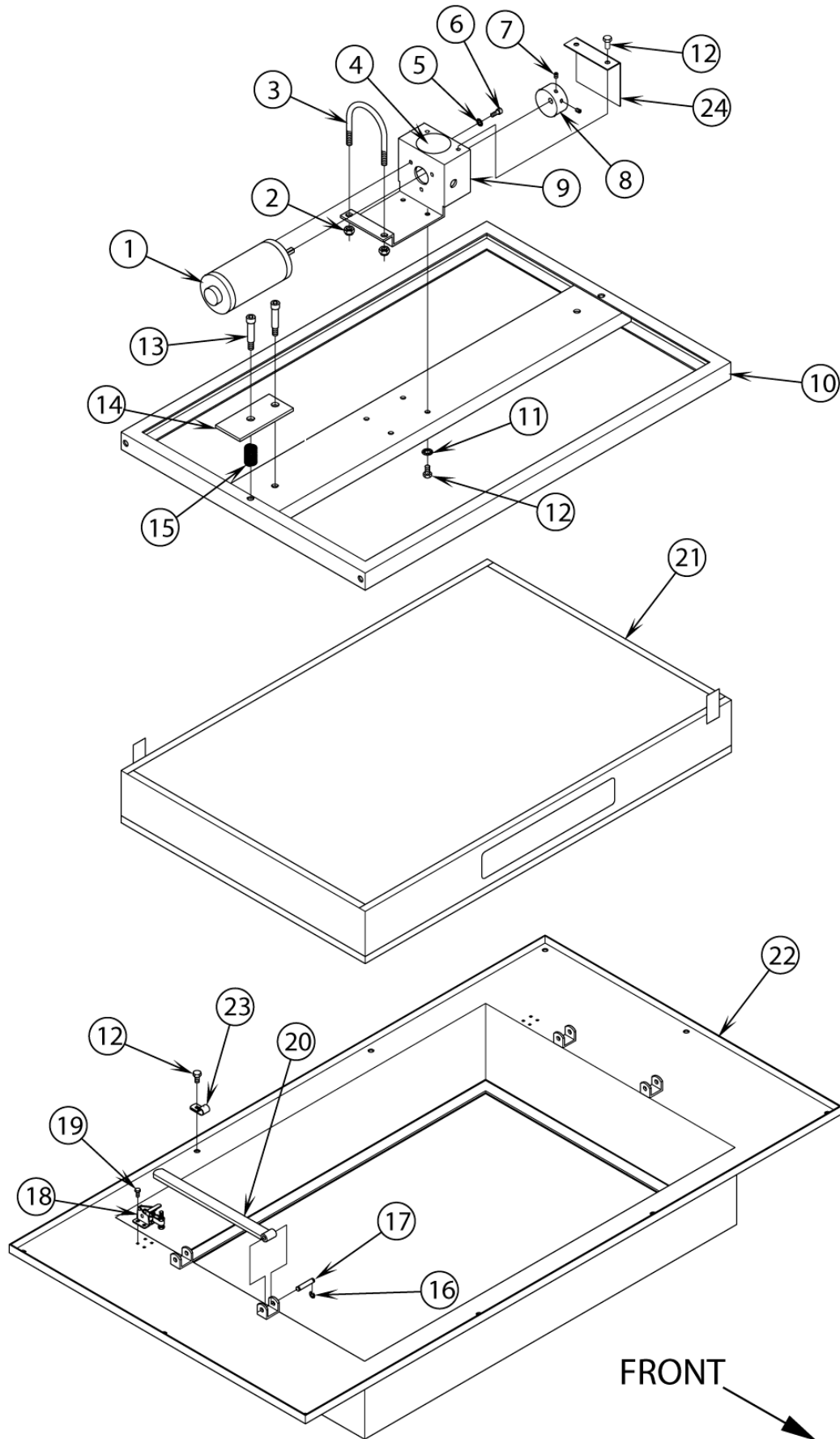
CR 1700 D/G/P

26-02-2015

Part List ID

E113131

40



DUST CONTROL FILTER ASSEMBLY

CR 1700 D/G/P

26-02-2015

Part List ID
E113131

41

Pos	Part no.	Qty	Description	
0	56482306	1	HOLD DOWN ASSY	Pos. 1-15
1	56491820	1	MOTOR 12V DC	
1	56491823	1	MOTOR BRUSH SET	Not shown
2	56002701	2	NUT HEX NYL LOC 5/16-18	
3	56468329	1	U-BOLT	
4	56030080	1	DECAL HANDS CLEAR	
5	56009011	3	WSH INT SHPRF 10	
6	56002672	3	SCR SOC HD 10 32 X .50	
7	56009084	2	SCR SOC SET LOC 10-24X19	
8	56491822	1	ECCENTRIC	
9	56468331	1	MOUNT MOTOR	
10	56482102	1	HOLD DOWN WELDMENT	
11	56009064	4	WSH INT SHPRF 1/4	
12	56009033	16	SCR HEX THD FORM 1/4 20X.50	
13	56002624	4	SCR SOC SHD.38X1.25X5/16-18	
14	56489109	2	BRACKET	
15	56171177	2	SPRING COM .75X1.00 E00453	
16	56003268	4	RING RET EXT TYPE E REINF	
18	56491860	2	CLAMP HOLD DOWN	
19	56009075	8	SCR HEX THD FORM 8-32X.38	
20	56491848	2	LEVER WELDMT.	
21	56023320	1	DECAL FILTER	
21	56482120	1	GASKET .50X.50X97.5	
21	56482305	1	FILTER PANEL ASSY.	
22	56482301	1	FILTER HSG. WELDMT CODE 07	NOTE
23	56342319	1	CLAMP CABLE .375 E00129	
24	56463805	1	COVER SHAKER	

NOTE: When installing item 15, apply a bead of silicon rubber underneath to seal it to the hopper weldment.

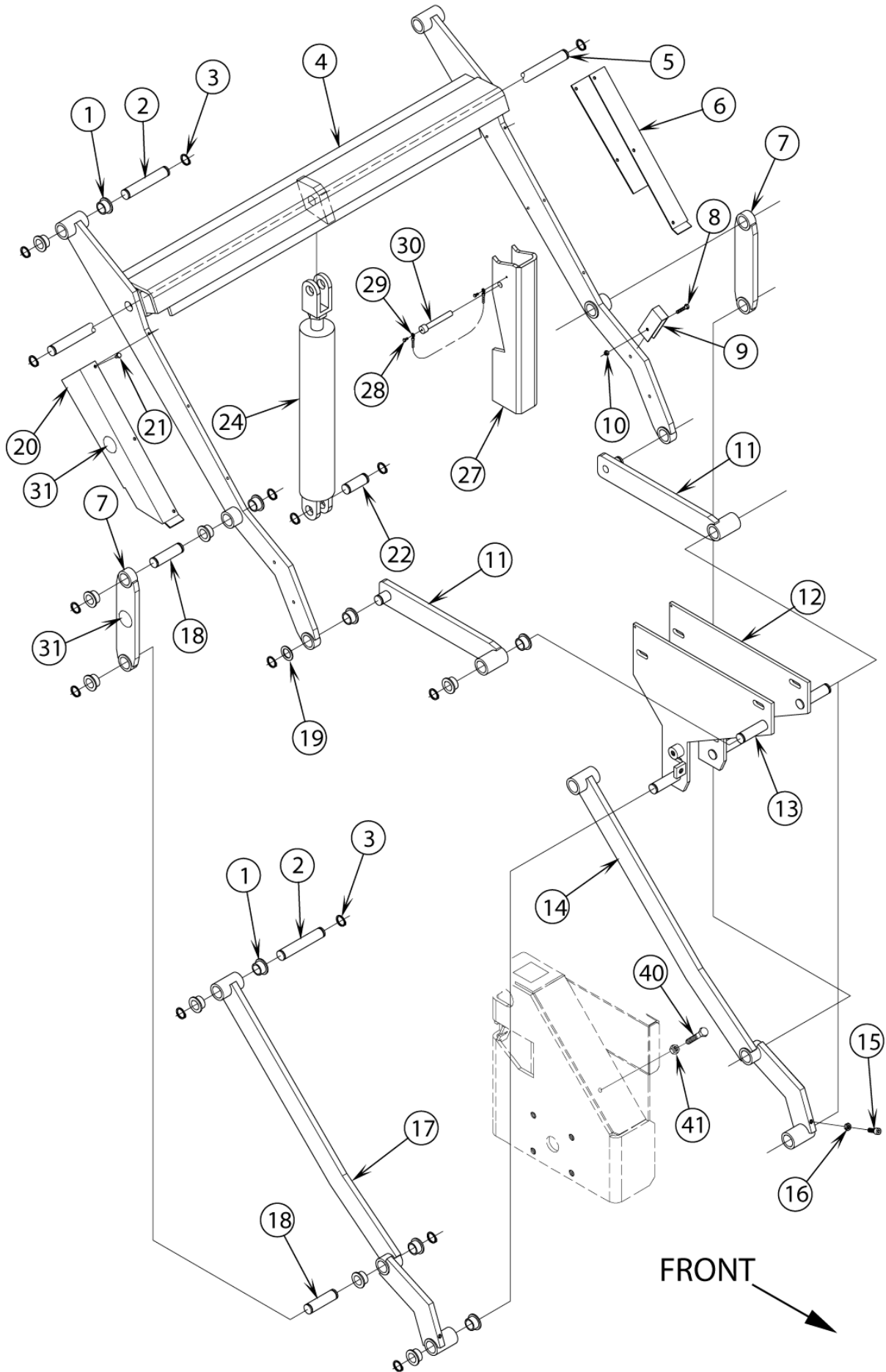
HOPPER LIFT ARMS

CR 1700 D/G/P

26-02-2015

Part List ID
E113132

42



HOPPER LIFT ARMS

CR 1700 D/G/P

26-02-2015

Part List ID

E11313Z

43

Pos	Part no.	Qty	Description
1	56444944	30	BEARING FLANGE 1.00 E00201
2	56462708	4	PIN ARM
3	56003258	26	RING RET EXT
4	56462208	1	ARM WELDMENT
5	56462707	1	PIN CYLINDER LONG
6	56462716	1	SHIELD HOSE LH
8	56001878	4	SCR HEX 1/4 20 X 1.25
9	56462586	4	BRACKET
10	56002708	6	NUT HEX NYL LOC 1/4-20
11	56462203	2	HOPPER ARM WLDM.
12	56462710	1	PLATE WLMT. LEFT
13	56462713	1	LIFT PLATE WLD. RT.
14	56462201	1	LOWER LEFT ARM WLDM
15	56002752	2	SCR SOC HD 3/8-16 X 1.00
16	56002769	2	NUT HEX NYL LOC 3/8-16
17	56462193	1	LOWER RT ARM WLD.
18	56462709	4	PIN LOWER ARM
19	56494001	2	BEARING THRUST E00203
20	56462717	1	SHIELD HOSE RH
21	56009033	10	SCR HEX THD FORM 1/4 20X.50
22	56418625	1	PIN CYLINDER SHORT
23	56900001	1	CONNECTOR O RING 4 E00001
24	56100038	1	CYLINDER HYD
25	56900341	1	TEE RUN W/NUT 4 E00009
26	56900101	1	ELBOW 90 DEG.O/R 4 E00003
28	56002438	2	SCR HEX THD FORM 8-32 X .50
29	56209603	1	CHAIN HP505C
29	56311057	2	COUPLER CHAIN TR330D
30	56100000	1	PIN
31	56030080	4	DECAL HANDS CLEAR
32	56463420	1	CLAMP MUFFLER
33	56900110	2	ELBOW 90DEG O/R 4 6 E00003
34	56463416	1	ACCUMULATOR
35	56463419	1	SOLENOID VALVE ASSY
36	56463421	2	BRACKET SPACER
37	56462406	2	HOSE 1/4 X 13 E00021
38	56900011	1	CONNECTOR 4 6 E00001
39	56001967	2	SCR HEX 1/4 20 X 1.75
40	56001831	2	SCR HEX 1/2 13 X 1.25
41	56001890	2	NUT HEX JAM HVY 1/2 13

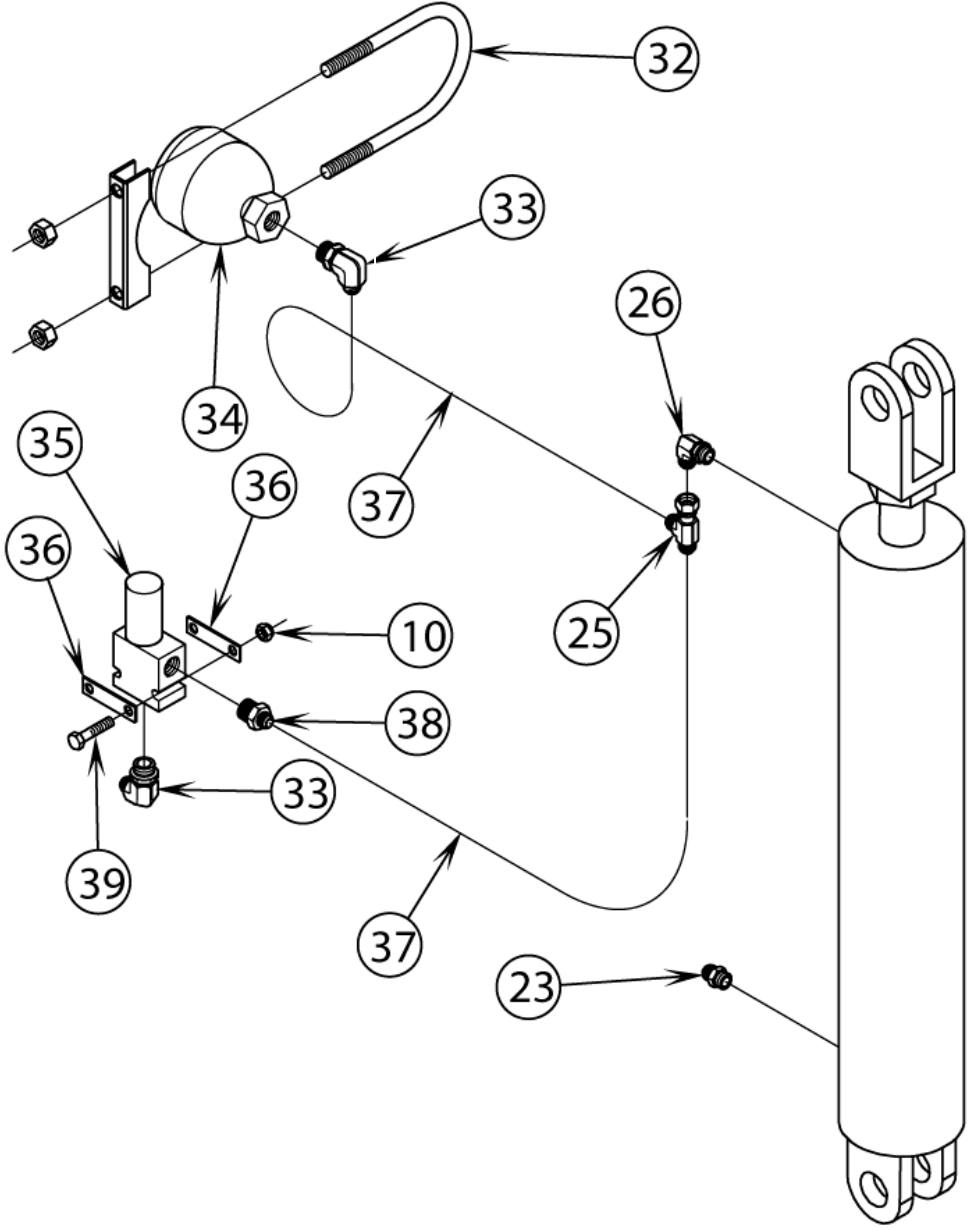
HOPPER LIFT ARMS

CR 1700 D/G/P

26-02-2015

Part List ID
E113133

44



HOPPER LIFT ARMS

CR 1700 D/G/P

26-02-2015

Part List ID

E113133

45

Pos	Part no.	Qty	Description
10	56002708	6	NUT HEX NYL LOC 1/4-20
23	56900001	1	CONNECTOR O RING 4 E00001
25	56900341	1	TEE RUN W/NUT 4 E00009
26	56900101	1	ELBOW 90 DEG.O/R 4 E00003
32	56463420	1	CLAMP MUFFLER
33	56900110	2	ELBOW 90DEG O/R 4 6 E00003
34	56463416	1	ACCUMULATOR
35	56463419	1	SOLENOID VALVE ASSY
36	56463421	2	BRACKET SPACER
37	56462406	2	HOSE 1/4 X 13 E00021
38	56900011	1	CONNECTOR 4 6 E00001
39	56001967	2	SCR HEX 1/4 20 X 1.75

MAIN BROOM LEVER ASSEMBLY

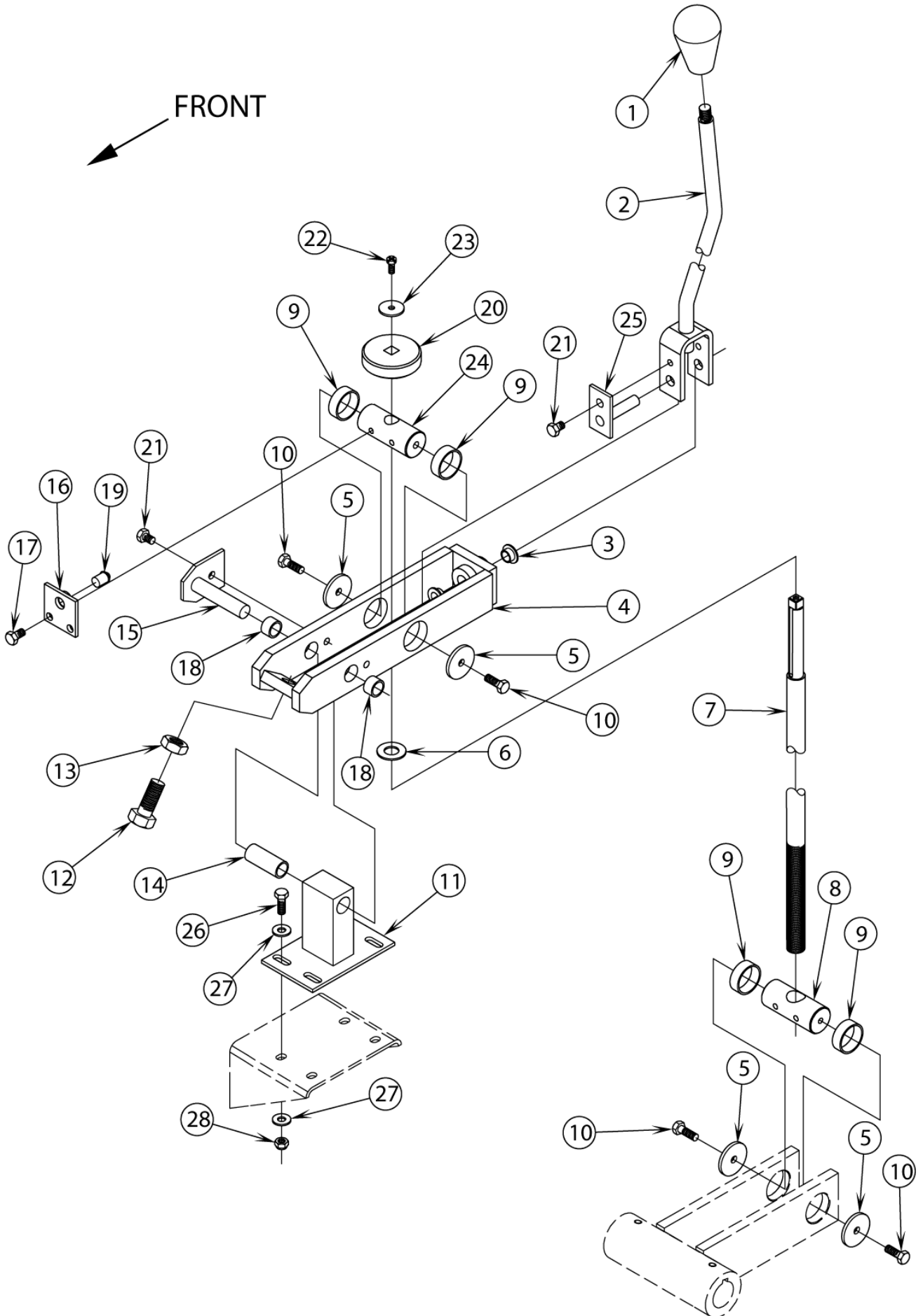
CR 1700 D/G/P

26-02-2015

Part List ID

E113135

46



MAIN BROOM LEVER ASSEMBLY

CR 1700 D/G/P

26-02-2015

Part List ID
E113135

47

Pos	Part no.	Qty	Description
1	56492792	1	KNOB
3	56483687	2	BEARING FLANGE
4	56483353	1	PIVOT WELDMENT
5	56009199	4	WSH FLT BRASS .266X1.250X.125
6	56468127	1	BEARING THRUST E00203
9	56483716	4	BEARING SLEEVE
10	56002948	4	SCR HEX LOC 1/4 20 X 0.75
11	56462162	1	PIVOT MT. WELDT.
12	56001831	1	SCR HEX 1/2 13 X 1.25
13	56001890	1	NUT HEX JAM HVY 1/2 13
14	56483345	1	BEARING SLEEVE
17	56009033	2	SCR HEX THD FORM 1/4 20X.50
18	56372201	2	BEARING SLEEVE
19	56361321	1	CATCH CT60P
20	56483359	1	KNOB
21	56009018	2	SCR HEX THD FORM 1/4-20X .75
22	56009082	1	SCR PANPHILTHD FORMBLK10-24X.5
23	56009096	1	WSH FLT .193X.875X.060
24	56483357	1	PIN
26	56001821	4	SCR HEX 1/4 20 X .88
27	56002098	4	WSH FLT SAE 1/4
28	56002708	4	NUT HEX NYL LOC 1/4-20

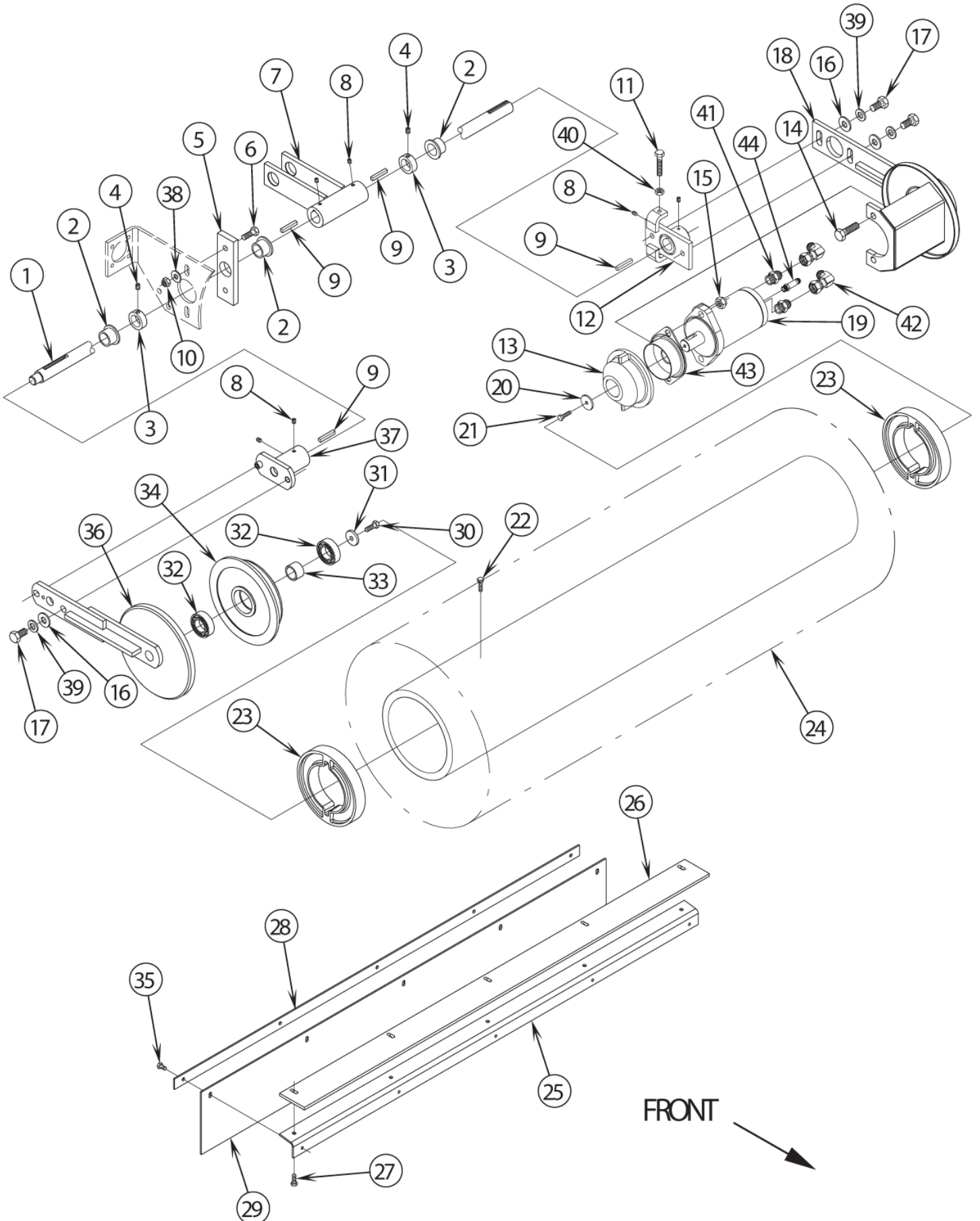
MAIN BROOM

CR 1700 D/G/P

26-02-2015

Part List ID
E113137

48



MAIN BROOM

CR 1700 D/G/P

26-02-2015

Part List ID
E113137

49

Pos	Part no.	Qty	Description	
2	56491650	3	BEARING FLANGE	
3	56444820	2	COLLAR 1.0X1.5X.50 CV491FA	
4	56002021	2	SCR SOC SET LOC 5/16 18 X .38	
5	56483193	1	BLOCK. BEARING	
6	56002095	2	SCR HEX 3/8-16 X 1.50	
7	56483153	1	COLLAR WELDMENT	
8	56900262	8	SCR SET SOC HD SS E00045	
9	56003246	4	KEY SQ .25 X 1.62	
10	56002769	2	NUT HEX NYL LOC 3/8-16	
11	56002470	2	SCR HEX THD/HD 3/8-16 X 2.00	
13	56477762	1	HUB DRIVER RE424 1	
14	56001995	2	SCR HEX 1/2 13 X 1.75	
15	56002770	2	NUT HEX NYL LOC 1/2-13	
16	56001879	3	WSH FLT SAE 1/2	
17	56001895	3	SCR HEX 1/2 13 X 1.00	
18	56483144	1	C.S. ARM WELDMENT	
19	56479577	1	SEAL KIT	For 56483195 - Not shown
19	56483195	1	MOTOR HYD. 6.3 C.I.D.	TSBUS2000-738 + TSBUS2001-777
20	56009199	1	WSH FLT BRASS .266X1.250X.125	
21	56001821	1	SCR HEX 1/4 20 X .88	
22	56002552	8	SCR HEX TYPE 25 1/4 20 X 1.25	
23	56493501	2	INSERT BROOM	
24	56505071	1	BROOM MAIN 4500PL	
24	56505240	1	BROOM PROEX/WIRE	Optional
25	56462157	1	SUPPORT BLADE	
26	56462160	1	BLADE HOPPER PU	
27	56002948	5	SCR HEX LOC 1/4 20 X 0.75	
28	56462158	2	STRAP BLADE	
29	56462159	1	BLADE BROOM HSG.	
30	56002956	1	SCR HEX LOC 5/16 18 X .75	
31	56358959	1	WSH PLATED AR131C	
32	56479430	2	BEARING BALL .9843 RE470AG	
33	56479434	1	BUSHING 1.0X1.2X.78RE470AJ	
34	56111915	1	HUB-IDLER	
35	56009033	5	SCR HEX THD FORM 1/4 20X.50	
36	56483138	1	R.S. ARM WELDMENT	
38	56002063	2	WSH FLT SAE 3/8	
39	56009017	3	WSH FLT HDN .516X.938X.075	
40	56002769	2	NUT HEX NYL LOC 3/8-16	
41	56900004	2	CONNECTOR O/R 8 E00001	
42	56900304	2	ELBOW 90D W/NUT -8 E00007	
43	56455997	1	BROOM MOTOR SEAL GUARD WLMT.	
44	56900051	1	CONN EXT O/R -4 E00002	After SN1508901

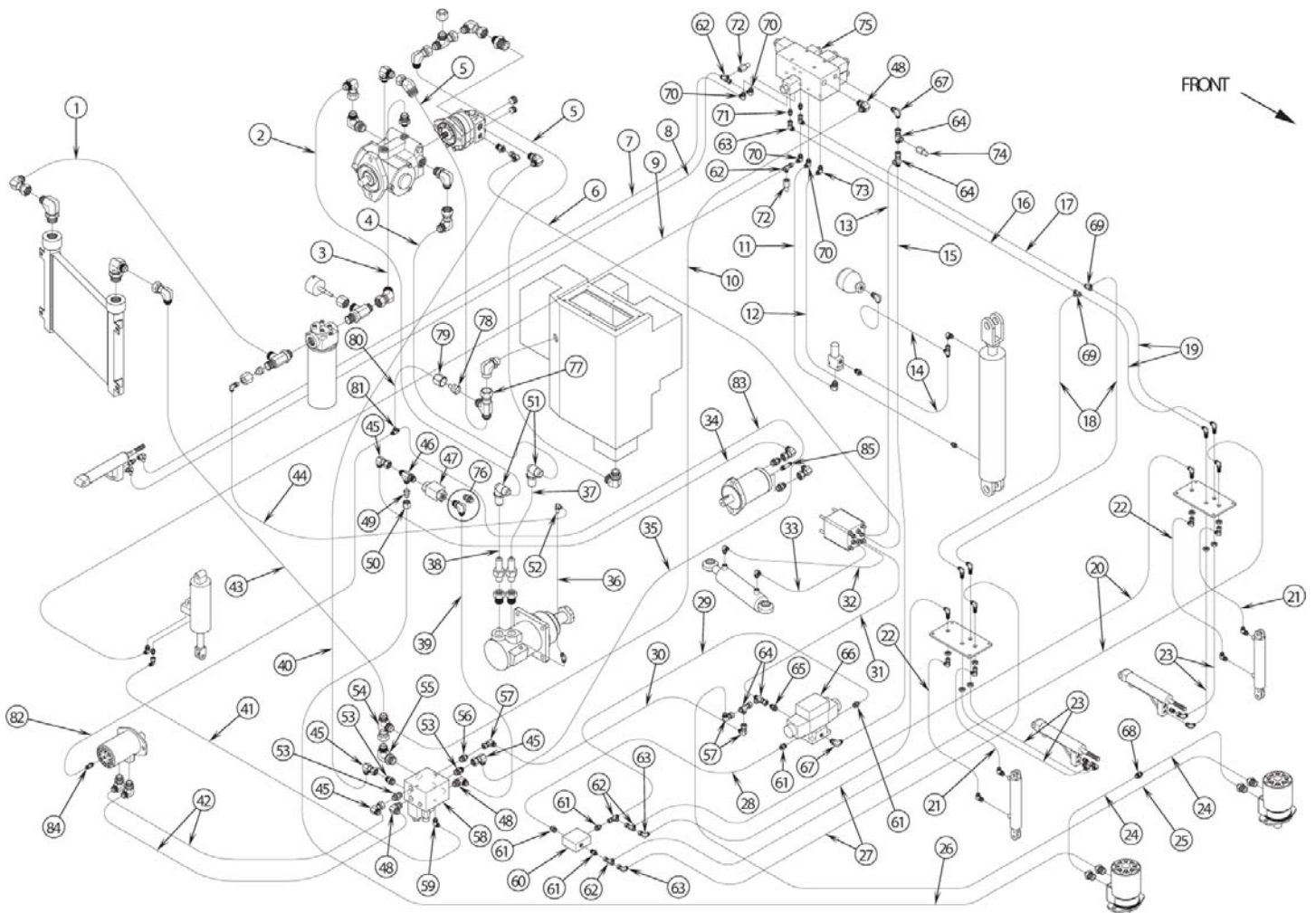
HYDRAULIC SYSTEM

CR 1700 D/G/P

26-02-2015

Part List ID
E113140

50



HYDRAULIC SYSTEM

CR 1700 D/G/P

26-02-2015

Part List ID
E113140

51

Pos	Part no.	Qty	Description	
1	56463723	1	HYD. HOSE ASSY. E00021	
2	56462427	1	HOSE-1/2 X 47 E00021	
3	56492102	1	HOSE 100R1 X 32 E00021	
4	56462426	1	HOSE 1/2 X 31 E00021	
5	56488484	2	HOSE ASSY E00021	
6	56462409	1	HOSE 3/8 X 92 E00021	CONNECTS TO "IN" PORT OF STEERING UNIT
7	56462422	1	HOSE 1/4 X 62 E00021	CONNECTS TO "M" PORT OF CYLINDER VALVE
8	56462422	1	HOSE 1/4 X 62 E00021	CONNECTS TO "N" PORT OF CYLINDER VALVE
9	56462430	1	HOSE 1/4 X 99 E00021	CONNECTS TO "H" PORT OF CYLINDER VALVE
10	56463725	1	HYD. HOSE ASSY. E00021	CONNECTS TO "T" PORT OF CYLINDER VALVE AND "T" POR
11	56462405	1	HOSE 1/4 X 59 E00021	CONNECTS TO "J" PORT OF CYLINDER VALVE
13	56462410	2	HOSE 3/8 X 79 E00021	CONNECTS TO "P" PORT OF CYLINDER VALVE AND "AUX" P
14	56462406	1	HOSE 1/4 X 13 E00021	
15	56462408	1	HOSE 3/8 X 53 E00021	CONNECTS TO "P" PORT OF CYLINDER VALVE
16	56462417	1	HOSE 1/4 X 86 E00021	CONNECTS TO "L" PORT OF CYLINDER VALVE
17	56462417	1	HOSE 1/4 X 86 E00021	CONNECTS TO "K" PORT OF CYLINDER VALVE
18	56462979	2	HOSE 1/4 X 89 E00583	
19	56462978	2	HOSE 1/4 X 156 E00583	
20	56462399	2	HOSE 1/8 X 119 E00554	
21	56462396	2	HOSE 1/8 X 11.5 E00554	
22	56462397	2	HOSE 1/8 X 20	
23	56462395	4	HOSE 1/8 X 17 E00554	
24	56462981	2	HOSE-3/8 X 130 E00583	
25	56462985	1	HOSE 3/8 X 180 E00583	
26	56463095	1	HOSE ABRASION RESISTANTE00583	
27	56462829	2	HOSE 1/8 X 189 E00554	
28	56463056	1	HOSE 540N E00554	
29	56463057	1	HOSE 540N E00554	
30	56484314	1	HOSE 3/8 X 26 E00021	CONNECTS TO "F" PORT OF MOTOR VALVE
31	56462880	1	HOSE HYDRAULIC E00021	CONNECTS TO "OUT" PORT OF STEERING UNIT
32	56462411	1	HOSE 3/8 X 42 E00021	CONNECTS TO "RT" PORT OF STEERING UNIT
33	56462412	1	HOSE 3/8 X 50 E00021	CONNECTS TO "LT" PORT OF STEERING UNIT
34	56463101	1	HOSE HYD. E00021	
35	56462189	1	HOSE ASSY. 90 DEG.E E00021	CONNECTS TO "D" PORT OF MOTOR VALVE
36	56488745	1	HOSE ASSY .63 X 50 E00021	
37	56462983	1	HOSE-1/2 X 36 E00583	
38	56462982	1	HOSE 1/2 X 42 E00583	
39	56496216	1	HOSE 100R1 X 75 E00021	CONNECTS TO "E" PORT OF MOTOR VALVE
40	56496216	1	HOSE 100R1 X 75 E00021	CONNECTS TO "P" PORT OF MOTOR VALVE
41	56462405	1	HOSE 1/4 X 59 E00021	
43	56463724	1	HYD. HOSE ASSY. E00021	CONNECTS TO "T" PORT OF MOTOR VALVE
44	56488743	1	HOSE ASSY .63 X 36 E00021	
45	56900304	4	ELBOW 90D W/NUT -8 E00007	

NOTE: Any hydraulic fittings or components not called out on this diagram can be found else-w here in this manual.

HYDRAULIC SYSTEM

CR 1700 D/G/P

26-02-2015

Part List ID
E113140

52

Pos	Part no.	Qty	Description	
46	56900204	1	TEE RUN O/R -8 E00005	
48	56900104	4	ELBOW 90 DEG.O/R -8 E00003	ALL CR1700 / SEE POS. 76
49	56900463	1	REDUCER 8 6 E00015	
50	56900504	1	NUT 3 PIECE 8 E00016	
52	56900401	1	ELBOW UNION 4 E00012	
53	56900004	3	CONNECTOR O/R 8 E00001	ALL CR1700 / SEE POS. 76
54	56900346	1	TEE RUN W/NUT E00009	
55	56900106	1	ELBOW 90DEG.O/R 12 E00003	
56	56900013	1	CONNECTOR O/R 6 8 E00001	
57	56900303	3	ELBOW 90D W/NUT 6C6X S E00007	
58	56462079	1	VALVE MOTOR	
59	56900110	1	ELBOW 90DEG O/R 4 6 E00003	
60	56462394	1	VALVE CHECK 3 WAY	
61	56900011	5	CONNECTOR 4 6 E00001	
62	56900341	5	TEE RUN W/NUT 4 E00009	
63	56900301	4	ELBOW 90D W/NUT 4 E00007	
64	56900343	4	TEE E00009	
65	56900003	1	CONNECTOR O/R 6 E00001	
66	56462187	1	VALVE SIDE BROOM LI	
67	56900103	2	ELBOW 90 DEG O/R 6 E00003	
68	56900873	1	FITTING UNION E00567	
69	56900441	2	TEE UNION 4 E00014	
70	56900101	4	ELBOW 90 DEG.O/R 4 E00003	
71	56900001	2	CONNECTOR O RING 4 E00001	
72	56900906	2	TEST NIPPLE	
73	56463519	1	ORIFICE ASSY.	
75	56462144	1	VALVE	
75	56463622	1	PRESSURE SWITCH	NOT SHOWN
76	56900004	1	CONNECTOR O/R 8 E00001	
77	56900346	1	TEE RUN W/NUT E00009	AFTER SN 1508901
78	56900467	1	REDUCER E00015	AFTER SN 1508901
79	56900506	1	NUT E00016	
80	56463734	1	HOSE ASSY	
81	56900441	1	TEE UNION 4 E00014	
82	56460103	1	HOSE ASSY	
83	56463736	1	HOSE ASSY	AFTER SN 1508901
84	56900001	1	CONNECTOR O RING 4 E00001	AFTER SN 1508901
85	56900051	1	CONN EXT O/R -4 E00002	AFTER SN 1508901

NOTE: Any hydraulic fittings or components not called out on this diagram can be found else-w here in this manual.

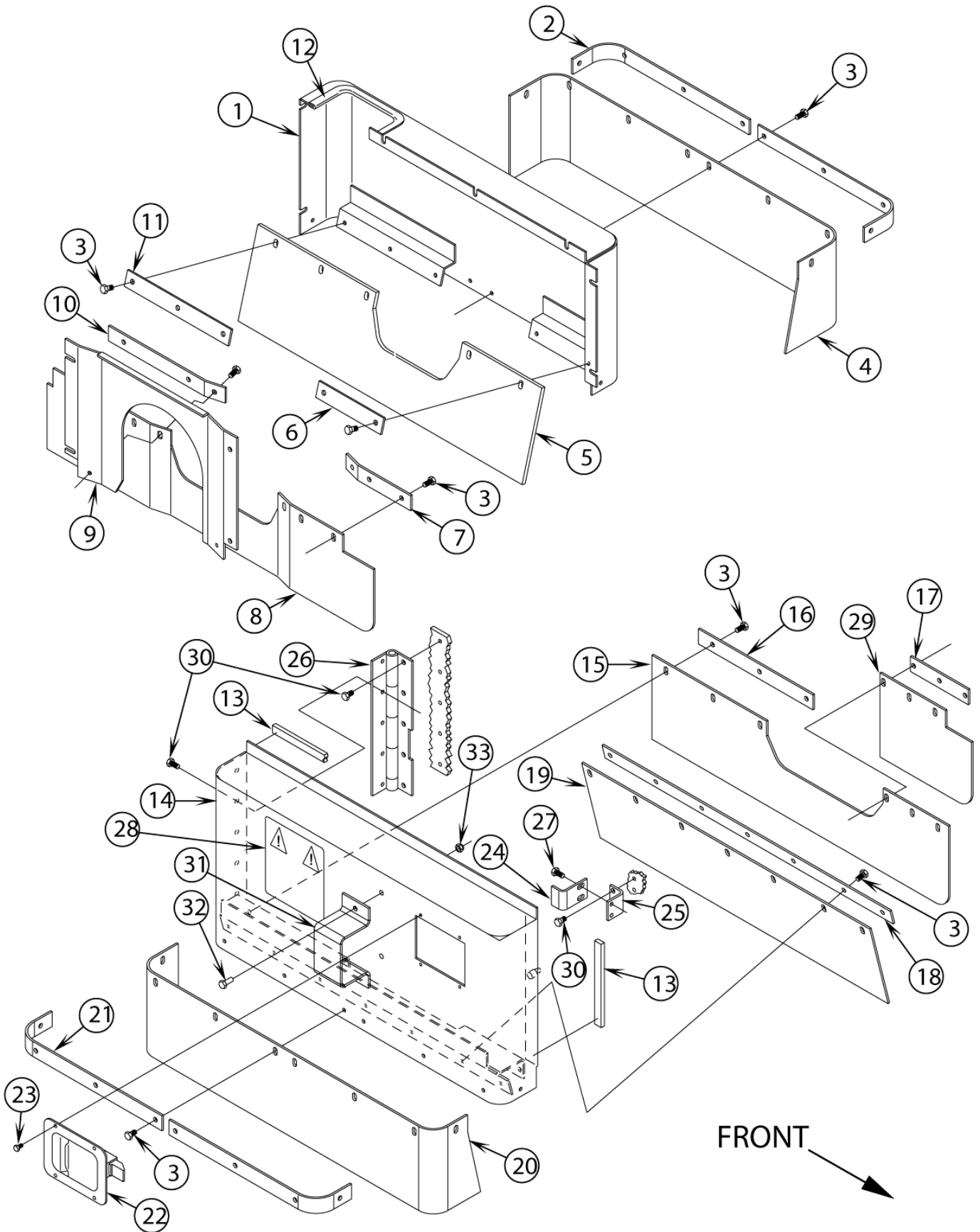
BROOM HOUSING DOORS & SKIRTS

CR 1700 D/G/P

26-02-2015

Part List ID
E113143

53



BROOM HOUSING DOORS & SKIRTS

CR 1700 D/G/P

26-02-2015

Part List ID
E113143

54

Pos	Part no.	Qty	Description	
2	56462490	2	STRAP LS COVER BLA	
3	56009018	40	SCR HEX THD FORM 1/4-20X .75	
4	56462488	1	BLADE LS BROOM HSG	
5	56462489	1	BLADE LS BROOM HSG	
6	56462486	1	STRAP LS BLADE	
7	56462152	1	STRAP L.S.BLADE	
8	56462153	1	BLADE L.S. BROOM HS	
9	56462151	1	PLATE BROOM HSG.AC	
10	56462156	1	STRAP L.S.BLADE	
11	56462487	1	STRAP LS BLADE	
12	56462455	1	RS BRM HSG DOOR ASS	Pos. 13-23 and 29
12	56462491	1	TRIM EDGE	
13	56474688	1	GASKET RE246A	
14	56462456	1	RS BRM HSG DOOR WEL	
15	56462468	1	BLADE RS BRM.HSG.DO	
16	56462464	1	STRAP RS BLADE	
17	56462467	1	STRAP RS BLADE	
18	56462469	1	STRAP RS BLADE	
19	56462470	1	BLADE RS BRM.HSG.DO	
20	56462466	1	BLADE RS BRM HSG.DO	
21	56462465	2	STRAP RS BLADE	
22	56462326	1	LATCH FLUSH MOUNT	
23	56009012	4	SCR HEX THD FORM 10 24X.38	
24	56462461	1	CATCH DOOR LATCH	
25	56462462	1	MOUNT DOOR LATCH	
26	56462471	1	HINGE ACCESS DOOR	
27	56009018	2	SCR HEX THD FORM 1/4-20X .75	
28	56015425	1	DECAL WARNING BROOM	
29	56462463	1	BLADE RS BRM HSG.DOOR	
30	56003039	12	SCR HEX LOC 1/4-20 X .50	
31	56463807	1	STOP	
32	56002155	2	SCR HEX 1/4-20 X .75	
33	56002708	2	NUT HEX NYL LOC 1/4-20	

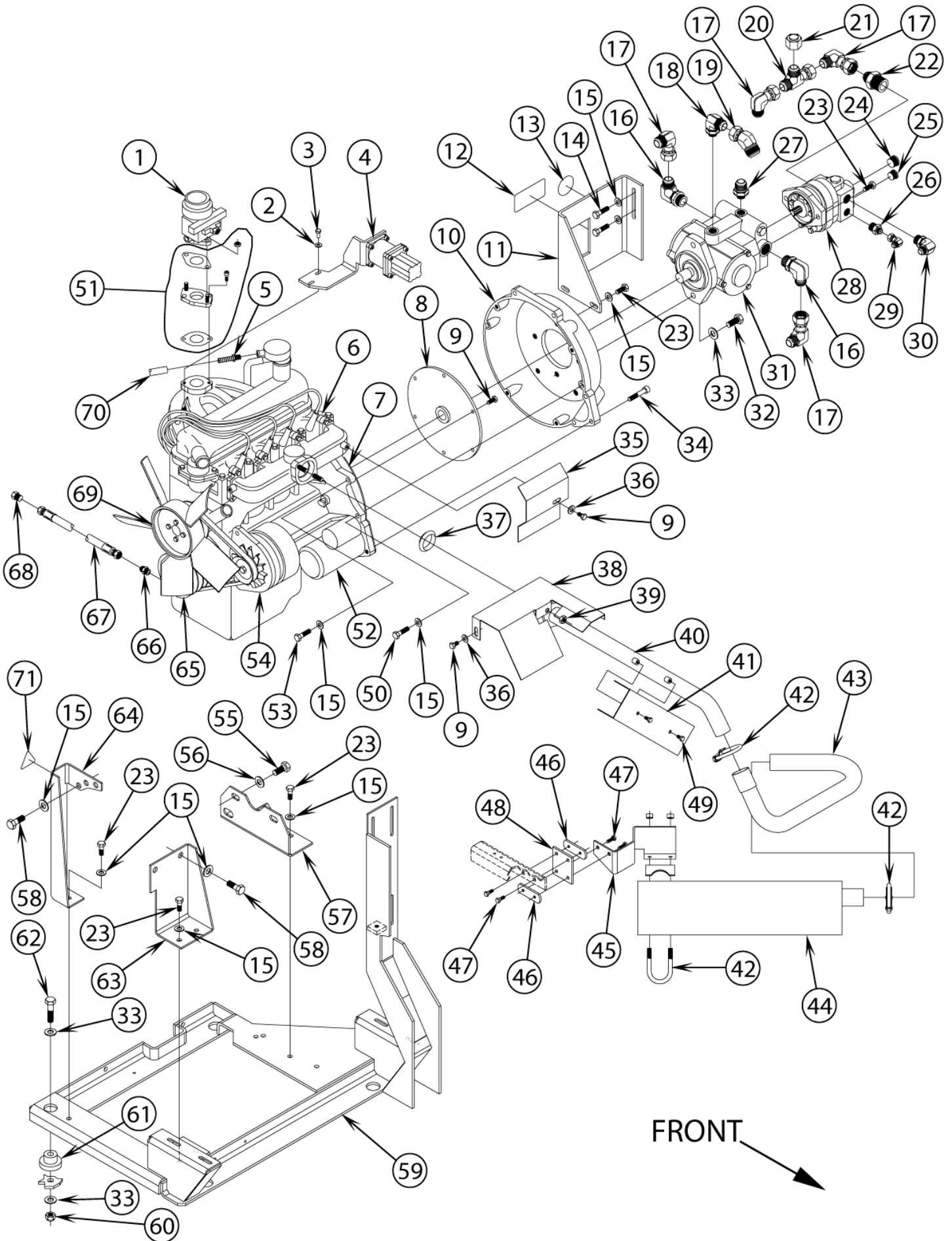
ENGINE ASSEMBLY (GAS/LP)

CR 1700 D/G/P

26-02-2015

Part List ID
E113145

55



ENGINE ASSEMBLY (GAS/LP)

CR 1700 D/G/P

26-02-2015

Part List ID
E113145

56

Pos	Part no.	Qty	Description	
0	56460007	1	HARNES ENGINE	Not shown
0	56462862	1	FILTER OIL	Not shown
0	56462864	1	WATER PUMP W/GASKET	Not shown
0	56462871	1	PUMP FUEL	Not shown
0	56462872	1	GASKET FUEL PUMP	Not shown
0	56462915	1	MODULE HARNES	TSBUS2001-749 - Not shown
0	56463575	1	SPARK PLUG WIRE SET	TSBUS2001-782 - Not shown
0	56463610	1	FUEL SEPARATOR	Not shown
0	56463847	1	GASKET ROCKER ARM COVER	Not shown
0	56463848	1	GASKET HEAD	Not shown
0	56478698	1	SENDER PRESS 0 80 RE446N	Not shown
0	56481888	1	SENDER TEMPERATURE	Not shown
0	56497701	1	CABLE CHOKE	Not shown
1	56460082	1	ROTARY CARB. KIT	TSBUS2002-809
2	56009064	2	WSH INT SHPRF 1/4	
3	56003174	2	SCR HEX THD/HD M6 1.0 X 16MM	
4	56455049	1	L P ACTUATOR LINKAGE ASSY	LP
4	56455052	1	GAS ACTUATOR LINKAGE ASSY	Gas - TSBUS2002-809
5	56443999	1	BARB 7/16X1/4 BR E00039	
6	56462050	1	ENGINE-1.3L PROPANE	W/O Carb
6	56462051	1	ENGINE 1.3L GAS	W/ Carb
7	56462054	1	REAR ENG. PLATES	
8	56462063	1	COUPLER ASSY.	
9	56003178	8	SCR HEX THD TO HD M8-1.25X16MM	
10	56462083	1	BELL HOUSING	
11	56462106	1	BRACE IMPELLER	
13	56030080	1	DECAL HANDS CLEAR	
14	56003021	3	SCR HEX M10-1.25 X 50 MM	
15	56002063	19	WSH FLT SAE 3/8	
16	56900106	2	ELBOW 90DEG.O/R 12 E00003	
17	56900306	4	ELBOW 90D W/NUT -12 E00007	
18	56900106	1	ELBOW 90DEG.O/R 12 E00003	New 1-1/16-12 x 1-1/16-12
18	56900909	1	FITTING 90 DEGREE E00003	Old 1-1/16-12 x 3/4-16
19	56900326	1	45 DEG. SW. E1-12 E00008	
20	56900346	1	TEE RUN W/NUT E00009	
21	56463441	1	CAP FEMALE E00600	
22	56900018	1	CONNECTOR O/R 12 16 E00001	
23	56002663	9	SCR HEX 3/8-16 X 1.00	
24	56463404	1	PLUG HEX O RING E00594	
25	56463403	1	PLUG HEX O RING E00594	
26	56900013	1	CONNECTOR O/R 6 8 E00001	
28	56462999	1	PUMP HYDRAULIC	
28	56488002	1	O-RING	Not shown

ENGINE ASSEMBLY (GAS/LP)

CR 1700 D/G/P

26-02-2015

Part List ID
E113145

57

Pos	Part no.	Qty	Description	
29	56900303	1	ELBOW 90D W/NUT 6C6X S E00007	
30	56900114	1	ELBOW 90 O/R 8 10 E00003	
31	56497918	1	PUMP PISTON	
32	56001968	2	SCR HEX 1/2 13 X 1.50	
33	56009115	10	WSH FLT HDN .594X1.375X.134	
34	56462062	5	SCR SOC HD BLK M10-1.50 X 35MM	
35	56462898	1	HEAT SHIELD	
36	56001939	2	WSH FLT SAE 5/16	
37	56462053	1	EXHAUST GASKET	
38	56463288	1	HEAT SHIELD	
39		2	NOTE COMMENT	Nut, Hex M 10
40	56462755	1	EXHAUST PIPE WELDME	
41	56456420	1	SHIELD HEAT	
42	56456833	3	MUFFLER CLAMP 1 5/8 E00025	
43	56462759	1	EXHAUST PIPE WLDMT.	
44	56462754	1	MUFFLER	
45	56462758	1	BRACKET MUFFLER	
46	56481468	2	NUT PLATE 1/4-20	
47	56009018	4	SCR HEX THD FORM 1/4-20X .75	
48	56478726	1	MOUNT DIAPHRAGM RE446Y	
49	56009033	2	SCR HEX THD FORM 1/4 20X.50	
50	56002095	1	SCR HEX 3/8-16 X 1.50	
51	56455232	1	CARB. SPACER GROUP	
52	56462868	1	STARTER ASSY.	
53	56002747	3	SCR HEX THD/HD 3/8-16 X 1.50	
54	56452257	1	51 AMP ALTERNATOR	W/ Brackets and Belt
55	56003083	2	SCR HEX LOC 1/2-13 X 1.00	
56	56001879	2	WSH FLT SAE 1/2	
58	56003186	5	SCR HEX THD/HD M10-1.50 X 25MM	
59	56462097	1	MOTOR MOUNT WELDMENCODE 07	
60	56002770	4	NUT HEX NYL LOC 1/2-13	
61	56478685	4	MOUNT ENGINE RE446H	
62	56001920	4	SCR HEX 1/2 13 X 2.25	
63	56462107	1	MOUNT WELDMT.	
65	56462472	1	SHEAVE CRANKSHAFT	
66	56900300	1	CONN.MALE METRIC	
67	56497359	1	HOSE E00021	
68	56462247	1	PLUG-6 E00551	
69	56459190	1	SPACER FAN	
69	56463704	1	FAN SUCTION	
70	56150231	1	TUBE PVC RS .375 E00189	305 mm
71	56016364	1	DECAL WARNING FAN	

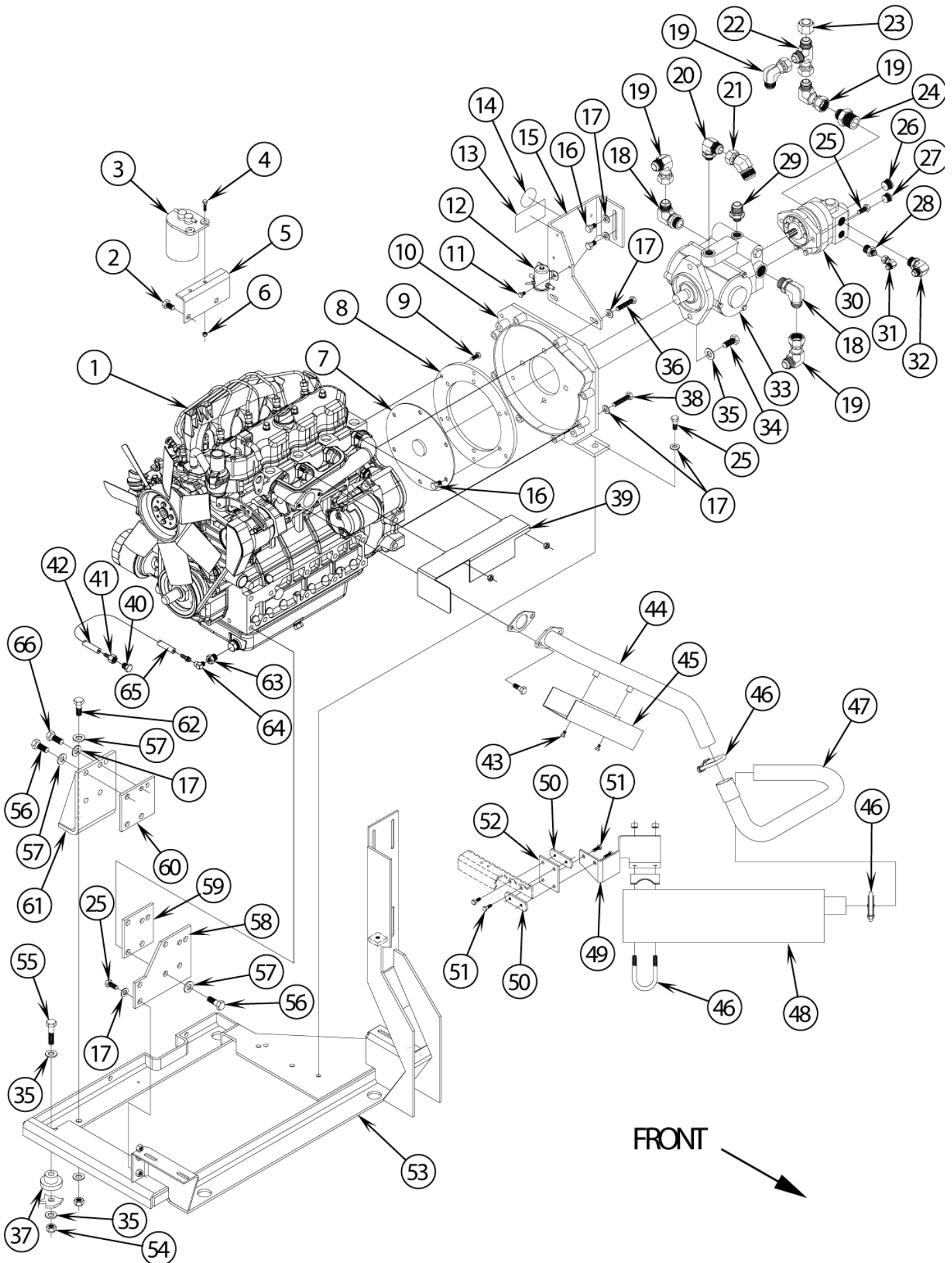
ENGINE ASSEMBLY (DIESEL)

CR 1700 D/G/P

26-02-2015

Part List ID
E113147

58



ENGINE ASSEMBLY (DIESEL)

CR 1700 D/G/P

26-02-2015

Part List ID
E113147

59

Pos	Part no.	Qty	Description
0	56003167	4	SCR HEX M6-1.0 X 40MM
0	56455793	1	OIL FLTR ELEMNT REPL
0	56460000	1	ENGINE HARNESS
0	56463189	2	SPACER. FAN
0	56463294	1	STARTER ASSY.
0	56463300	1	GASKET VALVE COVER
0	56463301	1	TANK OVERFLOW W/BRKT
0	56463590	1	GLOW PLUG TIMER Glowplug
0	56463591	1	ALTERNATOR 40 AMP
0	56463592	1	WATER PUMP
0	56463593	1	FUEL PUMP
0	56463595	1	THERMOSTAT
0	56463596	1	FUEL FILTER KIT 463588
0	56463600	1	LOWER GASKET SET
0	56463704	1	FAN SUCTION
0	56480679	1	FUEL FILTER KIT RE447FG
0	56481888	1	SENDER TEMPERATURE
0	56492109	1	SOLENOID FUEL SHTDN E00106
1	56463588	1	ENGINE DIESEL
3	56463596	1	FUEL FILTER KIT 463588
4	56002155	2	SCR HEX 1/4-20 X .75
5	56463212	1	BRACKET
6	56002708	2	NUT HEX NYL LOC 1/4-20
7	56463199	1	COUPLING
7	56463490	2	DOWEL PIN .325X.75 Not shown
8	56463200	1	SPACER RING
9	56492142	4	SCREW METRIC
11	56009019	2	SCR HEX THD FORM 1/4-20X .38
12	56441546	1	SWITCH SOLENOID 12VCV436B
13	56015290	1	DECAL RPM
14	56030080	1	DECAL HANDS CLEAR
15	56463194	1	BRACKET
16	56003040	6	SCR HEX LOC 3/8-16 X .62
17	56002063	15	WSH FLT SAE 3/8
18	56900106	2	ELBOW 90DEG.O/R 12 E00003
19	56900306	4	ELBOW 90D W/NUT -12 E00007
20	56900106	1	ELBOW 90DEG.O/R 12 E00003 New 1-1/16-12 x 1-1/16-12
20	56900909	1	FITTING 90 DEGREE E00003 Old 1-1/16-12 x 3/4-16
21	56900326	1	45 DEG. SW. E1-12 E00008
22	56900346	1	TEE RUN W/NUT E00009
23	56463441	1	CAP FEMALE E00600
24	56900018	1	CONNECTOR O/R 12 16 E00001
25	56002663	6	SCR HEX 3/8-16 X 1.00

ENGINE ASSEMBLY (DIESEL)

CR 1700 D/G/P

26-02-2015

Part List ID

E113147

60

Pos	Part no.	Qty	Description
26	56463404	1	PLUG HEX O RING E00594
27	56463403	1	PLUG HEX O RING E00594
28	56900013	1	CONNECTOR O/R 6 8 E00001
30	56463489	1	PUMP HYDRAULIC
30	56488002	1	O-RING
31	56900303	1	ELBOW 90D W/NUT 6C6X S E00007
32	56900114	1	ELBOW 90 O/R 8 10 E00003
33	56497918	1	PUMP PISTON
34	56001968	2	SCR HEX 1/2 13 X 1.50
35	56009115	10	WSH FLT HDN .594X1.375X.134
36	56003340	2	SCR. HEX M10 1.25 X 60
37	56478685	4	MOUNT ENGINE RE446H
38	56003021	6	SCR HEX M10-1.25 X 50 MM
39	56463216	1	SHIELD HEAT
40	56740136	1	PLUG BRASS E00040
41	56756360	1	HOSE BARB 1/4 BARB X 1/4-18 F
42	56462127	3	HOSE PUSHLOCK E00077 91.5 cm
43	56009033	2	SCR HEX THD FORM 1/4 20X.50
44	56463160	1	EXHAUST PIPE WLD.
45	56456420	1	SHIELD HEAT
46	56456833	3	MUFFLER CLAMP 1 5/8 E00025
47	56462759	1	EXHAUST PIPE WLDMT.
48	56462754	1	MUFFLER
49	56462758	1	BRACKET MUFFLER
50	56481468	2	NUT PLATE 1/4-20
51	56009018	4	SCR HEX THD FORM 1/4-20X .75
52	56478726	1	MOUNT DIAPHRAGM RE446Y
53	56463150	1	ENGINE MT.WLD.
54	56002770	5	NUT HEX NYL LOC 1/2-13
55	56001920	4	SCR HEX 1/2 13 X 2.25
56	56003020	7	SCR HEX M12-1.25 X 25 MM
57	56001879	10	WSH FLT SAE 1/2
58	56463193	1	MOUNT ENGINE
59	56463201	1	PLATE SPACER
60	56463185	1	PLATE SPACER
61	56463152	1	ENGINE MT. WLD.
62	56001968	1	SCR HEX 1/2 13 X 1.50
64	56111309	1	ELBOW ST 1/8X90 BR E00031
65	56369594	1	BARB 1/4X1/8 BRASS E00039
66	56003019	1	SCR HEX M10-1.25 X 25 MM

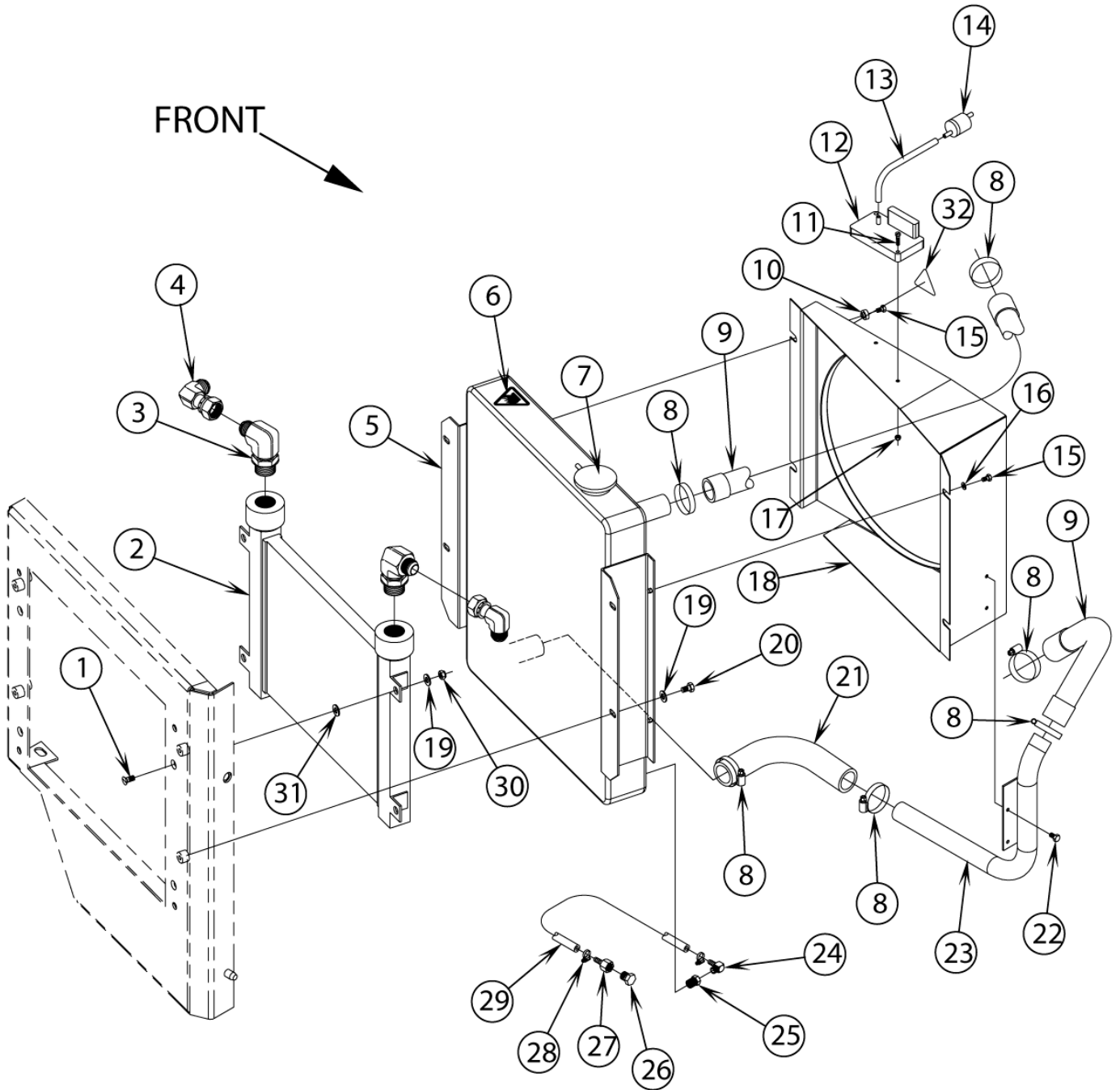
RADIATOR ASSEMBLY

CR 1700 D/G/P

26-02-2015

Part List ID
E113149

61



RADIATOR ASSEMBLY

CR 1700 D/G/P

26-02-2015

Part List ID
E113149

62

Pos	Part no.	Qty	Description	
1	56002395	4	SCR FLT PHIL 5/16-18 X .75	
2	56463678	1	COOLER OIL	
3	56900117	2	ELBOW 90D 0/R-12-16 E00003	
4	56900306	2	ELBOW 90D W/NUT -12 E00007	
5	56463679	1	RADIATOR	
6	56016363	1	DECAL WARNING HOT	
7	56456431	1	CAP RADIATOR	
8	56329145	6	CLAMP HOSE SAE 24 E00047	
9	56456304	2	HOSE RADIATOR 15 E00183	
10	56171566	2	BUSHING STEP .250 PC426C	
11	56009043	2	SCR PAN PHIL THD FORM10-24X.75	Gas/LP
12	56462915	1	MODULE HARNESS	Gas/LP - TSBUS 749
13		2	NOTE COMMENT	5/32" ID Vacuum Hose - 61 cm / Gas/LP
14	56463610	1	FUEL SEPARATOR	
15	56003174	4	SCR HEX THD/HD M6 1.0 X 16MM	
16	56001954	2	WSH FLT SAE 10	
17	56002832	2	NUT HEX NYL LOC-THIN 10-24	
18	56462264	1	SHROUD WELDMENT	Gas/LP
18	56463731	1	FAN SHROUD WELDMENT	Diesel - Not shown
19	56001939	8	WSH FLT SAE 5/16	
20	56001862	4	SCR HEX 5/16 18 X .50	
21	56481287	1	HOSE RADIATOR	
22	56003039	2	SCR HEX LOC 1/4-20 X .50	
23	56462124	1	TUBE WELDMENT	Gas/LP
24	56755726	1	HOSE BARB 1/4 BARB X 1/8-27	
25	56740214	1	BUSHING PIPE BR .25X .12	
26	56740136	1	PLUG BRASS E00040	
27	56756360	1	HOSE BARB 1/4 BARB X 1/4-18 F	
28	56756364	2	CLAMP HOSE SAE 4 E00047	
29	56462127	3	HOSE PUSHLOCK E00077	
30	56002826	4	NUT HEX NYL LOC-THIN 5/16-18	
31	56009122	4	WSH FLT .344X.938X.125	
32	56016364	1	DECAL WARNING FAN	
32	56459112	1	GASKET BULB RS	61 cm / attach to Radiator grill weldment - Not sh

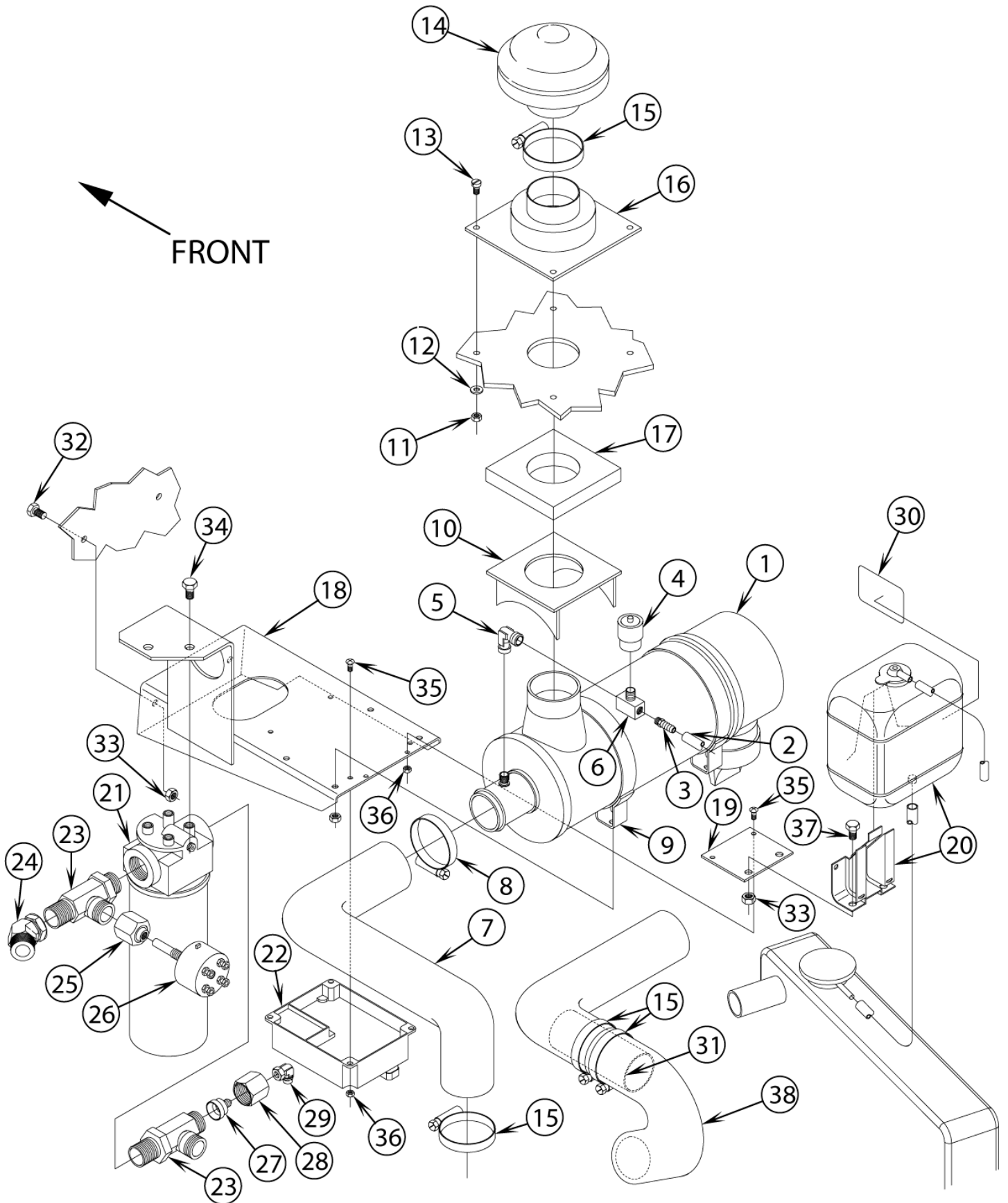
AIR CLEANER ASSEMBLY

CR 1700 D/G/P

26-02-2015

Part List ID
E113150

63



AIR CLEANER ASSEMBLY

CR 1700 D/G/P

26-02-2015

Part List ID
E113150

64

Pos	Part no.	Qty	Description	
1	56478710	1	AIR CLEANER RE446T	
1	56478720	1	PRIMARY ELEMENT RE446TB	Not shown
1	56478722	1	SECONDARY ELEMENT RE446TA	Not shown
2	56150231	1	TUBE PVC RS .375 E00189	30 cm / Gas/LP
3	56104299	1	BARB 3/8X1/8 BRASS E00039	Gas/LP
4	56478461	1	SERVICE INDICATOR RE442DA	Gas/LP
5	56111309	1	ELBOW ST 1/8X90 BR E00031	Gas/LP
6	56900046	1	TEE MALE BRANCH E00056	Gas/LP
8	56440213	1	CLAMP HOSE SAE 32E00047	
9	56482621	2	BAND ASSY	Before Jan. 2000
10	56463442	1	FILTER PLATE WLMT.	Before Jan. 2000
11	56002708	4	NUT HEX NYL LOC 1/4-20	
12	56002098	4	WSH FLT SAE 1/4	
13	56002507	4	SCR PAN PHIL 1/4-20 X .75	
14	56463451	1	HOOD AIR INLET	
15	56456797	2	CLAMP HOSE	Qty of 4 on Diesel
16	56463445	1	COVER WLMT.	
17	56463449	1	GASKET	Before Jan. 2000
19	56463435	1	BRACKET TANK	
20	56463301	1	TANK OVERFLOW W/BRKT	
21	56456449	1	FILTER ASSY OIL	
21	56496209	1	FILTER ELEMENT	Not shown
22	56455231	1	CONTROLLER GOVERNOR	Gas/LP - NOTE 1
23	56900206	2	TEE RUN O/R 12 E00005	
24	56900326	1	45 DEG. SW. E1-12 E00008	
25	56463621	1	CAP MODIFIED TUBE	
26	56463096	1	SWITCH TEMP.	
27	56900467	1	REDUCER E00015	
28	56900506	1	NUT E00016	
29	56900301	1	ELBOW 90D W/NUT 4 E00007	
30	56015463	1	DECAL COOLANT LEVEL	
31	56463647	1	TUBE AIR	Diesel
32	56002037	2	SCR HEX 5/16-18 X .88	
33	56002701	4	NUT HEX NYL LOC 5/16-18	
34	56003040	2	SCR HEX LOC 3/8-16 X .62	
35	56002124	6	SCREW10-24 X .62 PNH PH	
36	56002832	6	NUT HEX NYL LOC-THIN 10-24	
37	56002956	2	SCR HEX LOC 5/16 18 X .75	
39	56463842	1	FILTER MT. WLMT.	After Dec. 1999
41	56497730	1	GASKET	After Dec. 1999
42	56482621	1	BAND ASSY	After Dec. 1999
43	56412316	1	AIR CLEANER 2052/2067	After Dec. 1999
43	56482028	1	FILTER SAFETY	Not shown

NOTE 1: The Governor Controller mounts on the back of the seat panel on machines built after Dec. 1999.

AIR CLEANER ASSEMBLY

CR 1700 D/G/P

26-02-2015

Part List ID
E113150

65

Pos	Part no.	Qty	Description	
43	56482029	1	FILTER PRIMARY	Not shown
44	56001834	2	SCR HEX 5/16 18 X 1.25	After Dec. 1999
45	56001939	2	WSH FLT SAE 5/16	After Dec. 1999
46	56002701	2	NUT HEX NYL LOC 5/16-18	After Dec. 1999
47	56750746	1	NIPPLE 1/8 CLOSE 3189 E00057	After Dec. 1999

NOTE 1: The Governor Controller mounts on the back of the seat panel on machines built after Dec. 1999.

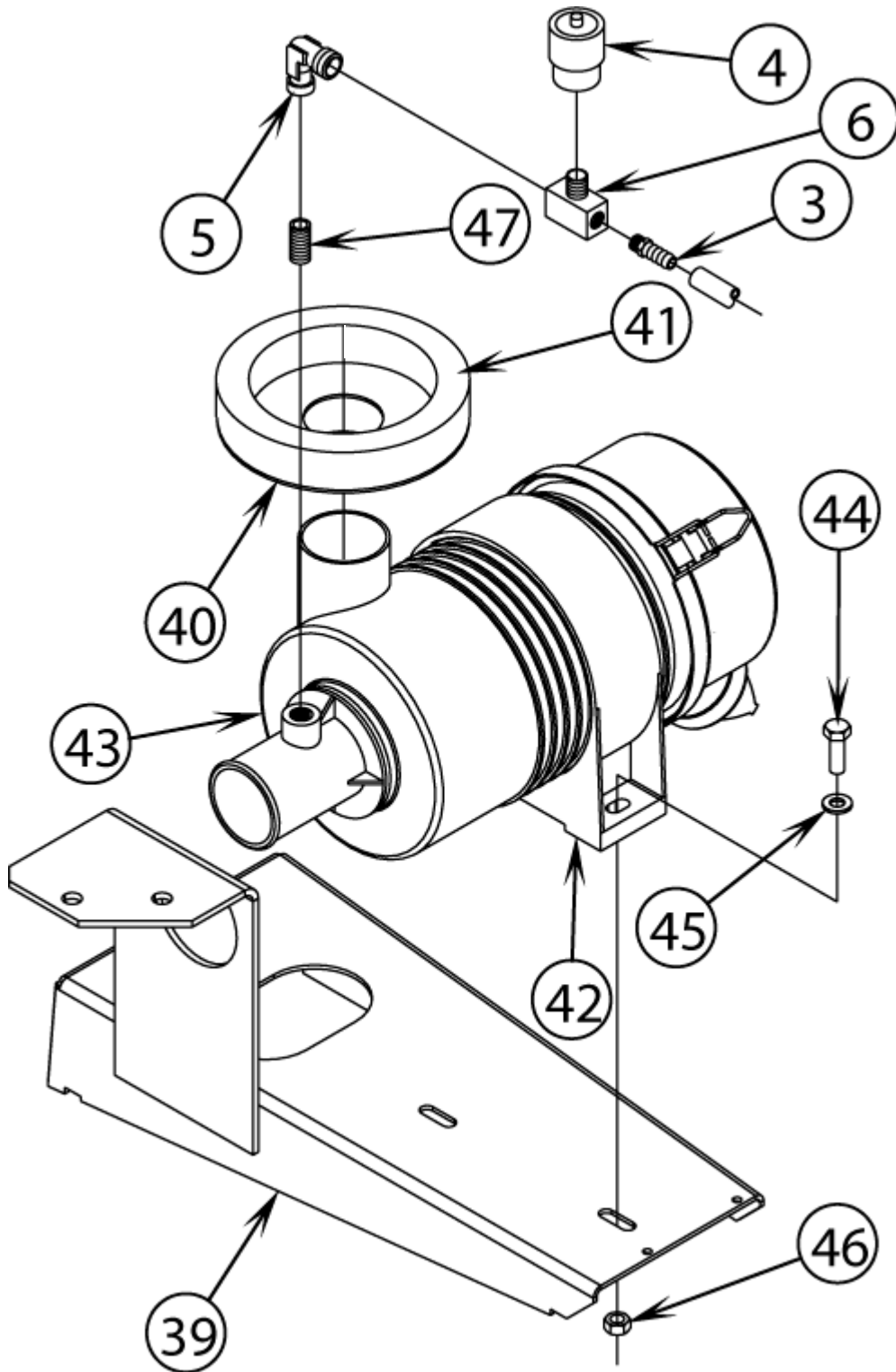
AIR CLEANER ASSEMBLY

CR 1700 D/G/P

26-02-2015

Part List ID
E113151

66



AIR CLEANER ASSEMBLY

CR 1700 D/G/P

26-02-2015

Part List ID
E113151

67

Pos	Part no.	Qty	Description	
3	56104299	1	BARB 3/8X1/8 BRASS E00039	GAS/LP
4	56478461	1	SERVICE INDICATOR RE442DA	GAS/LP
5	56111309	1	ELBOW ST 1/8X90 BR E00031	GAS/LP
6	56900046	1	TEE MALE BRANCH E00056	GAS/LP
39	56463842	1	FILTER MT. WLMT.	AFTER DEC. 1999
41	56497730	1	GASKET	AFTER DEC. 1999
42	56482621	1	BAND ASSY	AFTER DEC. 1999
43	56412316	1	AIR CLEANER 2052/2067	AFTER DEC. 1999
43	56482028	1	FILTER SAFETY	NOT SHOWN
43	56482029	1	FILTER PRIMARY	NOT SHOWN
44	56001834	2	SCR HEX 5/16 18 X 1.25	AFTER DEC. 1999
45	56001939	2	WSH FLT SAE 5/16	AFTER DEC. 1999
46	56002701	2	NUT HEX NYL LOC 5/16-18	AFTER DEC. 1999
47	56750746	1	NIPPLE 1/8 CLOSE 3189 E00057	AFTER DEC. 1999

NOTE2: Items 39-47 replace items 1, 9-10, 17-18 on machines built after Dec. 1999. If you have a machine built prior to this and need to order a new Air

GOVERNOR & DRIVE PEDAL LINKAGE (GAS/ I

CR 1700 D/G/P

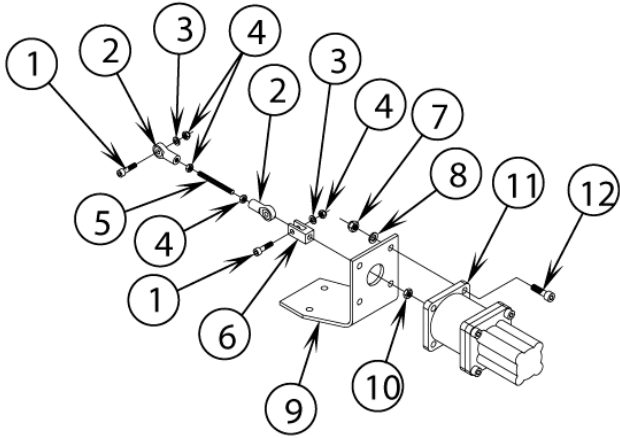
26-02-2015

Part List ID

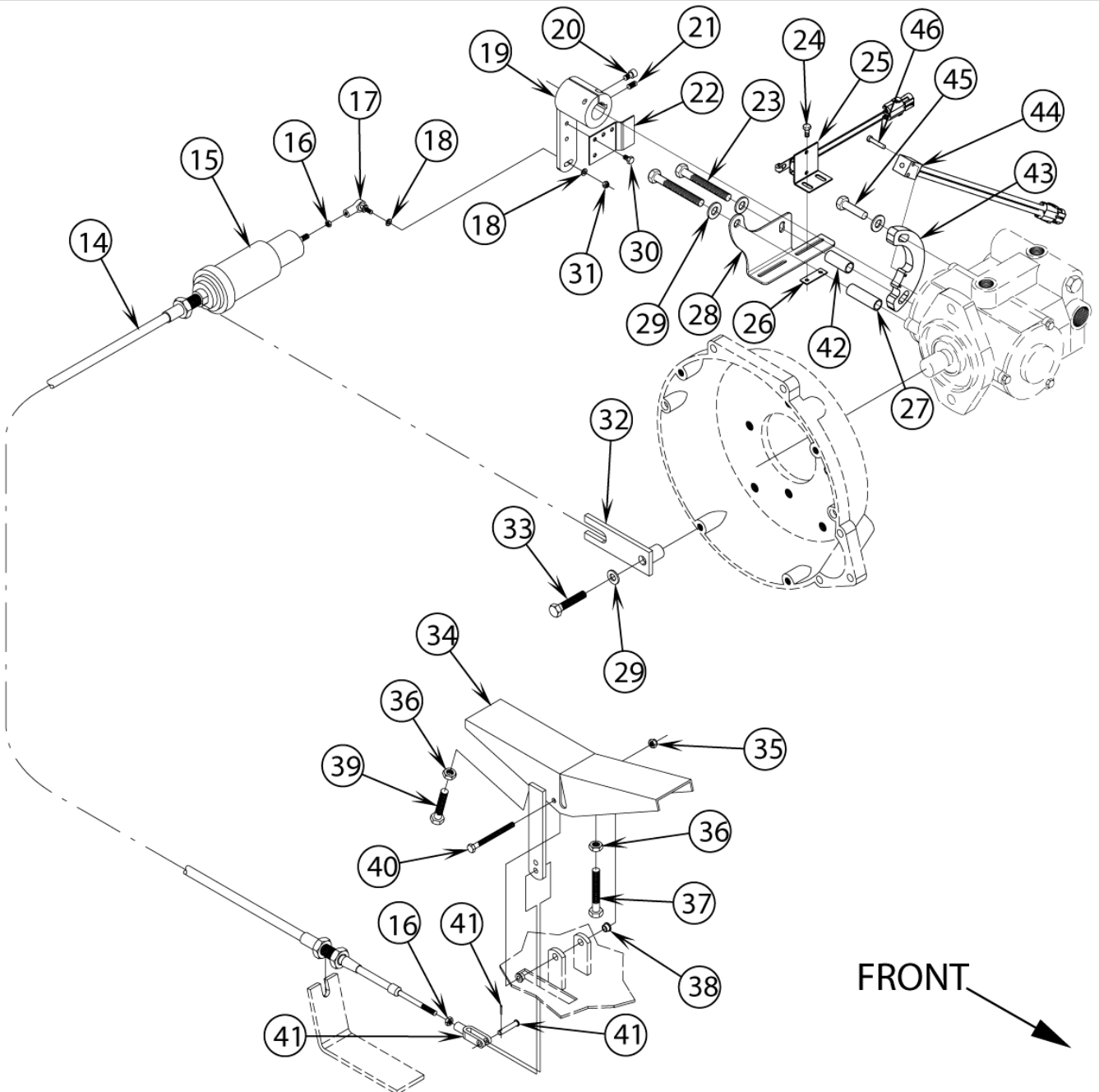
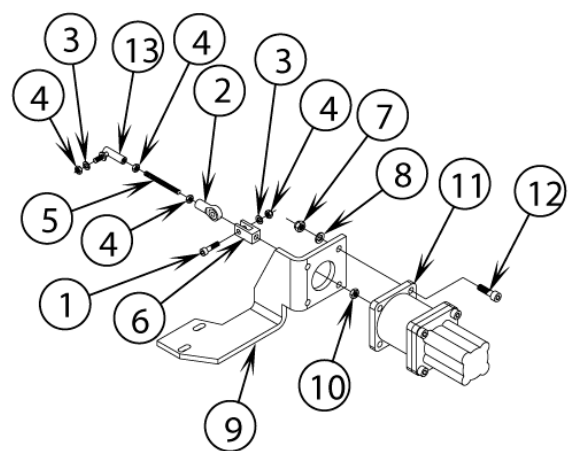
E113153

68

LP ACTUATOR ASSEMBLY



GAS ACTUATOR ASSEMBLY



GOVERNOR & DRIVE PEDAL LINKAGE (GAS/ L

CR 1700 D/G/P

26-02-2015

Part List ID

E113153

69

Pos	Part no.	Qty	Description	
0	56455049	1	L P ACTUATOR LINKAGE ASSY	LP - Pos. 1-12
0	56455052	1	GAS ACTUATOR LINKAGE ASSY	GAS - Pos. 1-12 - TSBUS2002-809
9	56455001	1	BRACKET ACTUATOR	GAS
9	56455228	1	BRACKET ACTUATOR	LP
11	56455822	1	ACTUATOR ASSY.	
13	56100101	1	BALL JOINT	GAS
14	56482677	1	CABLE THROTTLE	
15	56482539	1	HYDRO BACK	
16	56009142	2	NUT HEX MACHINE 1/4 28	
17	56463720	1	ROD END	
18	56002098	2	WSH FLT SAE 1/4	
20	56002032	1	SCR SOC HD 1/4 20 X .62	
21	56001841	1	SCR SOC SET LOC 1/4 20 X .25	
22	56463701	1	SWITCH ACTUATOR	
23	56002284	2	SCR HEX 3/8 16 X 3.25	
24	56009039	2	SCR HEX THD FORM 10-24X .50	
25	56462362	1	SWITCH ASSY.	
26	56324310	1	NUT PLATE	
27	56463717	2	SPACER	
28	56459459	1	BRACKET SWITCH	
29	56002063	2	WSH FLT SAE 3/8	
30	56009019	2	SCR HEX THD FORM 1/4-20X .38	
31	56002708	1	NUT HEX NYL LOC 1/4-20	
32	56463721	1	BRKT. WELDT.	
33	56002470	1	SCR HEX THD/HD 3/8-16 X 2.00	
34	56497313	1	PEDAL WELD.	
35	56002840	1	NUT HEX NYL LOC-THIN 1/4-20	
36	56002769	2	NUT HEX NYL LOC 3/8-16	
37	56002204	1	SCR HEX 3/8-16 X 3.00	
38	56756318	2	BEARING FLANGE .250 E00201	
39	56002684	1	SCR HEX 3/8-16 X 1.75	
40	56002397	1	SCR HEX 1/4 20 X 2.75	
41	56482542	1	CLEVIS ASSEMBLY	
43	56459958	1	MOUNT NEUTRAL START	
44	56460005	1	SEALED BALL SWITCH ASSY	
45	56002095	1	SCR HEX 3/8-16 X 1.50	

THROTTLE & DRIVE PEDAL LINKAGE (DIESE

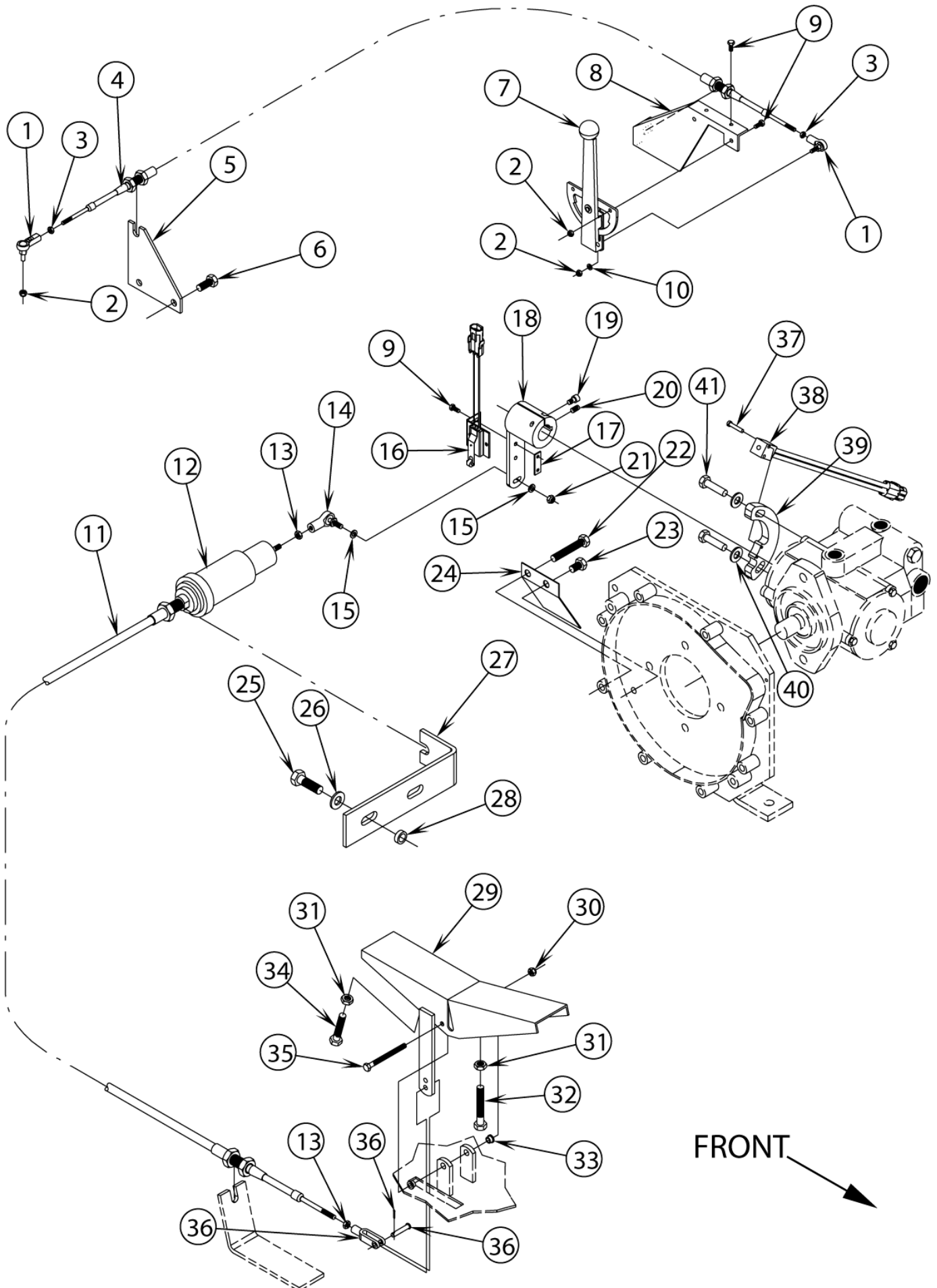
CR 1700 D/G/P

26-02-2015

Part List ID

E113155

70



THROTTLE & DRIVE PEDAL LINKAGE (DIESEL)

CR 1700 D/G/P

26-02-2015

Part List ID

E113155

71

Pos	Part no.	Qty	Description
1	56488290	2	ROD END
3	56003053	2	NUT HEX NYL LOC THIN 10 32
4	56488292	1	CABLE Throttle
5	56455750	1	BRACKET THROTTLE
6	56002663	2	SCR HEX 3/8-16 X 1.00
7	56456328	1	LEVER ASSEMBLY
8	56456548	1	ANCHOR THROT.CABLE
9	56002503	6	SCR HEX 10-24 X .50
10	56001954	1	WSH FLT SAE 10
11	56482677	1	CABLE THROTTLE
12	56482539	1	HYDRO BACK
13	56009142	2	NUT HEX MACHINE 1/4 28
14	56463720	1	ROD END
15	56002098	2	WSH FLT SAE 1/4
16	56462362	1	SWITCH ASSY.
17	56324310	1	NUT PLATE
19	56002032	1	SCR SOC HD 1/4 20 X .62
20	56001841	1	SCR SOC SET LOC 1/4 20 X .25
21	56002708	1	NUT HEX NYL LOC 1/4-20
22	56003021	6	SCR HEX M10-1.25 X 50 MM
23	56002663	1	SCR HEX 3/8-16 X 1.00
24	56463669	1	SWITCH ACTUATOR
25	56412361	2	BLADE SQGEE RED GUM FR
26	56001879	2	WSH FLT SAE 1/2
27	56463668	1	BRACKET HYDROBACK
28	56481456	2	BUSHING .50X.75X.25
29	56497313	1	PEDAL WELD.
30	56002840	1	NUT HEX NYL LOC-THIN 1/4-20
31	56002769	2	NUT HEX NYL LOC 3/8-16
32	56002204	1	SCR HEX 3/8-16 X 3.00
33	56756318	2	BEARING FLANGE .250 E00201
34	56002684	1	SCR HEX 3/8-16 X 1.75
35	56002397	1	SCR HEX 1/4 20 X 2.75
36	56482542	1	CLEVIS ASSEMBLY
38	56460005	1	SEALED BALL SWITCH ASSY
39	56459958	1	MOUNT NEUTRAL START
40	56002063	2	WSH FLT SAE 3/8
41	56002095	2	SCR HEX 3/8-16 X 1.50

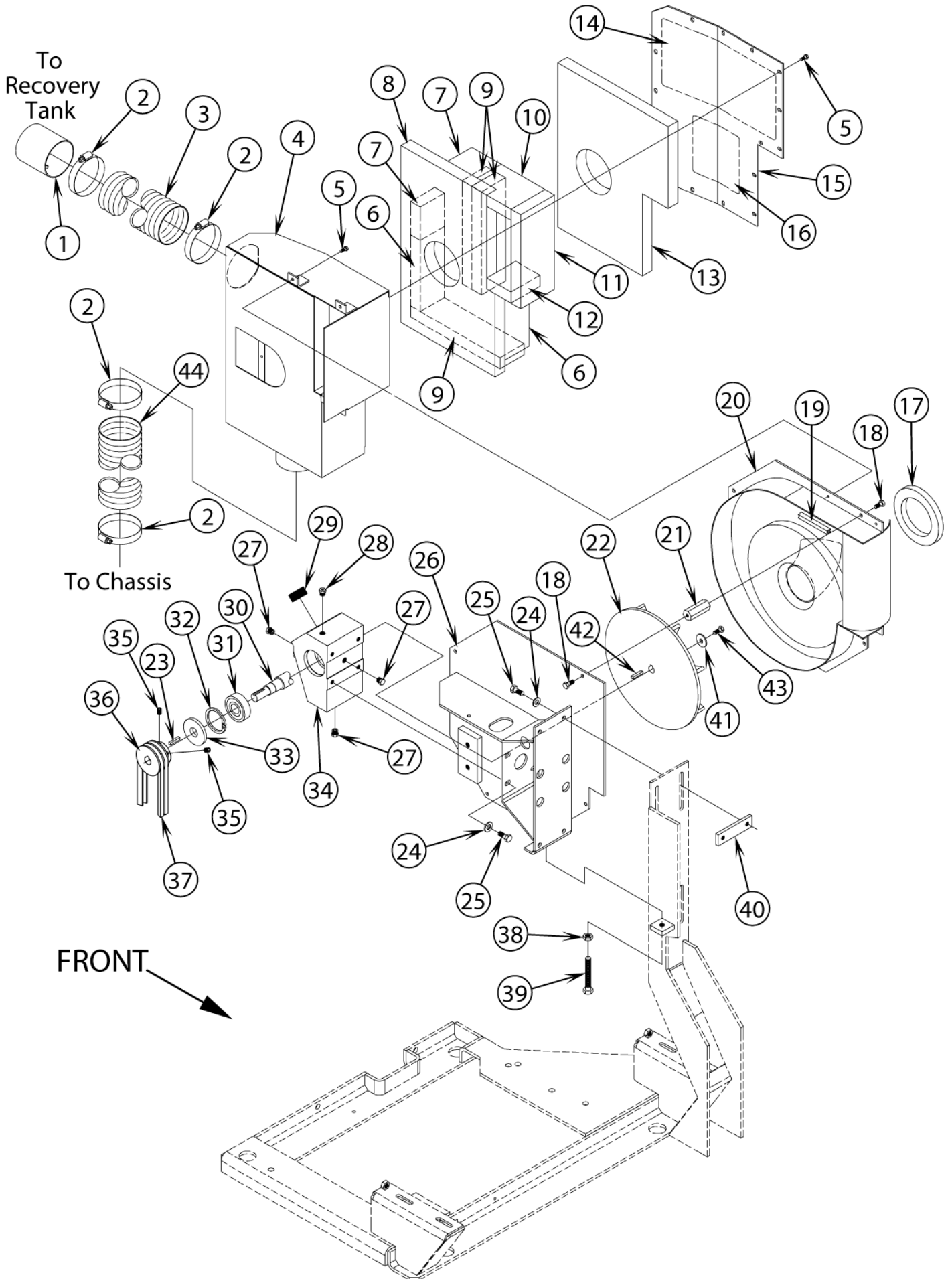
WET PICKUP IMPELLER ASSEMBLY

CR 1700 D/G/P

26-02-2015

Part List ID
E113157

72



WET PICKUP IMPELLER ASSEMBLY

CR 1700 D/G/P

26-02-2015

Part List ID
E113157

73

Pos	Part no.	Qty	Description
1	56457991	1	TUBE
2	56352829	4	CLAMP HOSE SAE 52 E00047
3	56463534	1	HOSE FLEX E00226
4	56463553	1	BOX MUFFLER WELDMT.
5	56009039	19	SCR HEX THD FORM 10-24X .50
6	56458699	2	FOAM SOUND E00532
7	56458706	2	FOAM SOUND E00532
8	56462122	1	FOAM SOUND
9	56458702	3	FOAM SOUND E00532
10	56458705	1	FOAM SOUND
11	56458703	1	FOAM SOUND E00532
12	56458704	1	FOAM SOUND E00532
13	56462121	1	FOAM SOUND
14	56015737	1	DECAL IMPELLER DRIVE
15	56463557	1	COVER
16	56015426	1	DECAL WARNING FAN
17	56459396	1	RING GASKET
18	56002948	8	SCR HEX LOC 1/4 20 X 0.75
19	56463473	1	TRIM U CHANNEL RAW 107 cm
20	56463014	1	SCROLL WLD.
21	56457339	4	SPACER HEX
22	56458622	1	IMPELLOR
23	56003239	1	KEY SQ .19 X 1.00
24	56001939	8	WSH FLT SAE 5/16
25	56002956	8	SCR HEX LOC 5/16 18 X .75
27	56481546	3	PLUG 1/8 27 NPT E00040
28	56463601	1	FITTING RELIEF
29	56463602	1	PLUG PIPE
30	56463605	1	SHAFT
31	56463604	2	BEARING BALL
32	56003314	2	RING RET INT TYPE HO 2.047 DIA
33	56463603	2	SEAL LIP
34	56459428	1	HOUSING FAN BEARING
34	56462116	1	HOUSING ASSY. Pos. 27-34
35	56002021	2	SCR SOC SET LOC 5/16 18 X .38
36	56463845	1	SHEAVE
37	56463841	1	BELT V SET OF 2 E00456
38	56002967	1	SCR PAN PHIL TYPE B 10 14X.62
39	56003006	1	SCR HEX THD TO HD 3/8-16X 2.75
40	56463547	2	PLATE. NUT
41	56009199	1	WSH FLT BRASS .266X1.250X.125
42	56003238	1	KEY SQ .19 X .78
43	56002922	1	SCR HEX LOC 1/4-20 X .62

WET PICKUP IMPELLER ASSEMBLY

CR 1700 D/G/P

26-02-2015

Part List ID E113157

74

Pos	Part no.	Qty	Description
44		1	NOTE COMMENT Cut from Squeegee Hose PN 56462164

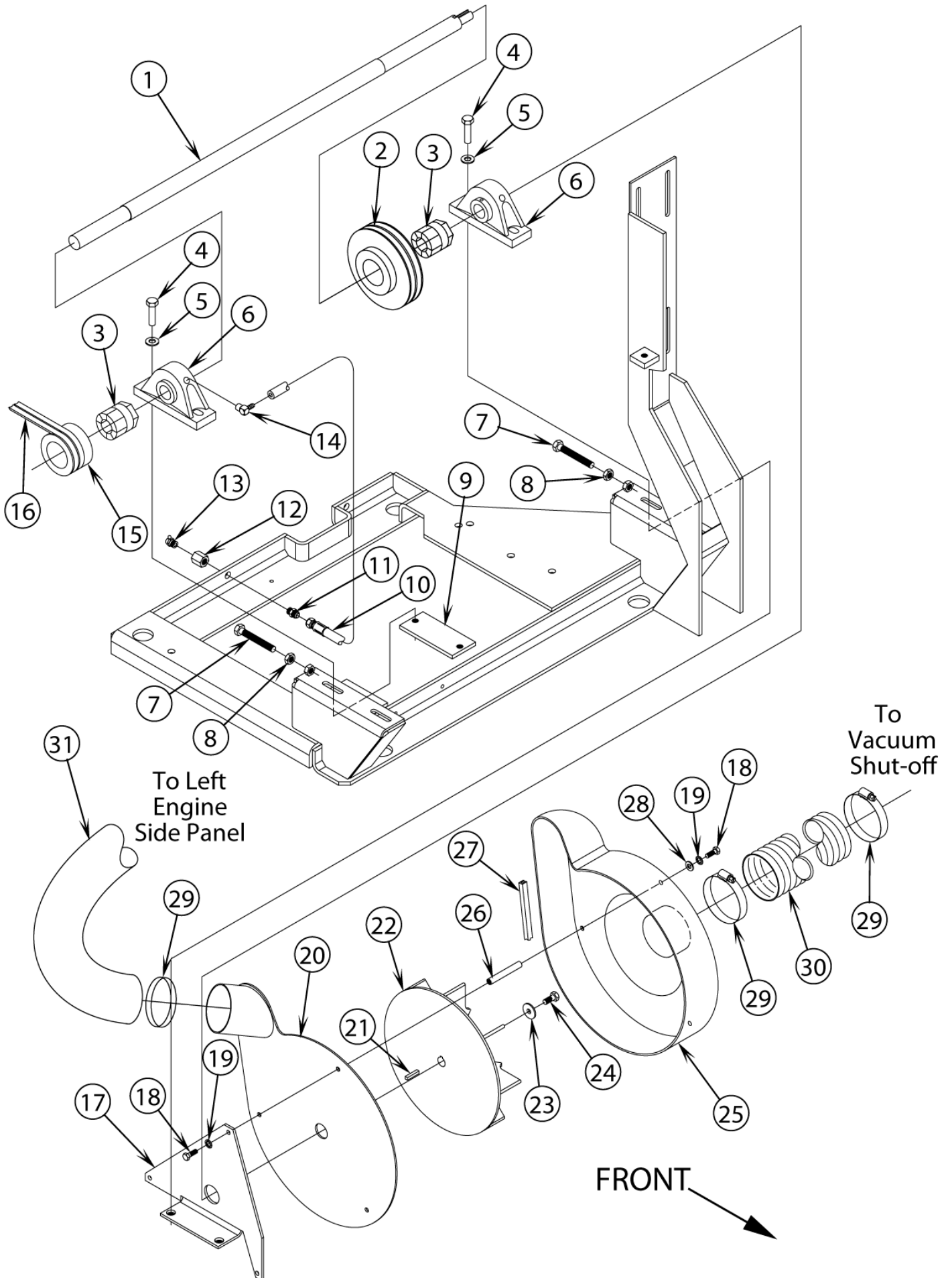
DUST CONTROL IMPELLER ASSEMBLY

CR 1700 D/G/P

26-02-2015

Part List ID
E113159

75



DUST CONTROL IMPELLER ASSEMBLY

CR 1700 D/G/P

26-02-2015

Part List ID
E113159

76

Pos	Part no.	Qty	Description	
1	56463331	1	SHAFT	Diesel
1	56463387	1	SHAFT	GAS/LP
2	56463384	1	SHEAVE	
3	56463390	2	BUSHING	
4	56002747	4	SCR HEX THD/HD 3/8-16 X 1.50	
5	56002063	4	WSH FLT SAE 3/8	
6	56463386	2	BEARING PILLOW BLK	
7	56003006	2	SCR HEX THD TO HD 3/8-16X 2.75	Qty. of 1 on Diesel
8	56002967	2	SCR PAN PHIL TYPE B 10 14X.62	Qty. of 1 on Diesel
9	56462094	1	PLATE NUT	
10	56462325	2	HYD. HOSE ASSY. E00021	
11	56462323	2	CONNECTOR MALE E00019	
12	56749649	2	COUPLING 1/8 BRASS	
13	56101818	2	FITTING LUBE 1/8NPTA35G	
14	56755726	2	HOSE BARB 1/4 BARB X 1/8-27	
16	56458682	1	BELT V SET OF 2 E00456	GAS/LP
16	56462888	2	V BELT SET OF 2 E00456	Diesel
17	56463388	1	BRACKET	
18	56002155	6	SCR HEX 1/4-20 X .75	
19	56009064	6	WSH INT SHPRF 1/4	
21	56003239	1	KEY SQ .19 X 1.00	
22	56478668	1	IMPELLER RE445	
23	56358959	1	WSH PLATED AR131C	
24	56002956	1	SCR HEX LOC 5/16 18 X .75	
25	56463334	1	SHROUD	
26	56478762	3	SPACER RE445B	
27	56463473	1	TRIM U CHANNEL RAW	
28	56002098	6	WSH FLT SAE 1/4	
29	56352829	3	CLAMP HOSE SAE 52 E00047	
30	56463345	1	HOSE 3.00 X 56 E00226	
31	56331332	1	HOSE VAC.E00226	

VACUUM SHUT-OFF ASSEMBLY

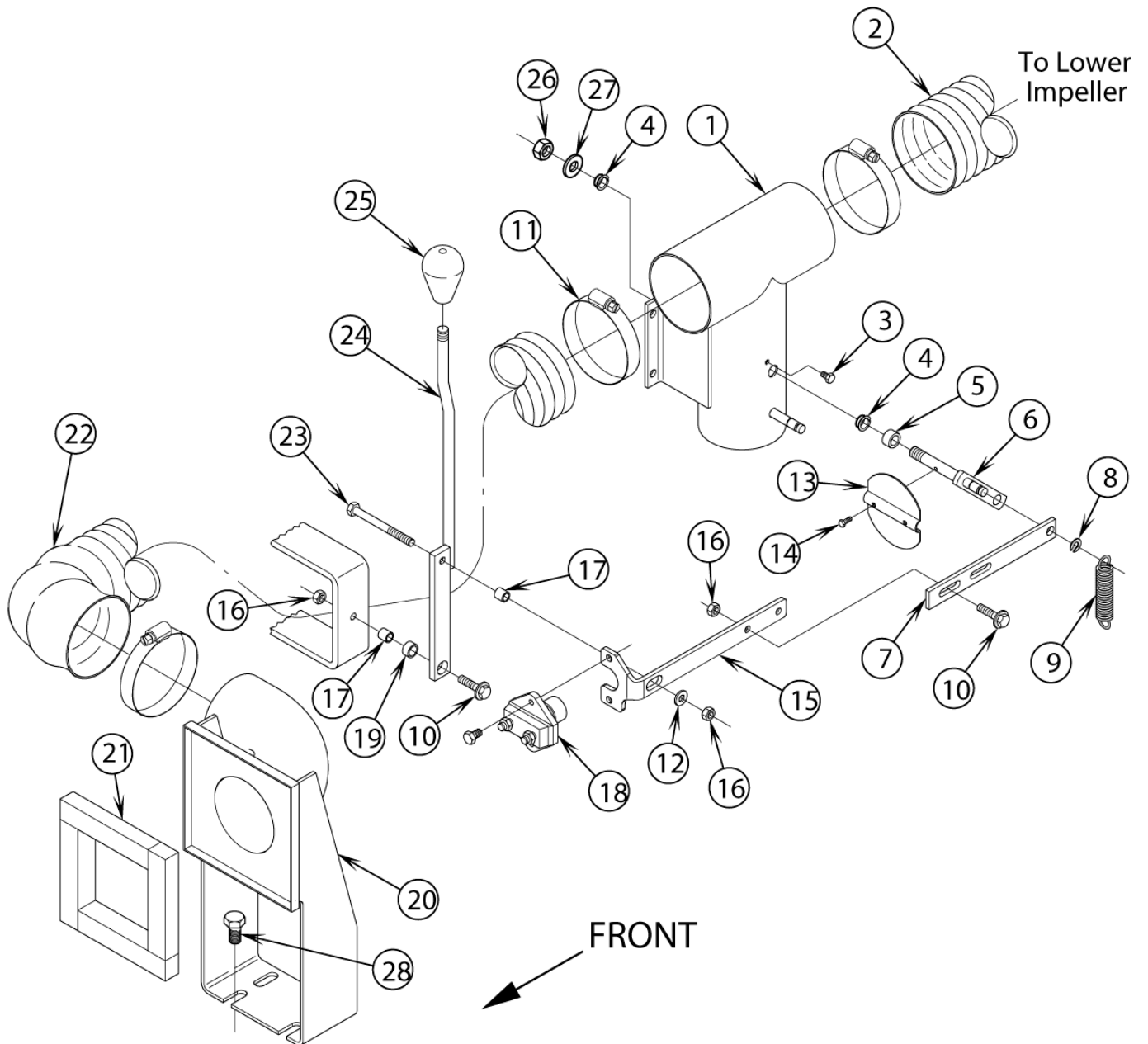
CR 1700 D/G/P

26-02-2015

Part List ID

E113161

77



VACUUM SHUT-OFF ASSEMBLY

CR 1700 D/G/P

26-02-2015

Part List ID
E113161

78

Pos	Part no.	Qty	Description
1	56462169	1	VAC CHAMBER WELDMT.
2	56462245	1	HOSE E00226
3	56009039	1	SCR HEX THD FORM 10-24X .50
4	56329098	2	BUSHING NYLON .375 HC238F
5	56232181	1	BUSHING .37X.56X.31FC218J
7	56462185	1	STRAP
8	56003261	1	RING RET EXT TYPE E
9	56371866	1	SPRING EXT .40X2.56CV311J
10	56009018	3	SCR HEX THD FORM 1/4-20X .75
11	56352829	3	CLAMP HOSE SAE 52 E00047
12	56002098	4	WSH FLT SAE 1/4
13	56469045	1	PLATE AIR VENT
14	56002589	2	SCR HEX 6-32 X .50
15	56462180	1	LINKAGE
16	56002708	4	NUT HEX NYL LOC 1/4-20
17	56151106	2	BUSHING .25X.37X.34G31J
18	56441555	1	SWITCH START SPST 26240 4
19	56368970	1	BEARING SLEEVE .375CV82FE00202
21	56462168	1	GASKET
22	56463345	1	HOSE 3.00 X 56 E00226
23	56001856	1	SCR HEX 1/4 20 X 2.25
25	56492792	1	KNOB
26	56002769	1	NUT HEX NYL LOC 3/8-16
27	56002063	1	WSH FLT SAE 3/8
28	56002256	4	SCR HEX TYPE1 3/8-16X 1.00

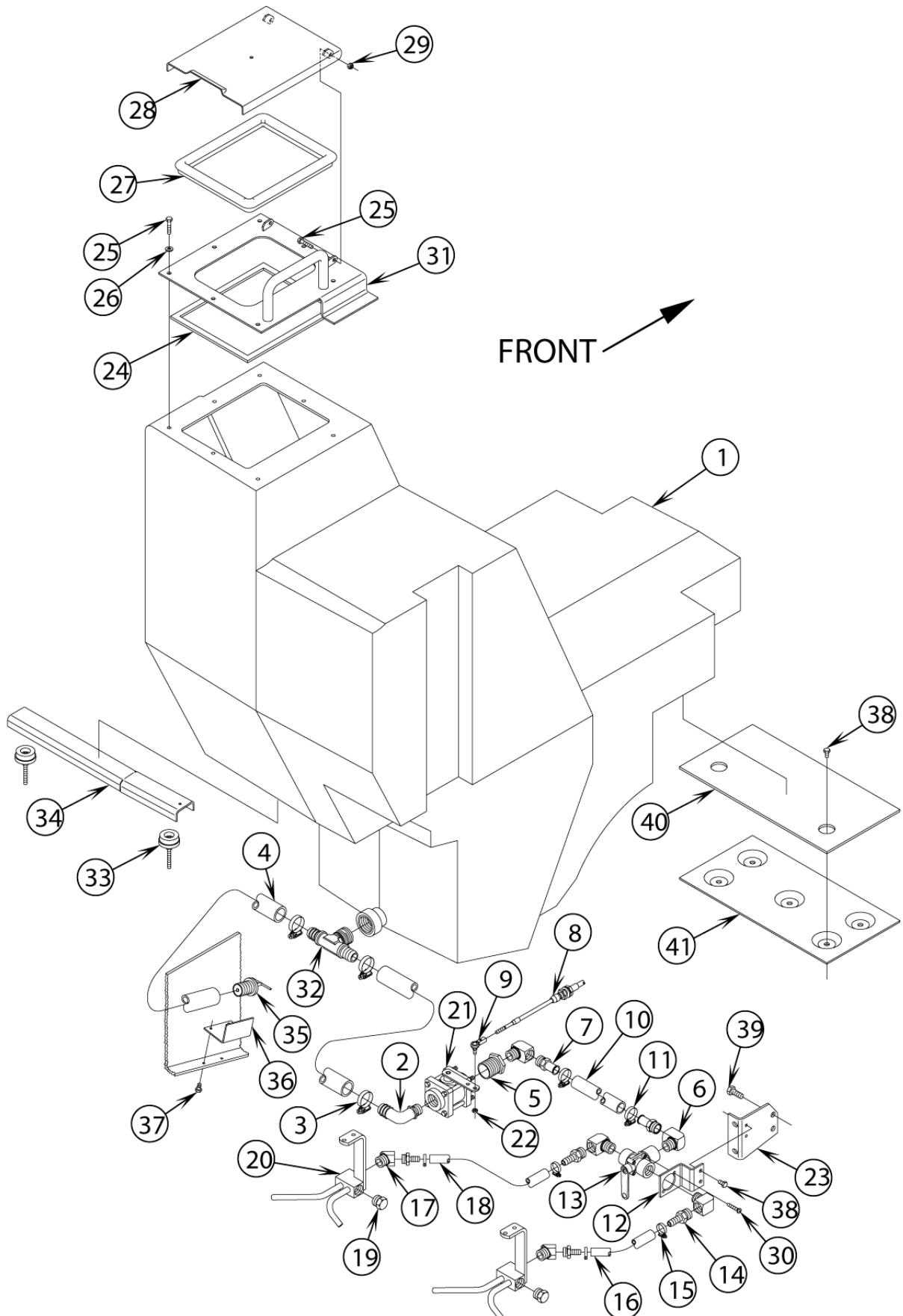
SOLUTION SYSTEM

CR 1700 D/G/P

26-02-2015

Part List ID
E113163

79



SOLUTION SYSTEM

CR 1700 D/G/P

26-02-2015

Part List ID
E113163

80

Pos	Part no.	Qty	Description	
1	56100665	1	SOLUTION TANK KIT	
1	56462528	1	SOL. TANK ASSY.	
2	56449877	1	BARB 1X1X90 PVC E00037	
3	56244969	3	CLAMP HOSE SAE 12 E00047	
4	56456831	2	HOSE 1.00 X 32.00	
5	56900870	1	BUSHING 3/4 1/2 NPT E00148	
6	56742125	4	STREET EL 1/2X901033-A E00031	
7	56900648	2	BARB HOSE E00039	
8	56488292	1	CABLE	
9	56488290	1	ROD END	
10	56100028	9	HOSE HEATER	
11	56131601	2	CLAMP HOSE SAE 16 E00047	
12	56453936	1	BRACKET	
13	56454612	1	VALVE FLOW CONTROL	
14	56118117	4	BARB 1/2X1/2 BRASS E00039	
15	56219932	4	CLAMP HOSE SAE 6 E00047	
16	56462681	1	HOSE	
17	56900240	2	ELBOW STREET 45 DE E00029	
18	56462682	1	HOSE	
19	56462850	2	PLUG PIPE E00040	
21	56456617	1	VALVE ASSY. W/LONG	
21	56462529	1	HANDLE WELDMENT	
22	56003053	1	NUT HEX NYL LOC THIN 10 32	
23	56462829	1	HOSE 1/8 X 189 E00554	
24	56209435	1	GASKET	
25	56002901	9	SCR HEX SS 1/4-20 X 1.50	
26	56002491	7	NUT HEX NYL LOC SS 1/4-20	Not shown
26	56002914	7	WSH FLT STD SS 1/4	
26	56900737	7	WASHER SEALING E00256	Not shown
28	56462537	1	COVER WELDMENT	
29	56002491	2	NUT HEX NYL LOC SS 1/4-20	
30	56002728	2	SCR PANPHILTHDFRM 10-24 X 1.25	
31	56462534	1	PLATE WELDMENT	
32	56462953	1	BARB TEE E00455	
33	56449221	2	BUMPER 1.43 DIA. CV660N	
34	56462853	1	CHANNEL	
35	56260098	1	PLUG T HANDLE	
36	56462964	1	BRACKET	
37	56009039	2	SCR HEX THD FORM 10-24X .50	
38	56003039	4	SCR HEX LOC 1/4-20 X .50	
39	56002947	2	SCR HEX LOC 3/8-16 X 1.00	
40	56463511	1	PAD	
41	56463512	1	PLATE TANK SUPPORT	

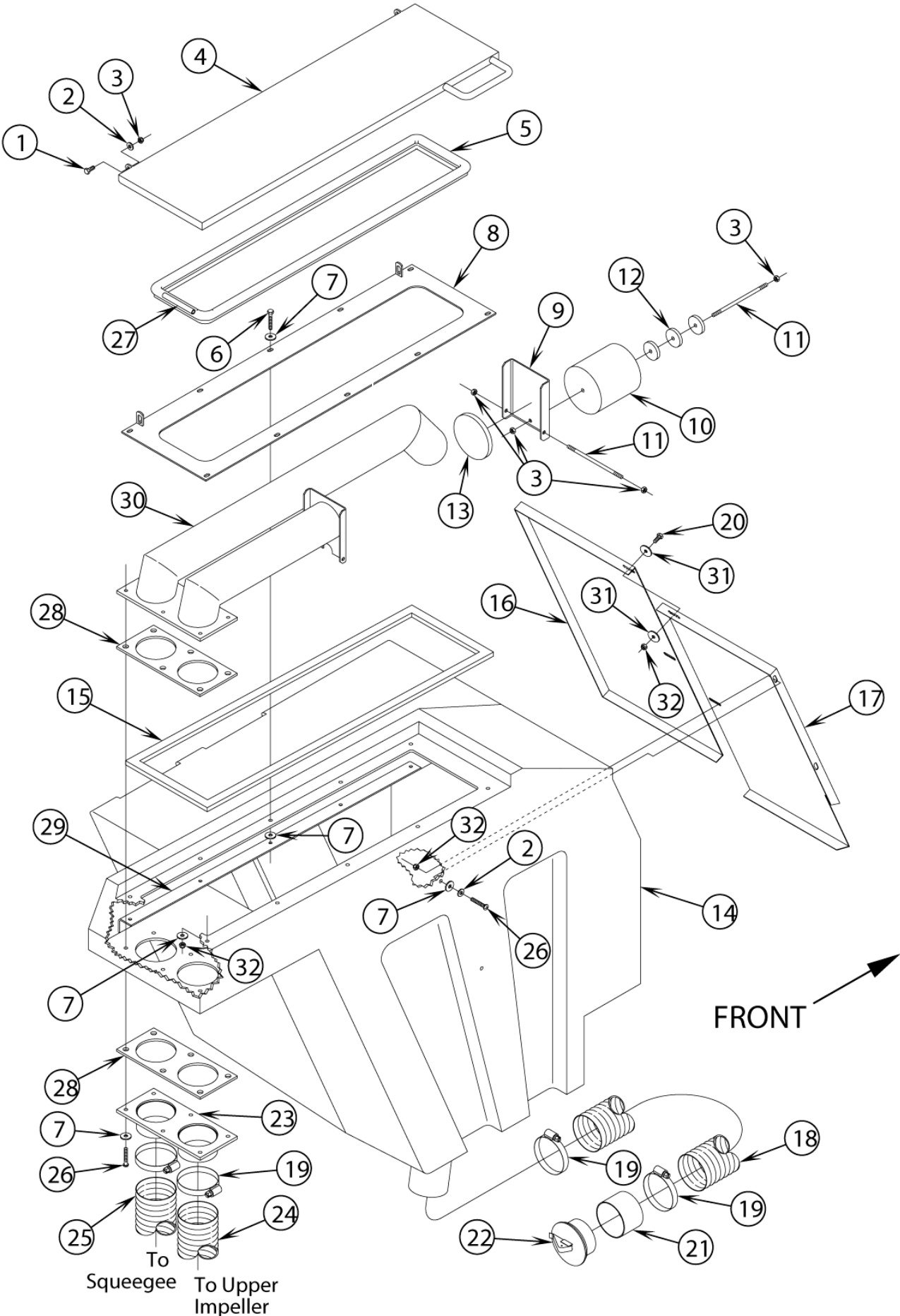
RECOVERY TANK

CR 1700 D/G/P

26-02-2015

Part List ID
E113165

81



RECOVERY TANK

CR 1700 D/G/P

26-02-2015

Part List ID
E113165

82

Pos	Part no.	Qty	Description
1	56003047	2	SCR HEX SS 1/4-20 X .62
2	56002914	6	WSH FLT STD SS 1/4
3	56002491	6	NUT HEX NYL LOC SS 1/4-20
5	56380534	1	BULB SEAL-72 IN
6	56002901	10	SCR HEX SS 1/4-20 X 1.50
7	56900737	30	WASHER SEALING E00256
8	56462557	1	PLATE WELDMENT
9	56462556	1	PLATE FLOAT
10	56385198	1	FOAM CYLINDER FLOAT
11	56454724	2	ROD 5.75 IN.
12	56454721	3	WEIGHT
13	56463106	1	GASKET
14	56462526	1	TANK RECOVERY ASSY With pos. 6-8, 15
15	56462998	7	GASKET RS 3/8X3/4 E00252
18	56462689	1	HOSE 3.0 FLEXIBLE E00226
19	56352829	4	CLAMP HOSE SAE 52 E00047
20	56003047	2	SCR HEX SS 1/4-20 X .62
21	56462774	1	TUBE-PLUG RETAINER
22	56462703	1	PLUG-EXPANSION DRAI
23	56463532	1	MOUNT WLMT. RIGHT
24	56331332	1	HOSE VAC.E00226
25	56462164	1	HOSE 3.0 FLEXIBLE E00226
26	56002905	10	SCR PAN PHIL SS 1/4-20 X 1.50
27	56757375	6	TUBE 1/4 ID X 3/8 E00189
28	56462546	2	GASKET
30	56462547	1	TUBE WELDMENT
31	56009060	4	WSH FLT SS .260X1.000X.074
32	56002491	11	NUT HEX NYL LOC SS 1/4-20

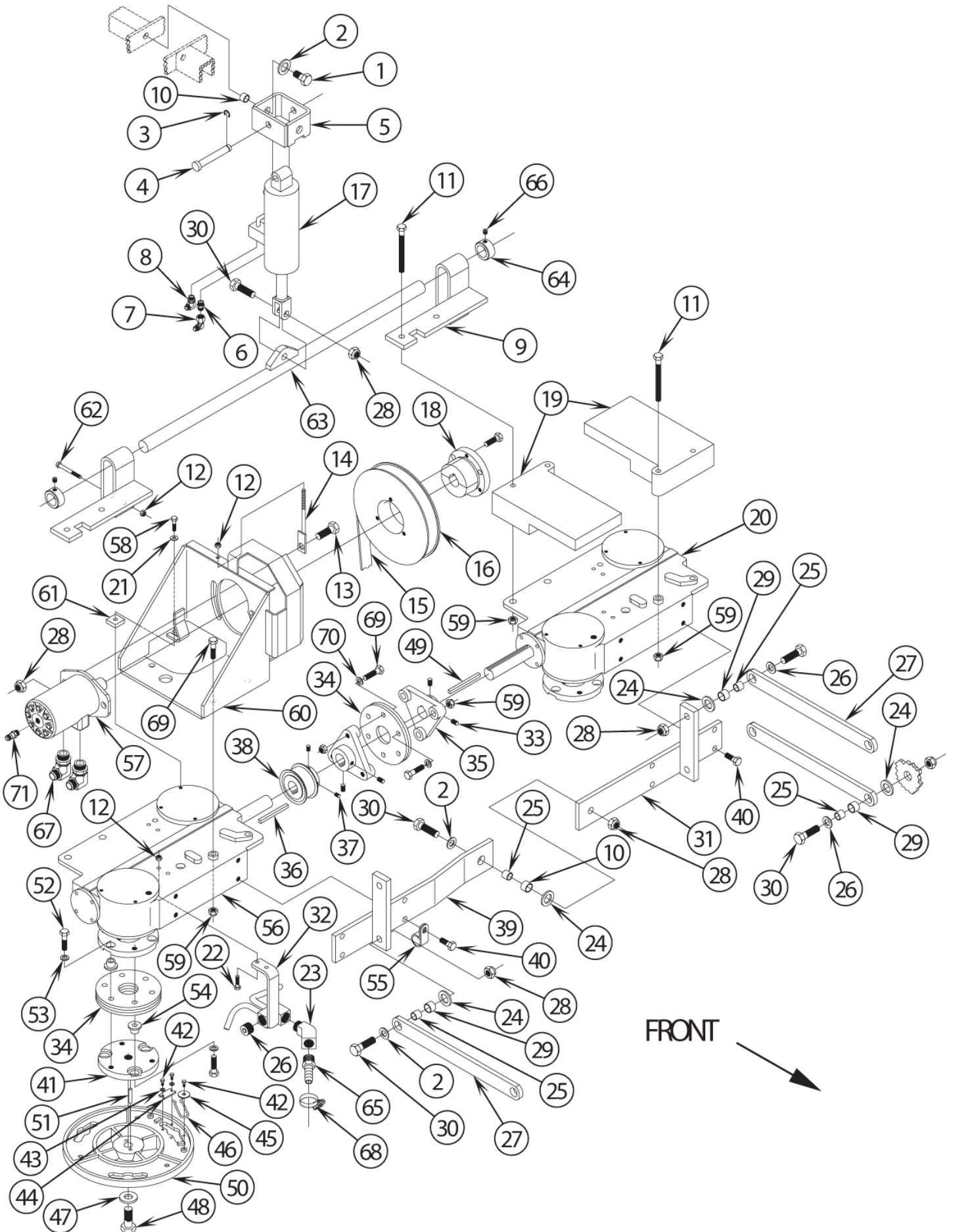
SCRUB BRUSH SYSTEM

CR 1700 D/G/P

26-02-2015

Part List ID
E113167

83



SCRUB BRUSH SYSTEM

CR 1700 D/G/P

26-02-2015

Part List ID E113167

84

Pos	Part no.	Qty	Description	
0	56505750	4	PAD HOLDER-12 3 LUG	Optional Accessory
0	56505751	4	DISC BRUSH-12 MAGNAGRIT 3 LUG	Not shown
0	56505752	4	DISC BRUSH-12 DYNAGRIT 3 LUG	Optional Accessory
0	56505753	4	DISC BRUSH-12 AGLITE 3 LUG	Optional Accessory
0	56505754	4	DISC BRUSH-12 PROLENE 3 LUG	Optional Accessory
0	56505755	4	DISC BRUSH-12 PROLITE 3 LUG	Optional Accessory
0	56505756	4	DISC BRUSH-12 UNION MIX 3 LUG	Optional Accessory
0	56505757	4	DISC BRUSH-12 MIDGRIT 3 LUG	Optional Accessory
0	56505758	4	DISC BRUSH-12 MIDLITE 3 LUG	Optional Accessory
1	56003083	2	SCR HEX LOC 1/2-13 X 1.00	
2	56009017	11	WSH FLT HDN .516X.938X.075	
3	56003264	1	RING RET EXT TYPE E	
4	56463346	1	PIN	
6	56900001	1	CONNECTOR 0 RING 4 E00001	
7	56900301	1	ELBOW 90D W/NUT 4 E00007	
8	56900101	1	ELBOW 90 DEG.O/R 4 E00003	
9	56462339	2	HOOK WELDMENT	
10	56462848	1	BUSHING	
11	56002977	6	SCR HEX THD TO HD 3/8-16 X 4.0	
12	56002708	7	NUT HEX NYL LOC 1/4-20	
13	56001968	2	SCR HEX 1/2 13 X 1.50	
14	56462238	1	BELT TENSIONER WLDM	
15	56463880	1	BELT SYNCHRONOUS E00450	TSBUS2003-832
16	56100040	1	PULLEY	
17	56463618	1	CYLINDER	
18	56462345	1	BUSHING SPLIT TAPER	With Key
19	56455462	3	WEIGHT	
20	56463539	1	LT.GEAR CASE ASSY.	
21	56002098	1	WSH FLT SAE 1/4	
22	56001821	4	SCR HEX 1/4 20 X .88	
23	56900240	2	ELBOW STREET 45 DE E00029	
24	56009022	9	WSH FLT .752/.756X1.250X.125	
25	56367206	9	BUSHING CV32G	
26	56462850	2	PLUG PIPE E00040	
27	56462331	4	ARM PARALLEL	
28	56002770	12	NUT HEX NYL LOC 1/2-13	
29	56367168	8	BEARING SLEEVE .627CV32DE00202	
30	56001995	10	SCR HEX 1/2 13 X 1.75	
33	56002021	4	SCR SOC SET LOC 5/16 18 X .38	
34	56104647	14	DISC C13	
35	56462527	2	UNIVERSAL CASTING	
36	56003250	1	KEY SQ .25 X 3.25	
37	56002930	2	SCR SOC SET LOC 1/4 20 X .38	

SCRUB BRUSH SYSTEM

CR 1700 D/G/P

26-02-2015

Part List ID
E113167

85

Pos	Part no.	Qty	Description	
38	56462524	1	PULLEY	
40	56002947	8	SCR HEX LOC 3/8-16 X 1.00	
41	56448263	4	COUPLER CASTING LOWCV622B	
42	56002043	12	SCR PAN PHIL 10 24 X .38	
43	56009011	8	WSH INT SHPRF 10	
44	56366455	4	PLATE CV24B	
45	56009002	4	WASHER FLAT .266X.906X.060	
46	56366463	4	SPRING RETAINER CV24C	
47	56002022	4	WSH FLT SAE 5/8	
48	56002156	4	SCR HEX 5/8-18 X 1.50	
49	56003246	1	KEY SQ .25 X 1.62	
50	56363189	4	HOLDER CASTING CA44	
51	56362077	8	PIN DWL GND... .25 E00177	
52	56003031	24	SCR HEX LOC 3/8 16 X 2.00	
53	56002068	24	WSH LOC HIGH COLLAR 3/8	
54	56448268	24	BUSHING FLANGE .390CV622D	
55	56496276	1	CLAMP HOSE SUPPORT	
56	56463538	1	RT.GEAR CASE ASSY.	
57	56479577	1	SEAL KIT	For 56479606 - Not shown
57	56479606	1	MOTOR MAIN BROOM RE480B	TSBUS2000-738
58	56002093	1	SCR HEX 1/4-20 X 1.00	
59	56002769	15	NUT HEX NYL LOC 3/8-16	
60	56462676	1	MOUNT WELDMENT	
61	56463561	1	SPACER	
62	56001856	2	SCR HEX 1/4 20 X 2.25	
63	56463620	1	LIFT ROD WELDT	
64	56444820	2	COLLAR 1.0X1.5X.50 CV491FA	
65	56118117	2	BARB 1/2X1/2 BRASS E00039	
66	56002021	2	SCR SOC SET LOC 5/16 18 X .38	
67	56900114	2	ELBOW 90 O/R 8 10 E00003	
68	56219932	2	CLAMP HOSE SAE 6 E00047	
69	56002684	9	SCR HEX 3/8-16 X 1.75	
70	56002063	6	WSH FLT SAE 3/8	
71	56900001	1	CONNECTOR O RING 4 E00001	After SN1508902

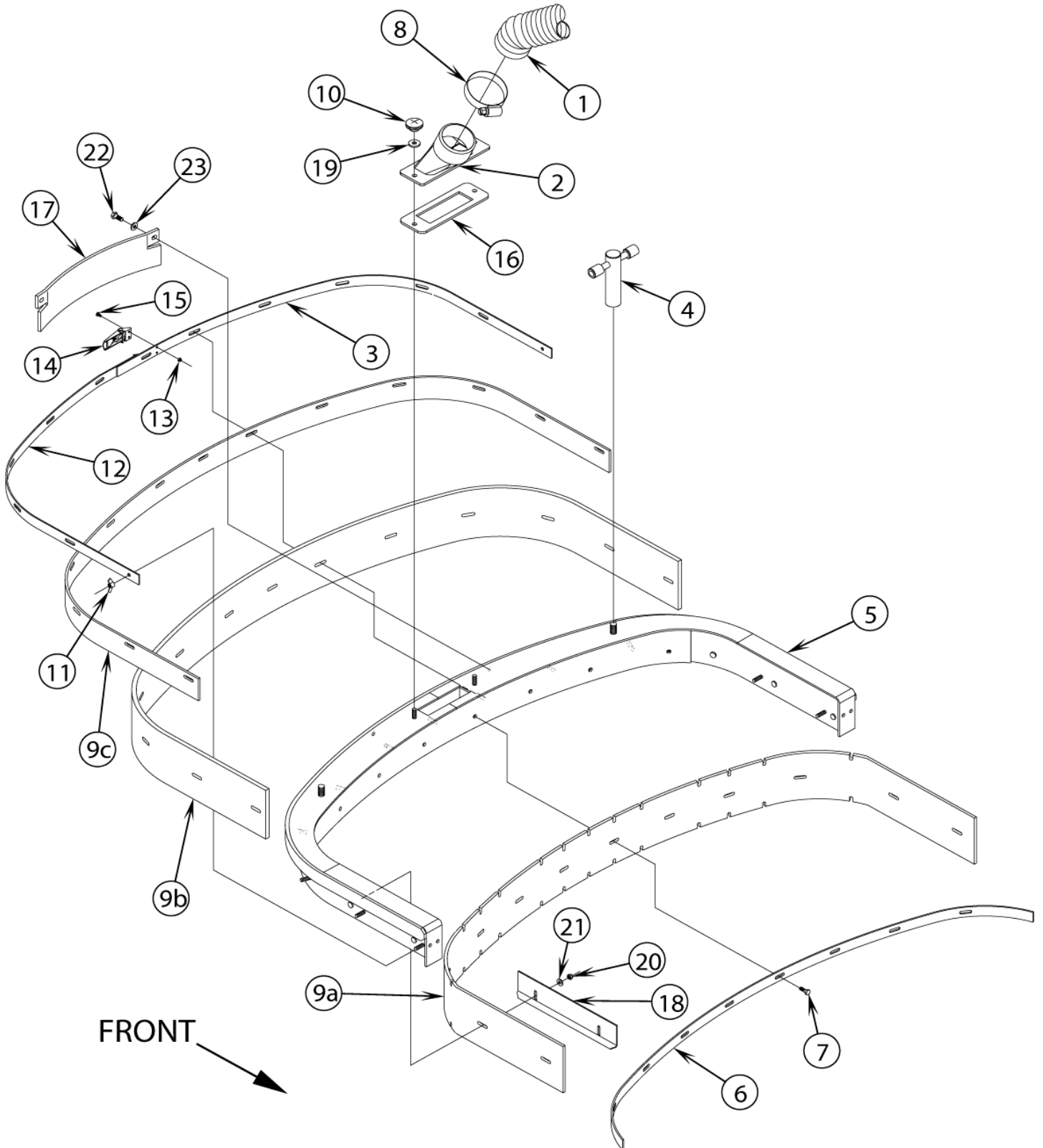
SQUEEGEE ASSEMBLY

CR 1700 D/G/P

26-02-2015

Part List ID
E113169

86



SQUEEGEE ASSEMBLY

CR 1700 D/G/P

26-02-2015

Part List ID
E113169

87

Pos	Part no.	Qty	Description	
1	56462164	1	HOSE 3.0 FLEXIBLE E00226	2.5 m
2	56459102	1	ADAPTOR	
3	56462790	1	STRAP LEFT	
4	56463431	2	SQUEEGEE KNOB ASSY.	
5	56462777	1	SQUEEGEE WELDMT.	
5	56462819	1	SQUEEGEE ASSY.	
6	56462792	1	STRAP FRONT	
7	56009018	8	SCR HEX THD FORM 1/4-20X .75	
8	56352829	1	CLAMP HOSE SAE 52 E00047	
10	56386222	2	KNOB 1.37X5/16 18 CL436M	
11	56009111	2	NUT WING S.S. 1/4 20	
12	56462791	1	STRAP RIGHT	
13	56002964	2	NUT HEX NYL LOC THIN SS 6-32	
14	56471194	1	LATCH ASSY RE32	
15	56009044	2	SCR PAN PHIL 6 32 X .31	
16	56459281	1	GASKET INLET	
17	56463429	1	GUARD SQUEEGEE	
18	56462793	2	BLADE SUPPORT	
19	56009122	2	WSH FLT .344X.938X.125	
20	56002491	4	NUT HEX NYL LOC SS 1/4-20	
21	56002914	4	WSH FLT STD SS 1/4	
22	56002956	2	SCR HEX LOC 5/16 18 X .75	
23	56001939	2	WSH FLT SAE 5/16	
9A	56463846	1	BLADE SQGEE RED GUM FR	
9B	56463286	1	BLADE SQGEE RED GUM RR	
9C	56462788	1	BLADE SQUEEGEE NEOPRENE	
9C	56462877	1	BLADE KIT SQUEEGEE GUM	Optional
9C	56462878	1	SQUEEGEE KIT	Optional

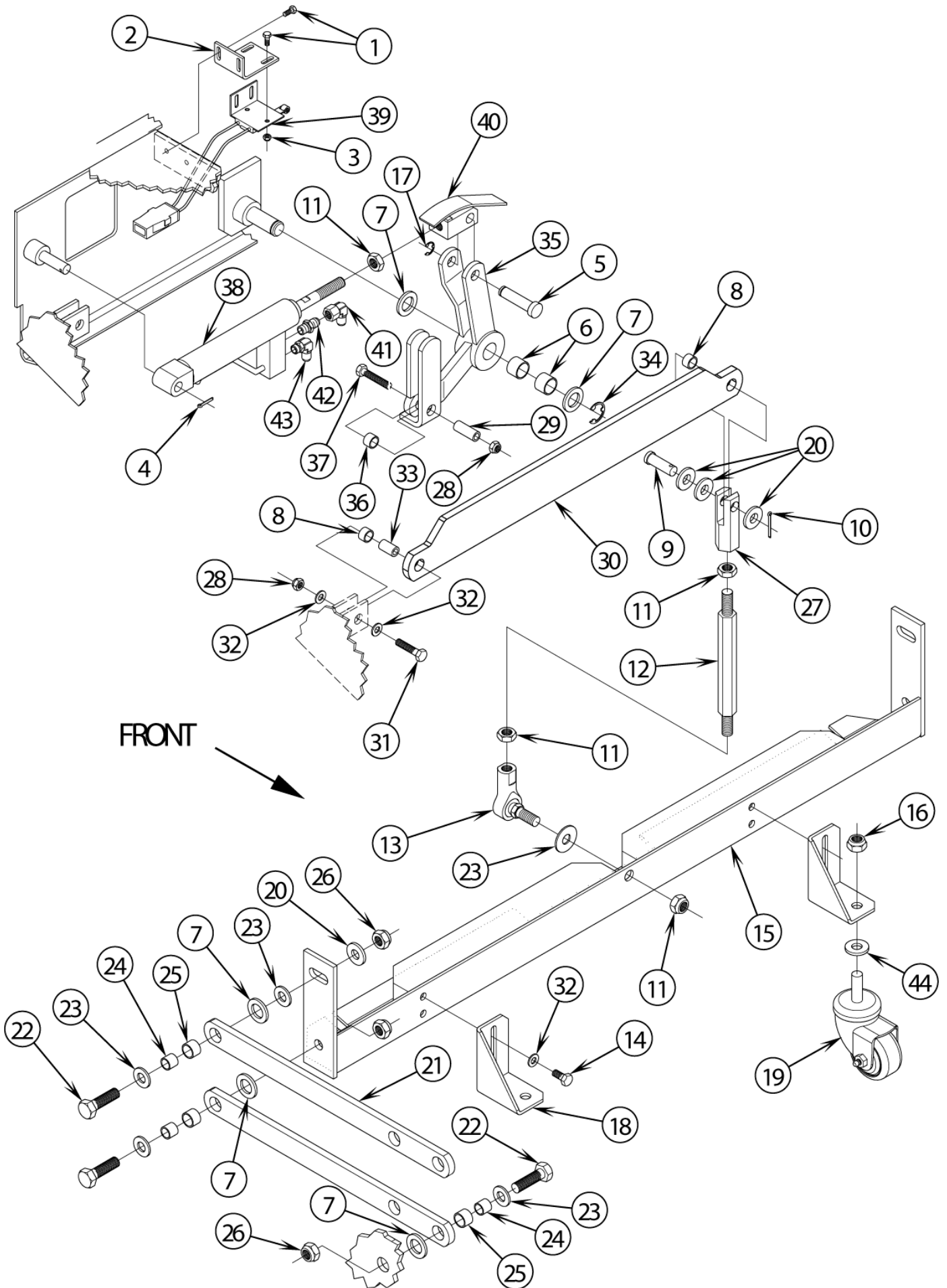
SQUEEGEE MOUNT & LIFT

CR 1700 D/G/P

26-02-2015

Part List ID
E113171

88



SQUEEGEE MOUNT & LIFT

CR 1700 D/G/P

26-02-2015

Part List ID
E113171

89

Pos	Part no.	Qty	Description	
1	56009039	4	SCR HEX THD FORM 10-24X .50	
2	56463398	1	BRACKET	
3	56002832	2	NUT HEX NYL LOC-THIN 10-24	
4	56002946	1	PIN COT .06 X 1.00	
5	56462813	1	PIN	
6	56441406	2	BEARING SLEEVE .753CV435JE0202	
7	56009022	10	WSH FLT .752/.756X1.250X.125	
8	56366633	2	BEARING SLEEVE .501CV26HE00202	
9	56486733	1	PIN .5 X 1.5	
10	56002181	1	PIN COT .12 X 1.50	
11	56002773	4	NUT HEX NYL LOC 1/2-20	
12	56462947	1	ROD	
13	56477813	1	BALL JOINT	
14	56002956	4	SCR HEX LOC 5/16 18 X .75	
15	56462800	1	MOUNT WELDMT.	
16	56002770	2	NUT HEX NYL LOC 1/2-13	See Note 1
17	56003264	1	RING RET EXT TYPE E	
18	56462814	2	BRACKET CASTOR	See Note 1
19	56407344	2	CASTER	See Note 1
20	56001879	5	WSH FLT SAE 1/2	
21	56462812	4	LIFT ARM	
22	56001995	8	SCR HEX 1/2 13 X 1.75	
23	56009017	11	WSH FLT HDN .516X.938X.075	
24	56367206	8	BUSHING CV32G	
25	56367168	8	BEARING SLEEVE .627CV32DE00202	
26	56002770	8	NUT HEX NYL LOC 1/2-13	
27	56463311	1	YOKE	
28	56002701	2	NUT HEX NYL LOC 5/16-18	
29	56300241	1	BUSHING .33X.50X1.3HA515A	
30	56463849	1	ARM LIFT	TSBUS2001-755
31	56002094	1	SCR HEX 5/16-18 X 1.50	
32	56001939	6	WSH FLT SAE 5/16	
33	56398618	1	BUSHING .31X.50X.87CT433L	
34	56003266	1	RING RET EXT TYPE E	
35	56462804	1	ARM WELDMT.	TSBUS2001-755
36	56360627	1	BUSHING .50X.62X.41CT32G	
37	56002368	1	SCR HEX THD/HD 5/16-18 X 1.75	
38	56492025	1	CYLINDER	
39	56462362	1	SWITCH ASSY.	
41	56900001	1	CONNECTOR O RING 4 E00001	
42	56900301	1	ELBOW 90D W/NUT 4 E00007	

Note 1: The original caster had a threaded shaft of 3/8", this new caster (56407344) has a 1/2" diameter shaft. When replacing the casters on machines before SN 1396728 you will need to order a replacement 1/2" nut (56002770) and 1/2" washer (56001879), also the hole in (18) Bracket will have to be

SQUEEGEE MOUNT & LIFT

CR 1700 D/G/P

26-02-2015

Part List ID
E113171

90

Pos	Part no.	Qty	Description
43	56900101	1	ELBOW 90 DEG.O/R 4 E00003
44	56001879	2	WSH FLT SAE 1/2 See Note 1

Note 1: The original caster had a threaded shaft of 3/8", this new caster (56407344) has a 1/2" diameter shaft. When replacing the casters on machines before SN 1396728 you will need to order a replacement 1/2" nut (56002770) and 1/2" washer (56001879), also the hole in (18) Bracket will have to be

ELECTRICAL DIAGRAM

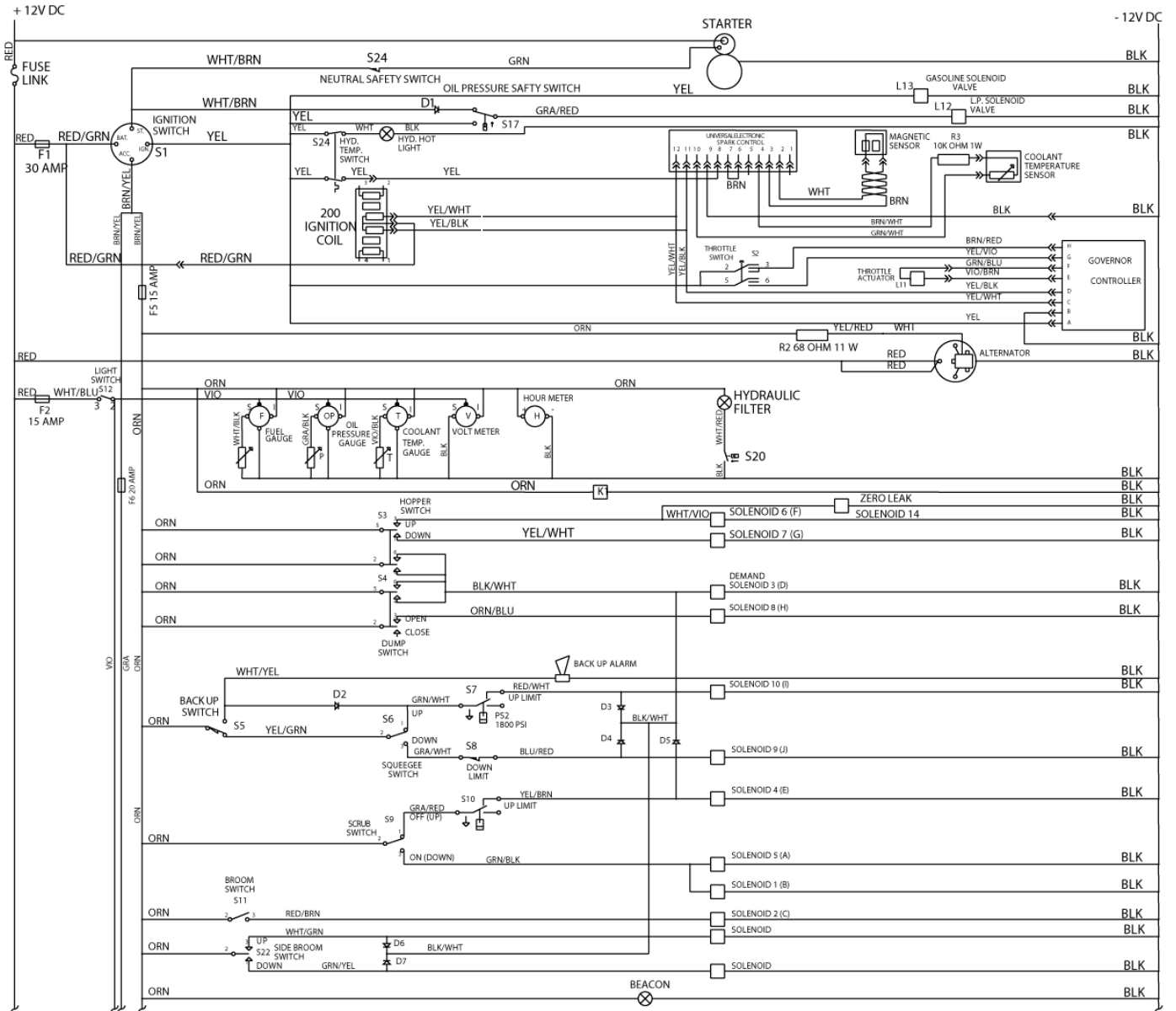
CR 1700 D/G/P

26-02-2015

Part List ID

E113173

91



ELECTRICAL DIAGRAM

CR 1700 D/G/P

26-02-2015

Part List ID
E113173

92

Pos	Part no.	Qty	Description	
0	56100628	1	KEY SWITCH KIT	
0	56393312	1	SWITCH ROCKER	On/Off
0	56393492	1	SWITCH ROCKER	On/Off
0	56409232	1	BACK-UP ALARM	
0	56418808	1	SENSOR CRANK POSITION	
0	56441511	1	BATTERY 12V 26AH WET	Machine outphased 2006
0	56452257	1	51 AMP ALTERNATOR	W/Brackets and Belt
0	56455029	1	CONTROLLER ROTARY	TSBUS2002-809
0	56455049	1	L P ACTUATOR LINKAGE ASSY	LP
0	56455052	1	GAS ACTUATOR LINKAGE ASSY	Gas - TSBUS2002-809
0	56455231	1	CONTROLLER GOVERNOR	TSBUS2002-809
0	56455812	1	HARNESS MAIN	
0	56455819	1	SWITCH ROCKER	Throttle Control
0	56456626	1	SAFETY SHUT-OFF VALVE	
0	56460005	1	SEALED BALL SWITCH ASSY	
0	56460007	1	HARNESS ENGINE	
0	56462355	1	DIODE ASSY.	D2
0	56462356	1	HARNESS LOWER WIRIN	
0	56462357	1	DIODE ASSY.	D6, D7
0	56462359	1	DIODE ASSY.	D3, D4, D5
0	56462362	1	SWITCH ASSY.	
0	56462367	1	HOPPER CORD ASSY.	
0	56462868	1	STARTER ASSY.	
0	56462887	1	IGNITION COIL ASSY.	TSBUS2001-782
0	56462915	1	MODULE HARNESS	TSBUS2001-749
0	56463096	1	SWITCH TEMP.	
0	56478358	1	SENDER FUEL LEVEL RE437A	
0	56478363	1	METER HOUR	
0	56478698	1	SENDER PRESS 0 80 RE446N	
0	56481888	1	SENDER TEMPERATURE	
0	56482044	1	METER VOLT	
0	56482463	1	LIGHT STROBE	TSBUS2000-743
0	56483117	1	INDICATOR LAMP RED	
0	56489592	1	GAUGE PRESSURE	
0	56489600	1	GAUGE TEMPERATURE	
0	56493063	1	DIODE ASSEMBLY	D1
0	56493146	1	PRESSURE SWITCH	
0	56900229	1	FUSE 10 AMP E00170	
0	56900230	1	FUSE 15 AMP E00170	
0	56900283	1	FUSE 30 AMP E00170	
0	56900755	1	FUSE E00170	
0	8-48-05032	1	GAUGE-FUEL	

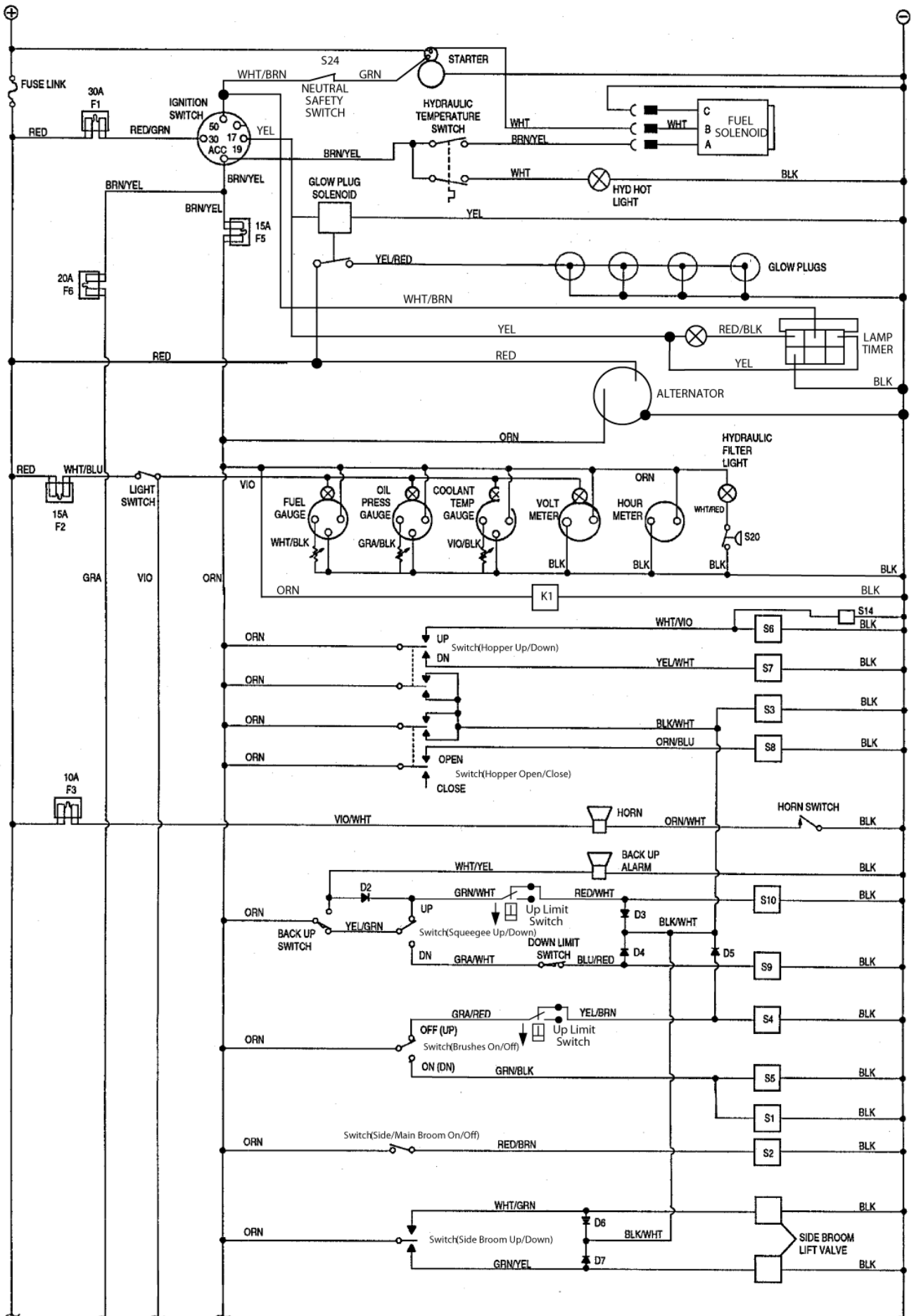
ELECTRICAL DIAGRAM (DIESEL)

CR 1700 D/G/P

26-02-2015

Part List ID
E113175

93



ELECTRICAL DIAGRAM (DIESEL)

CR 1700 D/G/P

26-02-2015

Part List ID
E113175

94

Pos	Part no.	Qty	Description	
0	1464483000	1	BATTERY 12V 49AH AGM MONOBLOC	Machine outphased 2004
0	56393312	1	SWITCH ROCKER	On/Off
0	56393492	1	SWITCH ROCKER	On/Off
0	56409232	1	BACK-UP ALARM	
0	56460000	1	ENGINE HARNESS	
0	56460005	1	SEALED BALL SWITCH ASSY	
0	56462355	1	DIODE ASSY.	D2
0	56462356	1	HARNESS LOWER WIRIN	
0	56462357	1	DIODE ASSY.	D6, D7
0	56462359	1	DIODE ASSY.	D3, D4, D5
0	56462362	1	SWITCH ASSY.	
0	56462367	1	HOPPER CORD ASSY.	
0	56462863	1	ALTERNATOR	
0	56463096	1	SWITCH TEMP.	
0	56463294	1	STARTER ASSY.	
0	56463583	1	4500D MAIN WIRING HARNESS	
0	56463590	1	GLOW PLUG TIMER	Glowplug Indicator
0	56478358	1	SENDER FUEL LEVEL RE437A	
0	56478363	1	METER HOUR	
0	56478698	1	SENDER PRESS 0 80 RE446N	
0	56481888	1	SENDER TEMPERATURE	
0	56482044	1	METER VOLT	
0	56482463	1	LIGHT STROBE	TSBUS2000-743
0	56483117	1	INDICATOR LAMP RED	
0	56489592	1	GAUGE PRESSURE	
0	56489600	1	GAUGE TEMPERATURE	
0	56492109	1	SOLENOID FUEL SHTDN E00106	
0	56493063	1	DIODE ASSEMBLY	D1
0	56497754	1	KEY SWITCH	
0	56497755	1	INDICATOR GLO PLUG	GlowPlug
0	56900229	1	FUSE 10 AMP E00170	
0	56900230	1	FUSE 15 AMP E00170	
0	56900283	1	FUSE 30 AMP E00170	
0	56900755	1	FUSE E00170	
0	8-48-05032	1	GAUGE-FUEL	

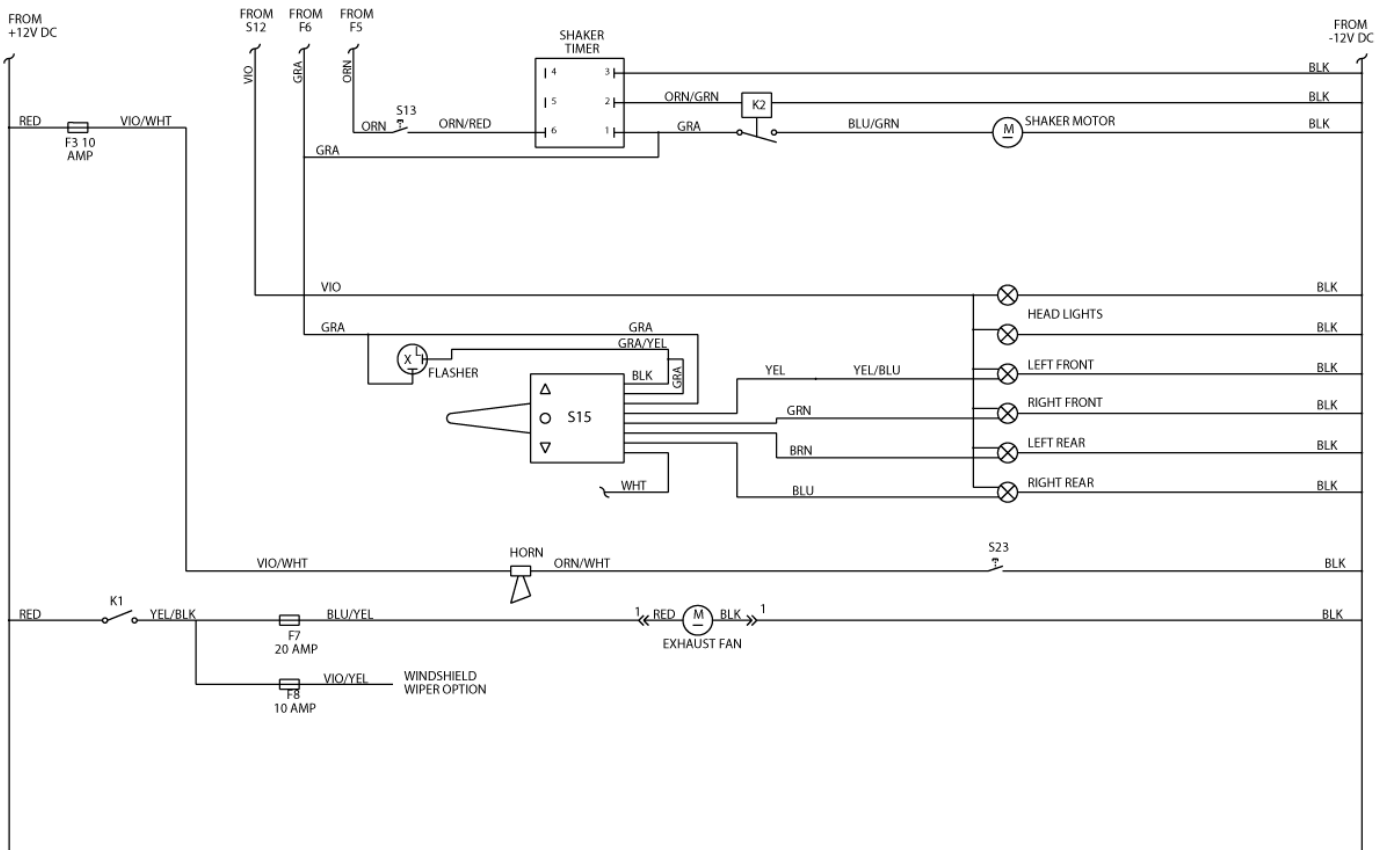
ELECTRICAL DIAGRAM (GAS / LP / DIESEL)

CR 1700 D/G/P

26-02-2015

Part List ID
E113176

95



ELECTRICAL DIAGRAM (GAS / LP / DIESEL)

CR 1700 D/G/P

26-02-2015

Part List ID

E113176

96

Pos	Part no.	Qty	Description	
0	56100061	2	TAILLIGHT ASSY.	
0	56441555	1	SWITCH START SPST 26240 4	
0	56442054	1	HORN 12 VOLT CV438	
0	56463696	1	FAN PUSHER	Gas/LP models only
0	56481543	2	HEAD LAMP ASSY.	
0	56491820	1	MOTOR 12V DC	
0	56491862	1	RELAY W/MTG BRACKET	Shaker Motor
0	56491870	1	TIME DELAY	Shaker Motor

WEARPAK KIT

CR 1700 D/G/P

26-02-2015

Part List ID
WEARPAK2CR1700

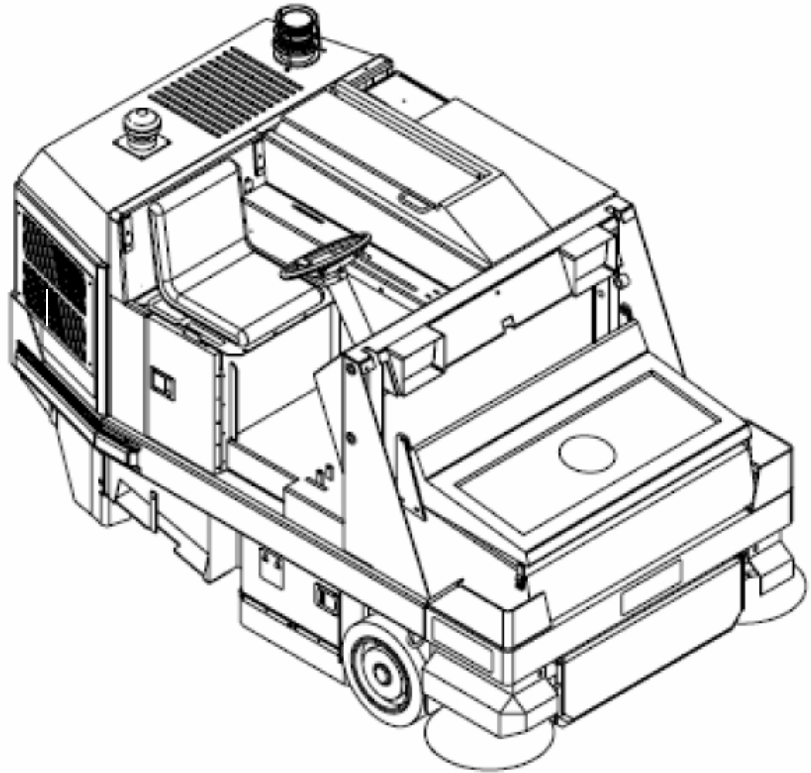
97

Reduce downtime and maintain peak performance with the Nilfisk CR 1700 WearPak. No more frantic phone calls or emergency shipments when you have key performance and maintenance items on hand as you need them.

The Nilfisk CR 1700 WearPak includes a broom, brushes, squeegee blade kit, panel filter, engine oil filter, hydraulic oil filter and lower hopper blade.

The WearPak kit keeps your machine running at its best.

Order Part #56463687 #56463688 and you will receive the following Nilfisk CR 1700 WearPak items:



Description	Reference No.
One Main Broom	56505071
Two Side Brooms	56462252
Four Scrub Brushes	56505758
One Filter Panel	56481205
One Gum Rubber Squeegee Kit	56462877
Two Engine Oil Filters	56462862
One Hydraulic Oil Filter	56496209
One Lower Hopper Blade	56462319

Order your Nilfisk CR 1700 (gas/propane) WearPak today... Part #56459863.

Description	Reference No.
One Main Broom	56505071
Two Side Brooms	56462252
Four Scrub Brushes	56505758
One Filter Panel	56481205
One Gum Rubber Squeegee Kit	56462877
Two Engine Oil Filters	56455793
One Hydraulic Oil Filter	56496209
One Lower Hopper Blade	56462319

WEARPAK KIT

CR 1700 D/G/P

26-02-2015

Part List ID
WEARPAK2CR1700

98

Pos	Part no.	Qty	Description
0	56455793	1	OIL FLTR ELEMNT REPL
0	56462252	1	BROOM POLY SIDE
0	56462319	1	BLADE HOPPER PU
0	56462862	1	FILTER OIL
0	56462877	1	BLADE KIT SQUEEGEE GUM
0	56463687	1	WEAR ITEM KIT 2067G/P
0	56463688	1	WEAR ITEM KIT 2067D
0	56482305	1	FILTER PANEL ASSY.
0	56496209	1	FILTER ELEMENT
0	56505071	1	BROOM MAIN 4500PL
0	56505758	1	DISC BRUSH-12 MDLITE 3 LUG

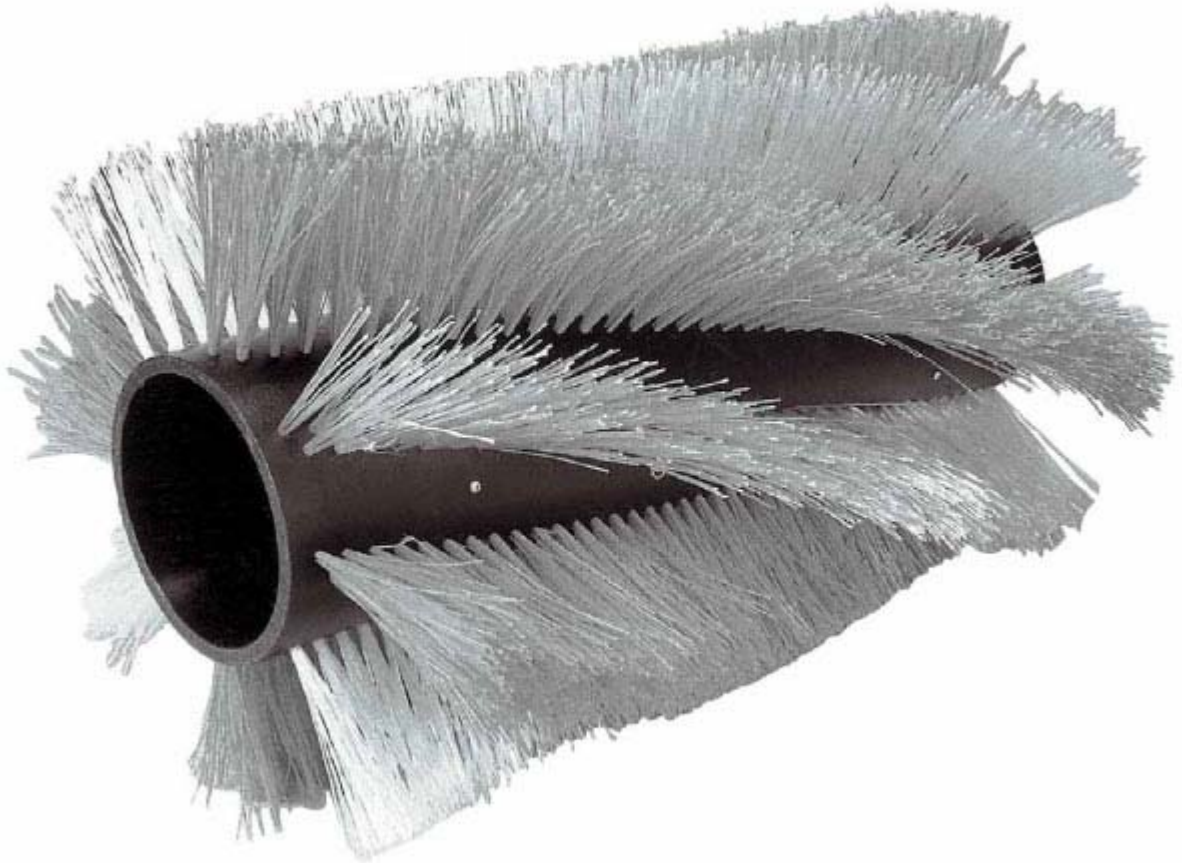
BROOM SELECTOR

CR 1700 D/G/P

26-02-2015

Part List ID
WEARPAK4CR1700

99



BROOM SELECTOR

CR 1700 D/G/P

26-02-2015

Part List ID
WEARPAK4CR1700

100

Pos	Part no.	Qty	Description
0	56505071	1	BROOM MAIN 4500PL
0	56505240	1	BROOM PROEX/WIRE

SIDE BROOM

CR 1700 D/G/P

26-02-2015

Part List ID
WEARPAK&CR1700

101



SIDE BROOM

CR 1700 D/G/P

26-02-2015

Part List ID
WEARPAK6CR1700

102

Pos	Part no.	Qty	Description
0	56462252	1	BROOM POLY SIDE

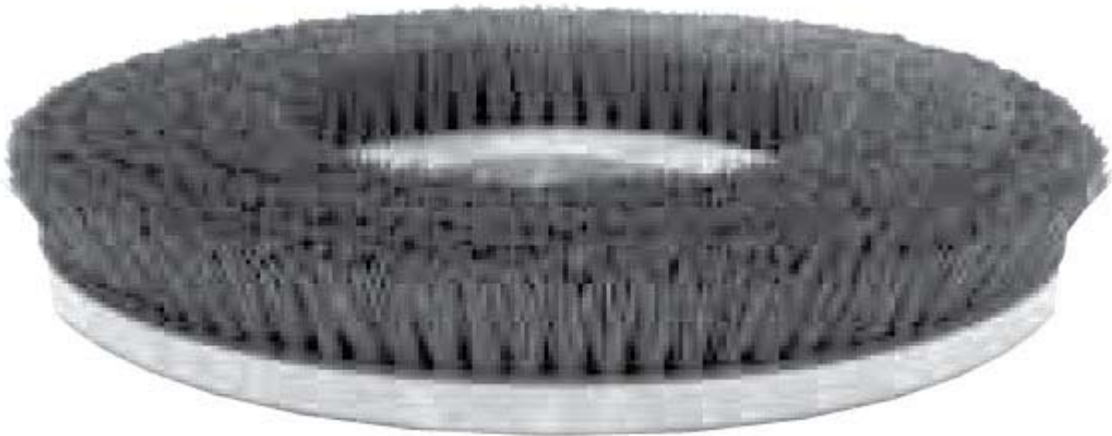
BRUSH SELECTOR

CR 1700 D/G/P

26-02-2015

Part List ID
WEARPAK8CR1700

103



BRUSH SELECTOR

CR 1700 D/G/P

26-02-2015

Part List ID
WEARPAK8CR1700

104

Pos	Part no.	Qty	Description
0	56505750	1	PAD HOLDER-12 3 LUG
0	56505751	1	DISC BRUSH-12 MAGNAGRIT 3 LUG
0	56505752	1	DISC BRUSH-12 DYNAGRIT 3 LUG
0	56505753	1	DISC BRUSH-12 AGLITE 3 LUG
0	56505754	1	DISC BRUSH-12 PROLENE 3 LUG
0	56505755	1	DISC BRUSH-12 PROLITE 3 LUG
0	56505756	1	DISC BRUSH-12 UNION MIX 3 LUG
0	56505757	1	DISC BRUSH-12 MIDGRIT 3 LUG
0	56505758	1	DISC BRUSH-12 MIDLITE 3 LUG

56460020 - Vacuum Shut-off Assembly Kit

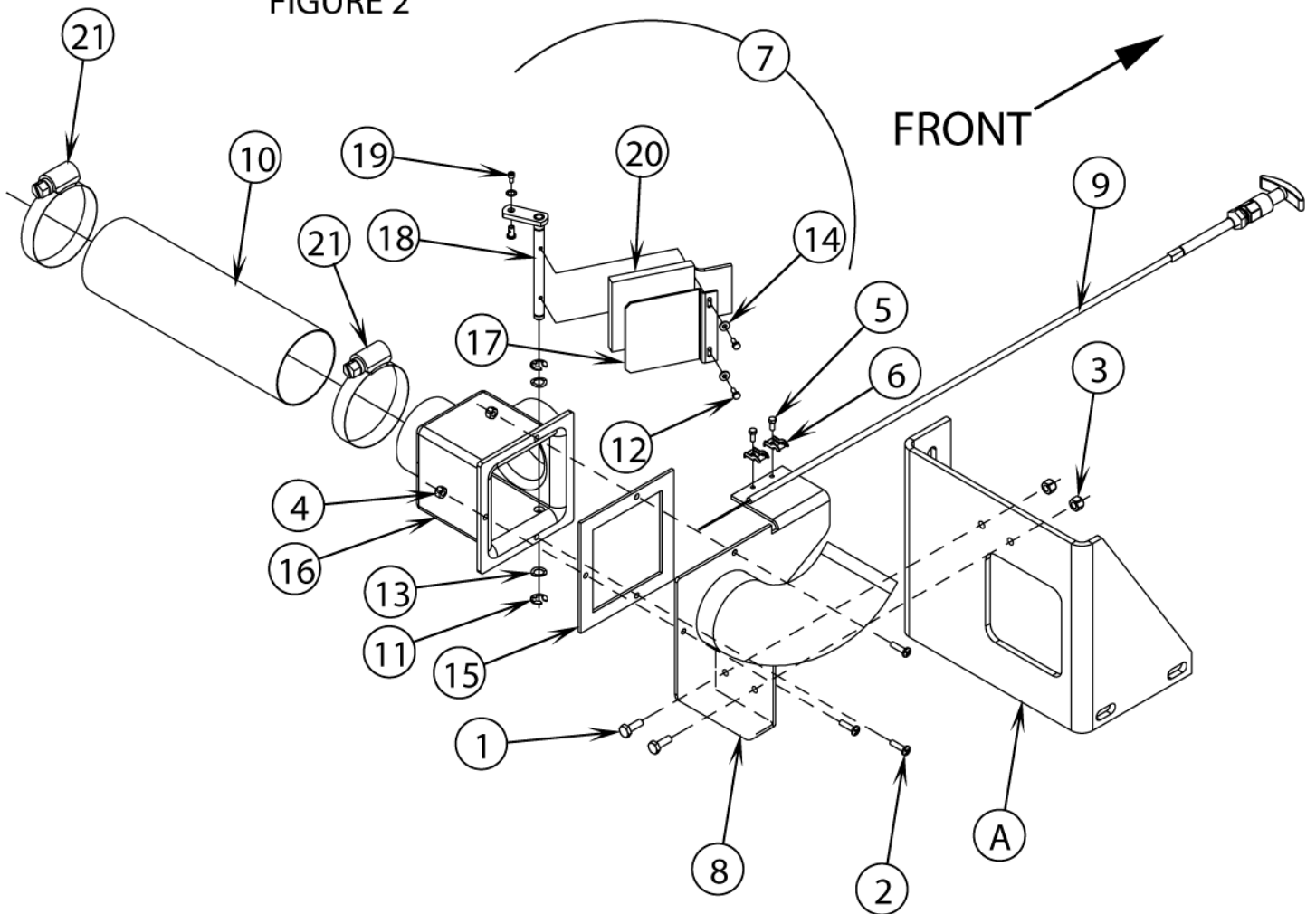
CR 1700 D/G/P

26-02-2015

Part List ID
IS56040709

105

FIGURE 2



56460020 - Vacuum Shut-off Assembly Kit

CR 1700 D/G/P

26-02-2015

Part List ID
IS56040709

106

Pos	Part no.	Qty	Description
1	56002155	2	SCR HEX 1/4-20 X .75
2	56002192	3	SCR PAN PHIL 10-24 X .75
3	56002708	2	NUT HEX NYL LOC 1/4-20
4	56002768	3	NUT HEX NYL LOC 10-24
5	56009075	2	SCR HEX THD FORM 8-32X.38
6	56344265	2	CLAMP CABLE AS510A
7	56330018	1	BUTTERFLY ASSY. POS. 11-20 - NOTE
11	56003269	2	RING RET EXT TYPE E REINF
12	56009032	2	SCR HEX THD FORM 6 32X.38
13	56009045	2	WSH BOWED .375X.578X.060
14	56009056	2	WSH INT SHPRF 6
15	56331312	1	GASKET
16	56331313	1	HOUSING ROUTED
17	56331345	1	PLATE
18	56331356	1	LEVER WELDMENT
19	56442445	1	SWIVEL CV442L
20	56331155	1	SEAL
21	56352829	2	CLAMP HOSE SAE 52 E00047

NOTE: The Butterfly Assembly (7) comes pre-assembled, but is shown exploded for parts ordering purposes.

564363737 - Case Drain Kit

CR 1700 D/G/P

26-02-2015

Part List ID
IS56040735P4

107

FIGURE 6

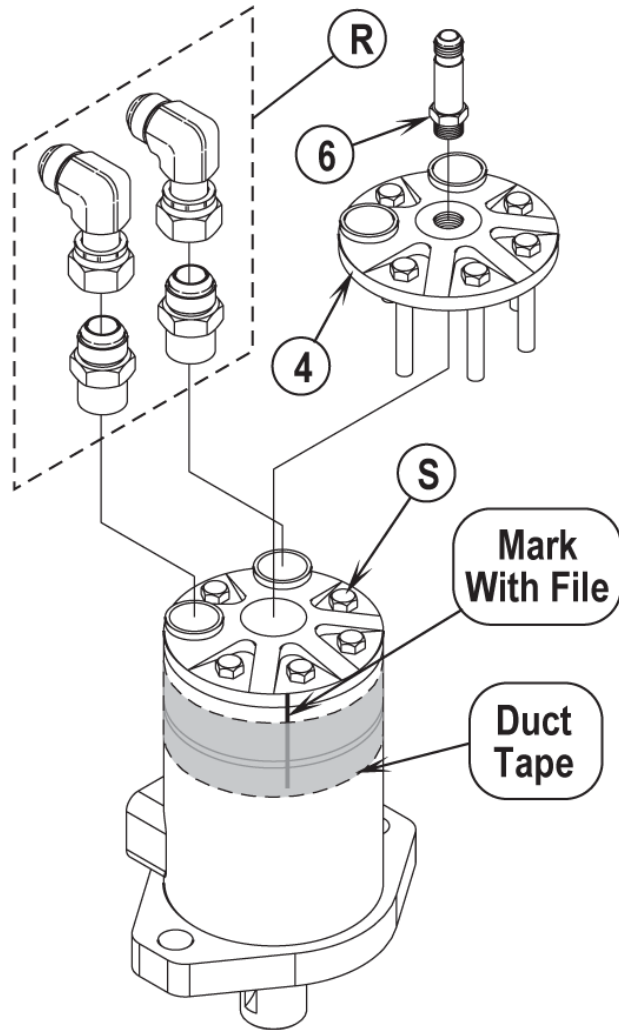
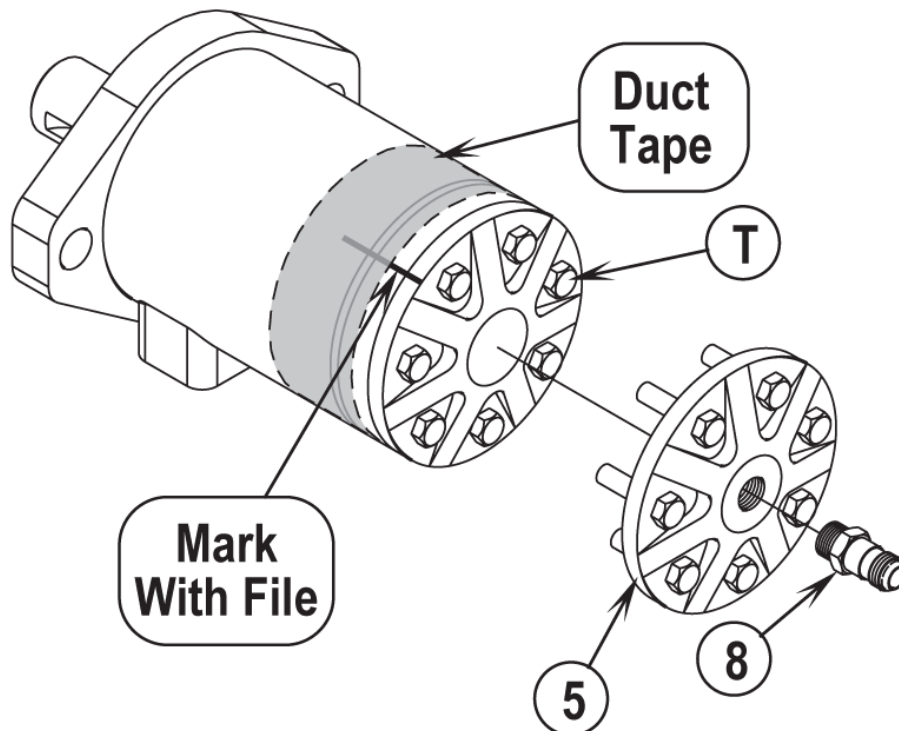


FIGURE 7



564363737 - Case Drain Kit

CR 1700 D/G/P

26-02-2015

Part List ID
IS56040735P4

108

Pos	Part no.	Qty	Description
1	56463734	1	HOSE ASSY
2	56460103	1	HOSE ASSY
3	56463736	1	HOSE ASSY
6	56900051	1	CONN EXT O/R -4 E00002
7	56900441	1	TEE UNION 4 E00014
8	56900001	1	CONNECTOR O RING 4 E00001
9	56900467	1	REDUCER E00015
10	56900346	1	TEE RUN W/NUT E00009
11	56478523	1	CABLE TIE E00549
12	56900506	1	NUT E00016

56463737 - Case Drain Kit

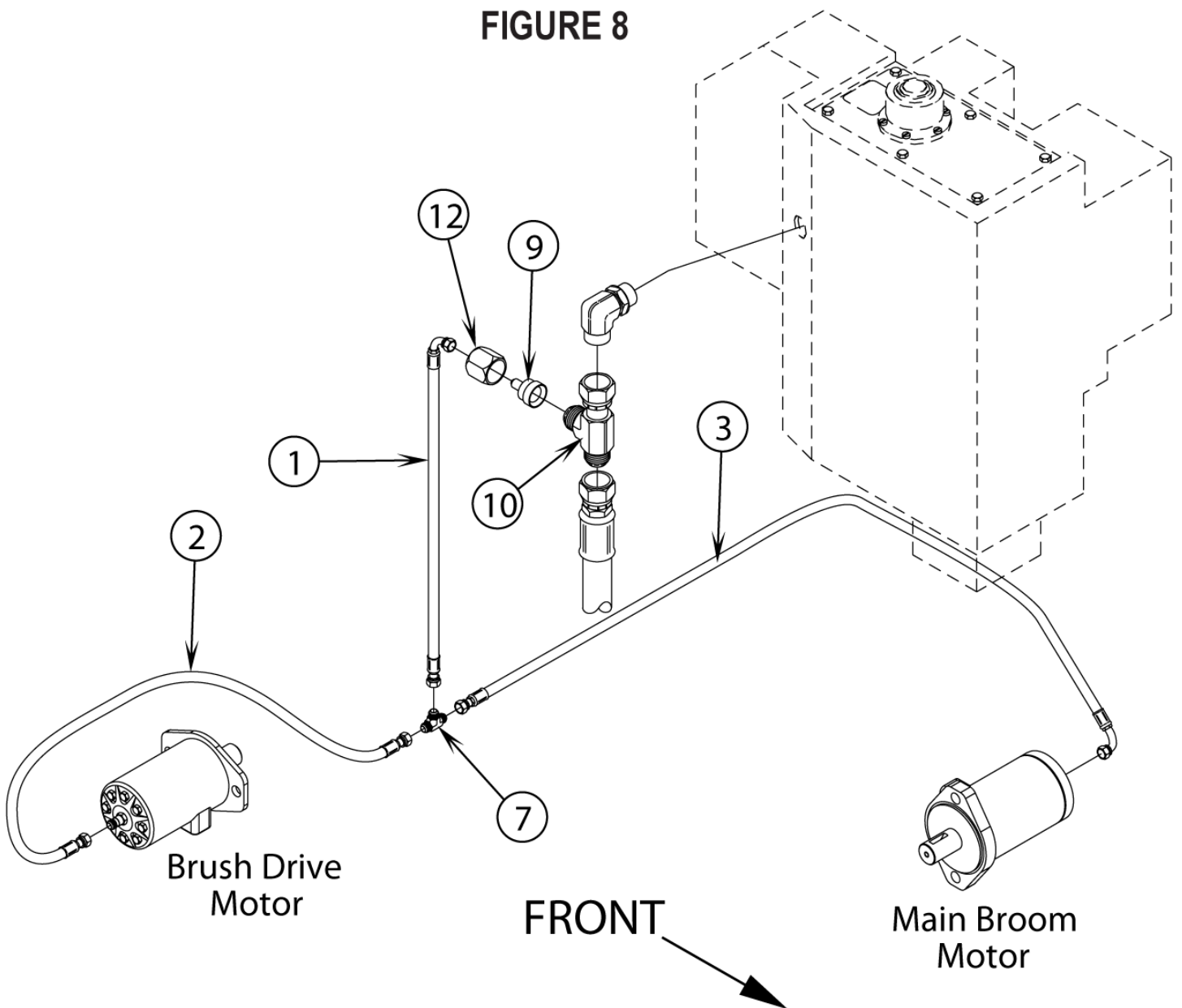
CR 1700 D/G/P

26-02-2015

Part List ID
IS56040735P5

109

FIGURE 8



56463737 - Case Drain Kit

CR 1700 D/G/P

26-02-2015

Part List ID
IS56040735P5

110

Pos	Part no.	Qty	Description
1	56463734	1	HOSE ASSY
2	56460103	1	HOSE ASSY
3	56463736	1	HOSE ASSY
6	56900051	1	CONN EXT O/R -4 E00002
7	56900441	1	TEE UNION 4 E00014
8	56900001	1	CONNECTOR O RING 4 E00001
9	56900467	1	REDUCER E00015
10	56900346	1	TEE RUN W/NUT E00009
11	56478523	1	CABLE TIE E00549
12	56900506	1	NUT E00016

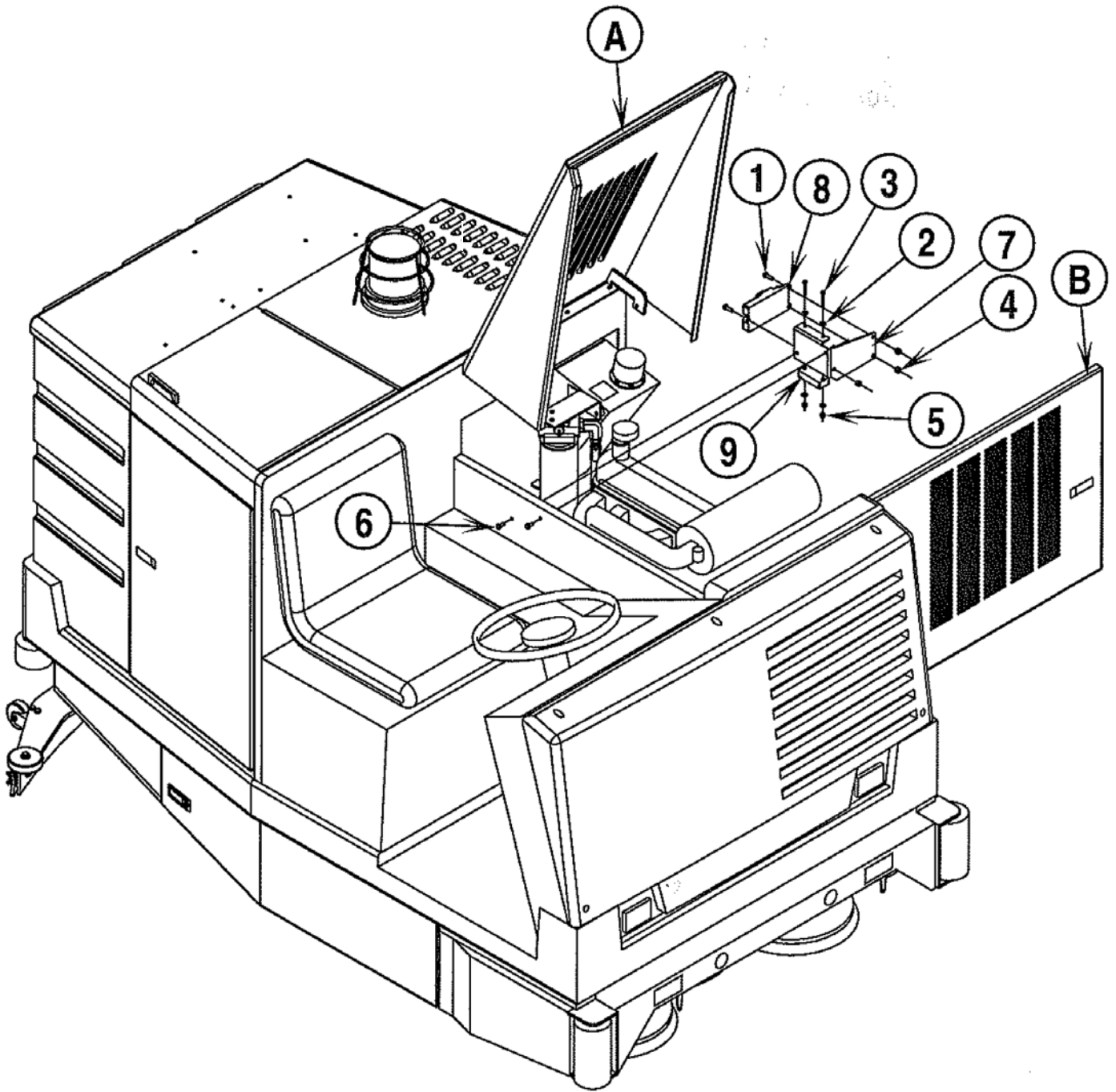
56460111 - ECU Kit

CR 1700 D/G/P

26-02-2015

Part List ID
IS56040740

111



56460111 - ECU Kit

CR 1700 D/G/P

26-02-2015

Part List ID
IS56040740

112

Pos	Part no.	Qty	Description
1	56001821	3	SCR HEX 1/4 20 X .88
2	56001954	4	WSH FLT SAE 10
3	56002231	2	SCR PAN PHIL 10-24 X 1.50
4	56002708	5	NUT HEX NYL LOC 1/4-20
5	56002768	2	NUT HEX NYL LOC 10-24
6	56009250	2	SCR HEX THD FORM 1/4 20X.62
8	56460109	1	ENGINE CONTROLLER
9	56460110	1	MAP SENSOR
11	56477613	5	CABLE TIE E00549 RE409S

56462015 - Solution Drain Filter Kit

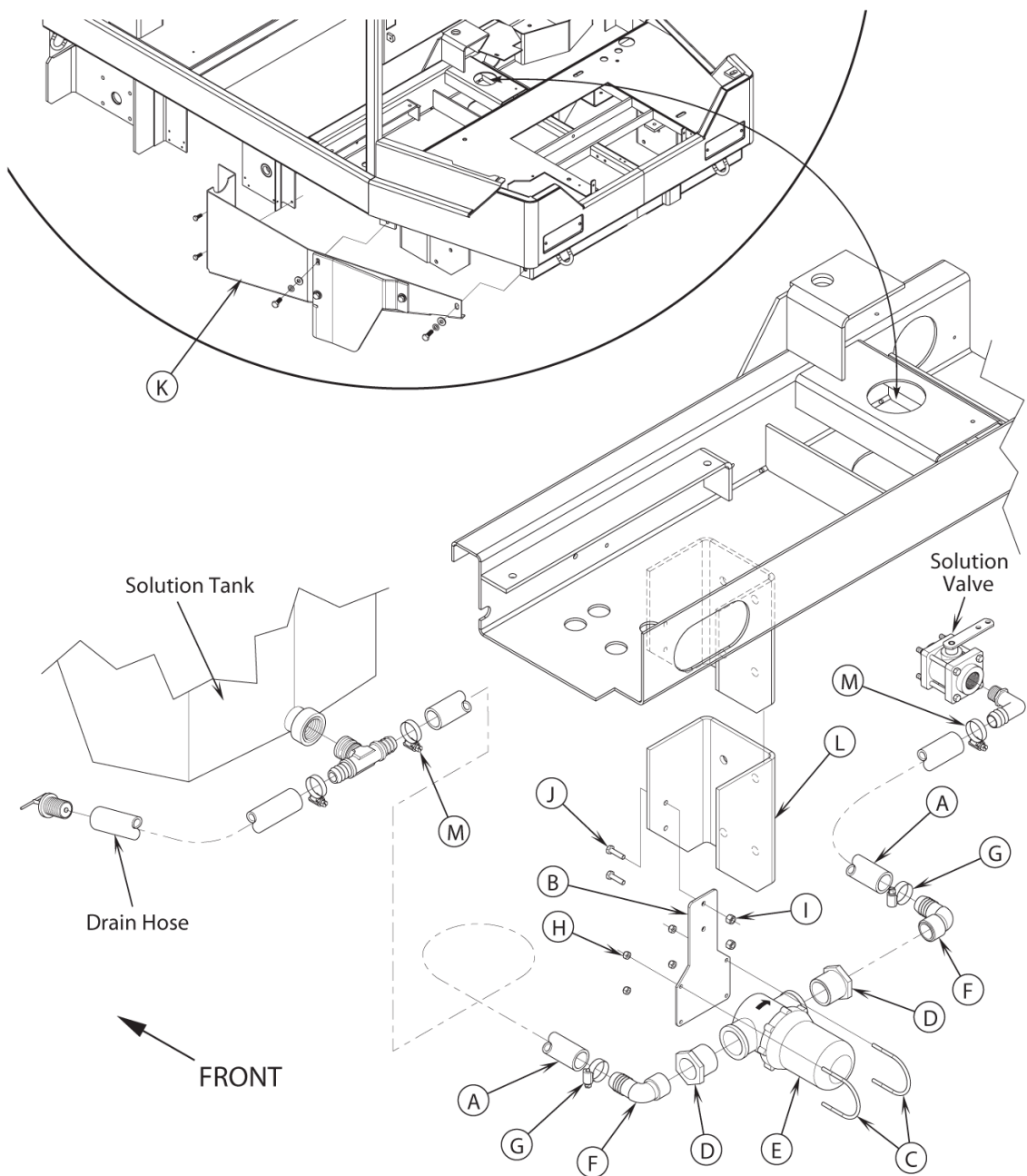
CR 1700 D/G/P

26-02-2015

Part List ID
IS56040754

113

FIGURE 2



56462015 - Solution Drain Filter Kit

CR 1700 D/G/P

26-02-2015

Part List ID
IS56040754

114

Pos	Part no.	Qty	Description
C	56459830	2	U-BOLT
D	56459825	2	BUSHING REDUCER E00148
E	56456241	1	STRAINER INLINE
F	56449877	2	BARB 1X1X90 PVC E00037
G	56244969	2	CLAMP HOSE SAE 12 E00047
H	56002768	4	NUT HEX NYL LOC 10-24
I	56002708	2	NUT HEX NYL LOC 1/4-20
J	56002093	2	SCR HEX 1/4-20 X 1.00

56460082 - Rotary Carb Kit

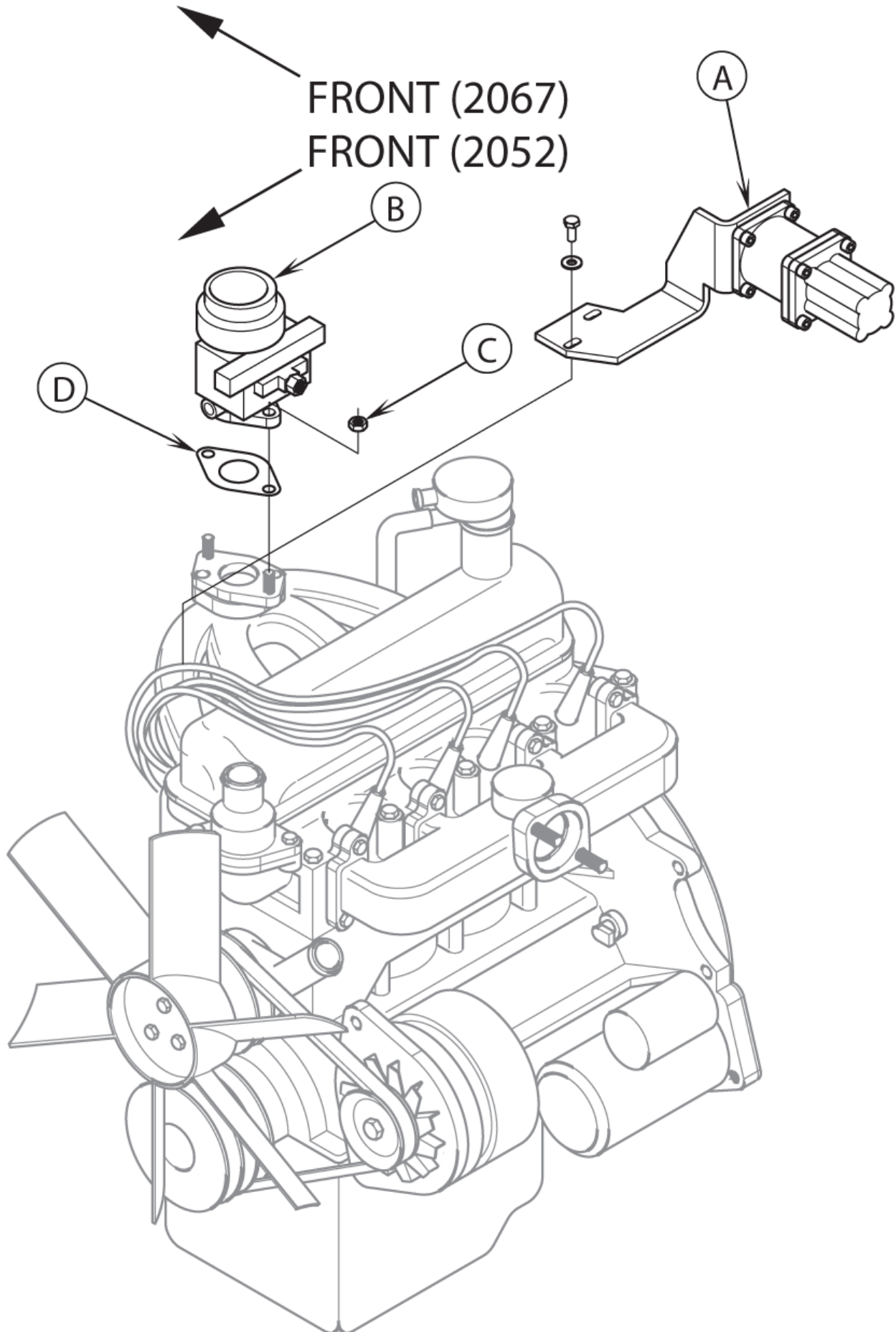
CR 1700 D/G/P

26-02-2015

Part List ID
IS56040770

115

FIGURE 1



56460082 - Rotary Carb Kit

CR 1700 D/G/P

26-02-2015

Part List ID
IS56040770

116

Pos	Part no.	Qty	Description
0	56460082	1	ROTARY CARB. KIT
1	56460081	1	ROTARY CARBURETOR ASSEMBLY
2	56455029	1	CONTROLLER ROTARY