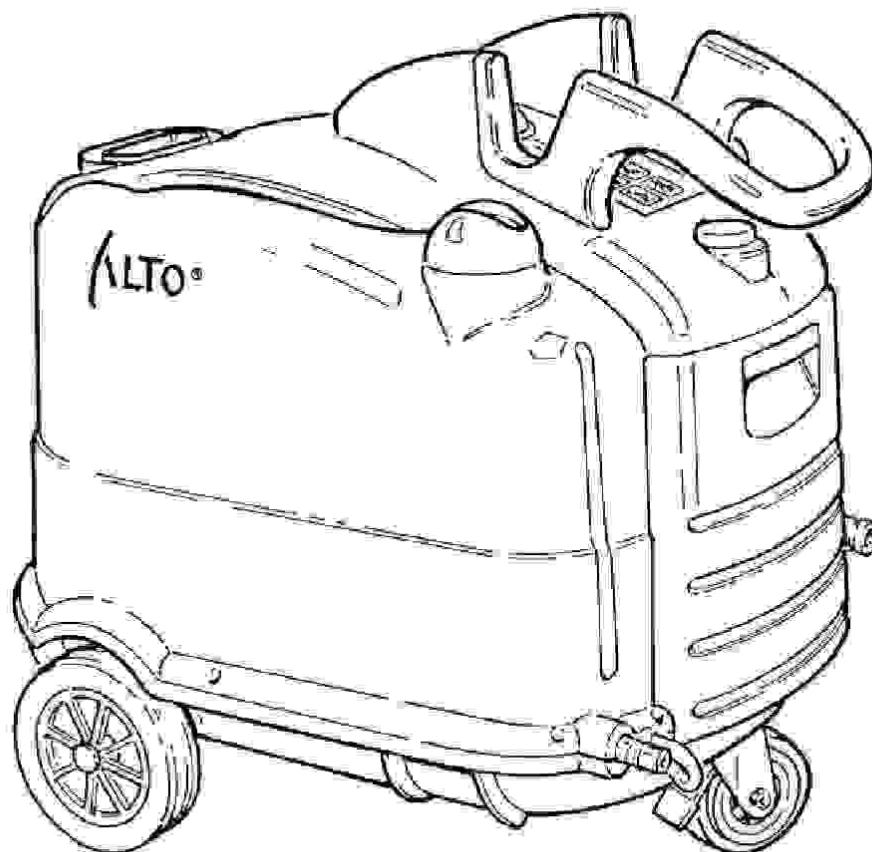


30 HA COMPACT

Model:
30 HA STANDARD



Part List US-English

14-02-2015

Nilfisk
ALTO
works for you

www.nilfisk-alto.com

Table of Contents

30 HA COMPACT

Cabinet	3
Motor pump unit, compl. (a)	6
Motor pump unit, compl. (b)	9
Electric box	11
Boiler	14
Float house	17

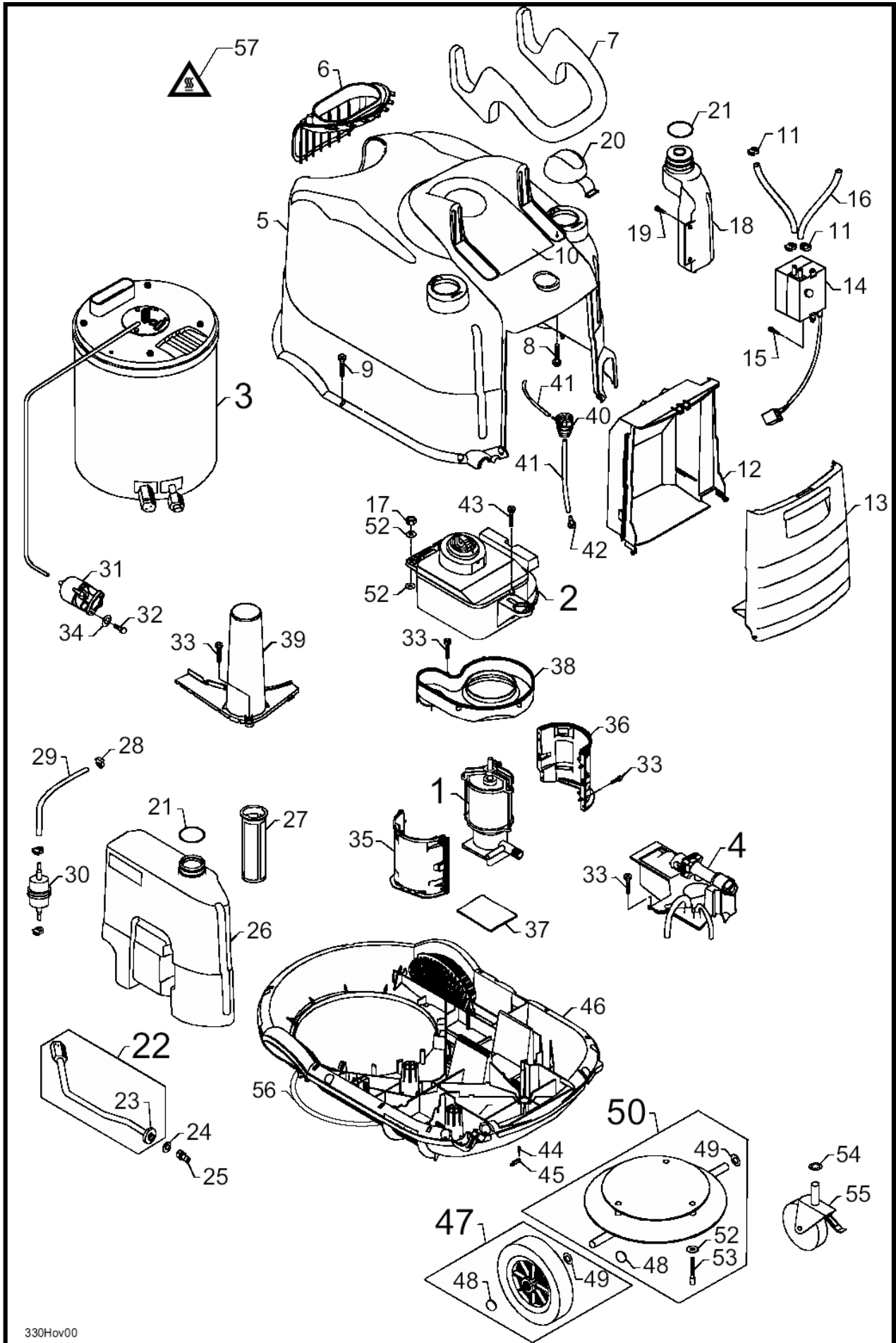
Cabinet

30 HA COMPACT

14-02-2015

Part List ID
30HAC02

3



Cabinet

30 HA COMPACT

14-02-2015

Part List ID
30HAC02

4

Pos	Part no.	Qty	Description	
1		1	USE LINK	MOTOR PUMP UNIT, COMPLETE
2		1	USE LINK	CONNECTION BOX, COMPL.
3		1	USE LINK	BOILER
4		1	USE LINK	COVER F. FLOAT CHAMBER, COMPL.
5	7181639	1	CABINET 30HA. WAP/KEW	
6	7181631	1	BOILER SHIELD	
7	7181610	1	HAND BRACKET	
8	1814616	4	SCREW FOR CABINET 30HA	
9	1814614	8	PT-SCREW K50X16 T20 WN1451 - A2	
10	7182851	1	STICKER. 30HA COMPACT I	
10	7182852	1	STICKER. 30HA COMPACT	
11	1814151	3	HOSE CLIP	
12	7181646	1	CONTAINER FOR DETERGENTS	
13	7181646	1	CONTAINER FOR DETERGENTS	
15	1814590	2	SCREW KB40X16 WN1412	
16	5226147	2	HOSE PVC 4/7.2	(L=400MM)
17	1800515	2	Lock Nut M8 - 8 A2K DIN 985	
18	7181623	1	NO-SCALE CONTAINER	
19	101814782	2	SCREW K50X18 WN 1412 GALVANIZED	
20	7181620	2	COVER	
21	3004284	4	O-RING 49.21X3.53 NBR70	
22	7181905	1	REP.KIT OUTLET PIPE	
23	6184282	1	RUBBER SEAL	
24	1801075	1	PACKING RING 23.8X17.2X2 3/8 INCH St-NBR	
25	1600493	1	Nippel F. Q-COUPL. 3/8 INCH	
25	1603101	1	NIPPLE F/QUICK COULING 3/8 SS	
26	7181624	1	FUEL TANK	
27	1604222	1	STRAINER	
28	1810084	4	HOSE CLIP 10.8/12.3	
29	5226220	2	HOSE D6X2.5	
30	6184100	1	FUEL FILTER	
31	301000032	1	FUEL PUMP VSC 63 200V/	Japan
31	3821583	1	FUEL PUMP 220-240V	220-440V
31	3821584	1	FUEL PUMP 110-115V	110-115V
32	8917	2	SCREW M6X12	
33	101814782	10	SCREW K50X18 WN 1412 GALVANIZED	
34	1800440	2	WASHER -1101320 -1103440	
35	7181627	1	ENGINE SHELL LEFT	
36	7181645	1	MOTOR SHELL. RIGHT	
37	7181018	1	RUBBER SHEET	
38	7181625	1	FAN HOUSING	
39	7181630	1	AIR FUNNEL	
40	7180907	1	METERING UNIT	

Cabinet

30 HA COMPACT

14-02-2015

Part List ID
30HAC02

5

Pos	Part no.	Qty	Description
41	2450004	2	HOSE 1200MM L=1200MM
42	6400240	1	CHEMICAL FILTER /PLASTIC/
43	1814508	3	SCREW EJOT- K50X16 T25 W N 1452 SW-ZN
44	6122531	2	SCREW Ø 3X22. 5
45	3806262	1	STRAIN RELIEF BRACKET 27.
46	7181600	1	CHASSIS
47	7181937	1	DRIVING WHEEL - X2. COMPL
48	7180737	2	SHAFT CLAMPING CAP DIA. 1
49	1814618	2	PLAIN WASHERS
50	7181902	1	WHEEL AXLE / BOILER BUTTOM
52	1800796	7	WASHER M8
53	1813385	3	SCREW 8X60 DIN 912 8.8 GALV
54	1814626	1	CIRCLIP
55	2013496	1	GUIDE ROLLER
56	5218652	1	STRIP FOAM RUBBER
57	4210066	1	WARNING LABEL HEAT TRANS

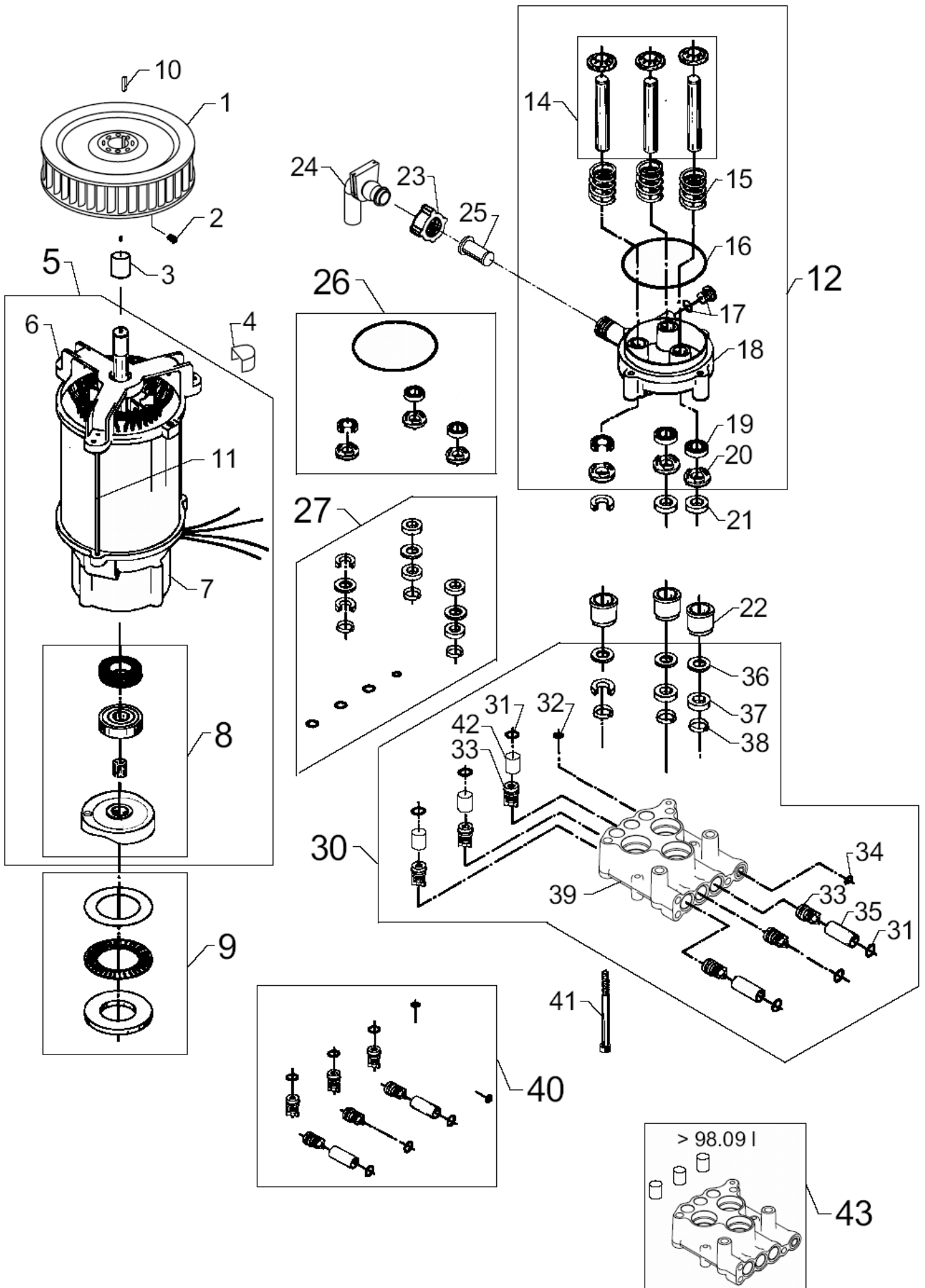
Motor pump unit, compl. (a)

30 HA COMPACT

14-02-2015

Part List ID
30HAC04

6



Motor pump unit, compl. (a)

30 HA COMPACT

14-02-2015

Part List ID
30HAC04

7

Pos	Part no.	Qty	Description
-	5218433	1	PUMP OIL 150 1X1L
1	301000058	1	IMPELLER 160
2	49500	1	SET SCREW DIN 915 M8X12
3	7181226	1	SLEEVEØ17 /Ø14 H 23.6
4	7181629	3	RUBBER BUFFER
5	7180910	1	MOTOR W. WOBBLE DISC 400/230V 400/230V, 50HZ
5	7180912	1	MOTOR W. WOBBLE DISC 440/220V6
5	7180967	1	MOTOR W. WOBBLE DISC 115V, 60HZ
5	7180971	1	MOTOR W. WOBBLE DISC 220V, 60HZ
5	7180973	1	MOTOR 1X230V 50HZ 12A 230 - 240V - 12A
5	7181925	1	MOTOR W.WOBBLE DISC 415V, 50HZ
5	7181926	1	USE 7180910 301000571 400V, 50HZ
8	1119389	1	WOBBLE DISC 115V 60HZ REP.KIT
8	1119703	1	WOBBLE DISC 50HZ REP.KIT
8	1119704	1	WOBBLE DISC 60HZ REP.KIT
8	1119796	1	WOBBLE DICC REP.KIT
8	1119833	1	WOBBLE 12A 60HZ REP.KIT
9	1119705	1	BEARING REPAIR KIT
10	3202504	1	KEY
11	7180924	3	STUD 145 MM
12	7181908	1	CYLINDERBLOCK COMPL
14	1119791	1	PISTON REP.KIT
15	2602490	3	SPRING
16	3003654	1	O-RING 80X2 NITRIL 70 SHORE
17	6122313	2	PLUG WITH O-RING
18	7181005	1	CYLINDER BLOCK
19	3003696	3	OIL SLEEVE 14X22X5/7
20	7181006	3	THRUST RING
21	3004259	3	SLEEVE Ø14X22X6
22	7181020	3	THRUST COLLAR
23	1604958	1	UNION NUT FOR HOSE SOCKET
24	7181704	1	SUCTION TUBE
25	6125144	1	FILTER
26	1119800	1	OIL SEAL REP.KIT
27	1119801	1	SEALING SYSTEM REP.KIT 30C/H
30	7181910	1	CYLINDER HEAD COMPL.
31	3004222	6	O-RING 15.1 X 1.6 NITRIL SH 90
32	3001823	1	O-RING 6.1X1.6 NITRIL 70 SH
33	7180906	6	VALVE COMPL.
34	3003688	1	O-RING 11.11X1.78 NITRIL 70 SH
35	6122475	2	SPACER FOR VALVE
36	3004277	3	BACK-UP RING 14X22X1.9
37	3004227	3	U-SLEEVE

Motor pump unit, compl. (a)

30 HA COMPACT

14-02-2015

Part List ID
30HAC04

8

Pos	Part no.	Qty	Description	
38	3004228	3	WS-RING	
39	7181028	1	CYLINDER HEAD	FROM 98.10
40	1119707	1	VALVE SYSTEM REP.KIT	
41	1814589	4	SCREW M8X90 DIN 912-8.8	
42	7181029	3	BUSH	FROM 98.10
43	1119797	1	CYLINDER HEAD 3 BUSHES	UP TO 98.09

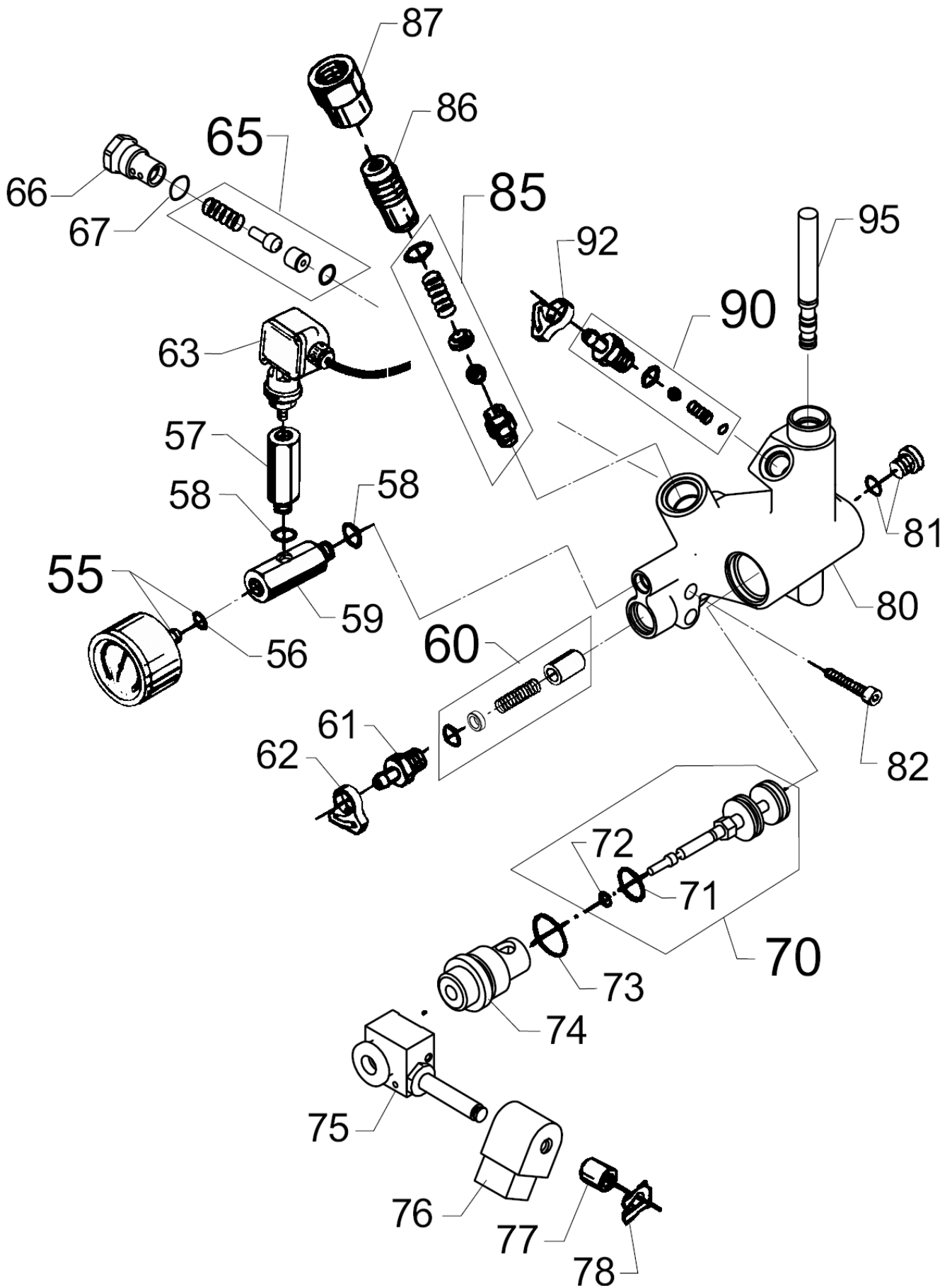
Motor pump unit, compl. (b)

30 HA COMPACT

14-02-2015

Part List ID
30HAC06

9



Motor pump unit, compl. (b)

30 HA COMPACT

14-02-2015

Part List ID
30HAC06

10

Pos	Part no.	Qty	Description	
55	7180931	1	PRESSURE GAUGE WITH O-RING	
56	3003662	1	O-RING 6.0X2.0 NITRIL 70 SH	
57	7181017	1	EXTENSION PIECE	
58	3003662	1	O-RING 6.0X2.0 NITRIL 70 SH	
59	7181031	1	EXTENSION PIECE FOR PRESU	
62	1814029	1	HOSE CLIP	
63	7181913	1	PRESSURE SWITCH 11 BAR COMPL.	
65	1119790	1	RETAINING PRESSURE VALVE KIT	3 PH.
65	1119798	1	RETAINING PRESSURE VALVE KIT	1 PH.
66	7181002	1	PLUG	
67	3000064	1	O-RING 14.1X1.6 NITRIL 70SH	
70	1119795	1	PISTON REP.KIT	
71	3003860	1	O-RING 13.95X2.62 NITRIL 70SH	
72	3000387	1	O-RING 3.1 X 1.6 SMS	
73	3001963	1	O-RING 11.6x2.4 SMS 1586 EPDM70	
74	6184525	1	PLUG	
75	7181935	1	STEAM STAGE	
76	3821578	1	COIL 110-200V	110-115V
76	3821579	1	COIL 220-440V	220-440V
77	6184533	1	BUSH	
78	1813591	1	LOCKING CLIP	
81	6180913	1	HOLE PLUG W. O-RING	
82	1813864	3	SCREW M8X35	
85	1118512	1	SAFETY VALVE REP.KIT	
86	6100940	1	ADJUSTMENT SCREW	
87	6100928	1	LOCK NUT	
90	1119406	1	NON RETURN VALVE REP. KIT	
92	1814029	1	HOSE CLIP	
95	7181906	1	INJECTOR NOZZLE W. O-RING	
95	7181907	1	INJECTORNOZZLE W.O-RING COMPL	
95	7181914	1	INJECTOR NOZZLE W. O-RING	USA

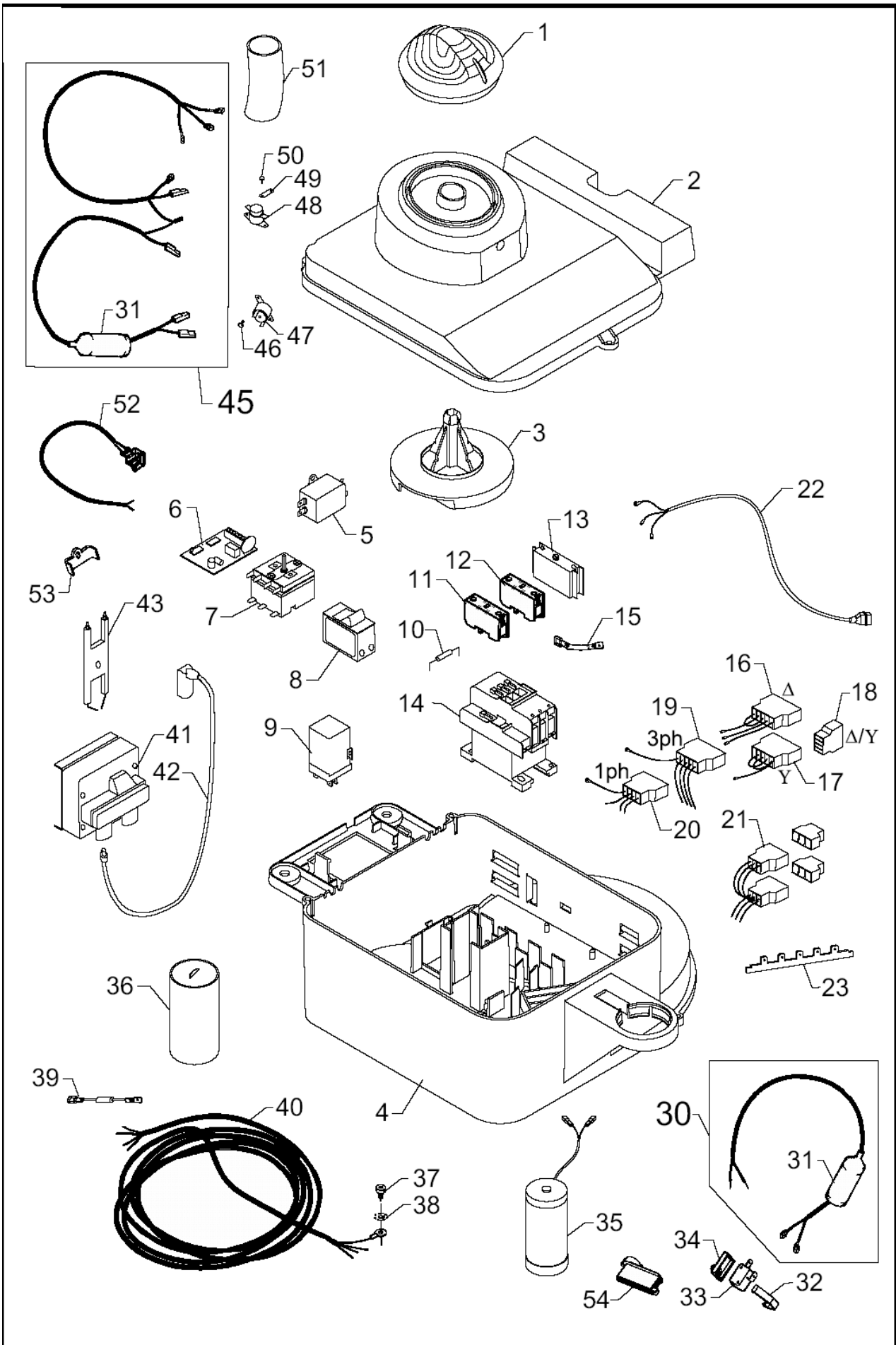
Electric box

30 HA COMPACT

14-02-2015

Part List ID
30HAC08

11



Electric box

30 HA COMPACT

14-02-2015

Part List ID
30HAC08

12

Pos	Part no.	Qty	Description	
1	7181617	1	ROTARY KNOB	
2	7181614	1	COVER FOR SWITCH BOX	
3	7181641	1	CURVE PAD	
4	7181611	1	ELECTRICAL HOUSING. LOWER	
5	3821686	1	INTERFERENCE FILTER	
6	6420050	1	ELECTRICAL CONTROL UNIT	
7	3821588	1	THERMOSTAT 40-80C	
8	3821501	1	SWITCH	400V, 6A
8	3821613	1	SWITCH-WHIP 0-I 240/50	230-240V, 50HZ -13A
8	3821614	1	SWITCH 2-POL. 15A 240V	15A
8	3821700	1	ROCKER SWITCH	110V, 50HZ & 220V, 60HZ -16A
9	3821581	1	STARTER RELAY 110V. 15V G	110-115V
9	3821582	1	STARTER RELAY 220-240V 50	220-240V
10	3821511	1	ESISTANCE 560 OHM 2W	3X400/230V, 50HZ - 3X440/220V, 60HZ
11	3809464	1	AUXILIARY SWITCH. NO	3X400/230V, 50HZ - 3X440/220V, 60HZ
12	3821496	1	AUXILIARY SWITCH. CB-NC	3X400/230V, 50HZ - 3X440/220V, 60HZ
13	31000112	1	TIMER	
14	3821438	1	CONTACT CI15 16A 230-24	
14	3821439	1	CONTACT CI15 16A 400V 5	
14	3821440	1	CONTACTOR CI15 16A 415V 5	
14	3821568	1	CONTACT CI15 16A 220V 6	
14	3821589	1	CONTACT 115/60/16A	
14	3821610	1	CONTACT CI15 110/50/16A	
15	7180245	1	RESISTANCE	
16	7181422	1	PLUG 5-POLAR 3X400/230 DE	3X400/230V, 50HZ - 3X440/220V, 60HZ
17	7181421	1	PLUG 5-POLAR. 3X400/230 Y	3X400/230V, 50HZ - 3X440/220V, 60HZ
18	7181419	1	PLUG FOR MOTOR. FOUR-POLE	3X400/230V, 50HZ - 3X440/220V, 60HZ
19	7181420	1	PLUG 5-POLAR 3PH	3 PH.
20	7181418	1	MOTOR CABLE	1 PH.
20	7181430	1	PLUG 5-POLAR. COMPL.	USA
21	7181423	1	PLUG 3-POLAR. OIL PUMP/NO	
22	7181426	1	CABLE FOR STEAM STAGE	
23	7181416	3	SPADE TERMINAL BLOCK	
30	3830062	1	INTERCONNECTING CABLE FOR	
31	126482241	2	BOX FOR MICROSWITCH	
32	126482241	1	BOX FOR MICROSWITCH	UP TO 26.04.99
33	3821437	1	MICRO SWITCH	
34	126482241	1	BOX FOR MICROSWITCH	UP TO 26.04.99
35	3821343	1	CAPACITOR 50AF	220-240V
35	3821626	1	CONDENSER-OPERATION 100AF	115V, 110V
36	3821063	1	CAPACITOR START-UP 160	220-240V
36	3821695	1	CAPACITOR. START-UP. 500A	115V, 110V
36	3821696	1	CONDENSER	220V, 60HZ

Electric box

30 HA COMPACT

14-02-2015

Part List ID
30HAC08

13

Pos	Part no.	Qty	Description	
37	1800606	1	SCREW CROSS M4X10 FZB DIN7985	
38	1810308	2	STAR WASHER M4 INTERN.TOOTHING	
39	7180290	1	CAPACITOR 0.68 MICRONF	
40	3821142	1	POWER CORD SJTWAWG 12/3X11	1 PH., USA
40	3821649	1	POWER CORD SJTW AWG14/3X11M	1 PH.
40	7180201	1	ELECTRIC CABLE COMPL.	3 PH.
40	7180225	1	POWER CORD RN-F 3G1.5X6	1 PH.
40	7180226	1	POWER CORD RN-F 3G1.5X6M CEE7/VII	1 PH.
40	7180230	1	SUPPLY CORD H07RN-F3G1.5	1 PH.
40	7180231	1	SUPPLY CORD STOW-A 14/3	1 PH.
40	7180232	1	ELEC. CABLE. 110V 50HZ GB	1 PH.
41	301150002	1	30H IGNITION TRANS. KIT	
41	301150003	1	30H IGNITION TRANS. KIT	1 PH.
42	7181443	2	SPARK PLUG CABLE	
43	7181221	1	BRACKET FOR ELECTRODE	
45	7181439	1	CABLE. COMPL.	
46	1803139	2	SCREW M3X6	
47	3819859	1	THERMOSTAT 60 DG. W/AUTO	
48	3821685	1	THERMOSTAT 150 C	
49	7181437	1	TAB FOR EARTH CONNECTION	
50	1803139	2	SCREW M3X6	
52	7181435	1	CABLE FOR FLAME SENSOR	
53	6184328	1	BRACKET FOR ELECTRODE HOL	
54	126482241	1	BOX FOR MICROSWITCH	FROM 26.04.99

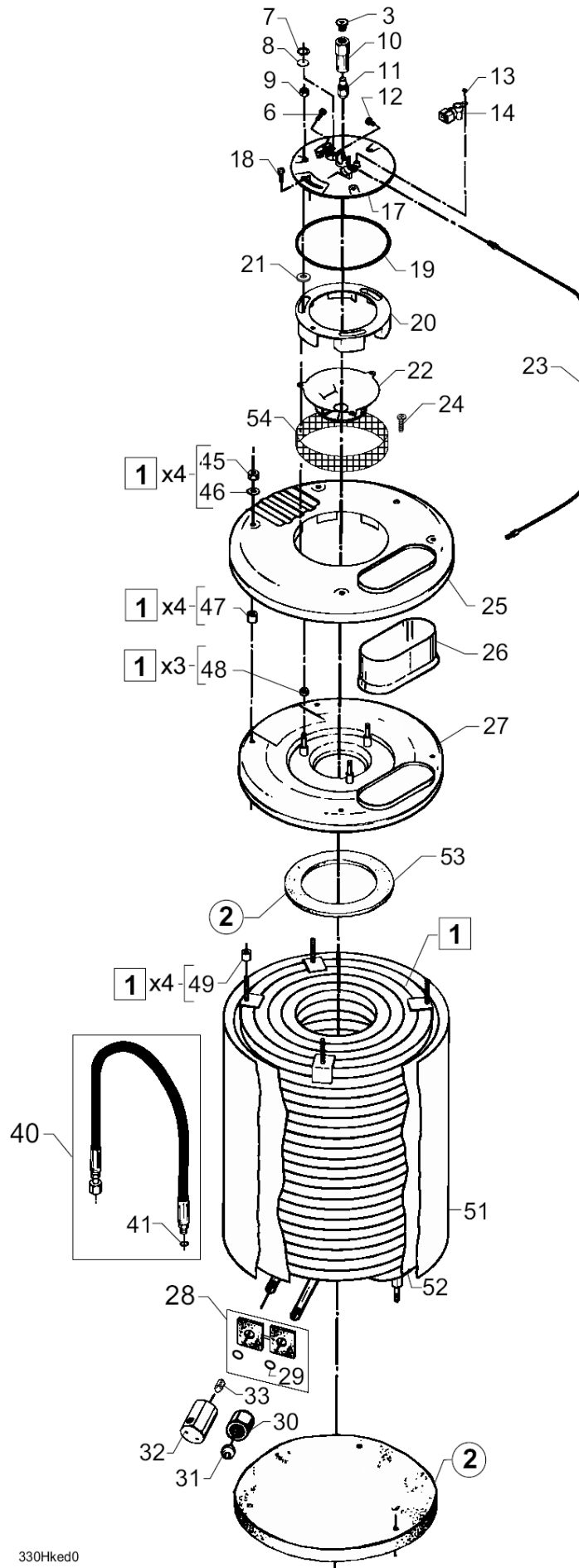
Boiler

30 HA COMPACT

14-02-2015

Part List ID
30HAC10

14



Boiler

30 HA COMPACT

14-02-2015

Part List ID
30HAC10

15

Pos	Part no.	Qty	Description	
1	7181904	1	BOILER COIL WITH NUTS	
1	7181922	1	COIL	STAINLESS STEEL
2	1119794	1	REPAIR KIT	
3	6180913	3	HOLE PLUG W. O-RING	
6	1805464	1	SCREW	
7	1814611	1	CLIP.	
8	6184295	1	INSPECTION GLASS	
9	2760	3	NUT M5 ISO 4032 ZN	
10	7181216	1	HOLDER FOR NOZZLE	
11	2802445	1	OIL NOZZLE 1.25 GAL 80 DEGREES	
11	2802647	1	OIL NOZZLE 1.1 GAL/H 4.2	
11	2802723	1	OIL NOZZLE 1.10 USGAL/H 8	B
11	2802724	1	NOZZLE 1.25GAL/H 4.71KG/	B
12	1803717	1	SCREW FOR NOZZLE	
13	1800606	1	SCREW CROSS M4X10 FZB DIN7985	FOR S
14	6420300	1	SENSOR FOR FLAME MONITOR	FOR S
17	6184272	1	BOILER COVER	FOR S
17	6240262	1	BOILER COVER	
18	1803030	1	SCREW CROSS M5 X 12 FZB DIN7985	
19	6184296	1	GASKET	
20	6184255	1	AIR THROTTLE	
21	1807999	3	WASHER M5 5.3X10X1	
22	6184350	1	AIR DISTRIBUTOR	
23	7181325	1	OIL PIPE COMPL	
24	1813781	1	SCREW M5X8	
25	6184281	1	BOILER TOP. OUTER SECTION	
26	6184259	1	SMOKESTACK	
27	6184360	1	BOILER TOP. INNER SECTION	
28	7181326	2	RUBBER SEAL	
29	3004278	4	O-RING 15.6 X 2.4 SMS	
30	6184288	1	UNION NUT	
31	6184287	1	NIPPLE	
32	7181220	1	SOCKET FOR INLET	
33	7181026	1	PISTON	
33	7181035	1	PISTON	60HZ
40	1450005	1	HIGH PRESSURE HOSE COMPL L 525	
41	3000072	1	O-RING 10.1X1.6 NITRIL 70SH	
45	2758	4	HEXAGON NUT M8	
46	1800796	4	WASHER M8	
47	6184275	4	SLEEVE	
48	6184294	3	SLEEVE	
49	6184293	4	SLEEVE Ø13Ø9.5 H12	
51	7181202	1	BURNER SHELL Ø 327X439	

Boiler

30 HA COMPACT

14-02-2015

Part List ID
30HAC10

16

Pos	Part no.	Qty	Description
52	7181909	1	INSIDE CASING TO CALORIFI
53	1119700	1	COIL GASKET
54	6184322	1	AIR FILTER

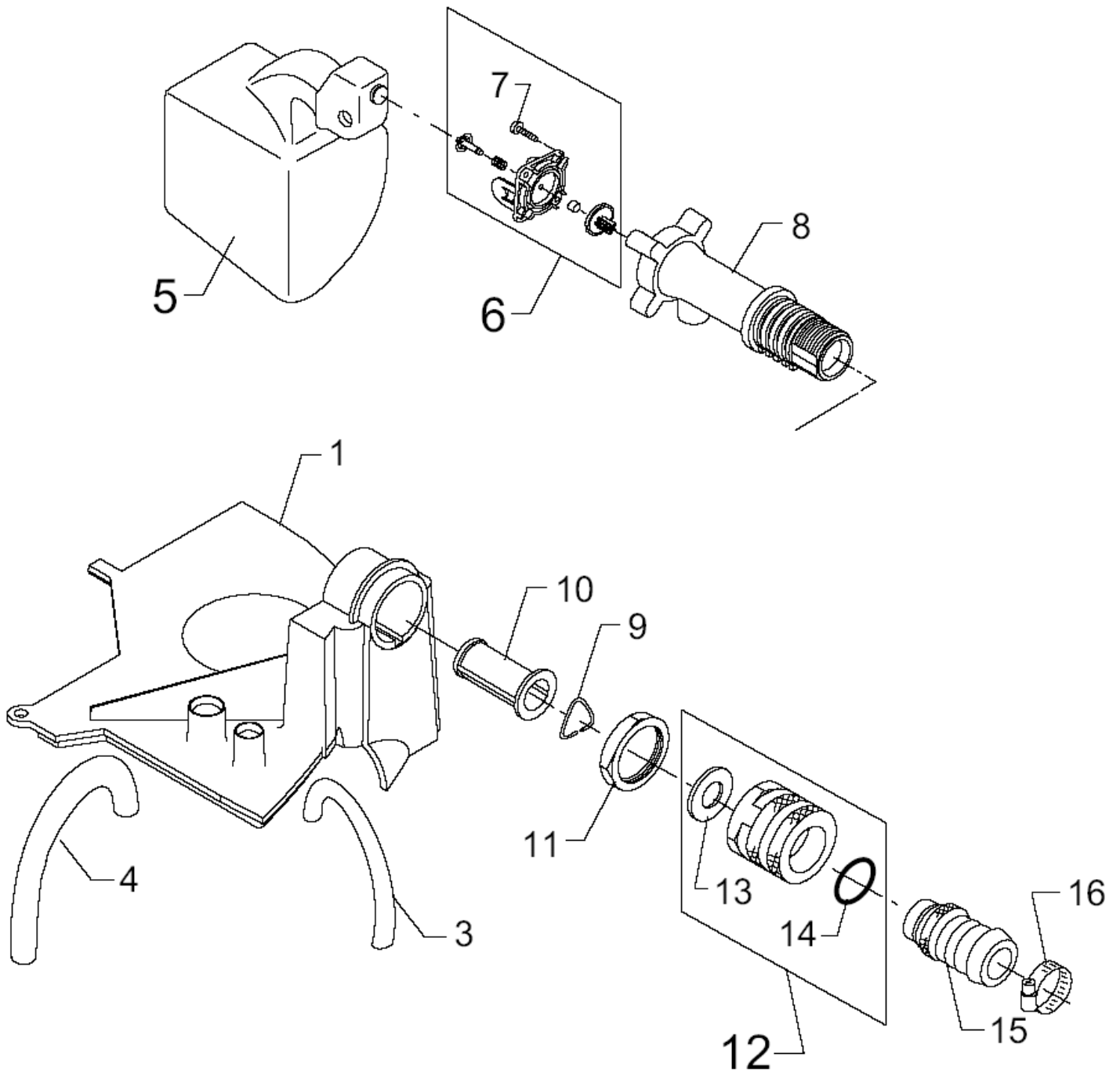
Float house

30 HA COMPACT

14-02-2015

Part List ID
30HAC12

17



Float house

30 HA COMPACT

14-02-2015

Part List ID
30HAC12

18

Pos	Part no.	Qty	Description
1	7181621	1	LID
3	5226147	1	HOSE PVC 4/7.2 L=400MM
4	2450004	1	HOSE 1200MM L=1200MM
5	1119793	1	REPAIR KIT
6	1119792	1	REPAIR KIT
7	1813641	4	SCREW EJOT- KB40X16 WN
8	7181700	1	PIPE FOR FLOAT VALVE
9	1807833	1	CLAMPING RING
10	6125144	1	FILTER
11	1800341	1	LOCK NUT 3/4IN
12	1602945	1	QUICK COUPLING 3/4 W/GASKET
13	3001237	1	GASKET Ø24.5XØ16X3 NITRIL 80SH
14	3000320	1	O-RING 20X3 NITRIL
15	1604669	1	NITO COUPLING HOSE END 1
15	1605955	1	NIPPLE F. QUICK COUPLING L.P USA
16	8298	1	HOSE CLIP 16-27