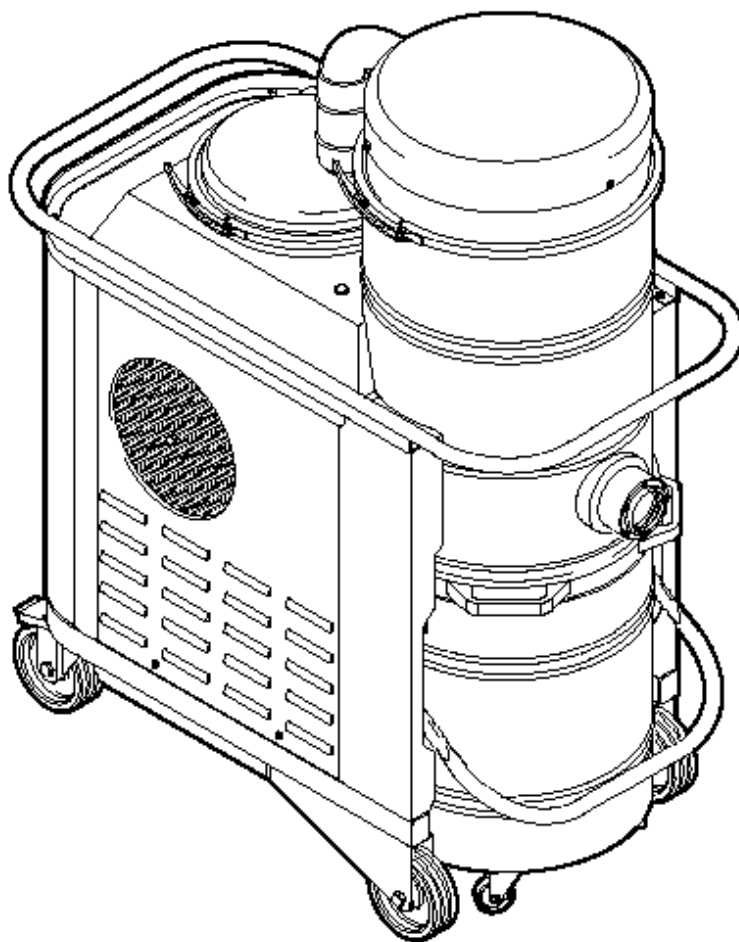


IV 075-110-150

Model:
IV 075
IV 110
IV 150



Part List US-English

24-01-2013

Table of Contents

IV 075-110-150

IV 075 - standard version - electric box	3
IV 075 - standard version - wiring diagram 1	5
IV 075 - standard version - wiring diagram 2	7
IV 075 - standard version - wiring diagram 3	9
IV 075 - filter shaker version	11
IV 075 - filter shaker version - wiring diagram 1	13
IV 075 - filter shaker version - wiring diagram 2	15
Trolley IV 075 - IV 110	17
Trolley IV 150	19
Safety / Absolute filter container IV 075-IV 110-I	21
Container IV 075- IV 110- IV 150	23
IV 110 - standard version - electric box	25
IV 110 - standard version - wiring diagram 1	27
IV 110 - standard version - wiring diagram 2	29
IV 110 - standard version - wiring diagram 3	31
IV 150 - standard version - electric box	33
IV 150 - standard version - wiring diagram 1	35
IV 150 - standard version - wiring diagram 2	37
IV 150 - standard version - wiring diagram 3	39
IV 150 - filter shaker version - electric box	41
IV 150 - filter shaker version - wiring diagram 1	43
IV 150 - filter shaker version - wiring diagram 2	45
Cartridge - electric box	47
Cartridge - wiring diagram	49
Filters and Top Container IV 075- IV 110- IV 150	51
Vacuum pump system IV 075- IV 110	53
Vacuum pump system IV 150	55
Standard electric components IV 075- IV 110- IV 15	57
Electrical filter shaker IV 075- IV 110- IV 150	59
Plastic bag system	61
Safe bag system IV 075 - IV 110	63
S. S. Container IV 075- IV 110- IV 150	65
Class M. IV 075 - IV 110	67
Class H. IV 075 - IV 110	69
Class M. IV 150	71
Class H. IV 150	73
Cartridge complete	75
HEPA Filter	77
Safety filter IV 075 - IV 110 - IV 150	79

Table of Contents

IV 075-110-150

Safe bag system IV 150

81

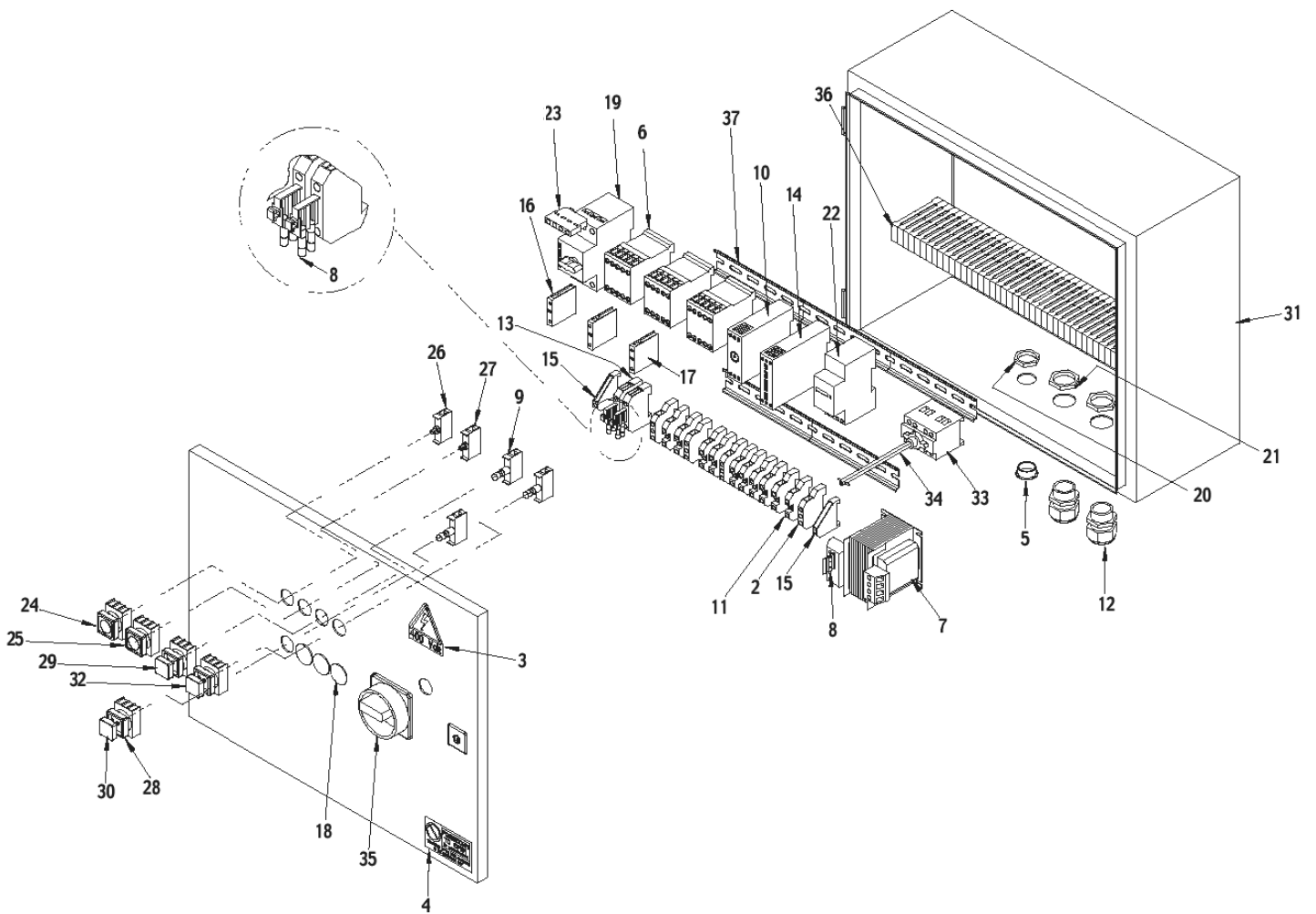
IV 075 - standard version - electric box

IV 075-110-150

24-01-2013

Part List ID
G20922

3



IV 075 - standard version - electric box

IV 075-110-150

24-01-2013

Part List ID

GZ09ZZ

4

Pos	Part no.	Qty	Description
2	Z8 39121	4	TERMINAL EARTH 6MMQ S
3	32401167	1	DECAL. VOLTAGE PRESENCE DECAL. VOLTAGE
4	Z8 17689	1	LABEL FORBIDDEN TO OPEN 82X42
6	Z8 39100	3	CONTACTOR KW5.5 24VAC SIRIUS S0
7	Z8 391051	1	TRANSFORMER 63VA 400-230/24V FUSE AT SEC
8	32401193	5	GLASS FUSE 3.15 A GLASS FUSE 3.15 A
9	Z8 39114	3	LAMP BA9 V24
10	Z8 39119	1	TIMER S/T 0-60 SEC. 24-110-230V
11	Z8 39120	10	TERMINAL LINE 6MMQ S
12	Z8 39205	2	CABLE GLAND PG21 PA
13	Z8 39244	2	TERMINAL FUSEHOLDER 1.5mmq S 5X20
14	Z8 391120	1	RELAY PHASE SEQUENCE 180-600V
15	Z8 39296	2	TERMINAL STOP x GUIDE 35mm S
16	Z8 39366	1	CONTACT AUX CONTACTOR NO SIRIUS S2-S12
17	Z8 39367	2	CONTACT AUX CONTACTOR NC SIRIUS S2-S12
18	Z8 39522	3	PLUG BLIND CONTROL PLATE D22
19	Z8 39535	1	CIRCUIT BREAKER 14-20 A SIRIUS S0
20	Z8 39568	1	METAL RING NUT PG16
21	Z8 39569	2	METAL RING NUT PG21
22	Z8 39693	1	HOURS COUNTER TO GUIDE 24VAC
23	Z8 39726	1	AUX CONTACT CIRCUIT BREAKER SIRIUS S2-S3
24	32401221	1	PULSE. START PULSE. START
25	32401222	1	PULSE. STOP PULSE. STOP
26	32401224	1	CONTACT
27	32401225	1	CONTACT. NC CONTACT. NC
28	32401226	3	LAMP HOLDER P.C. LAMP HOLDER P.C.
29	32401227	1	LAMP. WHITE V24 P.C. LAMP. WHITE V24
30	32401228	1	LAMP. YELLOW V24 P.C. LAMP. YELLOW V24
31	32401232	1	STEEL BOX 400X500X200 + STEEL BOX
32	32401233	1	LAMP. RED V24 P.C. LAMP. RED V24 P.C.
33	32401238	1	SAFETY BOX LOCK SAFETY BOX LOCK
34	Z58 39450	1	MAIN SWITCH 3X32A ILM
35	Z58 39450	1	MAIN SWITCH 3X32A ILM
36	32401241	1	RACEWAY 25x80 RACEWAY 25x80
37	32401243	5	GUIDE. OMEGA GUIDE. OMEGA

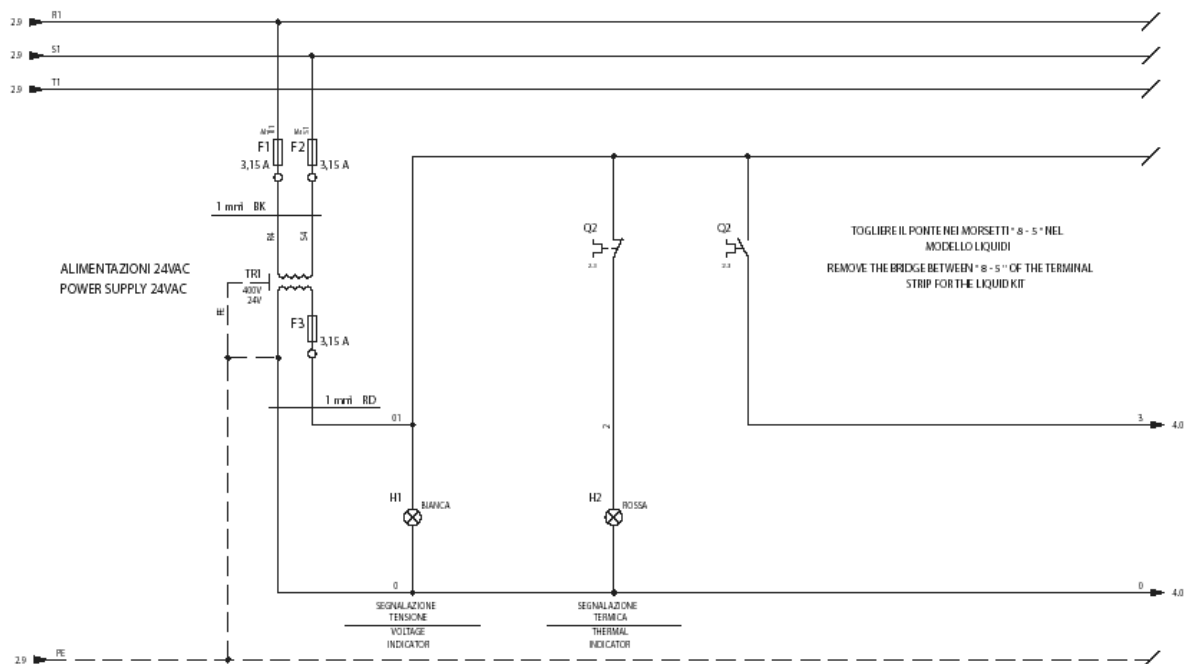
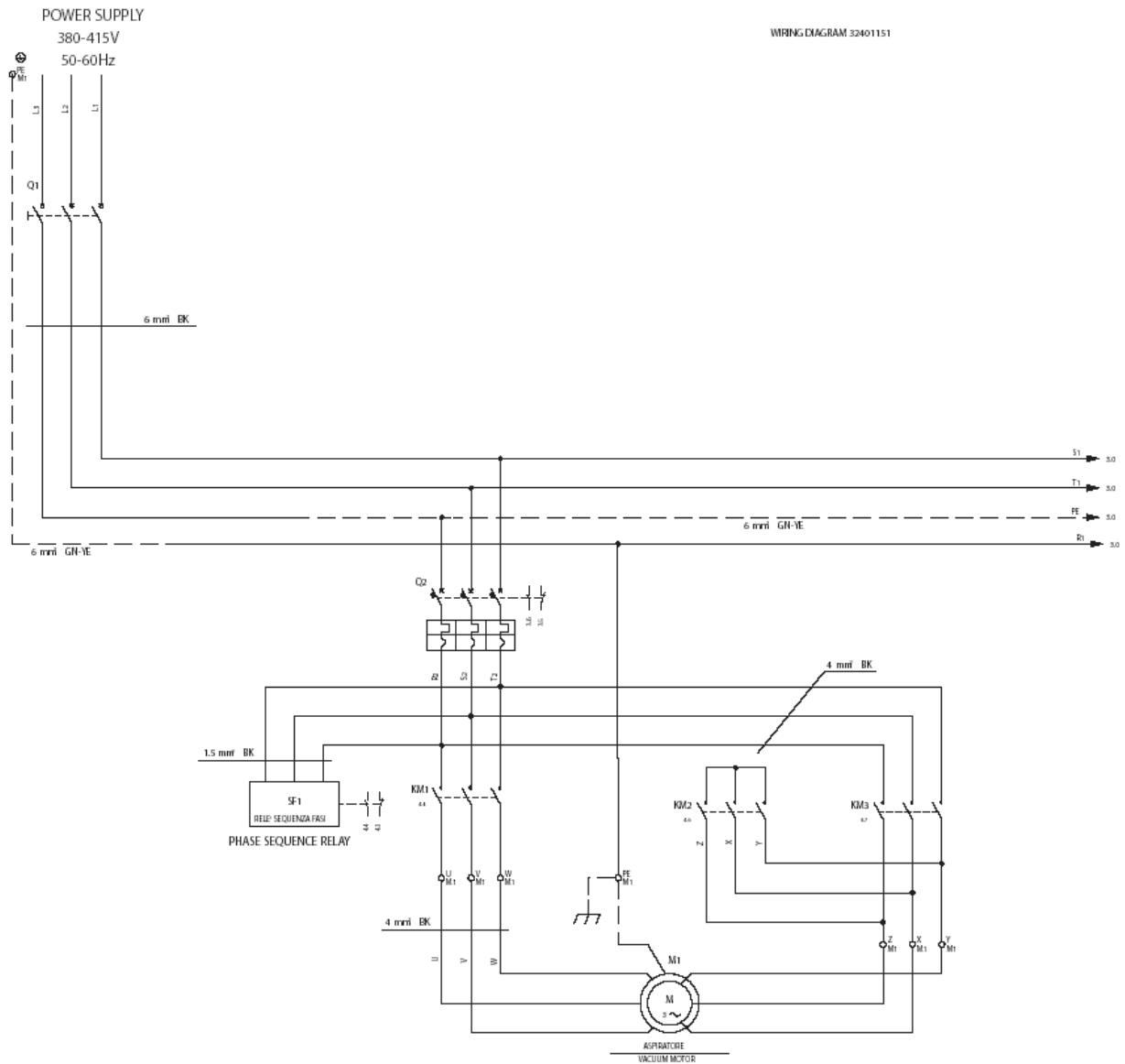
IV 075 - standard version - wiring diagram 1

IV 075-110-150

24-01-2013

Part List ID
G20923

5



ALIMENTAZIONE

IV 075 - standard version - wiring diagram 1

IV 075-110-150

24-01-2013

Part List ID

GZ09Z3

6

IV 075 - standard version - wiring diagram 2

IV 075-110-150

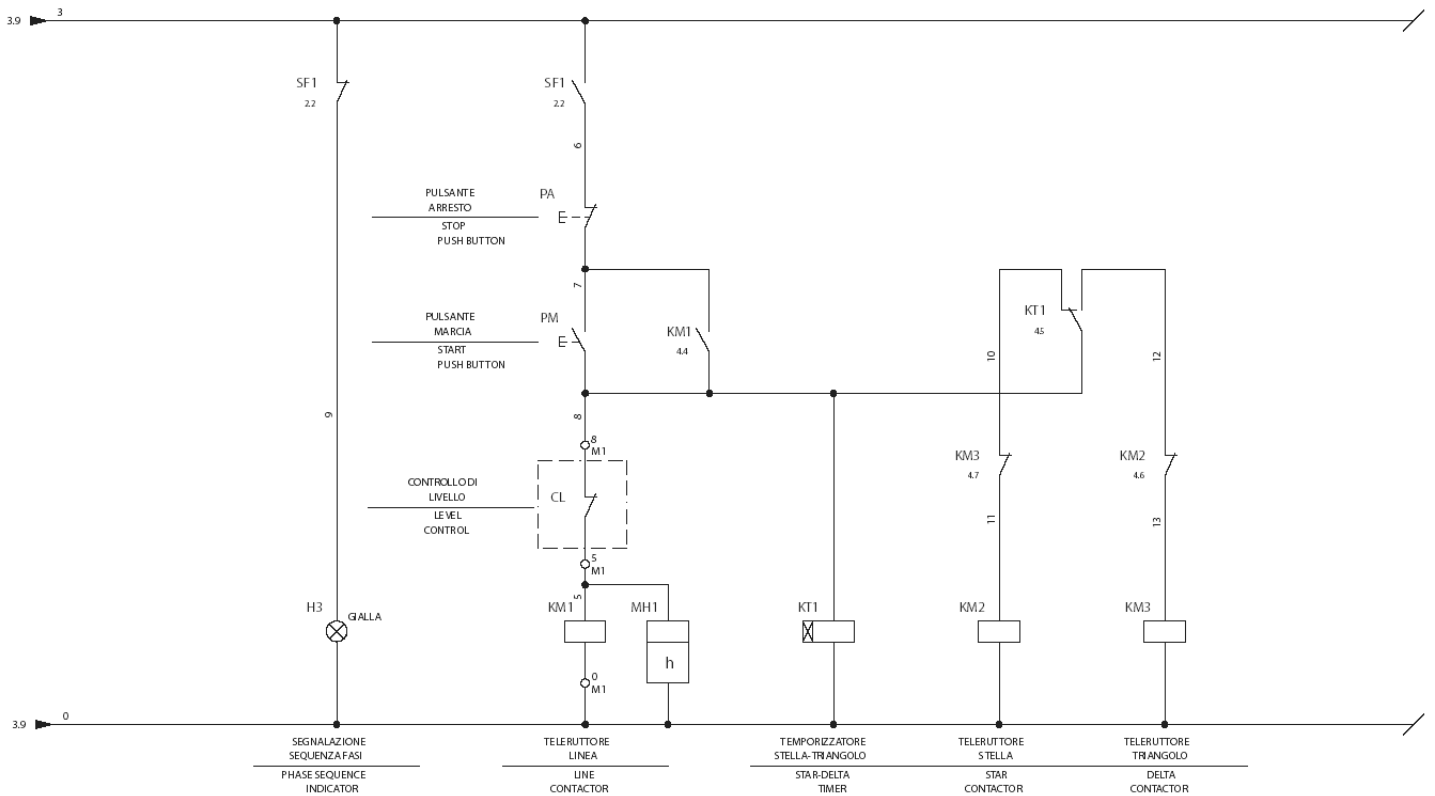
24-01-2013

Part List ID G20924

7

WIRING DIAGRAM 32401151

DOVE: NON E' SPECIFICATO CABLARE CON FILO ROSSO 1mmq - WHERE NOT SPECIFIED USE RED CABLE 1 SQ MM



IV 075 - standard version - wiring diagram 2

IV 075-110-150

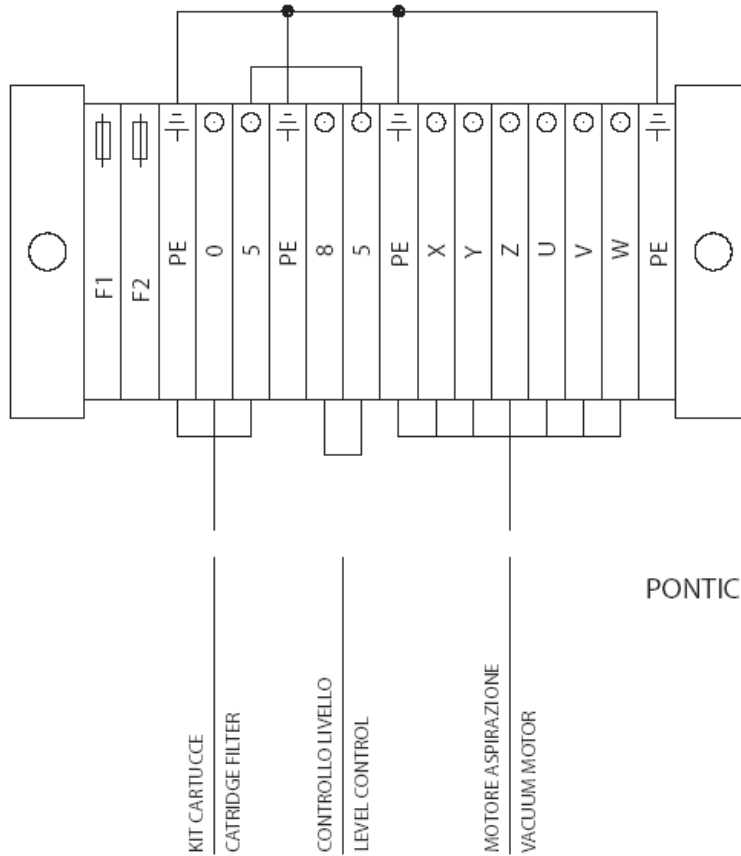
24-01-2013

Part List ID

GZ0924

8

QUADRO QG - MORSETTIERA M1



PONTICELLARE I MORSETTI " 8 - 5 " IN FASE DI CABLAGGIO

N me/Item	Descrizi ne/Descripti n	Descrizi ne/Descripti n
H1	SPIA BIANCA	WHITE LAMP
H2	SPIA ROSSA	RED LAMP
H3	SPIA GIALLA	YELLOW LAMP
PA	PULSANTE	PUSH BUTTON
PM	PULSANTE	PUSH BUTTON
KM1	TELERUTTORE HP 5,5 24VAC 1NO	CONTACTOR HP 5,5 24VAC 1NO
KM2	TELERUTTORE HP 3 24VAC 1NC	CONTACTOR HP 3 24VAC 1NC
KM3	TELERUTTORE HP 5,5 24VAC 1NC	CONTACTOR HP 5,5 24VAC 1NC
Q2	SALVAMOTORE 11-16 A SALVAMOTORE 14-20 A SALVAMOTORE 23-32 A SALVAMOTORE 17-22 A	AUTOMATIC BREAKER 11-16 A AUTOMATIC BREAKER 14-20 A AUTOMATIC BREAKER 23-32 A AUTOMATIC BREAKER 17-22 A
KT1	CONTAORE A GUIDA	COUNTER HOURS
SF1	RELE' SEQUENZA FASI 400V	PHASE SEQUENCE RELAY 400V
TR1	TRASFORMATORE 63VA 400/24V	TRANSFORMER 63VA 400/24V
M1	MORSETTO TERRA 6mmq 5 MORSETTO LINEA 6mmq 5	GROUND TERMINAL 6mmq 5 LINE TERMINAL 6mmq 5
MH1	MORSETTO PORTAFUSIBILE 1,5mmq 5	FUSE HOLDER TERMINAL 1,5mmq 5

IV 075 - standard version - wiring diagram 3

IV 075-110-150

24-01-2013

Part List ID

GZ0925

10

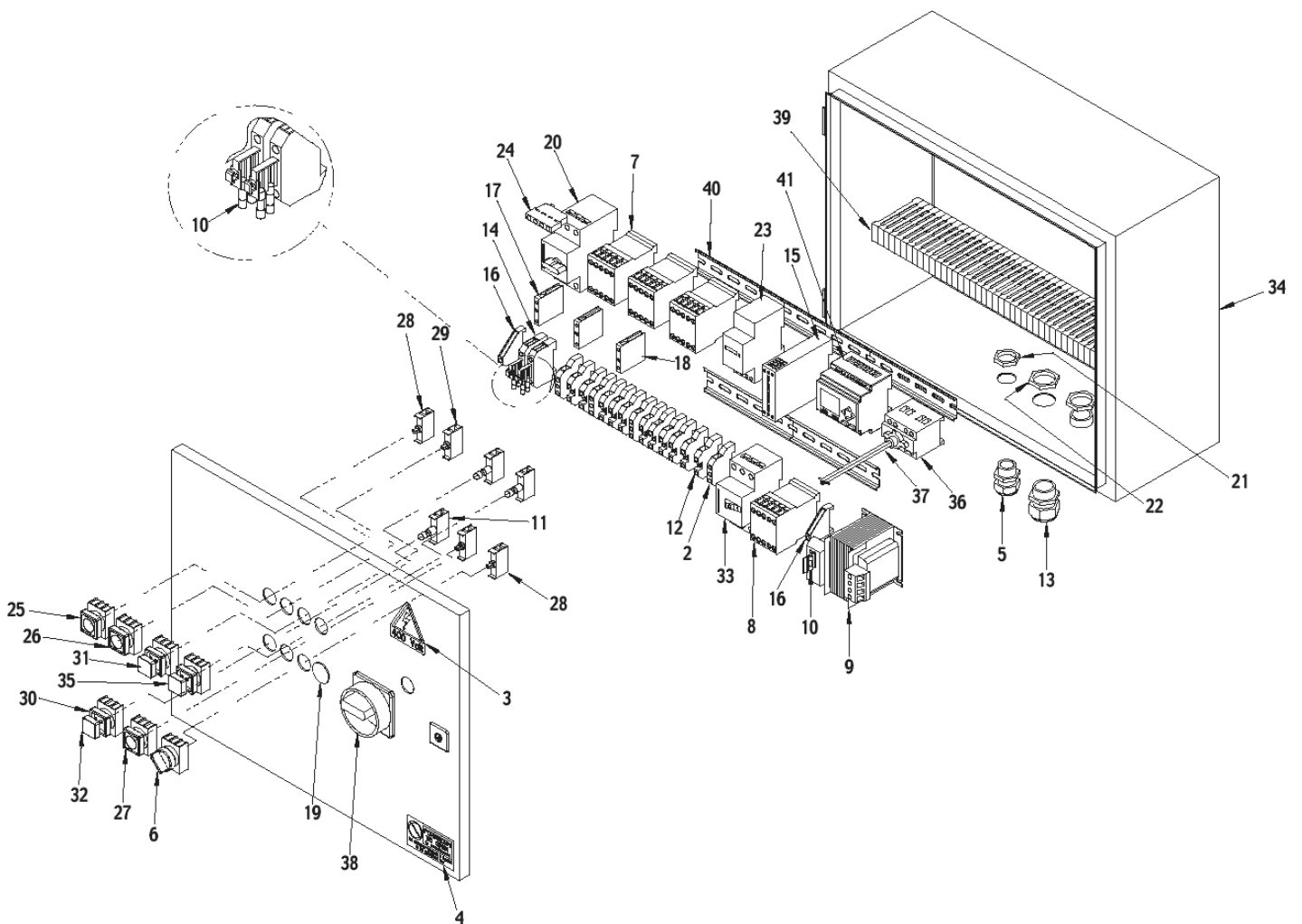
IV 075 - filter shaker version

IV 075-110-150

24-01-2013

Part List ID
G20927

11



IV 075 - filter shaker version

IV 075-110-150

24-01-2013

Part List ID

GZ09Z7

12

Pos	Part no.	Qty	Description
2	Z8 39121	4	TERMINAL EARTH 6MMQ S
3	32401167	1	DECAL. VOLTAGE PRESENCE DECAL. VOLTAGE
4	Z8 17689	1	LABEL FORBIDDEN TO OPEN 82X42
5	Z8 39055	1	CABLE GLAND PG16 PA
6	32401175	1	SELECTOR SWITCHER SELECTOR SWITCHER
7	Z8 39100	3	CONTACTOR KW5.5 24VAC SIRIUS S0
8	Z8 391006	1	CONTACTOR KW3 24VAC 1NC SIRIUS S00
9	Z8 391051	1	TRANSFORMER 63VA 400-230/24V FUSE AT SEC
10	32401193	5	GLASS FUSE 3.15 A GLASS FUSE 3.15 A
11	Z8 39114	3	LAMP BA9 V24
12	Z8 39120	11	TERMINAL LINE 6MMQ S
13	Z8 39205	2	CABLE GLAND PG21 PA
14	Z8 39244	2	TERMINAL FUSEHOLDER 1.5mmq S 5X20
15	Z8 391120	1	RELAY PHASE SEQUENCE 180-600V
16	Z8 39296	2	TERMINAL STOP x GUIDE 35mm S
17	Z8 39366	1	CONTACT AUX CONTACTOR NO SIRIUS S2-S12
18	Z8 39367	2	CONTACT AUX CONTACTOR NC SIRIUS S2-S12
19	Z8 39522	1	PLUG BLIND CONTROL PLATE D22
20	Z8 39535	1	CIRCUIT BREAKER 14-20 A SIRIUS S0
21	Z8 39568	1	METAL RING NUT PG16
22	Z8 39569	2	METAL RING NUT PG21
23	Z8 39693	1	HOURS COUNTER TO GUIDE 24VAC
24	Z8 39726	1	AUX CONTACT CIRCUIT BREAKER SIRIUS S2-S3
25	32401221	1	PULSE. START PULSE. START
26	32401222	1	PULSE. STOP PULSE. STOP
27	32401223	1	PULSE. ELECTRIC SHACKER PULSE. ELECTRIC
28	32401224	3	CONTACT
29	32401225	1	CONTACT. NC CONTACT. NC
30	32401226	3	LAMP HOLDER P.C. LAMP HOLDER P.C.
31	32401227	1	LAMP. WHITE V24 P.C. LAMP. WHITE V24
32	32401228	1	LAMP. YELLOW V24 P.C. LAMP. YELLOW V24
33	Z8 39746	1	CIRCUIT BREAKER 0,7-1 A S00 SIRIUS S00
34	32401232	1	STEEL BOX. 400X500X200 + STEEL BOX.
35	32401233	1	LAMP. RED V24 P.C. LAMP. RED V24 P.C.
36	32401238	1	SAFETY BOX LOCK SAFETY BOX LOCK
37	Z58 39450	1	MAIN SWITCH 3X32A ILM
38	Z58 39450	1	MAIN SWITCH 3X32A ILM
39	32401241	1	RACEWAY 25x80 RACEWAY 25x80
40	32401243	5	GUIDE. OMEGA GUIDE. OMEGA
41	Z58 39607	1	CONTROLLER LOGO 24RC 24VAC/DC 8IN/4OUT

IV 075 - filter shaker version - wiring diagram

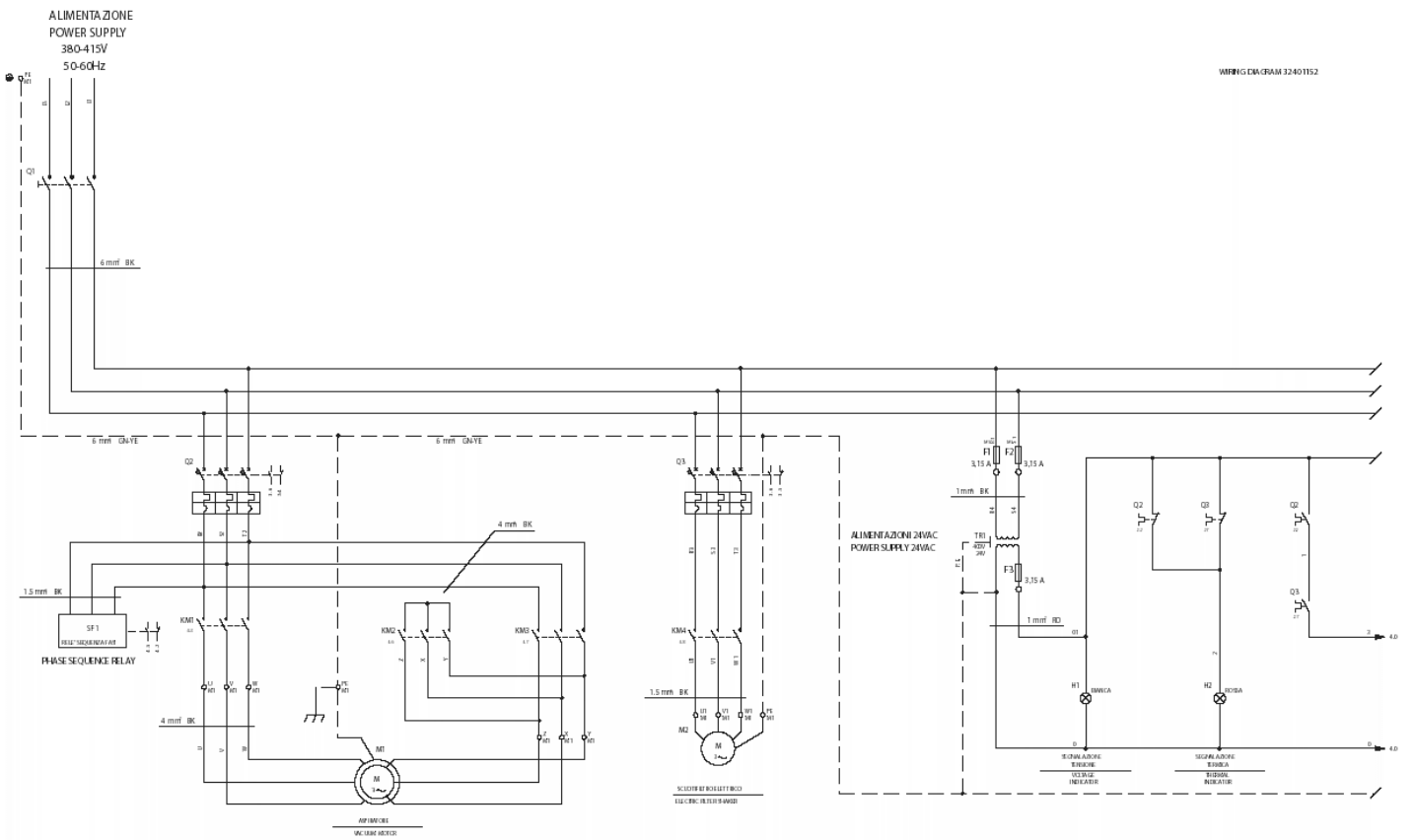
IV 075-110-150

24-01-2013

Part List ID

G20928

13



IV 075 - filter shaker version - wiring diagram

IV 075-110-150

24-01-2013

Part List ID GZ0928

14

IV 075 - filter shaker version - wiring diagram

IV 075-110-150

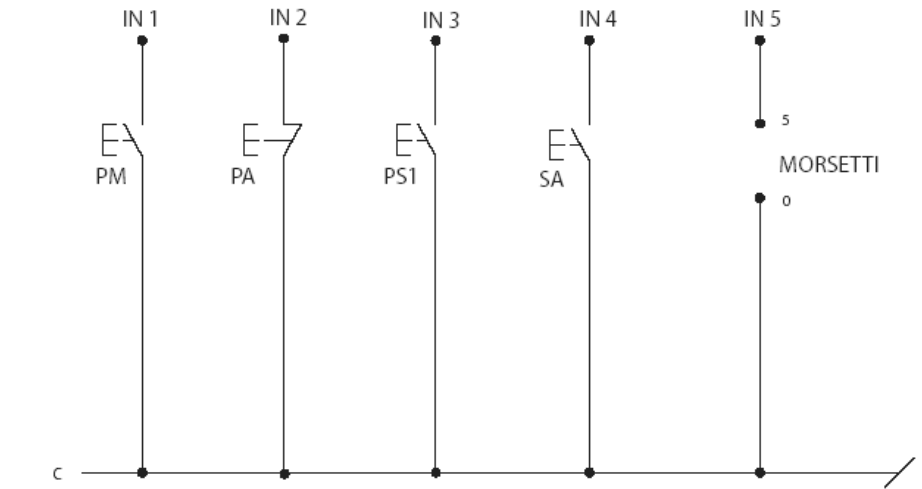
24-01-2013

Part List ID
G20929

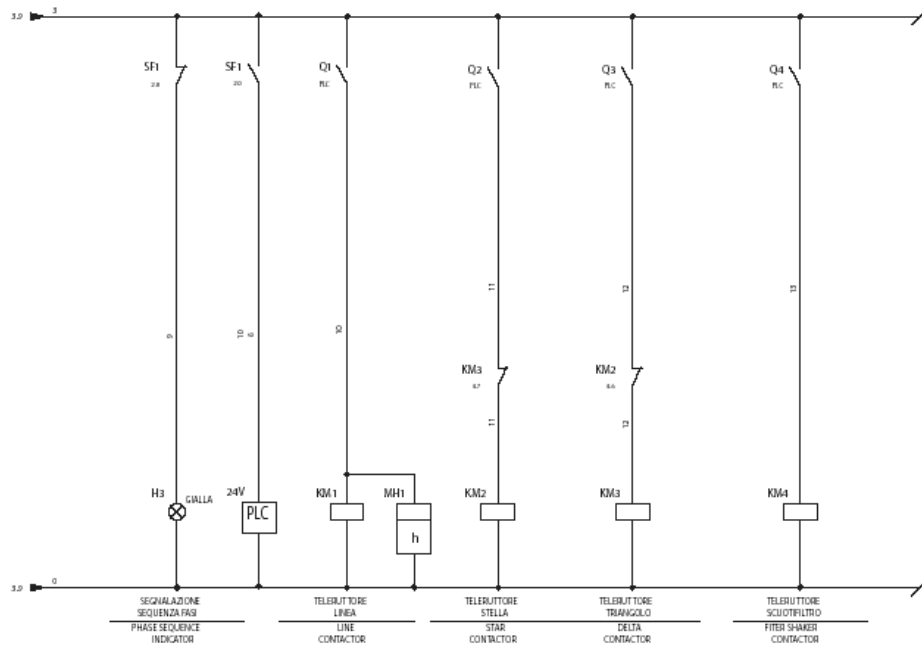
15

WIRING DIAGRAM 32401152

INGRESSI PLC

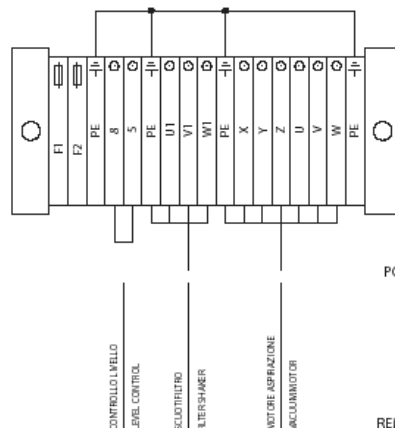


DOVE NON E' SPECIFICATO CABLARE CON FILO ROSSO 1mmq



QUADRO QG - MORSETTIERA M1

N me/Item	Descrizi ne/Descripti n	Descrizi ne/Descripti n
H1	SPIA BIANCA	WHITE LAMP
H2	SPIA ROSSA	RED LAMP
H3	SPIA GIALLA	YELLOW LAMP
PR	PULSANTE	PUSH BUTTON
PM	PULSANTE	PUSH BUTTON
KM1	TELEBUTTORE HP 5,5 24VAC 1NC	CONTACTOR HP 5,5 24VAC 1NC
KM2	TELEBUTTORE HP 5,5 24VAC 1NC	CONTACTOR HP 5,5 24VAC 1NC
KM3	TELEBUTTORE HP 5,5 24VAC 1NC	CONTACTOR HP 5,5 24VAC 1NC
KM4	TELEBUTTORE HP 5,5 24VAC 1NC	CONTACTOR HP 5,5 24VAC 1NC
Q1	TELEBUTTORE HP 5,5 24VAC 1NC	CONTACTOR HP 5,5 24VAC 1NC
Q2	TELEBUTTORE HP 5,5 24VAC 1NC	CONTACTOR HP 5,5 24VAC 1NC
Q3	TELEBUTTORE HP 5,5 24VAC 1NC	CONTACTOR HP 5,5 24VAC 1NC
Q4	TELEBUTTORE HP 5,5 24VAC 1NC	CONTACTOR HP 5,5 24VAC 1NC
KT1	CONTORE A GIADA	COUNTER HOURS
SF1	RELE' SEQUENZA FASI 400V	PHASE SEQUENCE RELAY 400V
TR1	TRASFORMATORE 63VA 400/24V	TRANSFORMER 63VA 400/24V
M1	MORSETTO TERRA 6mmq 5	GROUND TERMINAL 6mmq 5
M2	MORSETTO LINEA 6mmq 5	LINE TERMINAL 6mmq 5
MH1	MORSETTO PORTAFUSIBILE 1,5mmq 5	FUSE HOLDER TERMINAL 1,5mmq 5



PONTICELLARE I MORSETTI * 8 - 5 * IN FASE DI CABLAGGIO

TOGLIERE IL PONTE NEI MORSETTI * 8 - 5 * NEL MODELLO LIQUIDI
REMOVE THE BRIDGE BETWEEN * 8 - 5 * OF THE TERMINAL STRIP FOR THE LIQUID KIT

IV 075 - filter shaker version - wiring diagram

IV 075-110-150

24-01-2013

Part List ID GZ09Z9

16

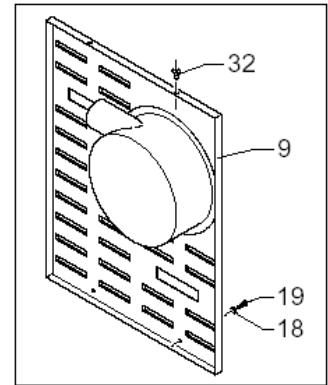
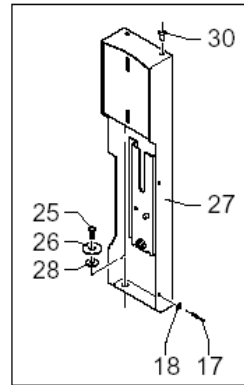
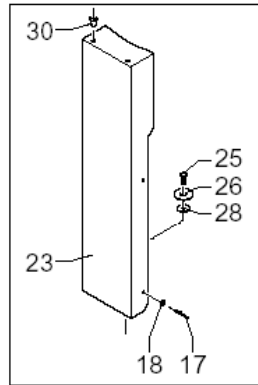
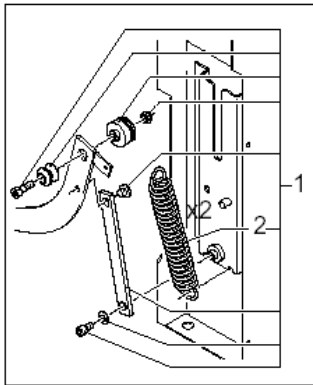
Trolley IV 075 - IV 110

IV 075-110-150

24-01-2013

Part List ID
G20933

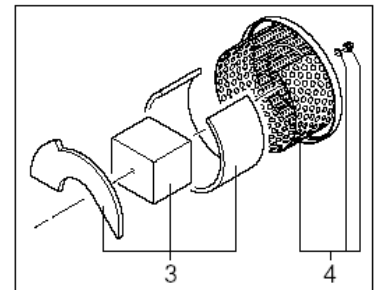
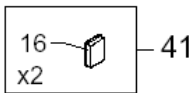
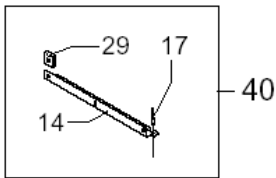
17



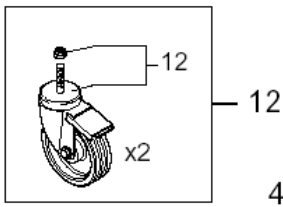
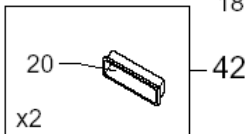
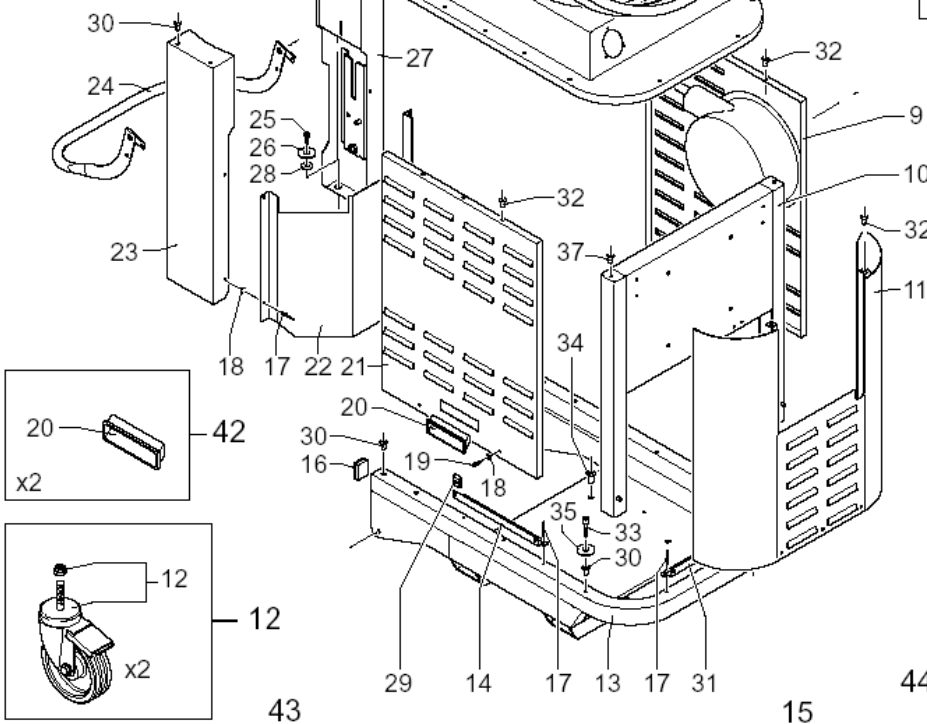
38A

38B

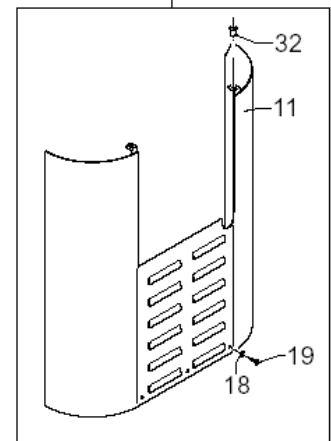
39



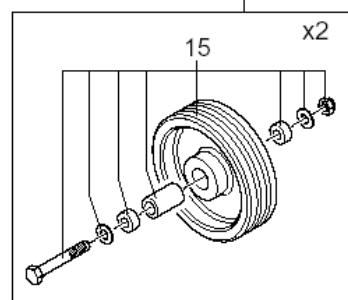
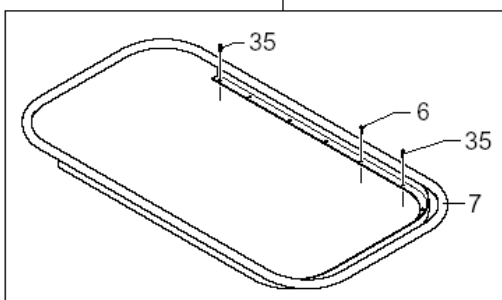
45



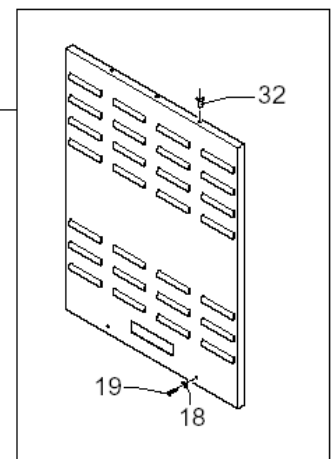
43



44



45



Trolley IV 075 - IV 110

IV 075-110-150

24-01-2013

Part List ID

GZ0933

18

Pos	Part no.	Qty	Description
1	32400867	1	LEVER.FOR LOWERING COMPL. IV055
2	32400350	2	SPRINGS.KIT FOR LOWERING
3	32400868	1	DIFFUSER.FOR SOUNDPROOF IV055
4	32400869	1	COVER.FOR EXHAUST OUTLET IV055
10	32400402	1	PILLAR.FOR ELECTR.PANEL
12	32400876	1	WHEEL.PIVOTING COMPLETE IV075/110/150
13	32400473	1	TROLLEY.COMPLETE
15	32400877	1	WHEEL.FIXED COMPLETE IV075/110/150
20	32400038	3	HANDLE.KNOB
22	32400391	1	PROTECTION
24	32400878	1	LEVER.FOR PUSHING KIT D.560
31	32400386	1	LEDGE.CARTER
39	32401007	1	PANEL.LEFT COMPLETE IV075/110/150
40	32401002	1	LEDGE.COMPLETE IV055/075/110/150
41	32401003	1	PLUGS.X CLOSING BASE SET
42	32400778	2	HANDLE.FOR PANEL KIT COMPLETE
43	32401008	1	HANDLE.GUIDE COMPLETE IV075/110/150
44	32401009	1	PANEL.RIGHT COMPLETE IV075/110
45	32401006	1	CASE.REAR KIT COMPLETE IV055/075/110/150
38A	32400999	1	PILLAR.RIGT COMPLETE IV055/075/110/150
38B	32401000	1	PILLAR.LEFT COMPLETE IV055/075/110/150

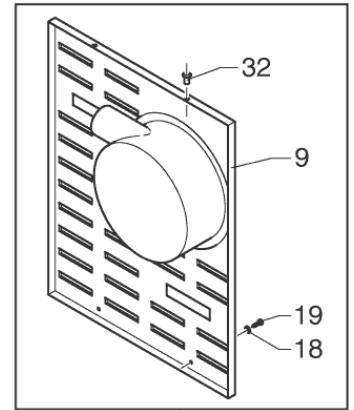
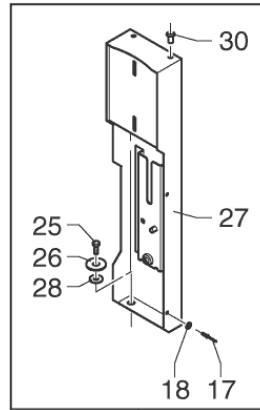
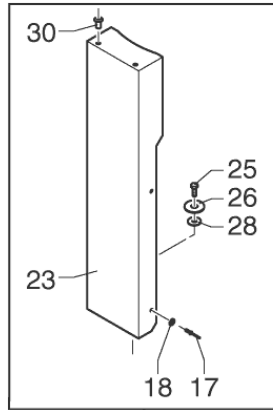
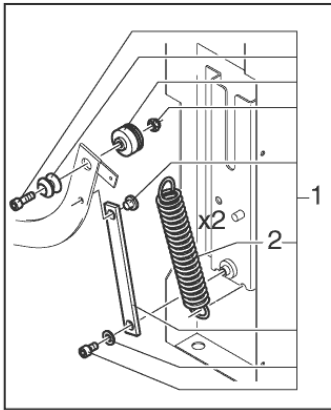
Trolley IV 150

IV 075-110-150

24-01-2013

Part List ID
G20935

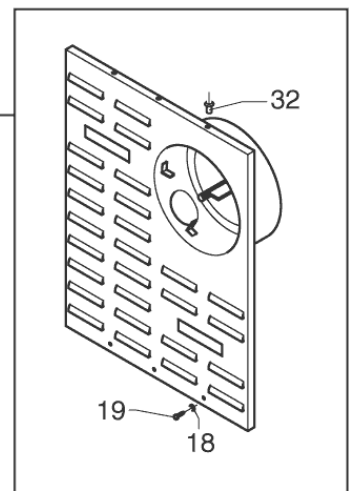
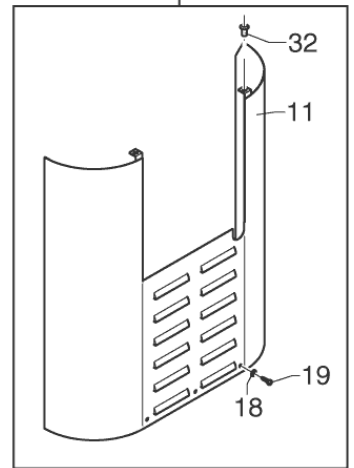
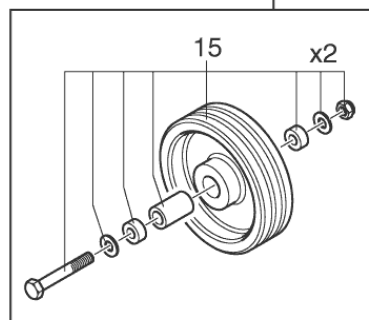
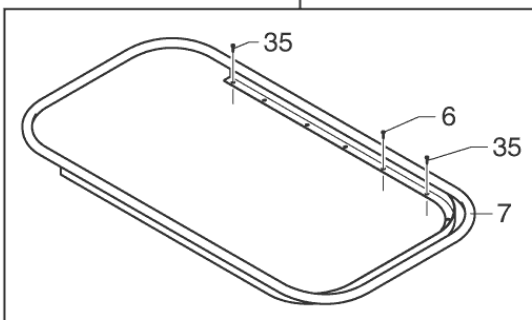
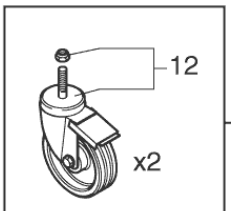
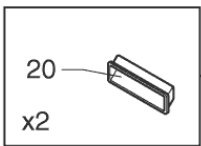
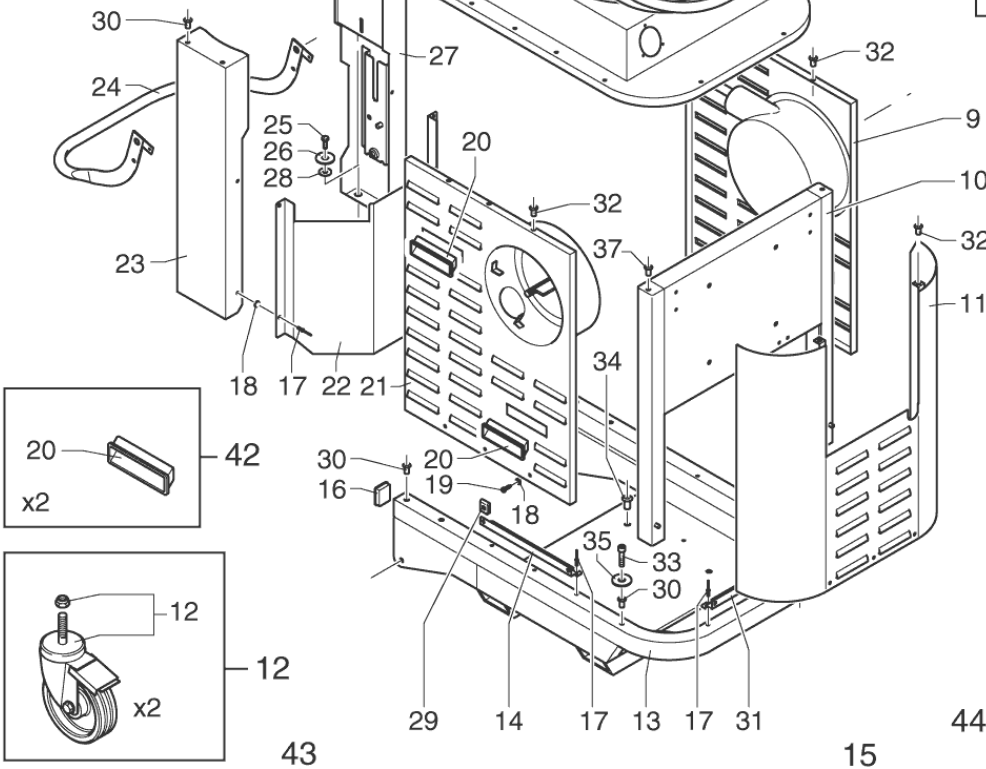
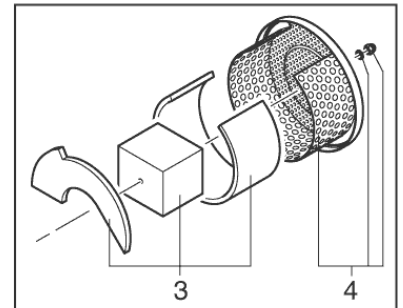
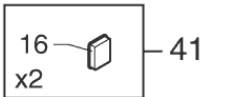
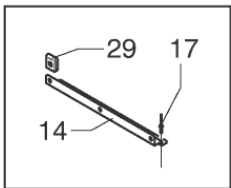
19



38A

38B

39



Trolley IV 150

IV 075-110-150

24-01-2013

Part List ID

GZ0935

20

Pos	Part no.	Qty	Description
1	32400867	1	LEVER.FOR LOWERING COMPL. IV055
2	32400350	2	SPRINGS.KIT FOR LOWERING
3	32400868	2	DIFFUSER.FOR SOUNDPROOF IV055
4	32400869	2	COVER.FOR EXHAUST OUTLET IV055
8	32400467	1	CASE.UPPER
10	32400402	1	PILLAR.FOR ELECTR.PANEL
12	32400876	2	WHEEL.PIVOTING COMPLETE IV075/110/150
13	32400473	1	TROLLEY.COMPLETE
15	32400877	2	WHEEL.FIXED COMPLETE IV075/110/150
22	32400391	1	PROTECTION
24	32400878	1	LEVER.FOR PUSHING KIT D.560
31	32400386	1	LEDGE.CARTER
39	32401007	1	PANEL.LEFT COMPLETE IV075/110/150
40	32401002	1	LEDGE.COMPLETE IV055/075/110/150
41	32401003	1	PLUGS.X CLOSING BASE SET
42	32400778	2	HANDLE.FOR PANEL KIT COMPLETE
43	32401008	1	HANDLE.GUIDE COMPLETE IV075/110/150
44	32401010	1	PANEL.RIGHT COMPLETE IV150
45	32401006	1	CASE.REAR KIT COMPLETE IV055/075/110/150
38A	32400999	1	PILLAR.RIGT COMPLETE IV055/075/110/150
38B	32401000	1	PILLAR.LEFT COMPLETE IV055/075/110/150

Safety / Absolute filter container IV 075-IV 110

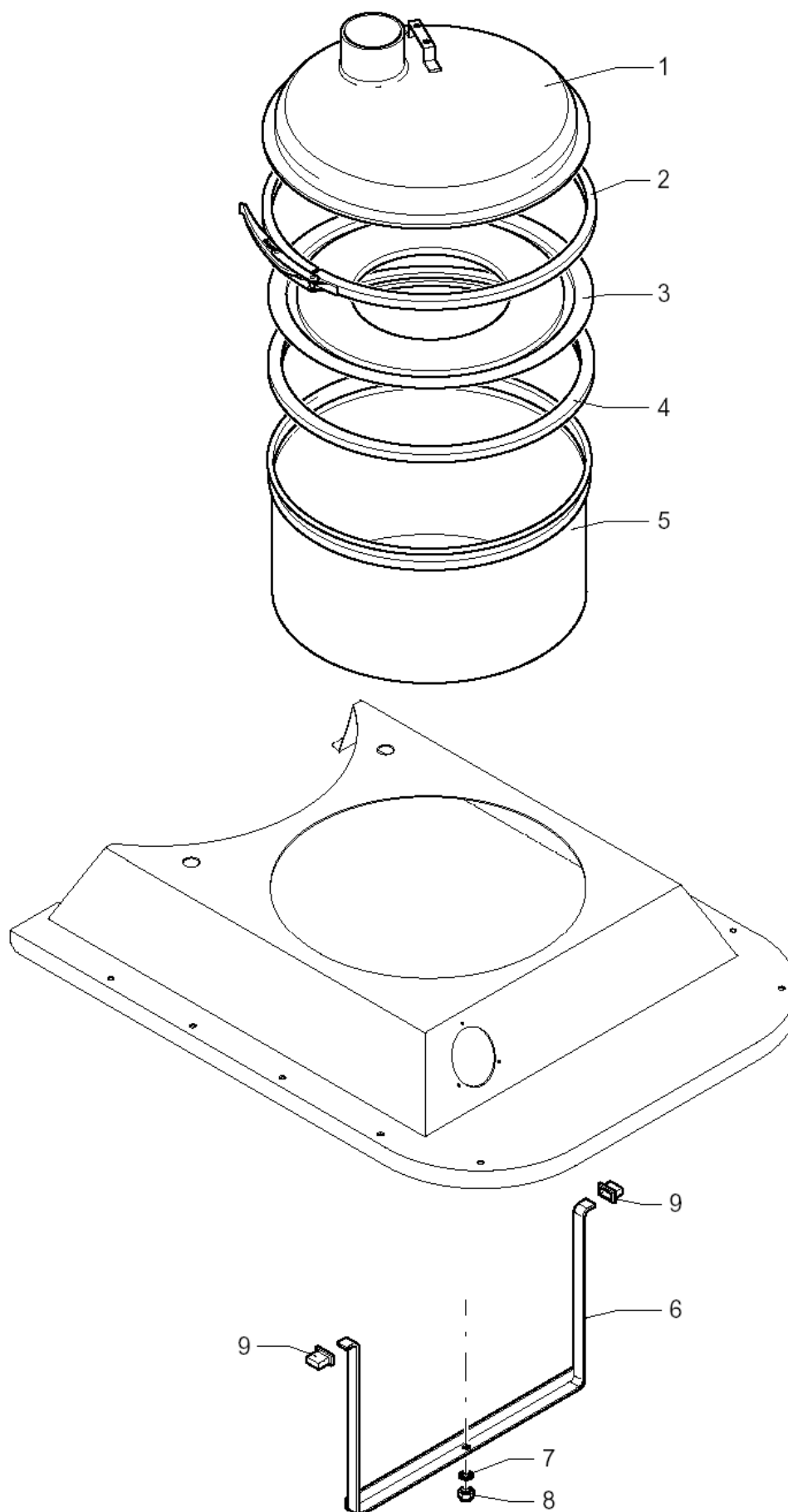
IV 075-110-150

24-01-2013

Part List ID

G20937

21



Safety / Absolute filter container IV 075-IV 110

IV 075-110-150

24-01-2013

Part List ID

GZ0937

22

Pos	Part no.	Qty	Description
1	32400450	1	CAP. FOR FILTER ABSOLUTE
2	32400344	1	CLAMPING BAND.KIT D.460
3	32400447	1	BOTTOM.UPPER
4	32400336	1	GASKET.FOR RING KIT D.460
5	32400448	1	CONTAINER.FILTER ABSOLUTE
6	32400442	1	BRACKET
9	32400446	2	RUBBER.NON-SLIP GM17

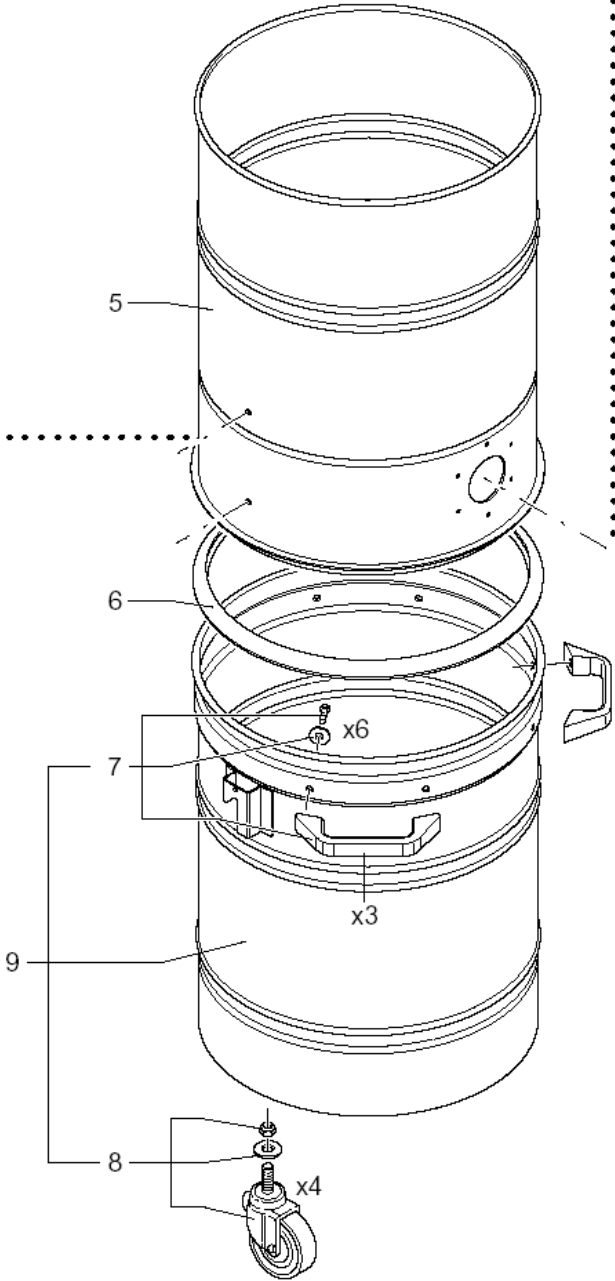
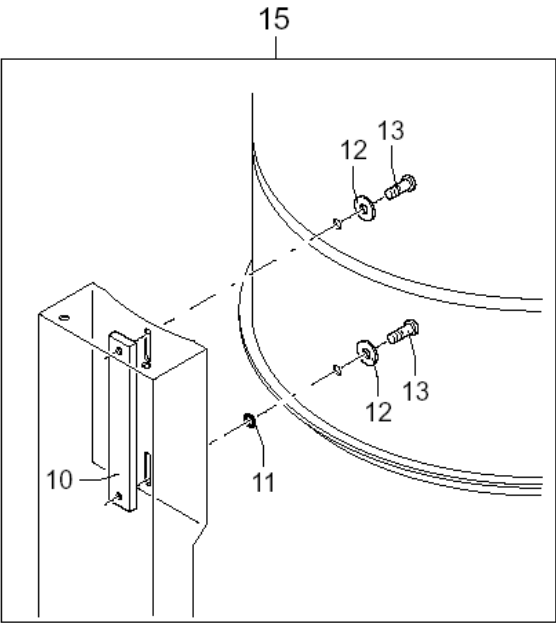
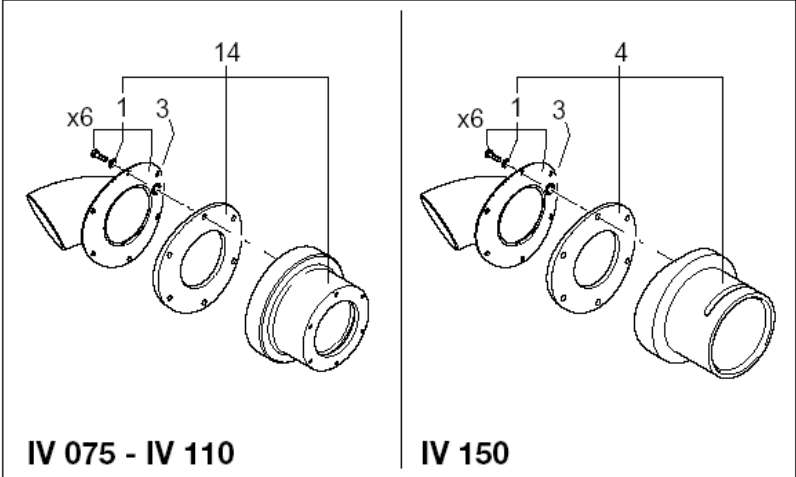
Container IV 075- IV 110- IV 150

IV 075-110-150

24-01-2013

Part List ID
G20939

23



Container IV 075- IV 110- IV 150

IV 075-110-150

24-01-2013

Part List ID

GZ0939

24

Pos	Part no.	Qty	Description
1	32400885	1	DEFLECTOR.KIT COMPLETE IV150
4	32400886	1	INLET.KIT D100 MM IV150
5	32400887	1	CHAMBER.FILTER KIT D.560
6	32400888	1	GASKET.SHAPED KIT D.560
7	32400333	3	HANDLE.KIT FOR CONTAINER
8	32400889	4	WHEELS.KIT CONTAINER IV055/075/110/150
9	32400890	1	CONTAINER.KIT COMPLETE IV055
9	32400891	1	CONTAINER.KIT COMPLETE IV075/110/150
14	32400939	1	INLET.KIT D70 MM IV075 IV110
15	32401011	1	PLATE.FIXING COMPLETE IV055/075/110/150

IV 110 - standard version - electric box

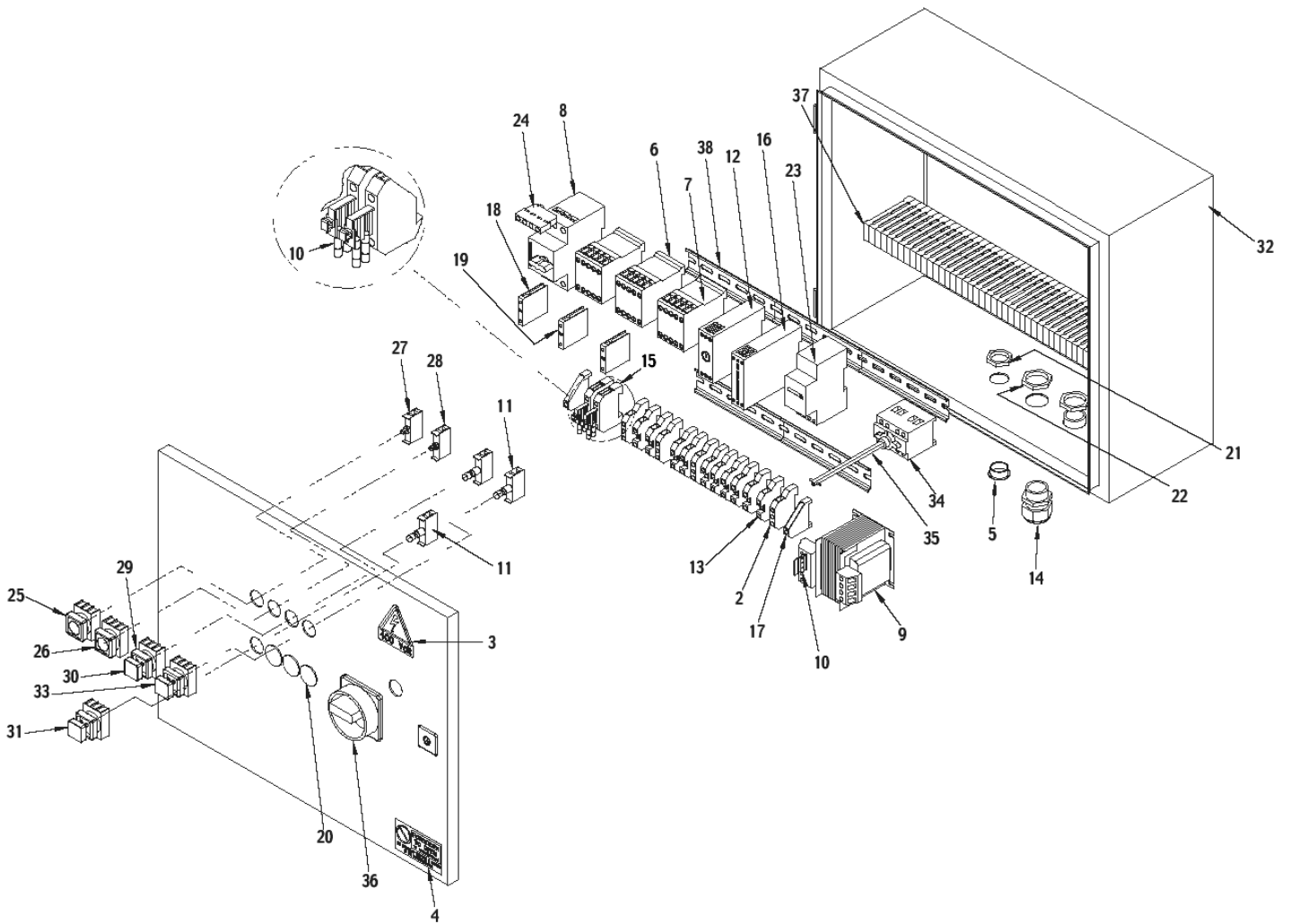
IV 075-110-150

24-01-2013

Part List ID

G209211

25



IV 110 - standard version - electric box

IV 075-110-150

24-01-2013

Part List ID

GZ09Z11

26

Pos	Part no.	Qty	Description
2	Z8 39121	4	TERMINAL EARTH 6MMQ S
3	32401167	1	DECAL. VOLTAGE PRESENCE DECAL. VOLTAGE
4	Z8 17689	1	LABEL FORBIDDEN TO OPEN 82X42
6	Z8 39100	1	CONTACTOR KW5.5 24VAC SIRIUS S0
7	Z8 391259	2	PLUG 16A 3P+T 400V IP67
8	Z8 391020	1	CIRCUIT BREAKER 17-22 A SIRIUS S0
9	Z8 391051	1	TRANSFORMER 63VA 400-230/24V FUSE AT SEC
10	32401193	5	GLASS FUSE 3.15 A GLASS FUSE 3.15 A
11	Z8 39114	3	LAMP BA9 V24
12	Z8 39119	1	TIMER S/T 0-60 SEC. 24-110-230V
13	Z8 39120	10	TERMINAL LINE 6MMQ S
14	Z8 39205	2	CABLE GLAND PG21 PA
15	Z8 39244	2	TERMINAL FUSEHOLDER 1.5mmq S 5X20
16	Z8 391120	1	RELAY PHASE SEQUENCE 180-600V
17	Z8 39296	2	TERMINAL STOP x GUIDE 35mm S
18	Z8 39366	1	CONTACT AUX CONTACTOR NO SIRIUS S2-S12
19	Z8 39367	2	CONTACT AUX CONTACTOR NC SIRIUS S2-S12
20	Z8 39522	3	PLUG BLIND CONTROL PLATE D22
21	Z8 39568	1	METAL RING NUT PG16
22	Z8 39569	2	METAL RING NUT PG21
23	Z8 39693	1	HOURS COUNTER TO GUIDE 24VAC
24	Z8 39726	1	AUX CONTACT CIRCUIT BREAKER SIRIUS S2-S3
25	32401221	1	PULSE. START PULSE. START
26	32401222	1	PULSE. STOP PULSE. STOP
27	32401224	1	CONTACT
28	32401225	1	CONTACT. NC CONTACT. NC
29	32401226	3	LAMP HOLDER P.C. LAMP HOLDER P.C.
30	32401227	1	LAMP. WHITE V24 P.C. LAMP. WHITE V24
31	32401228	1	LAMP. YELLOW V24 P.C. LAMP. YELLOW V24
32	32401232	1	STEEL BOX. 400X500X200 + STEEL BOX.
33	32401233	1	LAMP. RED V24 P.C. LAMP. RED V24 P.C.
34	32401238	1	SAFETY BOX LOCK SAFETY BOX LOCK
35	Z58 39450	1	MAIN SWITCH 3X32A ILM
36	Z58 39450	1	MAIN SWITCH 3X32A ILM
37	32401241	1	RACEWAY 25x80 RACEWAY 25x80
38	32401243	5	GUIDE. OMEGA GUIDE. OMEGA

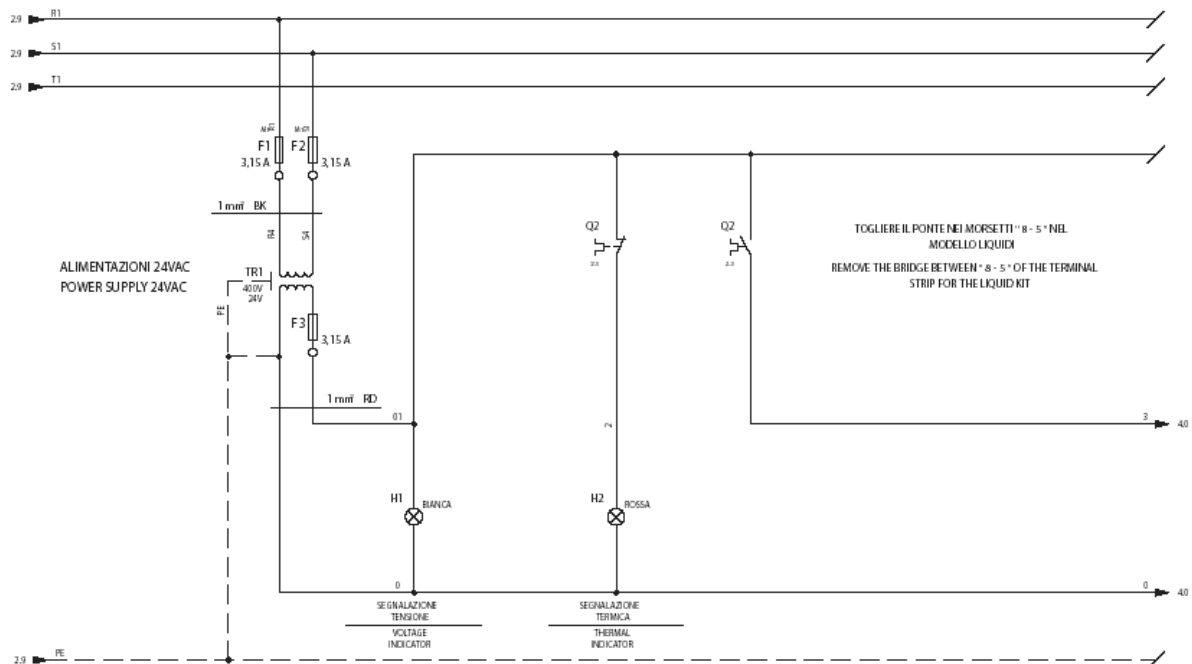
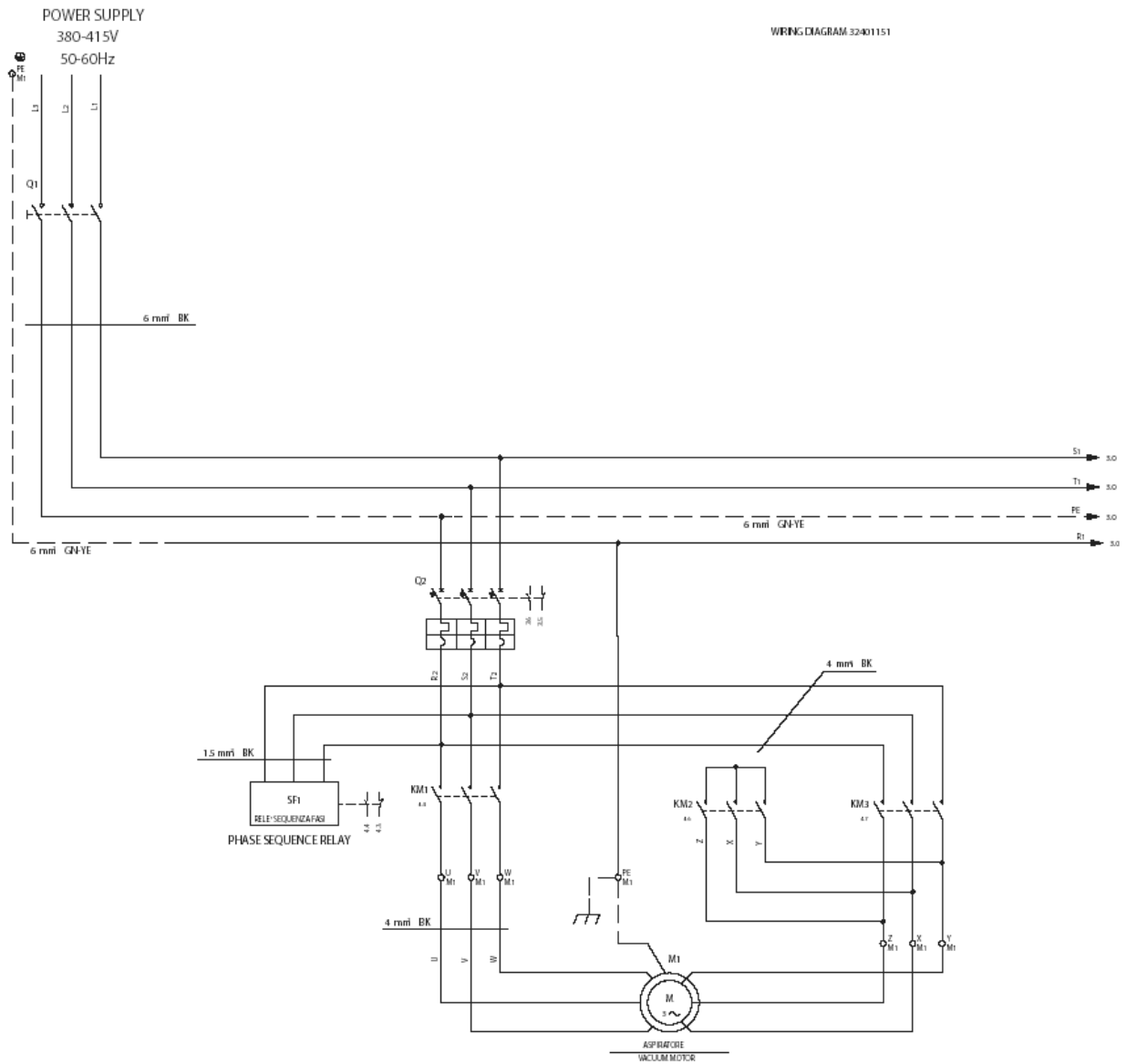
IV 110 - standard version - wiring diagram 1

IV 075-110-150

24-01-2013

Part List ID G209212

27



ALIMENTAZIONE

IV 110 - standard version - wiring diagram 1

IV 075-110-150

24-01-2013

Part List ID

GZ09Z12

28

IV 110 - standard version - wiring diagram 2

IV 075-110-150

24-01-2013

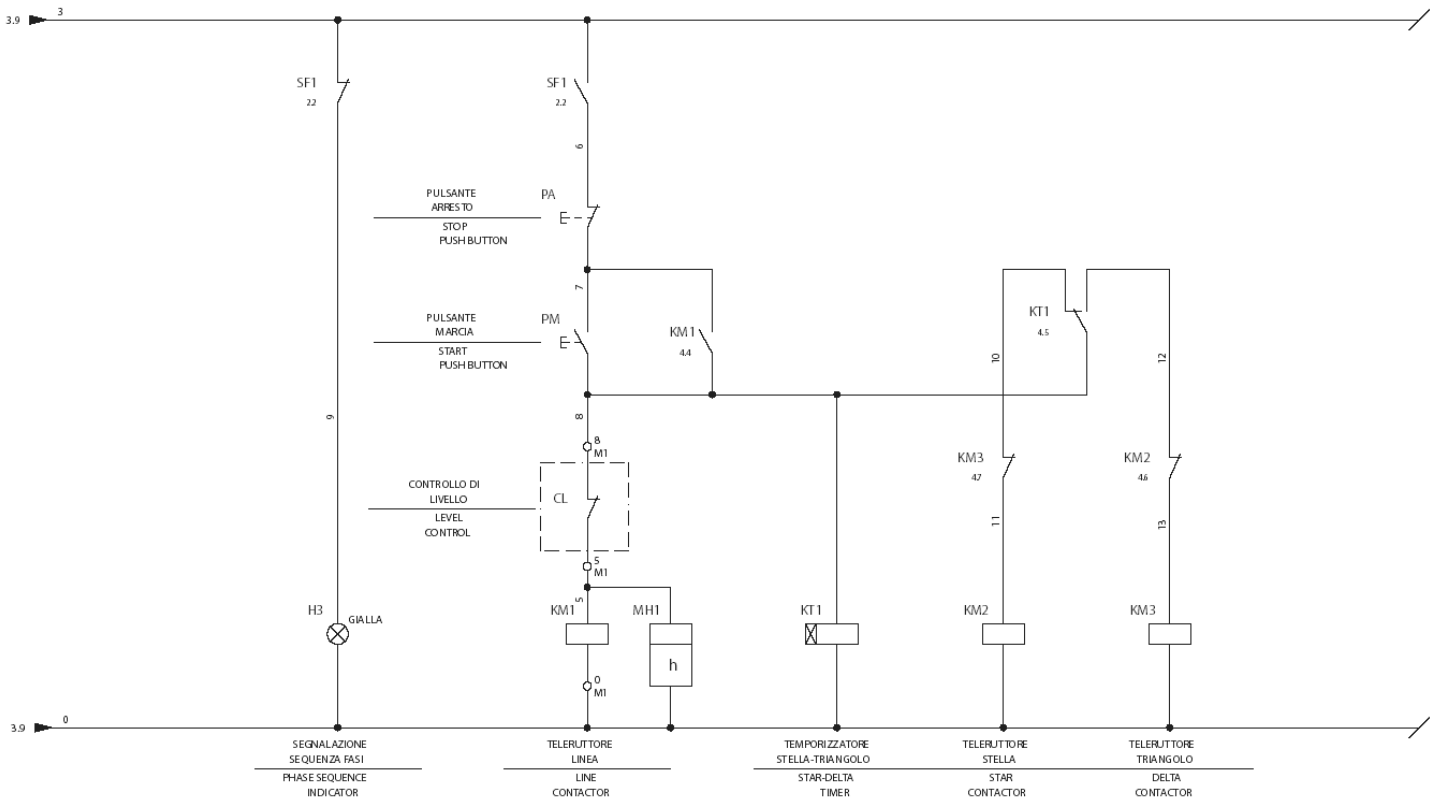
Part List ID

G209213

29

WIRING DIAGRAM 324011 51

DOVE NON E' SPECIFICATO CABLARE CON FILO ROSSO 1mm - WHERE NOT SPECIFIED USE RED CABLE 1 SQ MM



IV 110 - standard version - wiring diagram 2

IV 075-110-150

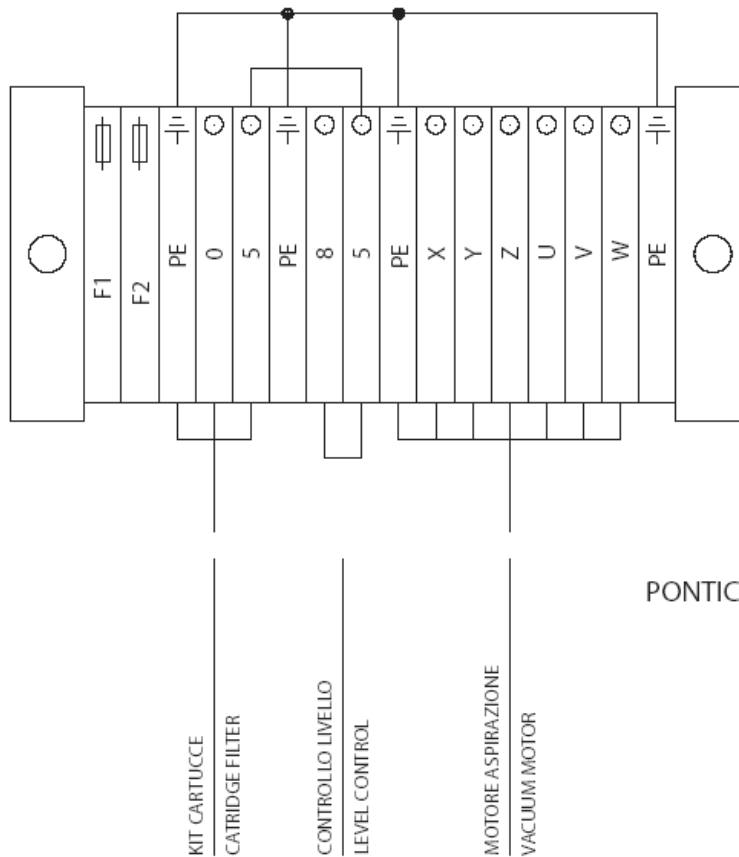
24-01-2013

Part List ID

G209213

30

QUADRO QG - MORSETTIERA M1



PONTICELLARE I MORSETTI " 8 - 5 " IN
FASE DI CABLAGGIO

N e/lte	Descrizi ne/Descripti n	Descrizi ne/Descripti n
H1	SPIA BIANCA	WHITE LAMP
H2	SPIA ROSSA	RED LAMP
H3	SPIA GIALLA	YELLOW LAMP
PA	PULSANTE	PUSH BUTTON
PM	PULSANTE	PUSH BUTTON
KM1	TELERUTTORE HP 5,5 24VAC 1NO	CONTACTOR HP 5,5 24VAC 1NO
KM2	TELERUTTORE HP 3 24VAC 1NC	CONTACTOR HP 3 24VAC 1NC
KM3	TELERUTTORE HP 5,5 24VAC 1NC	CONTACTOR HP 5,5 24VAC 1NC
Q2	SALVAMOTORE 11-16 A SALVAMOTORE 14-20 A SALVAMOTORE 23-32 A SALVAMOTORE 17-22 A	AUTOMATIC BREAKER 11-16 A AUTOMATIC BREAKER 14-20 A AUTOMATIC BREAKER 23-32 A AUTOMATIC BREAKER 17-22 A
KT1	CONTAORE A GUIDA	COUNTER HOURS
SF1	RELE' SEQUENZA FASI 400V	PHASE SEQUENCE RELAY 400V
TR1	TRASFORMATORE 63VA 400/24V	TRANSFORMER 63VA 400/24V
M1	MORSETTO TERRA 6 S MORSETTO LINEA 6 S	GROUND TERMINAL 6 S LINE TERMINAL 6 S
MH1	MORSETTO PORTAFUSIBILE 1,5 S	FUSE HOLDER TERMINAL 1,5 S

IV 110 - standard version - wiring diagram 3

IV 075-110-150

24-01-2013

Part List ID

GZ09Z14

32

IV 150 - standard version - electric box

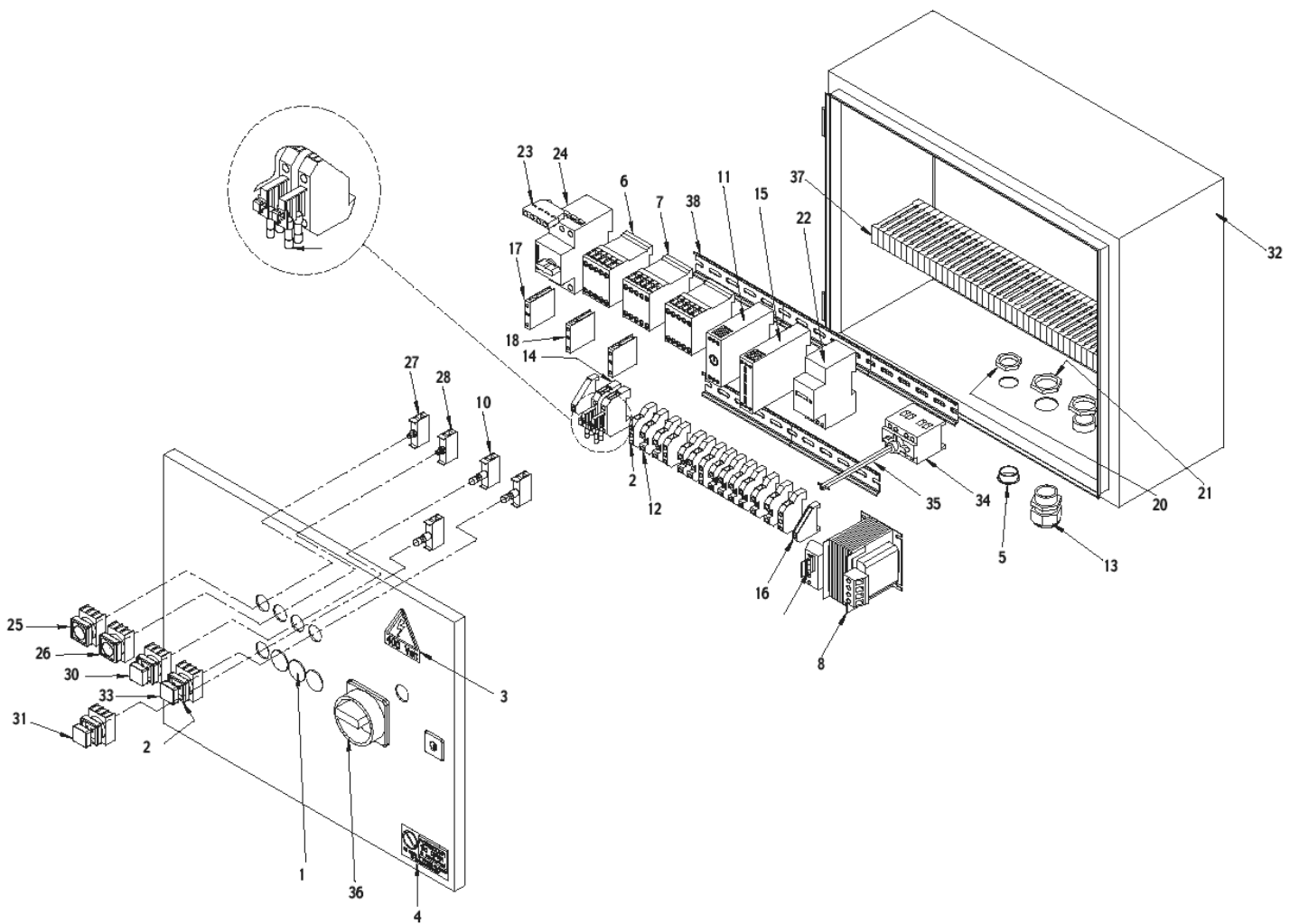
IV 075-110-150

24-01-2013

Part List ID

G209216

33



IV 150 - standard version - electric box

IV 075-110-150

24-01-2013

Part List ID

GZU9Z16

34

Pos	Part no.	Qty	Description
2	Z8 39121	4	TERMINAL EARTH 6MMQ S
3	32401167	1	DECAL. VOLTAGE PRESENCE DECAL. VOLTAGE
4	Z8 17689	1	LABEL FORBIDDEN TO OPEN 82X42
6	Z8 391259	2	PLUG 16A 3P+T 400V IP67
7	Z8 39102	1	CONTACTOR KW11 24VAC SIRIUS S0
8	Z8 391051	1	TRANSFORMER 63VA 400-230/24V FUSE AT SEC
9	32401193	5	GLASS FUSE 3.15 A GLASS FUSE 3.15 A
10	Z8 39114	3	LAMP BA9 V24
11	Z8 39119	1	TIMER S/T 0-60 SEC. 24-110-230V
12	Z8 39120	10	TERMINAL LINE 6MMQ S
13	Z8 39205	2	CABLE GLAND PG21 PA
14	Z8 39244	2	TERMINAL FUSEHOLDER 1.5mmq S 5X20
15	Z8 391120	1	RELAY PHASE SEQUENCE 180-600V
16	Z8 39296	2	TERMINAL STOP x GUIDE 35mm S
17	Z8 39366	1	CONTACT AUX CONTACTOR NO SIRIUS S2-S12
18	Z8 39367	2	CONTACT AUX CONTACTOR NC SIRIUS S2-S12
19	Z8 39522	3	PLUG BLIND CONTROL PLATE D22
20	Z8 39568	1	METAL RING NUT PG16
21	Z8 39569	2	METAL RING NUT PG21
22	Z8 39693	1	HOURS COUNTER TO GUIDE 24VAC
23	Z8 39726	1	AUX CONTACT CIRCUIT BREAKER SIRIUS S2-S3
24	Z8 39730	1	CIRCUIT BREAKER 22-32 A SIRIUS S2
25	32401221	1	PULSE. START PULSE. START
26	32401222	1	PULSE. STOP PULSE. STOP
27	32401224	1	CONTACT
28	32401225	1	CONTACT. NC CONTACT. NC
29	32401226	3	LAMP HOLDER P.C. LAMP HOLDER P.C.
30	32401227	1	LAMP. WHITE V24 P.C. LAMP. WHITE V24
31	32401228	1	LAMP. YELLOW V24 P.C. LAMP. YELLOW V24
32	32401232	1	STEEL BOX. 400X500X200 + STEEL BOX.
33	32401233	1	LAMP. RED V24 P.C. LAMP. RED V24 P.C.
34	32401238	1	SAFETY BOX LOCK SAFETY BOX LOCK
35	Z58 39450	1	MAIN SWITCH 3X32A ILM
36	Z58 39450	1	MAIN SWITCH 3X32A ILM
37	32401241	1	RACEWAY 25x80 RACEWAY 25x80
38	32401243	5	GUIDE. OMEGA GUIDE. OMEGA

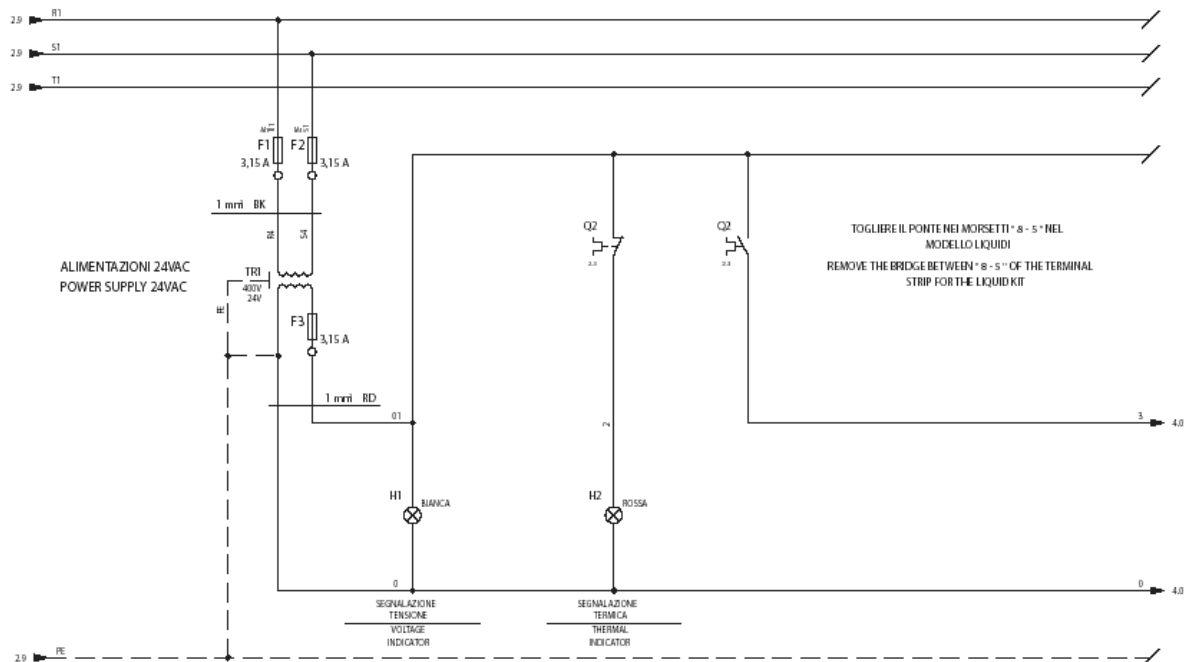
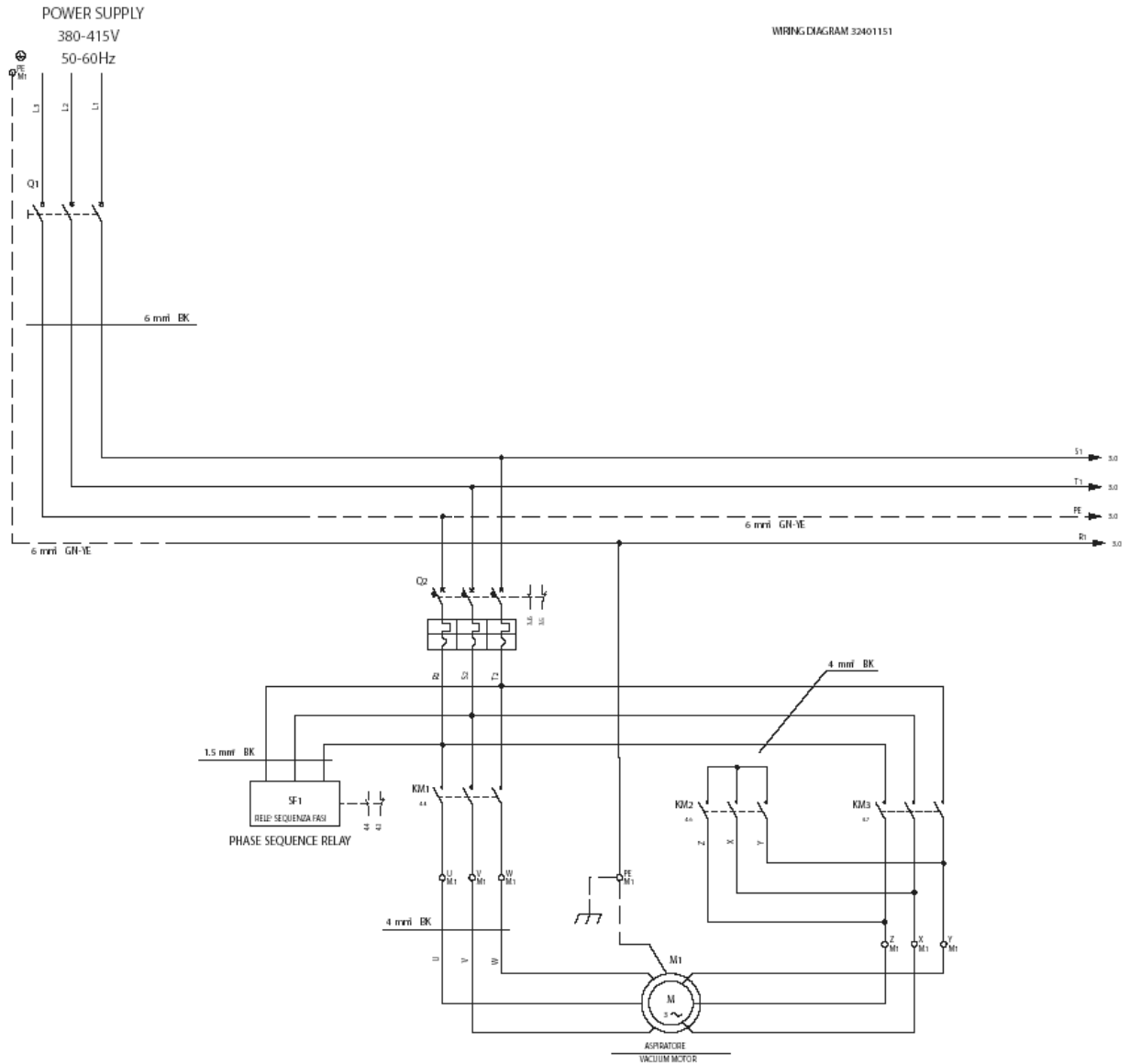
IV 150 - standard version - wiring diagram 1

IV 075-110-150

24-01-2013

Part List ID
G209217

35



ALIMENTAZIONE

IV 150 - standard version - wiring diagram 1

IV 075-110-150

24-01-2013

Part List ID

G209217

36

IV 150 - standard version - wiring diagram 2

IV 075-110-150

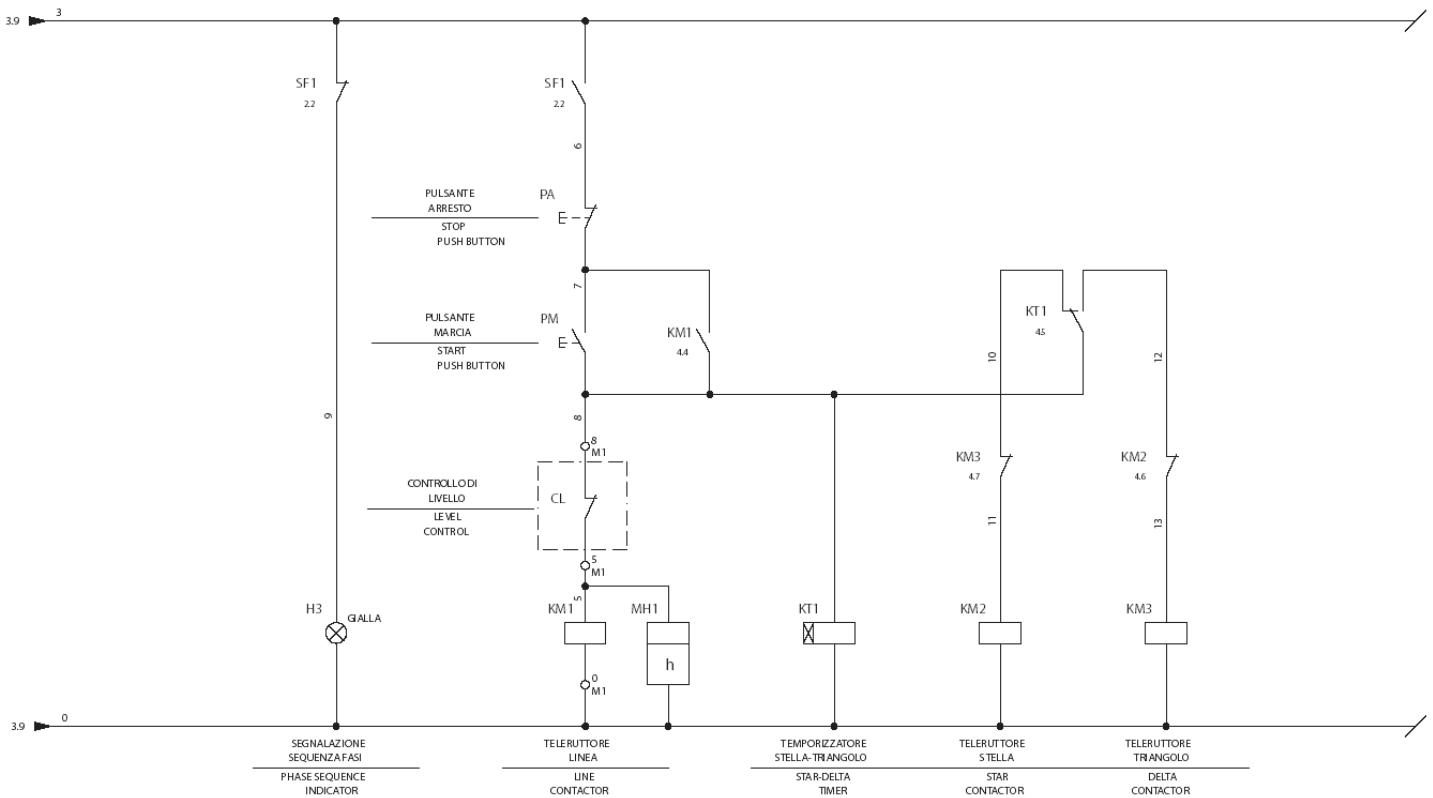
24-01-2013

Part List ID G209218

37

WIRING DIAGRAM 02403 151

DOVE NON E' SPECIFICATO CABLARE CON FILO ROSSO 1mm - WHERE NOT SPECIFIED USE RED CABLE 1 SQ MM



IV 150 - standard version - wiring diagram 2

IV 075-110-150

24-01-2013

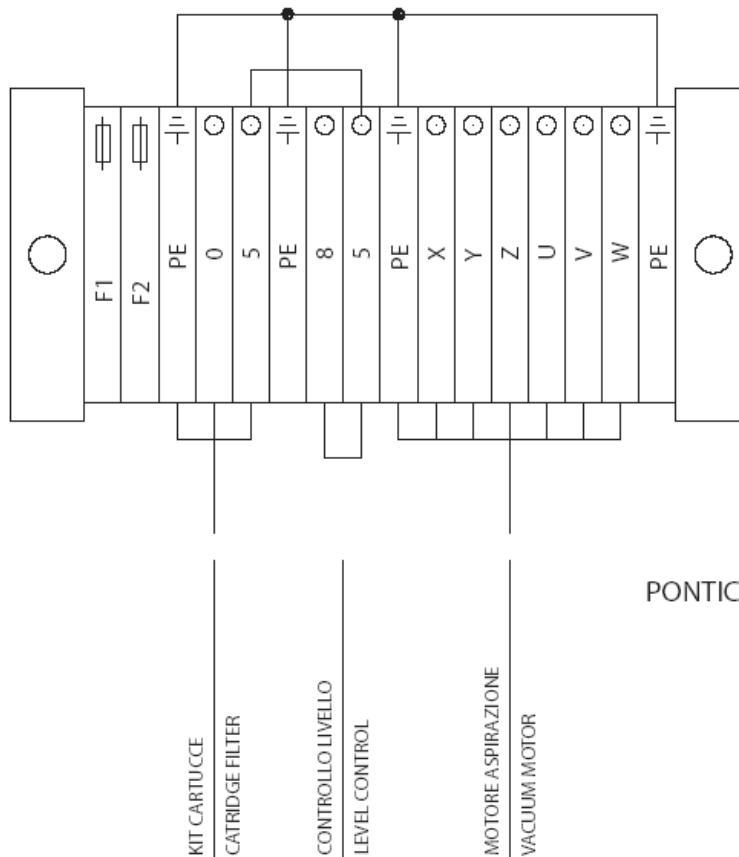
Part List ID

GZ09Z18

38

WIRING DIAGRAM 32401151

QUADRO QG - MORSETTIERA M1



PONTICELLARE I MORSETTI " 8 - 5 " IN
FASE DI CABLAGGIO

N e/te	Descrizi ne/Descripti n	Descrizi ne/Descripti n
H1	SPIA BIANCA	WHITE LAMP
H2	SPIA ROSSA	RED LAMP
H3	SPIA GIALLA	YELLOW LAMP
PA	PULSANTE	PUSH BUTTON
PM	PULSANTE	PUSH BUTTON
KM1	TELERUTTORE HP 5,5 24VAC 1NO	CONTACTOR HP 5,5 24VAC 1NO
KM2	TELERUTTORE HP 3 24VAC 1NC	CONTACTOR HP 3 24VAC 1NC
KM3	TELERUTTORE HP 5,5 24VAC 1NC	CONTACTOR HP 5,5 24VAC 1NC
Q2	SALVAMOTORE 11-16 A SALVAMOTORE 14-20 A SALVAMOTORE 23-32 A SALVAMOTORE 17-22 A	AUTOMATIC BREAKER 11-16 A AUTOMATIC BREAKER 14-20 A AUTOMATIC BREAKER 23-32 A AUTOMATIC BREAKER 17-22 A
KT1	CONTAORE A GUIDA	COUNTER HOURS
SF1	RELE' SEQUENZA FASI 400V	PHASE SEQUENCE RELAY 400V
TR1	TRASFORMATORE 63VA 400/24V	TRANSFORMER 63VA 400/24V
M1	MORSETTO TERRA 6 S MORSETTO LINEA 6 S	GROUND TERMINAL 6 S LINE TERMINAL 6 S
MH1	MORSETTO PORTAFUSIBILE 1,5 S	FUSE HOLDER TERMINAL 1,5 S

IV 150 - standard version - wiring diagram 3

IV 075-110-150

24-01-2013

Part List ID

G209219

40

IV 150 - filter shaker version - electric box

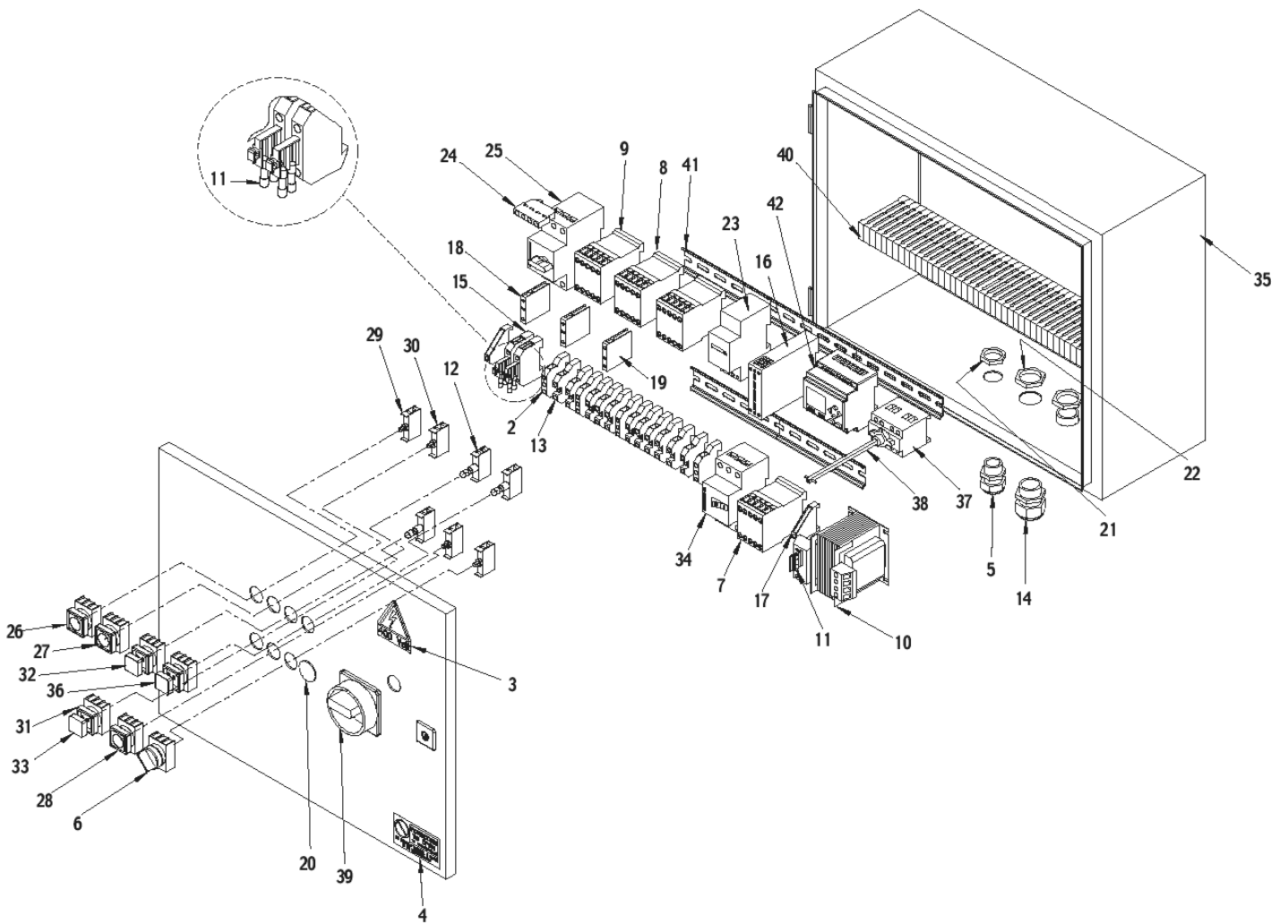
IV 075-110-150

24-01-2013

Part List ID

G209221

41



IV 150 - filter shaker version - electric box

IV 075-110-150

24-01-2013

Part List ID

G209Z21

42

Pos	Part no.	Qty	Description
2	Z8 39121	4	TERMINAL EARTH 6MMQ S
3	32401167	1	DECAL. VOLTAGE PRESENCE DECAL. VOLTAGE
4	Z8 17689	1	LABEL FORBIDDEN TO OPEN 82X42
5	Z8 39055	1	CABLE GLAND PG16 PA
6	32401175	1	SELECTOR SWITCHER SELECTOR SWITCHER
7	Z8 391006	1	CONTACTOR KW3 24VAC 1NC SIRIUS S00
8	Z8 391259	1	PLUG 16A 3P+T 400V IP67
9	Z8 39102	2	CONTACTOR KW11 24VAC SIRIUS S0
10	Z8 391051	1	TRANSFORMER 63VA 400-230/24V FUSE AT SEC
11	32401193	5	GLASS FUSE 3.15 A GLASS FUSE 3.15 A
12	Z8 39114	3	LAMP BA9 V24
13	Z8 39120	11	TERMINAL LINE 6MMQ S
14	Z8 39205	2	CABLE GLAND PG21 PA
15	Z8 39244	2	TERMINAL FUSEHOLDER 1.5mmq S 5X20
16	Z8 391120	1	RELAY PHASE SEQUENCE 180-600V
17	Z8 39296	2	TERMINAL STOP x GUIDE 35mm S
18	Z8 39366	1	CONTACT AUX CONTACTOR NO SIRIUS S2-S12
19	Z8 39367	2	CONTACT AUX CONTACTOR NC SIRIUS S2-S12
20	Z8 39522	1	PLUG BLIND CONTROL PLATE D22
21	Z8 39568	1	METAL RING NUT PG16
22	Z8 39569	2	METAL RING NUT PG21
23	Z8 39693	1	HOURS COUNTER TO GUIDE 24VAC
24	Z8 39726	1	AUX CONTACT CIRCUIT BREAKER SIRIUS S2-S3
25	Z8 39730	1	CIRCUIT BREAKER 22-32 A SIRIUS S2
26	32401221	1	PULSE. START PULSE. START
27	32401222	1	PULSE. STOP PULSE. STOP
28	32401223	1	PULSE. ELECTRIC SHACKER PULSE. ELECTRIC
29	32401224	3	CONTACT
30	32401225	1	CONTACT. NC CONTACT. NC
31	32401226	3	LAMP HOLDER P.C. LAMP HOLDER P.C.
32	32401227	1	LAMP. WHITE V24 P.C. LAMP. WHITE V24
33	32401228	1	LAMP. YELLOW V24 P.C. LAMP. YELLOW V24
34	Z8 39746	1	CIRCUIT BREAKER 0,7-1 A S00 SIRIUS S00
35	32401232	1	STEEL BOX 400X500X200 + STEEL BOX
36	32401233	1	LAMP. RED V24 P.C. LAMP. RED V24 P.C.
37	32401238	1	SAFETY BOX LOCK SAFETY BOX LOCK
38	Z58 39450	1	MAIN SWITCH 3X32A ILM
39	Z58 39450	1	MAIN SWITCH 3X32A ILM
40	32401241	1	RACEWAY 25x80 RACEWAY 25x80
41	32401243	5	GUIDE. OMEGA GUIDE. OMEGA
42	Z58 39607	1	CONTROLLER LOGO 24RC 24VAC/DC 8IN/4OUT

IV 150 - filter shaker version - wiring diagram

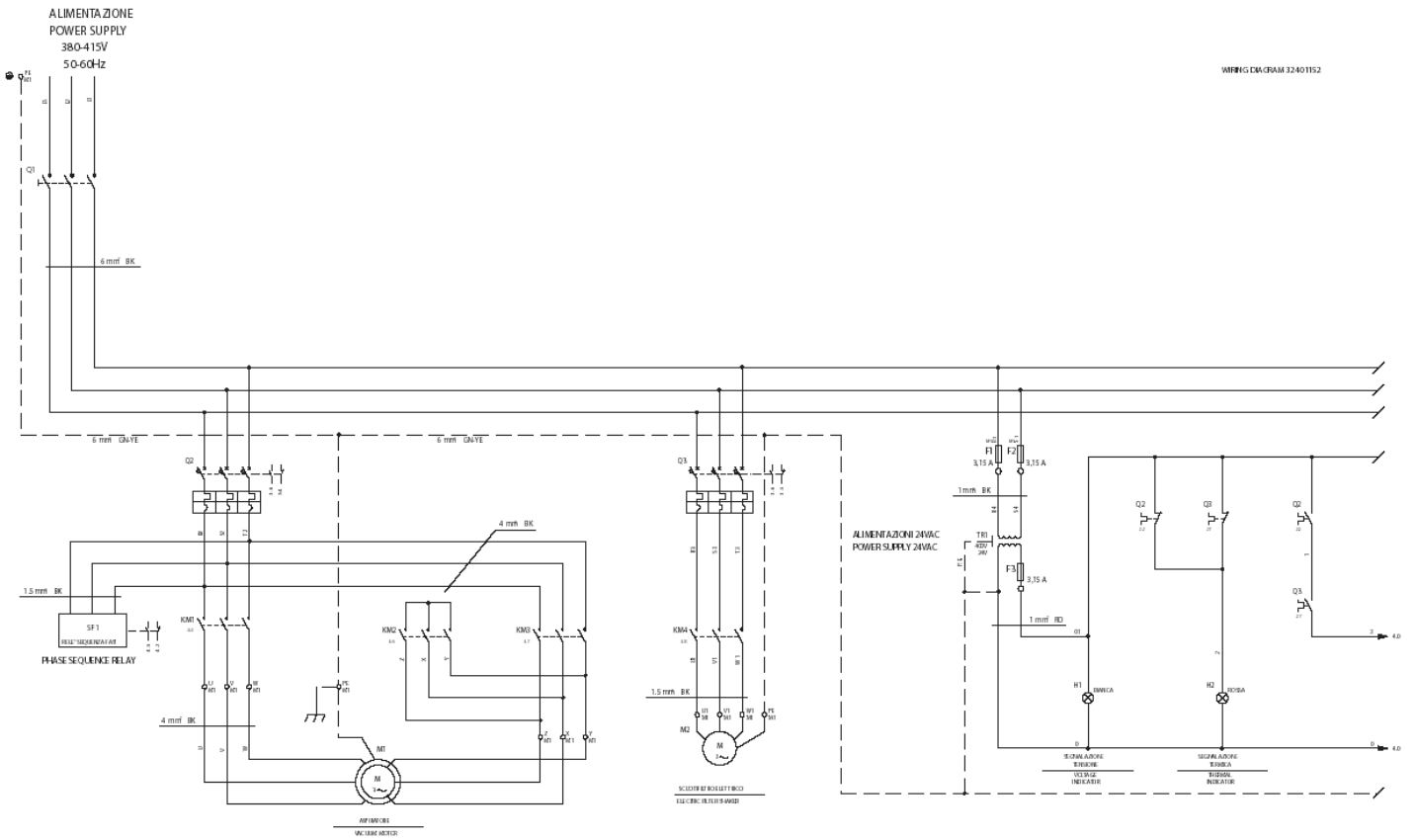
IV 075-110-150

24-01-2013

Part List ID

G209222

43



IV 150 - filter shaker version - wiring diagram

IV 075-110-150

24-01-2013

Part List ID

G209Z22

44

IV 150 - filter shaker version - wiring diagram

IV 075-110-150

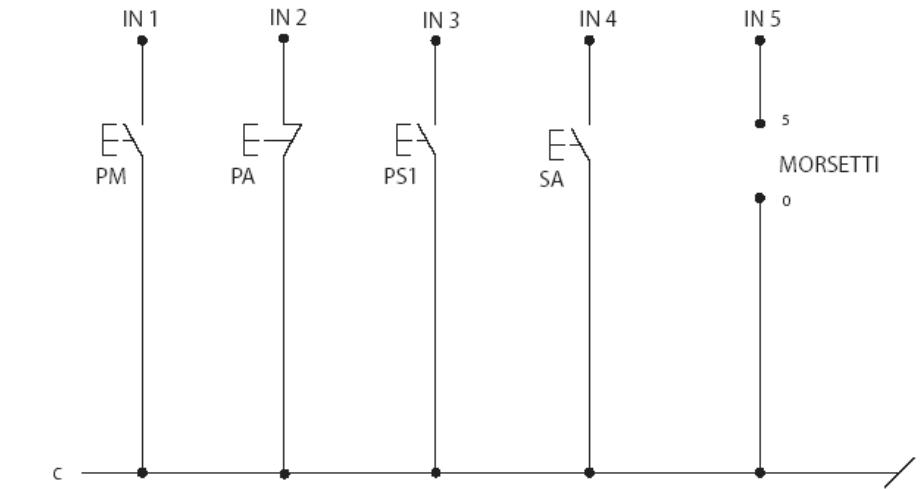
24-01-2013

Part List ID
G209223

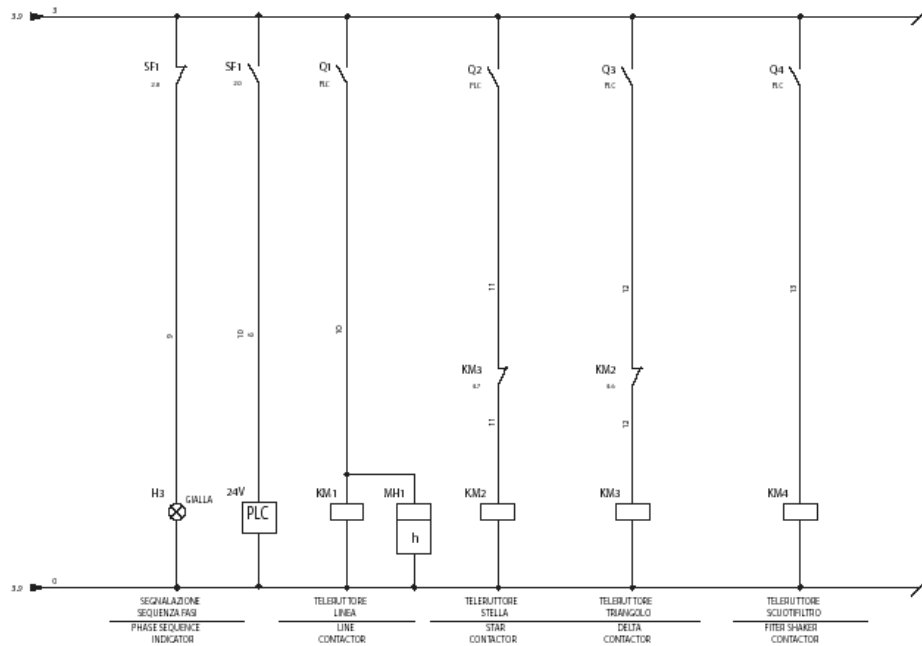
45

WIRING DIAGRAM 32401152

INGRESSI PLC

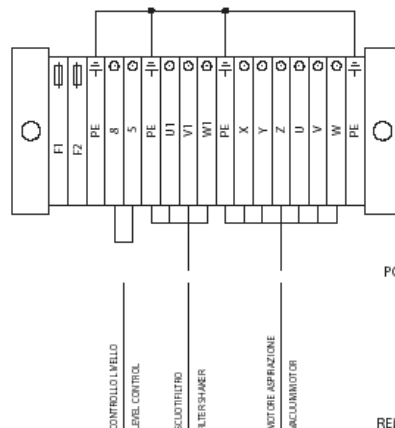


DOVE NON E' SPECIFICATO CABLARE CON FILO ROSSO 1mmq



QUADRO QG - MORSETTIERA M1

N me/Item	Descrizi ne/Descripti n	Descrizi ne/Descripti n
H1	SPIA BIANCA	WHITE LAMP
H2	SPIA ROSSA	RED LAMP
H3	SPIA GIALLA	YELLOW LAMP
PR	PULSANTE	PUSH BUTTON
PM	PULSANTE	PUSH BUTTON
KM1	TELERUTTORE HP S.S. 24VAC 11C	CONTACTOR HP S.S. 24VAC 11C
KM2	TELERUTTORE HP S.S. 24VAC 11C	CONTACTOR HP S.S. 24VAC 11C
KM3	TELERUTTORE HP S.S. 24VAC 11C	CONTACTOR HP S.S. 24VAC 11C
KM4	TELERUTTORE HP S.S. 24VAC 11C	CONTACTOR HP S.S. 24VAC 11C
Q1	SADAMOTORE TT-16 A	AUTOMATIC BREAKER TT-16A
KT1	CONTORE A GIADA	COUNTER HOURS
SF1	RELE' SEQUENZA FASI 400V	PHASE SEQUENCE RELAY 400V
TR1	TRASFORMATORE 63VA 400/24V	TRANSFORMER 63VA 400/24V
M1	MORSETTO TERRA 6mmq 5	GROUND TERMINAL 6mmq 5
M2	MORSETTO LINEA 6mmq 5	LINE TERMINAL 6mmq 5
MH1	MORSETTO PORTAFUSIBILE 1,5mmq 5	FUSE HOLDER TERMINAL 1,5mmq 5



PONTICELLARE I MORSETTI * 8 - 5 * IN FASE DI CABLAGGIO

TOGLIERE IL PONTE NEI MORSETTI * 8 - 5 * NEL MODELLO LIQUIDI
 REMOVE THE BRIDGE BETWEEN * 8 - 5 * OF THE TERMINAL STRIP FOR THE LIQUID KIT

IV 150 - filter shaker version - wiring diagram

IV 075-110-150

24-01-2013

Part List ID

G209Z23

46

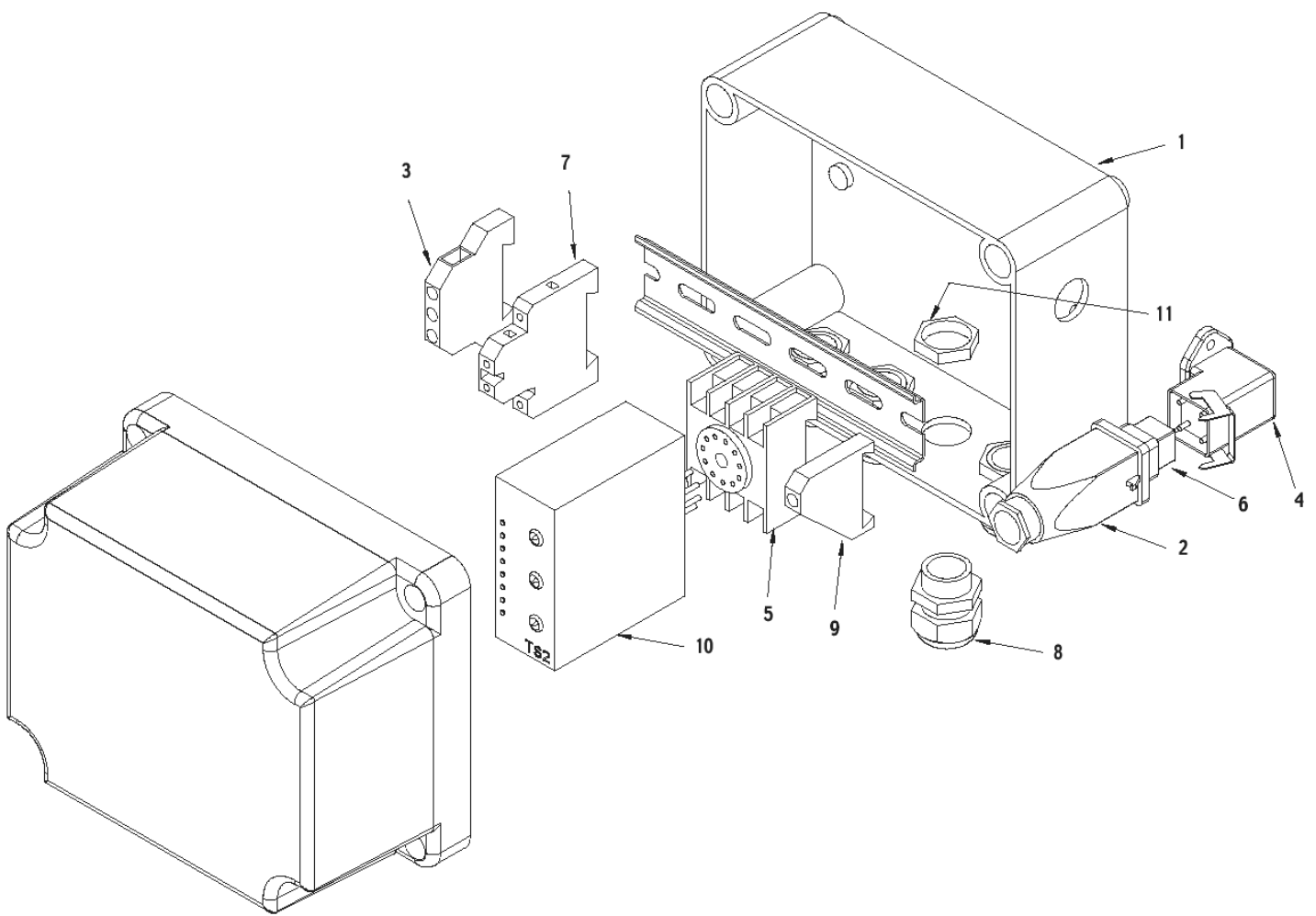
Cartridge - electric box

IV 075-110-150

24-01-2013

Part List ID
G209225

47



Cartridge - electric box

IV 075-110-150

24-01-2013

Part List ID

GZ09Z25

48

Pos	Part no.	Qty	Description
1	Z8 41039	1	E.B. KIT CART. D3-460 24VAC IP55
2	Z8 39098	1	INT.REG.SUPPORT
3	Z8 39121	1	TERMINAL EARTH 6MMQ S
4	Z8 39186	1	FIX CASE x 3-4P+E GW BENT 90 PLASTIC IP6
5	Z8 39237	1	BASE x TIMER 11 PIN PF
6	Z8 39345	1	OUTLET INSERT 3P+E GW PLASTIC
7	Z8 39554	1	TERMINAL DOUBLE CONTACT 4MMQ DK4QV/35
8	Z8 39208	4	CABLE GLAND PG11 PA
9	Z8 39296	1	TERMINAL STOP x GUIDE 35mm S
10	Z8 391107	1	CYCLIC TIMER 24VAC 4OUT
11	Z8 39567	4	METAL RING NUT PG11

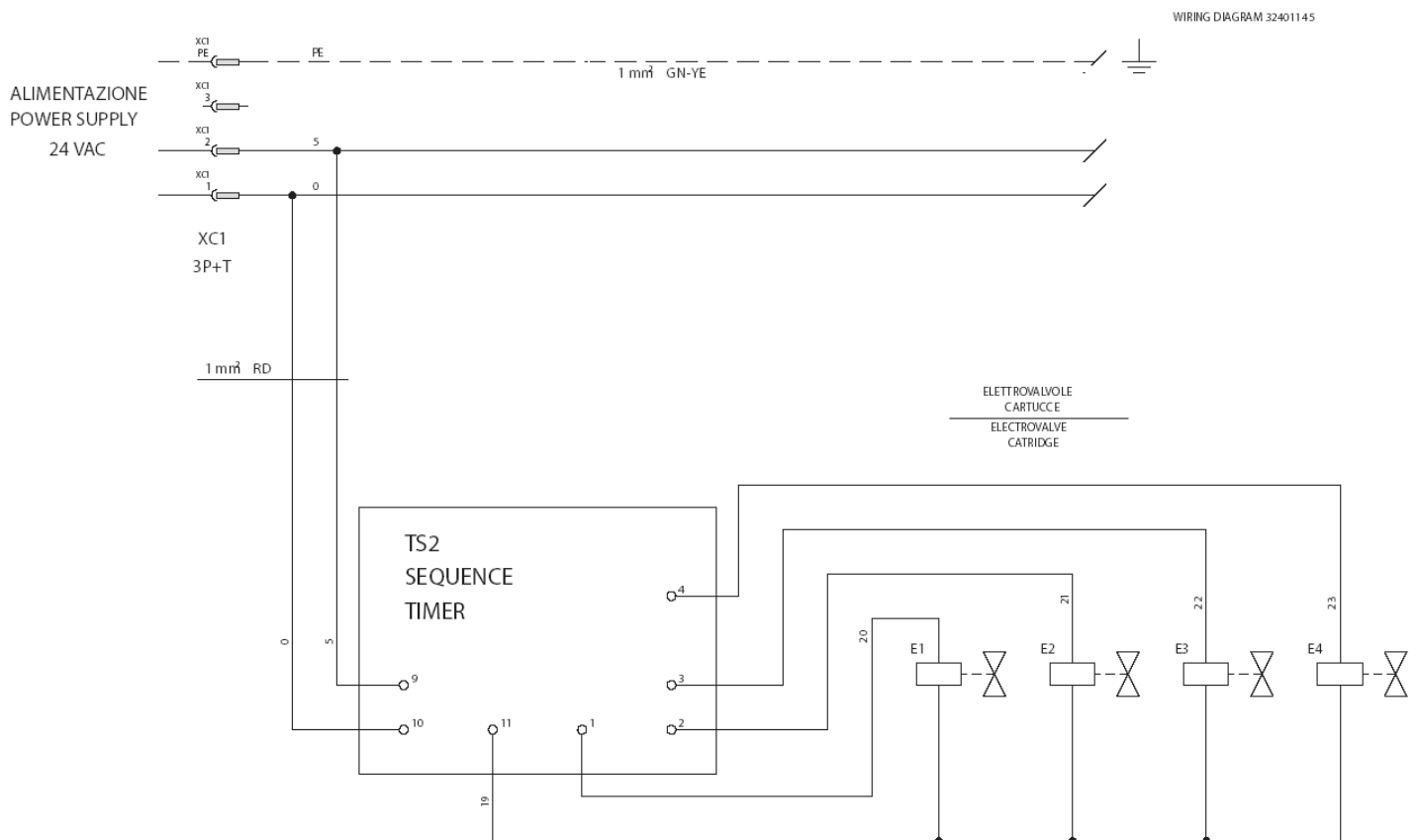
Cartridge - wiring diagram

IV 075-110-150

24-01-2013

Part List ID
G209226

49



Cartridge - wiring diagram

IV 075-110-150

24-01-2013

Part List ID

G209Z26

50

Filters and Top Container IV 075- IV 110- IV 15

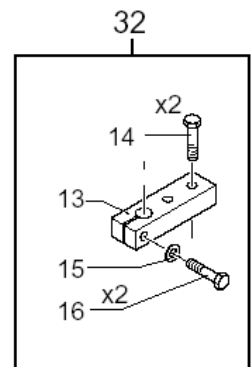
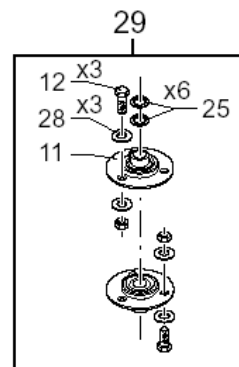
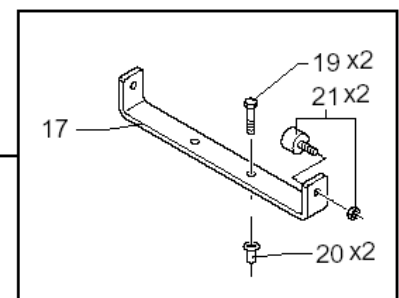
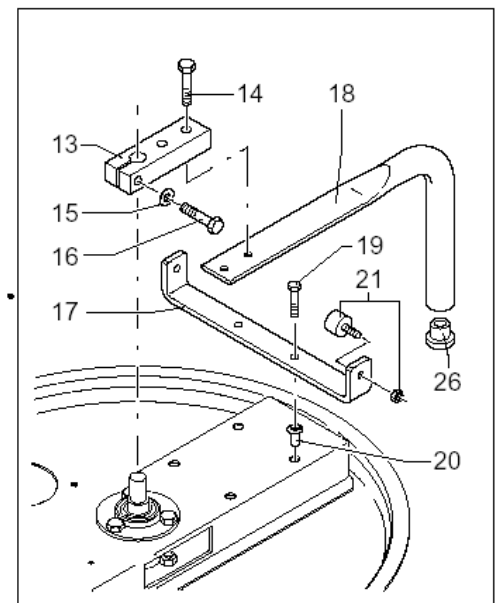
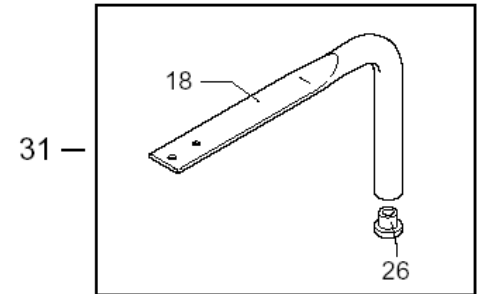
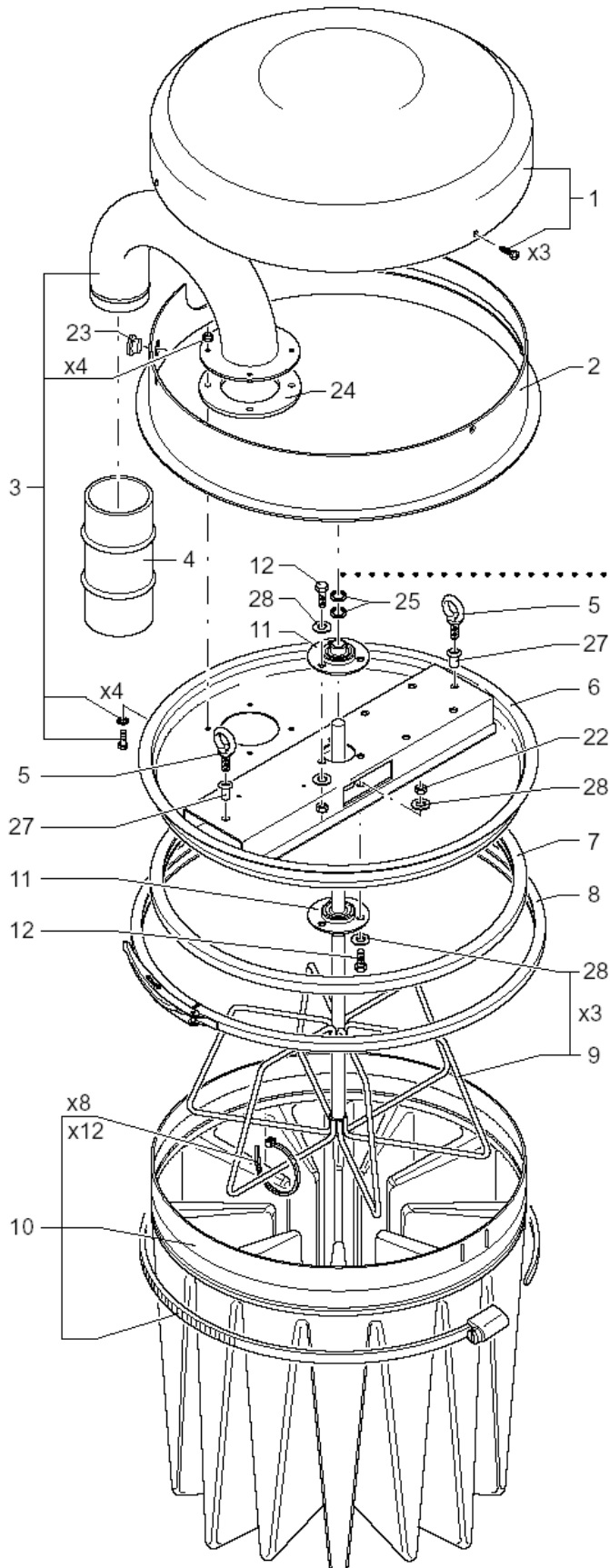
IV 075-110-150

24-01-2013

Part List ID

G209311

51



Filters and Top Container IV 075- IV 110- IV 150

IV 075-110-150

24-01-2013

Part List ID

GZ09311

52

Pos	Part no.	Qty	Description
1	32400892	1	CAP.KIT D.560
2	32400431	1	COLLAR. FOR CHAMBER
3	32400893	1	CONNECTION .BENT COMPLETE
4	32400894	1	SLEEVE.CONNECTION KIT IV055/075/110/150
5	145 5998 000	2	EYEBOLT M10 UNI2947
6	32400434	1	FILTER CARRIER.D.560
7	32400336	1	GASKET.FOR RING KIT D.460
8	32400895	1	CLAMPING BAND.KIT D.560
9	32400896	1	CAGE.FILTER KIT IV055/075 IV110
9	32400897	1	CAGE.FILTER KIT IV150
10	32400898	1	FILTER.POLYESTER KIT IV055/075/110
10	32400899	1	FILTER.PTFE KIT IV055/075 /110
10	32400900	1	FILTER.ANTISTATIC KIT IV055/075/110
10	32400901	1	FILTER.ANTISTATIC PTFE KIT IV055/075/110
10	32400902	1	FILTER.NOMEX KIT IV055 /075/110
10	32400903	1	FILTER.CLASS M KIT IV055/ 075/110
10	32400904	1	FILTER.POLYESTER KIT IV150
10	32400905	1	FILTER.PTFE KIT IV150
10	32400906	1	FILTER.ANTISTATIC KIT IV150
10	32400907	1	FILTER.ANTISTATIC PTFE KIT IV150
10	32400908	1	FILTER.NOMEX KIT IV150
10	32400909	1	FILTER.CLASS M KIT IV150
11	32400910	2	BEARING HOUSING.KIT V055 075/110/150
29	32401012	1	LEVER.FILTER SHAKER IV055/075/110/150
30	32401013	1	PLATE STOP. KIT COMPL. IV055/075/110/150
31	32401014	1	HANDLE.FILTER SHAKER IV055/075/110/150
32	32401015	1	LEVER.X MOVING KIT COMPL.

Vacuum pump system IV 075- IV 110

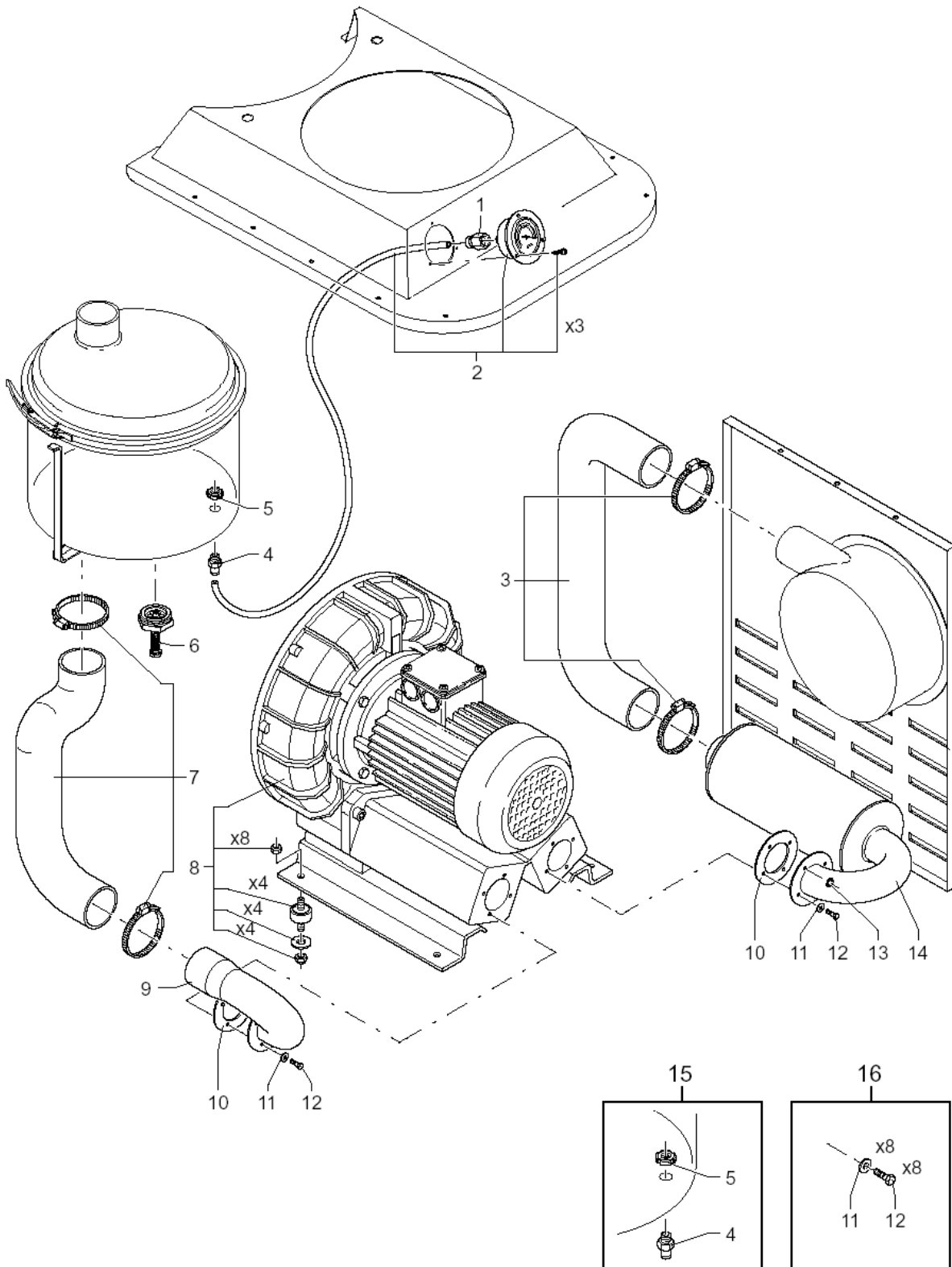
IV 075-110-150

24-01-2013

Part List ID

G209313

53



Vacuum pump system IV 075- IV 110

IV 075-110-150

24-01-2013

Part List ID

GZ09313

54

Pos	Part no.	Qty	Description
2	32400335	1	VACUUM GAUGE.KIT IV040 IV075/110
3	32400912	1	HOSE.BLOWING KIT IV055 /075/110/150
6	32400913	1	VALVE.SAFETY COMPLETE IV055
7	32400914	1	HOSE.FOR SUCTION KIT IV055
8	32400919	1	PUMP.KIT 7.5 KW
8	32400920	1	PUMP.KIT 11 KW
9	32400726	1	PIPE FITTING.FOR SUCTION
10	Z8 17546	2	SEAL HP10 RIETSCHLE
14	32400479	1	SILENCER.D170
15	32400789	1	ELBOW.1/8 D.6 COMPLETE
16	32401016	1	SCREW M6X16 WITH WASHER SILENCER

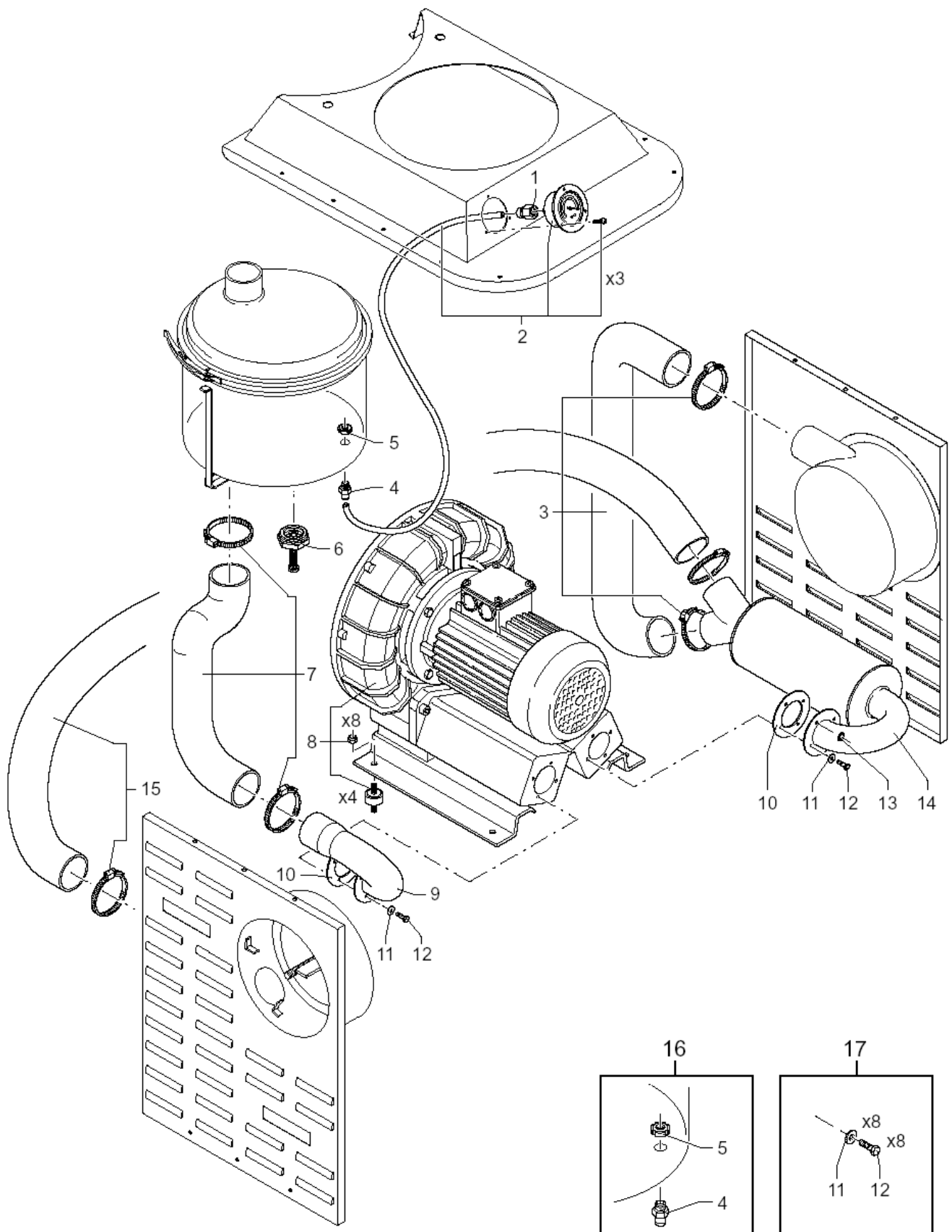
Vacuum pump system IV 150

IV 075-110-150

24-01-2013

Part List ID
G209315

55



Vacuum pump system IV 150

IV 075-110-150

24-01-2013

Part List ID
GZ09315

56

Pos	Part no.	Qty	Description
2	32400334	1	VACUUM GAUGE.KIT IV022 IV150
3	32400912	1	HOSE.BLOWING KIT IV055 /075/110/150
6	32400913	1	VALVE.SAFETY COMPLETE IV055
7	32400914	1	HOSE.FOR SUCTION KIT IV055
8	32400925	1	PUMP.KIT 15 KW
9	32400726	1	PIPE FITTING.FOR SUCTION
14	32400485	1	SILENCER.D170
15	32400926	1	HOSE.BLOWING KIT IV150
16	32400789	1	ELBOW.1/8 D.6 COMPLETE
17	32400873	1	SCREW.M8X20 WITH WASHER SILENCER

Standard electric components IV 075- IV 110- IV

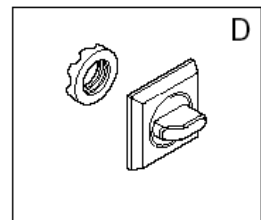
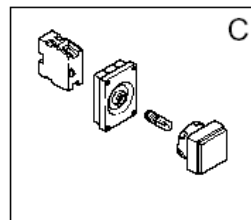
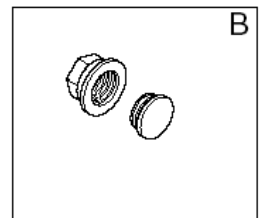
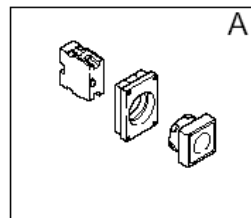
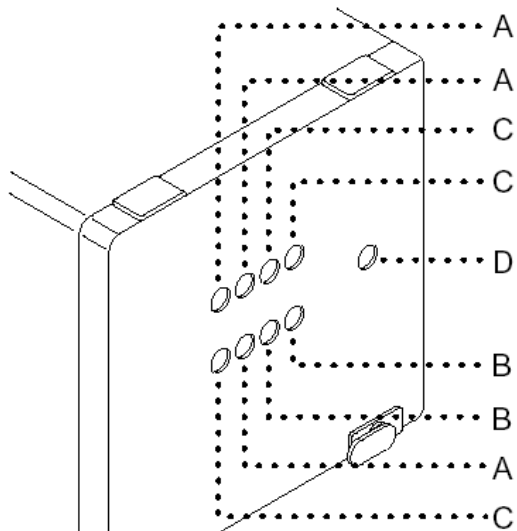
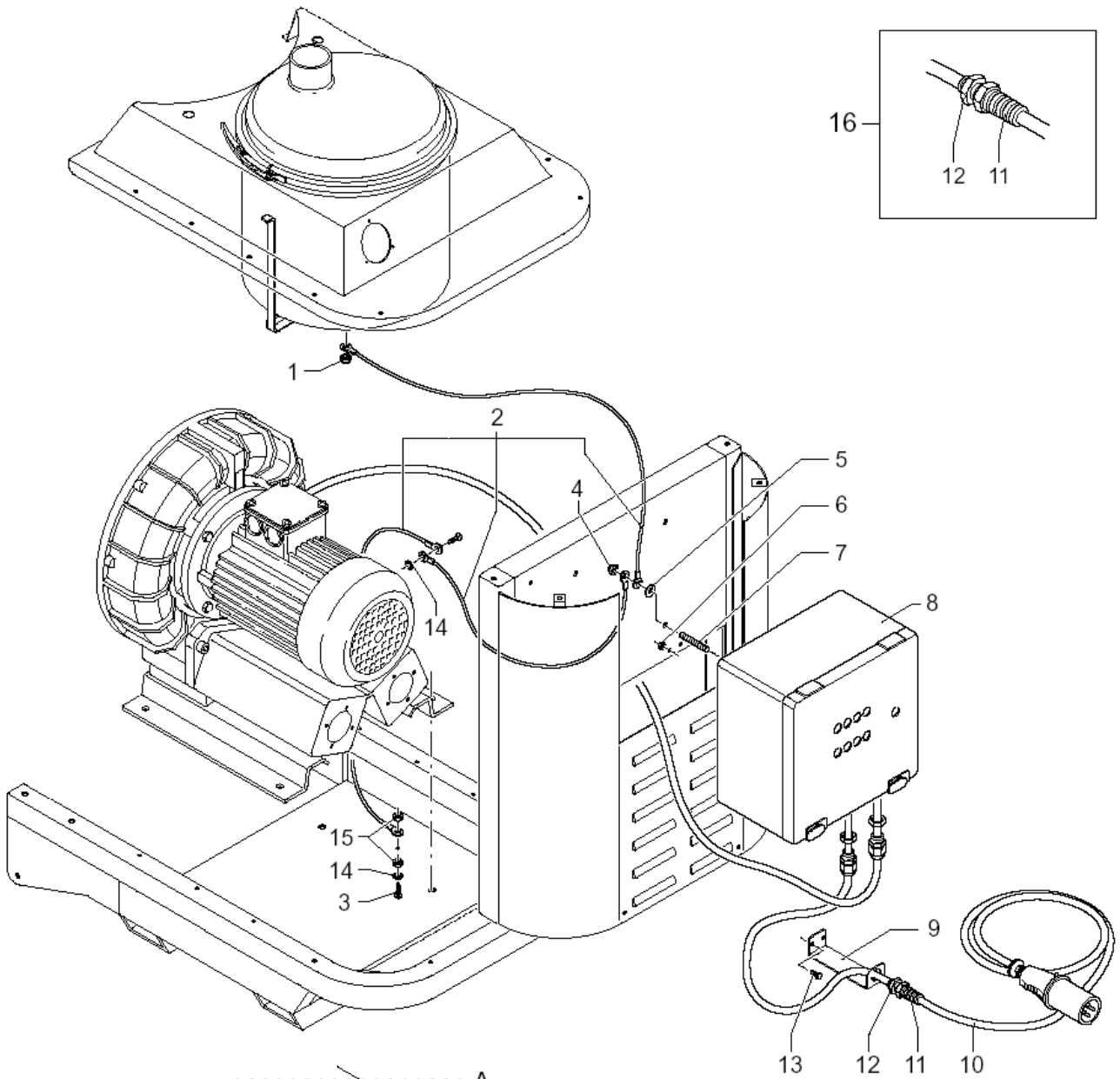
IV 075-110-150

24-01-2013

Part List ID

G209317

57



Standard electric components IV 075- IV 110- I

IV 075-110-150

24-01-2013

Part List ID

GZ09317

58

Pos	Part no.	Qty	Description
2	32400457	1	CABLES.GROUND KIT
8	32400928	1	PANEL.ELECTRONIC IV075
8	32400929	1	PANEL.ELECTRONIC IV110
8	32400930	1	PANEL.ELECTRONIC IV150
9	32400398	1	SUPPORT.FOR CABLE GLAND
10	32400931	1	CABLE.POWER SUPPLY KIT PLUG 32A
10	32400932	1	CABLE.POWER SUPPLY KIT PLUG 32A IV150
16	32401018	1	CABLE GLAND.COMPOSITE IV055/075/110/150

Electrical filter shaker IV 075- IV 110- IV 150

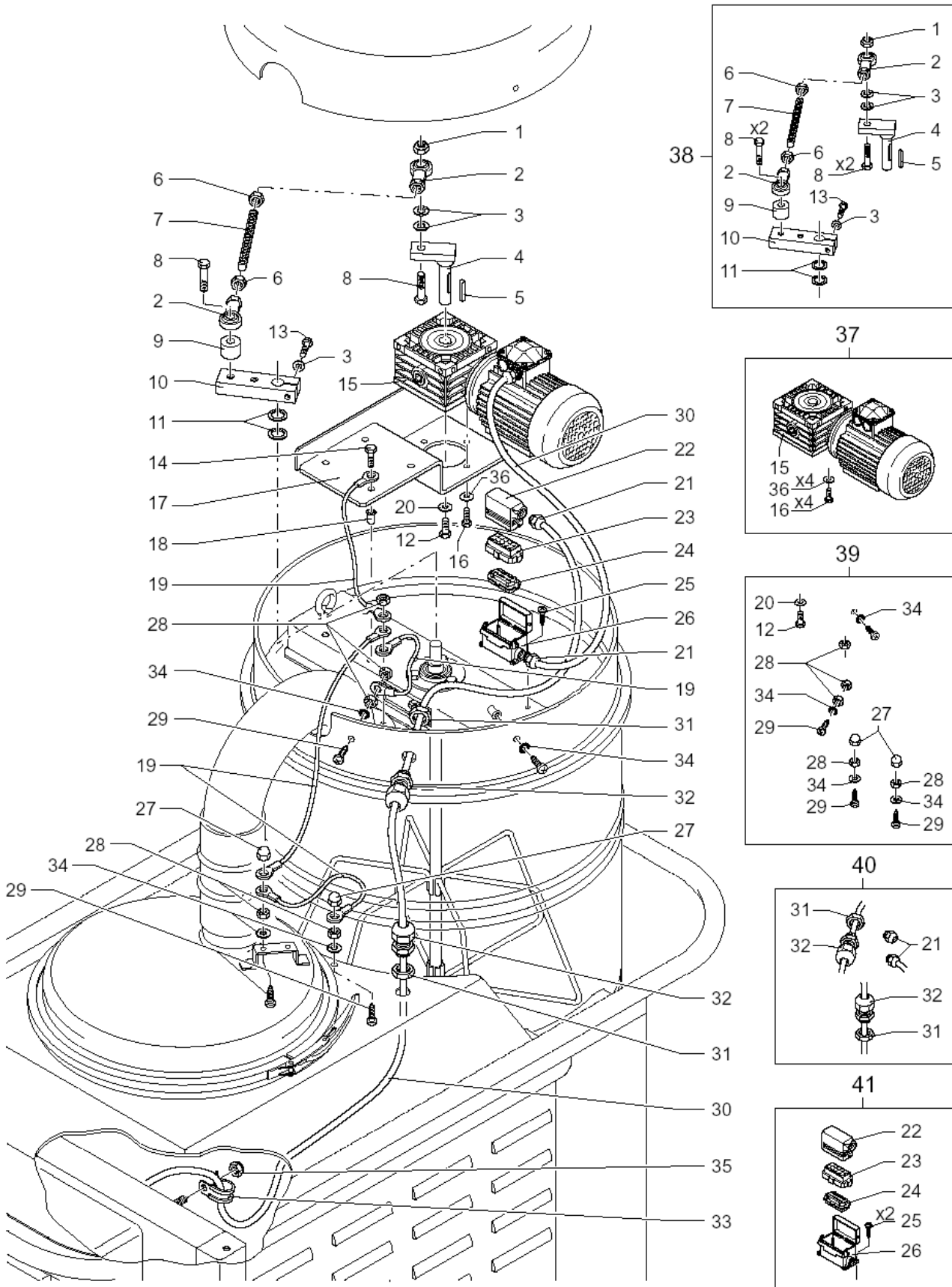
IV 075-110-150

24-01-2013

Part List ID

G209319

59



Electrical filter shaker IV 075- IV 110- IV 150

IV 075-110-150

24-01-2013

Part List ID

GZ09319

60

Pos	Part no.	Qty	Description
15	Z8 56112	1	REDUCER EL.SHAKER 560 3558
17	Z8 16280	1	PLATE REDUCER ELECT.SHAKER 3558
19	32400560	1	CABLES. GROUND KIT
30	Z8 39035	3	CABLE 4G1.5 FROR AL M
33	Z8 39981	1	FAIRLEAD RUBBERISED D16
37	32401019	1	GEARMOTOR. COMPLETE KIT
38	32401020	1	SHAKER ASSEMBLY.COMPOSITE
39	32401021	1	SCREWS.SET X F.SHAKER IV055/075/110/150
40	32400796	1	CABLE GLANDS.KITIV022/040
41	32400794	1	CONNECTOR.ELETTR.KIT

Plastic bag system

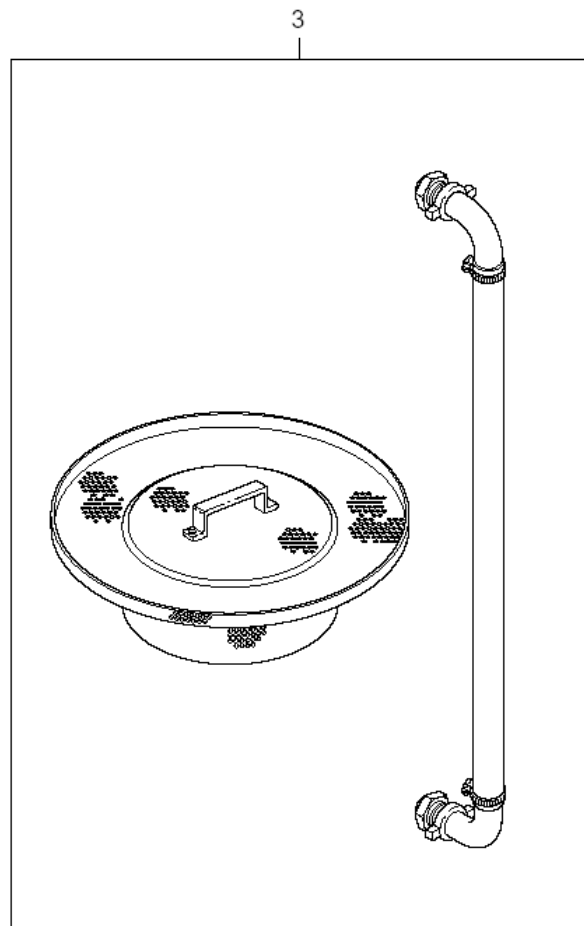
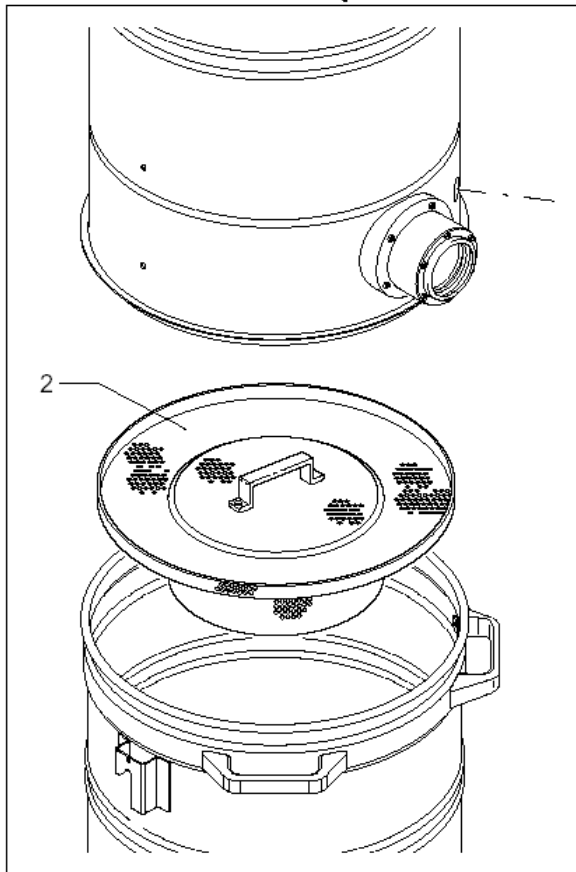
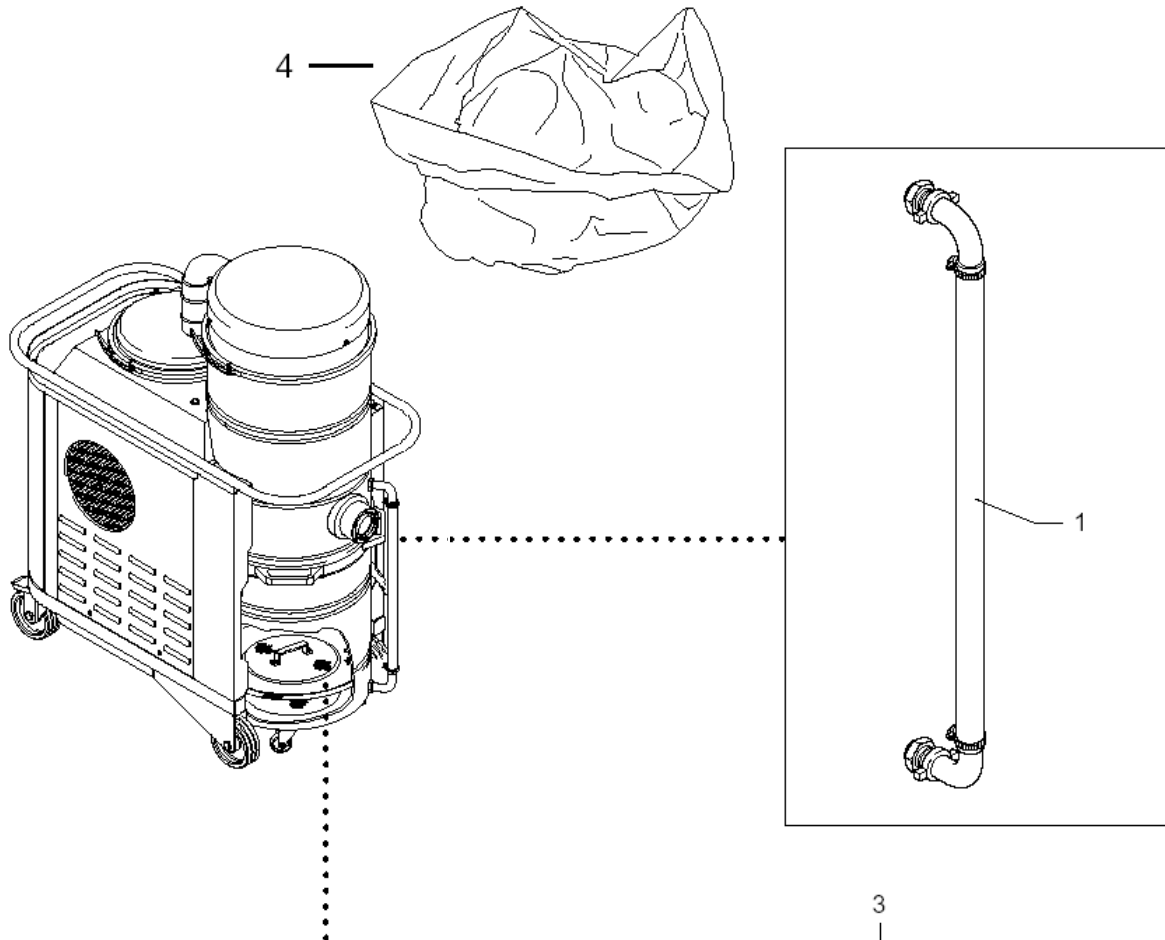
IV 075-110-150

24-01-2013

Part List ID

G209321

61



Plastic bag system

IV 075-110-150

24-01-2013

Part List ID

G209321

62

Pos	Part no.	Qty	Description
1	32400571	1	PIPE.DEPRESSOR
2	Z8 31231	1	CONTAINER GRID D560 FE
3	32400517	1	BAG.PLASTIC KIT MOD.IV055-075-110-150
4	82366400	1	PLASTIC BAGS KLAR 5PCS
4	82366500	1	PLASTIC BAGS BLUE 5PCS
4	82366600	1	PLASTIC BAGS RED 5PCS

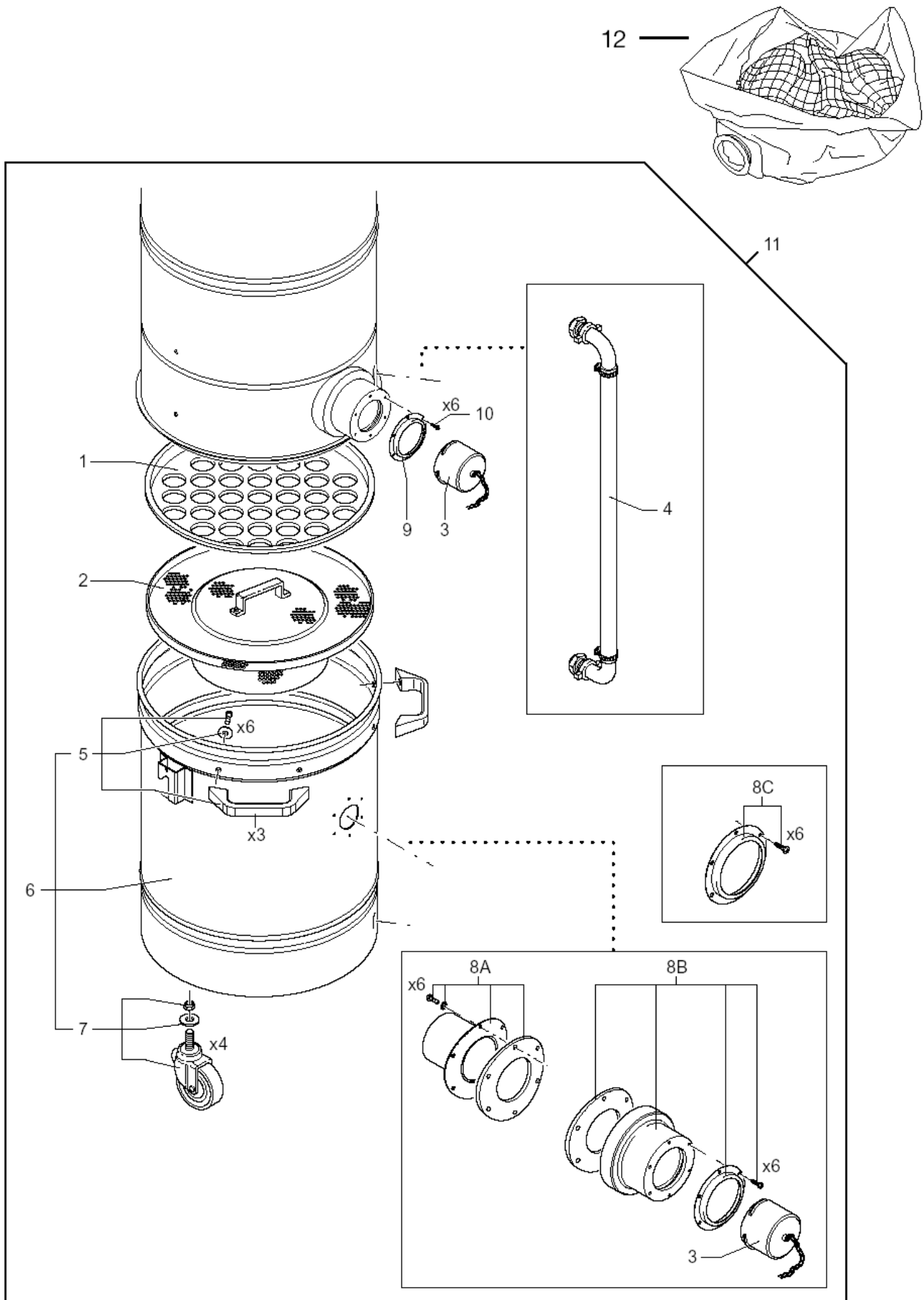
Safe bag system IV 075 - IV 110

IV 075-110-150

24-01-2013

Part List ID
G209323

63



Safe bag systemIV 075 - IV 110

IV 075-110-150

24-01-2013

Part List ID

G209323

64

Pos	Part no.	Qty	Description
1	32400570	1	GRID .SUPERIOR
2	Z8 31231	1	CONTAINER GRID D560 FE
3	L04003200	2	BLIND SHUTTER Ø 50 MM
4	32400571	1	PIPE.DEPRESSOR
5	32400333	3	HANDLE.KIT FOR CONTAINER
6	32400891	1	CONTAINER.KIT COMPLETE IV075/110/150
7	32400889	4	WHEELS.KIT CONTAINER IV055/075/110/150
9	32211201	1	BAYONET COUPLING 50 MM FOR DUST
11	32400521	1	BAG.SAFE SYSTEM KIT IV075/110/150
12	L03034200	1	DUST SAFE BAG SYSTEM 1PC
8A	32400935	1	BAYONET.KIT COMPLETE FOR 32400516 -
8B	32400939	1	INLET.KIT D70 MM IV075 IV110
8C	32400941	1	INLET.KIT IVT/IVB 2000 S

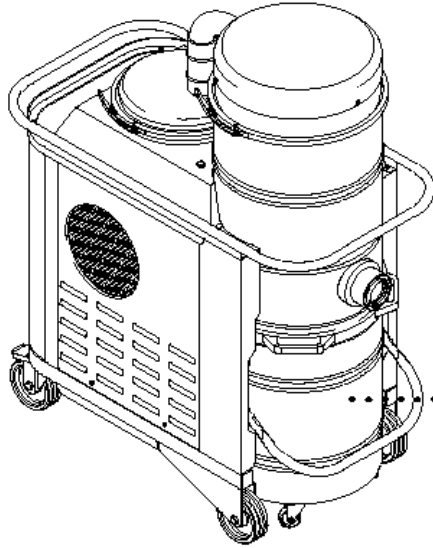
S. S. Container IV 075- IV 110- IV 150

IV 075-110-150

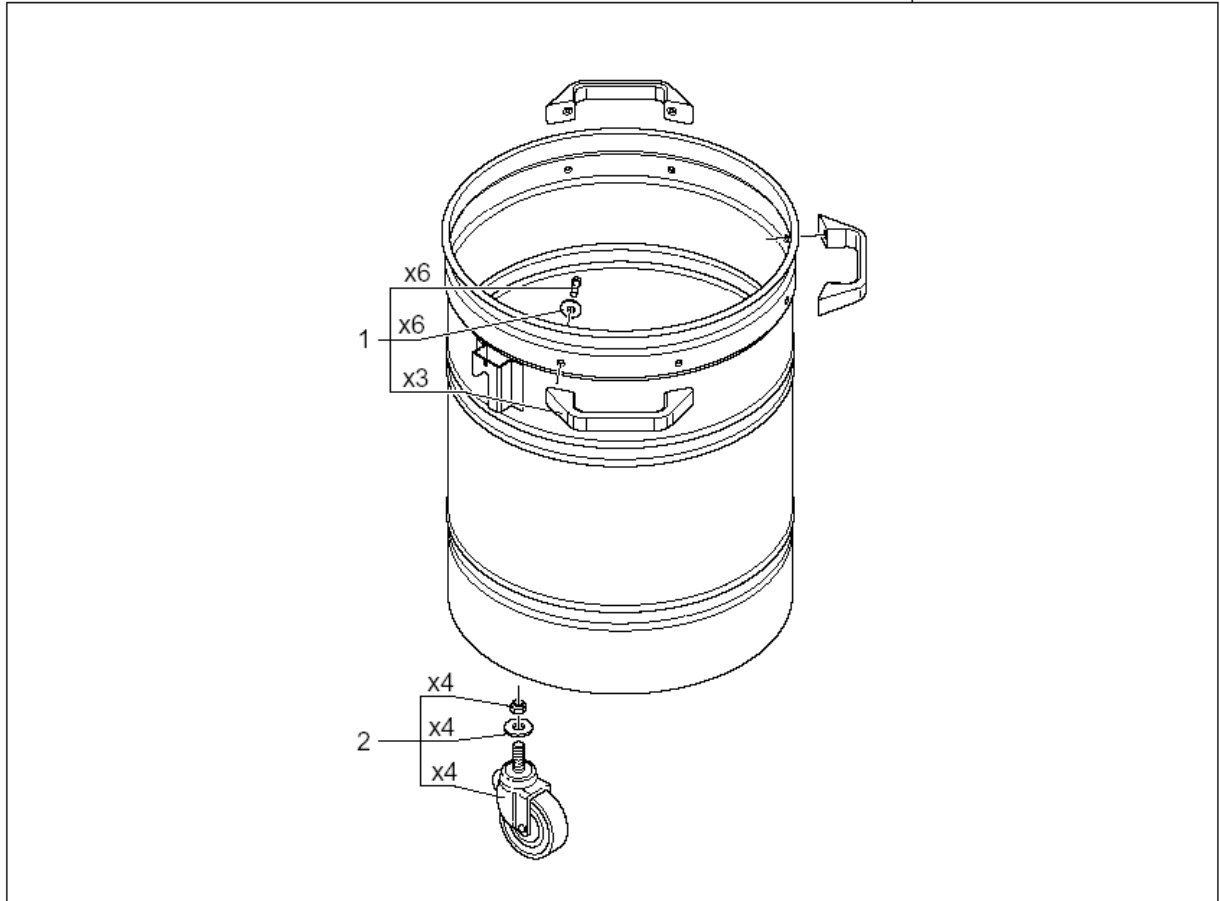
24-01-2013

Part List ID
G209325

65



3



S. S. Container IV 075- IV 110- IV 150

IV 075-110-150

24-01-2013

Part List ID

GZ09325

66

Pos	Part no.	Qty	Description
1	32400333	3	HANDLE.KIT FOR CONTAINER
2	32400889	4	WHEELS.KIT CONTAINER IV055/075/110/150
3	32400522	1	CONTAINER.INOX KIT

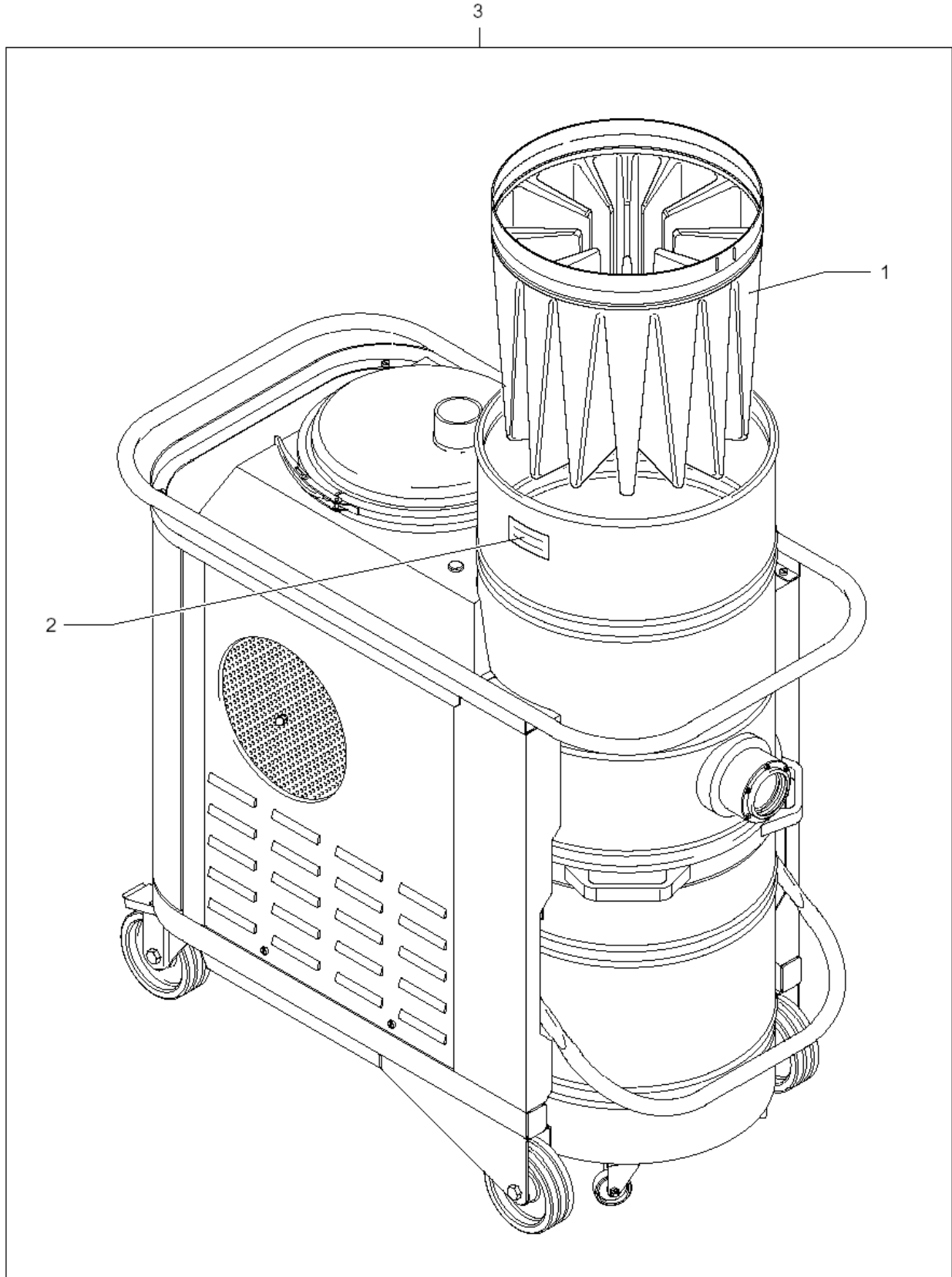
Class M. IV 075 - IV 110

IV 075-110-150

24-01-2013

Part List ID
G209327

67



Class M. IV 075 - IV 110

IV 075-110-150

24-01-2013

Part List ID
GZ09327

68

Pos	Part no.	Qty	Description
1	32400936	1	FILTER.CLASS M KIT D.560
2	Z8 17551	1	LABEL CATEGORY M
3	32400523	1	CLASS M.KIT IV055-075-110

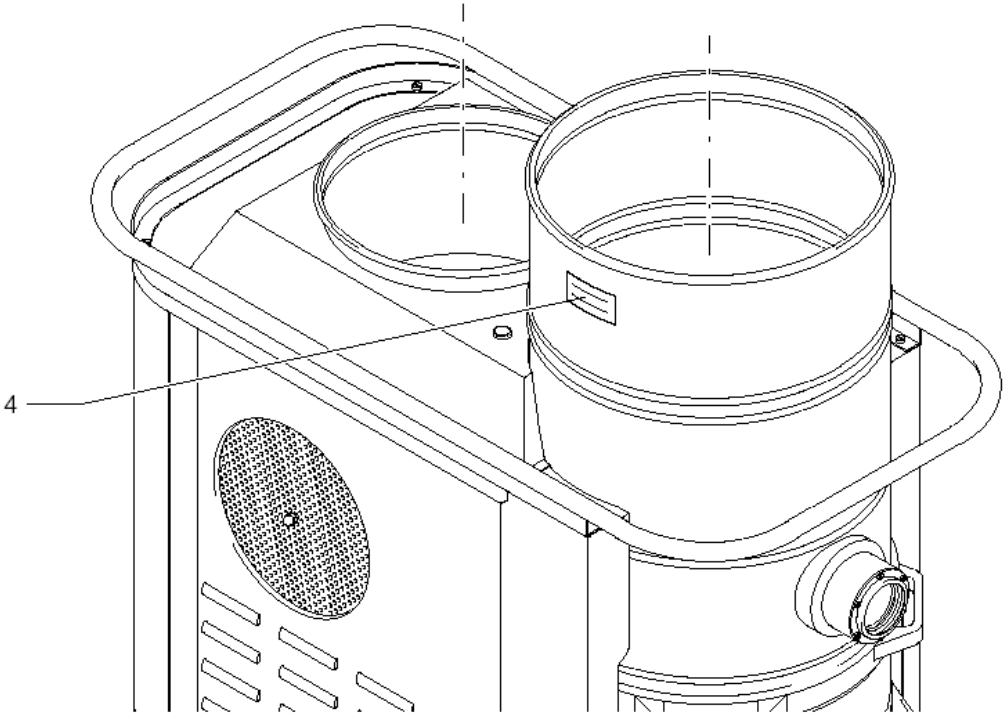
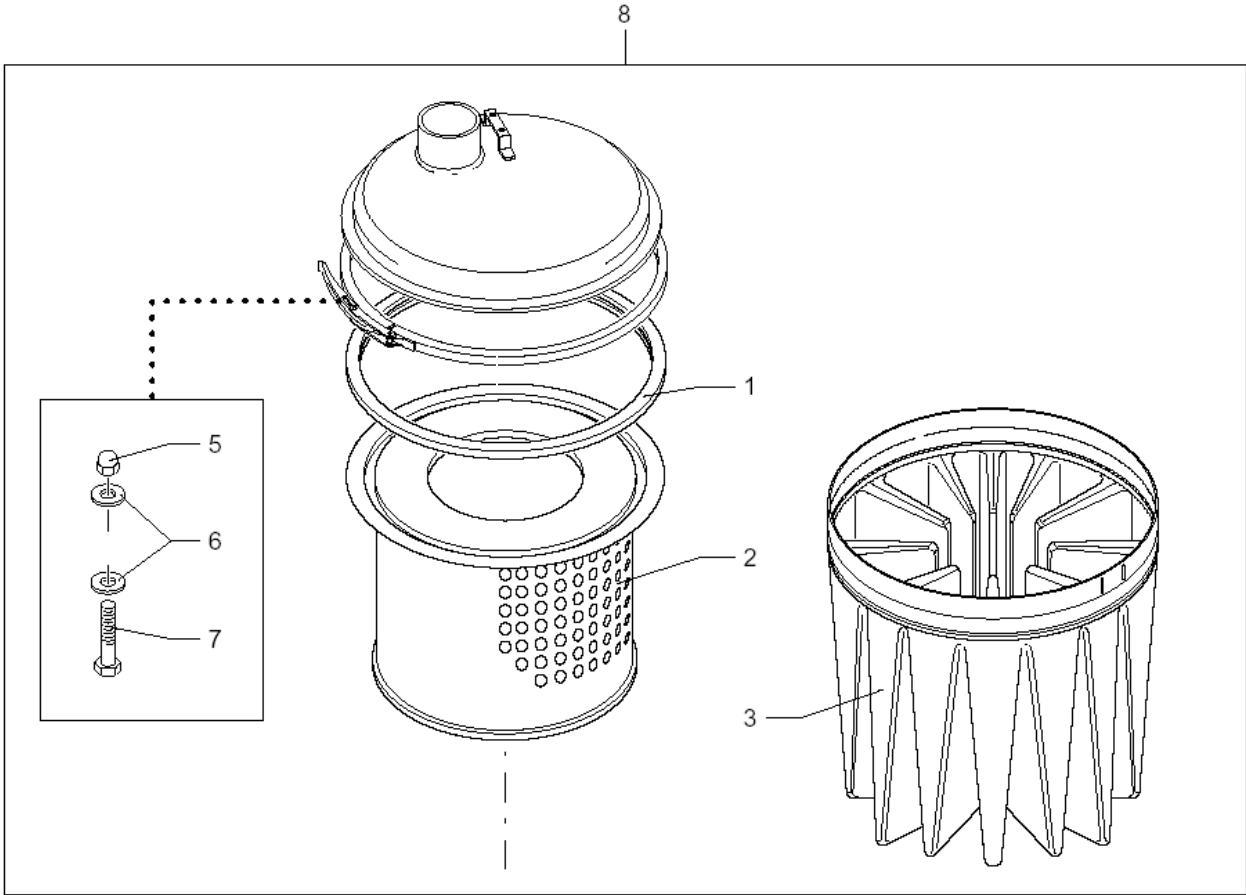
Class H. IV 075 - IV 110

IV 075-110-150

24-01-2013

Part List ID
G209329

69



Class H. IV 075 - IV 110

IV 075-110-150

24-01-2013

Part List ID
G209329

70

Pos	Part no.	Qty	Description
1	32400336	1	GASKET.FOR RING KIT D.460
2	32400240	1	FILTER.ABSOLUTE
3	32400936	1	FILTER.CLASS M KIT D.560
4	Z8 17552	1	LABEL CATEGORY H
8	32400524	1	CLASS H.KIT IV055-075-110

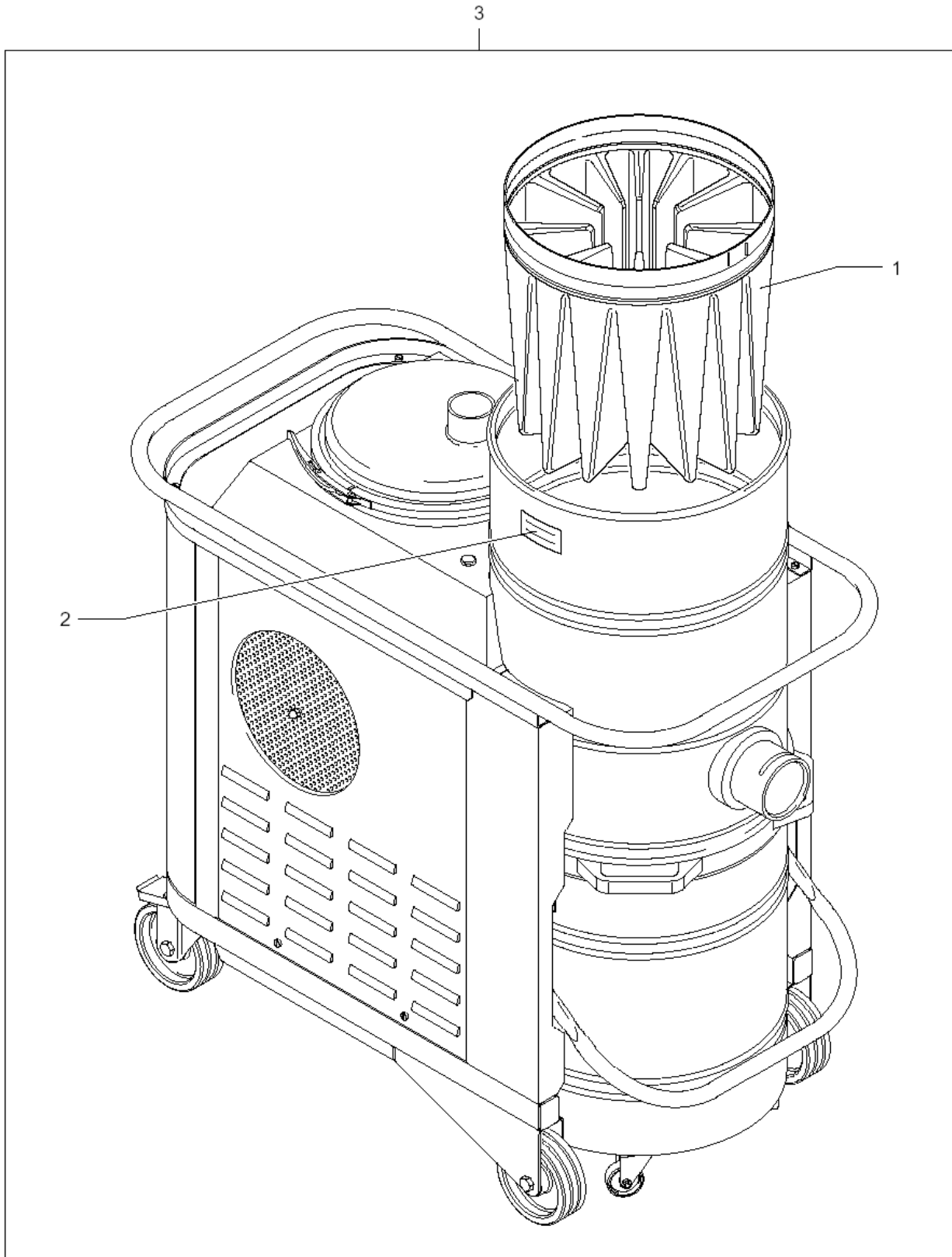
Class M. IV 150

IV 075-110-150

24-01-2013

Part List ID
G209331

71



Class M. IV 150

IV 075-110-150

24-01-2013

Part List ID
G209331

72

Pos	Part no.	Qty	Description
1	32400943	1	FILTER.CLASS M KIT D.560 IV150 KIT
2	Z8 17551	1	LABEL CATEGORY M
3	32400525	1	CLASS M.KIT IV150

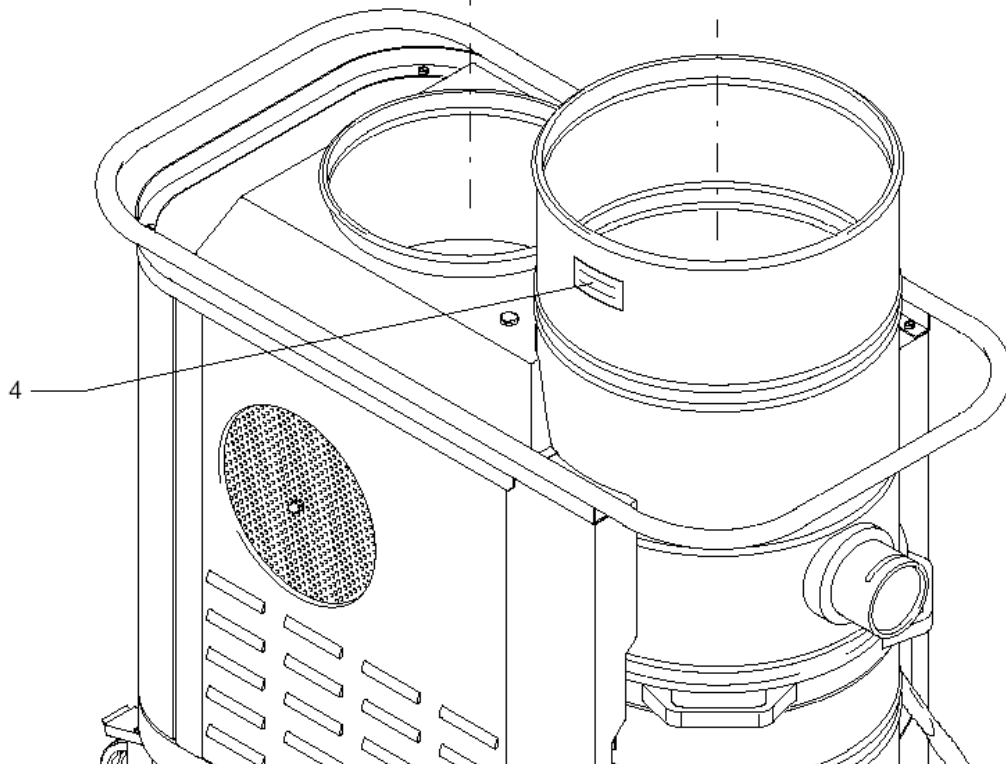
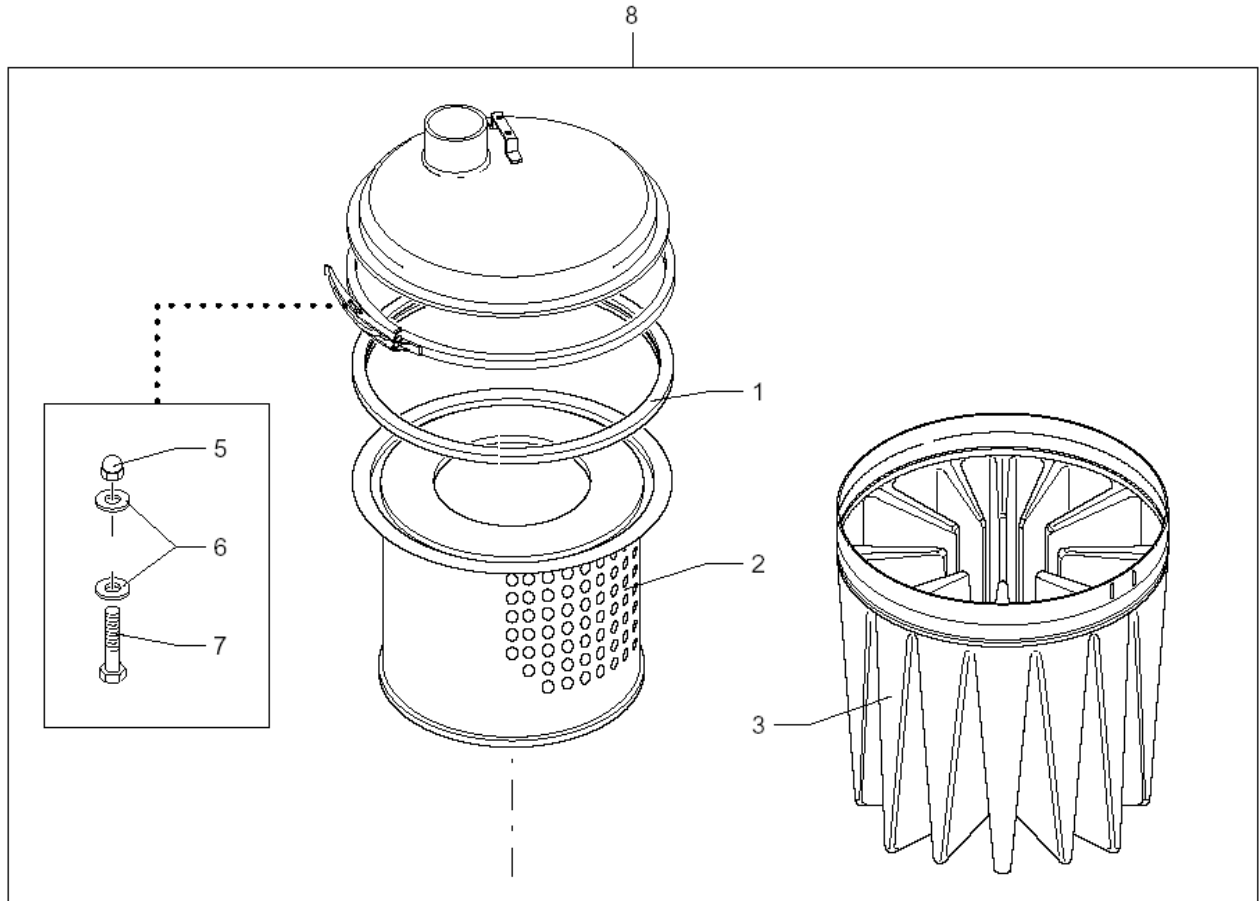
Class H. IV 150

IV 075-110-150

24-01-2013

Part List ID
G209333

73



Class H. IV 150

IV 075-110-150

24-01-2013

Part List ID
G209333

74

Pos	Part no.	Qty	Description
1	32400336	1	GASKET.FOR RING KIT D.460
2	32400240	1	FILTER.ABSOLUTE
3	32400909	1	FILTER.CLASS M KIT IV150
4	Z8 17552	1	LABEL CATEGORY H
8	32400526	1	CLASS H.KIT IV150

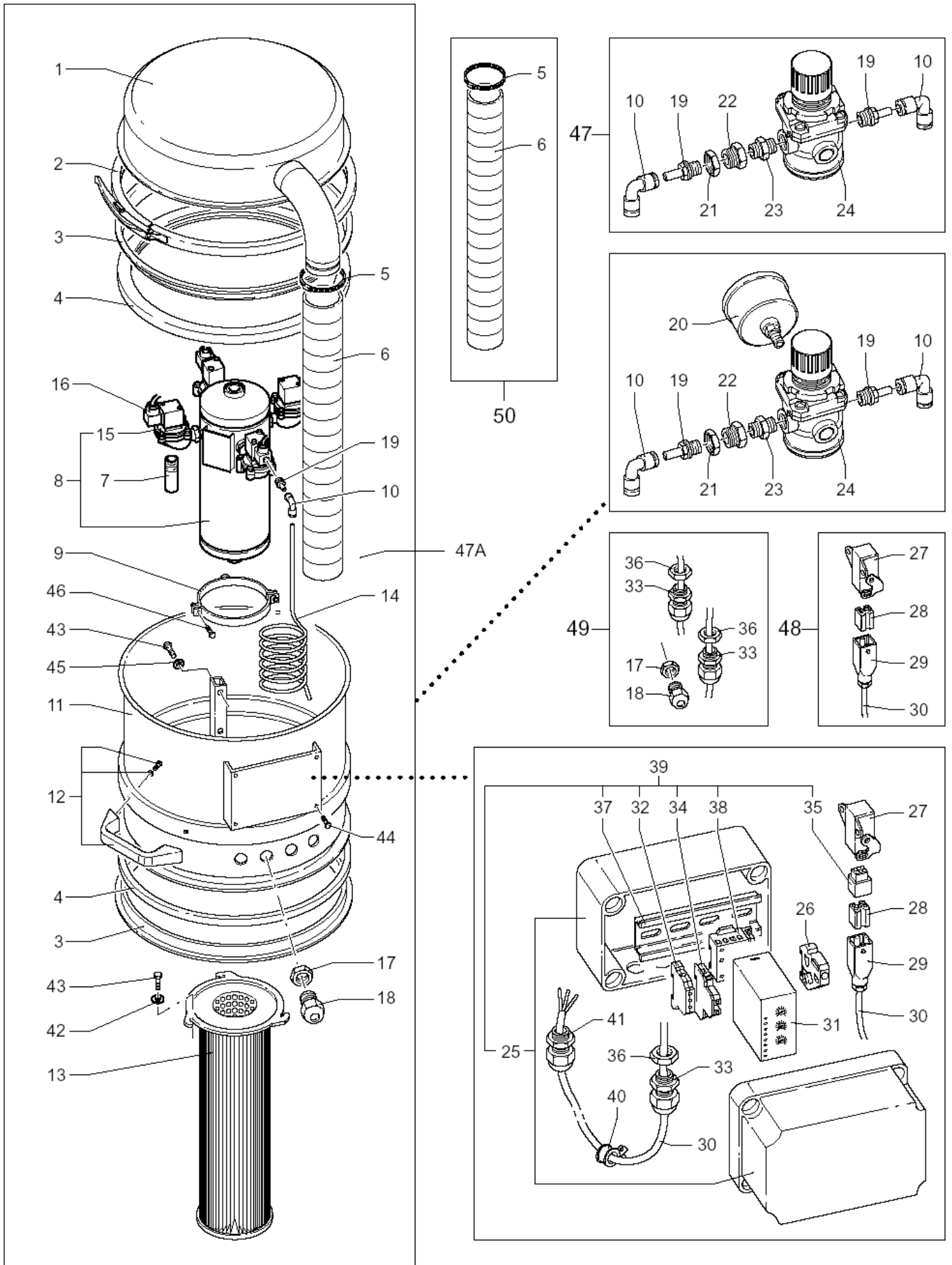
Cartridge complete

IV 075-110-150

24-01-2013

Part List ID
G209335

75



Cartridge complete

IV 075-110-150

24-01-2013

Part List ID
G2U9335

76

Pos	Part no.	Qty	Description
1	32400636	1	CAP.D560
2	32400895	1	CLAMPING BAND.KIT D.560
3	Z8 15005	2	FILTER HOLDER RING D560 FE
4	32400336	2	GASKET.FOR RING KIT D.460
7	Z8 13210	4	NOZZLE 3/4 X 100 KIT CARTR.
8	Z8 30209	1	COMPLETE TANK FOR CHAMBER D560
9	Z8 40562	2	COLLAR D160 TANK KIT 560
11	32400632	1	SIDE
12	32400333	2	HANDLE.KIT FOR CONTAINER
13	Z8 33140	4	FILTER CART.D150x500 MC
14	Z8 24077	1	RILSAN TUBE 6x8 W.SPIRAL ORANGE x D.C.
15	Z8 40330	4	VALVE MECAIR 3/4
16	Z8 39979	4	CABLE 3G1 WITH CONNECTOR FOR TANKS
20	Z8 40098	1	MANOMETER D40 MOD.A17
25	Z8 39232	1	BOX 170x135x145 IP66 BxHxP MOD.317L
30	Z8 39209	3	CABLE 3G1 FROR IN M
31	Z8 391107	1	CYCLIC TIMER 24VAC 4OUT
35	Z8 39345	1	OUTLET INSERT 3P+E GW PLASTIC
39	Z8 41039	1	E.B. KIT CART. D3-460 24VAC IP55
40	Z8 39981	1	FAIRLEAD RUBBERISED D16
41	Z8 39055	1	CABLE GLAND PG16 PA
47	32400801	1	REGULATOR.COMPL.KIT CARTRIDGE
48	32400802	1	CONNECTOR.KIT COMPLETE CARTRIDGE
49	32400803	1	SET PG.COMPLETE F/KIT CARTRIDGE 32400155
50	32401022	1	SLEEVE.COMPLETE KIT IV055/075/110/150

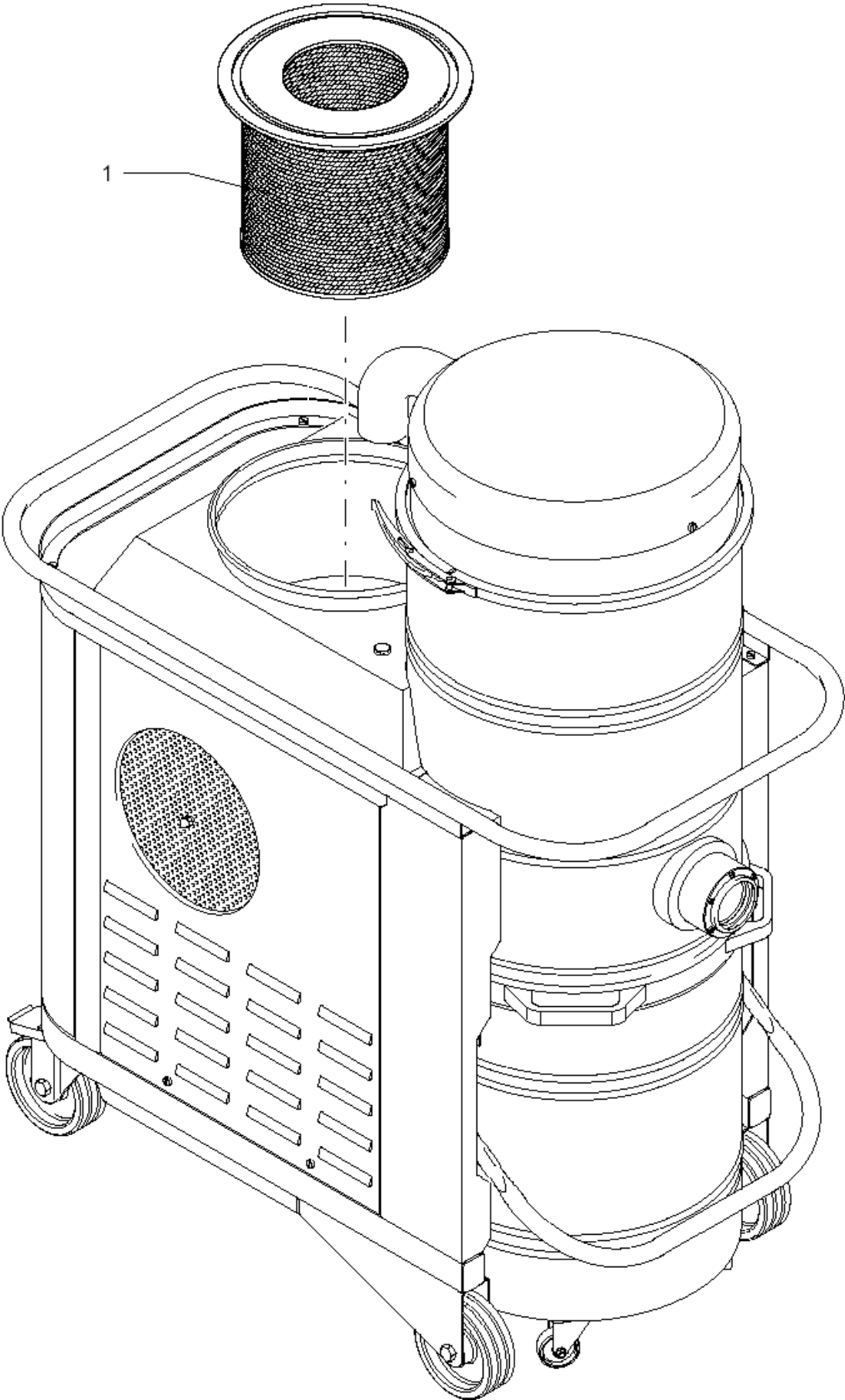
HEPA Filter

IV 075-110-150

24-01-2013

Part List ID G209337

77



HEPA Filter

IV 075-110-150

24-01-2013

Part List ID
G209337

78

Pos	Part no.	Qty	Description
1	32400240	1	FILTER.ABSOLUTE

Safety filter IV 075 - IV 110 - IV 150

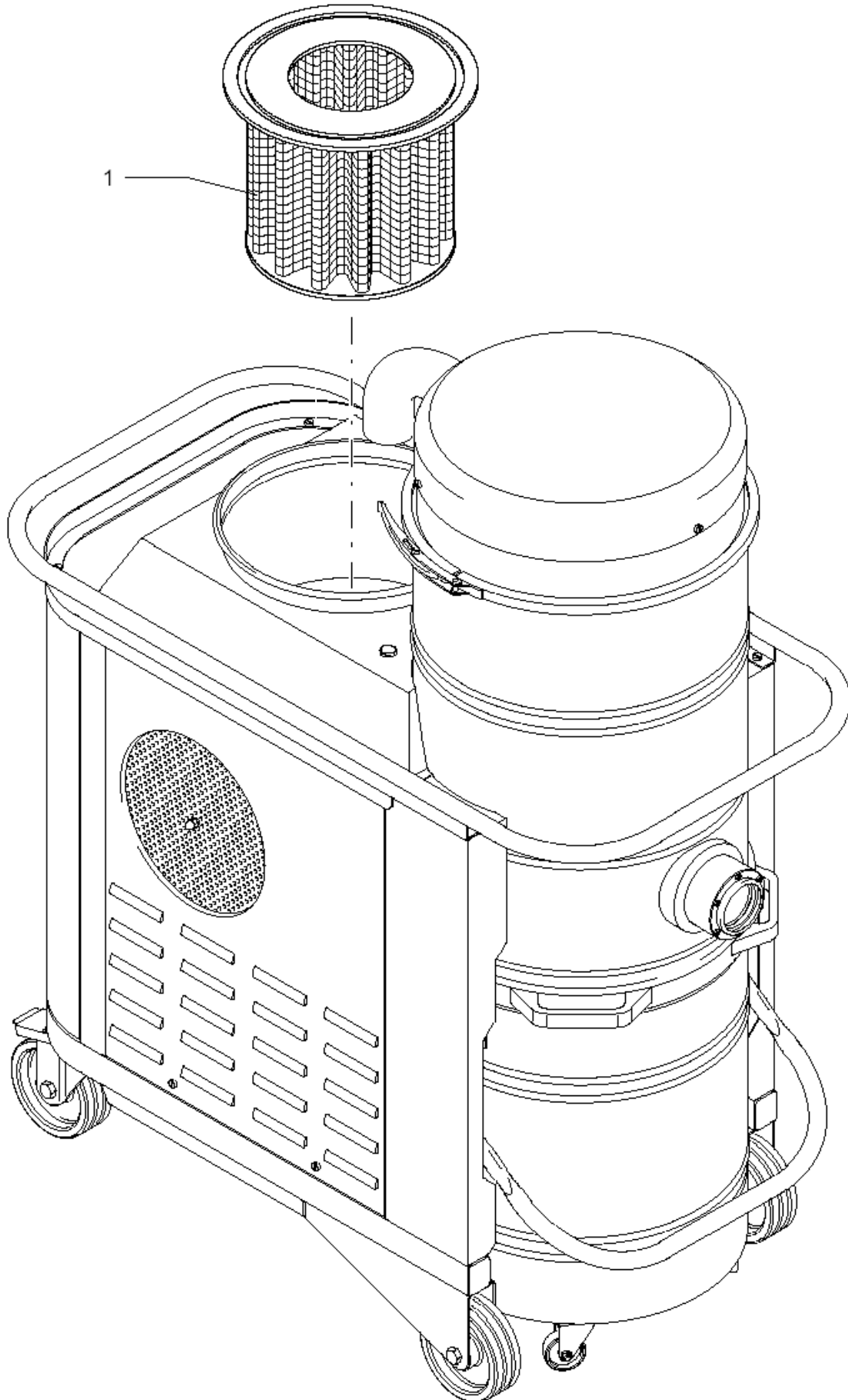
IV 075-110-150

24-01-2013

Part List ID

G209339

79



Safety filter IV 075 - IV 110 - IV 150

IV 075-110-150

24-01-2013

Part List ID
G209339

80

Pos	Part no.	Qty	Description
1	32400529	1	CARTRIDGE .CLASS G4

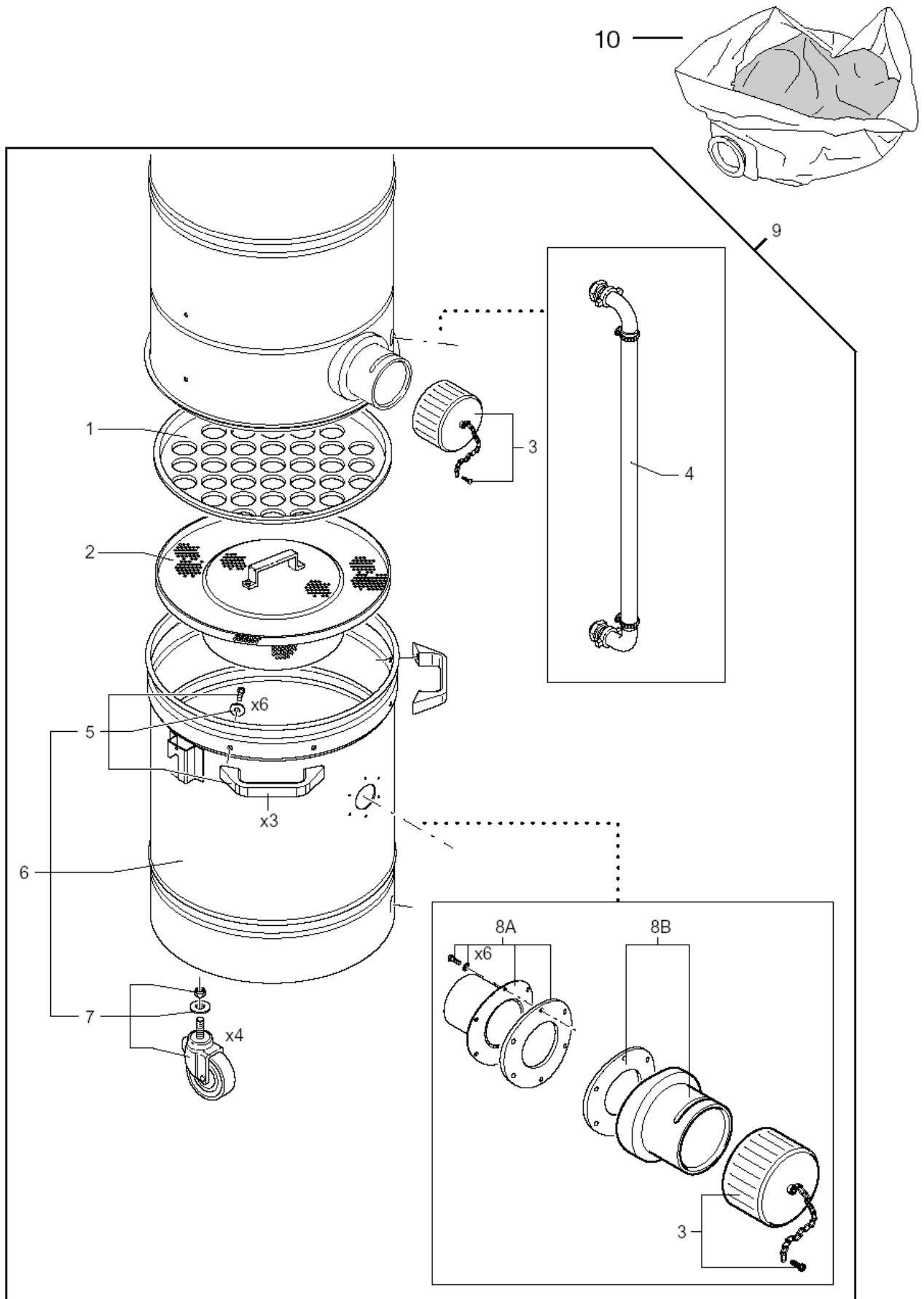
Safe bag system IV 150

IV 075-110-150

24-01-2013

Part List ID
G209341

81



Safe bag system IV 150

IV 075-110-150

24-01-2013

Part List ID

GZ09341

82

Pos	Part no.	Qty	Description
3	L03130400	2	BLIND SHUTTER F. Ø 100 MM
6	32400891	1	CONTAINER.KIT COMPLETE IV075/110/150
7	32400889	4	WHEELS.KIT CONTAINER IV055/075/110/150
10	L03034300	1	DUST SAFE BAG SYSTEM 1PC
8A	32400945	1	DEFLECTOR.KIT IVT 3000 B
8B	32400968	1	INLET.KIT COMPLETE FOR 32400814