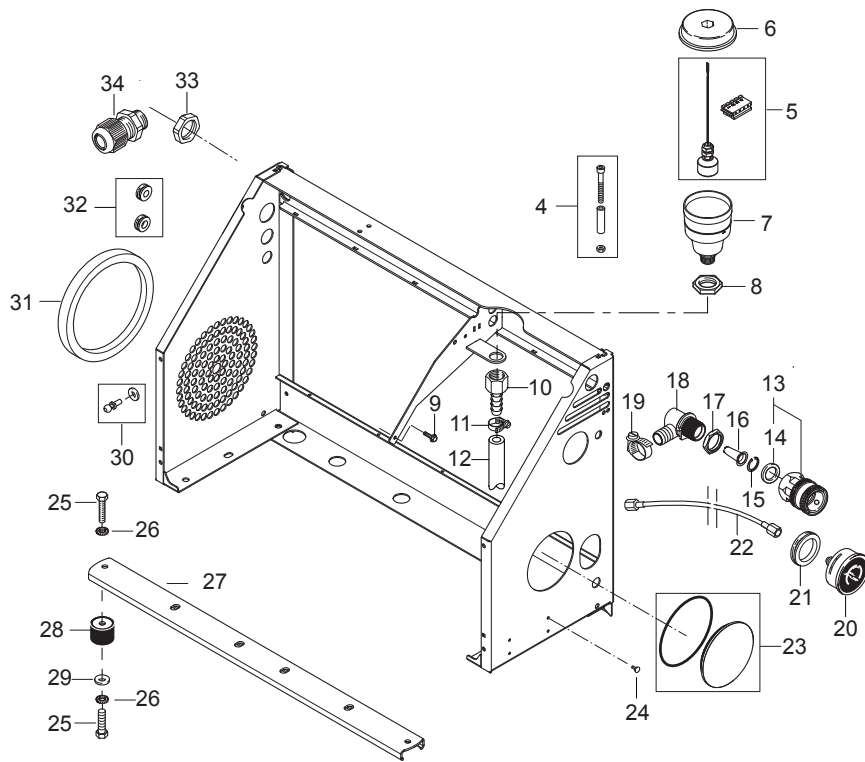
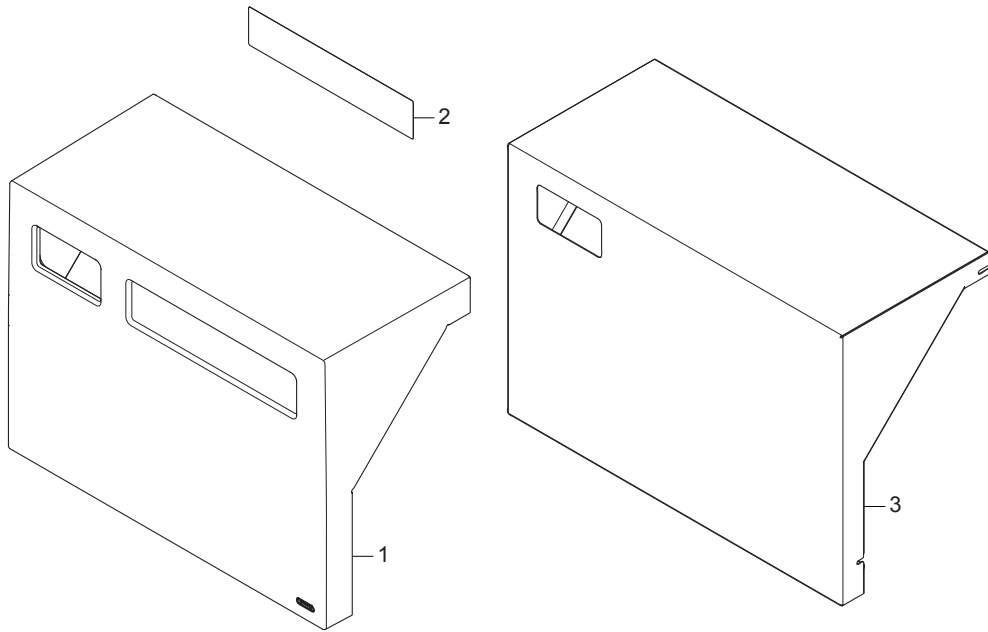


PARTS LIST

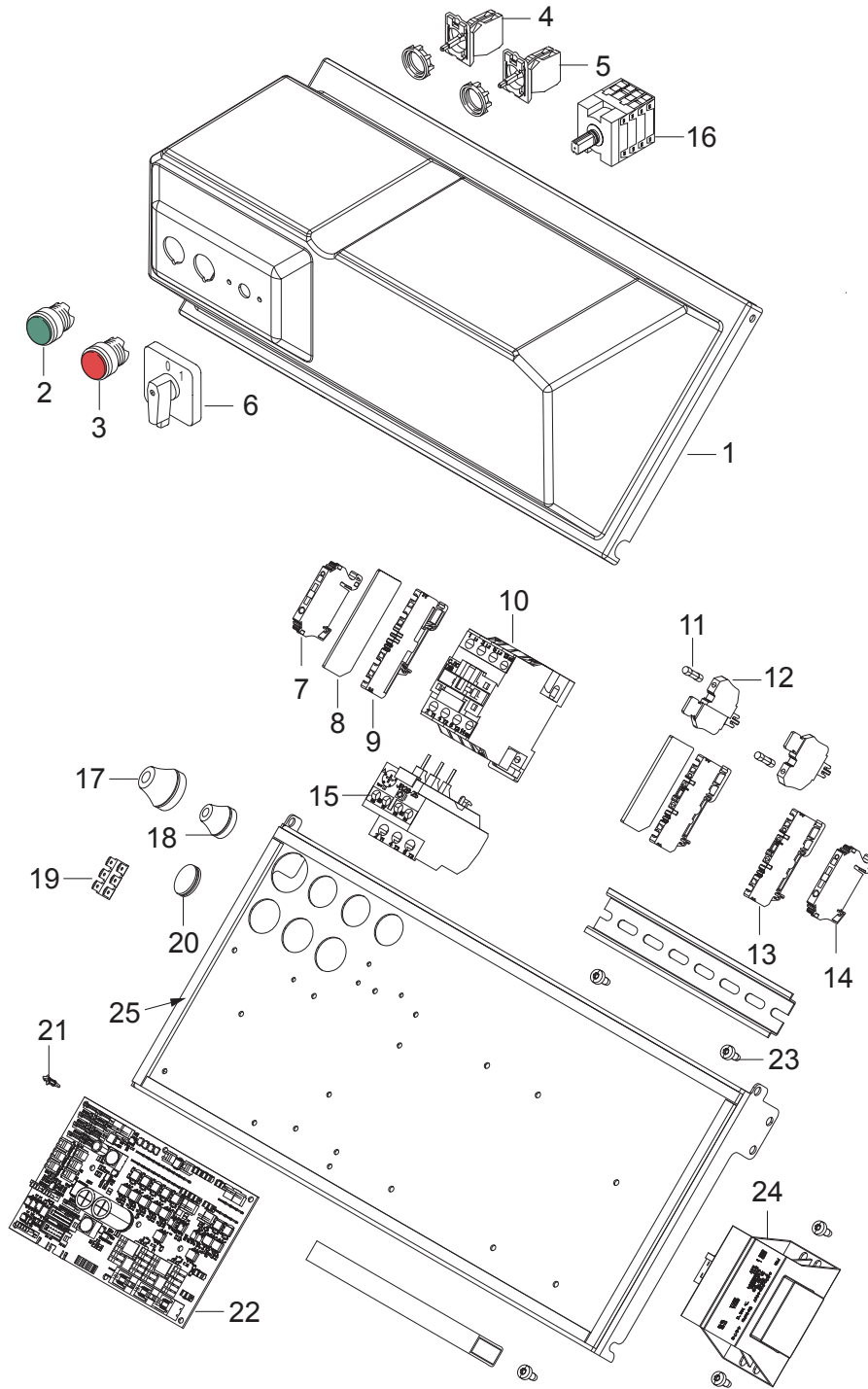


TABLE OF CONTENTS

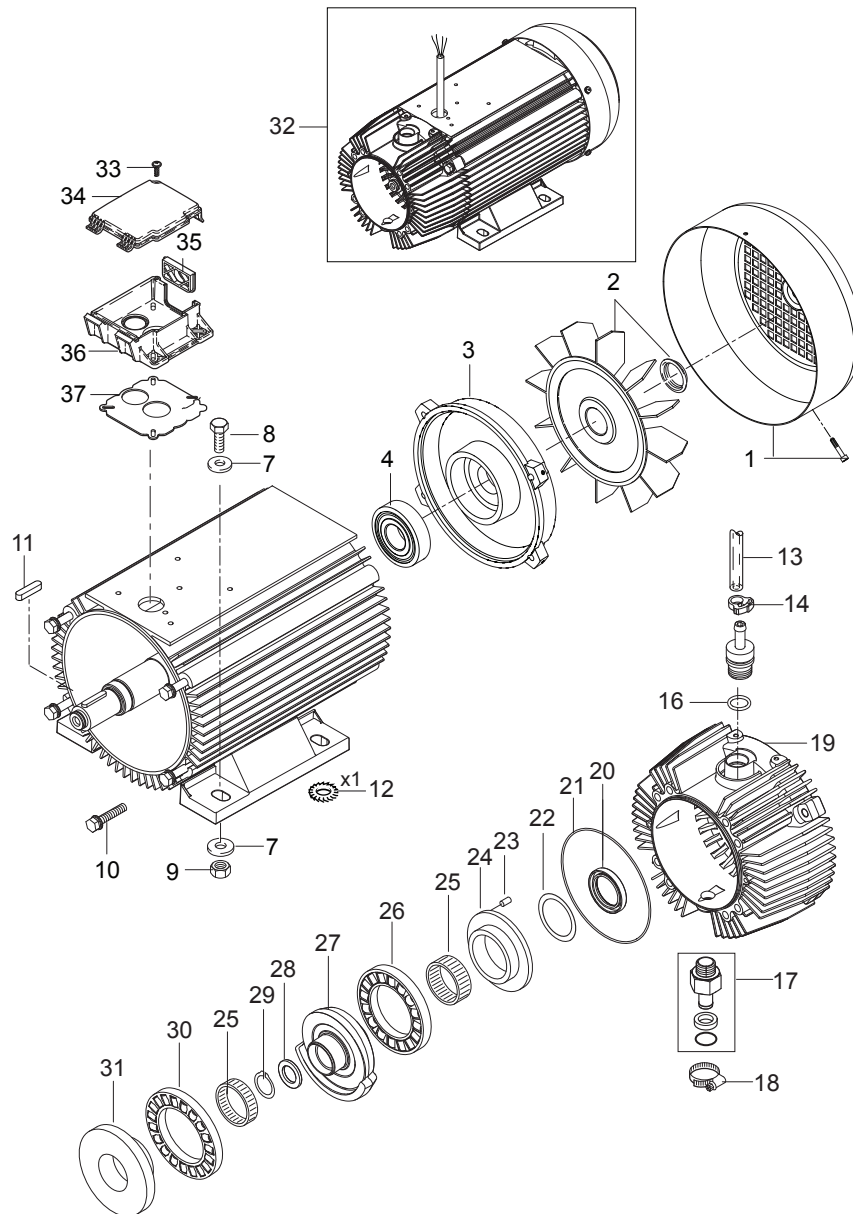
Overview_UNO.....	1
EI-box_UNO.....	3
Motor.....	5
Cylinder head.....	7
Unloader PA.....	9
Default accessories.....	11



No.	Part No.	Qty.	Description	Part Note
1	107307349	1	CABINET EPP	
2	107307351	1	FRONTLABEL	
3	107307352	1	CABINET SS. UNO	
4	101118162	1	SCREW KIT FOR CABINET EPP UNO/DUO	
5	101118173	1	OIL SENSOR W/PLUG KIT UNO/DUO	
6	301000615	1	COVER Ø70X15.5	
7	301000614	1	PUMP OIL CONTAINER Ø66.8X84	
8	101609356	1	NUT 1/2IN	
9	106268067	4	SCREW KIT	
10	107307313	1	HOSESTUD D10X3/8	
11	1805100	1	HOSE CLIP 8-22MM	
12	106408242	1	HOSE 5/8INCH - 2 METERS	
13	1602945	1	QUICK COUPLING 3/4 W/GASKET	
14	3001237	1	GASKET Ø24.5XØ16X3 NITRIL 80SH	
15	107141667	1	LOCK WASHER	
16	101117926	1	FILTER	
17	1800341	1	LOCK NUT 3/4IN	
18	107141669	1	WATER INLET PIPE C3	
19	8298	1	HOSE CLIP 16-27	
20	107141648	1	MANOMETER 0-300 BAR	
21	103004331	1	SLEEVE PVC 45/ 60	
22	107307316	1	MANOMETER HOSE DN2. COMPLETE	
23	101118165	2	PLUG + O-RING KIT FOR FRAME UNO/DUO	
24	107307314	4	SNAP RIVET D12/D6	
25	1810266	8	SCREW M8X12 A2 DIN933	
26	1810274	8	WASHER M8 - DIN 6798J	
27	107307311	1	PROFIL M/P	
27	107307312	1	PROFIL M/P SS	
28	107307309	4	GUMMI METAL BUFFER D30X30	
29	1802917	4	WASHER M8 Ø8.4X18X1 A2 DIN125	
30	101118164	1	PINS KIT FOR CABINET EPP UNO/DUO	
31	107307310	1	SEALING FOR MOTOR	
32	101118163	1	BLANKING PLUGS KIT FOR FRAME UNO/DU	
33	909100021	1	HEXAGON NUT M32X1.5	
34	103821837	1	CABLE BUSHING M32X1.5	



No.	Part No.	Qty.	Description	Part Note
1	107307319	1	E-BOX COVER UNO/DUO	
2	103821823	1	GREEN START PUSH BUTTON	
3	103821824	1	RED STOP PUSH BUTTON	
4	103821825	1	START SWITCH/LIGHT BLOCK NO CONTACT	
5	103821826	1	STOP SWITCH/LIGHT BLOCK NC CONTACT	
6	103821849	1	HANDLE F SWITCHING CONTACT UNO	
7	107307325	1	END PLATE PAP 2.5/4/4AN	
8	107307321	3	END PLATE PAP - PTR 2.5/4	
9	107307324	2	TERMINAL BLOCK PDU 2.5/4/4AN	
10	103822306	1	CONTACTOR CJX2-D18 18A 24V 3P+NO	
10	103822313	1	CONTACTOR CJX2-D25 25A 24V 3P+NO/US	
10	103822317	1	CONTACTOR CJX2-D32 32A 24V 3P+NO	
11	107307323	2	FUSE D5X20 0.63A T 250V	
12	107307322	2	FUSE PLUG - SIHA 3/G20 - PTR 2.5/4	
13	107318227	2	TEST TERMINAL PUSH-IN P-SER. PTR 2.5/4	
14	107318193	2	END BRACKET FOR DIN-RAIL	
15	103822327	2	THERMAL RELAY 12-18AMP	
15	103822328	2	THERMAL RELAY 17-25AMP	
15	103822329	2	THERMAL RELAY 23-32AMP	
16	103821839	1	SWITCHING CONTACT UNO	
17	3803798	1	RUBBER SEAL 14-20C	
18	3803780	3	GROMMET 10-14C	
19	107307326	1	EARTH CONNECTOR 6 PIN	
20	107307317	1	DIAPHRAGM GROMMENTS D30/D20.5	
21	107307320	8	MINIATURE DOUBLE LOCKING. 7MM/3.5MM	
22	107307327	1	PCBA NEO PLATFORM 13 SC UNO/DUO	
23	107141690	6	SCREW M5X12 DIN7985 TORX TAPTITE	
24	107307331	1	TRAFO 40VA PR 230-400-440.SEC1+2 24VAC	
25	107307330	1	DAFACELL 4X8MM ADHESIVE	
30	101118167	1	VARIOUS WIRES KIT FOR E-BOX UNO 400/3/50	
30	101118168	1	VARIOUS WIRES KIT FOR E-BOX UNO L 400/3/	
30	101118169	1	VARIOUS WIRES KIT FOR E-BOX UNO 440/3/60	
30	101118170	1	VARIOUS WIRES KIT FOR E-BOX DUO 400/3/50	
30	101118171	1	VARIOUS WIRES KIT FOR E-BOX DUO 440/3/60	
31		1	Power cord H07RN-F 4G2.5	
31		1	Power cord H07RN-F 4G6	
31		1	Power cord H07RN-F 4G10	
32	101118172	1	MOTORCABLES KIT FOR UNO/DUO	
33	107307329	1	PCBA HOUR COUNTER DISPLAY	



PL_UNO 6P Motor

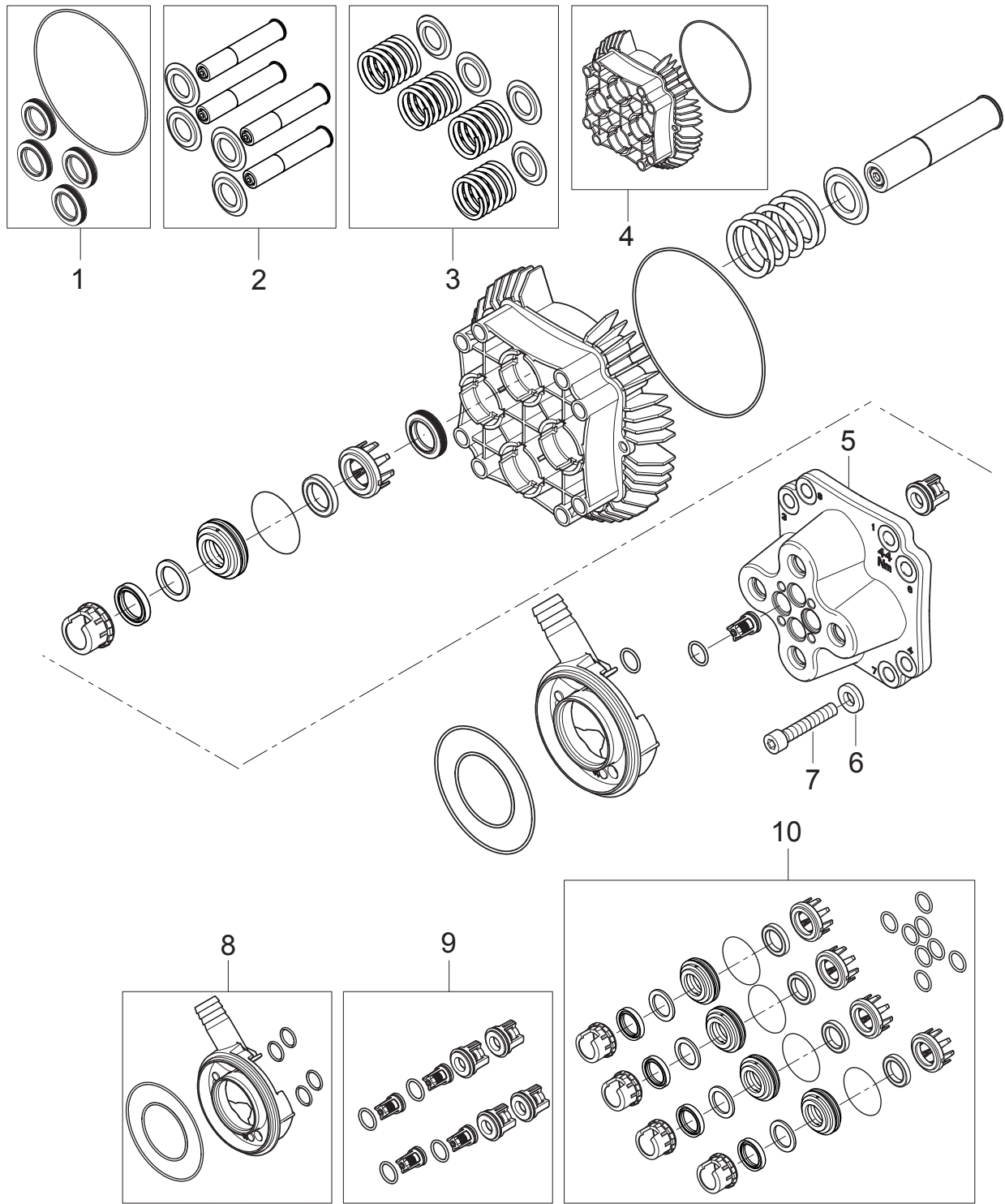
No.	Part No.	Qty.	Description	Part Note
0	5218433	1	PUMP OIL 150 1X1L	
1	107144126	1	FAN COVER RF	
2	107144125	1	FAN W LOCK RING RF	
3	31000148	1	REAR BEARING COVER RF	
4	31000149	1	REAR BEARING 6306 2Z C3 150 DEGREES RF	
7	107307315	7	PLAIN WASHER 10.5X22X1.25	
8	8927	4	HEXAGON HEAD CAP SCREW M10X 35 ISO 4017	
9	1800465	4	NUT M10 DIN 934	
9	1802966	4	Nut Hex M10 A2 DIN 934	
10	6863	4	SCREW M8X35	
11	107140880	1	KEY 6X6X32 A DIN 6885	
12	107140931	1	TOOTHED WASHER M10 SS	
12	10204	1	SERRATED LOCK WASHER A10	
13	106408241	1	HOSE PVC 1/4INCH TRANSPARENT - 2 METERS	
14	107307356	1		
16	107140882	1	O-RING 15.0 X 3.0 SMS 1586 NBR70	
17	101118175	1	DRAIN PLUG W/MAGNET KIT NA6	
18	1805100	1	HOSE CLIP 8-22MM	
19	101118067	1	FRONT BEARING COVER CPL.	
20	3001146	1	OIL GASKET 35X50X7 SIKU/MITON	
21	106408215	1	O-RING 126.71 X 1.78 NBR 72	
22	6100995	1	WASHER	
23	6100996	1	GUIDE PIN	
24	107120703	1	BEARING TRACK	
25	3200656	2	NEEDLE BEARING INA K 40X46X17	
26	3200615	1	AXIAL ROLLER BEARING	
27	106408213	1	WOBBLE DISC POLISHED 7.05DEG	
28	106408204	1	WASHER D32 x D20.1 x 3 STEEL	
29	1802057	1	CIRCLIP EXTERNAL 20X1.2 STEEL. DIN 471	
30	106408206	1	CYL. ROLLER BEARING K81 212-TV AX. D11	
31	106408207	1	BEARING TRACK THRUST	
32	106408202	1	MOTOR 7.5KW. 3X230/400-220/440	
33	10028	1	SCREW KA50X14 WN1411	
34	301000782	1	COVER ELEC.BOX 128.2X112.	
35	17106	1	INSET	
36	301000781	1	ELECTRIC BOX	
37	301000845	1	GASKET FOR ELECTRIC BOX 100.50X114X1MM N	

CYLINDER HEAD

SC UNO 6P-170/1610

2015.04.23

2015.04.24



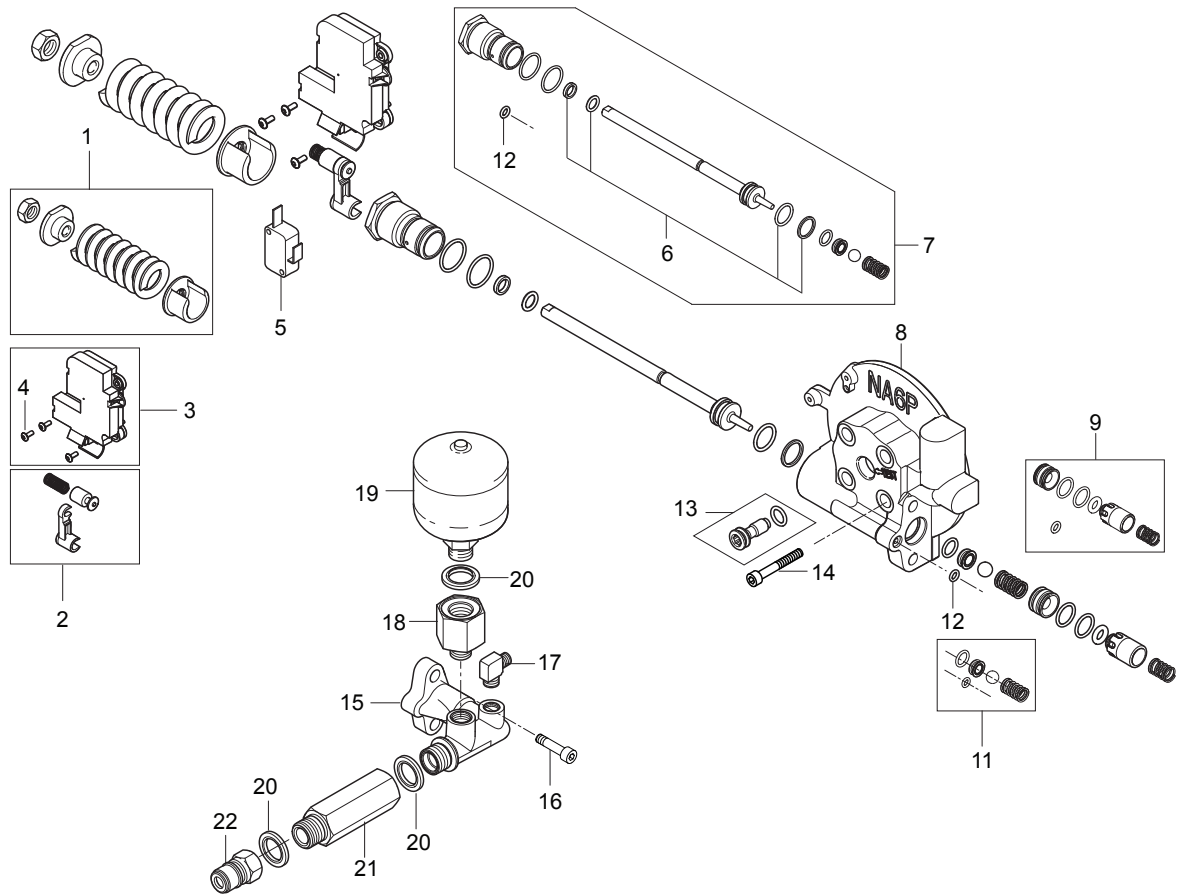
CYLINDER HEAD

SC UNO 6P-170/1610

2015.04.23

2015.04.24

No.	Part No.	Qty.	Description	Part Note
1	101118057	1	SEAL KIT FOR CYLINDER BLOCK NA6	
2	101118066	1	PISTON KIT NA6	
2	101118065	1	PISTON KIT W/MARKING NA6 6-79 / 6-61FFA	
3	101118059	1	RETURN SPRING - KIT NA6	
4	101118060	1	CYLINDER BLOCK - KIT NA6	
5	106408197	1	PUMP HEAD D24 NA6	
6	2767	1	WASHER 10.5 X 20 X 2	
7	1813393	1	SCREW M10X100 DIN912 8.8	
8	101118063	1	INLET MANIFOLD KIT - NA6	
9	101118062	1	OUTLET/INLET VALVE KIT - NA6	
10	101118061	1	WATER SEAL NA6 HEAVY DUTY HOT WATER KIT	
10	101118155	1	WATER SEAL KIT - NA6	



No.	Part No.	Qty.	Description	Part Note
1	101118092	1	UNLOADER SPR. REP.KIT-NON PAINTED NA5 PA	
2	101118090	1	MICROSW. ACTIVATION REP. KIT NA5 PA	
3	101118084	1	MICROSWITCH BOX W/O MICROSW. NA5 PA	
4	107141515	3	SCREW M3X8 ISO7380 FZG TORX 10	
5	301002754	1	MICRO-SWITCH	
5A	107307330	1	DAFACELL 4X8MM ADHESIVE	
6	101118083	1	SEAL KIT FOR STEM FOR NA5 PA	
7	101118082	1	STEM PLUS SEALING REP. KIT NA5 PA	
8	106408246	1		
9	101118120	1	HOLDING PRESSURE VALVE KIT NA5 PA -UK AU	
9	101118087	1	HOLDING PRESS. VALVE REP. KIT NA5 PA	
11	101118088	1	BYPASS VALVE REP. KIT NA5 PA	
12	107141514	1	O-RING D4 X D1.5 NBR 90	
13	107144137	1	UNLOADER PLUG NA5	
14	5100	3	SCREW M6X45 ISO 4762	
15	107307335	1	OUTLET FITTING	
16	8894	1	SCREW DIN 912 M8 X 20 8.8 FZB	
17	101609393	1	V-CONNECTION 6 1/8	
18		1	Not available as a spare part	
19	63090	1	PRESSURE ACCUMULATOR 250 BAR	
20	1801075	3	PACKING RING 23.8X17.2X2 3/8 INCH ST-NBR	
21	107307336	1	EXTENSION G 3/8INCH	
22	1600493	1	Nippel F. O-COUPL. 3/8 INCH	
22	1603101	1	NIPPLE F/QUICK COULING 3/8 SS	

**No
Diagram
Available**

**Parts List
Only**

DEFAULT ACCESSORIES

SC UNO 6P-170/1610

2013.12.13

2015.05.19

No.	Part No.	Qty.	Description	Part Note
1	106402191	1	ERGO 3000 GUN W.SWIVEL LOCK+VARIO PRESS	[1]
1	106403122	1	ERGO 2000 STANDARD W. HOSE SWIVEL	[2]
2	6101766	1	HOSE DN10 10 M 2W 3/8X3/8 INCH	[3]
3	106403010	1	TORNADO PLUS 1120 BEND W/O NOZZLE	[4]
4	101119741	1	NOZZLE 0500 INDICATION RING YELLOW	[5]

Part Notes:

- [1] - 200/1900, 160/2500ERGO 3000 Spray handle with swivel lock - from 15.09.03
- [2] - 170/1610ERGO 2000 Spray handle
- [3] - HOSES Overview
- [4] - TORNADO PLUS lance
- [5] - SC UNO 6P-170/1610 *EU*

