

BA 651/BA751/BA751C/BA851

Model:

BA 651

BA 751

BA 751 C

BA 851



Stückliste Deutsch

31-03-2015

Inhalt

BA 651/BA751/BA751C/BA851

Ansicht allgemein	3
Frischwassertank	5
SCHMUTZWASSERTANK	7
Chassis-System	9
Wheels and drive	11
CHASSIS-SYSTEM BA430S/510S	13
FRISCHWASSERSYSTEM	15
Squeegee holder	17
Squeegee systems	19
Bürstensystem - BA 651 - BA 751	21
Bürstensystem - BA 851	23
Cylindrical brushes system	25
Control panel system	27
Elektrokomponenten	29
Batterieladegerät	31
Accessory - EcoFlex system	33
Zubehör - Sauglippensystem 850mm/33"	35
Zubehör- Bürstendeck 600mm/24"	37
Zubehör - Bürsten - Pads - Sauglippenset	39
EMPFOHLENE ERSATZTEILE	41
General list of accessories	44

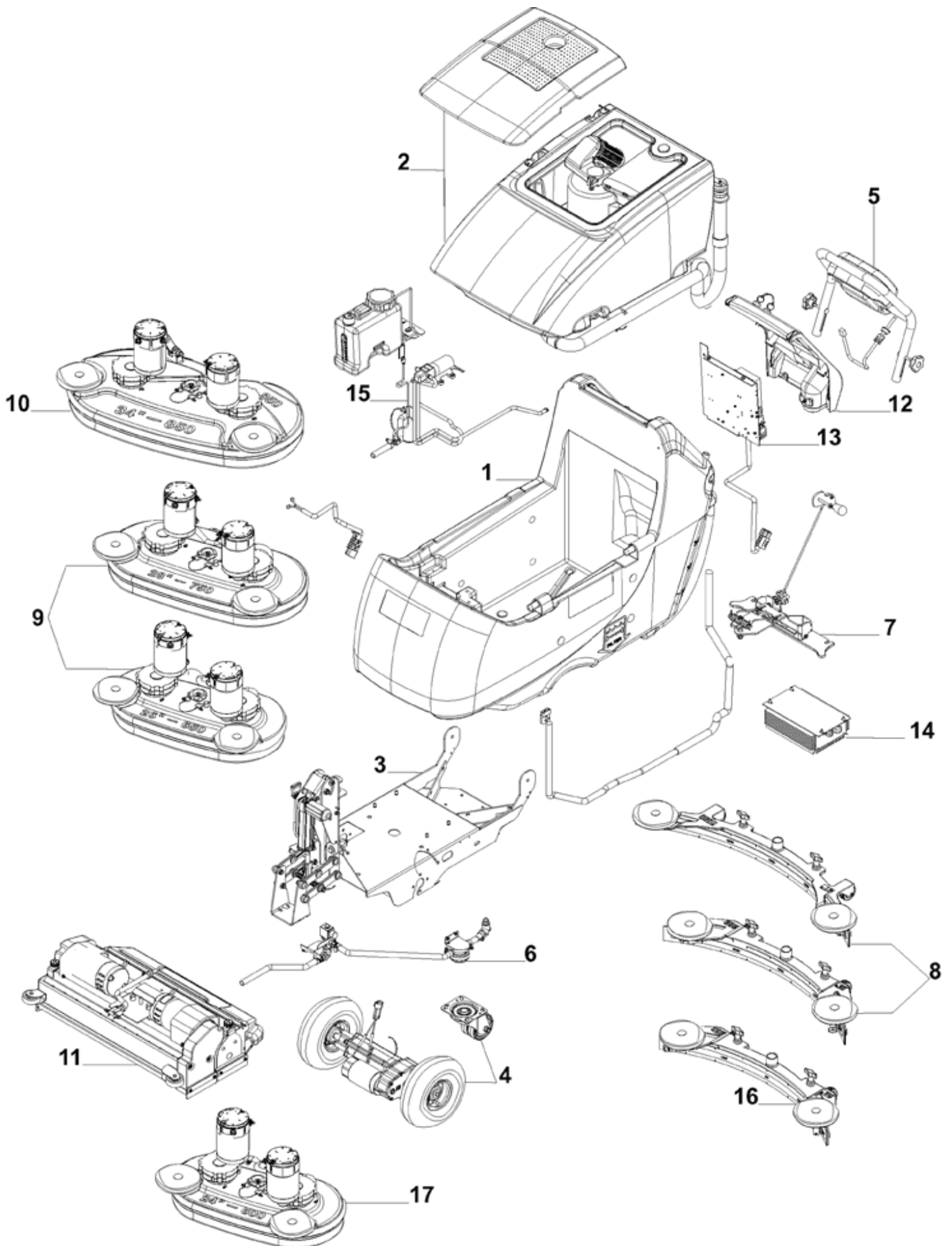
Ansicht allgemein

BA 651/BA751/BA751C/BA851

31-03-2015

ET-Liste-Nr. BA65100

3



Ansicht allgemein

BA 651/BA751/BA751C/BA851

31-03-2015

ET-Liste-Nr. BA65100

4

Pos	Artikelnr.	Me	Beschreibung
1		1	USE LINK SOLUTION TANK
2		1	USE LINK RECOVERY TANK
3		1	USE LINK CHASSIS SYSTEM
4		1	USE LINK WHEELS AND DRIVE
5		1	USE LINK HANDLE ASSEMBLY
6		1	USE LINK SOLUTION SYSTEM
7		1	USE LINK SQUEEGEE HOLDER
8		1	USE LINK SQUEEGEE SYSTEMS
9		1	USE LINK BRUSHES SYSTEMS BA 651 - BA 751
10		1	USE LINK BRUSHES SYSTEM BA 851
11		1	USE LINK CYLBRSHES SYSTEM
12		1	USE LINK CONTROL PANEL SYSTEM
13		1	USE LINK ELECTRICAL COMPONENTS
14		1	USE LINK BATTERY CHARGER
15		1	USE LINK ACCESSORIES - EDS SYSTEM
16		1	USE LINK ACCESSORIES - SQUEEGEE SYSTEM 840MM/33"
17		1	USE LINK ACCESSORIES - BRUSH DECK 600MM/24"

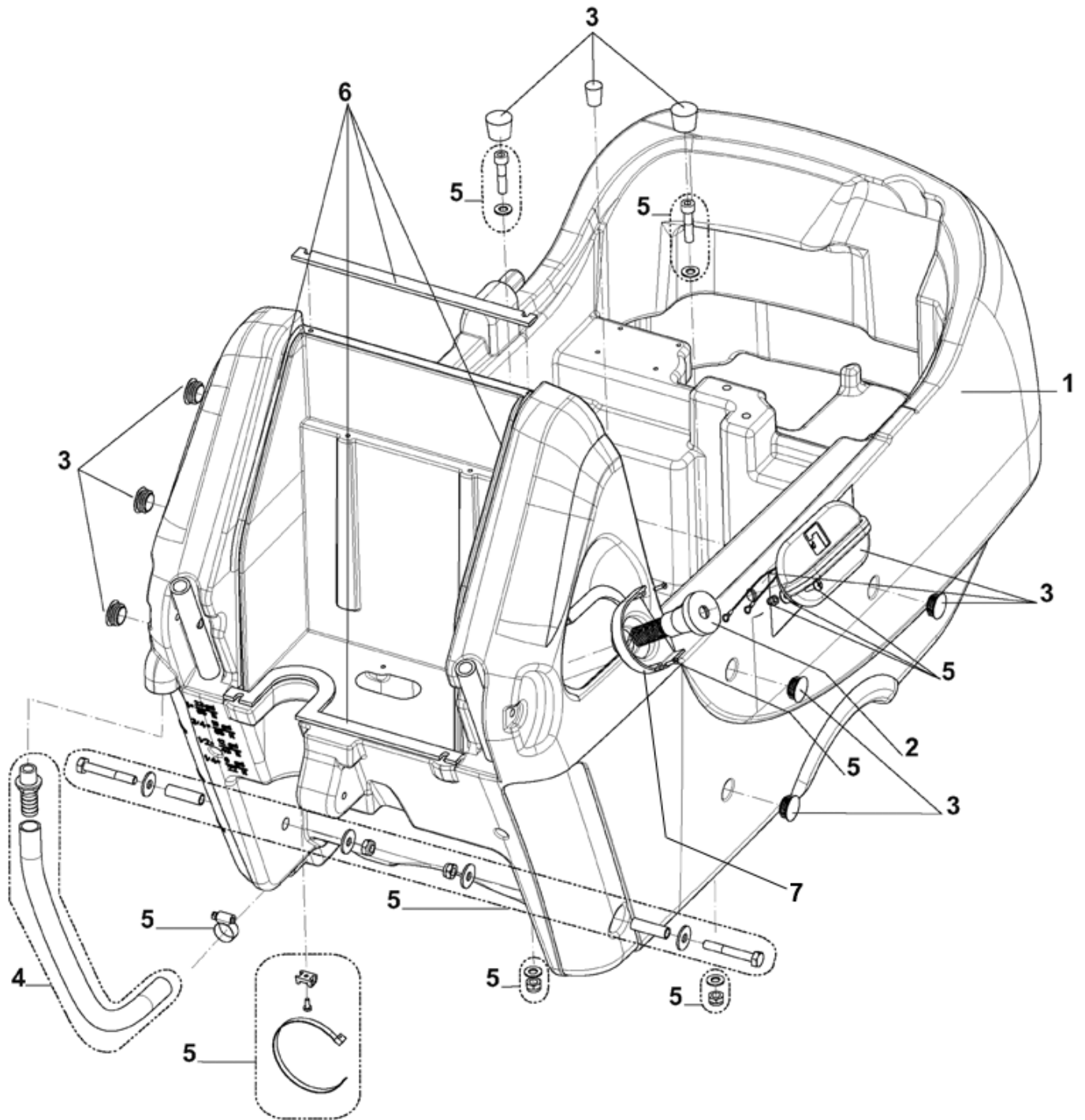
Frischwassertank

BA 651/BA751/BA751C/BA851

31-03-2015

ET-Liste-Nr. BA65101

5



Frischwassertank

BA 651/BA751/BA751C/BA851

31-03-2015

ET-Liste-Nr. BA65101

6

Pos	Artikelnr.	Me	Beschreibung
0	9098566000	1	Befestigungs - Kit TSB IT 2009-029-INST.INSTR.CODE 9098567000
1	9097202000	1	Tank 85 Liter
2	9100000703	1	Füllschlauch
3	9097616000	1	Verschlusskappen Kit
4	9097617000	1	Schlauchkit
5	9097614000	1	Befestigungskit Tank
6	9097615000	1	Dichtungssatz f. Tank
7	9097406000	1	SUPPORT HOSE FILLING

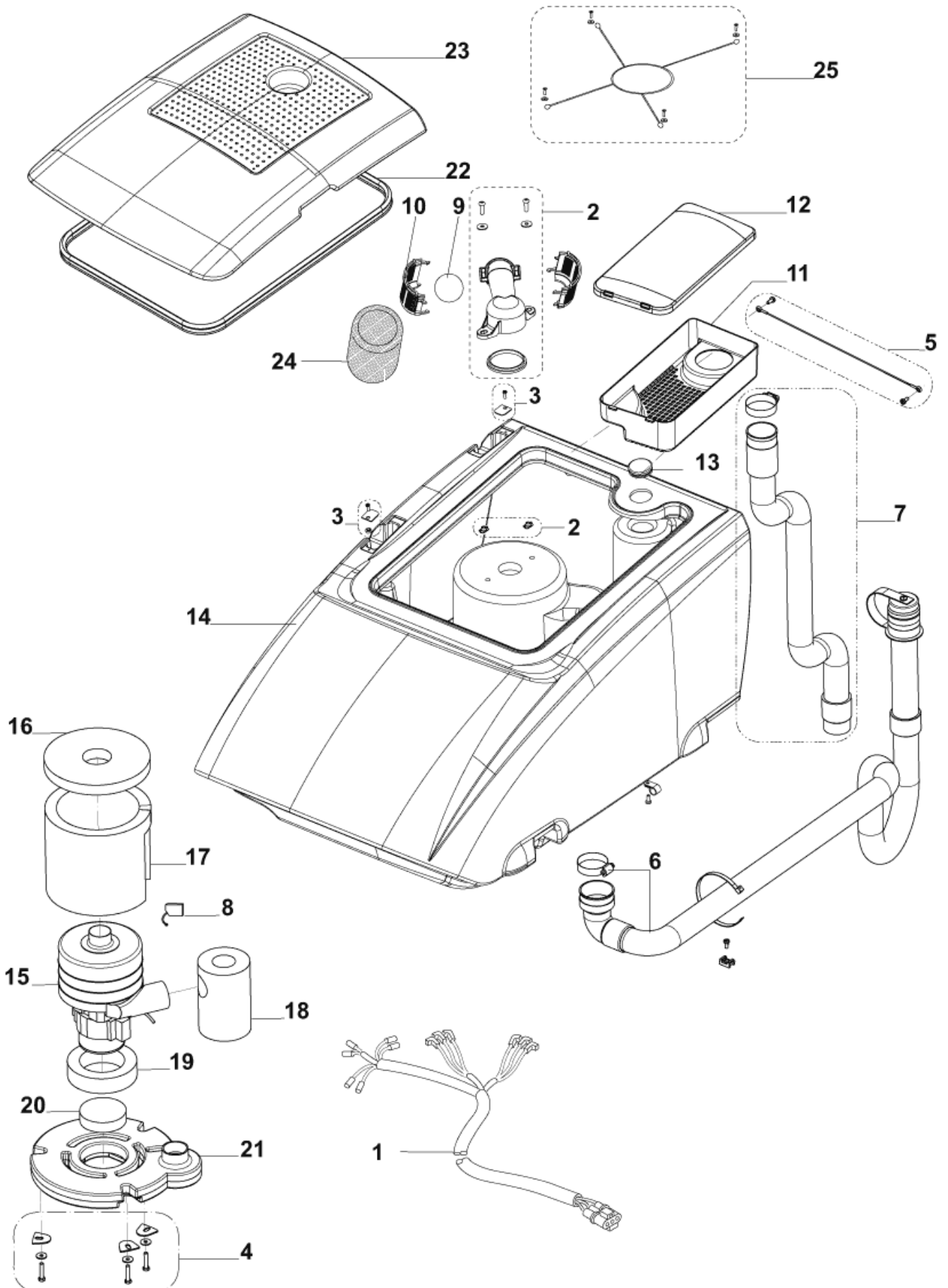
SCHMUTZWASSERTANK

BA 651/BA751/BA751C/BA851

31-03-2015

ET-Liste-Nr. BA65102

7



SCHMUTZWASSERTANK

BA 651/BA751/BA751C/BA851

31-03-2015

ET-Liste-Nr. BA65102

8

Pos	Artikelnr.	Me	Beschreibung	
0	909 6876 000	1	BefestigungsKit	FOR OLD CAGE SUPPORT
1	9097557000	1	Kabel f. Saugmotor	
2	9097681000	1	Schwimmerkorb-Kit	INST.INSTR.9097680000
3	9098714000	1	FIXING TANK KIT	
4	909 6877 000	1	Motor BefestigungsKit	
5	909 6874 000	1	CABLE TANK KIT	
6	9097618000	1	Ablassschlauch BA 751	
7	9099852000	1	Saugschlauch Kit	
8	9097653000	2	CARBON BRUSH	
9	L08812373	1	BALL FLOATING	
10	L08812259	2	CAGE,FLOAT CP	
11	9097384000	1	Tankfilter OberteilBA 751	
12	9097477000	1	COVER TANK FILTER	
14	9097203000	1	Schmutzwassertank	
15	9098455000	1	MOTOR VACUUM 3 STAGE 670W 24V KIT	INST.INSTR.9098456000
15	9099929000	1	Saugturbine 3ST 24V 420W	
16	9096918000	1	Dichtung f. Motor	
17	909 6491 000	1	PANEL,ACOUSTIC INSULATION	
18	909 6442 000	1	PIPE,ACOUSTIC INSULATION	
19	9097555000	1	Dichtung	
20	909 6672 000	1	FILTER	
21	909 6051 000	1	Abdeckhaube f. Motor	
22	146 0630 000	1	GASKET L=1800	
23	9097204000	1	Abdeckung f. Tank	
24	909 5065 000	1	FILTER ANTIFOAMING	TSBIT 2008-002 - OPTION
25	909 6734 000	1	Haltenetz	OPTION

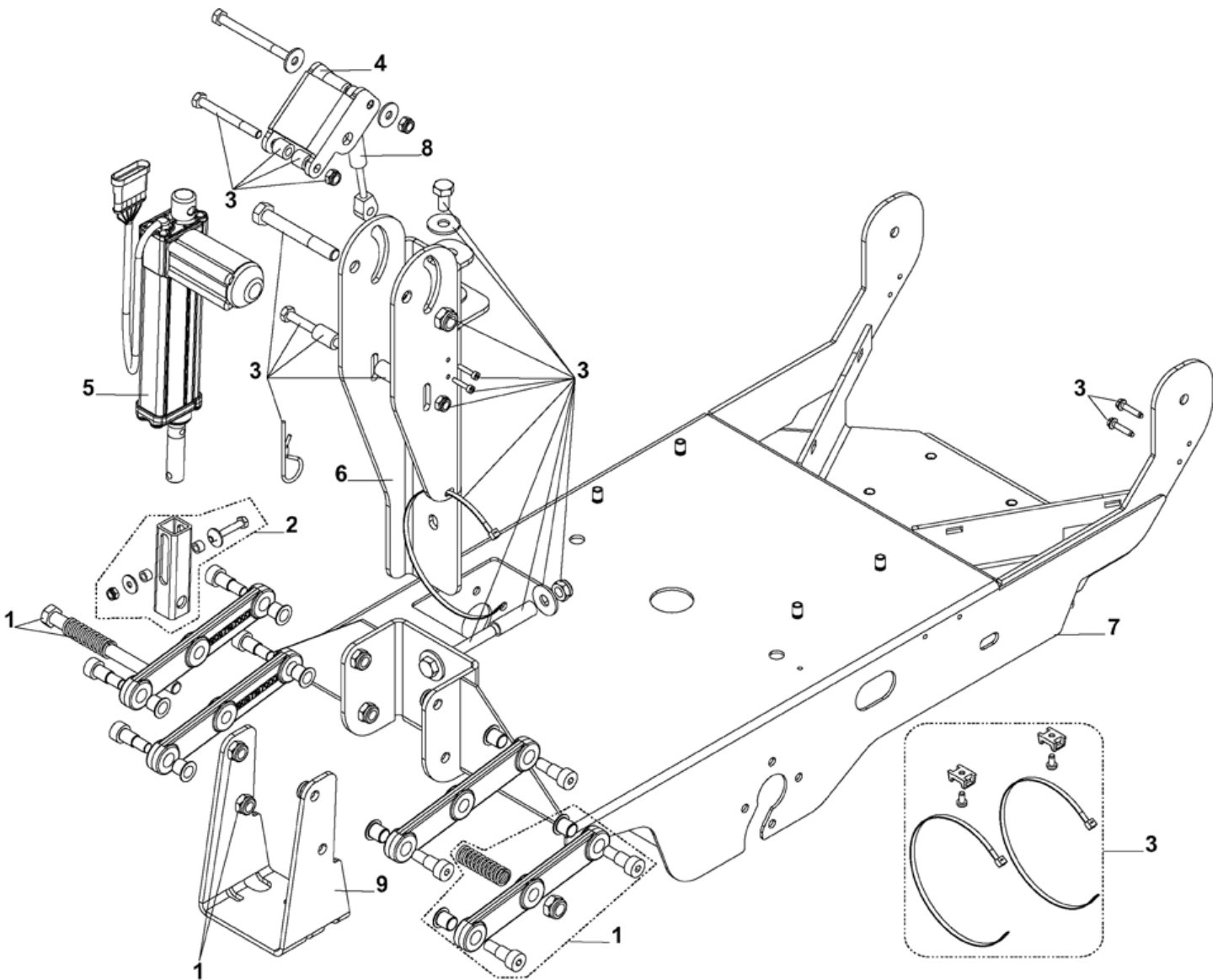
Chassis-System

BA 651/BA751/BA751C/BA851

31-03-2015

ET-Liste-Nr. BA65103

9



Chassis-System

BA 651/BA751/BA751C/BA851

31-03-2015

ET-Liste-Nr. BA65103

10

Pos	Artikelnr.	Me	Beschreibung
0	9098566000	1	Befestigungs - Kit INST.INSTR.9098567000
0	910000335	1	STRAP ANTISTATIC KIT
1	9097655000	4	Befestigung f. Hebel
2	9097656000	1	Motorbefestigung
3	9097657000	1	Chassis Befestigungskit
4	9097456000	1	Hebel
5	910000680	1	ACTUATOR LINEAR 24V DC STRK 100MM PKD
6	9097368000	1	Hubunterstützung
7	9097364000	1	Chasis zu BA 751
8	909 5637 000	1	Feder
9	9097352000	1	SUPPORT BRUSH DECK

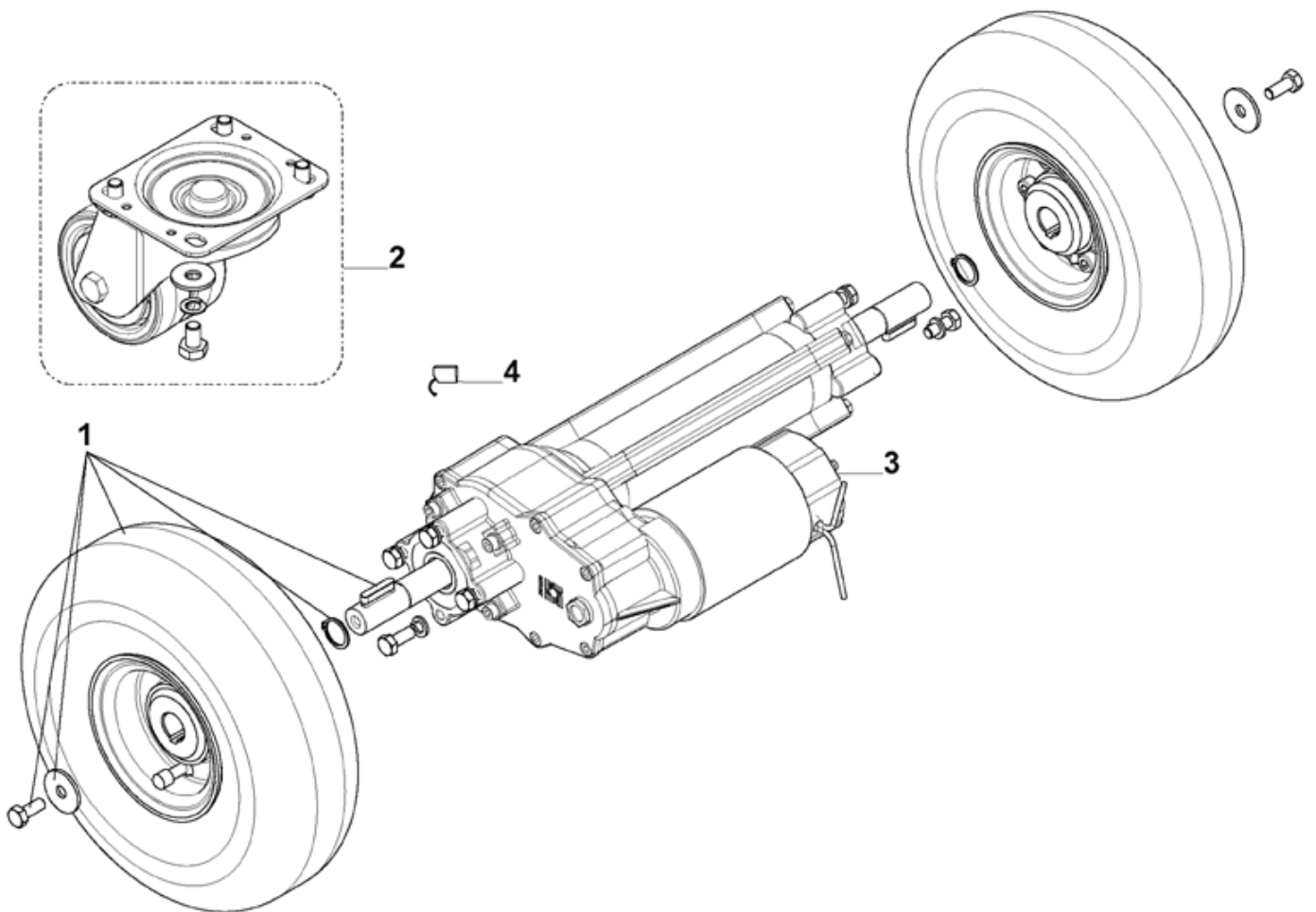
Wheels and drive

BA 651/BA751/BA751C/BA851

31-03-2015

ET-Liste-Nr. BA65104

11



Wheels and drive

BA 651/BA751/BA751C/BA851

31-03-2015

ET-Liste-Nr. BA65104

12

Pos	Artikelnr.	Me	Beschreibung	
0	909 5511 000	1	Schwenkrad BA 600S	OPTION - SINGLE WHEEL CASTOR
1	909 5512 000	1	Räder ölbeständig (Kit)zu BA 600 S	OPTION - TWO WHEELS INCLUDED
1	9097620000	2	WHEEL FRONT DRIVE KIT	ONE WHEEL INCLUDED ONLY
2	9097621000	1	Hinterrad Kit schwenkbarBA 851	HARDWARE INCLUDED
3	9097363000	1	MOTOR DRIVE 330W 24V	
4	1464434000	1	Kohlebürsten 2Stück	

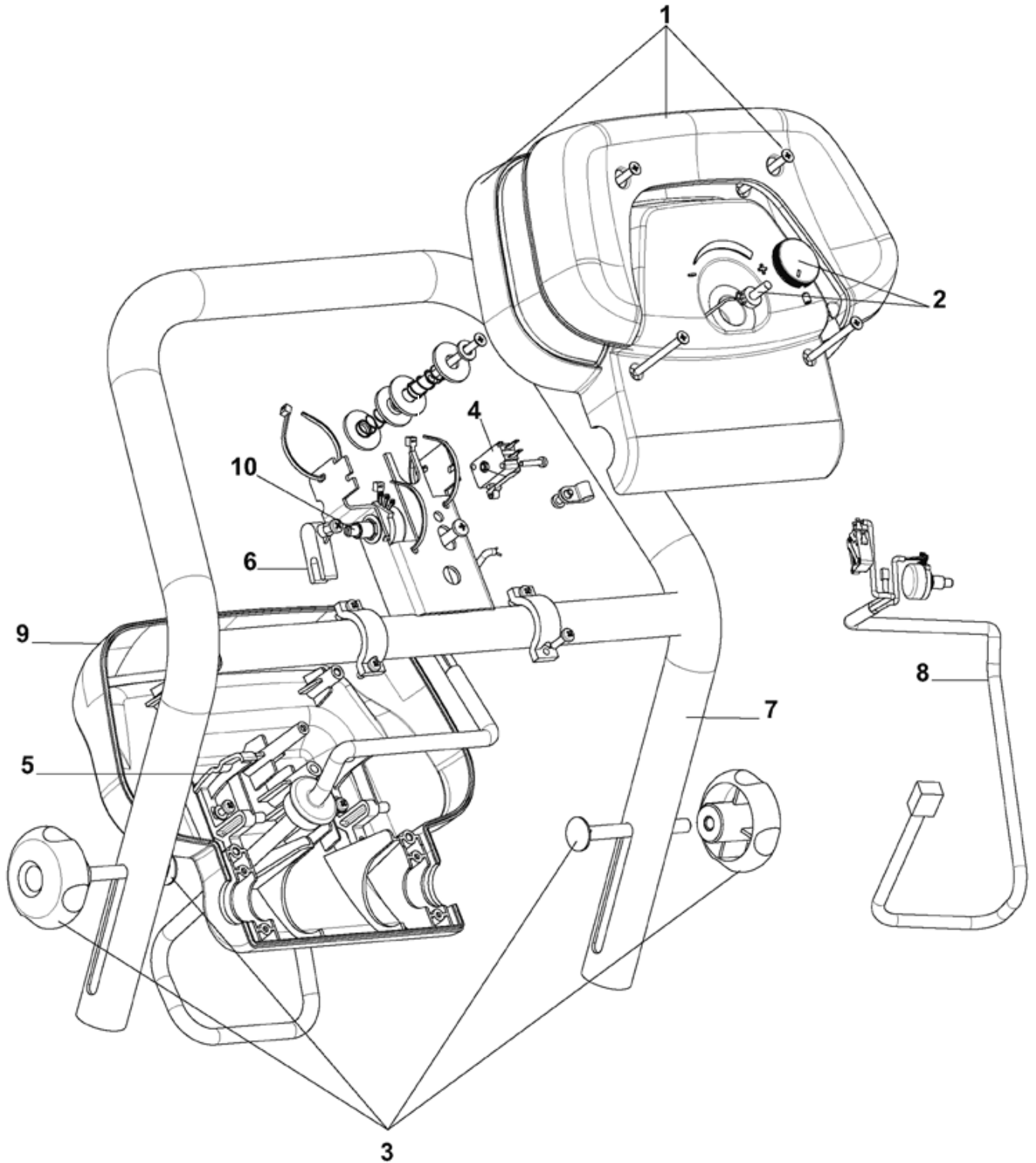
CHASSIS-SYSTEM BA430S/510S

BA 651/BA751/BA751C/BA851

31-03-2015

ET-Liste-Nr. BA65105

13



CHASSIS-SYSTEM BA430S/510S

BA 651/BA751/BA751C/BA851

31-03-2015

ET-Liste-Nr. BA65105

14

Pos	Artikelnr.	Me	Beschreibung	
0	909 6544 000	1	Verkabelung Potentiometerzu BA 451	
0	9097625000	1	Befestigungskit	
1	9097622000	1	Schaltergehäuse BA 611	
2	9097623000	1	POTENTIOMETER KIT	
3	9097624000	1	Handgriff Befestigungs-	
4	910000792	1	MICROSWITCH 16A 250V PKD	
5	L08812282	2	Nockensteuerung /Microschzu BA 650/S	
6	909 6038 000	1	Potentiometergestänge	
7	9097377000	1	Griff	
8	9100001014	1	HARNES HANDLE BAR DRIVE PKD	INCLUDE POS.4-10
9	9097622000	1	Schaltergehäuse BA 611	
9	9098792000	1	Gehäuseunterteil Kit	TSB IT 2010-60
10	56397029	1	Potentiometer 5K	

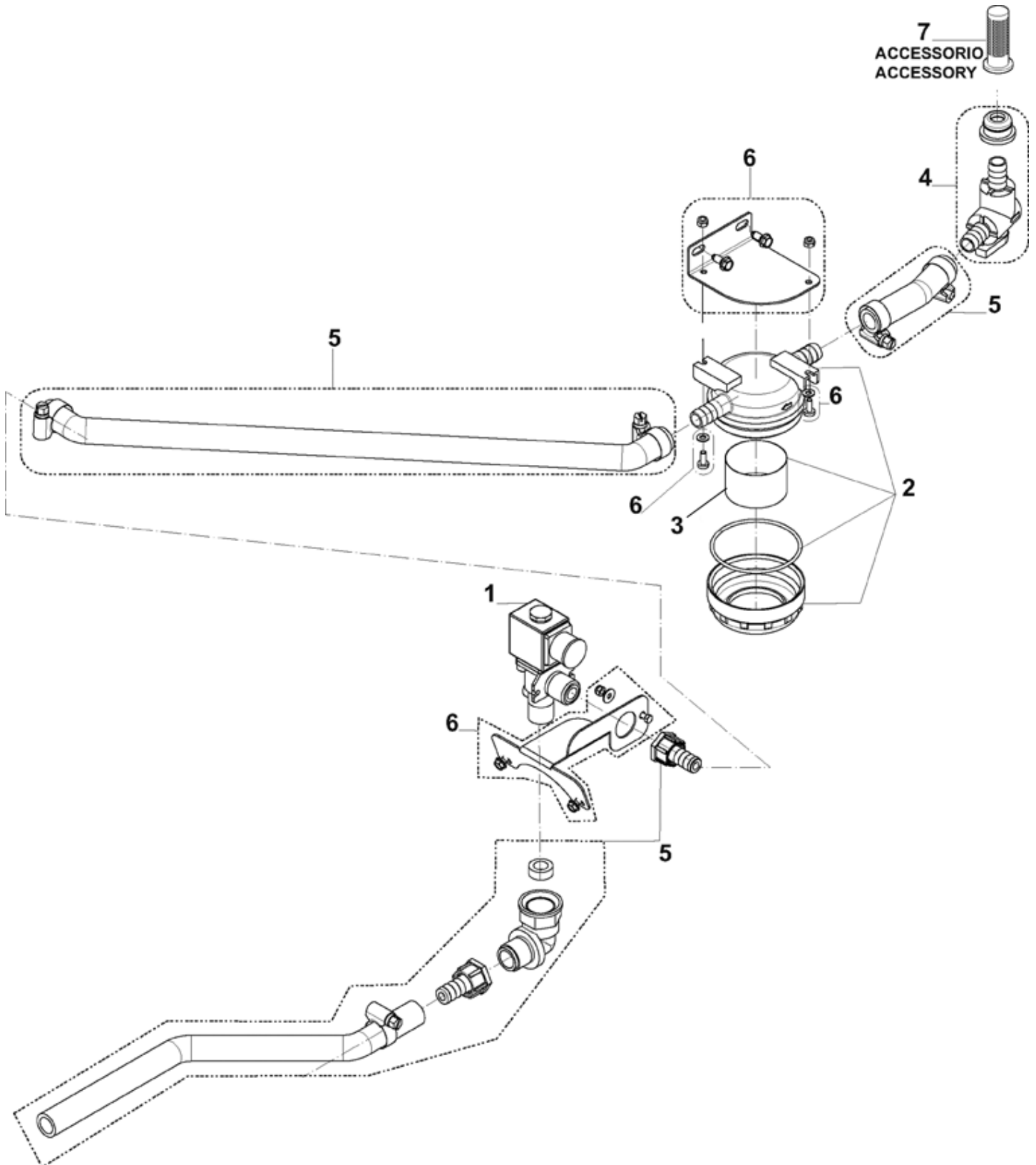
FRISCHWASSERSYSTEM

BA 651/BA751/BA751C/BA851

31-03-2015

ET-Liste-Nr. BA65106

15



FRISCHWASSERSYSTEM

BA 651/BA751/BA751C/BA851

31-03-2015

ET-Liste-Nr. BA65106

16

Pos	Artikelnr.	Me	Beschreibung
0	9099481000	1	NET WATER FILTER REINFORCED
1	909 6555 000	1	SOLENOID VALVE 24V
2	9100000362	1	FILTER WATER
3	9099481000	1	NET WATER FILTER REINFORCED
4	9097626000	1	VALVE ELBOW KIT
5	9097627000	1	Abwasserschlauch-Kit
6	9097628000	1	Halter-Kit Frischwaaser-
7	9096916000	1	FILTER SOLUTION TANK OPTION

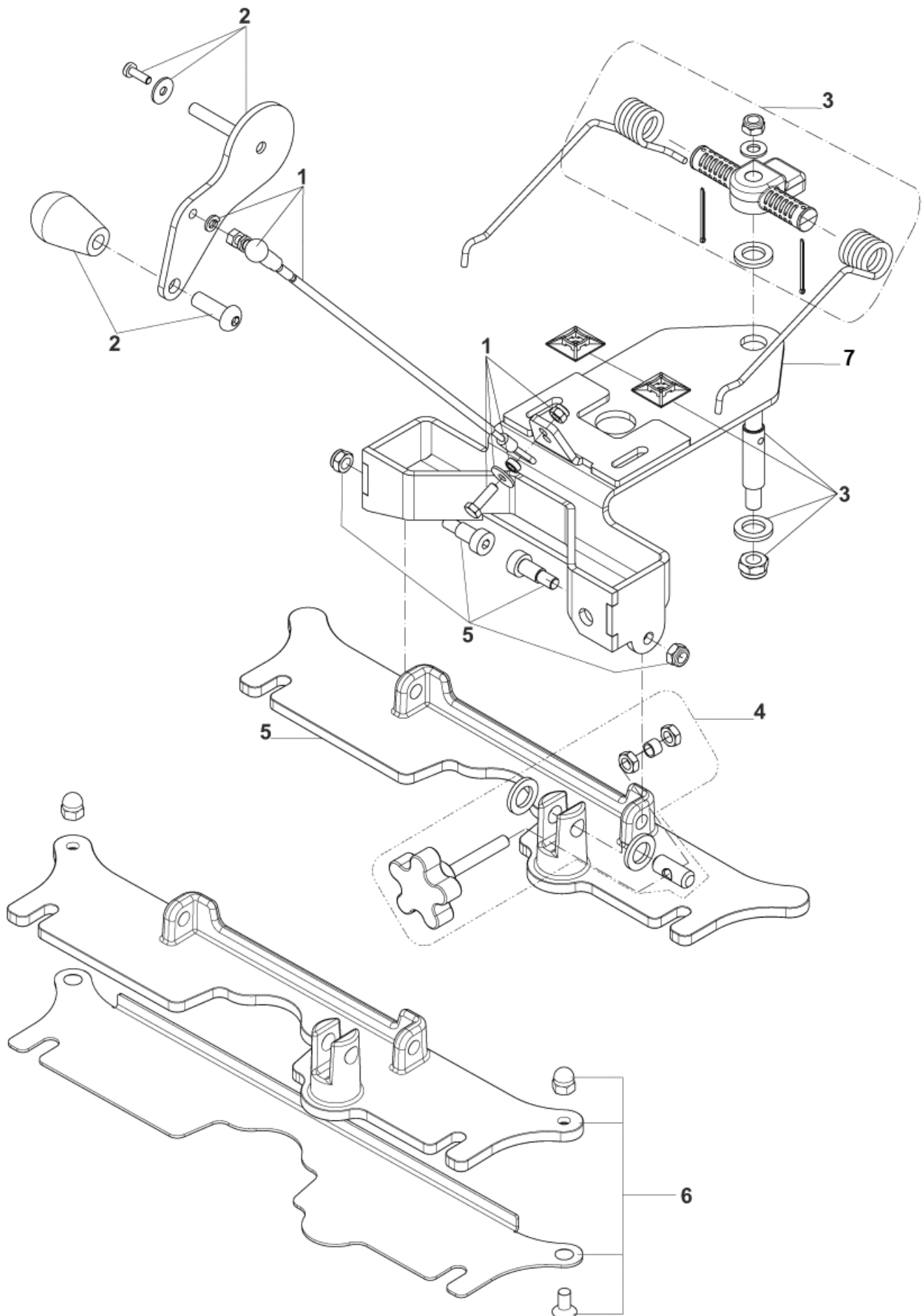
Squeegee holder

BA 651/BA751/BA751C/BA851

31-03-2015

ET-Liste-Nr. BA65107

17



Squeegee holder

BA 651/BA751/BA751C/BA851

31-03-2015

ET-Liste-Nr. BA65107

18

Pos	Artikelnr.	Me	Beschreibung
1	9097629000	1	SQUEEGEE LIFTING KIT
2	9097630000	1	Hebel Saugfussanhebung zu BA 451
3	9097631000	1	HARDWARE SQUEEGEE KIT
4	9097632000	1	Befestigungs-Kit
5	9097633000	1	Befestigung Sauglippe KIT
6	9098912000	1	Aufnahme f. Absaugleiste BA 851 STARTING F.S/N 104824209-TSB IT 2010-062
7	9097371000	1	Anschlussplatte

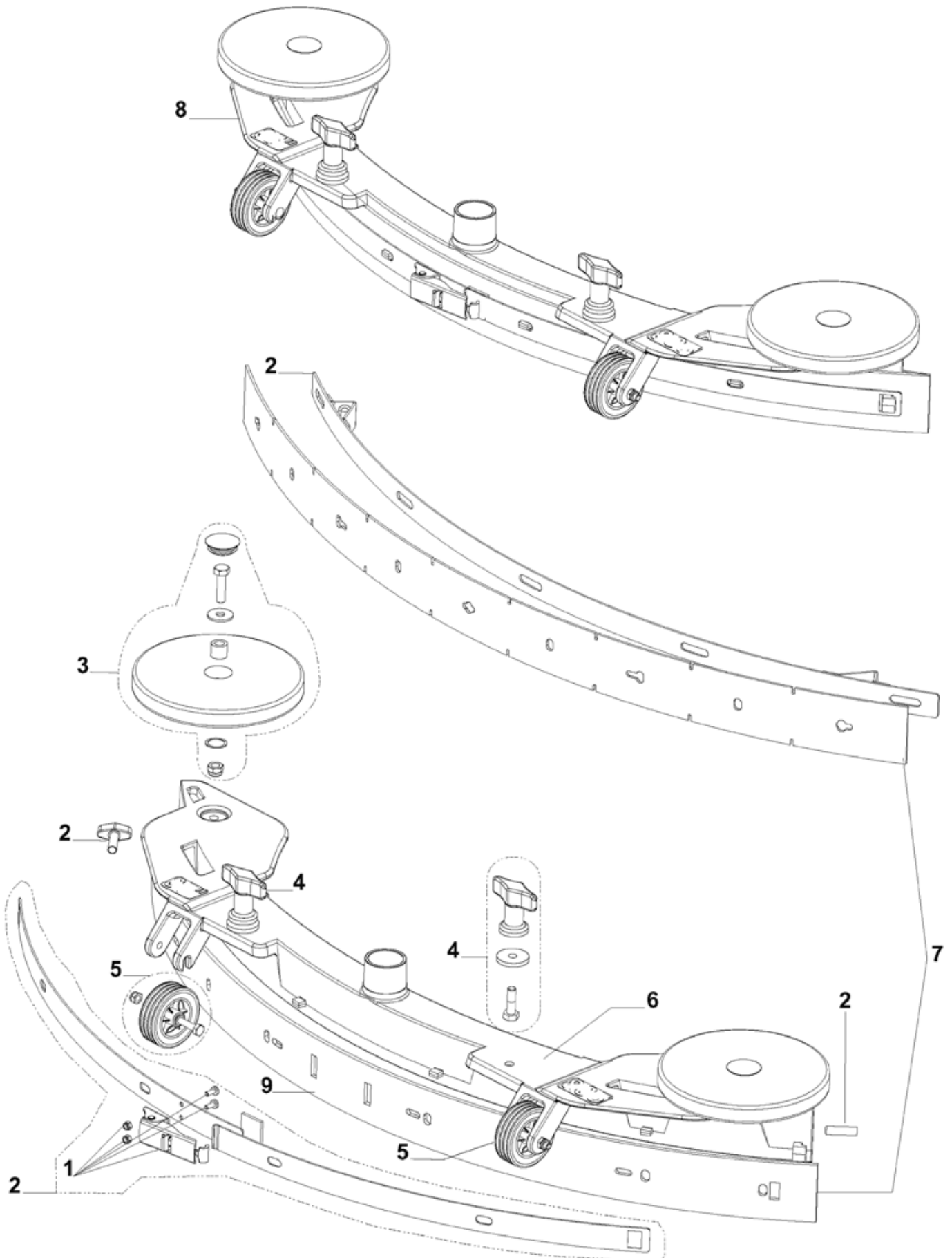
Squeegee systems

BA 651/BA751/BA751C/BA851

31-03-2015

ET-Liste-Nr. BA65108

19



Squeegee systems

BA 651/BA751/BA751C/BA851

31-03-2015

ET-Liste-Nr. BA65108

20

Pos	Artikelnr.	Me	Beschreibung
1	909 6394 000	1	LATCH SQUEEGEE KIT
2	9097635000	1	BefestigungsKit f.
2	9097636000	1	BefestigungsKit f.
3	909 6887 000	2	Abweisrollenkit
4	9097637000	1	SQUEEGEE FIXING KIT
5	909 6883 000	1	WHEELS SQUEEGEE KIT
6	9097199000	1	Absaugleistenkit 890mm
6	9097200000	1	Rohlink Absaugleiste
7	9100000281	1	Sauglippen,n. markier. 89 cm/35, 2 Stück
7	9100000282	1	Sauglippenkit nicht markierend 1040mm/41
8	9097540000	1	Absaugleiste kpl. ALU 890mm/35"
8	9097541000	1	Absaugleiste kpl. Alu.
9	9097372000	1	Sauglippe hinten, Gummi

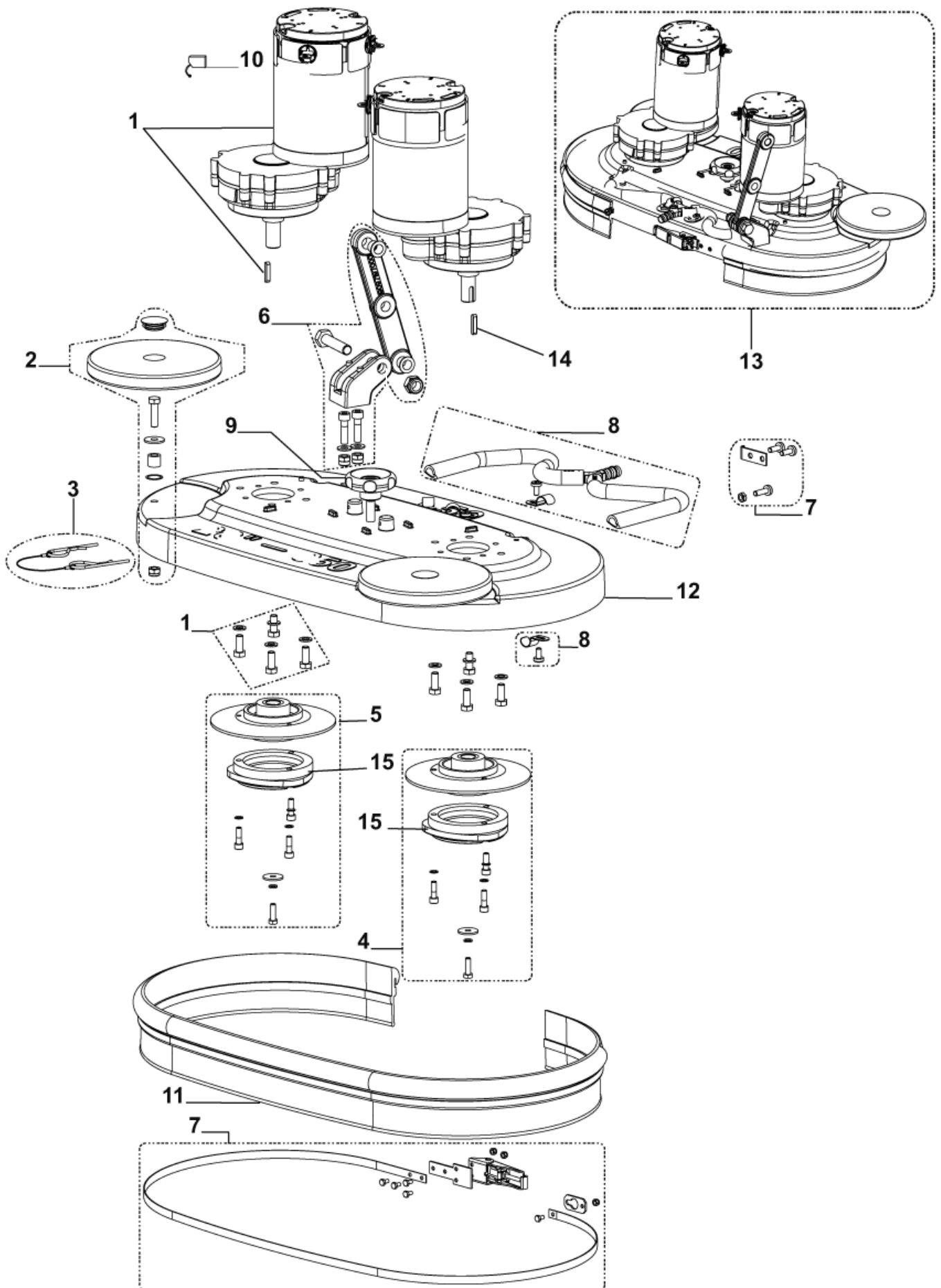
Bürstensystem - BA 651 - BA 751

BA 651/BA751/BA751C/BA851

31-03-2015

ET-Liste-Nr. BA65109

21



Bürstensystem - BA 651 - BA 751

BA 651/BA751/BA751C/BA851

31-03-2015

ET-Liste-Nr. BA65109

22

Pos	Artikelnr.	Me	Beschreibung	
0	9097410000	1	Kabelbaum	
1	9099546000	2	Bürstenmotor 24V 400W	
2	909 6887 000	2	Abweisrollenkit	
3	909 6354 000	1	Splint Set	
4	9097639000	1	HOLDER POLYGONAL LEFT 650-750-850MM/26-	
5	9097640000	1	HOLDER POLYGONAL RIGHT 650-750-850MM/26	
6	9097641000	1	Befestigungskit	
7	909 5398 000	1	Spritzgummihalterungs-KitBA 600S / BA 65	BA 651
7	909 5407 000	1	Spritzgummihalterungs-KitBA 750S	BA 751
8	9097644000	1	Schlauch	
8	9097645000	1	Wasserschlauch	
9	146 1037 000	1	Drehknopf	
10	909 5380 000	1	Kohlebürste KIT	FOR LEROY SOMER - REF. 9097638000
10	9098376000	2	CARBON BRUSHES KIT 4 PCS	FOR AMER - REF. 9099546000
11	909 5224 000	1	Schmutzfänger - DECK 650MM/26"	
11	909 5345 000	1	Spritzgummi BA 750L=1600mm	
11	9097474000	1	Spritzschutz	
11	9097475000	1	SPLASH GUARD W/BRISTLES	
12	9099414000	1	DECK BRUSH 650MM	
12	9099415000	1	DECK BRUSH 750MM	
13	9097610000	1	DECK BRUSH 650MM/26 KIT	INST.INSTR.9097695000
13	9097611000	1	Bürstendeck 750mm / 28 -zu BA 751	INST.INSTR.9097695000
14	1466146000	2	KEY 5X5X25 UNI6604A PKD	
15	L08812480	2	HUB,BRUSH	

Pos.10: 909 5380 000, before serial number 3510124902357

pos.1: 9099546000 starting from serial number 3510124902357

Bürstensystem - BA 851

BA 651/BA751/BA751C/BA851

31-03-2015

ET-Liste-Nr. BA65110

24

Pos	Artikelnr.	Me	Beschreibung	
0	9097410000	1	Kabelbaum	
1	9100000309	2	REDUCTION GEARMOTOR 400W 24V KIT	
2	909 6887 000	2	Abweisrollenkit	
3	909 6354 000	1	Splint Set	
4	9097639000	1	HOLDER POLYGONAL LEFT 650-750-850MM/26-	
5	9097640000	1	HOLDER POLYGONAL RIGHT 650-750-850MM/26	
6	9097642000	1	LEVER FIXING KIT 850	
7	9097643000	1	SPLASH GUARD FIXING KIT	
8	9097646000	1	Frischwasserschlauchkit	
9	146 1037 000	1	Drehknopf	
10	909 5380 000	2	Kohlebürste KIT	FOR MOTOR 9097638000
10	9100000421	2	CARBON BRUSHES W/HOLDER KIT	FOR MOTOR 9100000309
11	9097471000	1	SPLASH GUARD DECK 850MM/34"	
11	9097476000	1	Spritzschutz	
12	9097201000	1	Bürstenabdeckung	
13	9097612000	1	Bürstendeck 850mm	INST.INSTR.9097695000
14	1466147000	2	KEY 5X5X20 UNI6604A PKD	
15	L08812480	2	HUB,BRUSH	

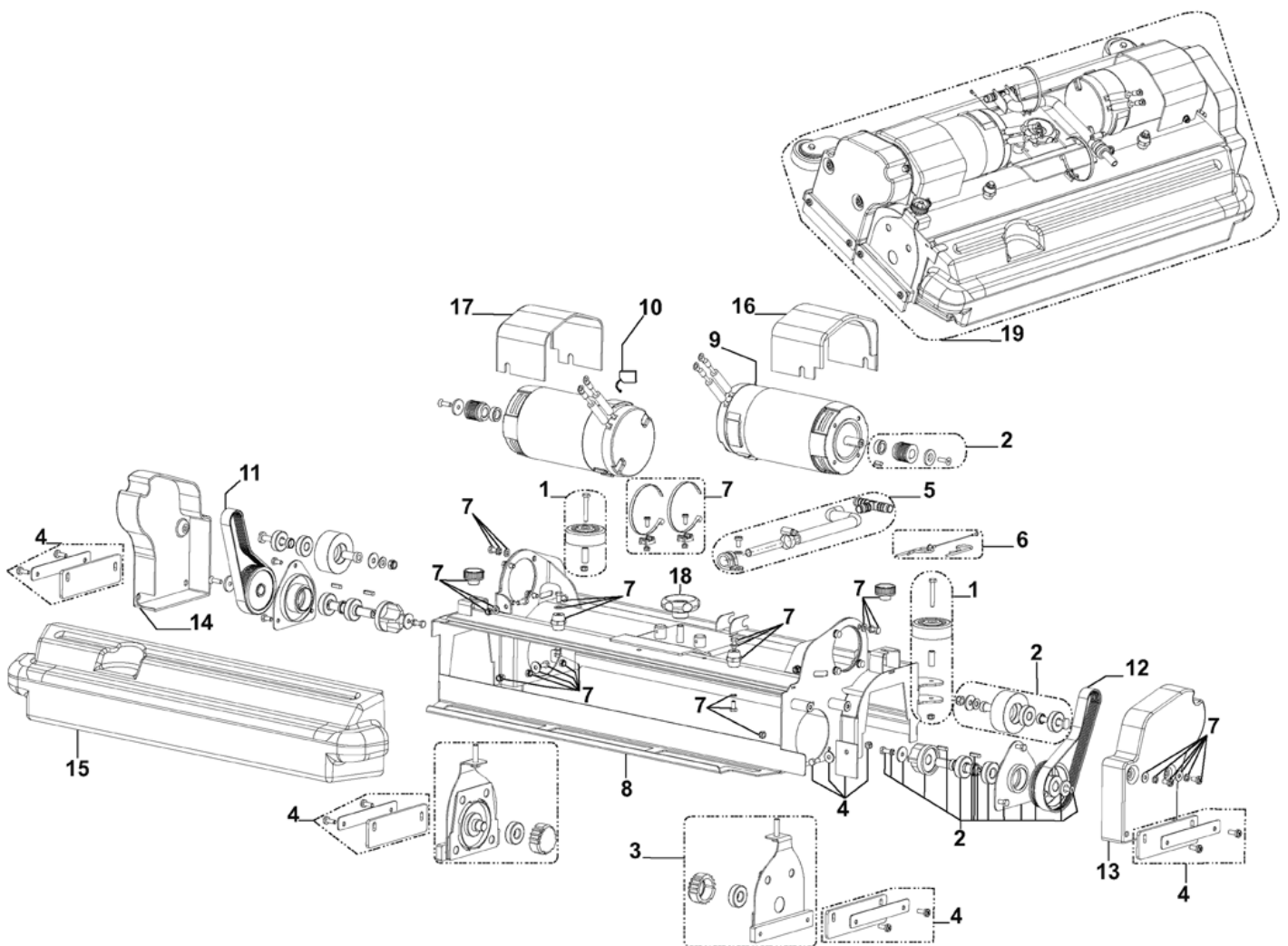
Cylindrical brushes system

BA 651/BA751/BA751C/BA851

31-03-2015

ET-Liste-Nr. BA65111

25



Cylindrical brushes system

BA 651/BA751/BA751C/BA851

31-03-2015

ET-Liste-Nr. BA65111

26

Pos	Artikelnr.	Me	Beschreibung	
0	9097472000	1	HARNESS CYLINDRICAL BRUSHDECK	
1	9098488000	1	ROLLERS BUMPERS KIT	
2	9097658000	2	Riemenrollenkit	
3	9097659000	2	Bürstenhalter SET	
4	9097660000	1	Schmutzfänger KIT	
5	9097661000	1	HOSE WATER KIT	
6	909 6354 000	1	Splint Set	
7	9097662000	1	Befestigungs-Kit	
8	909 5751 000	1	FRAME CYLINDRICAL DECK 750	
9	9099858000	2	MOTOR ELECTRIC 600W 24V KIT	
10	L08603949	2	Kohlebürste SET STÜCK	
11	909 6731 000	1	Keilriemen	
12	909 5761 000	1	Keilriemen	
13	909 6785 000	1	CRANKCASE.BELT PROTECTIONRIGHT	
14	909 6786 000	1	CRANKCASE.BELT PROTECTIONLEFT	
15	909 6225 000	1	Grobschmutzbehälter BR751	
16	909 5802 000	1	Motorabdeckung BR 751	
17	909 5803 000	1	Motorschutzgehäuse	
18	146 1037 000	1	Drehknopf	
19	9097652000	1	Bürstenabdeckung 750MM/28" CYL KIT	INST.INSTR.9097695000-COMPLEXITY REDUCTION

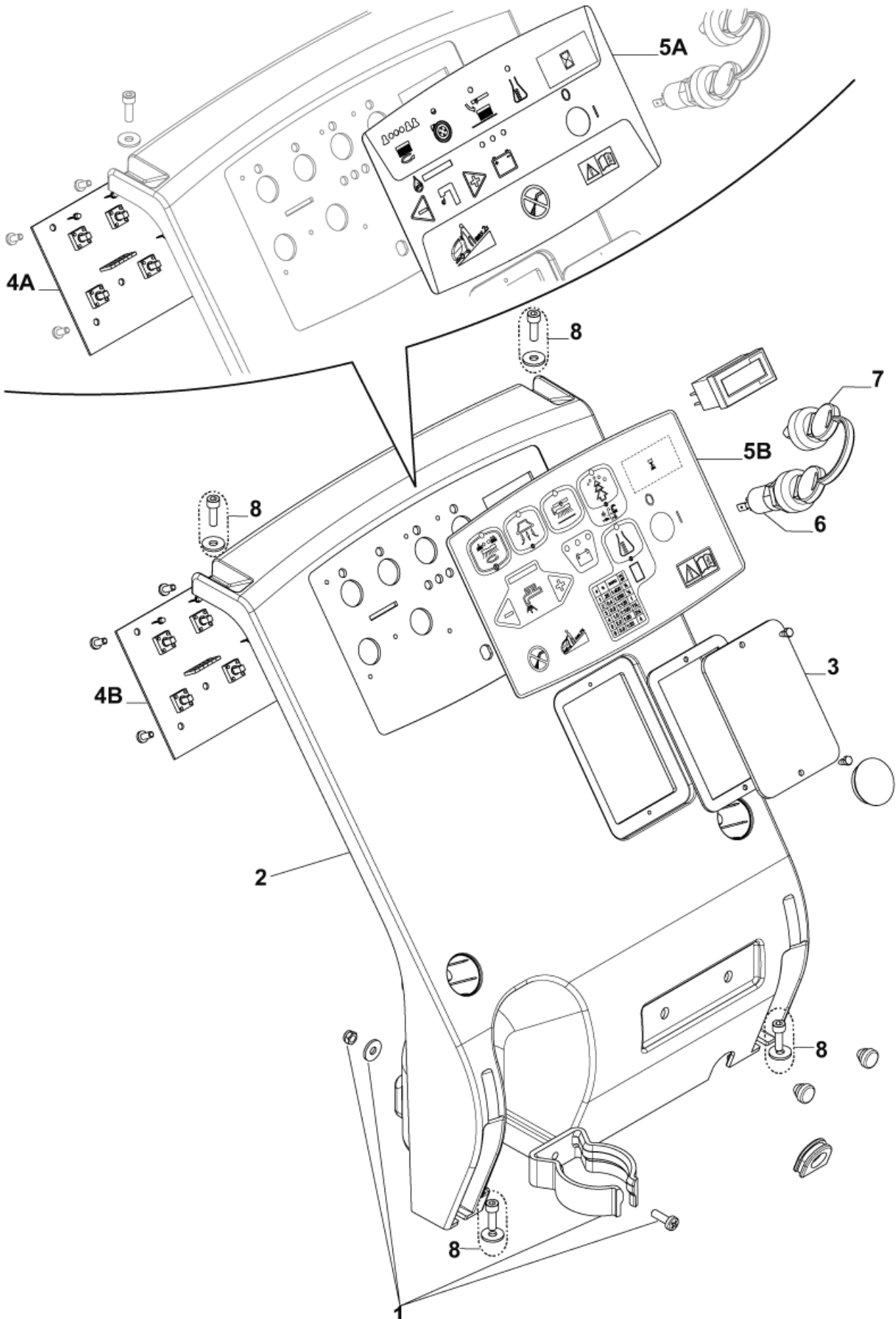
Control panel system

BA 651/BA751/BA751C/BA851

31-03-2015

ET-Liste-Nr. BA65112

27



Control panel system

BA 651/BA751/BA751C/BA851

31-03-2015

ET-Liste-Nr. BA65112

28

Pos	Artikelnr.	Me	Beschreibung	
0	9097403000	1	HARNESS KEY	
1	909 6380 000	1	BefestigungsKit	
2	9098632000	1	Abdeckung	
3	9100001065	1	COVER F INSPECTION PLATE BLACK PKD	
6	146 2888 000	1	Schlüsselschalter	
7	146 2887 000	1	KEY (2 PCS)	
8	9098302000	1	Bedienkonsolenkit	
4A	9100000177	1	CARD ELECTRONIC FUNCTIONS KIT	UNTIL MAY 2010
4B	9100000180	1	CARD ELECTRONIC FUNCTIONS KIT	FROM JUNE 2010
5A	9097382000	1	Kleber Panel	DISC MODELS UNTIL MAY 2010
5A	9097479000	1	Kleber Systemsteuerung	CYL. MODEL UNTIL MAY 2010
5B	9100001244	1	DECAL CONTROL PANEL ECOFLEX PKD	DISC MODELS FROM JUNE 2010
5B	9100001245	1	DECAL CONTROL PANEL ECOFLEX PKD	CYL. MODEL FROM JUNE 2010
NI		1	Aufkleber Ecoflex BA 751	
NI		1	Aufkleber Ecoflex BA 751C	
NI		1	AUFKLEBER NILFISK BA851 ECOFLEX	
NI		1	Aufkleber Ecoflex BA 651	
NI		1	DECAL NILFISK BA 551D ECOFLEX	
NI		1	DECAL NILFISK BA 611D ECOFLEX	
NI		1	DECAL NILFISK BA 531D ECOFLEX	
NI		1	DECAL NILFISK BA 451D ECOFLEX	

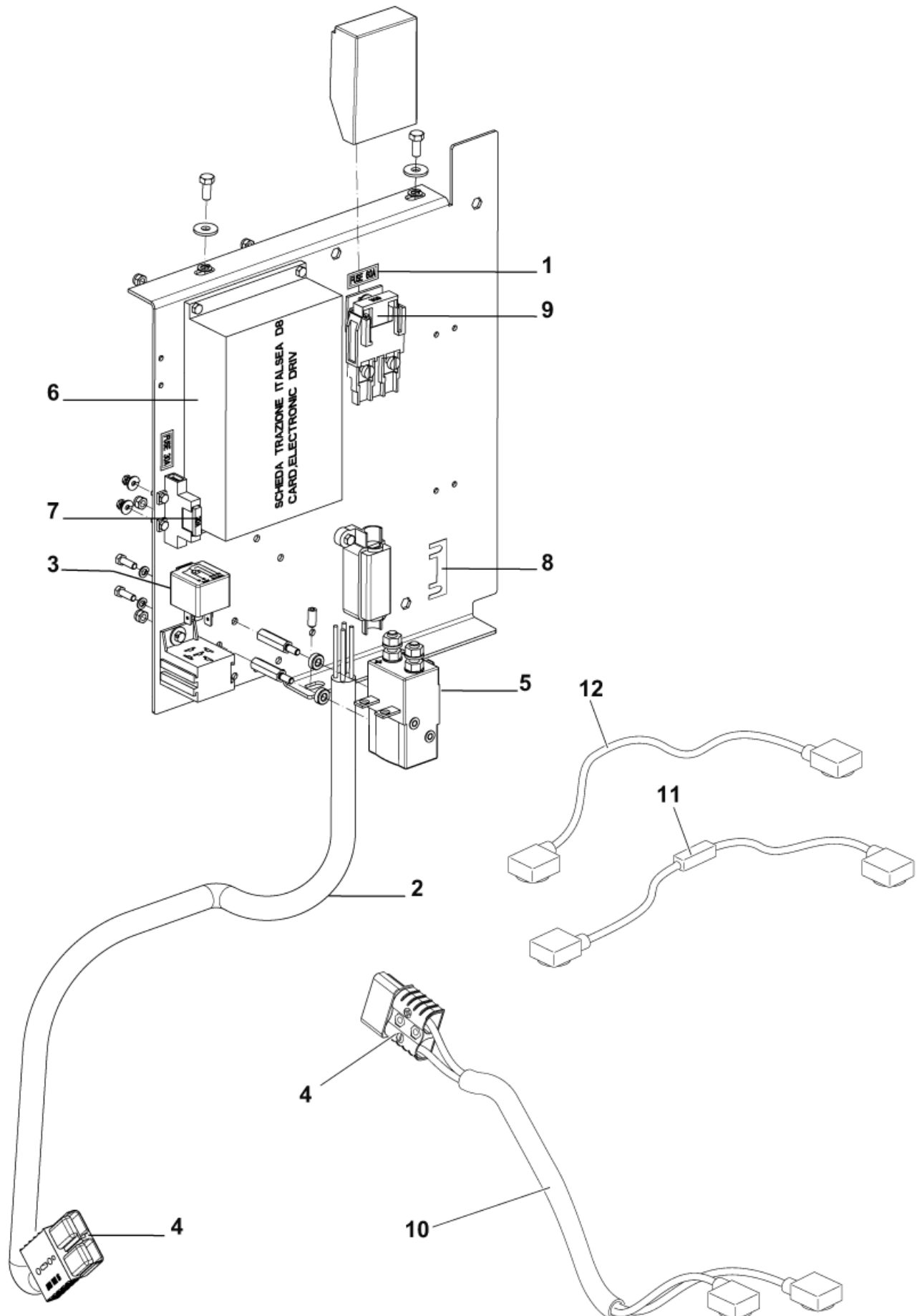
Elektrokomponenten

BA 651/BA751/BA751C/BA851

31-03-2015

ET-Liste-Nr. BA65113

29



Elektrokomponenten

BA 651/BA751/BA751C/BA851

31-03-2015

ET-Liste-Nr. BA65113

30

Pos	Artikelnr.	Me	Beschreibung
0	9097407000	1	Kabelbaum
0	9097410000	1	Kabelbaum
0	9097472000	1	HARNESS CYLINDRICAL BRUSHDECK
0	L08812670	4	Batteriev erspannung
1	9097650000	1	Dekor-Kit EDS
2	9097408000	1	Kabelbaum
3	909 6622 000	1	RELAY 24V 40A
4	9098762000	2	Stecker 120A ROT
5	909 5127 000	1	SWITCH ELECTROMAGNETIC
6	9100000189	1	CARD ELECTRONIC TRACTION KIT
7	145 8513 000	1	Sicherung 30A
8	145 9854 000	1	Sicherung 50A
9	909 6218 000	1	Sicherung 60A
10	909 6125 000	1	HARNESS BATTERY
11	9098526000	1	Bastteriekabel
12	9097590000	1	Batteriev erbindungskabel

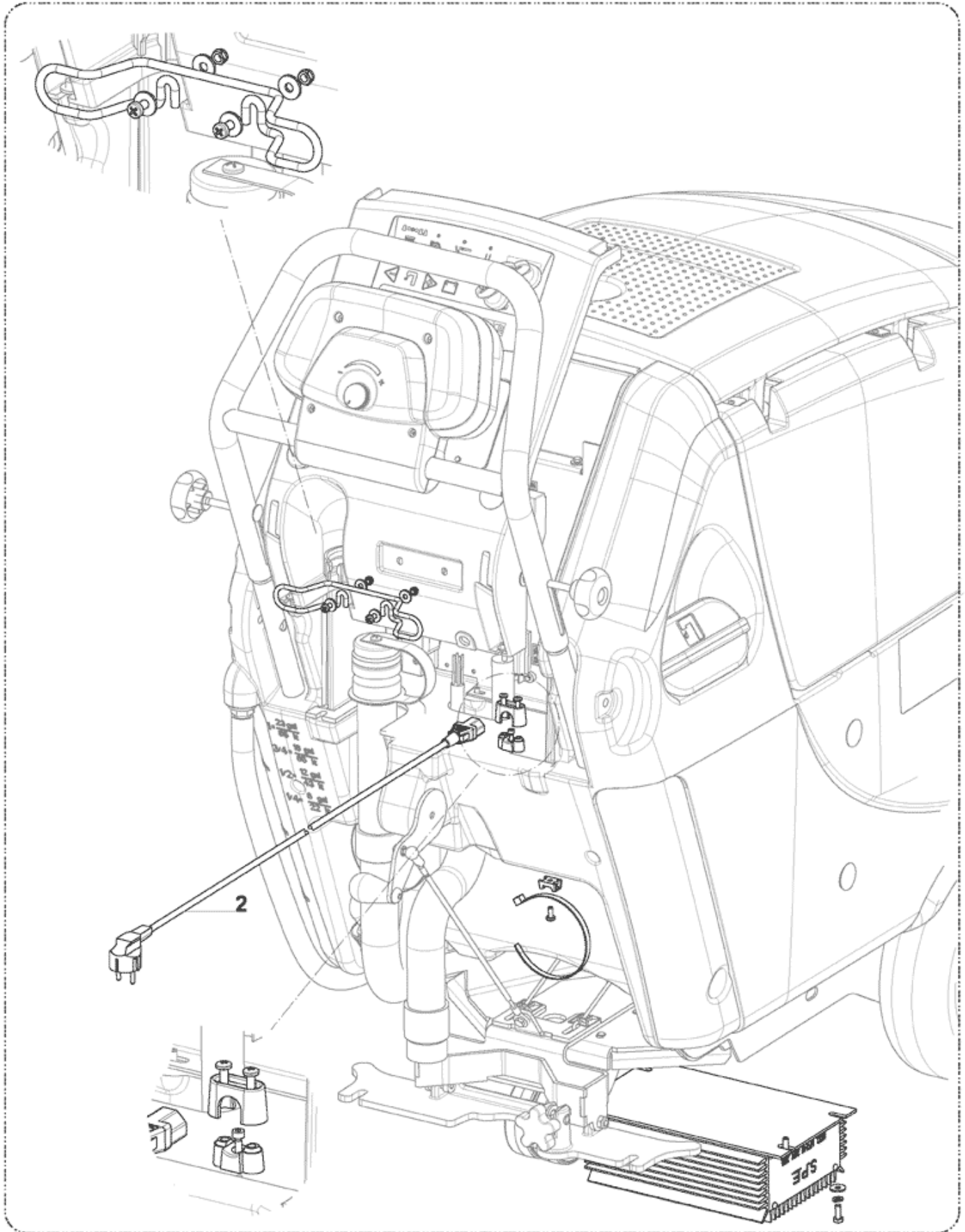
Batterieladegerät

BA 651/BA751/BA751C/BA851

31-03-2015

ET-Liste-Nr. BA65114

31



Batterieladegerät

BA 651/BA751/BA751C/BA851

31-03-2015

ET-Liste-Nr. BA65114

32

Pos	Artikelnr.	Me	Beschreibung	
0	9099679000	1	Ladegerät 24V 25A	SEE TSB IT 2012-088
1	9097597000	1	Batterieladegerät CPL KIT 24V 25A	INST.INSTR.9097598000
2	909 5676 000	1	Kabel Ex. Plug	
2	9100000790	1	CABLE EXTENSION EU PLUG L.1000 PKD	

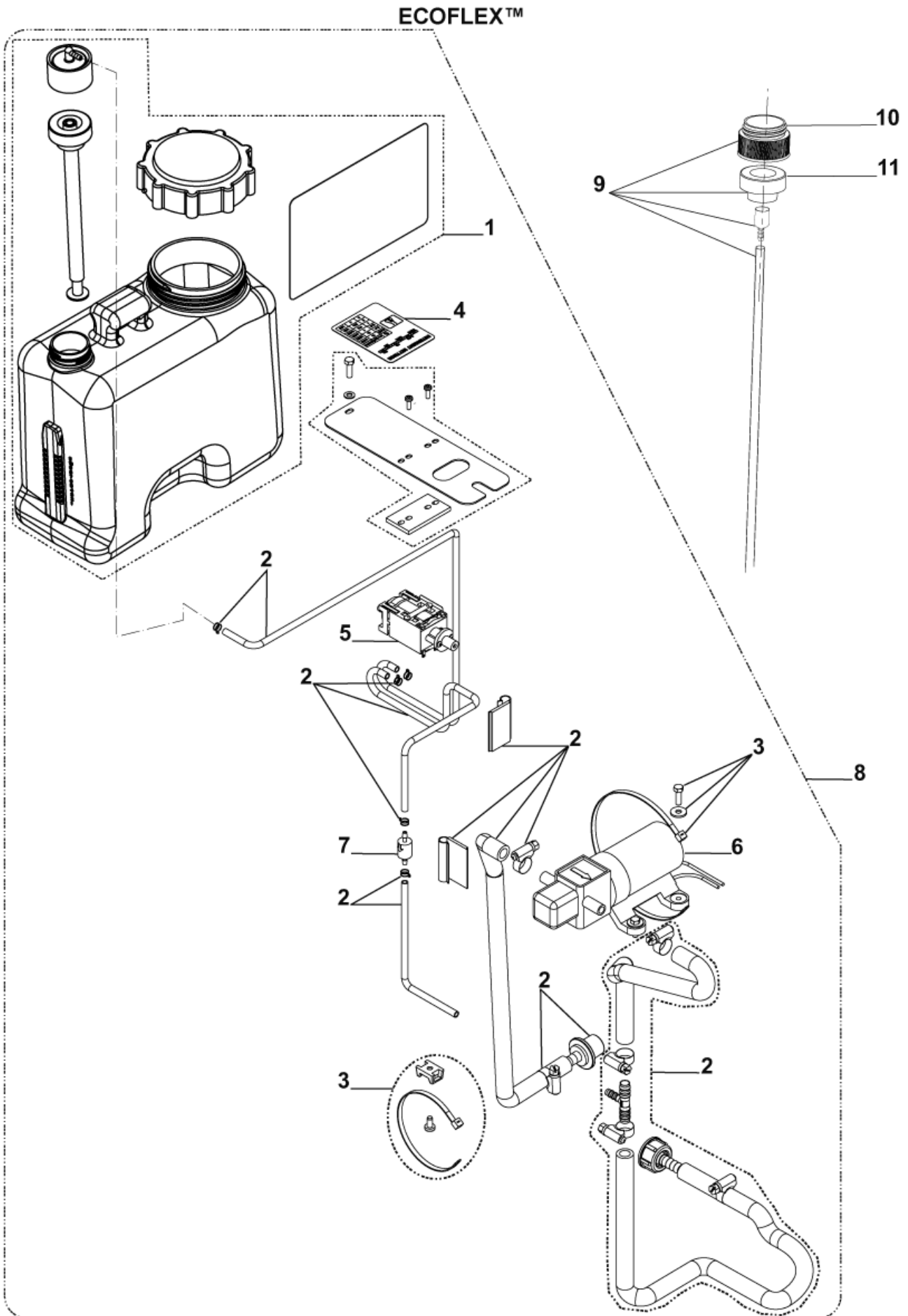
Accessory - EcoFlex system

BA 651/BA751/BA751C/BA851

31-03-2015

ET-Liste-Nr. BA65115

33



Accessory - EcoFlex system

BA 651/BA751/BA751C/BA851

31-03-2015

ET-Liste-Nr. BA65115

34

Pos	Artikelnr.	Me	Beschreibung
0	9097412000	1	Kabel f. Chemie System
1	909 6903 000	1	EDS Behälter nachfüllbarBA 611
2	9097678000	1	HOSES EDS SYSTEM KIT
3	9097679000	1	BefestigungsKit
4	909 6592 000	1	DECAL DETERGENT ADJUST.
5	909 6183 000	1	EDS Pumpe BA551D/ BA611D
6	56315108	1	Wasserpumpe 24 V EDS
7	56315522	1	Rückschlagventil EDS
8	9097457000	1	EDS KIT INST.INSTR.9097009000
9	9098025000	1	Reduzierstück f.
10	9097023000	1	Adapter f. Chemie Tank
11	9097022000	1	Niveaufühler

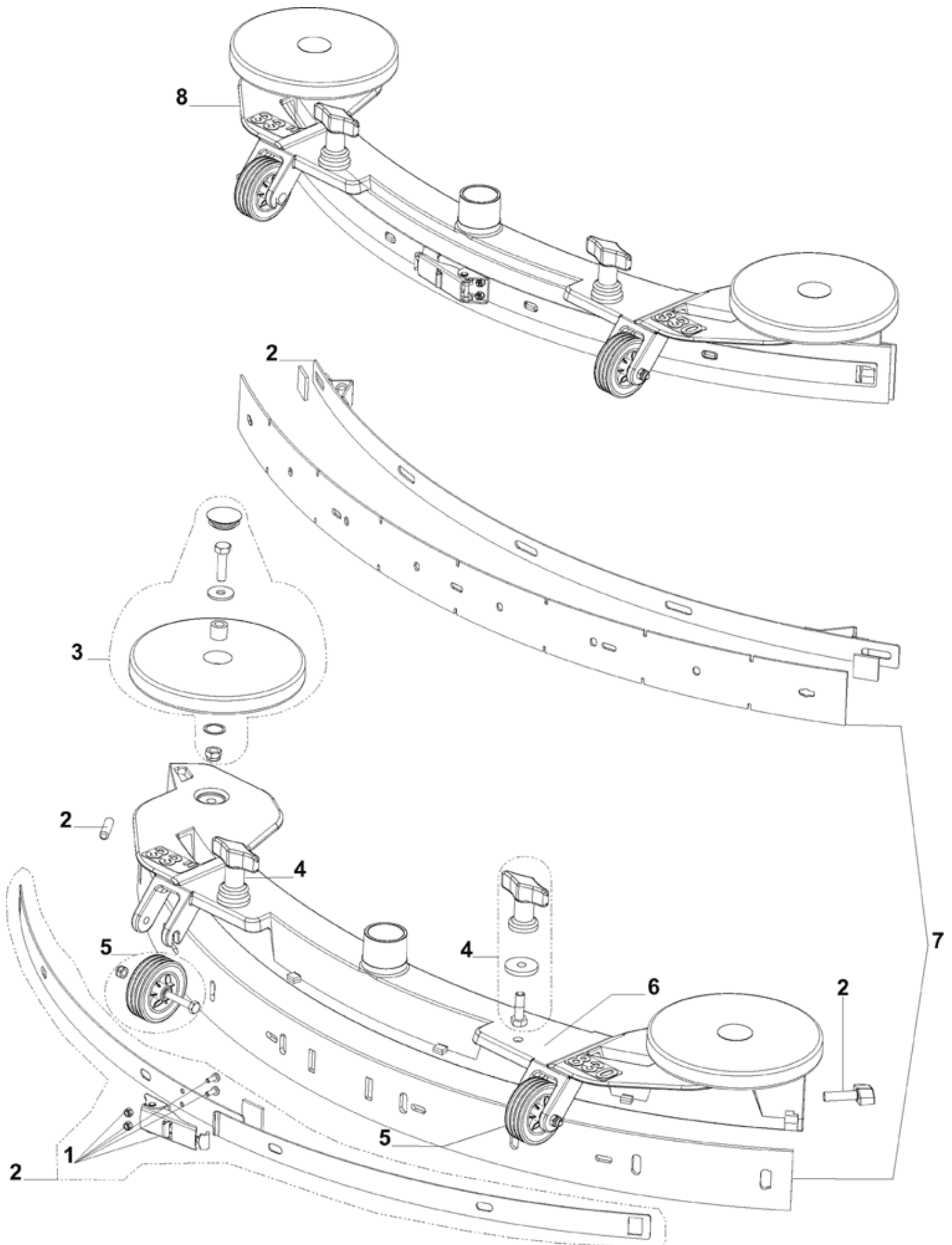
Zubehör - Sauglippensystem 850mm/33"

BA 651/BA751/BA751C/BA851

31-03-2015

ET-Liste-Nr. BA65116

35



Zubehör - Sauglippensystem 850mm/33"

BA 651/BA751/BA751C/BA851

31-03-2015

ET-Liste-Nr. BA65116

36

Pos	Artikelnr.	Me	Beschreibung
1	909 6394 000	1	LATCH SQUEEGEE KIT
2	9097634000	1	BefestigungsKit f.
3	909 6887 000	2	Abweisrollenkit
4	9097637000	1	SQUEEGEE FIXING KIT
5	909 6883 000	1	WHEELS SQUEEGEE KIT
6	9097198000	1	WELDMENT.SQUEEGEE TOOL
7	9100000280	1	Saugluppenkit 840MM/33 nicht markierend
8	9097539000	1	Absaugleistenkit kpl. Alu

Zubehör- Bürstendeck 600mm/24"

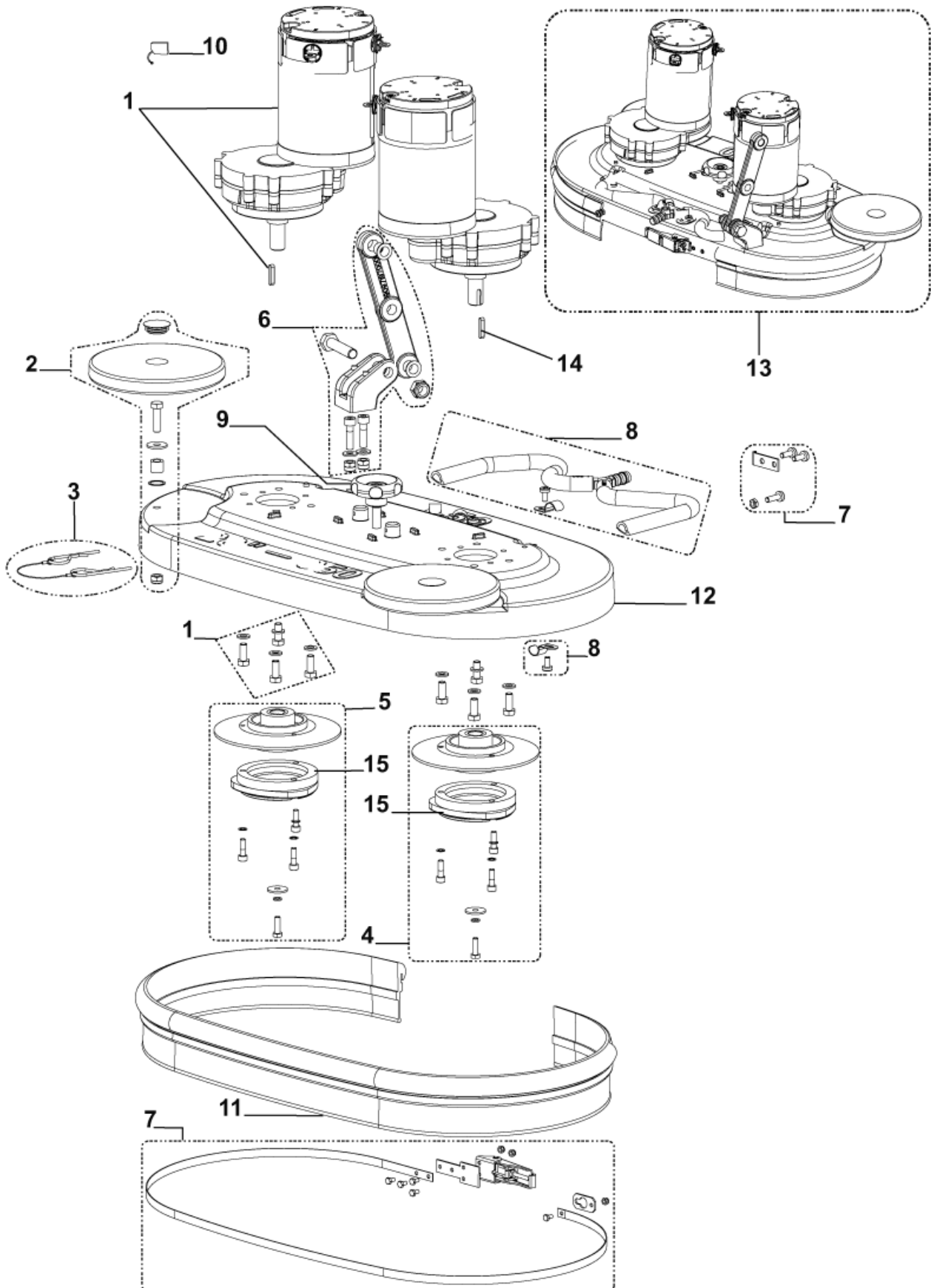
BA 651/BA751/BA751C/BA851

31-03-2015

ET-Liste-Nr. BA65117

37

DECK BRUSH 600MM/24" KIT



Zubehör- Bürstendeck 600mm/24"

BA 651/BA751/BA751C/BA851

31-03-2015

ET-Liste-Nr. BA65117

38

Pos	Artikelnr.	Me	Beschreibung	
0	9097410000	1	Kabelbaum	
1	9099546000	2	Bürstenmotor 24V 400W	
2	909 6887 000	2	Abweisrollenkit	
3	909 6354 000	1	Splint Set	
4	9097497000	1	Halter f Bürstenaufnahme	
5	9097496000	1	Halterungskit, rechts	
6	9097641000	1	Befestigungskit	
7	909 5398 000	1	Spritzgummihalterungs-KitBA 600S / BA 65	
8	9097648000	1	HOSE WATER BRUSH DECK 610MM/24 KIT	
9	146 1037 000	1	Drehknopf	
10	909 5380 000	2	Kohlebürste KIT	FOR LEROY SOMER REF. 9097638000
10	9098376000	1	CARBON BRUSHES KIT 4 PCS	FOR AMER REF. 9099546000
11	909 5224 000	1	Schmutzfänger - DECK 650MM/26"	
12	909 5344 000	1	Bürstendeckgehäuse BA600S	
13	9097522000	1	DECK BRUSH 600MM/24 KIT	INST.INSTR.9097695000-COMPLEXITY REDUCTION
14	1466146000	2	KEY 5X5X25 UNI6604A PKD	
15	L08812480	2	HUB,BRUSH	

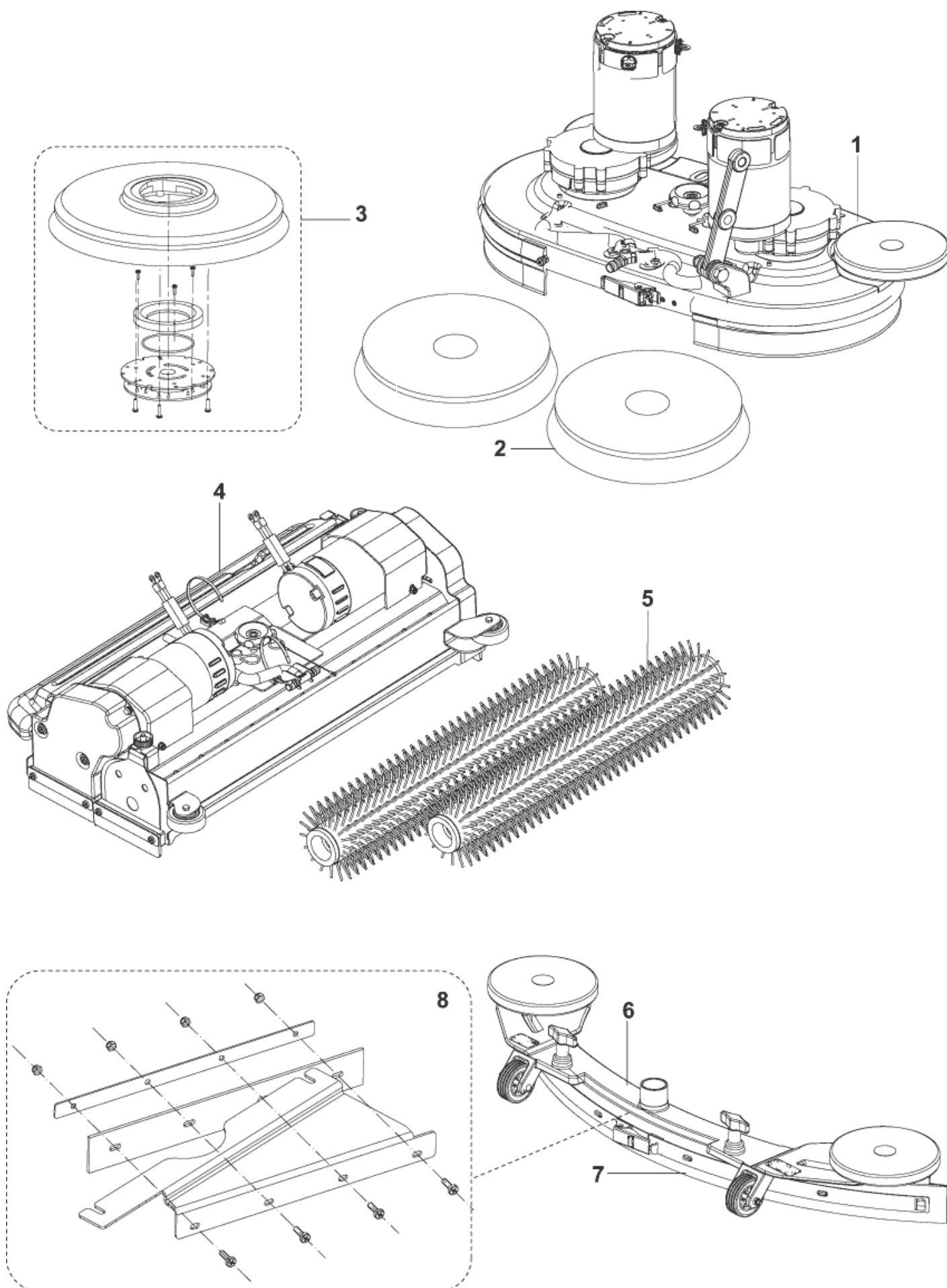
Zubehör - Bürsten - Pads - Sauglippen-set

31-03-2015

ET-Liste-Nr. BA65118

BA 651/BA751/BA751C/BA851

39



Zubehör - Bürsten - Pads - Sauglippenset

BA 651/BA751/BA751C/BA851

31-03-2015

ET-Liste-Nr. BA65118

40

Pos	Artikelnr.	Me	Beschreibung	
1	9097522000	1	DECK BRUSH 600MM/24 KIT	INST.INSTR.9097695000-COMPLEXITY REDUCTION
1	9097610000	1	DECK BRUSH 650MM/26 KIT	INST.INSTR.9097695000
1	9097611000	1	Bürstendeck 750mm / 28 - zu BA 751	INST.INSTR.9097695000
1	9097612000	1	Bürstendeck 850mm	INST.INSTR.9097695000
2	909 5332 000	2	BÜRSTE d.330 PROLENE PPL	
2	909 5333 000	2	BÜRSTE d.370 PROLENE PPL	
2	909 5334 000	2	Bürste d.330 MIDGRIT 240	
2	909 5335 000	2	BÜRSTE d.370 MIDGRIT 240	
2	909 5336 000	2	Bürste d.330 MIDLITE GRIT	
2	909 5337 000	2	BRUSH d.370 MIDLITE GRIT	
2	909 5338 000	2	BÜRSTE d.330 PROLITE	
2	909 5339 000	2	Bürste d.370 PROLITE	
2	909 5340 000	2	Bürste d.330 UNION MIX	COMPLEXITY REDUCTION
2	909 5341 000	2	Bürste d.370 UNION MIX	COMPLEXITY REDUCTION
2	9097469000	2	BRUSH D.430 17" PROLENE	
2	9097578000	2	BRUSH D.430 17" MIDGRIT 240	
2	9097579000	2	BRUSH D.430 17" MIDLITE GRIT 180	
2	9097580000	2	BRUSH D.430 17" PROLITE	
2	9097581000	2	BRUSH D.430 17" UNION MIX	
3	909 5330 000	2	PAD HOLDER KIT CPL 330MM W/CENTER LOCK	
3	909 5331 000	2	PAD HOLDER KIT CPL 355MM W/CENTER LOCK	
3	9097582000	2	PAD HOLDER KIT CPL D.430MM 17"	
3	9100000142	2	PAD HOLDER FLAT 13 330MM	
3	9100000143	2	PAD HOLDER FLAT 14 355MM	
3	9100000144	2	PAD HOLDER FLAT 17 432MM	
4	9097652000	1	Bürstenabdeckung 750MM/28" CYL KIT	INST.INSTR.9097695000-COMPLEXITY REDUCTION
5	56412046	2	BÜRSTE POLYPROPYLENE 28"-RED	
5	56412191	2	BÜRSTE SOFT NYLON 28"-YELLOW-	
5	56412192	2	BÜRSTE HART NYLON 28"-NATURAL	
5	56412193	2	BÜRSTE 180 GRIT 28"-BLUE/GREY	
5	56412194	2	BRUSH 80 GRIT 28 BLACK	
5	56412195	2	BÜRSTE 46 GRIT 28"-ORANG/BROWN	
6	9097539000	1	Absaugleistenkit kpl. Alu	
6	9097540000	1	Absaugleiste kpl. ALU 890mm/35"	
6	9097541000	1	Absaugleiste kpl. Alu.	
7	9096991000	1	Flügel PU KIT 890MM/35"	
7	9097358000	1	BLADES PU KIT 1040MM/41"	
7	9100000282	1	Sauglippenkit nicht markierend 1040mm/41	
8	9098342000	1	THIRD BLADE SQUEEGEE KIT D8	INST.INSTR.9098337000
9	9098912000	1	Aufnahme f. Absaugleiste	ACCESSORY FOR BA 651/751-TSB IT 2010-062

EMPFOHLENE ERSATZTEILE

BA 651/BA751/BA751C/BA851

31-03-2015

ET-Liste-Nr. BA65119

41

Keine Zeichnung zur ET-Liste

EMPFOHLENE ERSATZTEILE

BA 651/BA751/BA751C/BA851

31-03-2015

ET-Liste-Nr. BA65119

42

Pos	Artikelnr.	Me	Beschreibung	
1	9099929000	1	Saugturbine 3ST 24V 420W	BA 651 - 751 - 851 - 751C
2	9097653000	2	CARBON BRUSH	BA 651 - 751 - 851 - 751C
3	146 0630 000	1	GASKET L=1800	BA 651 - 751 - 851 - 751C
4	9100000680	1	ACTUATOR LINEAR 24V DC STRK 100MM PKD	BA 651 - 751 - 851 - 751C
5	909 5637 000	1	Feder	BA 651 - 751 - 851 - 751C
6	9097621000	1	Hinterrad Kit schwenkbarBA 851	BA 651 - 751 - 851 - 751C
7	9097620000	2	WHEEL FRONT DRIVE KIT	BA 651 - 751 - 851 - 751C
8	9097363000	1	MOTOR DRIVE 330W 24V	BA 651 - 751 - 851 - 751C
9	1464434000	1	Kohlebürsten 2Stück	BA 651 - 751 - 851 - 751C
10	9097623000	1	POTENTIOMETER KIT	BA 651 - 751 - 851 - 751C
11	9100000792	1	MICROSWITCH 16A 250V PKD	BA 651 - 751 - 851 - 751C
12	909 6038 000	1	Potentiometergestänge	BA 651 - 751 - 851 - 751C
13	909 6171 000	1	Potentiometer mit Kabel	BA 651 - 751 - 851 - 751C
14	9100001062	1	POTENTIOMETER 5K 40 PKD	BA 651 - 751 - 851 - 751C
15	909 6555 000	1	SOLENOID VALVE 24V	BA 651 - 751 - 851 - 751C
16	9100000362	1	FILTER WATER	BA 651 - 751 - 851 - 751C
17	9099481000	1	NET WATER FILTER REINFORCED	BA 651 - 751 - 851 - 751C
18	9097626000	1	VALVE ELBOW KIT	BA 651 - 751 - 851 - 751C
19	9097629000	1	SQUEEGEE LIFTING KIT	BA 651 - 751 - 851 - 751C
20	9097632000	1	Befestigungs-Kit	BA 651 - 751 - 851 - 751C
21	9097635000	1	Befestigungs kit f.	BA 651 - 751 - 751C
22	9097636000	1	Befestigungs kit f.	BA 851
23	909 6887 000	2	Abweisrollenkit	BA 651 - 751 - 851 - 751C
24	9097637000	1	SQUEEGEE FIXING KIT	BA 651 - 751 - 851 - 751C
25	909 6883 000	1	WHEELS SQUEEGEE KIT	BA 651 - 751 - 851 - 751C
26	9100000281	1	Sauglippen,n. markier. 89 cm/35, 2 Stück	BA 651 - 751 - 751C
27	9100000282	1	Sauglippenkit nicht markierend 1040mm/41	BA 851
28	9099546000	2	Bürstenmotor 24V 400W	BA 651 - 751 - 851
29	9098376000	2	CARBON BRUSHES KIT 4 PCS	BA 651 - 751 - 851
30	9097640000	1	HOLDER POLYGONAL RIGHT 650-750-850MM/26	BA 651 - 751 - 851
31	9097639000	1	HOLDER POLYGONAL LEFT 650-750-850MM/26-	BA 651 - 751 - 851
32	909 5224 000	1	Schmutzf änger - DECK 650MM/26"	BA 651
33	909 5345 000	1	Spritzgummi BA 750L=1600mm	BA 751
34	9097471000	1	SPLASH GUARD DECK 850MM/34"	BA 851
35	9099858000	2	MOTOR ELECTRIC 600W 24V KIT	BA 751C
36	L08603949	1	Kohlebürste SET STÜCK	BA 751C
37	9098488000	1	ROLLERS BUMPERS KIT	BA 751C
38	909 6731 000	1	Keilriemen	BA 751C
39	909 5761 000	1	Keilriemen	BA 751C
40	9097660000	1	Schmutzf änger KIT	BA 751C
41	9097659000	2	Bürstenhalter SET	BA 751C
42	9100000177	1	CARD ELECTRONIC FUNCTIONS KIT	BA 651 - 751 - 851 - 751C
43	146 2888 000	1	Schlüsselschalter	BA 651 - 751 - 851 - 751C

EMPFOHLENE ERSATZTEILE

BA 651/BA751/BA751C/BA851

31-03-2015

ET-Liste-Nr. BA65119

43

Pos	Artikelnr.	Me	Beschreibung	
44	909 6622 000	1	RELAY 24V 40A	BA 651 - 751 - 851 - 751C
45	909 5127 000	1	SWITCH ELECTROMAGNETIC	BA 651 - 751 - 851 - 751C
46	9100000189	1	CARD ELECTRONIC TRACTION KIT	BA 651 - 751 - 851 - 751C
47	909 6183 000	1	EDS Pumpe BA551D/ BA611D	BA 651 - 751 - 851 - 751C
48	56315108	1	Wasserpumpe 24 V EDS	BA 651 - 751 - 851 - 751C
49	56315522	1	Rückschlagventil EDS	BA 651 - 751 - 851 - 751C

General list of accessories

BA 651/BA751/BA751C/BA851

31-03-2015

ET-Liste-Nr. BA65120

44

Keine Zeichnung zur ET-Liste

General list of accessories

BA 651/BA751/BA751C/BA851

31-03-2015

ET-Liste-Nr. BA65120

45

Pos	Artikelnr.	Me	Beschreibung
1	9097522000	1	DECK BRUSH 600MM/24 KIT COMPLEXITY REDUCTION
2	9097610000	1	DECK BRUSH 650MM/26 KIT
3	9097611000	1	Bürstendeck 750mm / 28 -zu BA 751
4	9097612000	1	Bürstendeck 850mm
5	9097652000	1	Bürstenabdeckung 750MM/28" CYL KIT COMPLEXITY REDUCTION
6	L08603875	2	BRUSH UNION MIX 305MM
7	L08603842	2	BRUSH PROLENE 305MM
8	L08603874	2	BRUSH PROLITE 305MM
9	L08603873	2	BRUSH MIDGRIT 240 305MM
10	L08603872	2	BRUSH MIDLITE GRIT180
11	909 5340 000	2	Bürste d.330 UNION MIX
12	909 5332 000	2	BÜRSTE d.330 PROLENE PPL
13	909 5338 000	2	BÜRSTE d.330 PROLITE
14	909 5334 000	2	Bürste d.330 MIDGRIT 240
15	909 5336 000	2	Bürste d.330 MIDLITE GRIT
16	909 5341 000	2	Bürste d.370 UNION MIX
17	909 5333 000	2	BÜRSTE d.370 PROLENE PPL
18	909 5339 000	2	Bürste d.370 PROLITE
19	909 5335 000	2	BÜRSTE d.370 MIDGRIT 240
20	909 5337 000	2	BRUSH d.370 MIDLITE GRIT
21	9097581000	2	BRUSH D.430 17" UNION MIX
22	9097469000	2	BRUSH D.430 17" PROLENE
23	9097580000	2	BRUSH D.430 17" PROLITE
24	9097578000	2	BRUSH D.430 17" MIDGRIT 240
25	9097579000	2	BRUSH D.430 17" MIDLITE GRIT 180
26	56412191	2	BÜRSTE SOFT NYLON 28"-YELLOW-
27	56412192	2	BÜRSTE HART NYLON 28"-NATURAL
28	56412046	2	BÜRSTE POLYPROPYLENE 28"-RED
29	56412193	2	BÜRSTE 180 GRIT 28"-BLUE/GREY
30	56412194	2	BRUSH 80 GRIT 28 BLACK
31	56412195	2	BÜRSTE 46 GRIT 28"-ORANG/BROWN
32	L08603939	2	Treibteller D305mm Kit
33	909 5330 000	2	PAD HOLDER KIT CPL 330MM W/CENTER LOCK
34	909 5331 000	2	PAD HOLDER KIT CPL 355MM W/CENTER LOCK
35	9097582000	2	PAD HOLDER KIT CPL D.430MM 17"
36	10001915	1	PAD 13 330MM ECO WHITE 5PCS
37	10001913	1	Eco Pad 13, 330mm, grün
38	10001914	1	PAD 13 330MM ECO RED 5PCS
39	10001911	1	PAD 13 330MM ECO BLUE 5PCS
40	10001912	1	PAD 13 330MM ECO BROWN 5PCS
41	10001921	1	PAD 14 355MM ECO WHITE 5PCS
42	10001919	1	Eco Pad 14, 355mm, grün
43	10001920	1	PAD 14 355MM ECO RED 5PCS

General list of accessories

BA 651/BA751/BA751C/BA851

31-03-2015

ET-Liste-Nr. BA65120

46

Pos	Artikelnr.	Me	Beschreibung	
44	L00190796	1	PAD 14 355MM BLUE 5PCS	
45	L00190797	1	PAD 14 355MM BROWN 5PCS	
46	10001936	1	PAD 17 432MM ECO WHITE 5PCS	
47	10001940	1	Eco Pad 17, 432mm, grün	
48	10001941	1	PAD 17 432MM ECO RED 5PCS	
49	10001939	1	PAD 17 432MM ECO BLUE 5PCS	
50	10001971	1	PAD 17 432MM ECO BROWN 5PCS	
51	9097539000	1	Absaugleistenkit kpl. Alu	
52	9097540000	1	Absaugleiste kpl. ALU 890mm/35"	
53	9097541000	1	Absaugleiste kpl. Alu.	
54	9096991000	1	Flügel PU KIT 890MM/35"	
55	9097358000	1	BLADES PU KIT 1040MM/41"	
56	909 5065 000	1	FILTER ANTIFOAMING	
57	909 6734 000	1	Haltenetz	
58	909 5512 000	1	Räder ölbeständig (Kit)zu BA 600 S	
59	909 5511 000	1	Schwenkrad BA 600S	
60	9096916000	1	FILTER SOLUTION TANK	OPTION
61	9096951000	1	BETRIEBSSTUNDENZÄHLER	
62	9097597000	1	Batterieladegerät CPL KIT 24V 25A	
63	9097457000	1	EDS KIT	