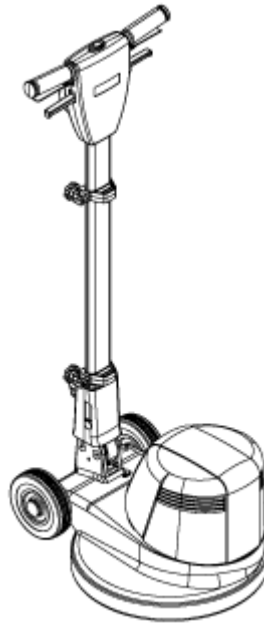


# SPINTEC 443

---

Model:  
SPINTEC 443  
SPINTEC 443 FR



Part List US-English

04-11-2014

# Table of Contents

SPINTEC 443

<b>Base system SPINTEC 443</b>	<b>3</b>
<b>Handle system</b>	<b>6</b>
<b>Wiring and recommended spare parts</b>	<b>9</b>
<b>Brush selector guide</b>	<b>12</b>
<b>Accessories</b>	<b>14</b>
<b>Solution tank kit 10104A</b>	<b>16</b>
<b>Foam generator kit 11294A</b>	<b>18</b>
<b>Spray buff kit 11295A</b>	<b>20</b>
<b>Dust collection kit 56381571</b>	<b>22</b>

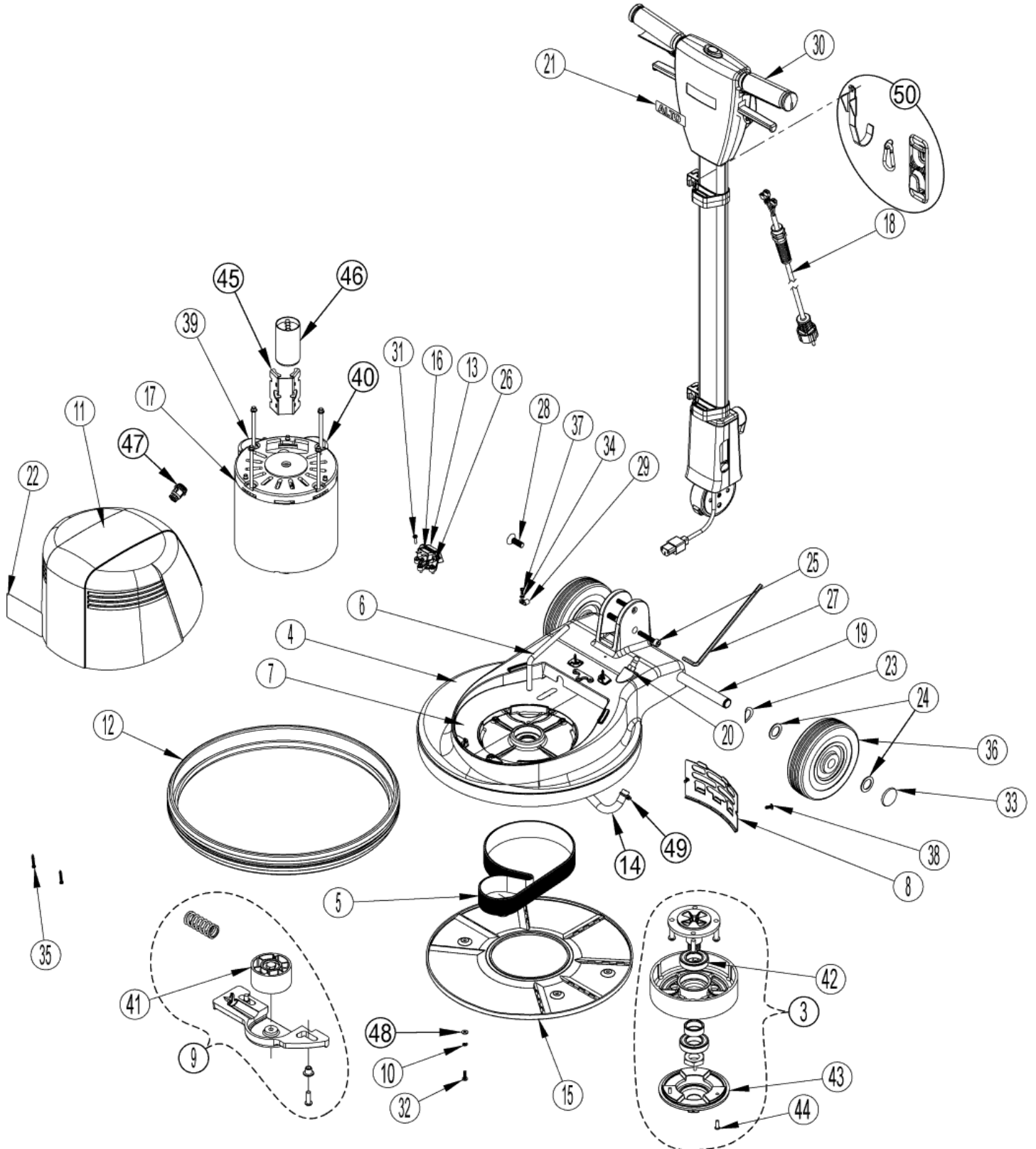
# Base system SPINTEC 443

SPINTEC 443

04-11-2014

Part List ID  
SPINTEC44302

3



# Base system SPINTEC 443

SPINTEC 443

04-11-2014

Part List ID  
SPIN I EC:44302

4

Pos	Part no.	Qty	Description	
3	56380089	1	SPINDLE ASM	Contains items 42, 43, 44
4	56380095	1	MAINFRAME NILFISK ALTO 443	
5	56380104	1	BELT POLY V 838 PJ16	
6		1	NOTE COMMENT	BELT TENSION ASSEMBLY (CONTAINS ITEM 41)
7	56381565	1	COOLING PLATE	
8	56381566	1	BACK COVER	
9	56381579	1	BELT TENSION ASM	
10		1	NOTE COMMENT	WASHER M5 HELICAL LOCK
11		1	NOTE COMMENT	COVER MOTOR ASM
12	30272A	1	BUMPER	
13		1	NOTE COMMENT	MOUNT INLET
14		1	NOTE COMMENT	HOSE SOLUTION
15		1	NOTE COMMENT	COVER BOTTOM
16		1	NOTE COMMENT	INLET IEC 60320 C14
17	40258A	1	MOTOR LOW SPEED	
18	40249A	1	CORD POWER UK	
18	40268A	1	CORD POWER	
19	61956A	1	SHAFT WHEEL	
20		1	NOTE COMMENT	HOSEBARB STRAIGHT
21		1	NOTE COMMENT	LABEL HANDLE COVER
22		1	NOTE COMMENT	LABEL SPINTEC 443 MTR COVER (NOTES 1, 2)
23		1	NOTE COMMENT	WASHER BOWED 20MM
24		1	NOTE COMMENT	WASHER FLAT 20MM
25		1	NOTE COMMENT	SCREW M8 - 1 X 45 SOCKET RECESS
26		1	NOTE COMMENT	SCREW ST4.2-1.4 X16 SS TRUSS HD PH
27		1	NOTE COMMENT	WRENCH ALLEN 6MM
28		1	NOTE COMMENT	SCREW M10-1.5 X 30 FLAT HEAD
29		1	NOTE COMMENT	CLAMP-1/4 CABLE/TUBING
30	56382013	1	NILFISK ALTO ASM W/CEE 7/7	(includes #18 / PN 40268A)
30	56382014	1	NILFISK ALTO ASM W/BS-1363	(includes #18 / PN 40249A)
31		1	NOTE COMMENT	SCR, M4.7X16MM PAN CROSS RECESS THD FORM
32		1	NOTE COMMENT	SCREW M5-.8 X 16
33		1	NOTE COMMENT	WHEEL RETAINER
34		1	NOTE COMMENT	WASHER EXTERNAL TOOTH M4
35		1	NOTE COMMENT	SCREW ST4-1.4 X 30 PAN HEAD
36		1	NOTE COMMENT	WHEEL 160MM DIA. GRAY
37		1	NOTE COMMENT	SCR M4 X 10 SS PAN CROSS RECESS
38	GT13054	2	SCREW PAN HEAD M5X12	
39	VF32109	1	RUNNING CAPACITOR 20UF/600V	
40	VF999849	1	START CAPACITOR 100F/300V	
41	56380090	1	FLAT IDLER ASM	
42	VF14061	1	BEARING 6006	
43	56380099	1	DRIVER	

# Base system SPINTEC 443

SPINTEC 443

04-11-2014

Part List ID  
SPIN I EC:44302

5

Pos	Part no.	Qty	Description	
44	56381538	1	SCR M5-.8X16 BTN HD SS	
50	56382010	1	CONVENIENCE KIT	
K1	11282A	2	WHEEL KIT	Pos. 23, 24, 33, 36
K2	11264A	1	DECAL KIT ALTO	Pos. 21, 22
K2	11289A	1	DECAL KIT NILFISK ALTO	Pos. 21, 22
K3	11265A	1	NILFISK ALTO MOTOR COVER KIT	Pos. 11, 35
K5	56382001	1	INSTALLATION TOOL AND HARDWARE KIT	Pos. 25, 27, 28, 29, 34, 37
K6	56380089	1	SPINDLE ASM	Pos. 3, 42, 43, 44
K7	11284A	1	SOLUTION FITTINGS KIT	Pos. 6, 14, 20, 49
K8	11267A	1	BOTTOM COVER KIT	Pos. 10, 15, 32
K9	11283A	1	INLET KIT	Pos. 13, 16, 26, 31
K10	56381579	1	BELT TENSION ASM	Pos. 9, 41

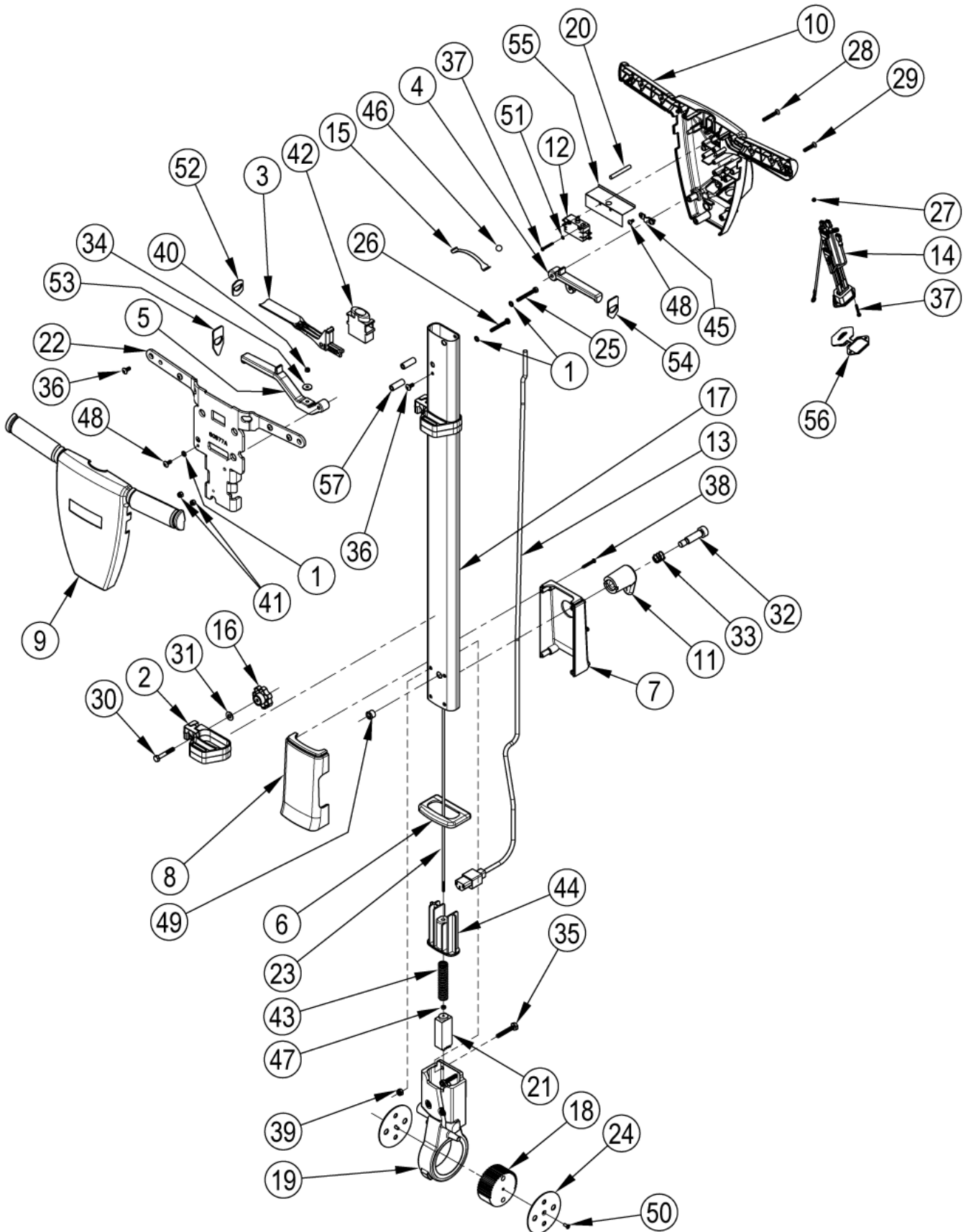
# Handle system

SPINTEC 443

04-11-2014

Part List ID  
SPINTEC44308

6



# Handle system

## SPINTEC 443

04-11-2014

Part List ID  
SPIN I EC:44308

7

Pos	Part no.	Qty	Description
1		3	NOTE COMMENT WASHER SH 1210-00
2		2	NOTE COMMENT ACCESSORY CLAMP
3		2	NOTE COMMENT LEVER SWITCH
4		1	NOTE COMMENT LEVER SOLUTION
5		1	NOTE COMMENT LEVER HANDLE ADJUSTMENT
6		1	NOTE COMMENT CAP RUBBER
7		1	NOTE COMMENT COVER REAR
8		1	NOTE COMMENT COVER FRONT
9		1	NOTE COMMENT COVER HANDLE FRONT
10		1	NOTE COMMENT COVER REAR
11		1	NOTE COMMENT HOOK CORD
12	40263A	1	SWITCH DPST
13	40269A	1	INTERCONNECT CORD
14		1	NOTE COMMENT OUTLET / WIRING ASSEMBLY
15		1	NOTE COMMENT SPRING INTERLOCK BUTTON
16		2	NOTE COMMENT KNOB CLAMP M6
17		1	NOTE COMMENT TUBE HANDLE
18		1	NOTE COMMENT INDEX GEAR
19		1	NOTE COMMENT HANDLE MOUNT
20		4	NOTE COMMENT PIN HANDLE SUPPORT
21		1	NOTE COMMENT PLUNGER
22		1	NOTE COMMENT HANDLE SUPPORT
23		1	NOTE COMMENT ROD INDEX
24		2	NOTE COMMENT PLATE, GEAR HOUSING
25		1	NOTE COMMENT SCREW M5 X 43 SS HEX HEAD
26		1	NOTE COMMENT SCREW M5 X 40 SS PAN HEAD PHILLIPS
27		2	NOTE COMMENT NUT HEX M3-0.5 SS
28		4	NOTE COMMENT SCREW M5 X 35 SS FLAT HEAD PHILLIPS
29		2	NOTE COMMENT SCREW M5 X 25 SS FLAT HEAD PHILLIPS
30		2	NOTE COMMENT SCR M6-1 X40 HEX SS
31		2	NOTE COMMENT WASHER FLAT 6.6X15.8X1.5 SS
32		1	NOTE COMMENT SCR SHOULDER 12MM X 35MM, M10-1.5
33		1	NOTE COMMENT SPRING 15 MM X 15 MM LONG
34		1	NOTE COMMENT WASHER M4 X16
35		4	NOTE COMMENT SCREW M6 X 40 SS HEX HEAD
36		5	NOTE COMMENT SCREW M5 X 12 SS TRUSS HEAD PHILLIPS
37		4	NOTE COMMENT SCREW M3 X 25 SS PAN HEAD PHILLIPS
38		4	NOTE COMMENT SCREW ST4-1.4 X 30 PAN HEAD
39		4	NOTE COMMENT NUT M6 SS NYLON INSERT
40		1	NOTE COMMENT NUT M4 SS NYLON INSERT
41		2	NOTE COMMENT NUT M5 SS NYLON INSERT
42		1	NOTE COMMENT BUTTON INTERLOCK
43		1	NOTE COMMENT SPRING COMPRESSION

# Handle system

## SPINTEC 443

04-11-2014

Part List ID  
SPIN I EC:44308

8

Pos	Part no.	Qty	Description	
44		1	NOTE COMMENT	HOUSING SPRING BLACK
45		1	NOTE COMMENT	CLAMP CORD
46		1	NOTE COMMENT	BALL INTERLOCK 10MM
47		1	NOTE COMMENT	NUT M4 SS JAM
48		4	NOTE COMMENT	SCREW, M4 X 8 SS PAN HEAD PHILLIPS
49		1	NOTE COMMENT	BUSHING-OPEN/CLOSED .50
50		2	NOTE COMMENT	SCR M4-.7 X 10MM FLT PHILLIPS
51		2	NOTE COMMENT	WASHER M3 EXTERNAL TOOTH
52		2	NOTE COMMENT	SWITCH LEVER SEAL
53		1	NOTE COMMENT	RELEASE LEVER SEAL
54		1	NOTE COMMENT	ACCESSORY LEVER SEAL
55		1	NOTE COMMENT	SWITCH DRIP GUARD
56	VF73708	1	WATERPROOF CAP	
K1	11269A	1	CORD WRAP KIT	Pos. 11, 12, 13, 32, 33
K2	11279A	1	HANDLE COVER KIT	Pos. 9, 10, 28, 29
K3	11273A	1	HANDLE SUPPORT KIT	Pos. 1, 22, 25, 26, 36, 41
K4	11274A	1	HANDLE SWITCH LEVER KIT	Pos. 3, 4, 5, 15, 20, 34, 37,40,42 45, 46, 48, 51,
K5	11286A	1	RELEASE SPRING AND ROD KIT	Pos. 23, 34, 40, 43, 47
K6	56381560	1	POLISHER GEAR SET KIT	Pos. 18, 19, 21, 24, 50
K7	56381561	1	POLISHER GEAR HOUSING AND TUBE KIT	Pos. 17, 19, 35, 39, 44, 57
K8	11270A	1	OUTLET KIT	Pos. 14, 27, 37
K9	11268A	2	MOUNT ACCESSORY KIT	Pos. 2, 16, 30, 31
K10	11271A	1	REAR AND FRONT COVER KIT	Pos. 6, 7, 8, 38, 49



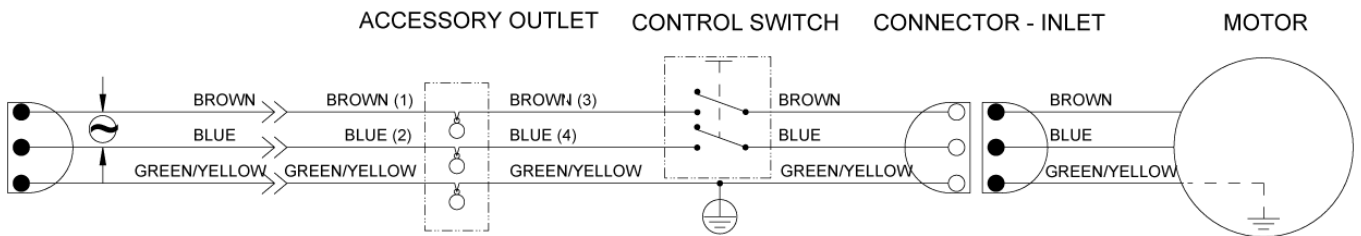
# Wiring and recommended spare parts

SPINTEC 443

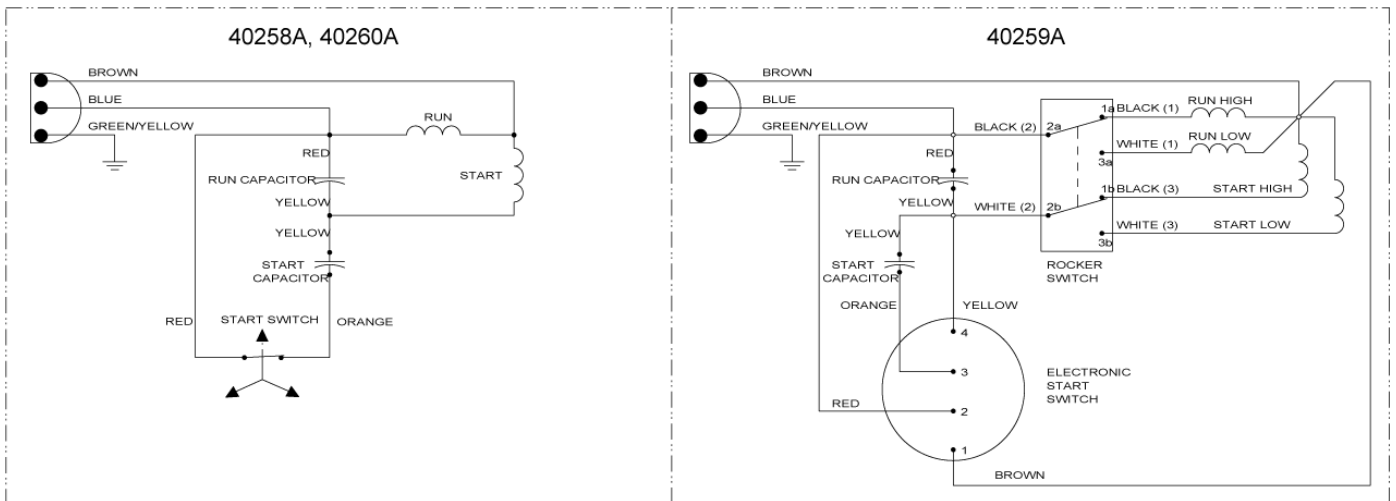
04-11-2014

Part List ID  
SPINTEC44310

9



## MOTOR DIAGRAM



# Wiring and recommended spare parts

SPINTEC 443

04-11-2014

Part List ID  
SPIN I EC:44310

10

Pos	Part no.	Qty	Description	
B	11264A	1	DECAL KIT ALTO	EM
B	11265A	1	NILFISK ALTO MOTOR COVER KIT	EM
B	11267A	1	BOTTOM COVER KIT	EM
B	11282A	1	WHEEL KIT	EM
B	11283A	1	INLET KIT	EM
B	11284A	1	SOLUTION FITTINGS KIT	EM
B	11288A	1	NILFISK ALTO DS MOTOR COVER KIT	EM
B	11289A	1	DECAL KIT NILFISK ALTO	EM
B	30272A	1	BUMPER	OM
B	40258A	1	MOTOR LOW SPEED	EM
B	40259A	1	MOTOR DUAL SPEED	EM
B	40260A	1	MOTOR HIGH SPEED	EM
B	40264A	1	SWITCH ROCKER ON-ON	OM
B	47378A	1	SWITCH MOTOR STARTING CLASSI	OM
B	56380089	1	SPINDLE ASM	EM
B	56380090	1	FLAT IDLER ASM	OM
B	56380095	1	MAINFRAME NILFISK ALTO 443	EM
B	56380096	1	MAINFRAME NILFISK ALTO 443 H	EM
B	56380099	1	DRIVER	OM
B	56380104	1	BELT POLY V 838 PJ16	OM
B	56381562	1	SADDLE START SWITCH	EM
B	56381566	1	BACK COVER	EM
B	56381579	1	BELT TENSION ASM	EM
B	56381579	1	BELT TENSION ASM	EM
B	61956A	1	SHAFT WHEEL	EM
B	GT17003	1	CAPACITOR	OM, SPINTEC 443 H
B	GT17004	1	CAPACITOR	OM, SPINTEC 443 DS
B	VF14061	1	BEARING 6006	OM
B	VF32109	1	RUNNING CAPACITOR 20UF/600V	OM
B	VF999848	1	RUN CAPACITOR 23F/500V	OM
B	VF999849	1	START CAPACITOR 100F/300V	OM, SPINTEC 443
F	40249A	1	CORD POWER UK	EM
F	40268A	1	CORD POWER	EM
F	56382010	1	CONVENIENCE KIT	EM
F	56382013	1	NILFISK ALTO ASM W/CEE 7/7	EM (includes PN 40268A)
F	56382014	1	NILFISK ALTO ASM W/BS-1363	EM (includes PN 40249A)
H	11268A	1	MOUNT ACCESSORY KIT	OM
H	11269A	1	CORD WRAP KIT	EM
H	11270A	1	OUTLET KIT	EM
H	11271A	1	REAR AND FRONT COVER KIT	EM
H	11273A	1	HANDLE SUPPORT KIT	EM
H	11274A	1	HANDLE SWITCH LEVER KIT	OM

Pos. B = Base system, Pos. F = Final assembly, Pos. H = Handle assembly

Commet - Class:

W = Normal Wear

OM = Ordinary Maintenance

# Wiring and recommended spare parts

SPINTEC 443

04-11-2014

Part List ID  
SPIN I EC:44310

11

Pos	Part no.	Qty	Description	
H	11279A	1	HANDLE COVER KIT	EM
H	11286A	1	RELEASE SPRING AND ROD KIT	EM
H	40263A	1	SWITCH DPST	OM
H	40269A	1	INTERCONNECT CORD	EM
H	56381560	1	POLISHER GEAR SET KIT	EM
H	56381561	1	POLISHER GEAR HOUSING AND TUBE KIT	EM
H	VF73708	1	WATERPROOF CAP	EM

Pos. B = Base system, Pos. F = Final assembly, Pos. H = Handle assembly

Commet - Class:

W = Normal Wear

OM = Ordinary Maintenance

# Brush selector guide

SPINTEC 443

04-11-2014

Part List ID  
SPINTEC44312

12

## BRUSH SELECTOR GUIDE

Part No.	Description	Filament	Trim
11296A	Polishing	Union Mix (50% PALMYRA 50% White Tampico)	Straight
11297A	Carpet	Ø .30mm PA 66 Natural	Straight
11298A	Light-Medium Cleaning	Ø .35mm PP Grey	Straight
11299A	Medium-Heavy Cleaning	Ø .50mm PP Black	Straight
11310A	Heavy Cleaning/ Stripping	50/80/30 Silicon Carbide	Irregular

Description	P/N	56380065 56380073 Spintec 443	56380066 Spintec 443 UK	56380068 56380074 Spintec 443 H	56380069 Spintec 443 H UK	56380070 56380075 Spintec 443 DS	56380071 Spintec 443 DS UK
Polishing Brush	11296A			X	X	X	X
Carpet Brush	11297A	X	X				
Light-Medium Cleaning Brush	11298A	X	X			X	X
Medium Cleaning Brush	11299A	X	X			X	X
Heavy Cleaning/Stripping Brush	11310A	X	X			X	X
Brush-Shampoo Commercial Crpt	56383868	X	X				
Pad Driver-Low Speed-430 MM	11315A	X	X			X	X
Pad Driver-High Speed-Flex	11316A			X	X	X	X
Pad Driver-High SP-Flex-Foam	56381578			X	X	X	X
BLACK 406mm PAD 5 PK		X	X			X	X
BROWN 406mm PAD 5 PK		X	X			X	X
GREEN 406mm PAD 5 PK		X	X			X	X
BLUE 406mm PAD 5 PK		X	X			X	X
RED 406mm PAD 5 PK		X	X	X	X	X	X
WHITE 406mm PAD 5 PK		X	X	X	X	X	X

**Black** – Stripping – For long lasting, heavy duty stripping.

**Brown** – Stripping – For fast, uniform stripping, wet or dry.

**Green** – Scrubbing – For wet, heavy duty scrubbing.

**Blue** – Scrubbing – For wet, medium duty scrubbing.

**Red** – Buffing – For dry buffing, spray buffing or light duty scrubbing.

**White** – Polishing – For dry polishing or with fine water mist to ensure high gloss.

# Brush selector guide

SPINTEC 443

04-11-2014

Part List ID  
SPIN I EC:44312

13

Pos	Part no.	Qty	Description
1	11296A	1	POLISHING BRUSH 430MM
2	56382022	1	FM400 L SHAMPOO BRUSH
3	11298A	1	LIGHT-MEDIUM CLEANING BRUSH 430MM
4	11299A	1	MEDIUM-HEAVY CLEANING BRUSH 430MM
5	11310A	1	HEAVY CLEANING STRIPPING BRUSH 430MM
10	11315A	1	PAD DRIVER-LOW SPEED-430 MM
11	11316A	1	PAD DRIVER-HIGH SPEED-FLEX
12	56381578	1	PAD DRIVER-HIGH SP-FLEX-FOAM
20		1	PAD 16 406MM ECO BLACK 5PCS
21		1	PAD 16 406MM GREEN 5PCS
22		1	PAD 16 406MM ECO WHITE 5PCS
23		1	PAD 16 406MM ECO RED 5PCS
24		1	PAD 16 406MM BLUE 5PCS
25		1	PAD 16 406MM ECO BROWN 5PCS

# Accessories

SPINTEC 443

04-11-2014

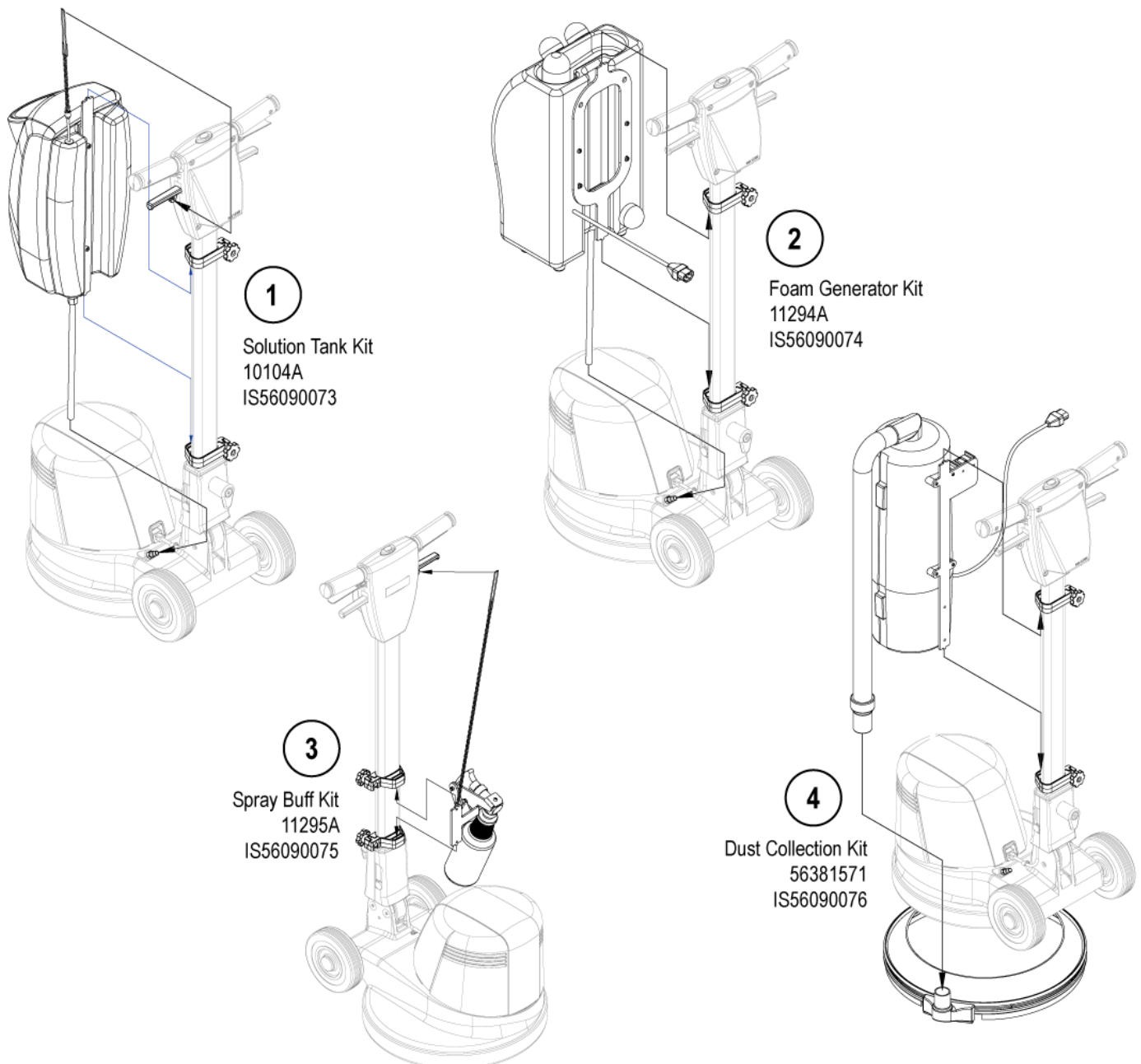
Part List ID  
SPINTEC44316

14

Description	P/N	56380065 Spintec 443	56380066 Spintec 443 UK	56380068 Spintec 443 H	56380069 Spintec 443 H UK	56380070 Spintec 443 DS	56380071 Spintec 443 DS UK
Literature Pack	56044439	X	X	X	X	X	X
(1) Solution Tank Kit*	10104A	X	X			X	X
(2) Foam Generator Kit*	11294A	X	X				
(3) Spray Buff Kit*	11295A	X	X	X	X	X	X
(4) Dust Collection Kit*	56381571			X	X	X	X

\* = Optional, Not Included

**NOTE** = Replacement parts for the accessory kits listed above (1-4) can be found on each kit's associated instruction sheet.



# Accessories

SPINTEC 443

04-11-2014

Part List ID  
SPIN I EC:44316

15

Pos	Part no.	Qty	Description
1	10104A	1	SOLUTION TANK ACC KIT
2	11294A	1	FOAM GENERATOR KIT
3	11295A	1	SPRAY BUFF KIT
4	56381571	1	DUST COLLECTION KIT

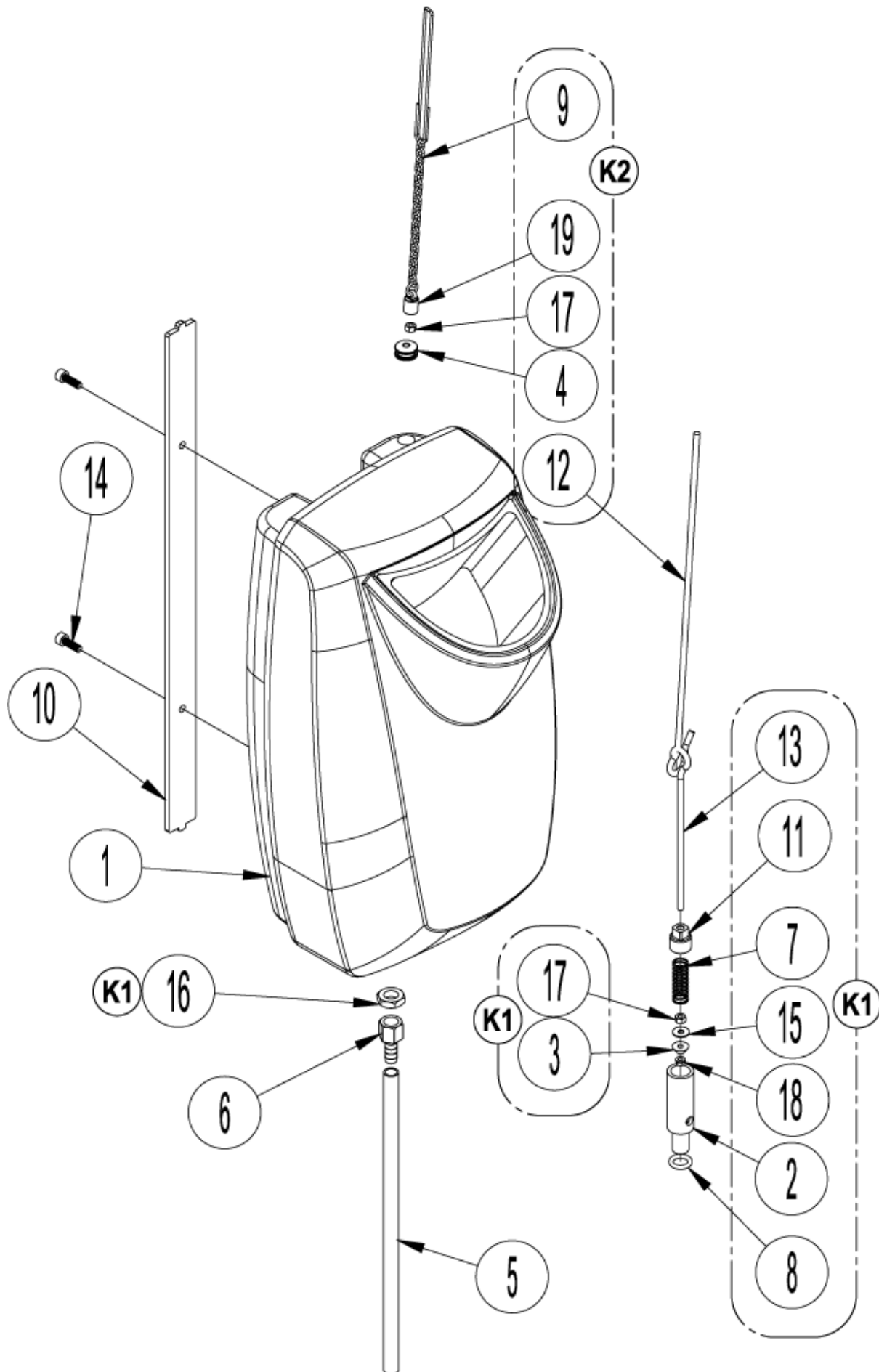
# Solution tank kit 10104A

SPINTEC 443

04-11-2014

Part List ID  
56090073

16





# Solution tank kit 10104A

SPINTEC 443

04-11-2014

Part List ID  
56090073

17

Pos	Part no.	Qty	Description
0	10104A	1	SOLUTION TANK ACC KIT
1	30249A	1	TANK SOLUTION
2		1	NOTE COMMENT BODY VALVE PLASTIC
3	VF40134	1	SEAL RUBBER
4		1	NOTE COMMENT SEAL
5	30869A	1	TUBING VINYL
7		1	NOTE COMMENT SPRING COMPRESSION S.S.
8		1	NOTE COMMENT O-RING
9		1	NOTE COMMENT CHAIN ASM
10	60023A	1	BRACKET MOUNTING SOLUTION TANK
11		1	NOTE COMMENT BONNET M18X1.5 NYLON
12		1	NOTE COMMENT ROD UPPER PULLING BRASS
13		1	NOTE COMMENT ROD LOWER PULLING BRASS
14	VF13498	2	SCREW M6X20
15		1	NOTE COMMENT WASHER, PLAIN 5MM BRASS
16		1	NOTE COMMENT NUT HEX M14X1.5 BRASS
17		2	NOTE COMMENT NUT HEX M5X0.8 BRASS
18		1	NOTE COMMENT NUT HEX FLANGED M5X0.8 BRASS
19		1	NOTE COMMENT NUT EYE M5
K1	11278A	1	SOLUTION VALVE ASSEMBLY
K2	11277A	1	SOLUTION TANK UPPER HARDWARE KIT

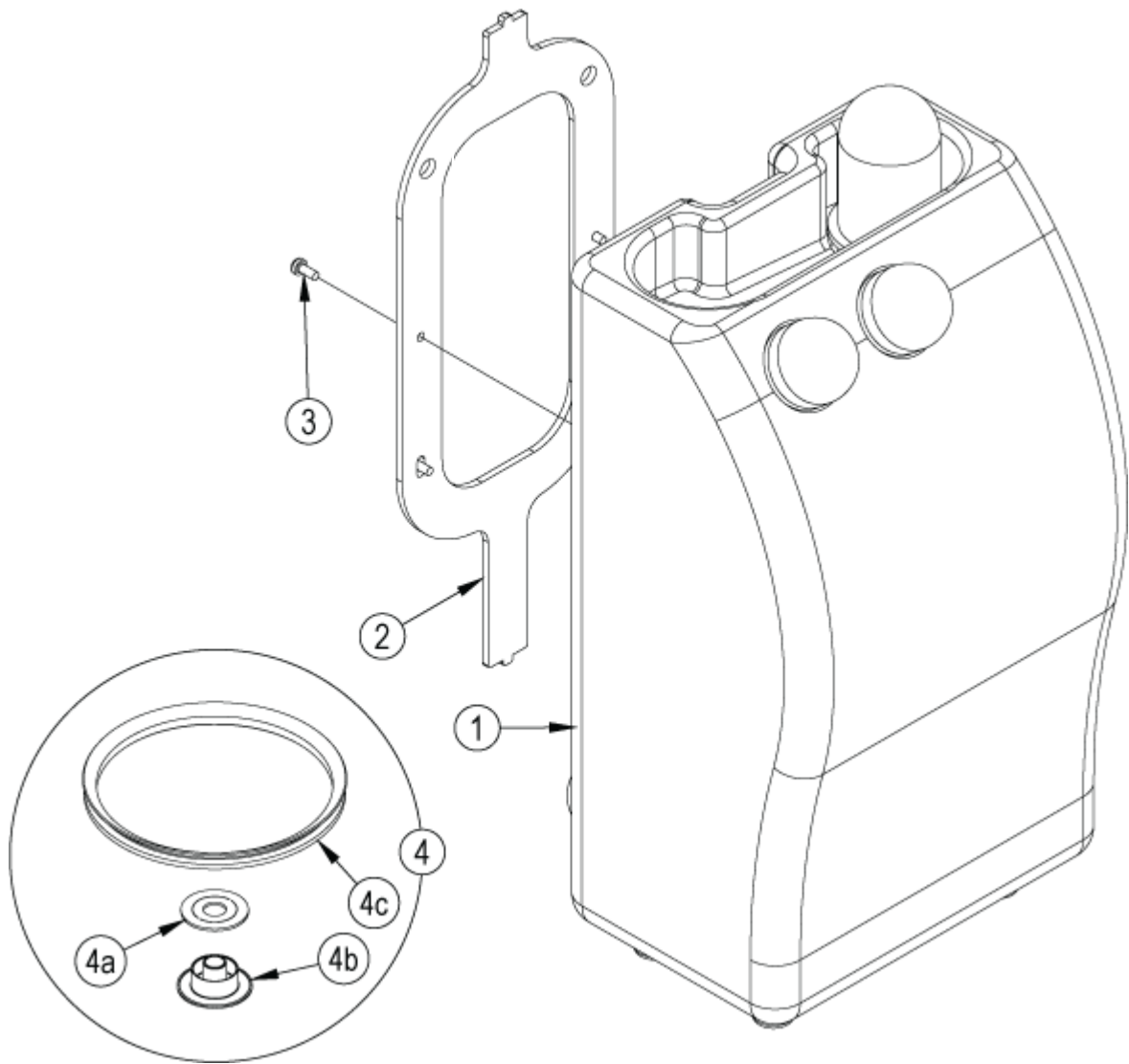
# Foam generator kit 11294A

SPINTEC 443

04-11-2014

Part List ID  
56090074

18



# Foam generator kit 11294A

SPINTEC 443

04-11-2014

Part List ID  
56090074

19

Pos	Part no.	Qty	Description	
0	11294A	1	FOAM GENERATOR KIT	
1		1	NOTE COMMENT	Foam Generator
2	60459A	1	BRACKET FOAM GENERATOR MOUNTING	
3		1	NOTE COMMENT	Scr M5- .8 X 16 Fil Cross Rec
4	56382020	1	FM400 L SEAL KIT FOR CARPET APPLICATION	
SP	VF14227	1	O-RING	SERVICE PARTS
SP	VF46404	1	KIT TANK KNOB INTAKE	SERVICE PARTS
SP	VF46422-6	1	MICRO SWITCH	SERVICE PARTS
SP	VF46422-8	1	VALVE BODY	SERVICE PARTS
SP	VF46435	1	FILTER OUTLET TANK	SERVICE PARTS
SP	VF46454	1	FILTER INTAKE TANK	SERVICE PARTS
SP	VF46468	1	FAN	SERVICE PARTS
SP	YQ11000	1	PUMP	SERVICE PARTS

# Spray buff kit 11295A

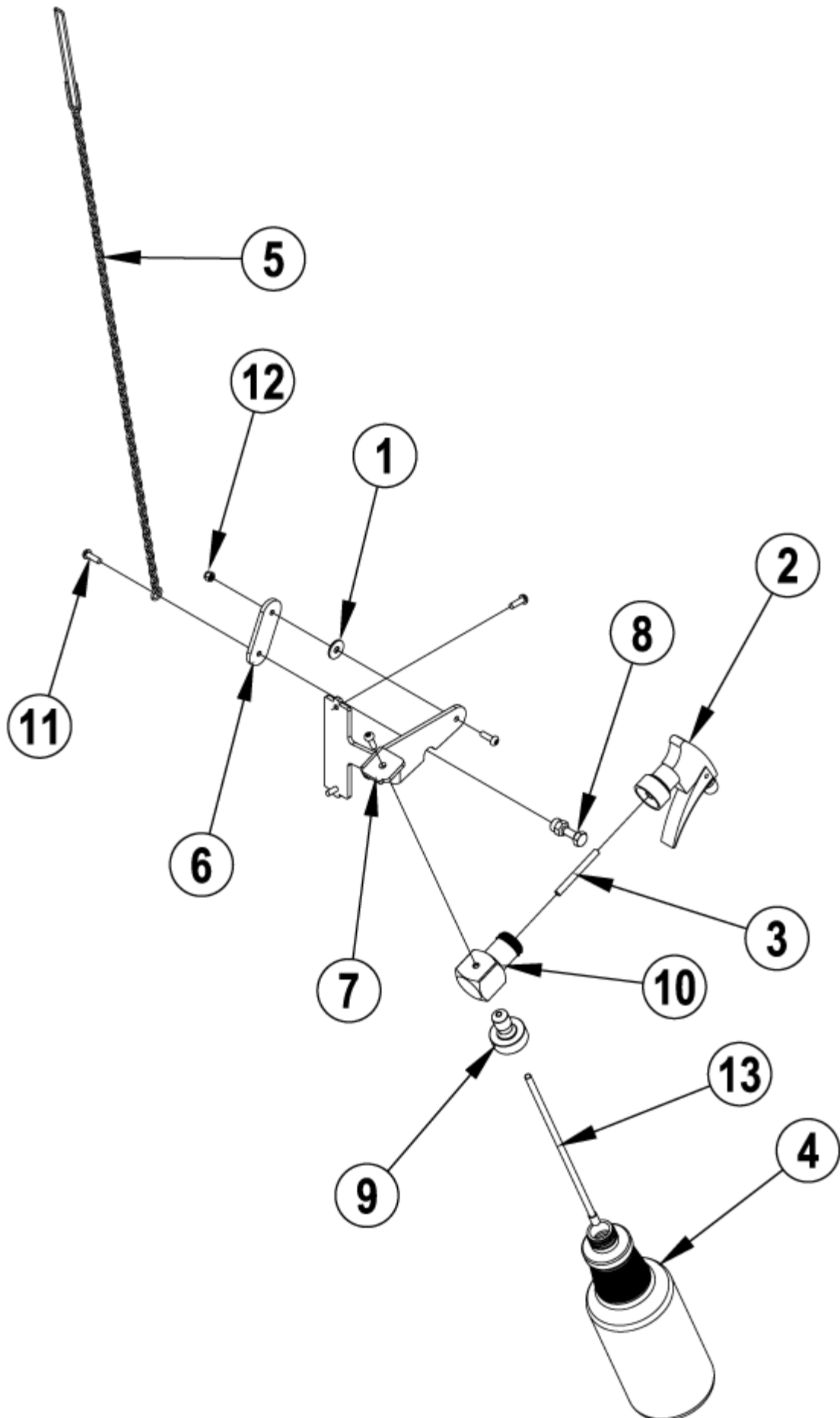
SPINTEC 443

04-11-2014

Part List ID

56090075

20



# Spray buff kit 11295A

SPINTEC 443

04-11-2014

Part List ID  
56090075

21

Pos	Part no.	Qty	Description
0	11295A	1	SPRAY BUFF KIT
1		1	NOTE COMMENT Washerfl t.750x.250x.062Nylon
2		1	NOTE COMMENT Spray Buff Pump
3		1	NOTE COMMENT Tube
4		1	NOTE COMMENT Bottle Plastic Quart Carafe
5		1	NOTE COMMENT Chain Asm
6		1	NOTE COMMENT Link Spray Buff
7		1	NOTE COMMENT Bracket Spray Buff
8		1	NOTE COMMENT Actuator
9		1	NOTE COMMENT Mount
10		1	NOTE COMMENT Adaptor
11		5	SCREW M5 X 16
12		1	NOTE COMMENT Nut M5 Ss Nylon Insert
13		1	NOTE COMMENT Tube Dip
K1	56382005	1	SPRAY BUFF REPAIR KIT Includes pos. 2,3,4,5,8,11,13

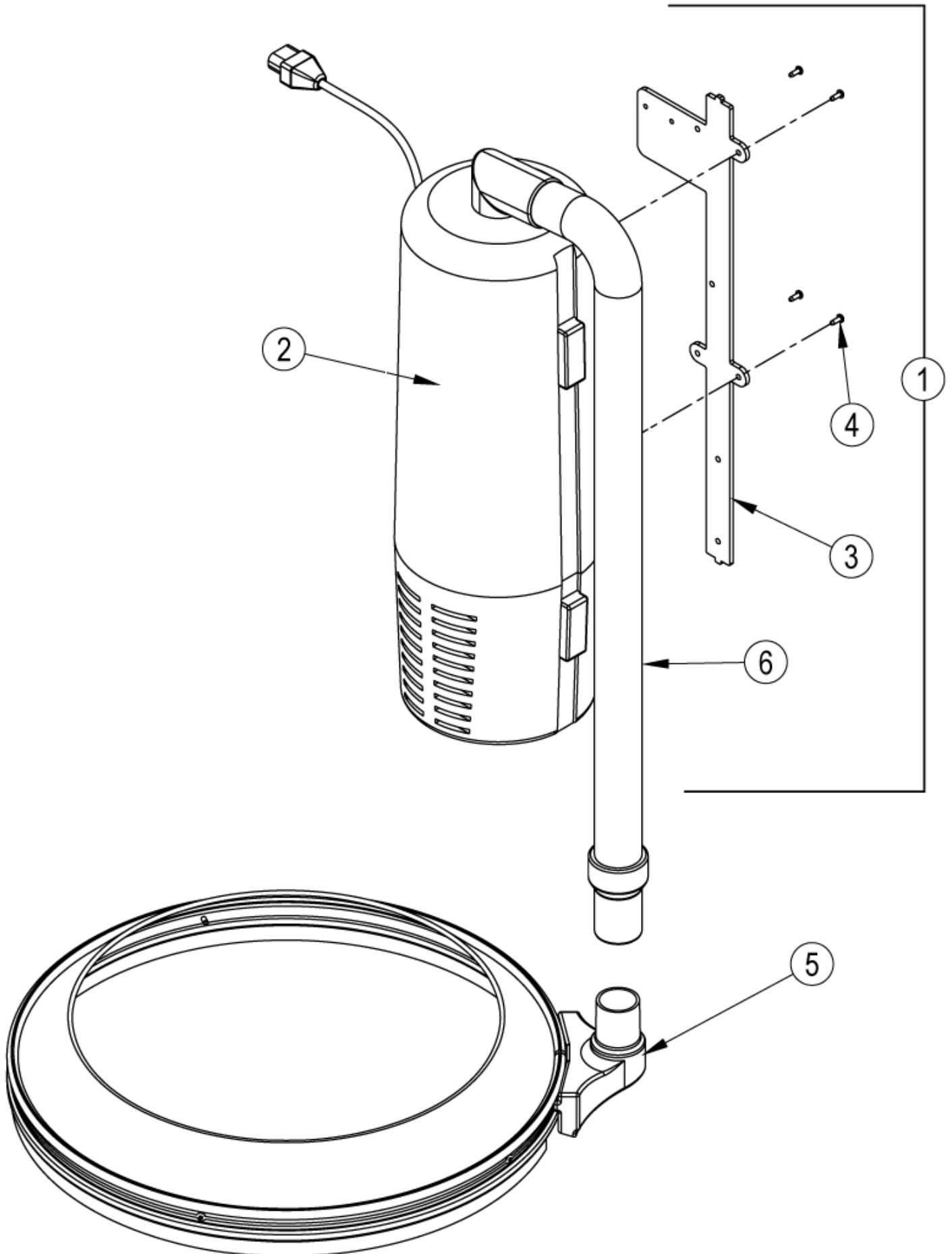
# Dust collection kit 56381571

SPINTEC 443

04-11-2014

Part List ID  
56090076

22



# Dust collection kit 56381571

SPINTEC 443

04-11-2014

Part List ID  
56090076

23

Pos	Part no.	Qty	Description
0	56381571	1	DUST COLLECTION KIT
1		1	NOTE COMMENT Dust Control Assy NOTE 1
2		1	NOTE COMMENT Vacuum Assembly
3		1	NOTE COMMENT Bracket
4		4	NOTE COMMENT Screw M4-1.79 x 20mm
5	10394A	1	DUST SKIRT ASM
6	147 1237 500	1	HOSE CPL.L1250
NI	147 1098 500	1	DUST BAG KIT 5L 5-PCS

NOTE 1: Refer to the GD 5, GD 10, GD 5 Battery parts list for Dust Control Assy replacement parts.