

# IV 040

---

Model:  
IV 040



Part List US-English

11-05-2014

# Table of Contents

IV 040

<b>Trolley</b>	<b>3</b>
<b>Safety / Absolute filter container</b>	<b>5</b>
<b>Containers</b>	<b>7</b>
<b>Filters and Top container</b>	<b>9</b>
<b>Standard version - electric box</b>	<b>11</b>
<b>Standard version - wiring diagram 1</b>	<b>13</b>
<b>Standard version - wiring diagram 2</b>	<b>15</b>
<b>Filter shaker version - electric box</b>	<b>17</b>
<b>Filter shaker version - wiring diagram 1</b>	<b>19</b>
<b>Filter shaker version - wiring diagram 2</b>	<b>21</b>
<b>230V version - electric box</b>	<b>23</b>
<b>230V version - wiring diagram 1</b>	<b>25</b>
<b>230V version - wiring diagram 2</b>	<b>27</b>
<b>Cartidge - electric box</b>	<b>29</b>
<b>Cartiridge - wiring diagram</b>	<b>31</b>
<b>Vacuum Pump system</b>	<b>33</b>
<b>Standard Electrical components</b>	<b>35</b>
<b>Electrical filter shaker</b>	<b>37</b>
<b>Dust bag system</b>	<b>39</b>
<b>Safe bag system</b>	<b>41</b>
<b>Plastic bag system</b>	<b>43</b>
<b>S.S. Container</b>	<b>45</b>
<b>Liquid system</b>	<b>47</b>
<b>Cartridge Cpl.</b>	<b>49</b>
<b>Class M.</b>	<b>51</b>
<b>Class H.</b>	<b>53</b>
<b>Asbestos</b>	<b>55</b>
<b>ABS Container</b>	<b>57</b>
<b>HEPA Filter</b>	<b>59</b>
<b>SAFETY Filter</b>	<b>61</b>

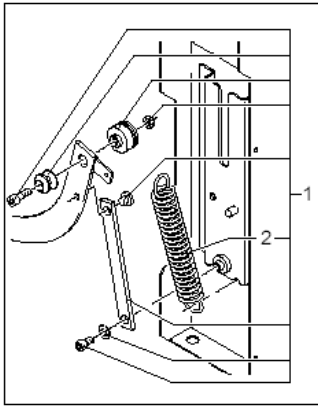
# Trolley

IV 040

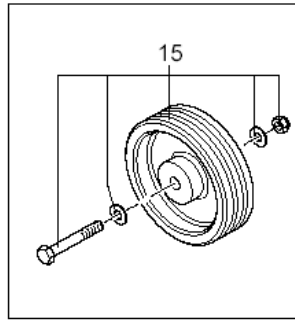
11-05-2014

Part List ID  
G20333

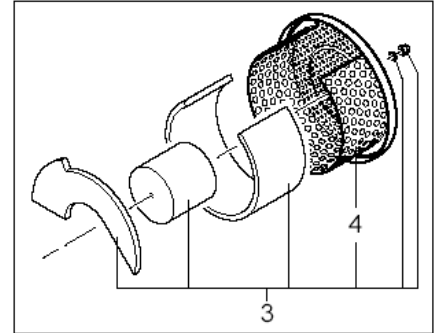
3



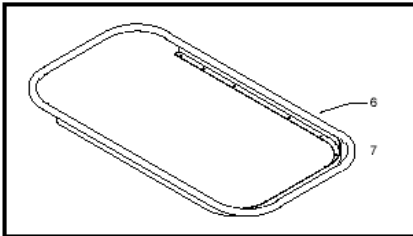
40 A



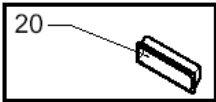
42 A



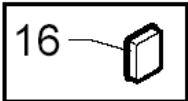
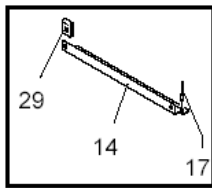
43 A



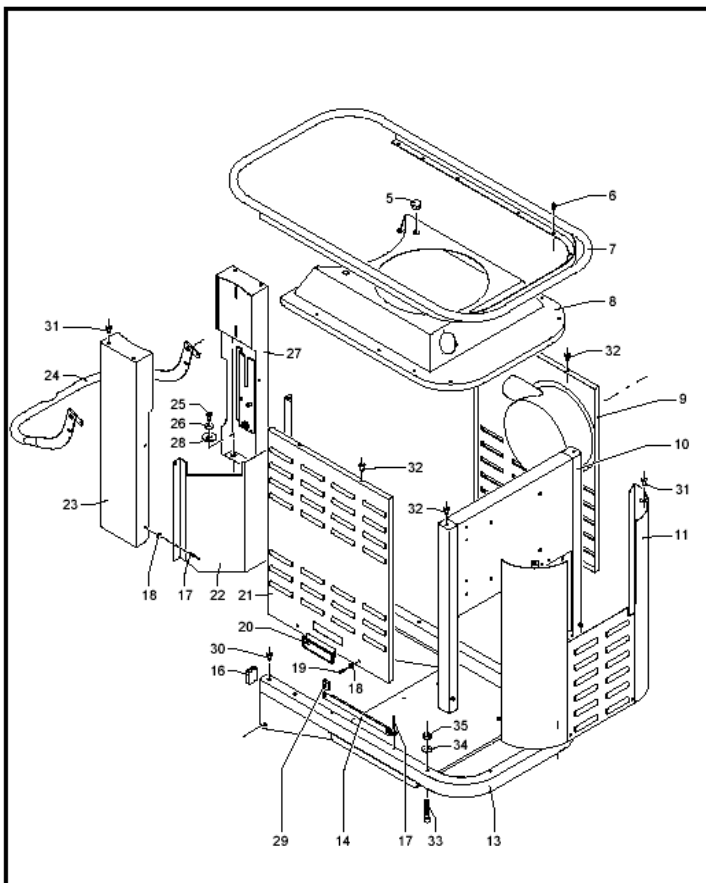
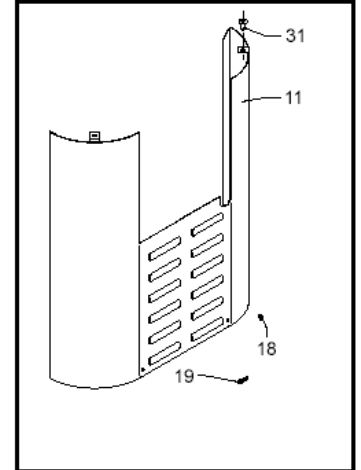
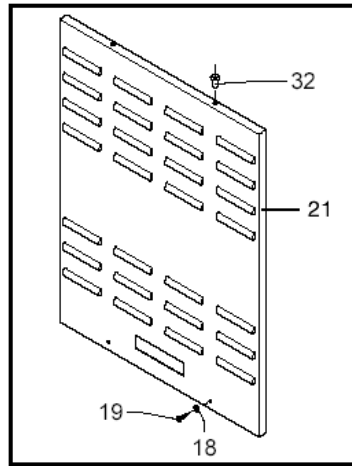
46 A



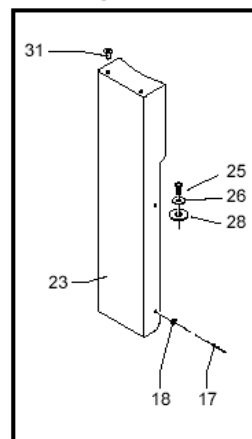
44 A



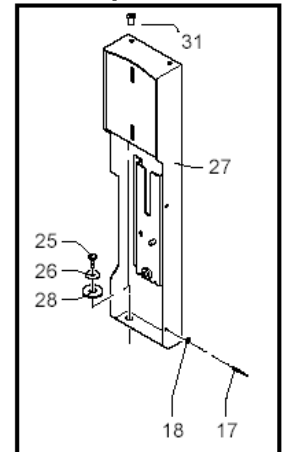
47 A



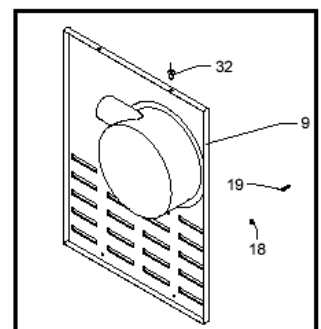
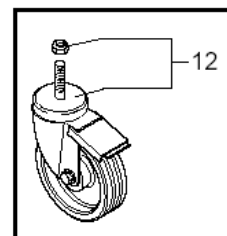
45 A



45 B



41 A



# Trolley

IV 040

11-05-2014

Part List ID

GZU333

4

Pos	Part no.	Qty	Description
1	32400349	1	LEVER.FOR LOWERING COMPLET
2	32400350	2	SPRINGS.KIT FOR LOWERING
3	32400352	1	SOUNDPROOF.INSERT X DIFF.
4	32400361	1	COVERING.KIT FOR EXHAUST OUTLET
12	32400319	2	WHEEL.PIVOTING KIT
15	32400320	2	WHEEL.KIT COMPLETE
24	32400348	1	LEVER.FOR PUSHING KIT D.460
30	32400249	4	RIVET M8 WURTH094860 08
33	32400255	2	SCREW M8X65 UNI5931
40A	32400774	1	HANDLE.GUIDE COMPLETE
41A	32400775	1	PANEL.LEFT COMPLETE
42A	32400776	1	PANEL.RIGHT COMPLETE
43A	32400777	1	CASE.REAR KIT COMPLETE
44A	32400778	2	HANDLE.FOR PANEL KIT COMPLETE
45A	32400779	1	PILLAR.RIGT COMPLETE
45B	32400780	1	PILLAR.LEFT COMPLETE
46A	32400781	1	LEDGE.COMPLETE IV022/040
47A	32400782	1	PLUG.X CLOSING BASE SET

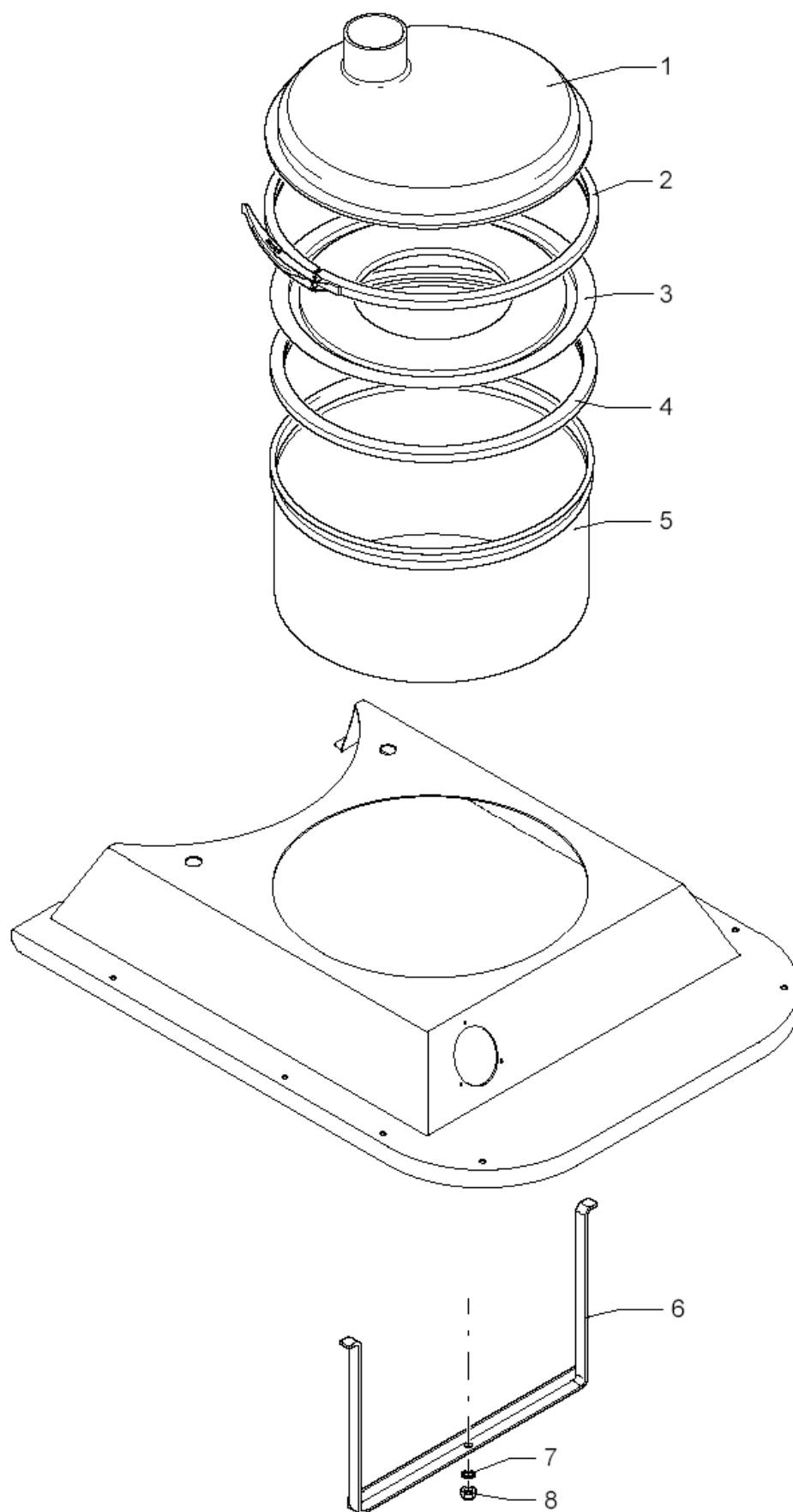
# Safety / Absolute filter container

11-05-2014

Part List ID G20335

IV 040

5



# Safety / Absolute filter container

IV 040

11-05-2014

Part List ID  
GZU335

6

Pos	Part no.	Qty	Description
1	32400097	1	CAP. FOR FILTER ABSOLUTE
2	32400041	1	CLAMPING BAND.D360
3	32400295	1	RING.FOR FILTER
4	32400337	1	GASKET.FOR RING KIT D.360

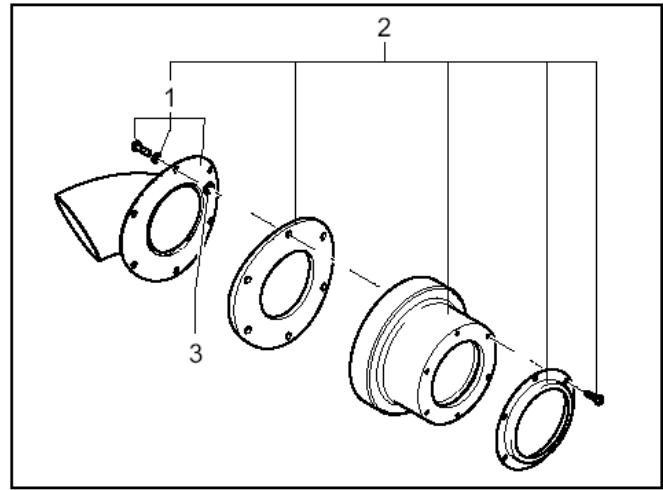
# Containers

IV 040

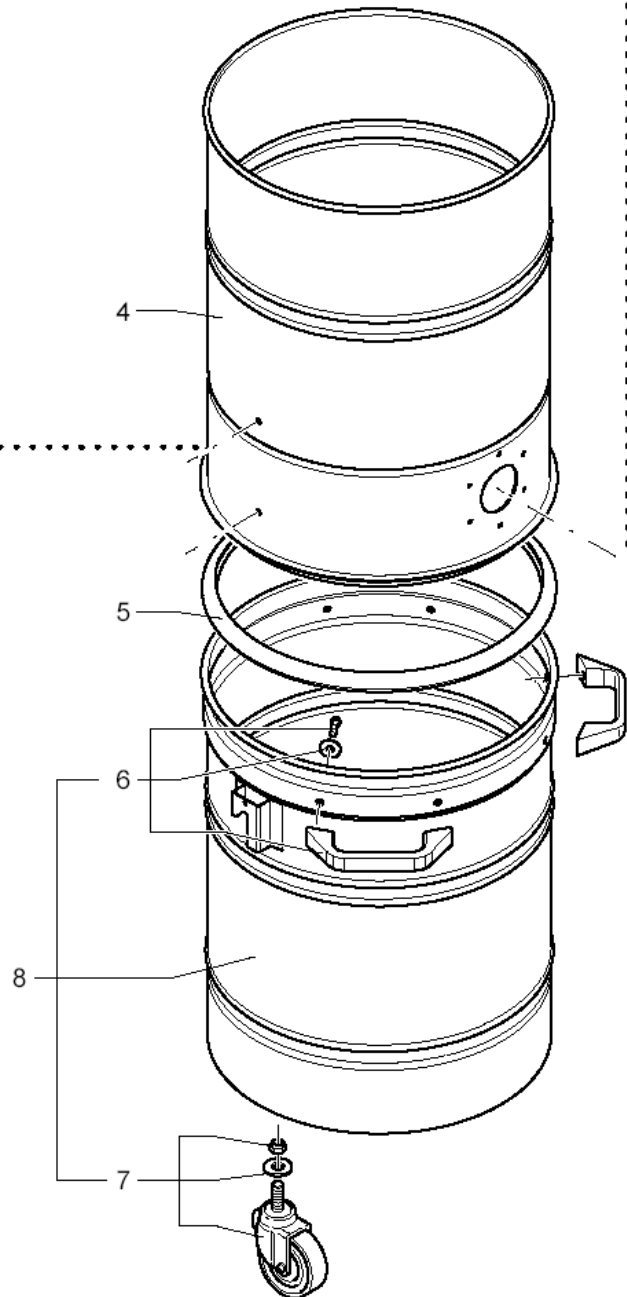
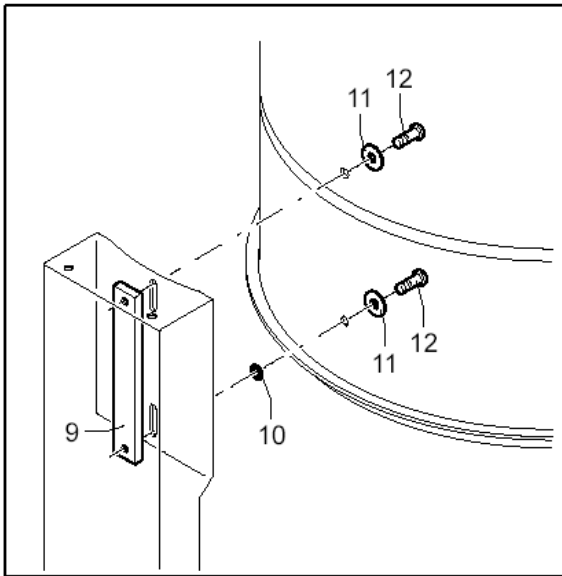
11-05-2014

Part List ID  
G20337

7



13 A



# Containers

IV 040

11-05-2014

Part List ID

GZ0337

8

Pos	Part no.	Qty	Description
1	32400340	1	DEFLECTOR.KIT IV022/040/055/075/110
2	32400358	1	INLET.KIT D70/50 MM IV022/040
4	32400353	1	CHAMBER.FILTER KIT D.460
5	32400338	1	GASKET.SHAPED KIT D.460
6	32400333	1	HANDLE.KIT FOR CONTAINER
7	32400332	1	WHEELS.CONTAINER COMPLETE IV022/040
8	32400339	1	CONTAINER.KIT IV022/040
13A	32400788	1	PLATE.FOR FIXING COMPL. IV022/040



# Filters and Top container

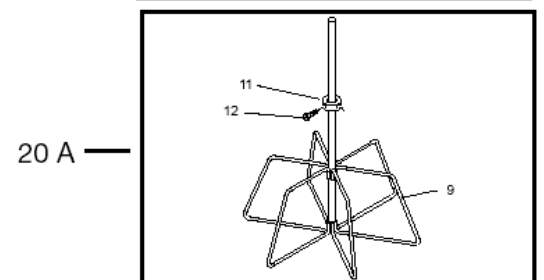
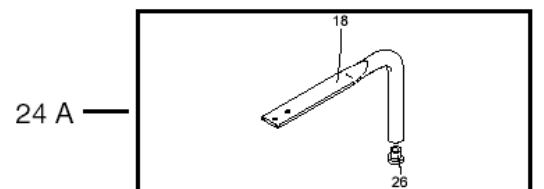
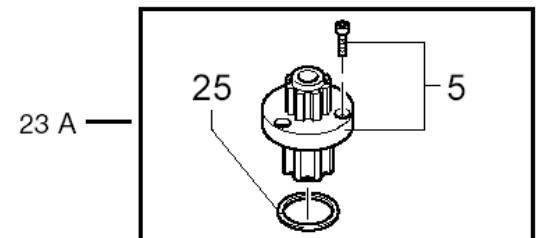
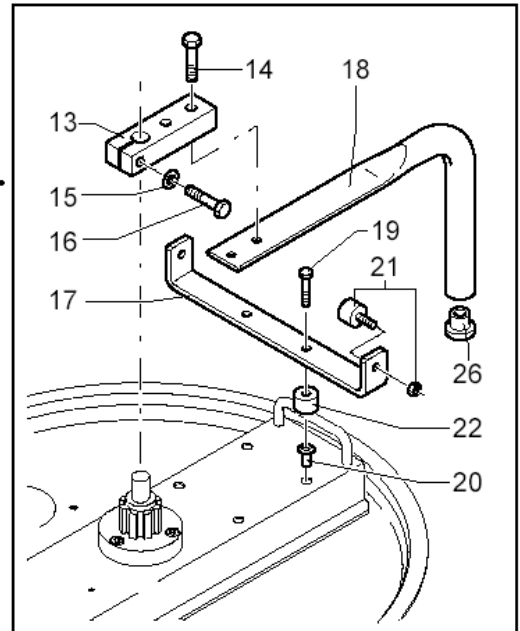
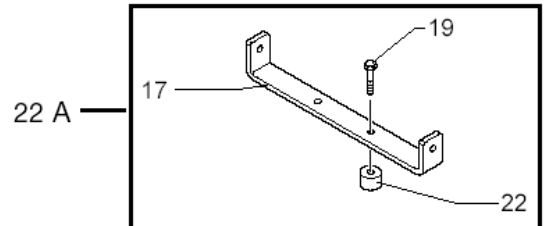
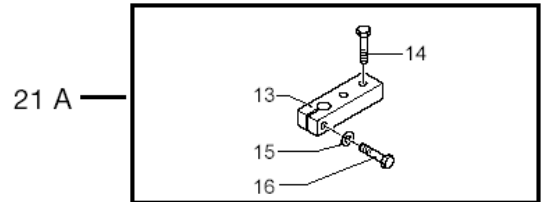
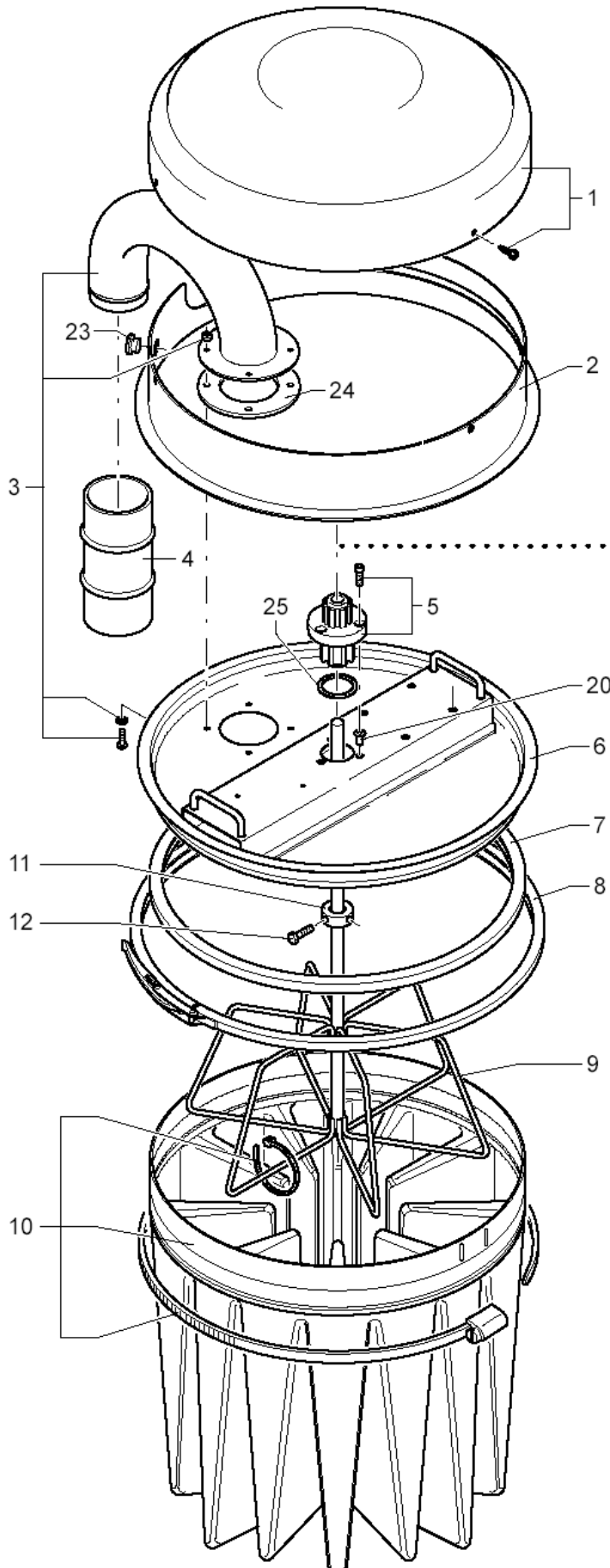
IV 040

11-05-2014

Part List ID

G20339

9



# Filters and Top container

IV 040

11-05-2014

Part List ID

GZ0339

10

Pos	Part no.	Qty	Description
1	32400346	1	CAP.KIT D.460
2	32400021	1	COLLAR.FOR CHAMBER
3	32400354	1	COONECTION .PIPE KIT IV022/040
4	40000684	1	SUCTION HOSE KIT MOD 3507
5	32400325	1	BUSHING.FILTER SHAKER KIT
6	32400073	1	FILTER CARRIER.D.460
7	32400336	1	GASKET.FOR RING KIT D.460
8	32400344	1	CLAMPING BAND.KIT D.460
10	32400326	1	FILTER.POLYESTER KIT
10	32400327	1	FILTER.PTFE D.460 KIT
10	32400328	1	FILTER.ANTISTATIC KIT
10	32400329	1	FILTER.ANTISTATIC + PTFE KIT
10	32400330	1	FILTER.NOMEX KIT
10	32400331	1	FILTER.CLASS M KIT D.460 IV022/040
20A	32400783	1	CAGE.FILTER KIT
21A	32400784	1	LEVER.X MOVING KIT COMPL.
22A	32400785	1	PLATE STOP. KIT COMPLETE IV022/040
23A	32400786	1	LEVER.FILTER SHAKER IV022/040
24A	32400787	1	BUSHING.FILTER SHAKER

# Standard version - electric box

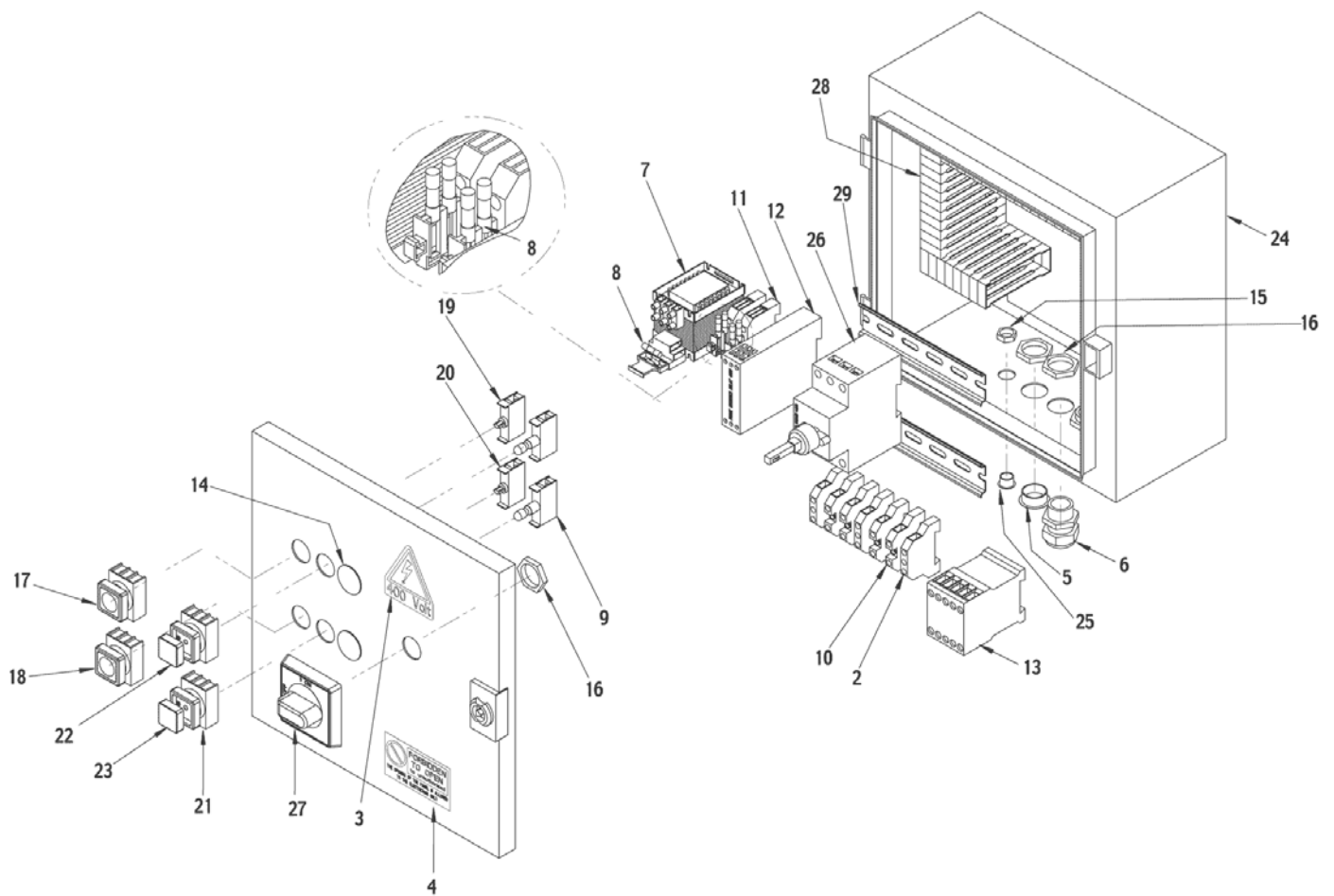
IV 040

11-05-2014

Part List ID

G203214

11



# Standard version - electric box

IV 040

11-05-2014

Part List ID  
G2U3Z14

12

Pos	Part no.	Qty	Description
2	Z8 39121	3	TERMINAL EARTH 6MMQ S
3	32401167	1	DECAL. VOLTAGE PRESENCE DECAL. VOLTAGE
4	Z8 17689	1	LABEL FORBIDDEN TO OPEN 82X42
6	Z8 39055	2	CABLE GLAND PG16 PA
7	Z8 391050	1	TRANSFORMER 20VA 400-230/24V FUSE AT SEC
8	32401192	5	GLASS FUSE 5X20 1A DELAY GLASS FUSE 5X20
9	Z8 39114	2	LAMP BA9 V24
10	Z8 39120	4	TERMINAL LINE 6MMQ S
11	Z8 39244	2	TERMINAL FUSEHOLDER 1.5mmq S 5X20
12	Z8 391120	1	RELAY PHASE SEQUENCE 180-600V
13	Z8 39281	1	CONTACTOR KW4 24VAC 1NO SIRIUS S00
14	Z8 39522	2	PLUG BLIND CONTROL PLATE D22
15	Z8 39565	1	METAL RING NUT PG7
16	Z8 39568	4	METAL RING NUT PG16
17	32401221	1	PULSE. START PULSE. START
18	32401222	1	PULSE. STOP PULSE. STOP
19	32401224	1	CONTACT
20	32401225	1	CONTACT. NC CONTACT. NC
21	32401226	2	LAMP HOLDER P.C. LAMP HOLDER P.C.
22	32401227	1	LAMP. WHITE V24 P.C. LAMP. WHITE V24
23	32401228	1	LAMP. YELLOW V24 P.C. LAMP. YELLOW V24
24	32401229	1	STEEL BOX 300X300X160 + STEEL BOX
25	Z8 39745	1	PLUG BLIND PG7 PVC
26	Z8 39916	1	CIRCUIT BREAKER 9-12.5 A SIRIUS S0
27	Z8 39924	1	HANDLING TO SIRIUS S0 CIRCUIT BREAKER
28	32401241	1	RACEWAY 25x80 RACEWAY 25x80
29	32401243	2	GUIDE. OMEGA GUIDE. OMEGA

# Standard version - wiring diagram 1

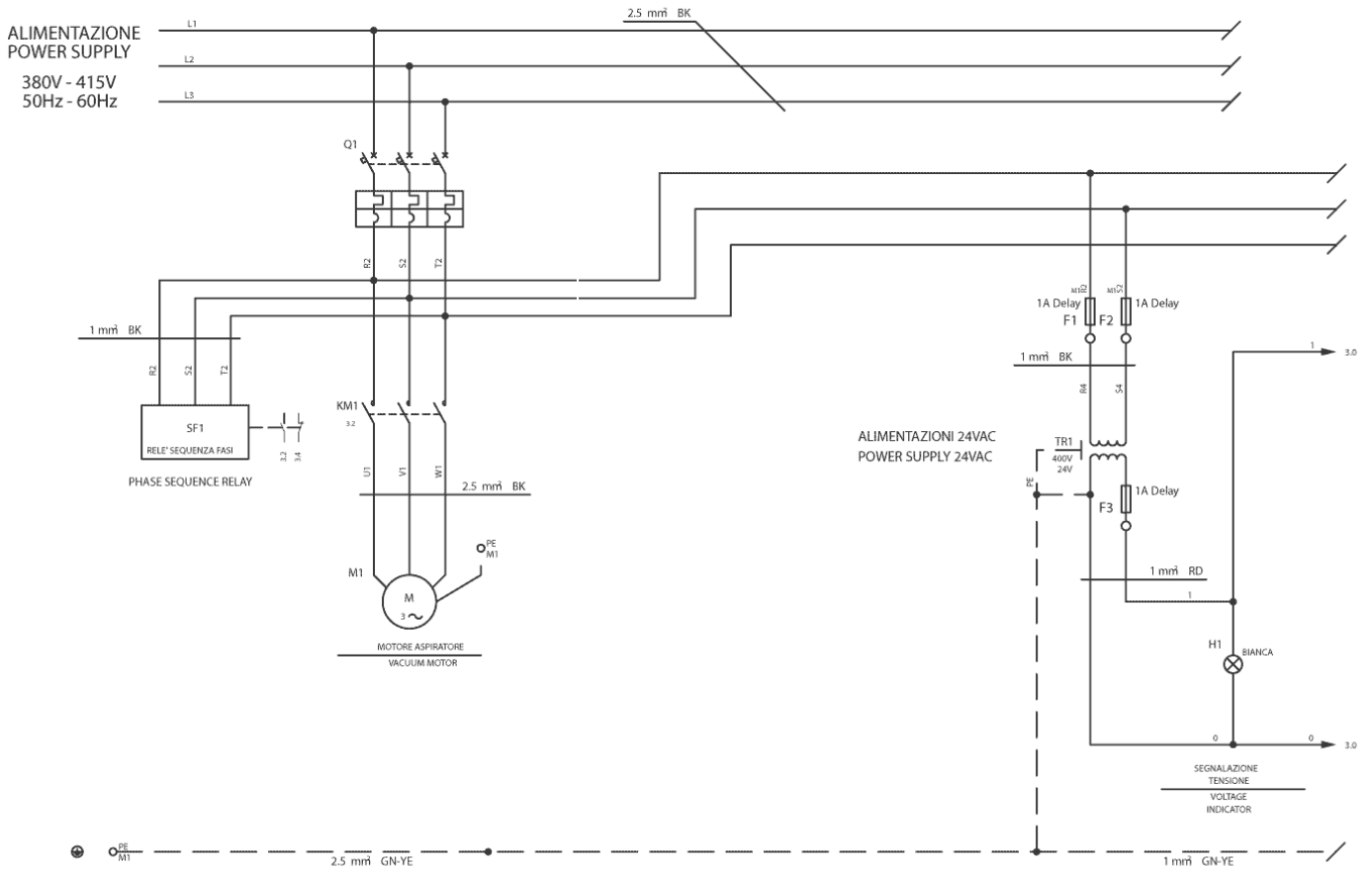
IV 040

11-05-2014

Part List ID  
G203215

13

WIRING DIAGRAM 32401149



Nome/Item	Descrizione/Description	Descrizione/Description
H1	SPIA BIANCA	WHITE LAMP
H3	SPIA GIALLA	YELLOW LAMP
KM1	TELERUTTORE HP 5,5 24VAC 1NO	CONTACTOR HP 5,5 24VAC 1NO
PA	PULSANTE	BUTTON
PM	PULSANTE	BUTTON
Q1	SALVAMOTORE 5,5-8 A	AUTOMATIC BREAKER 5,5-8 A
	SALVAMOTORE 9-12,5 A	AUTOMATIC BREAKER 9-12,5 A
SF1	RELE' SEQUENZA FASI 400V	PHASE SEQUENCE RELAY 400V
TR1	TRASFORMATORE 20VA 400/24V	TRANSFORMER 20VA 400/24V
M1	MORSETTO TERRA 6mmq S	GROUND TERMINAL 6mmq S
	MORSETTO PORTAFUSIBILE 1,5mmq S	FUSE HOLDER TERMINAL 1,5mmq S
	MORSETTO LINEA 6mmq S	LINE TERMINAL 6mmq S

# Standard version - wiring diagram 1

IV 040

11-05-2014

Part List ID  
G2U3Z15

14

# Standard version - wiring diagram 2

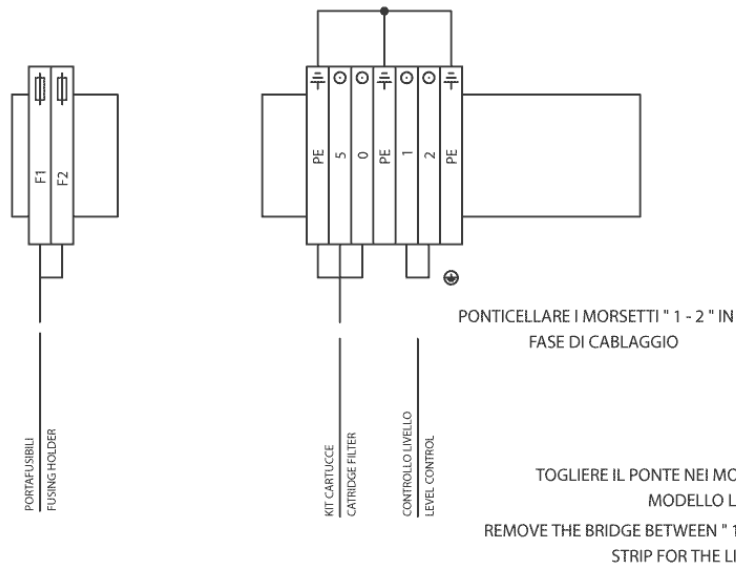
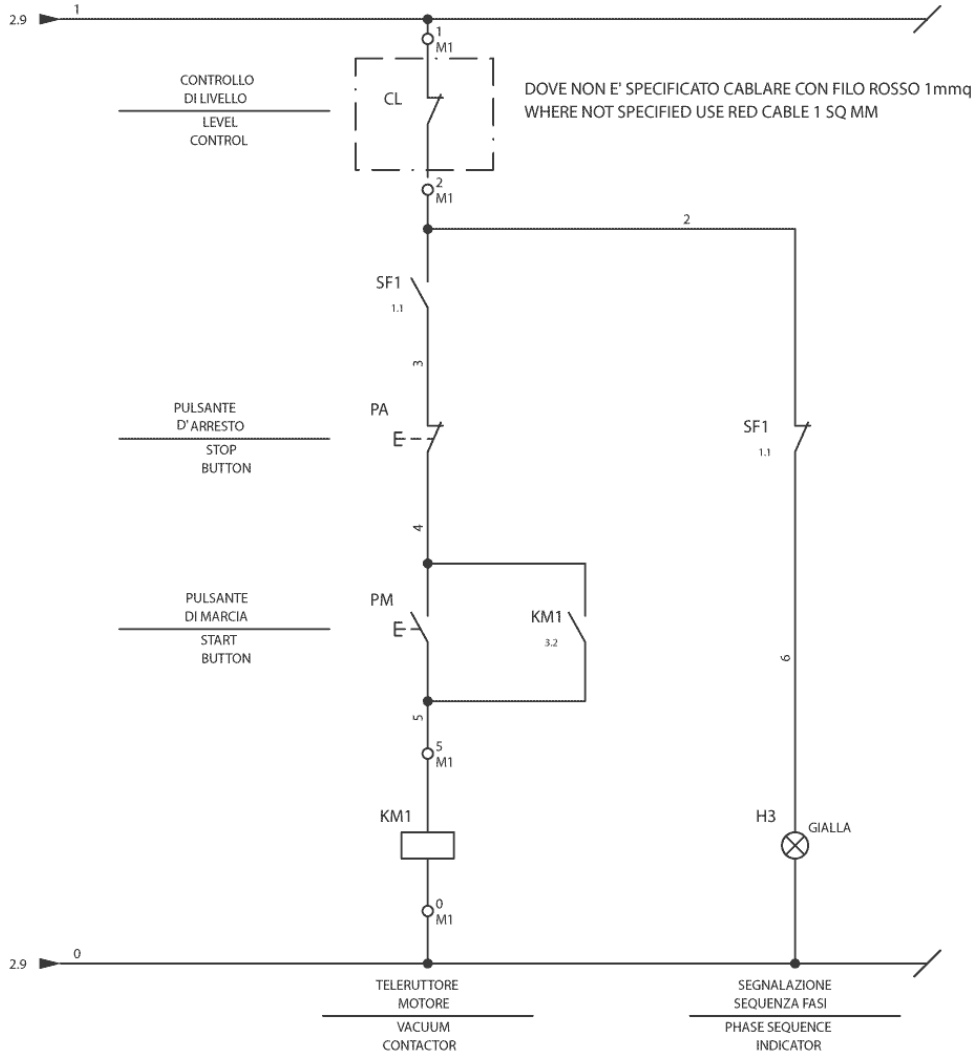
IV 040

11-05-2014

Part List ID  
G203216

15

WIRING DIAGRAM 32401149



# Standard version - wiring diagram 2

IV 040

11-05-2014

Part List ID  
G2U3Z16

16



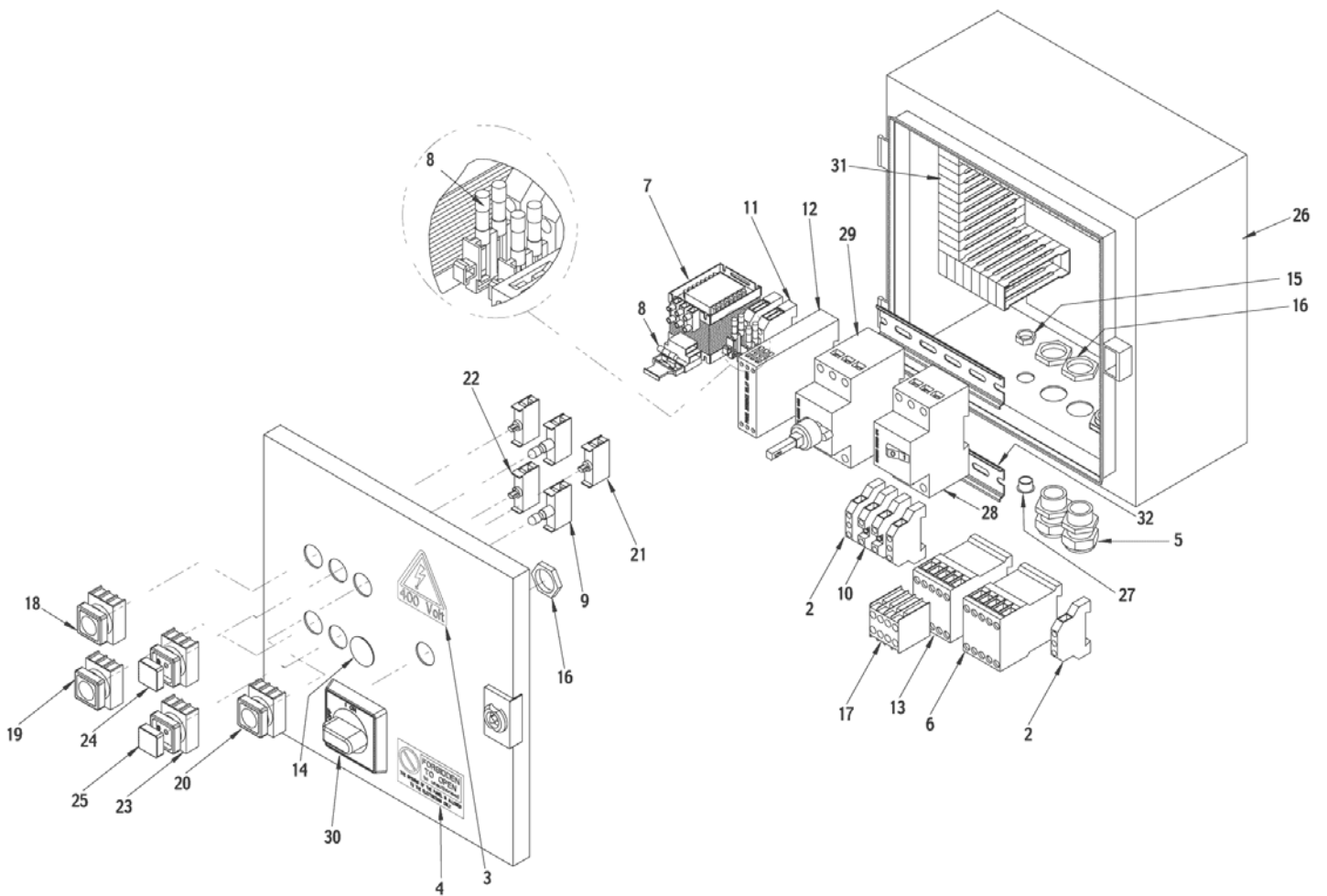
# Filter shaker version - electric box

IV 040

11-05-2014

Part List ID  
G203218

17



# Filter shaker version - electric box

IV 040

11-05-2014

Part List ID  
GZU3218

18

Pos	Part no.	Qty	Description
2	Z8 39121	3	TERMINAL EARTH 6MMQ S
3	32401167	1	DECAL. VOLTAGE PRESENCE DECAL. VOLTAGE
4	Z8 17689	1	LABEL FORBIDDEN TO OPEN 82X42
5	Z8 39055	3	CABLE GLAND PG16 PA
6	Z8 391006	1	CONTACTOR KW3 24VAC 1NC SIRIUS S00
7	Z8 391050	1	TRANSFORMER 20VA 400-230/24V FUSE AT SEC
8	32401192	5	GLASS FUSE 5X20 1A DELAY GLASS FUSE 5X20
9	Z8 39114	2	LAMP BA9 V24
10	Z8 39120	2	TERMINAL LINE 6MMQ S
11	Z8 39244	2	TERMINAL FUSEHOLDER 1.5mmq S 5X20
12	Z8 391120	1	RELAY PHASE SEQUENCE 180-600V
13	Z8 39281	1	CONTACTOR KW4 24VAC 1NO SIRIUS S00
14	Z8 39522	1	PLUG BLIND CONTROL PLATE D22
15	Z8 39565	1	METAL RING NUT PG7
16	Z8 39568	4	METAL RING NUT PG16
18	32401221	1	PULSE. START PULSE. START
19	32401222	1	PULSE. STOP PULSE. STOP
20	32401223	1	PULSE. ELECTRIC SHACKER PULSE. ELECTRIC
21	32401224	2	CONTACT
22	32401225	1	CONTACT. NC CONTACT. NC
23	32401226	2	LAMP HOLDER P.C. LAMP HOLDER P.C.
24	32401227	1	LAMP. WHITE V24 P.C. LAMP. WHITE V24
25	32401228	1	LAMP. YELLOW V24 P.C. LAMP. YELLOW V24
26	32401229	1	STEEL BOX 300X300X160 + STEEL BOX.
27	Z8 39745	1	PLUG BLIND PG7 PVC
28	Z8 39746	1	CIRCUIT BREAKER 0.7-1 A S00 SIRIUS S00
29	Z8 39916	1	CIRCUIT BREAKER 9-12.5 A SIRIUS S0
30	Z8 39924	1	HANDLING TO SIRIUS S0 CIRCUIT BREAKER
31	32401241	1	RACEWAY 25x80 RACEWAY 25x80
32	32401243	2	GUIDE. OMEGA GUIDE. OMEGA

# Filter shaker version - wiring diagram 1

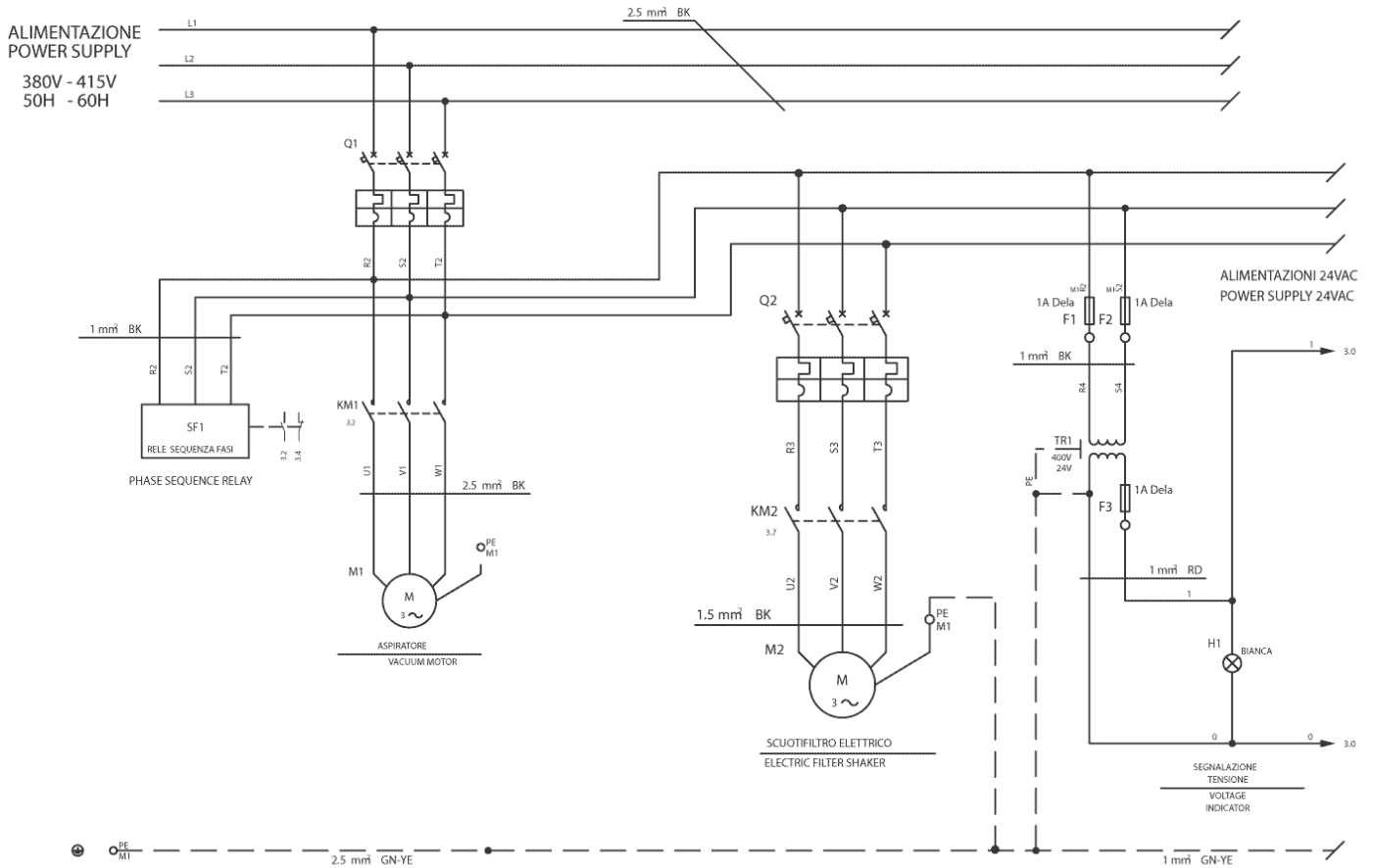
IV 040

11-05-2014

Part List ID  
G203219

19

WIRING DIAGRAM 32401150



Nome/Item	Descrizione/Description	Descrizione/Description
H1	SPIA BIANCA	WHITE LAMP
H3	SPIA GIALLA	YELLOW LAMP
KM1	TELERUTTORE HP 5,5 24VAC 1NO	CONTACTOR HP 5,5 24VAC 1NO
KM2	TELERUTTORE 3KW 1NC	CONTACTOR 3KW 1NC
PA	PULSANTE	BUTTON
PM	PULSANTE	BUTTON
PS1	PULSANTE	BUTTON
Q1	SALVAMOTORE 5,5-8 A SALVAMOTORE 9-12,5 A	AUTOMATIC BREAKER 5,5-8 A AUTOMATIC BREAKER 9-12,5 A
Q2	SALVAMOTORE 0,7 - 1 A S00	AUTOMATIC BREAKER 0,7 - 1 A S00
SF1	RELE SEQUENZA FASI 400V	PHASE SEQUENCE RELAY 400V
TR1	TRASFORMATORE 20VA 400/24V	TRANSFORMER 20VA 400/24V
M1	MORSETTO PORTAFUSIBILE 1,5mmq S MORSETTO LINEA 6mmq S MORSETTO TERRA 6mmq S	FUSE HOLDER TERMINAL 1,5mmq S LINE TERMINAL 6mmq S GROUND TERMINAL 6mmq S

# Filter shaker version - wiring diagram 1

IV 040

11-05-2014

Part List ID  
G2U3Z19

20

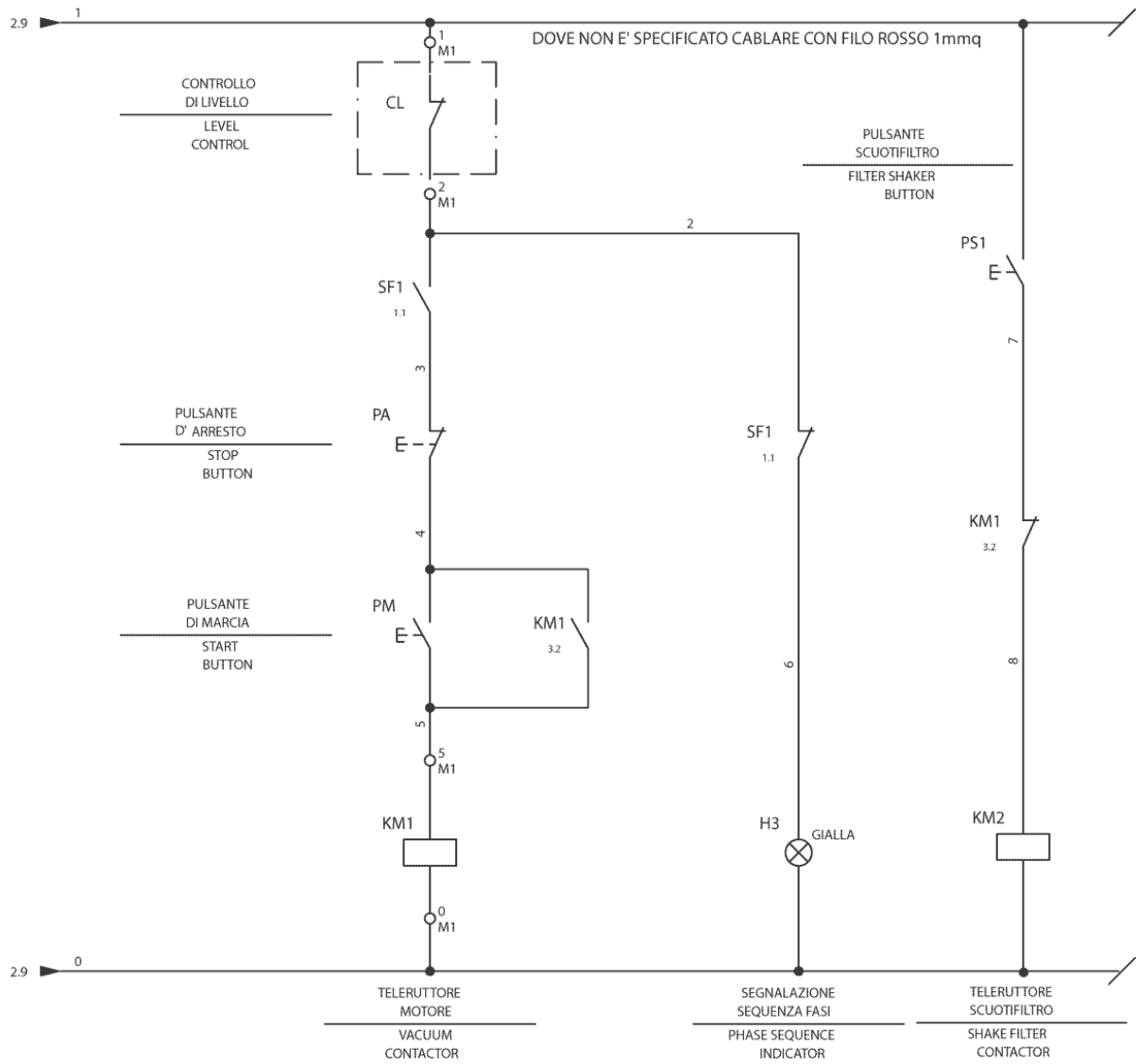
# Filter shaker version - wiring diagram 2

IV 040

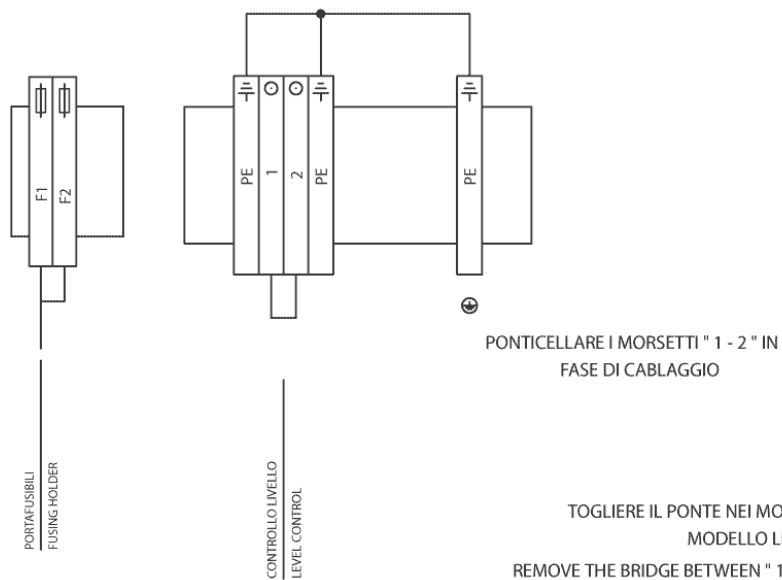
11-05-2014

Part List ID  
G203220

21



WIRING DIAGRAM 32401150



# Filter shaker version - wiring diagram 2

IV 040

11-05-2014

Part List ID  
G203220

22

# 230V version - electric box

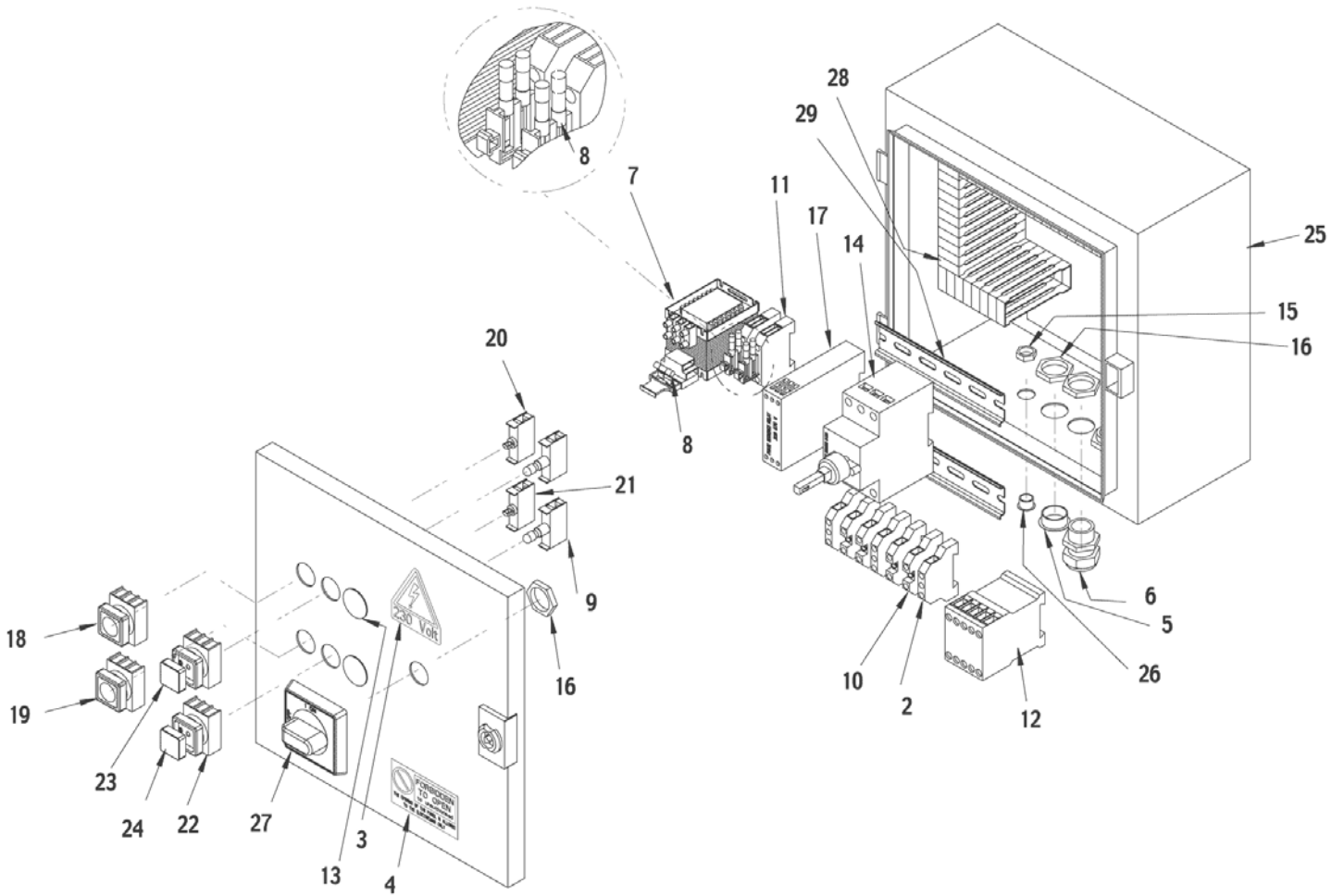
IV 040

11-05-2014

Part List ID

G203222

23



# 230V version - electric box

IV 040

11-05-2014

Part List ID

G2U3Z2Z

24

Pos	Part no.	Qty	Description
2	Z8 39121	3	TERMINAL EARTH 6MMQ S
3	32401168	1	DECAL. VOLTAGE PRESENCE DECAL. VOLTAGE
4	Z8 17689	1	LABEL FORBIDDEN TO OPEN 82X42
6	Z8 39055	2	CABLE GLAND PG16 PA
7	Z8 391050	1	TRANSFORMER 20VA 400-230/24V FUSE AT SEC
8	32401192	5	GLASS FUSE 5X20 1A DELAY GLASS FUSE 5X20
9	Z8 39114	2	LAMP BA9 V24
10	Z8 39120	4	TERMINAL LINE 6MMQ S
11	Z8 39244	2	TERMINAL FUSEHOLDER 1.5mmq S 5X20
12	Z8 39281	1	CONTACTOR KW4 24VAC 1NO SIRIUS S00
13	Z8 39522	2	PLUG BLIND CONTROL PLATE D22
14	Z8 39535	1	CIRCUIT BREAKER 14-20 A SIRIUS S0
15	Z8 39565	1	METAL RING NUT PG7
16	Z8 39568	4	METAL RING NUT PG16
17	Z8 391120	1	RELAY PHASE SEQUENCE 180-600V
18	32401221	1	PULSE. START PULSE. START
19	32401222	1	PULSE. STOP PULSE. STOP
20	32401224	1	CONTACT
21	32401225	1	CONTACT. NC CONTACT. NC
22	32401226	2	LAMP HOLDER P.C. LAMP HOLDER P.C.
23	32401227	1	LAMP. WHITE V24 P.C. LAMP. WHITE V24
24	32401228	1	LAMP. YELLOW V24 P.C. LAMP. YELLOW V24
25	32401229	1	STEEL BOX. 300X300X160 + STEEL BOX.
26	Z8 39745	1	PLUG BLIND PG7 PVC
27	Z8 39924	1	HANDLING TO SIRIUS S0 CIRCUIT BREAKER
28	32401241	1	RACEWAY 25x80 RACEWAY 25x80
29	32401243	2	GUIDE. OMEGA GUIDE. OMEGA



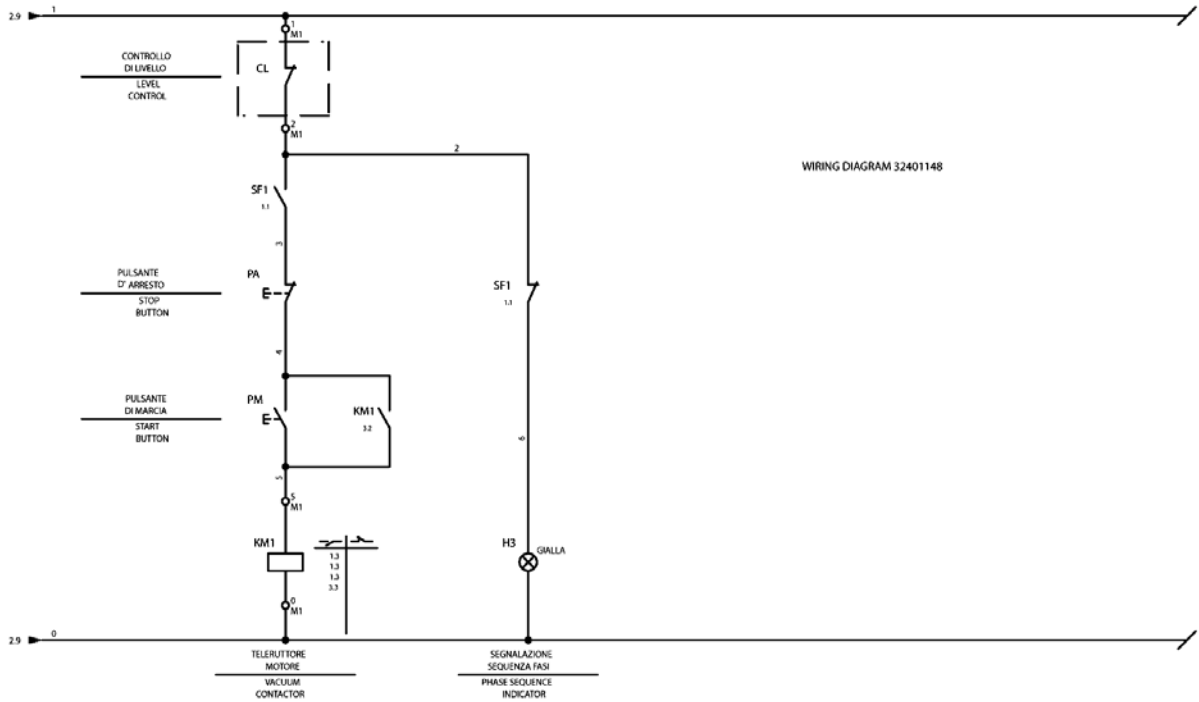
# 230V version - wiring diagram 1

IV 040

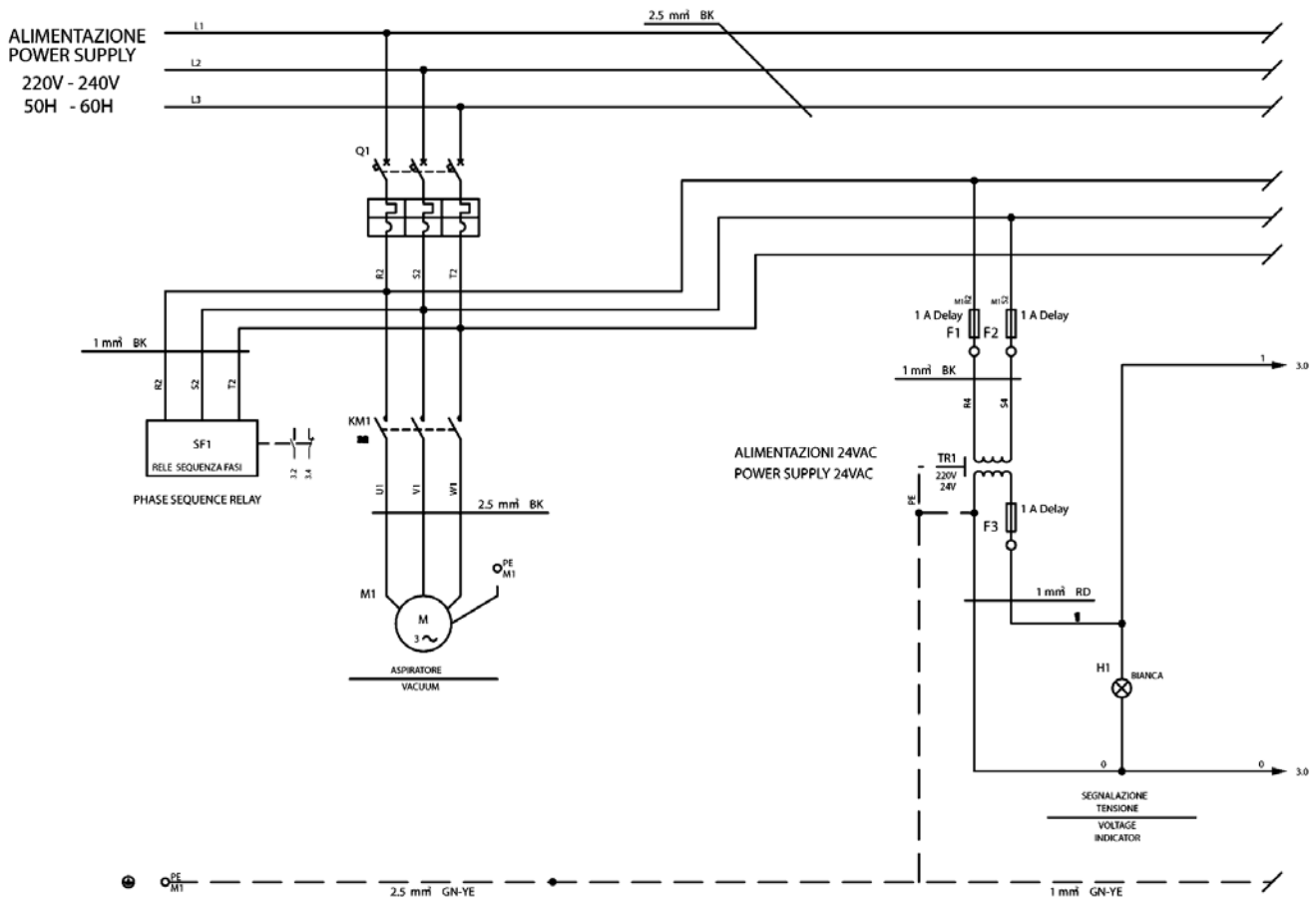
11-05-2014

Part List ID G203223

25



DOVE NON E' SPECIFICATO CABLARE CON FILO ROSSO 1mmq



# 230V version - wiring diagram 1

IV 040

11-05-2014

Part List ID  
G2U3Z23

26

# 230V version - wiring diagram 2

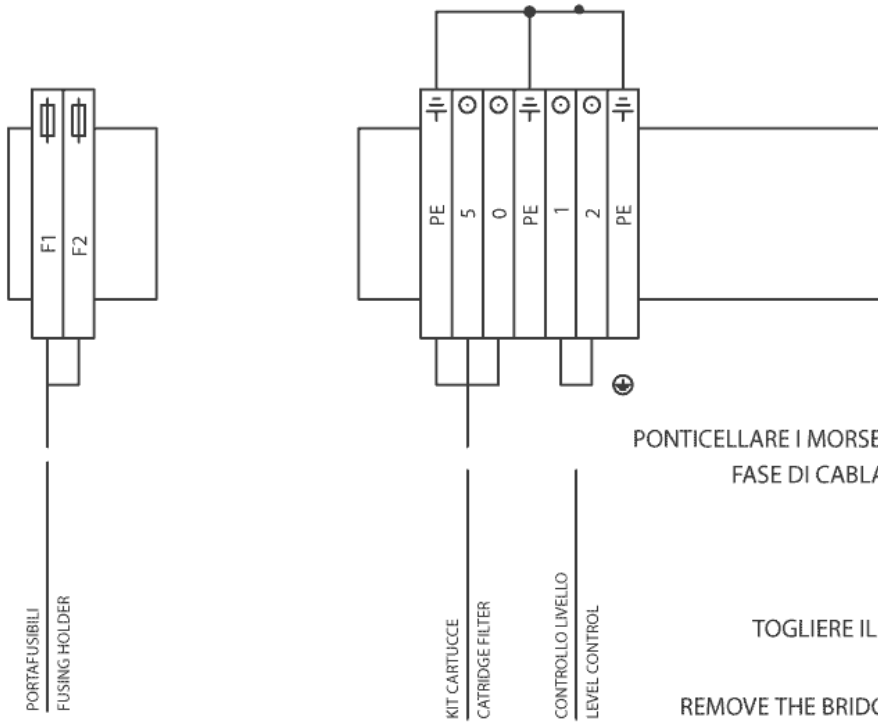
IV 040

11-05-2014

Part List ID  
G203224

27

WIRING DIAGRAM 32401148



PONTICELLARE I MORSETTI "1 - 2" IN  
FASE DI CABLAGGIO

TOGLIERE IL PONTE NEI MORSETTI "1 - 2" NEL  
MODELLO LIQUIDI  
REMOVE THE BRIDGE BETWEEN "1 - 2" OF THE TERMINAL  
STRIP FOR THE LIQUID KIT

Nome/Item	Descrizione/Description	Descrizione/Description
H1	SPIA BIANCA V24 CEMA	WHITE LAMP V24
H3	SPIA GIALLA V24 CEMA	YELLOW LAMP V24
KM1	TELERUTTORE HP 5,5 24VAC 1NO	CONTACTOR HP 5,5 24VAC 1NO
PA	PULSANTE ROSSO CEMA	RED BUTTON
PM	PULSANTE VERDE CEMA	GREEN BUTTON
Q1	SALVAMOTORE 9 - 12,5 A	AUTOMATIC BREAKER 9-12,5 A
	SALVAMOTORE 14-20 A	AUTOMATIC BREAKER 14-20 A
SF1	RELE' SEQUENZA FASI 208-575V	PHASE SEQUENCE RELAY 208-575V
TR1	TRASFORMATORE 20VA 400/24V	TRANSFORMER 20VA 400/24V
M1	MORSETTO TERRA 6mmq 5	GROUND TERMINAL 6mmq 5
	MORSETTO PORTAFUSIBILE 1,5mmq 5	FUSE HOLDER TERMINAL 1,5mmq 5
	MORSETTO LINEA 6mmq 5	LINE TERMINAL 6mmq 5

# 230V version - wiring diagram 2

IV 040

11-05-2014

Part List ID  
G2U3Z24

28

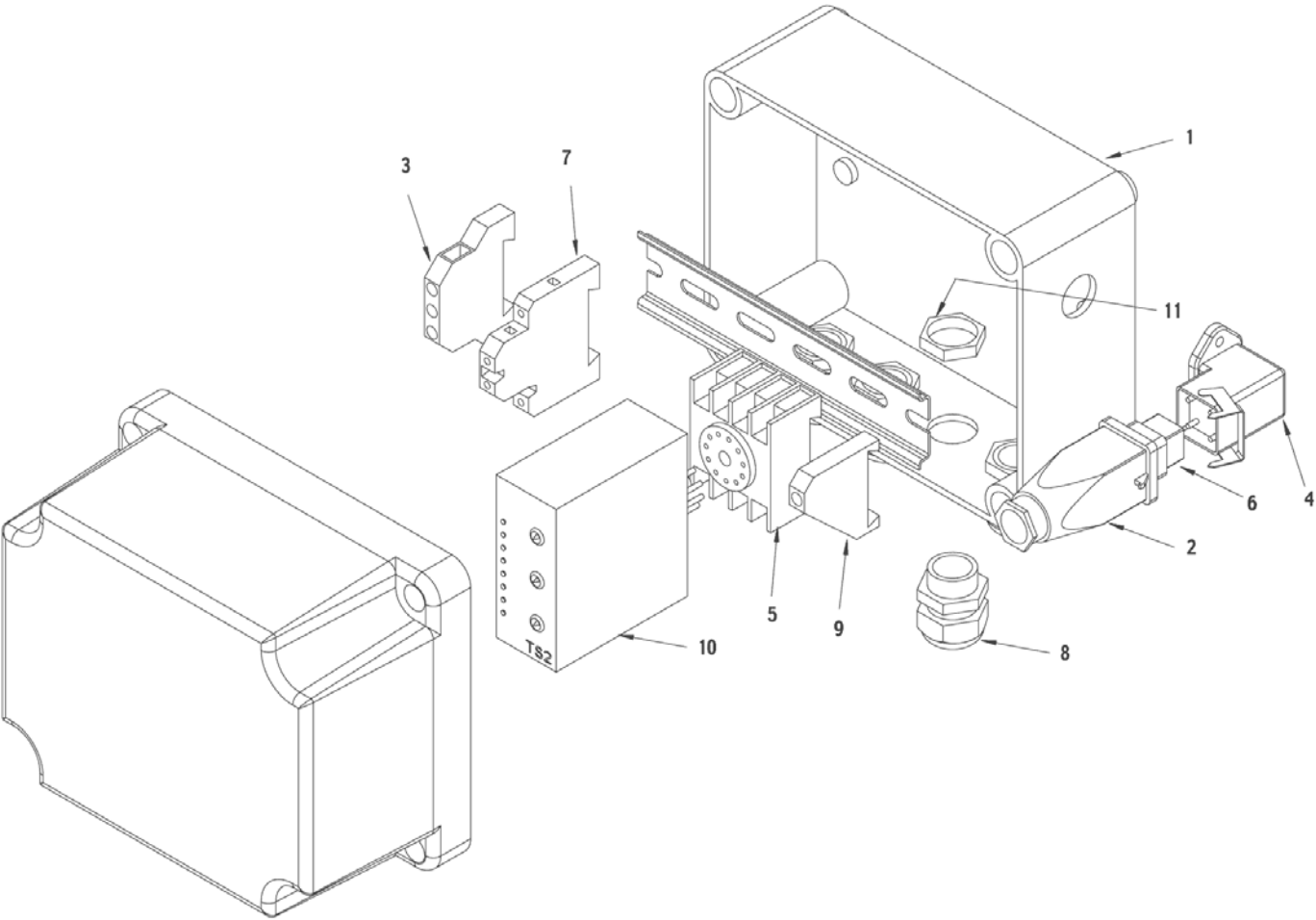
# Cartidge - electric box

IV 040

11-05-2014

Part List ID G203226

29



# Cartidge - electric box

IV 040

11-05-2014

Part List ID  
G2U3Z26

30

Pos	Part no.	Qty	Description
1	Z8 41039	1	E.B. KIT CART. D3-460 24VAC IP55
2	Z8 39098	1	INT.REG.SUPPORT
3	Z8 39121	1	TERMINAL EARTH 6MMQ S
4	Z8 39186	1	FIX CASE x 3-4P+E GW BENT 90 PLASTIC IP6
5	Z8 39237	1	BASE x TIMER 11 PIN PF
6	Z8 39345	1	OUTLET INSERT 3P+E GW PLASTIC
7	Z8 39554	1	TERMINAL DOUBLE CONTACT 4MMQ DK4QV/35
8	Z8 39208	4	CABLE GLAND PG11 PA
9	Z8 39296	1	TERMINAL STOP x GUIDE 35mm S
10	Z8 391107	1	CYCLIC TIMER 24VAC 4OUT
11	Z8 39567	4	METAL RING NUT PG11

# Cartirde - wiring diagram

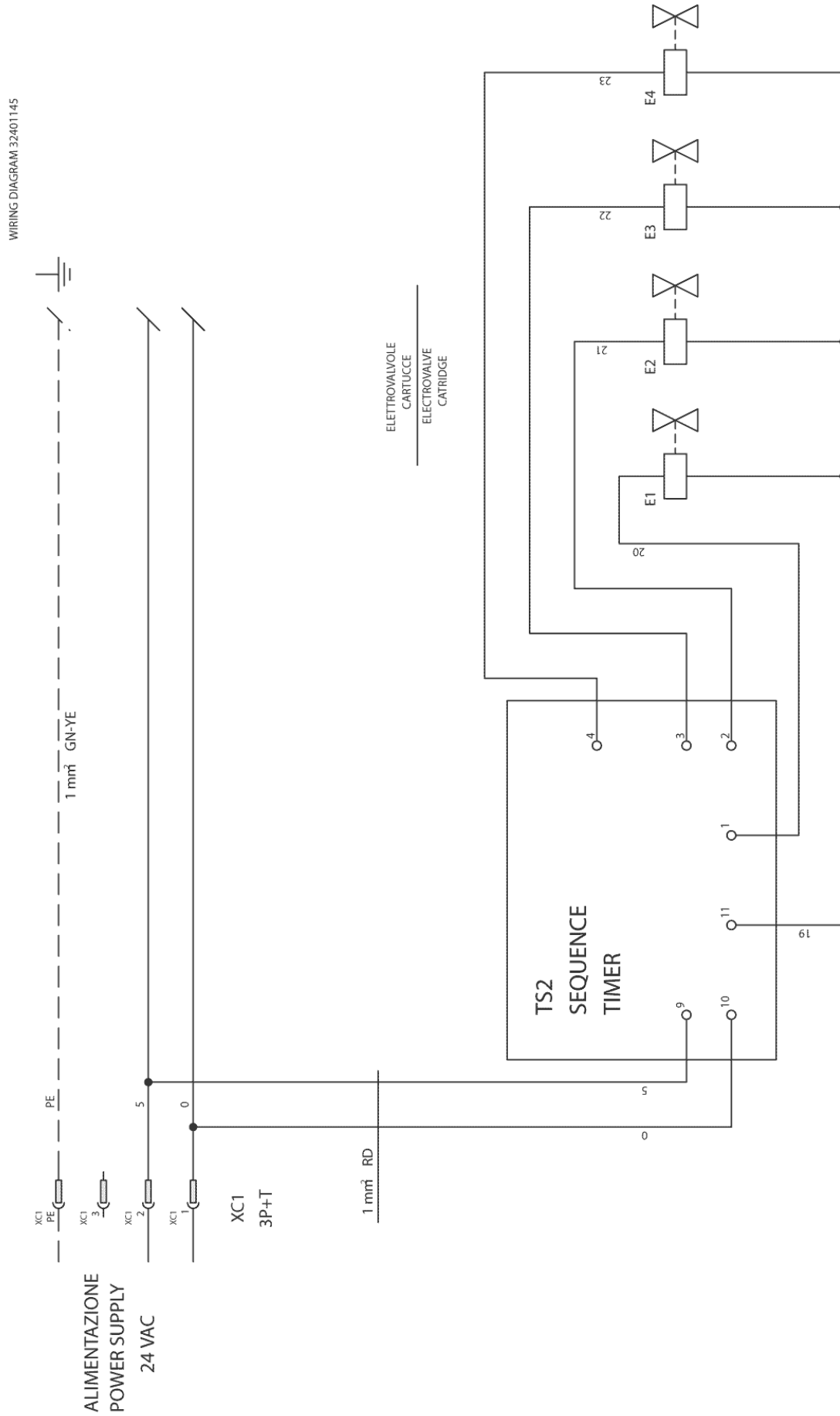
IV 040

11-05-2014

Part List ID

G203227

31



# Cartidge - wiring diagram

IV 040

11-05-2014

Part List ID

G203227

32



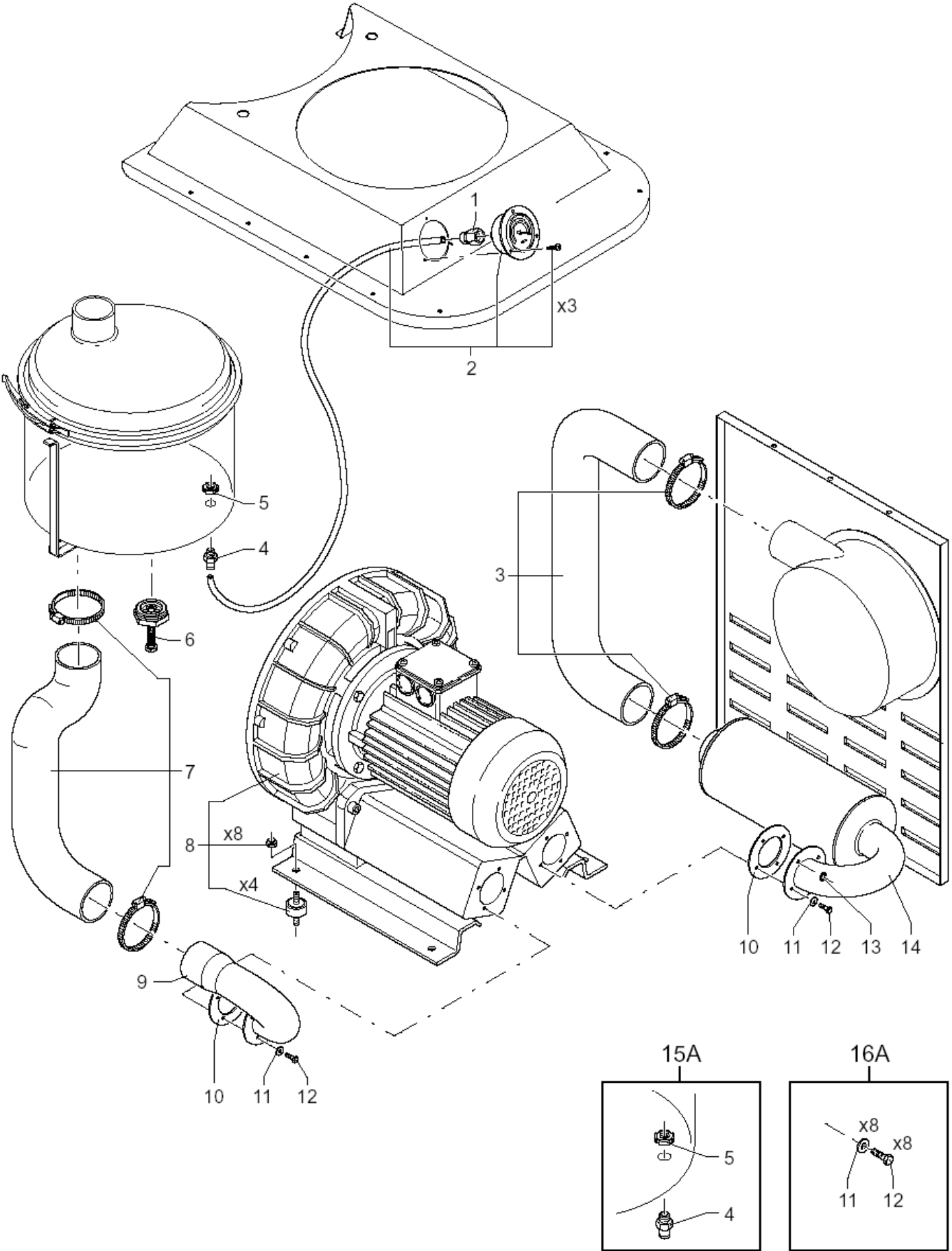
# Vacuum Pump system

IV 040

11-05-2014

Part List ID  
G203311

33



# Vacuum Pump system

IV 040

11-05-2014

Part List ID  
G2U3311

34

Pos	Part no.	Qty	Description
1	Z8 40196	1	CONNECTION STRAIGHT 1/4F D6
2	32400334	1	VACUUM GAUGE.KIT IV022 IV150
3	32400343	1	HOSE.BLOWING KIT
6	32400363	1	VALVE.SAFTY COMPLETE IV022
7	32400342	1	HOSE.FOR SUCTION KIT IV022/040
8	32400321	1	PUMP.KIT 4 KW
8	32400322	1	PUMP.KIT 2.2 KW
9	32400001	1	PIPE FITTING.FOR SUCTION
10	Z8 17542	2	JOINT FOR MOTOR SAP 300-380
14	32400004	1	SILENCER.D.120 FULL+BENT
14	32400241	1	SILENCER D.150 FULL+BENT
15A	32400789	1	ELBOW.1/8 D.6 COMPLETE
16A	32400790	1	SCREW M5X15 WITH WASHER SILENCER

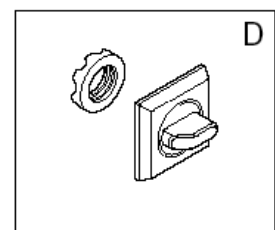
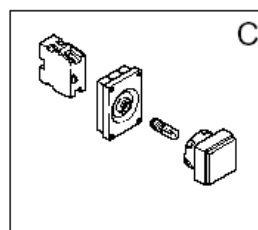
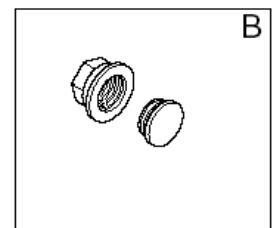
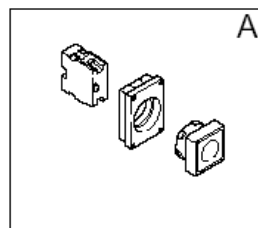
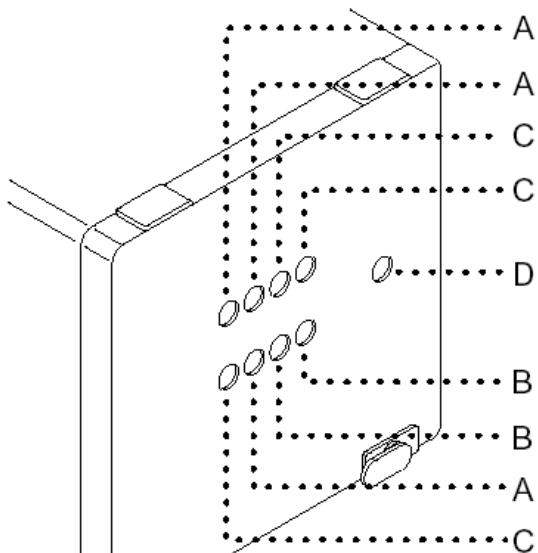
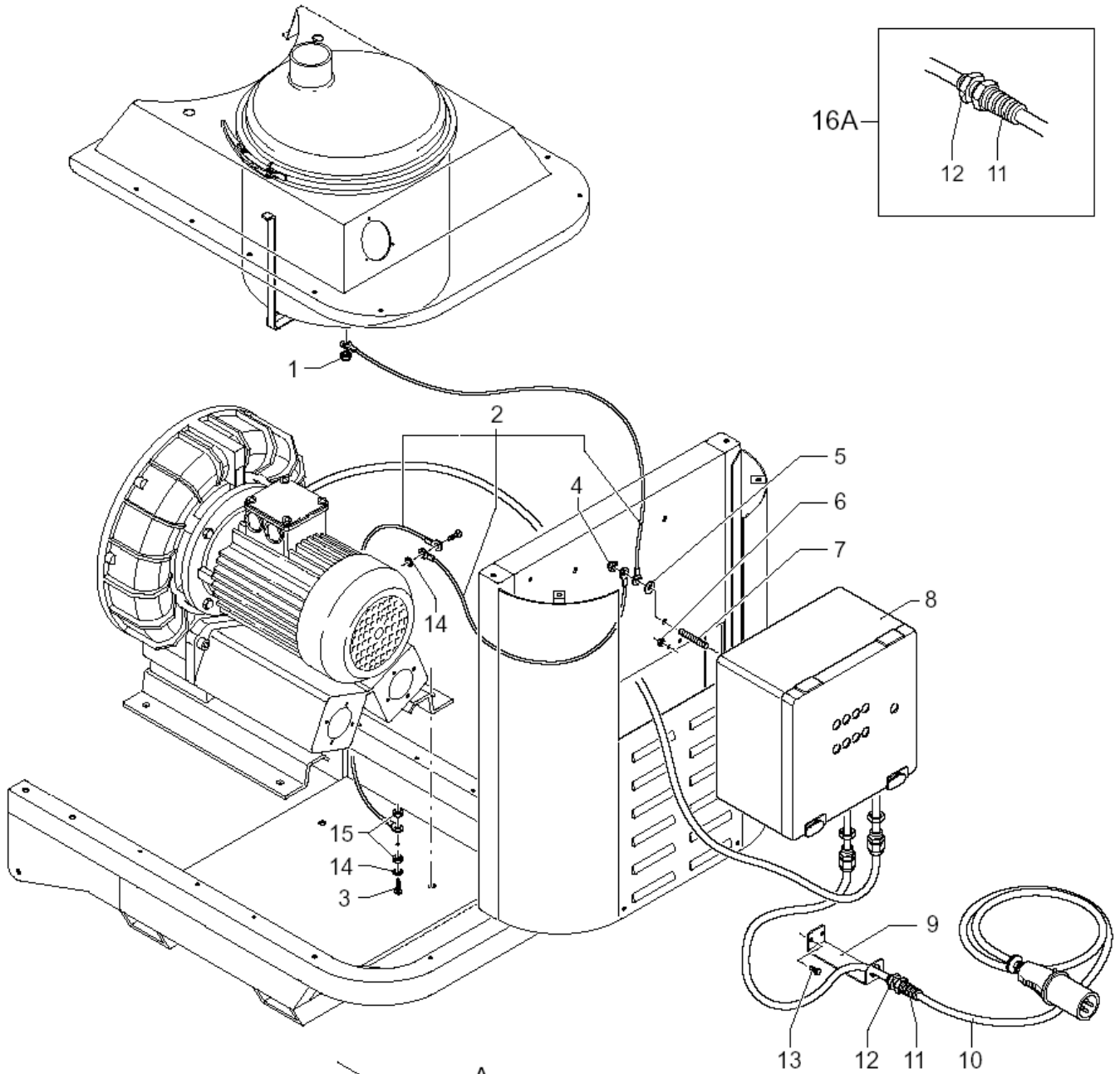
# Standard Electrical components

IV 040

11-05-2014

Part List ID  
G203313

35



# Standard Electrical components

IV 040

11-05-2014

Part List ID  
GZU3313

36

Pos	Part no.	Qty	Description	
2	32400044	1	CABLES.GROUND KIT	
7	32400282	4	SCREW GRUB M8X60 UNI5929	
8	32400034	1	PANEL.ELECTRONIC	IV 040
8	32400121	1	PANEL.ELECTRONIC	IV 022
9	32400016	1	SUPPORT. FOR CABLE GLAND	
10	32400362	1	CABLE.POWER SUPPLY KIT PLUG 16A	
16A	32400791	1	CABLE GLAND.COMPLETE	

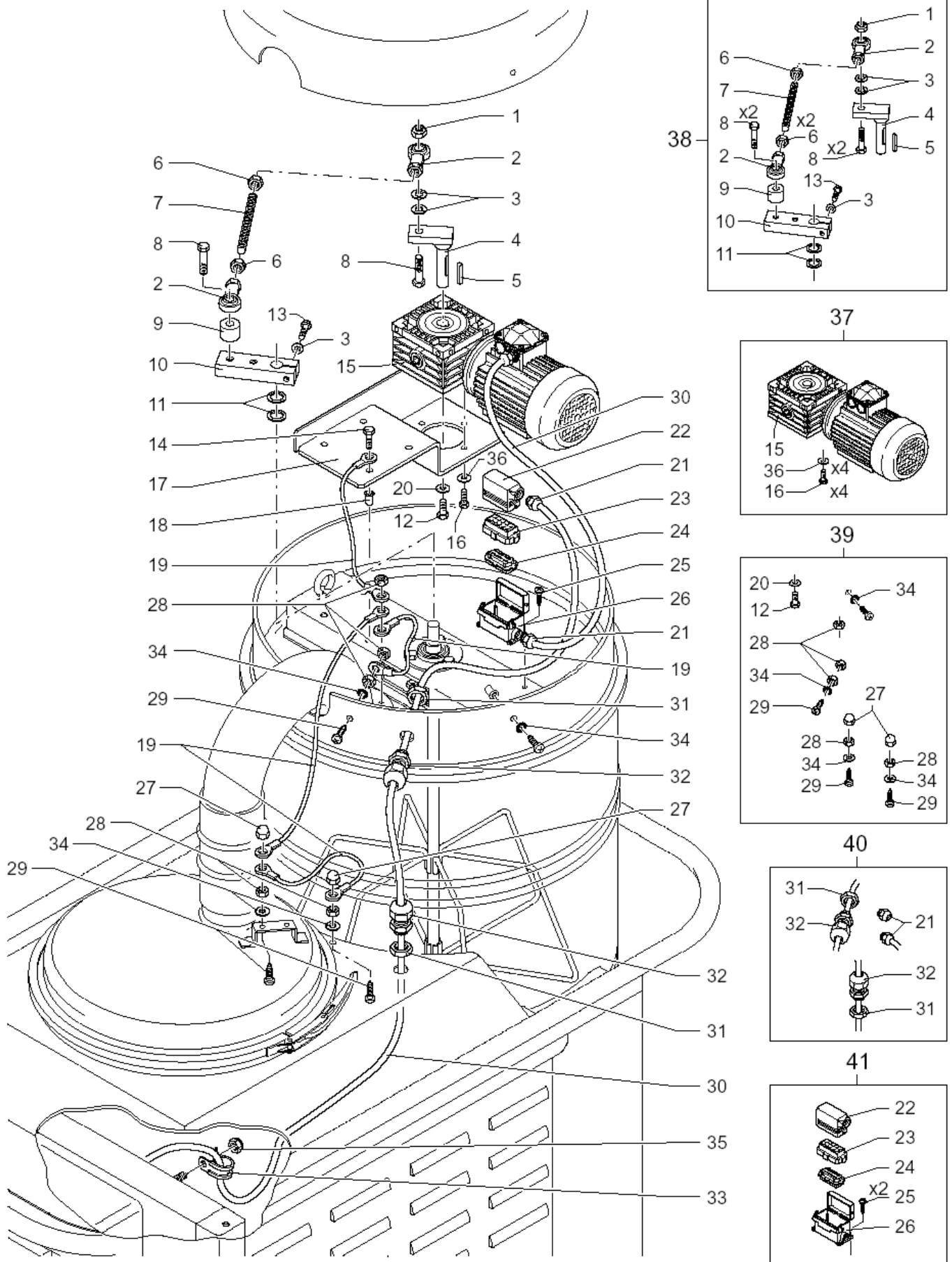
# Electrical filter shaker

IV 040

11-05-2014

Part List ID  
G203315

37



# Electrical filter shaker

IV 040

11-05-2014

Part List ID  
GZU3315

38

Pos	Part no.	Qty	Description
17	Z8 16274	1	PLATE REDUCER ELECT.SHAKER 3308
19	32400246	1	CABLES.GROUND KIT
31	Z8 39035	2	CABLE 4G1.5 FROR AL M
34	Z8 39981	1	FAIRLEAD RUBBERISED D16
36A	32400792	1	GEARMOTOR. COMPLETE KIT
37A	32400793	1	SHAKER ASSEMBLY .COMPLETE IV022/040
38A	32400794	1	CONNECTOR.ELETTR.KIT
39A	32400795	1	SCREWS.SET FOR FILTER SHAKER
40A	32400796	1	CABLE GLANDS.KITIV022/040

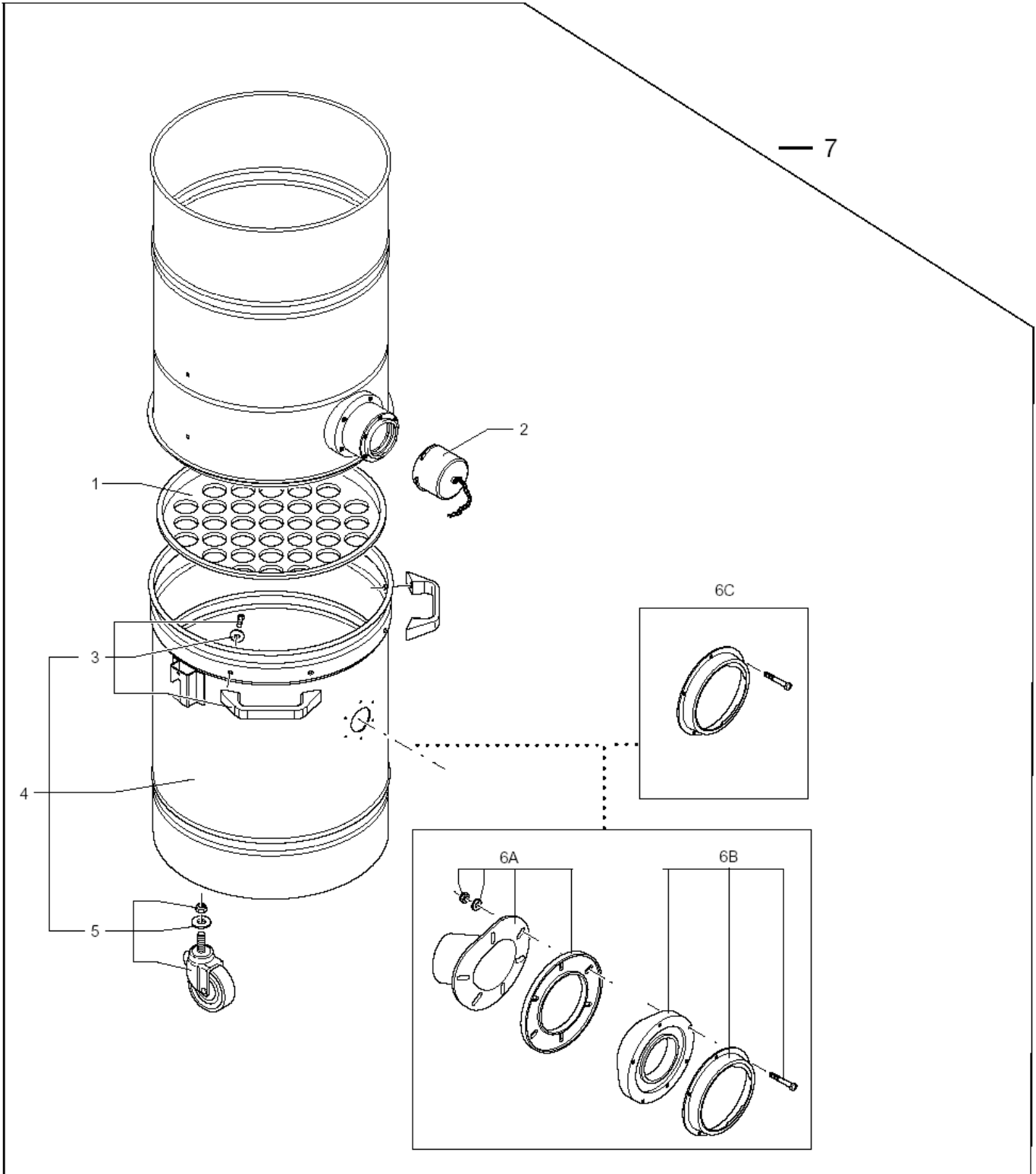
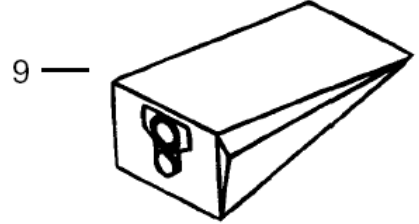
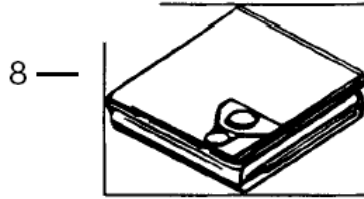
# Dust bag system

IV 040

11-05-2014

Part List ID  
G203317

39



# Dust bag system

IV 040

11-05-2014

Part List ID

G2U3317

40

Pos	Part no.	Qty	Description
1	32400269	1	GRILL.UPPER
2	L04003200	1	BLIND SHUTTER Ø 50 MM
3	32400333	1	HANDLE.KIT FOR CONTAINER
5	32400332	1	WHEELS.CONTAINER COMPLETE IV022/040
7	32400150	1	BAG.CONNECTOR KIT STEEL
8	81584000	1	5PCS PAPER BAGS GS82
9	81584000	1	5PCS PAPER BAGS GS82
6A	21582901	1	INLET FOR DUST BAG
6B	32211201	1	BAYONET COUPLING 50 MM FOR DUST
6C	22386500	1	BAYONET RING FOR INLET 50MM



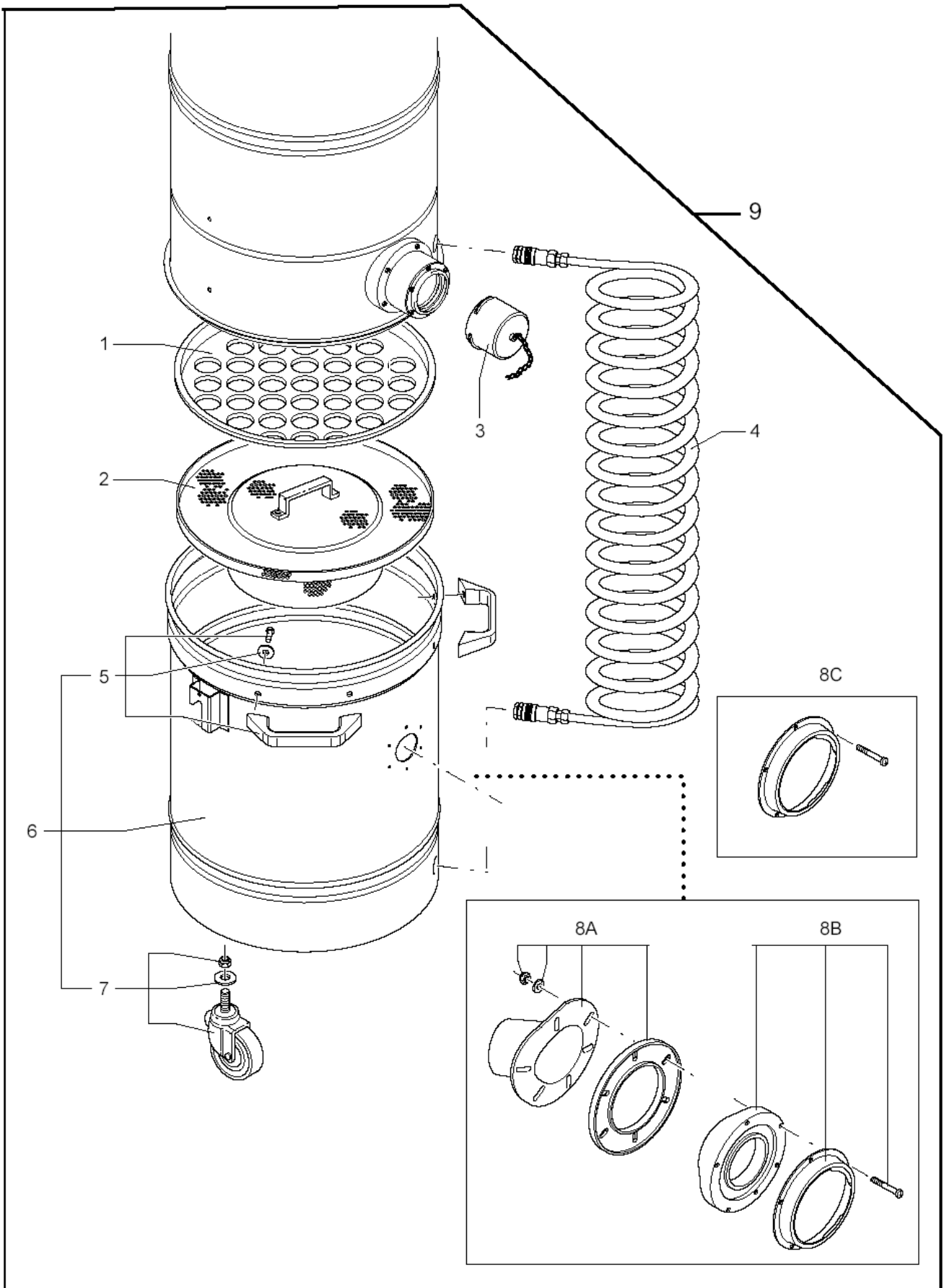
# Safe bag system

IV 040

11-05-2014

Part List ID  
G203319

41



# Safe bag system

IV 040

11-05-2014

Part List ID  
G2U3319

42

Pos	Part no.	Qty	Description
1	32400269	1	GRILL.UPPER
2	Z8 31221	1	CONTAINER GRID D460 ZINC
3	L04003200	1	BLIND SHUTTER Ø 50 MM
4	Z5 60133	1	DEPRESSOR COMPLETE M.317
5	32400333	1	HANDLE.KIT FOR CONTAINER
7	32400332	1	WHEELS.CONTAINER COMPLETE IV022/040
9	32400151	1	BAG.SAFE SYSTEM KIT
10	L03034000	1	DUST SAFE BAG SYSTEM 1PC
8A	21582901	1	INLET FOR DUST BAG
8B	32211201	1	BAYONET COUPLING 50 MM FOR DUST
8C	22386500	1	BAYONET RING FOR INLET 50MM

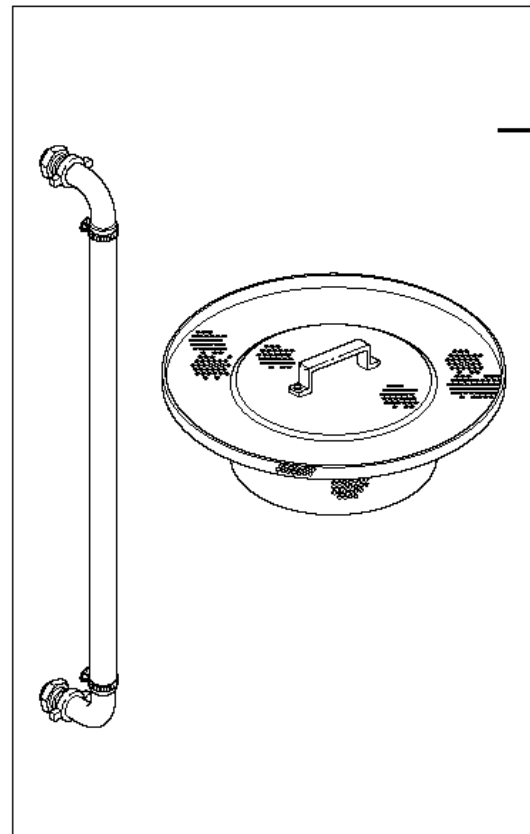
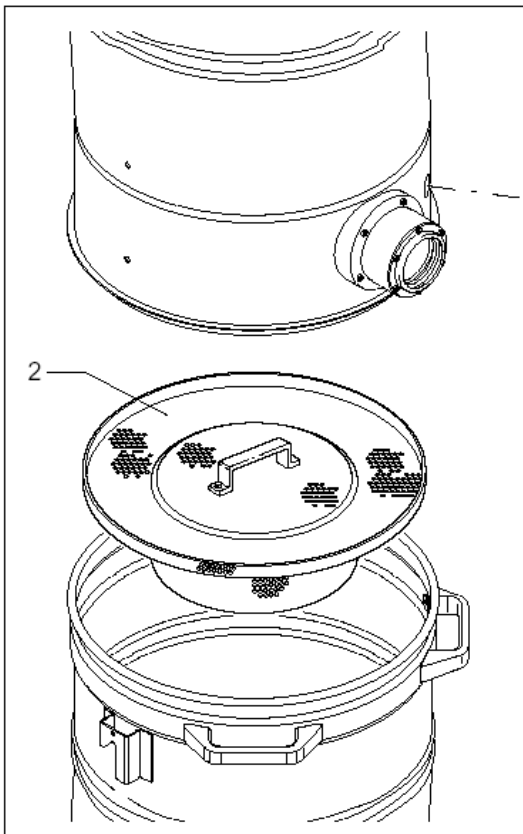
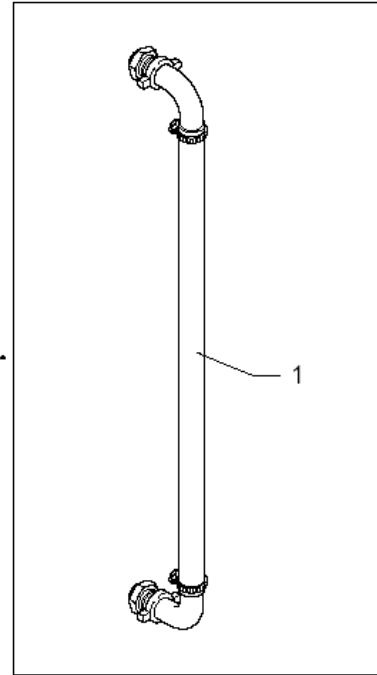
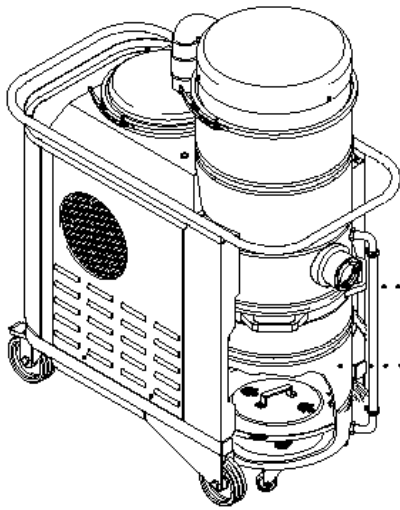
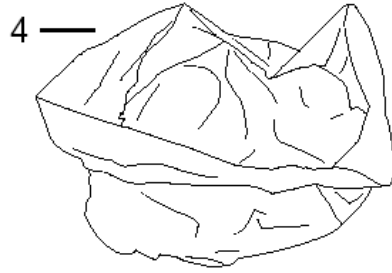
# Plastic bag system

IV 040

11-05-2014

Part List ID  
G203321

43



# Plastic bag system

IV 040

11-05-2014

Part List ID

G2U3321

44

Pos	Part no.	Qty	Description
1	Z5 60225	1	TUBE DEPRESSOR D.19 MOD.3308
2	Z8 31221	1	CONTAINER GRID D460 ZINC
3	32400152	1	BAG.PLASTIC KIT
4	82366400	1	PLASTIC BAGS KLAR 5PCS
4	82366500	1	PLASTIC BAGS BLUE 5PCS
4	82366600	1	PLASTIC BAGS RED 5PCS

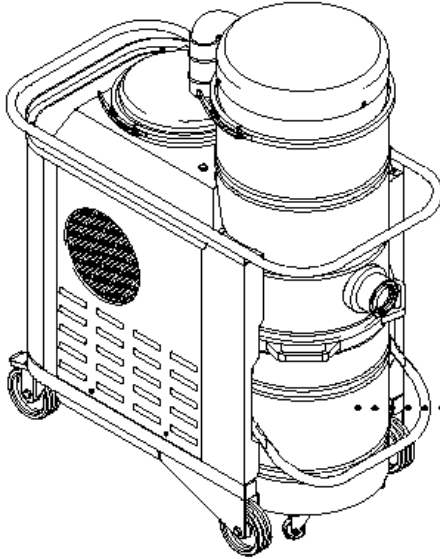
# S.S. Container

IV 040

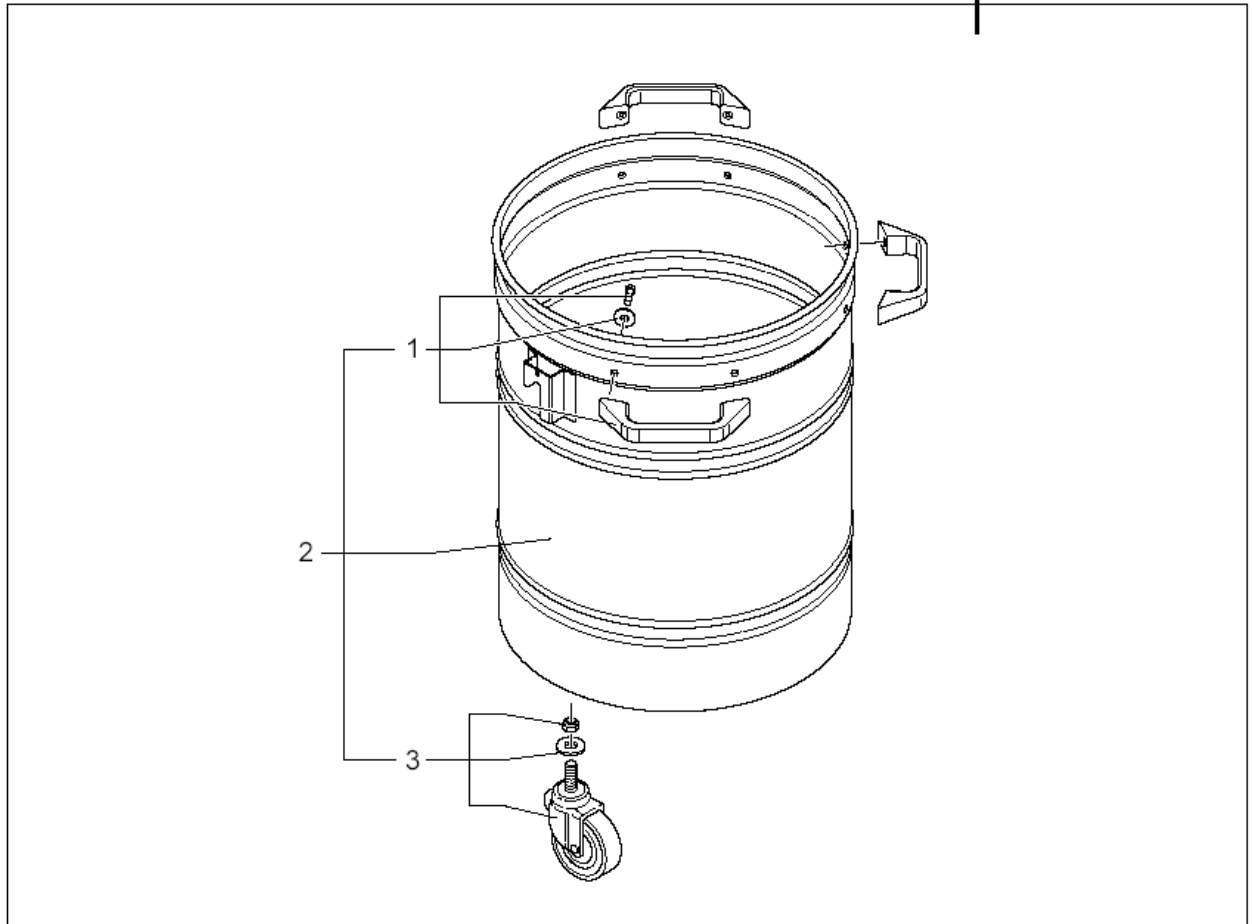
11-05-2014

Part List ID  
G203323

45



4



# S.S. Container

IV 040

11-05-2014

Part List ID  
G2U3323

46

Pos	Part no.	Qty	Description
1	32400333	3	HANDLE.KIT FOR CONTAINER
3	32400332	4	WHEELS.CONTAINER COMPLETE IV022/040
4	32400153	1	CONTAINER.INOX KIT

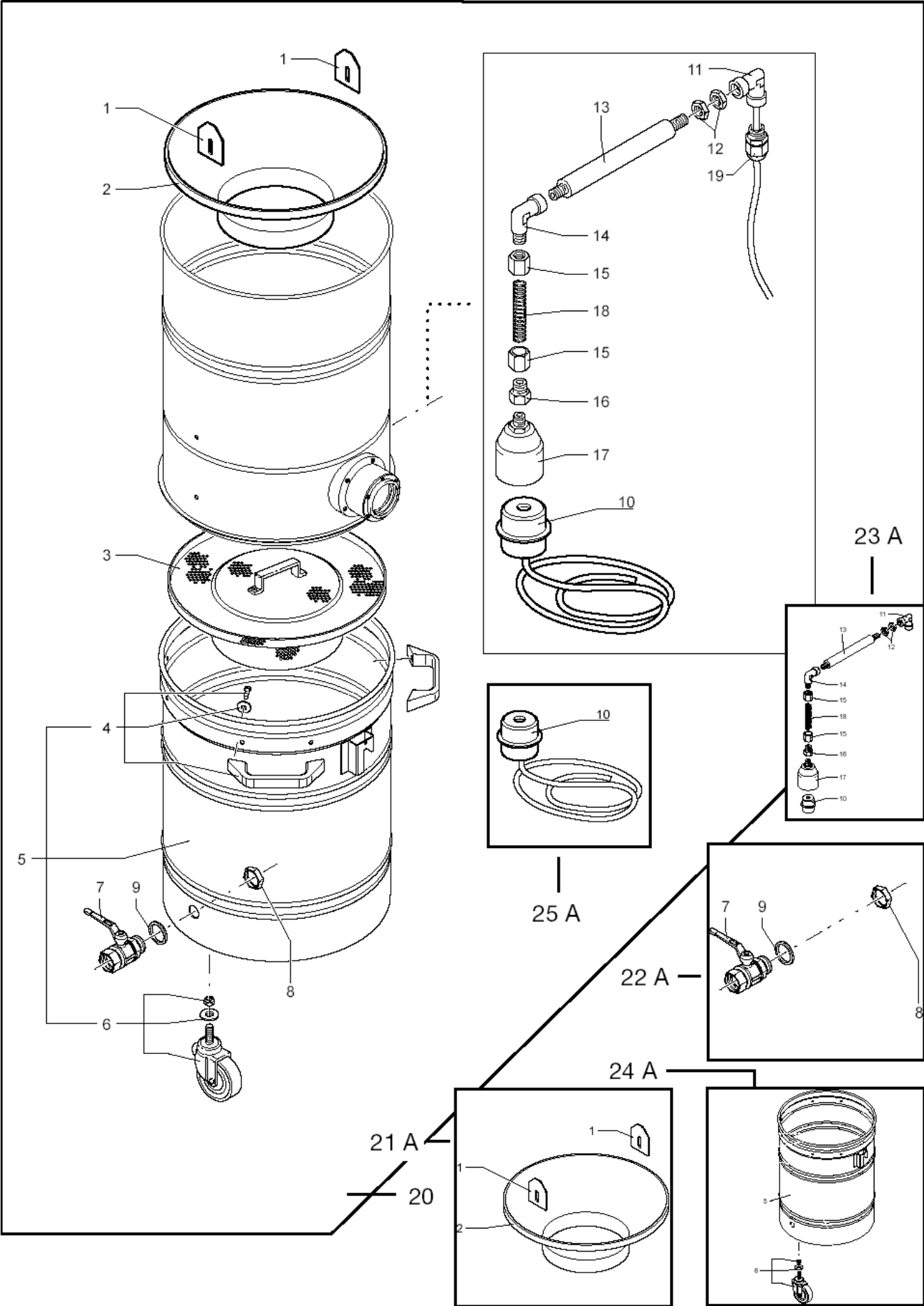
# Liquid system

IV 040

11-05-2014

Part List ID  
G203325

47



# Liquid system

IV 040

11-05-2014

Part List ID

G2U3325

48

Pos	Part no.	Qty	Description
3	Z8 31250	1	CONTAINER GRID D460 INOX
4	32400333	3	HANDLE.KIT FOR CONTAINER
17	Z8 12286	1	CAP PROTECTION PROBE
18	Z8 14296	1	SPRING X LEVEL CHECK
19	Z8 39819	1	CABLE GLAND PG7 PA
20	32400154	1	LIQUID.KIT
21A	32400797	1	SEPARATOR.X LIQUID COMPL. IV022/040
22A	32400798	1	TAP.COMPLETE IV022/040
23A	32400799	1	SENSOR.X LIQUID KIT COMPL IV022/040
24A	32400339	1	CONTAINER.KIT IV022/040
25A	Z8 39545	1	SENS.MAGN.LIQ. D28 FLOATER NO-NC



# Cartridge Cpl.

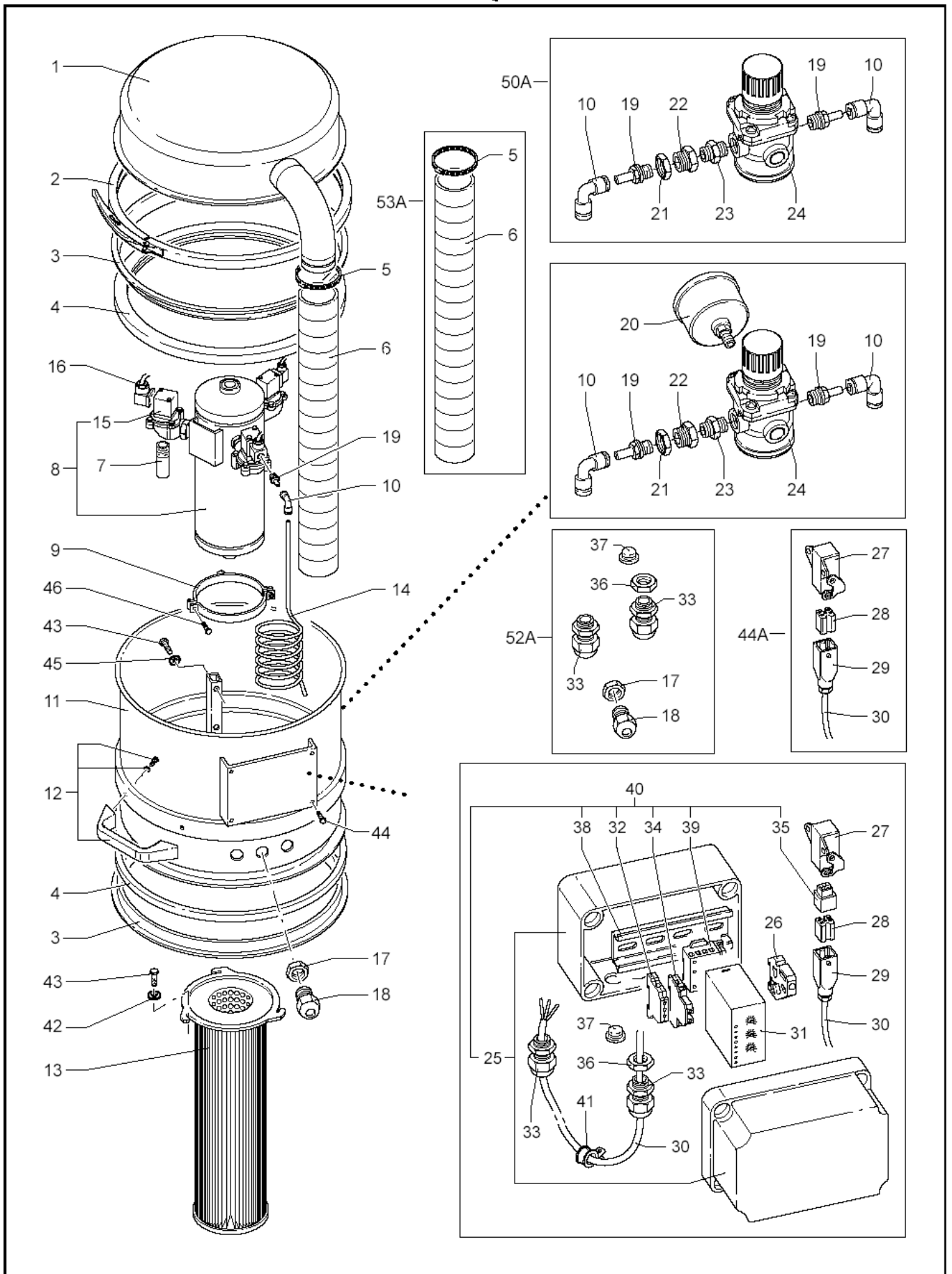
IV 040

11-05-2014

Part List ID  
G203327

49

54A



# Cartridge Cpl.

IV 040

11-05-2014

Part List ID  
G2U3327

50

Pos	Part no.	Qty	Description
1	32400204	1	CAP.D.460
2	Z8 36191	1	BAND LOCK D.460
3	Z8 15003	2	FILTER HOLDER RING D460 FE
4	32400060	2	GASKET.FOR RING D.460
7	Z8 13210	3	NOZZLE 3/4 X 100 KIT CARTR.
8	32400185	1	TANK.COMPLETE
9	Z8 40561	2	COLLAR D140 TANK KIT 460
11	32400181	1	SIDE. RAL7001
12	32400333	3	HANDLE.KIT FOR CONTAINER
13	Z8 33140	3	FILTER CART.D150X500 MC.
14	Z8 24077	1	RILSAN TUBE 6x8 W.SPIRAL ORANGE x D.C.
15	Z8 40330	3	VALVE MECAIR 3/4
16	Z8 39979	3	CABLE 3G1 WITH CONNECTOR FOR TANKS
20	Z8 40098	1	MANOMETER D40 MOD.A17
25	Z8 39232	1	BOX 170x135x145 IP66 BxHxP MOD.317L
31	Z8 391107	1	CYCLIC TIMER 24VAC 4OUT
35	Z8 39345	1	OUTLET INSERT 3P+E GW PLASTIC
40	Z8 41039	1	E.B. KIT CART. D3-460 24VAC IP55
41	Z8 39981	1	FAIRLEAD RUBBERISED D16
50A	32400801	1	REGULATOR.COMPL.KIT CARTRIDGE
51A	32400802	1	CONNECTOR.KIT COMPLETE CARTRIDGE
52A	32400803	1	SET PG.COMPLETE F/KIT CARTRIDGE 32400155
53A	32400800	1	SLEEVE.COMPLETE KIT
54A	32400155	1	CARTRIDGES. KIT

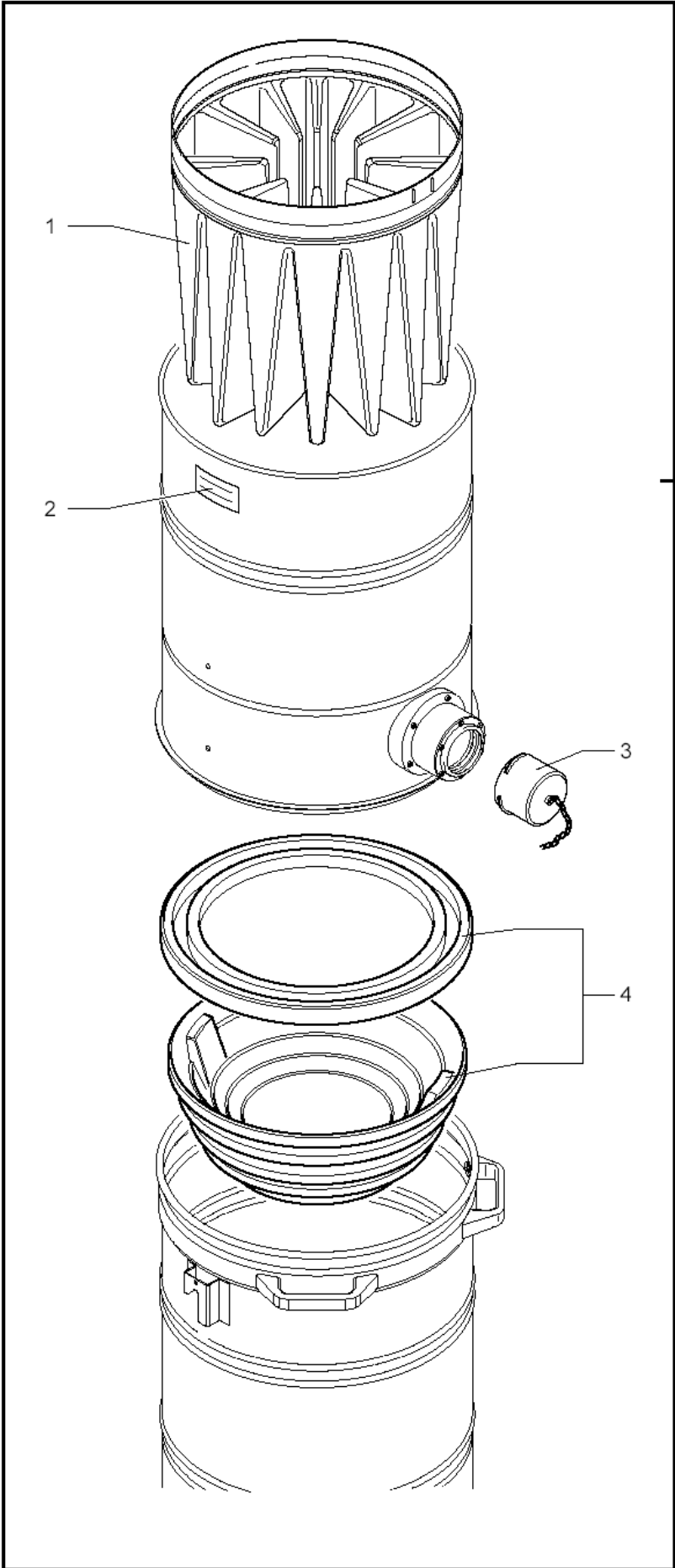
**Class M.**

IV 040

11-05-2014

Part List ID G203329

51



# Class M.

IV 040

11-05-2014

Part List ID  
G2U3329

52

Pos	Part no.	Qty	Description
1	32400331	1	FILTER.CLASS M KIT D.460 IV022/040
2	Z8 17551	1	LABEL CATEGORY M
3	L04003200	1	BLIND SHUTTER Ø 50 MM
4	32400159	1	CONTAINERS.ABS KIT
5	32400156	1	CLASS M.KIT

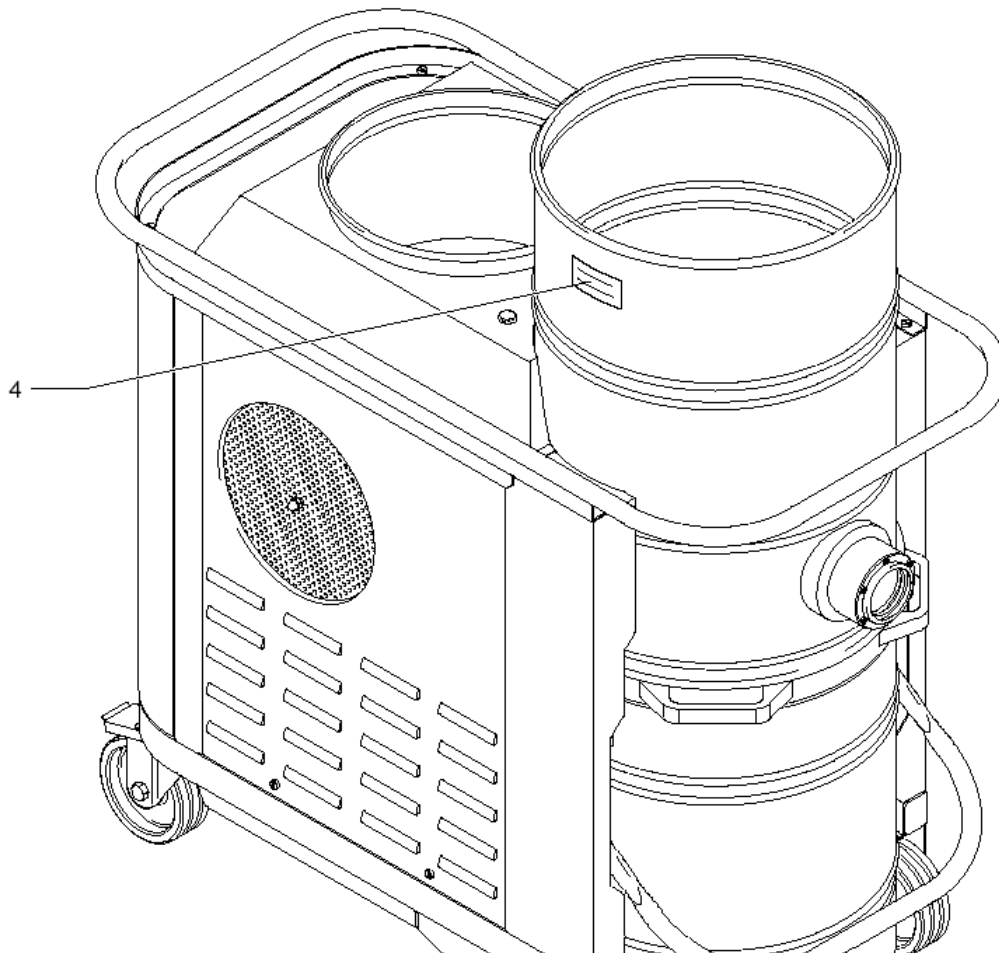
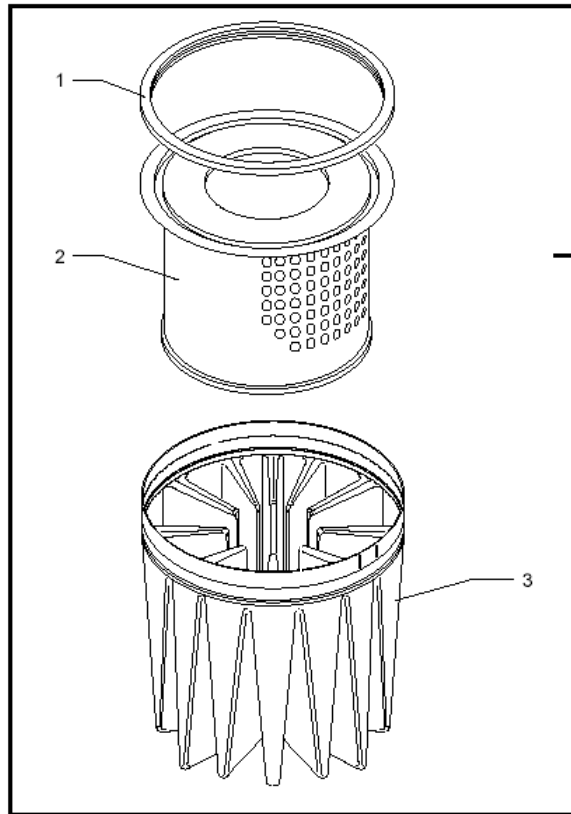
# Class H.

IV 040

11-05-2014

Part List ID  
G203331

53



# Class H.

IV 040

11-05-2014

Part List ID  
G2U3331

54

Pos	Part no.	Qty	Description
1	32400337	1	GASKET.FOR RING KIT D.360
2	32400125	1	FILTER.ABSOLUTE
3	32400331	1	FILTER.CLASS M KIT D.460 IV022/040
5	32400157	1	CLASS H.KIT

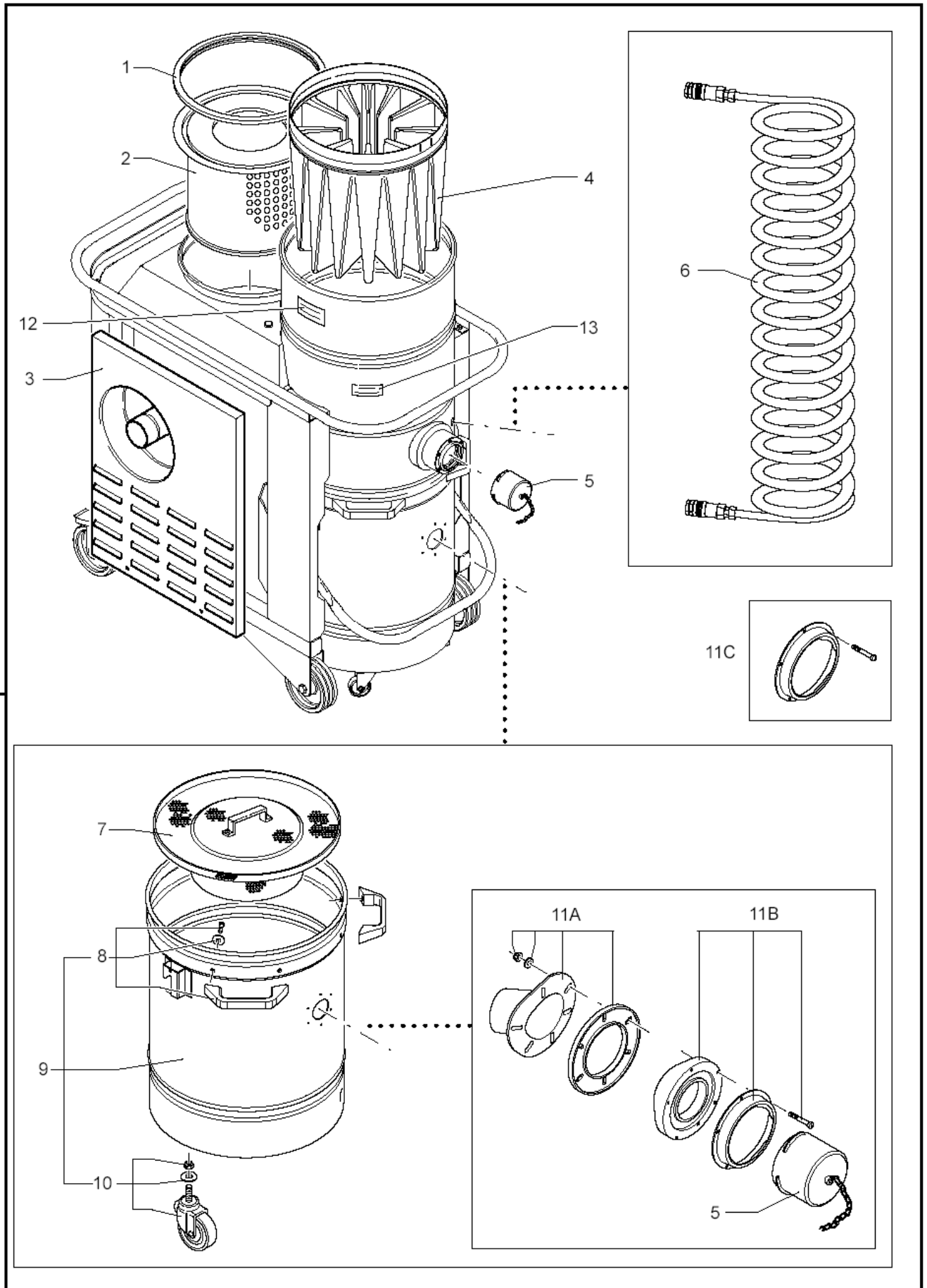
# Asbestos

IV 040

11-05-2014

Part List ID  
G203333

55



# Asbestos

IV 040

11-05-2014

Part List ID  
G2U33333

56

Pos	Part no.	Qty	Description
1	32400337	1	GASKET.FOR RING KIT D.360
2	32400125	1	FILTER.ABSOLUTE
3	32400208	1	PANEL.WITH PIPE
4	32400331	1	FILTER.CLASS M KIT D.460 IV022/040
5	L04003200	1	BLIND SHUTTER Ø 50 MM
6	Z5 60133	1	DEPRESSOR COMPLETE M.317
7	Z8 31221	1	CONTAINER GRID D460 ZINC
8	32400333	1	HANDLE.KIT FOR CONTAINER
10	32400332	1	WHEELS.CONTAINER COMPLETE IV022/040
14	32400158	1	ASBESTOS.KIT
11A	21582901	1	INLET FOR DUST BAG
11B	32211201	1	BAYONET COUPLING 50 MM FOR DUST
11C	22386500	1	BAYONET RING FOR INLET 50MM



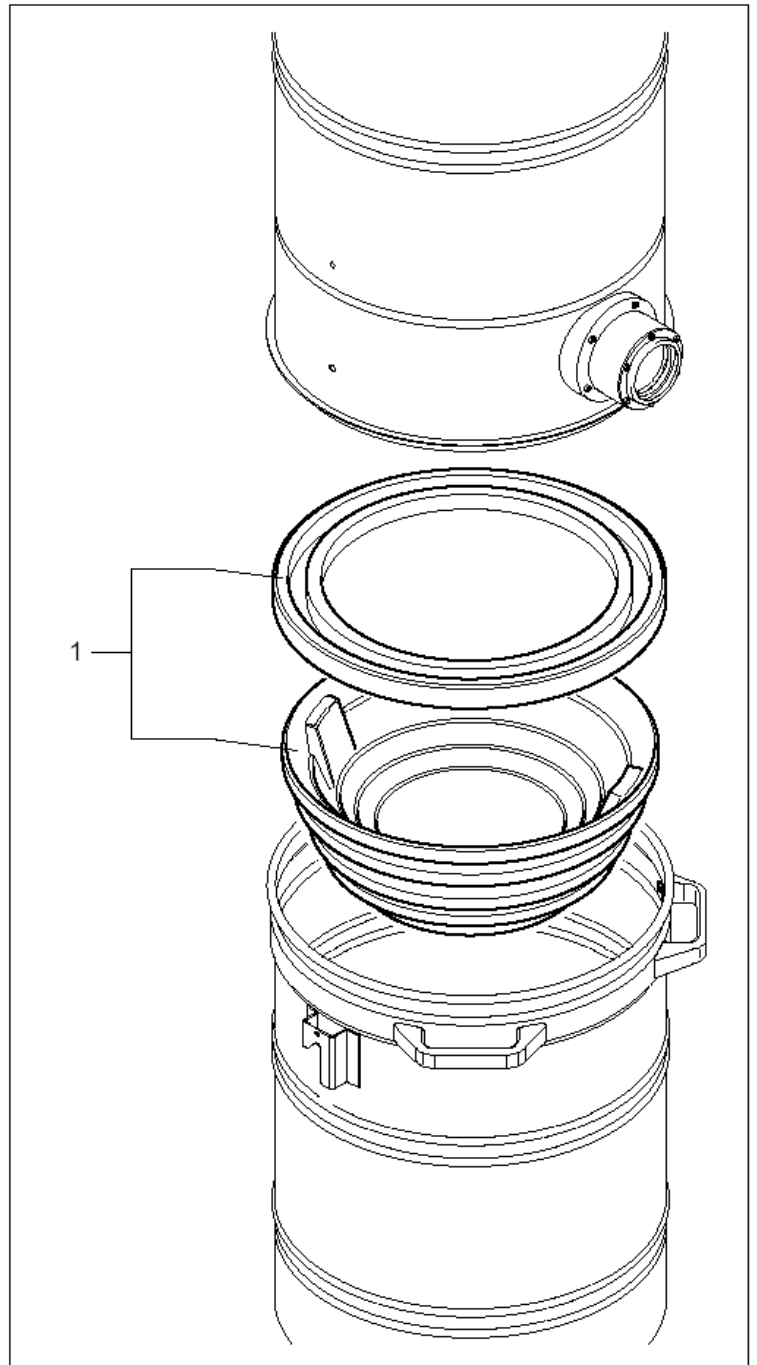
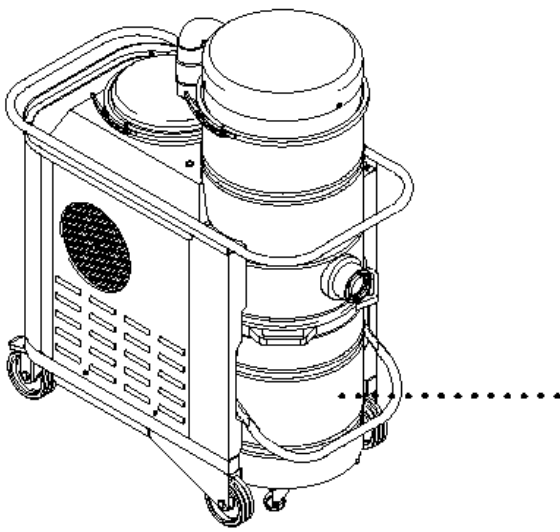
# ABS Container

IV 040

11-05-2014

Part List ID  
G203335

57



# ABS Container

IV 040

11-05-2014

Part List ID  
G2U3335

58

Pos	Part no.	Qty	Description
1A	32400159	1	CONTAINERS.ABS KIT

# HEPA Filter

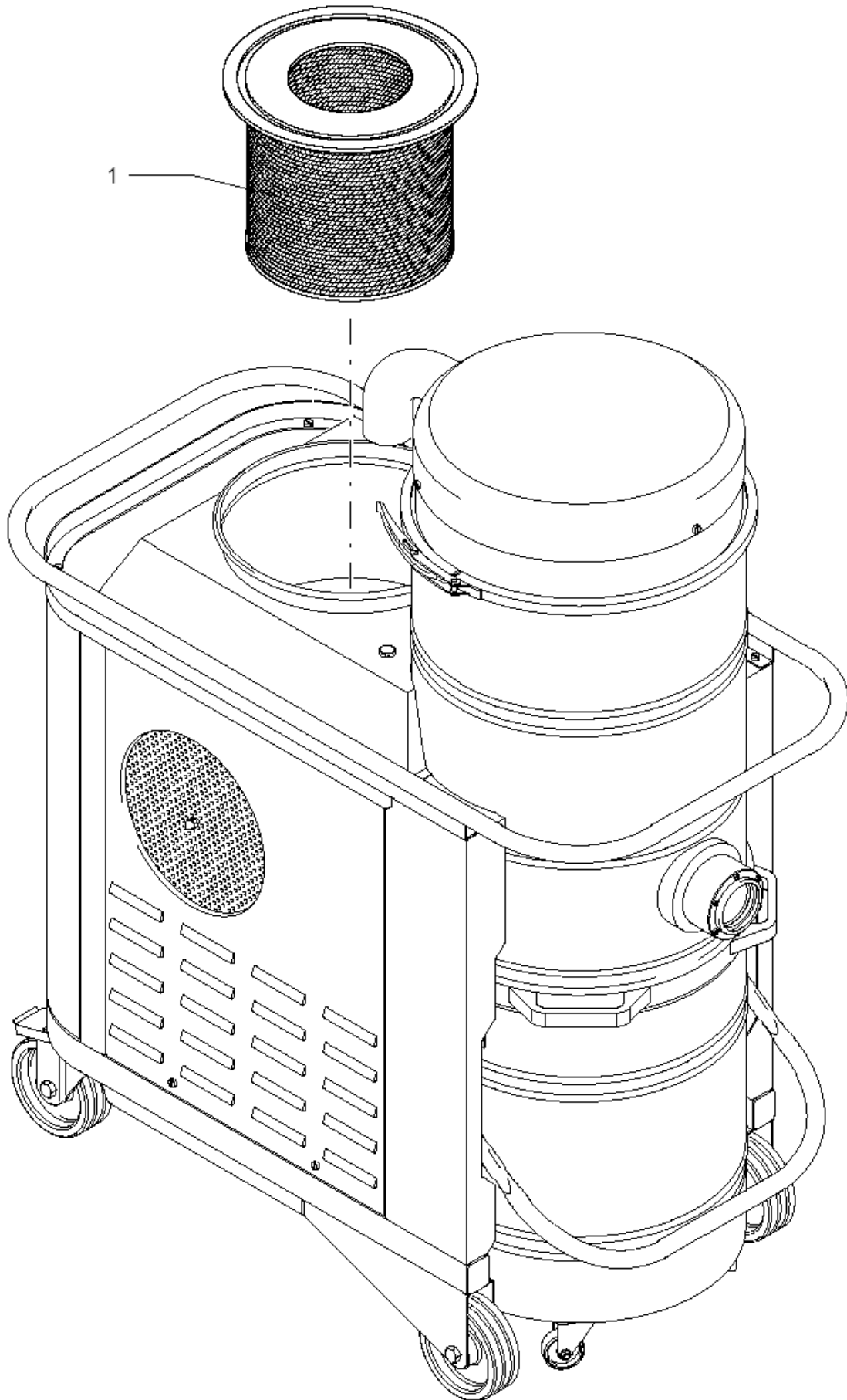
IV 040

11-05-2014

Part List ID

G203337

59



# HEPA Filter

IV 040

11-05-2014

Part List ID  
G203337

60

Pos	Part no.	Qty	Description
1	32400125	1	FILTER.ABSOLUTE

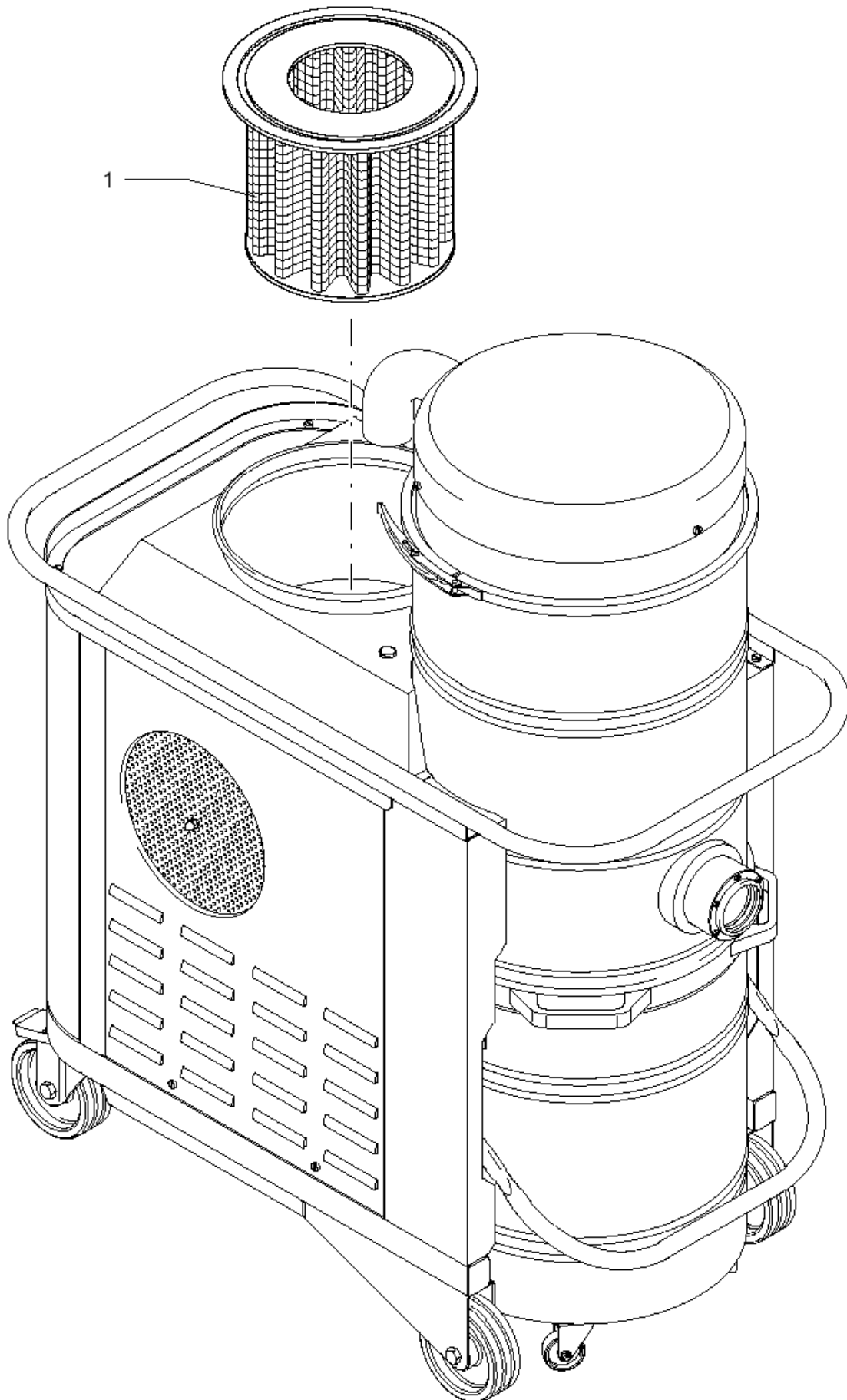
# SAFETY Filter

IV 040

11-05-2014

Part List ID  
G203339

61



# SAFETY Filter

IV 040

11-05-2014

Part List ID  
G2U3339

62

Pos	Part no.	Qty	Description
1	32400318	1	CARTRIDGE.KIT CLASS G4