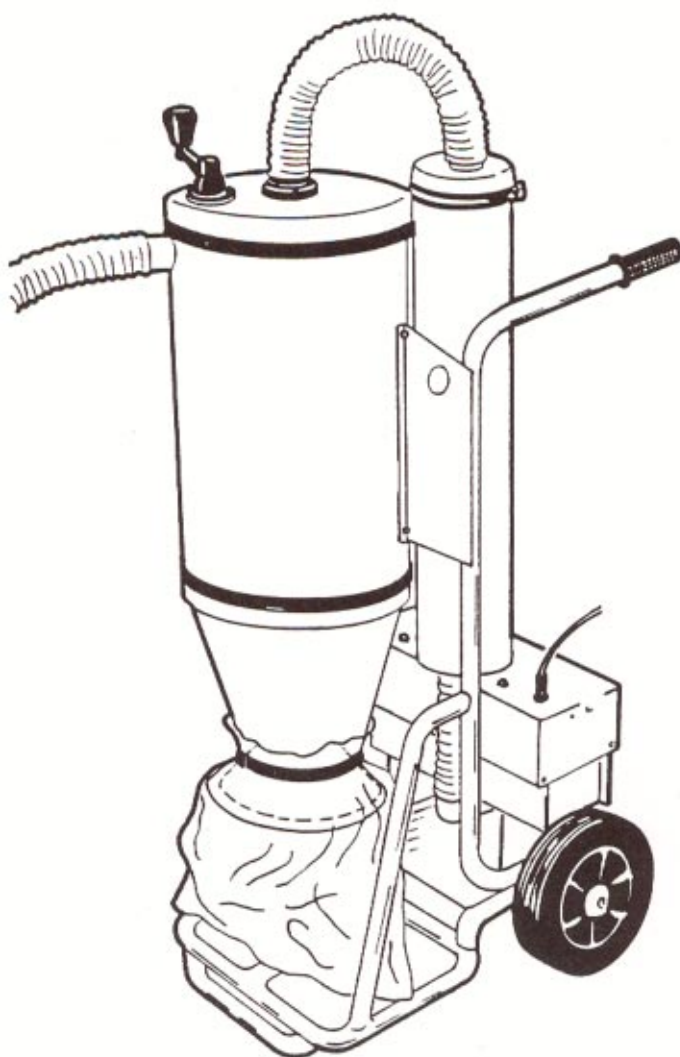


# INSTRUCTIONS FOR USE

## UZ 948

HEPA filtered Portable Dust Collection System



### WARNING

Hepa Filter Must be Installed While working with Hazardous materials. Failure to do so will expose People in the work area and others to Hazardous materials which is a serious health risk.

### EMPTYING

If this Vacuum Cleaner is used to collect Hazardous Material, do not attempt to open or empty its contents without personal protective clothing and respiratory protection.

## IMPORTANT SAFEGUARDS UZ 948

*Accidents due to misuse can only be prevented by those using the machine. To guard against injury, basic safety precautions should be observed, including the following:*

**Read and follow all safety instructions.**

UZ 948 is designed to be safe when used to perform cleaning functions as specified in the owner's manual. Should damage occur to electrical or mechanical parts, cleaner and/or accessory should be repaired by manufacturer or competent service station before using in order to avoid further damage to machine or physical injury to user.

**A damaged power cord could cause electrical shock and/or fire. To minimize this possibility observe the following precautions:**

- Do not run cleaner over power cord.
- Avoid closing doors on power cord, pulling it around sharp edges, or placing sharp-edged objects upon it.
- When disconnecting power cord from electrical outlet, grasp the plug. Pulling it out by the cord itself can damage cord insulation and internal connections to plug. Also, avoid damage to insulation by keeping cord away from oil and heat.

**Your UZ 948 creates suction. To avoid bodily injury from suction or moving parts, hose, wands and attachments should not be placed against, or in close proximity to loose clothing, jewelry, hair or body surfaces while cleaner is connected to electrical outlet. UZ948 should not be used to vacuum clothing while it is being worn.**

**When ever possible, plug your UZ948 into a standard grounded wall outlet (See next page). Use of extension cord or light socket with inadequate current-carrying capacity could result in electric shock or fire hazard.**

**Disconnect UZ948 from electrical outlet before servicing.**

**When using your cleaner to vacuum another electrical appliance such as removing lint from a clothes dryer, be sure to disconnect appliance being vacuumed from the electrical outlet in order to minimize chances of electrical shock.**

**Do not use your vacuum cleaner in areas where flammable and/or explosive vapor or dust is present to avoid possibility of fire or explosion. Some cleaning fluids can produce such vapors. Areas on which cleaning fluids have been used should be completely dry and thoroughly aired before vacuuming.**

**To avoid fire hazard, do not pick up matches, fireplace ashes or smoking material with cleaner.**

**Keep your work area well lighted to avoid picking up harmful materials ( such as sharp objects or burning substances) and/or tripping accidents.**

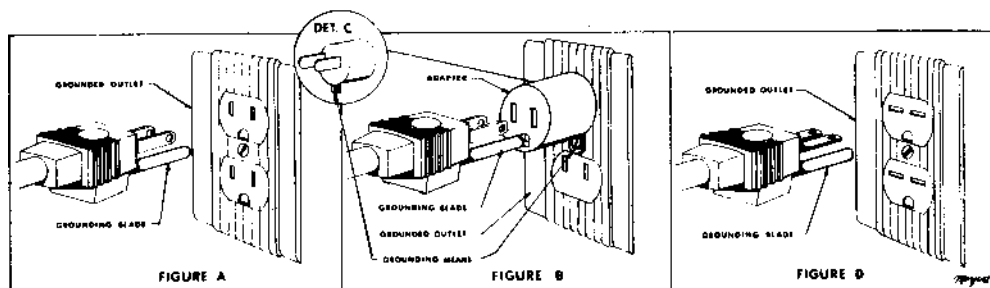
**Use care when operating the cleaner on irregular surfaces such as stairs. A falling cleaner could cause bodily injury and/or mechanical damage. Proper storage of machine in an out-of-the-way area immediately after use will also prevent accidents caused by tripping over the cleaner.**

**Exercise strict supervision to prevent injury when using vacuum cleaner near children or when child is allowed to operate vacuum cleaner. Do not allow children to play with vacuum cleaner and never leave the cleaner plugged in and unattended.**

## GENERAL INFORMATION.

**BEFORE YOU PLUG IN YOUR CLEANER,** check the voltage rating plate located on the cleaner near the power switch to check if it agrees within 10% of the voltage available (See "rating plate"). Connect only to a grounded (3-wire) electrical outlet.

## GROUNDING INSTRUCTIONS



This vacuum cleaner should be grounded while in use to protect the operator from electrical shock. The machine is equipped with a 3-conductor cord and a 3-prong plug. *The green (or green & yellow) conductor in the cord is the grounding wire. Never connect this wire to other than the grounding blade.*

If a properly grounded receptacle as shown in Fig. A is not available, an adaptor as shown in Fig. C should be used and should be installed as indicated in Fig B, providing the receptacle housing is grounded. Be sure to fasten the grounding tab with the face plate screw.

## SERVICE INFORMATION

To obtain consistent performance over the life of your vacuum, read through these instructions and keep them handy for future reference. If you require service, contact the dealer from whom the vacuum was purchased, or the local authorized Service Station. Always refer to your Service Station for complete service information.

## RATING PLATE

The model, type, and serial number are indicated on the rating plate. For prompt and complete service information, always refer to these numbers when inquiring about service.

## SAFETY RECOMMENDATIONS

For long service life and safe use of your vacuum cleaner, we recommend the following guidelines:

The UZ948 is designed to pick up dirt and dust particles; it is also designed for water pick up. Avoid picking up hard or sharp objects with your cleaner to avoid bag breakage. Avoid picking up oversized objects to prevent hose clogging.

## BE SAFE-AVOID POSSIBLE HAZARDS

**Note and follow all warning instructions.**

The HEPA filter cartridge must be installed before vacuuming hazardous dust or materials.

Failure to do so will expose people in the work area and others to hazardous materials, which is a serious health risk.

If the UZ 948 is used for the collection of hazardous materials, do not attempt to open or empty its contents without personal protective clothing and respiratory protection.

Do not attempt to use the UZ948 for wet pick-up without the pre-filter. The purifier is essential for the protection of the HEPA cartridge, and prevents water from entering the motor - water in the motor box could cause electric shock

# OPERATOR'S CHECK LIST

## Operation (fig. 1)

The UZ948 is a portable HEPA filtered vacuum unit that has three stages of dust separation; Cyclone separator (A), Prefilter (B), and HEPA filter cartridge (C).

The cyclone and pre-filter remove larger particles before depositing them into the poly bag (D).

A valve (E) opens automatically when the machine is switched off. A crank (F) is used to mechanically clean the pre-filter.

The HEPA filter (C) removes 99.97% of particles at 0.3 microns or larger.

NOTE the pre-filter will not be adversely affected by water, and can be cleaned and constantly re-used, see "CLEANING THE PRE-FILTER".

## PREPARATIONS

1. Make sure that the HEPA filter cartridge is installed, and that the dust collection bag is securely attached (fig. 2).

2. Fit the suction hose (fig. 3).

3. Check that the mains voltage and frequency agree with those specified on the machine before connection to the power supply.

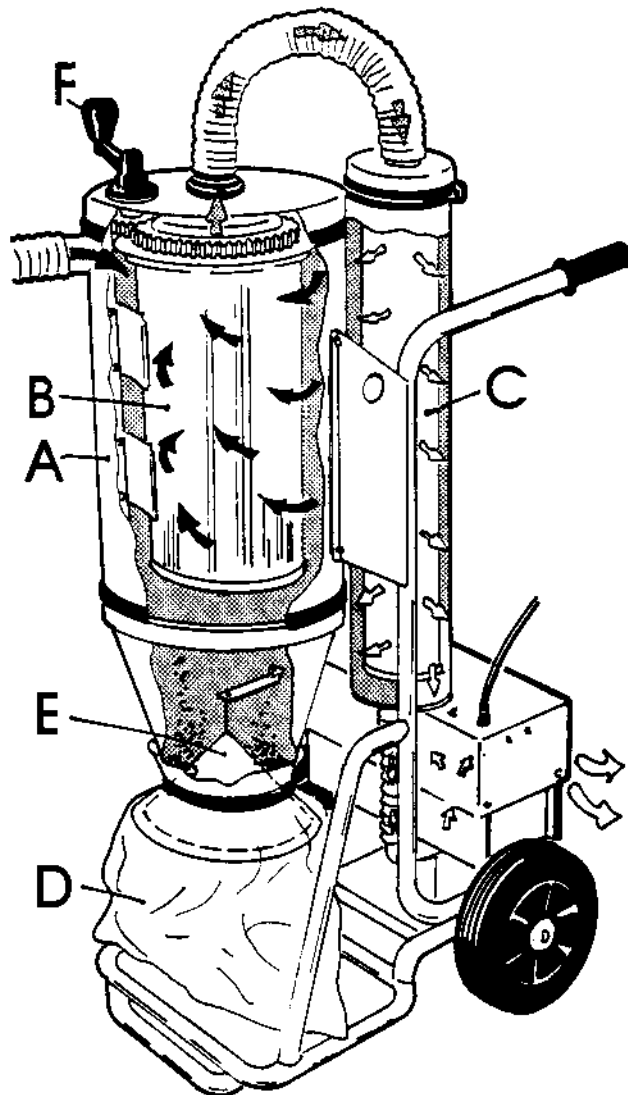
4. The electric panel (fig. 4) has two switches C and E. No 1 switch will start two motors, and No 2 switch will start the third motor. The third motor will not operate independently of the other two. The lamps D and F light when the switches are "on". The lamp B lights when power supply A is connected, and the lamp G will light up continuously when the HEPA-filter should be changed or when the pre-filter should be cleaned. It could also indicate that the suction hose is plugged.

Should the unit overload the electrical circuit, the UZ948 can be operated by activating the No 1 switch only. This will reduce suction capacity however.

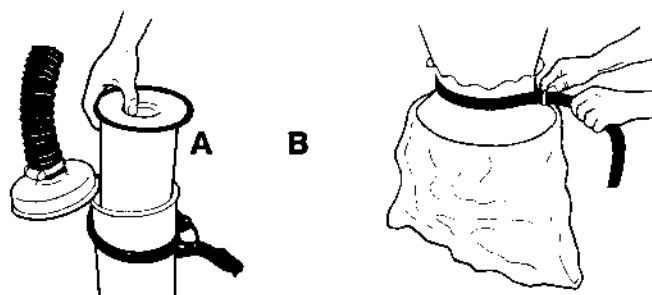
### NOTE!

*Do not attempt to suck up more dust than the dust bag can hold. When large volumes of dust are sucked up in a short period of time, the machine should be switched off to allow the dust to fall into the dust bag. The level of dust in the bag should then be checked.*

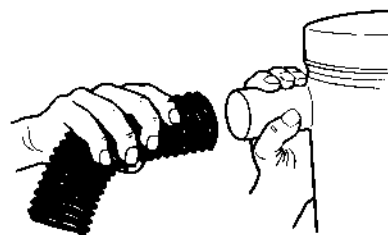
1

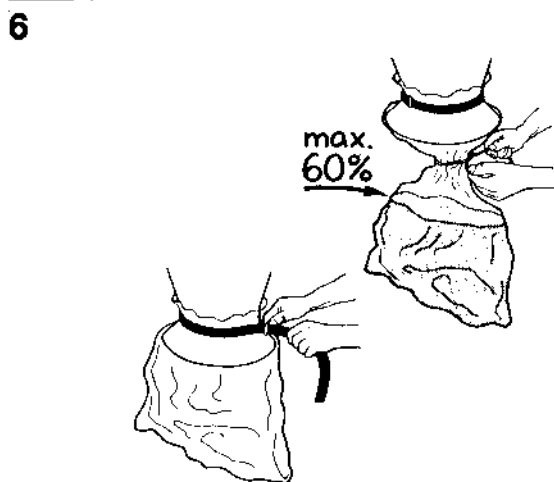
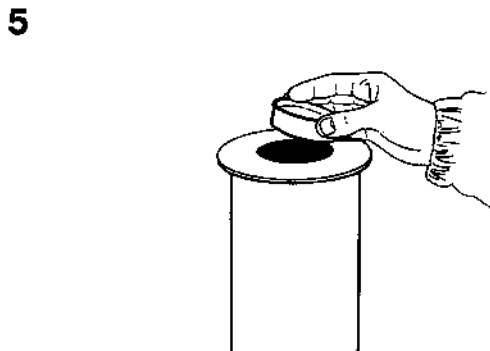
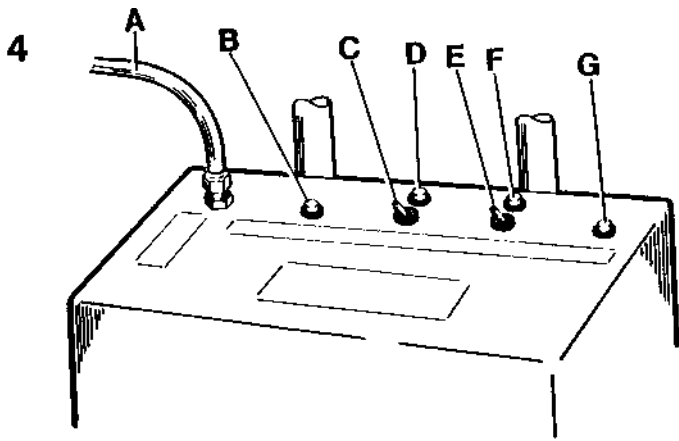


2



3





## **WARNING!**

*Glowing particles can cause fire in the filter material.*

*Hazardous dust can cause personal injury.*

*Do not use the machine without the pre-filter, HEPA filter and disposal bag.*

## **CHANGING THE HEPA-FILTER (fig. 2A)**

If the suction power deteriorates, despite repeated cleaning of the pre-filter, the HEPA-filter should be changed. For absolute safety a plastic plug is supplied for sealing the used filter (fig. 5).

## **CHANGING THE DISPOSAL BAG (fig. 6)**

**The disposal bag should be changed when approx. 60% full.**

**1. Switch off the machine.** This automatically causes the dust to fall into the disposal bag. **Switch on the machine.**

**2. Seal the bag with tape or cord.** Remove the bag and dispose of it in accordance with approved disposal instructions.

**3. Carefully replace the disposal bag.** Make sure that it is secured correctly and not damaged.

## **CLEANING THE PRE-FILTER (fig. 7)**

**Switch off the machine.** The pre-filter should be cleaned 2 or 3 times per day or whenever suction deteriorates. Cleaning is achieved by turning the crank 10-15 times. The crank should be rotated in the direction indicated by the arrow on the machine (counter clockwise). The pre-filter can also be cleaned by washing with water or using a high pressure hose.

## **WARNING**

**The HEPA-filter must be used when operating with hazardous dust.**

**UZ948** is not a substitute for personal protective equipment.

**Do not use the machine without the pre-filter, HEPA-filter and disposal bag.**

**When there is a risk of sparking, inflammable dust or explosive gases may cause a fire or explosion.**

## VERY LIGHT DUST ADAPTOR

When vacuuming very light material ( such as unwetted rockwool, fluffy insulation etc ) this optional extra can be used. The standard operation of UZ948 is not suited to "weightless materials".

### TO FIT THE VLD-ADAPTOR

1. Remove the funnel, belt and plastic bag.
2. Fit the VLD adaptor to the cyclone cylinder and reassemble the packing.  
*Note! The suction inlet should be directed forward.*
3. Change the filter container cap.
4. Mount the poly bag in the dust container. Fit the container to the machine with the quick assembly clamps.

5. Mount the vacuum hose between the new filter container cap and the dust container, otherwise the poly bag will be drawn up into cyclone separator.

6. Move the suction hose from upper inlet to inlet on light material container and put the plastic cap on the upper suction inlet.

