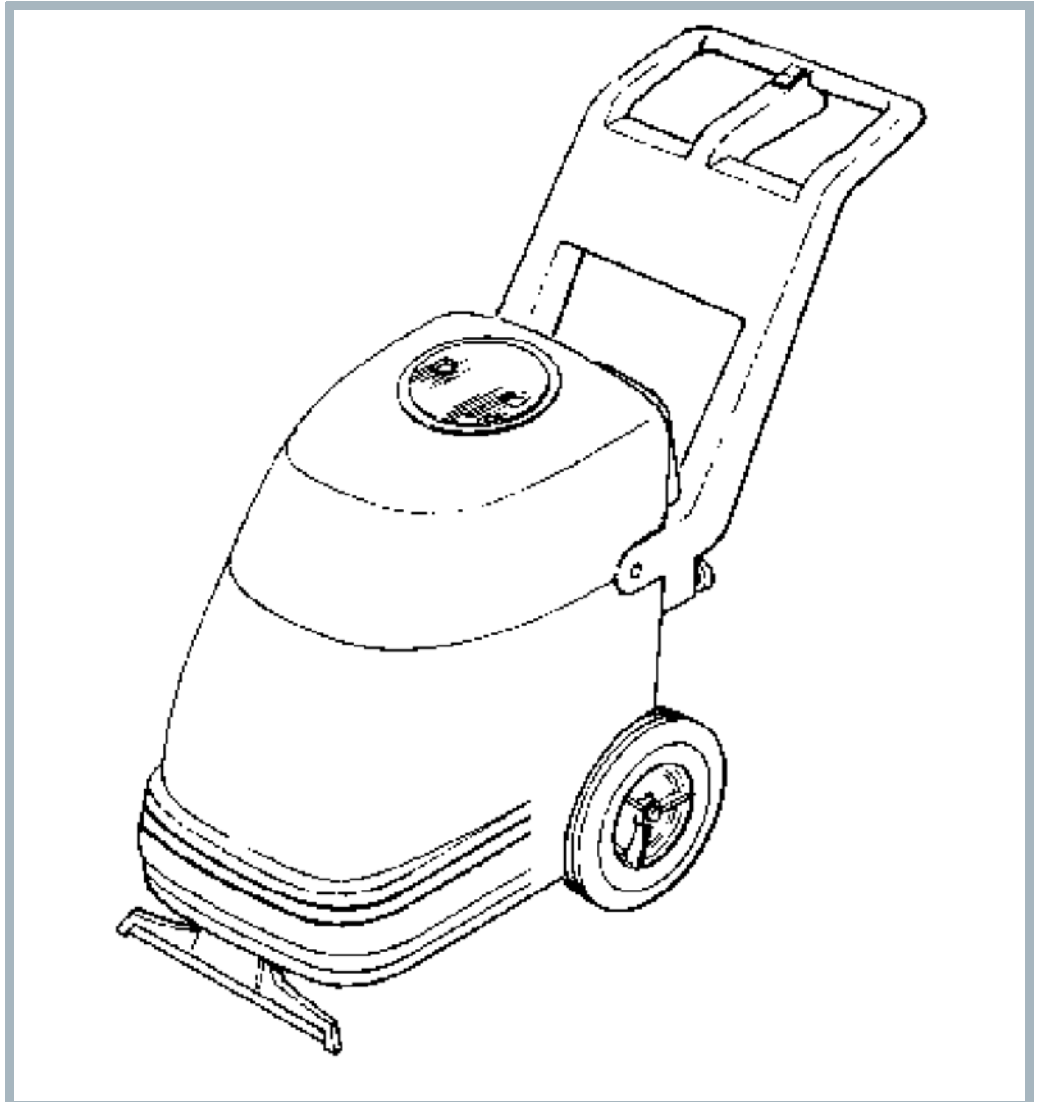


IMAGE 14

Model:
IMAGE 14



Part List US-English

12-02-2015

Table of Contents

IMAGE 14

Chassis	3
Handle	5
Recovery tank	7
Solution tank	9
Brush & pump	11
Main frame	13
Brush and pump unit	16
230 Volt connection diagram	18
230 Volt electrical schematic	20
Accessories	22

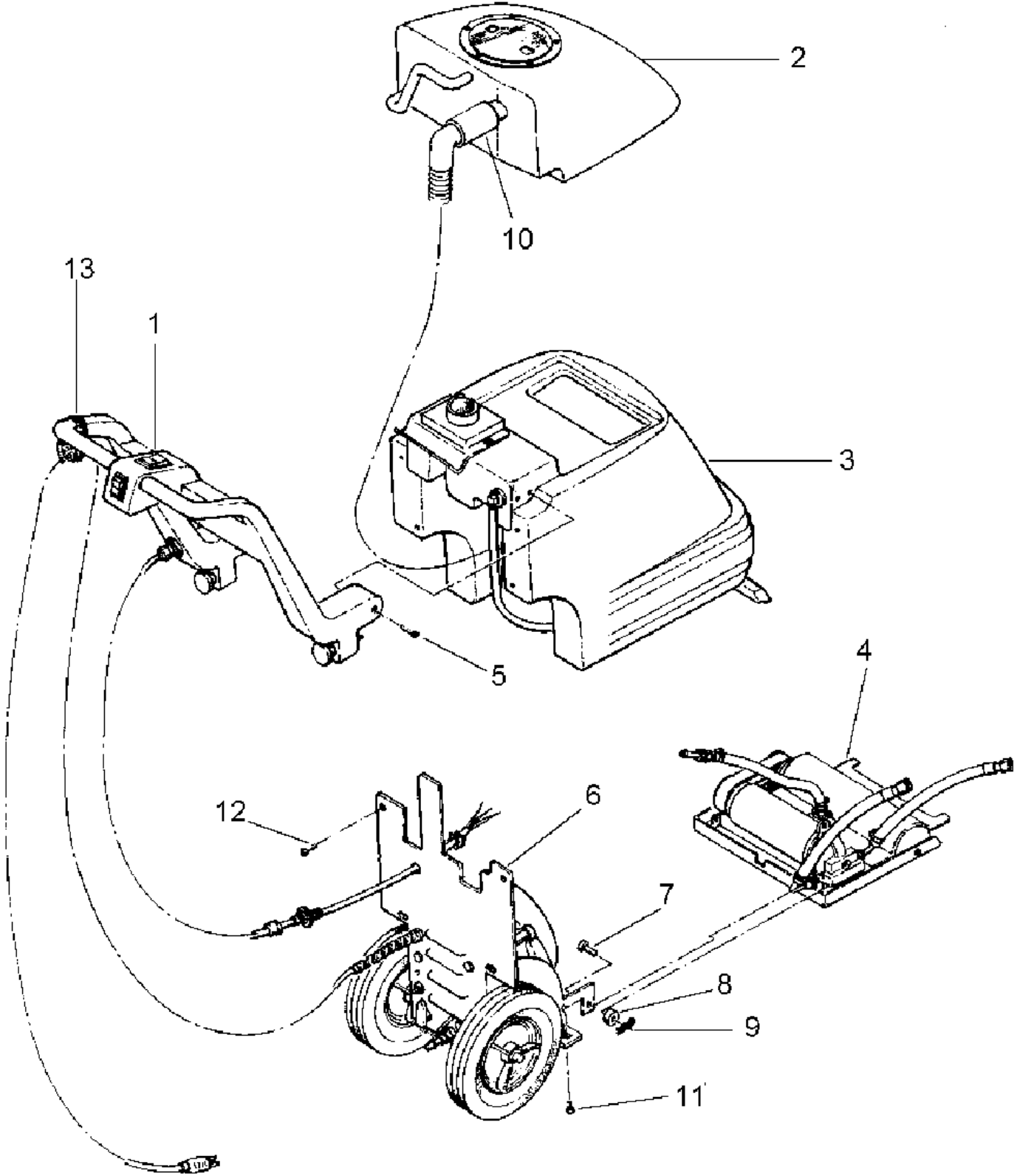
Chassis

IMAGE 14

12-02-2015

Part List ID
IMAGE1402

3



Chassis

IMAGE 14

12-02-2015

Part List ID
IMAGE1402

4

Pos	Part no.	Qty	Description	
1		1	USE LINK	See handle.....
2		1	USE LINK	See recovery tank
3		1	USE LINK	See solution tank
4		1	USE LINK	See brush and pump
5	80013A	2	BOLT SHOULDER 1/4 X 1 1/2	
6		1	USE LINK	
7	82509A	2	PIN CLEVIS 1/4 x 1/2	
8	58540A	2	SPACER VAC MOTOR IMAGE 14	
9	925004	2	PIN 1/16X1/2 COTTER	
10	68504A	1	VALVE DRAIN PREVENTOR	
11	85397A	2	SCREW 10 24 X 3/8 PAN HD SS	
12	85398A	4	SCREW 1/4-20 X 1/2 PAN HD SS	

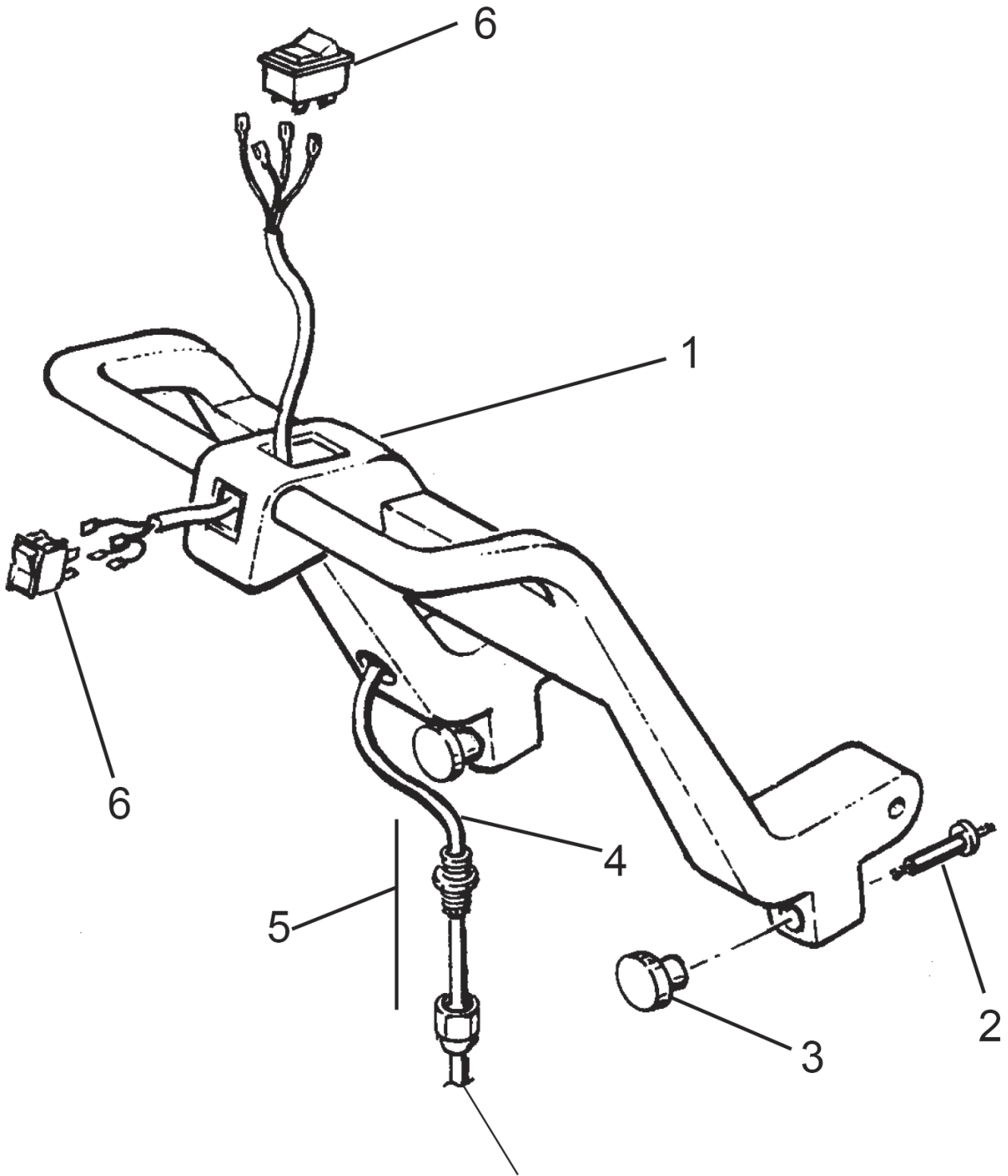
Handle

IMAGE 14

12-02-2015

Part List ID
IMAGE1404

5



To main frame
assembly

Handle

IMAGE 14

12-02-2015

Part List ID
IMAGE1404

6

Pos	Part no.	Qty	Description
1	34811B	1	HANDLECONTROL IMAGE 14
2	57002A	2	POST KNOB IMAGE 14
3	55538A	2	KNOBHANDLE LOCKING IMAGE 14
4	49761B	1	HARNESS WIRING IMAGE 14
5	56459A	1	STRAIN RELIEF EXT-771 PBII (SUPPLIED W/ITEM 4)
6	47411A	2	SWITCH DPST NON ILLUM IMAGE 1

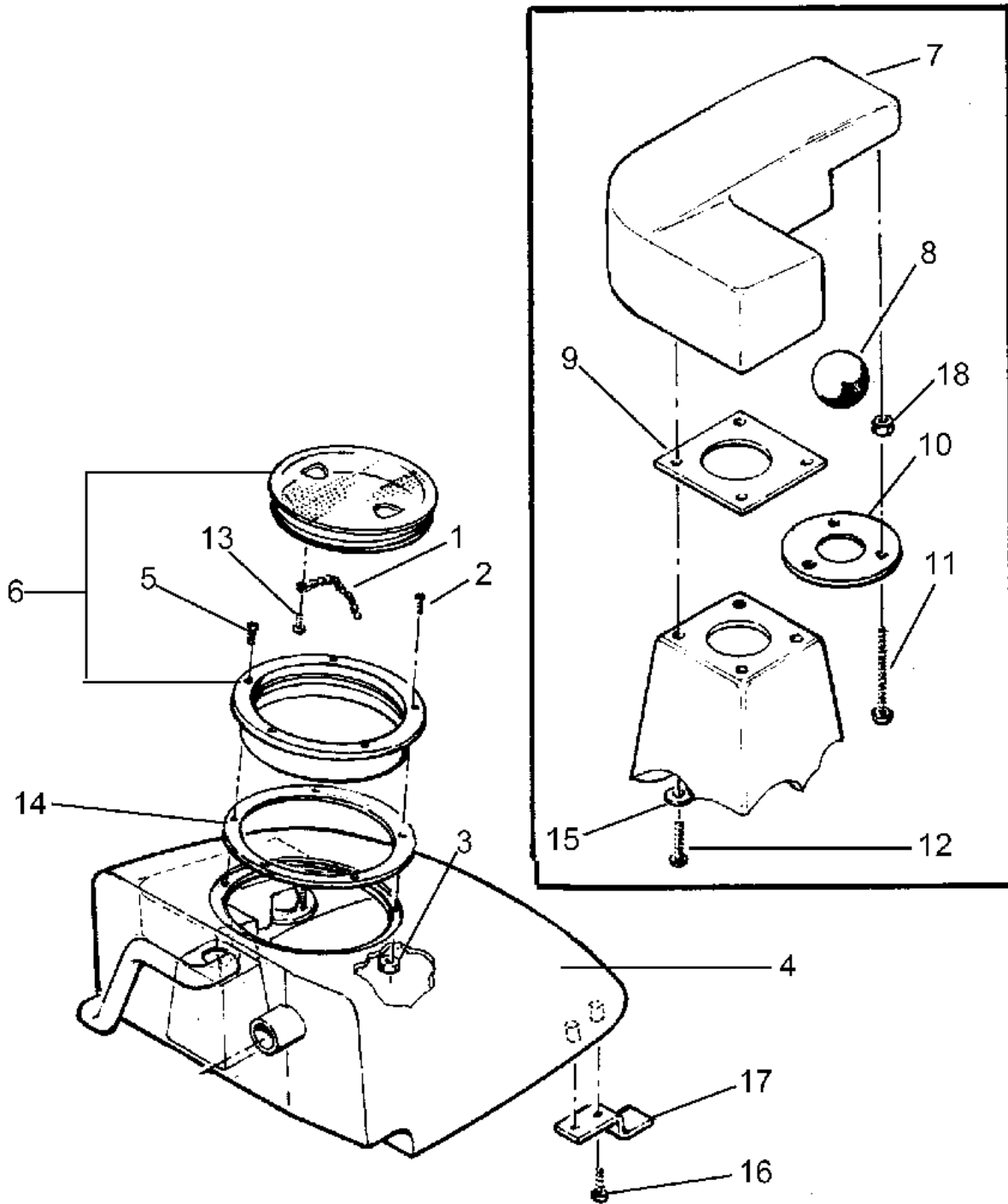
Recovery tank

IMAGE 14

12-02-2015

Part List ID
IMAGE1406

7



Recovery tank

IMAGE 14

12-02-2015

Part List ID
IMAGE1406

8

Pos	Part no.	Qty	Description
1	692409	1	CHAIN-COVER 925A
2	86303A	1	SCREW 10 24 X 1 1/4 TRUSS HD
3	81901A	1	NUT KEPS 10 24 UNC EXT 771
4	30291A	1	TANK REC IMAGE 14 ALTO * SEE NOTE
5	962954	4	SCREW 10-16 X 1 HI-LO PAN
6	55670A	1	LID RECOVERYROUGH IMAGE 14
7	31803A	1	CHAMBER VAC IMAGE 14
8	50805A	1	BALL FLOAT SHUT OFF IMAGE 14
9	34286A	1	GASKET VAC CHAMBER IMAGE 14
10	57425A	1	RETAINER FLOAT IMAGE 14
11	85606A	3	SCREW 10 32 X 3 PAN HD S.S
12	84237A	4	SCREW 10-32 X 1/2 PAN HD SS
13	962987	1	SCR 10 24X 3/8 PN ST TYP23
14	34288A	1	GASKET LID
15	980982	4	WASHER 10 SAE FLAT PLTD
16	85397A	2	SCREW 10 24 X 3/8 PAN HD SS
17	69893A	1	BRACKETRETAINING PNTD IMAGE14
18	920224	1	NUT-10X32 HEX

* NOTE: INDICATES A CHANGE HAS BEEN MADE SINCE THE LAST PUBLICATION OF THIS MANUAL

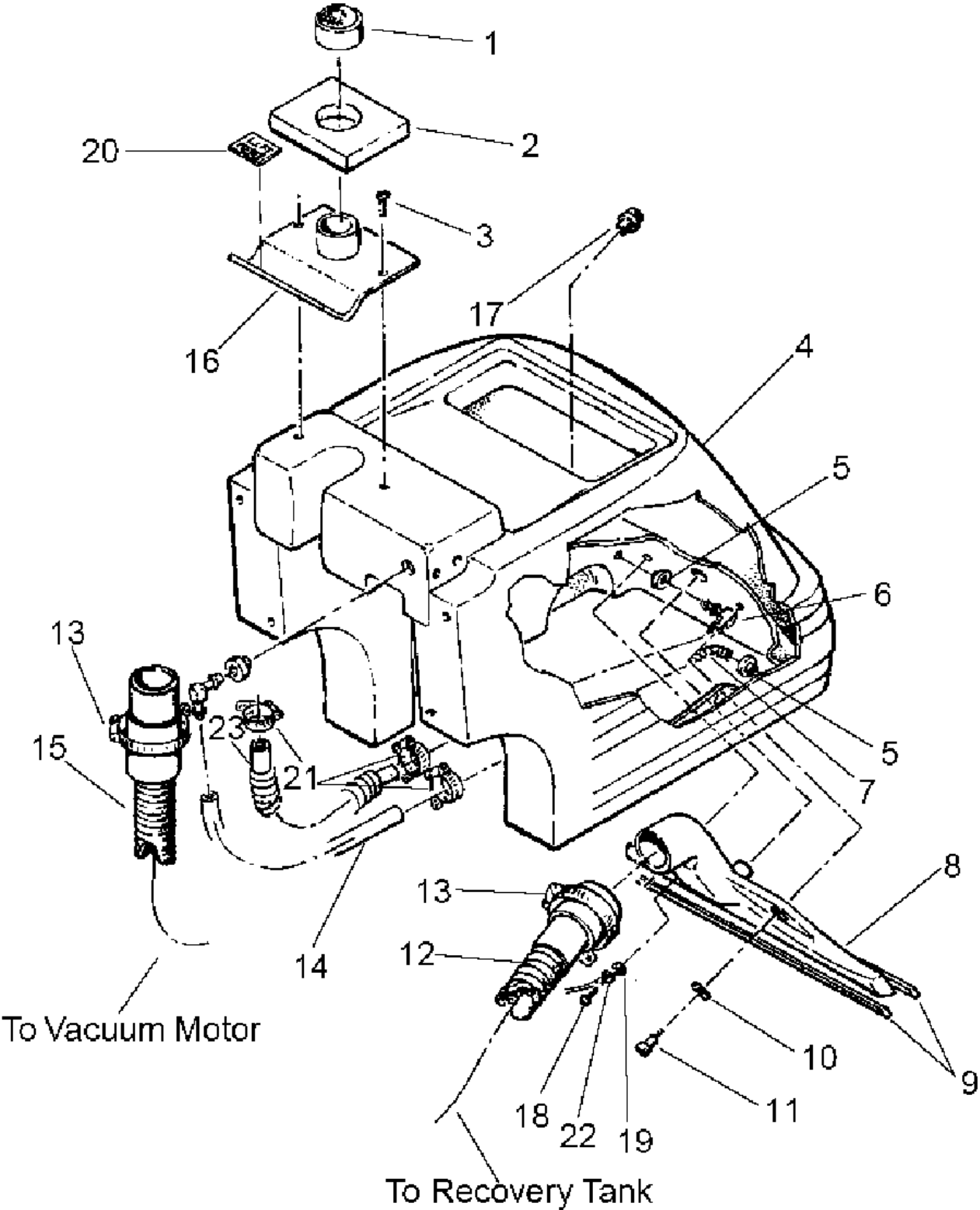
Solution tank

12-02-2015

Part List ID
IMAGE1408

9

IMAGE 14



Solution tank

IMAGE 14

12-02-2015

Part List ID
IMAGE1408

10

Pos	Part no.	Qty	Description	
1	56476A	1	STRAINER VACUUM 32 DLX	
2	54371A	1	GASKETVAC ADAPTOR IMAGE 14	
3	85398A	2	SCREW 1/4-20 X 1/2 PAN HD SS	
4	30289A	1	TANK SOL. IMAGE 14 ALTO	* SEE NOTE
5	51518A	3	BUSHING HOSE CONNECTOR	SERVICE ITEM ONLY
6	52417A	1	CONNECTOR3/8 X 1/4 HOSE	SERVICE ITEM ONLY
7	52414A	2	HOSEBARB 3/8 STRAIGHT	
8	28205A	1	TOOL RECOVERY PNTD IMAGE 14	
9	67616A	2	SHOE RECOVERY TOOL IMAGE 14	
10	87026A	2	WASHER .250 FLAT SS	
11	80018A	2	BOLT SHOULDER 1/4 X 1/4	
12	55166A	1	HOSE RECOVERY IMAGE 14	
13	872010	3	CLAMP HOSE	
15	30419A	1	HOSEVACSQUEEGEEW/CUFFS RIN	
16	60321A	1	ADAPTOR WLDMT.VAC IMAGE 14	
17	58068A	1	SCREEN SOLUTION INTAKE	
18	962333	2	SCREW 10-32 X 1/4 PN ST PH	
19	980603	1	WASHER LK 10 EXT TOOTHPLTD	
20	73379A	1	LABEL LIFT HERE EXT 441	
21	722021	3	CLAMPHOSE 4	
22	48911A	1	WIRE GROUND16GA GREEN	
23	35138A	1	HOSE-SOLN TANK	

*NOTE: INDICATES A CHANGE HAS BEEN MADE SINCE THE LAST PUBLICATION OF THIS MANUAL

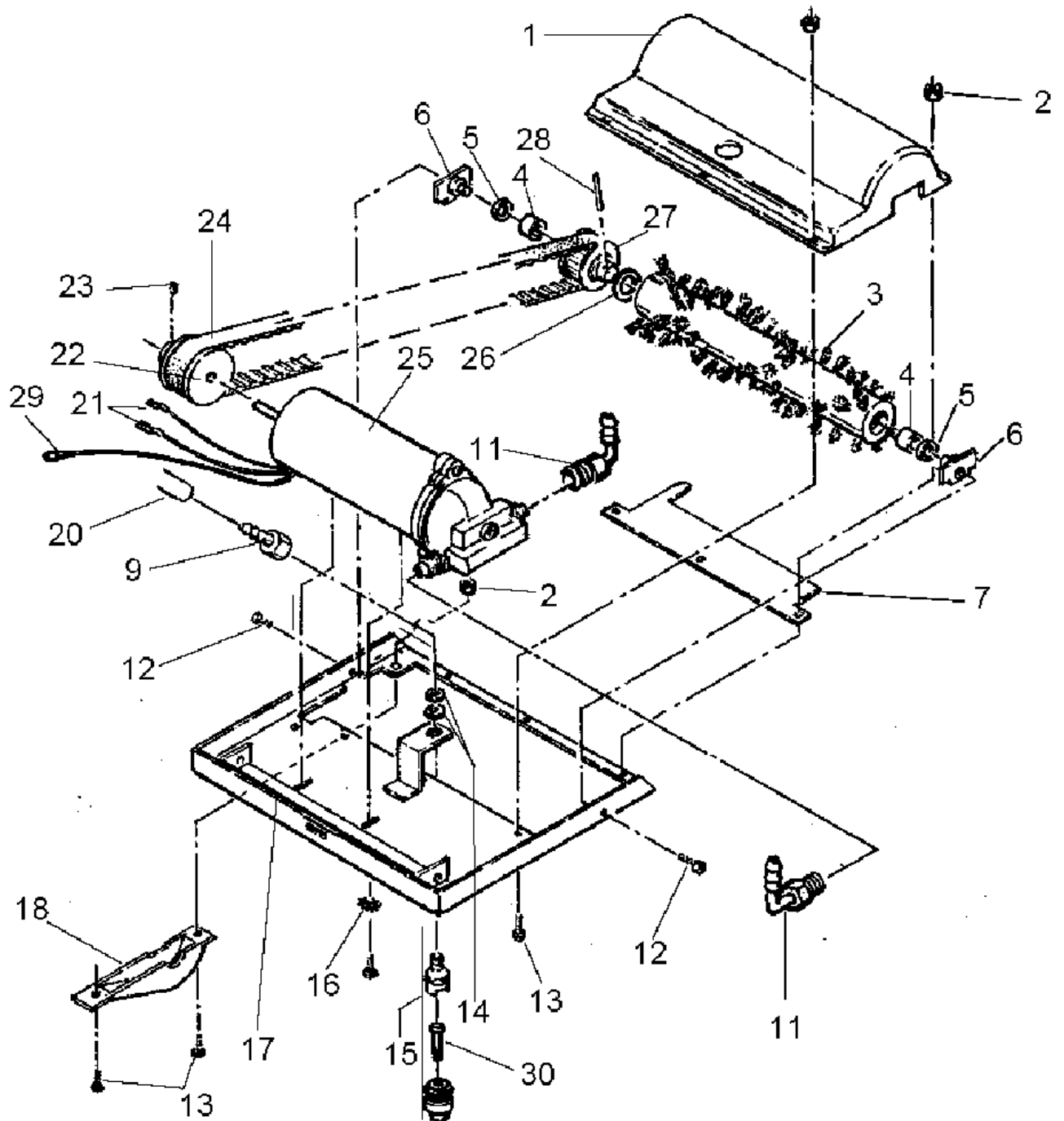
Brush & pump

IMAGE 14

12-02-2015

Part List ID
IMAGE1410

11



Brush & pump

IMAGE 14

12-02-2015

Part List ID
IMAGE1410

12

Pos	Part no.	Qty	Description	
2	920056	7	NUT-6X32 ELASTIC STOP	
3	51713A	1	BRUSH CARPET IMAGE 14	
4	902648	2	BRG-BALL RADIAL DBL SEAL	
5	53047A	2	SEAL SINGLE LIP W/SPG 5/8 ID	
6	66221A	2	PIVOT BRUSH IMAGE 14	
7	34110A	1	GUARD SPLASH IMAGE 14	
9	55167A	1	HOSEBARB 3/8H X 1/4 NPT FEMALE	
11	56382545	2	ELBOW 90 BARB MALE 3/8X3/8 NPT	
12	85837A	2	SCREW 10 24 X 1/4 PAN HD	
13	85607A	7	SCREW 6 32 X 3/8 PAN HD. PHILL	
14	980410	2	WASHER STAINLESS STEEL	SS
15	54169A	1	NOZZLE SPRAY IMAGE14	
16	980603	2	WASHER LK 10 EXT TOOTHPLTD	
17	63535A	1	FRAME WLDMT BRUSH IMAGE 14	
18	32408A	1	COVER PULLEY IMAGE 14	
20	35147A	1	HOSESOL3/8X14EXT 771 SII	
21	47711A	2	TERMINAL1/4 FIFQD 16/14 GA	
22	57271A	1	PULLEY TIMING1/5 PITCH 16T	
23	962628	2	SCR 8-32X 3/16 ST ST CUPPT	
24	50926A	1	BELTTIMINGGATES POWEGRIP	
25	51714A	1	BRUSH/PUMP UNIT IMAGE14	120V
25	51719A	1	BRUSH/PUMP UNIT IMAGE 14	230V
26	980202	1	WASHER-WAVE	
27	66187B	1	SPROCKET 28T DRIVE PIN IMG 16	
28	925549	1	PIN-3/16X1 1/2 ROLL	
29	911933	1	TERMINALRING- 10 16-14 GAUGE	
30	30078A	1	STRAINER SPRAY JET BRASS	OPTIONAL ACCESSORY

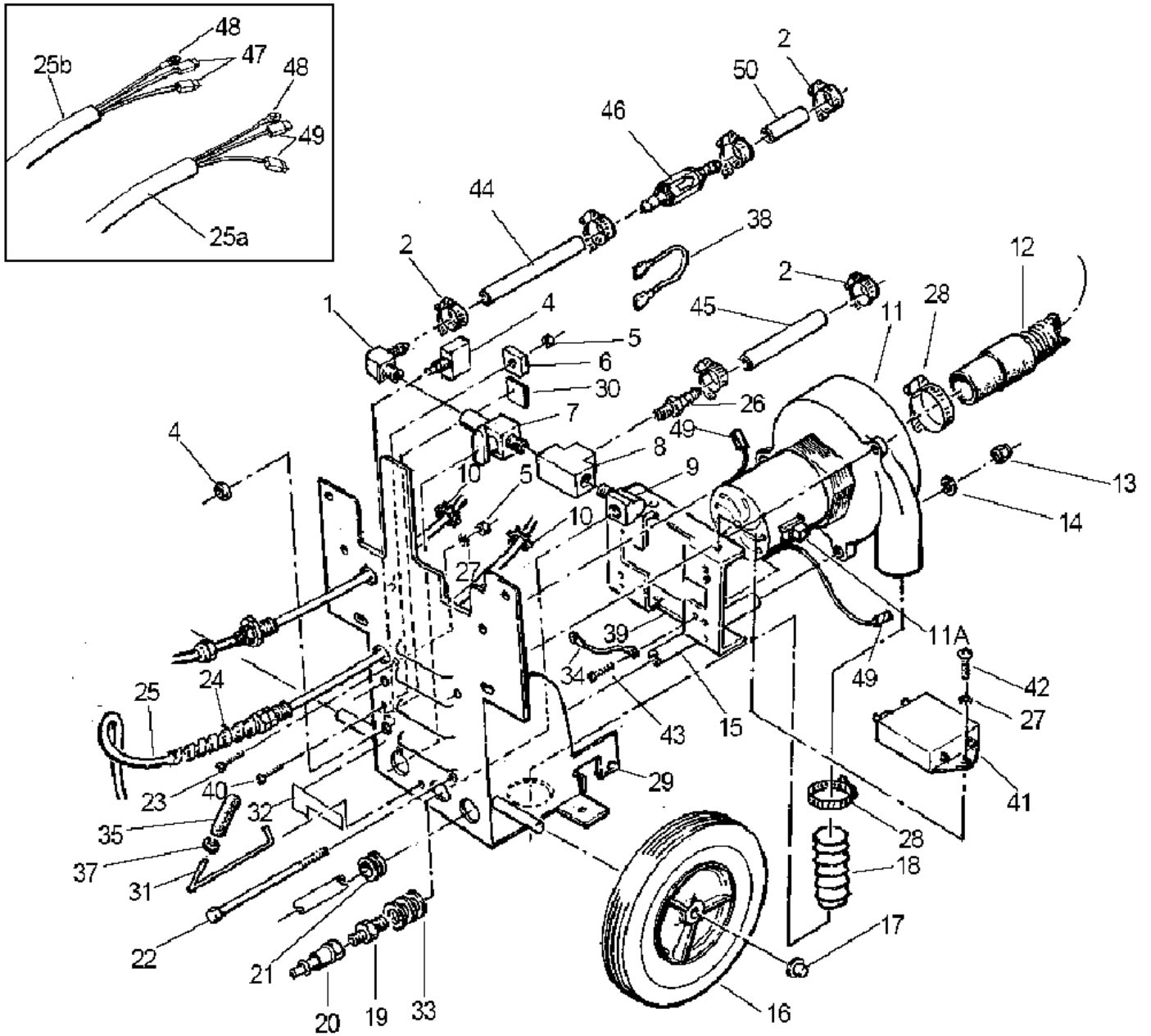
Main frame

IMAGE 14

12-02-2015

Part List ID
IMAGE1412

13



Main frame

IMAGE 14

12-02-2015

Part List ID
IMAGE1412

14

Pos	Part no.	Qty	Description	
1	732870	1	ELBOW 3/8 BARB TO 1/4 MPT	
2	50248A	6	CLAMP 3/8 HOSE	
4	41427B	1	BREAKERCIRCUIT2.5AQD.25 ST	120V
4	41430b	1	BREAKER CIRCUIT 1.5A QD .25 ST	6A 230V
5	920224	3	NUT-10X32 HEX	
6	46103A	1	RECTIFIER BRIDGE EXT 771/441	
7	59728A	1	VALVE PLUG EXT 771/441 CFS 2	
8	170066	1	TEE1/4NPT BRASS SQUARE BODY	
9	170040	1	ELBOW STREET 1/4 90 DEG BRASS	
10	82100A	2	LOCKNUT 1/2 CONDUIT	
11	44923A	1	MOTOR VAC 120V IMAGE 14	
11	44924A	1	MOTORVACUUM 230V IMAGE 14	
12	30419A	1	HOSEVACSQUEEGEEW/CUFFS RIN	
13	81102A	3	NUT STOP ELASTIC 1/4-20 HEX	
14	87026A	3	WASHER .250 FLAT SS	
15	58537A	3	SPACER VAC MOTOR IMAGE 14	
16	59951A	2	WHEEL 8	
17	920346	2	PALNUT PW500015 TYPE W	
18	674111	1	HOSE EXHAUST DUAL	
19	697501	1	REDUCER-1/4 NPT TO 1/8 NPT	
20	737140	1	QUICK DISCONNECT 7809 915 1/8	
21	611101	1	BUSHING MOTOR	
22	85742A	3	SCREW1/4 20PLAIN HEX CAP S.S	
23	85608A	1	SCREW 10-32 X 3/4 PN HD PHILL	
24	58013A	1	STRAIN RELIEF EXT-771	
25	42188A	1	CORD POWER SUPPLY 14/335FT G	
25	42235A	1	CORD HO5VV F3G1.5 36FT GRAY	
26	170030	1	HOSEBARB3/8H X 1/4MPT BRASS	
27	980603	4	WASHER LK 10 EXT TOOTHPLTD	
28	872010	2	CLAMP HOSE	
29	63536A	1	FRAMEMAIN WLDMT IMAGE 14	
30	77094A	1	LABEL GROUND SYMBOL	
31	57424A	1	ROD BRUSH HEIGHT IMAGE 14	
32	77345A	1	LABELACCESSORY IMAGE 14	
33	980410	3	WASHER STAINLESS STEEL	
34	954010	1	WIRE ASSEMBLY 16 GREEN 937A	
35	32411A	1	COVERBRUSH HEIGHT ROD IMAGE14	
36	53619A	1	ADAPTOR 3/8 BARB X 1/4 NPT NYL	
37	87626A	1	WASHER RETAINING.240 I.D.	
38	49080A	1	WIRERECTIFIER	
39	69894A	1	BRACKETFILTER	
41	47201A	1	SUPPRESSOR RF 8A IMAGE 14	
42	962987	2	SCR 10 24X 3/8 PN ST TYP23	(230V ONLY)

Main frame

IMAGE 14

12-02-2015

Part List ID
IMAGE1412

15

Pos	Part no.	Qty	Description	
43	85833A	1	SCREW MACHINE 10-32 TYPE 23	
44	35176A	1	HOSE 3/8 X 7 1/2 EXT 441	
45	35147A	1	HOSESOL3/8X14EXT 771 SII	
46	59621A	1	VALVECHECK 3/8 X 3/8 IMAGE 14	
47	47711A	2	TERMINAL1/4 FIFQD 16/14 GA	
48	911933	1	TERMINALRING- 10 16-14 GAUGE	
49	47905a	1	TERMINAL1/4 FIMQD 16 14 GA.	
50	35172B	1	HOSE DISCHARGE INTAKE	
51	40164A	1	CORD POWER SUPPLY	POWER 120V
52	40149A	1	CORD ASM POWER 36FT 230V	POWER 230V
11A	40833A	1	BRUSH ASM. CARBON	(2-REQUIRED)

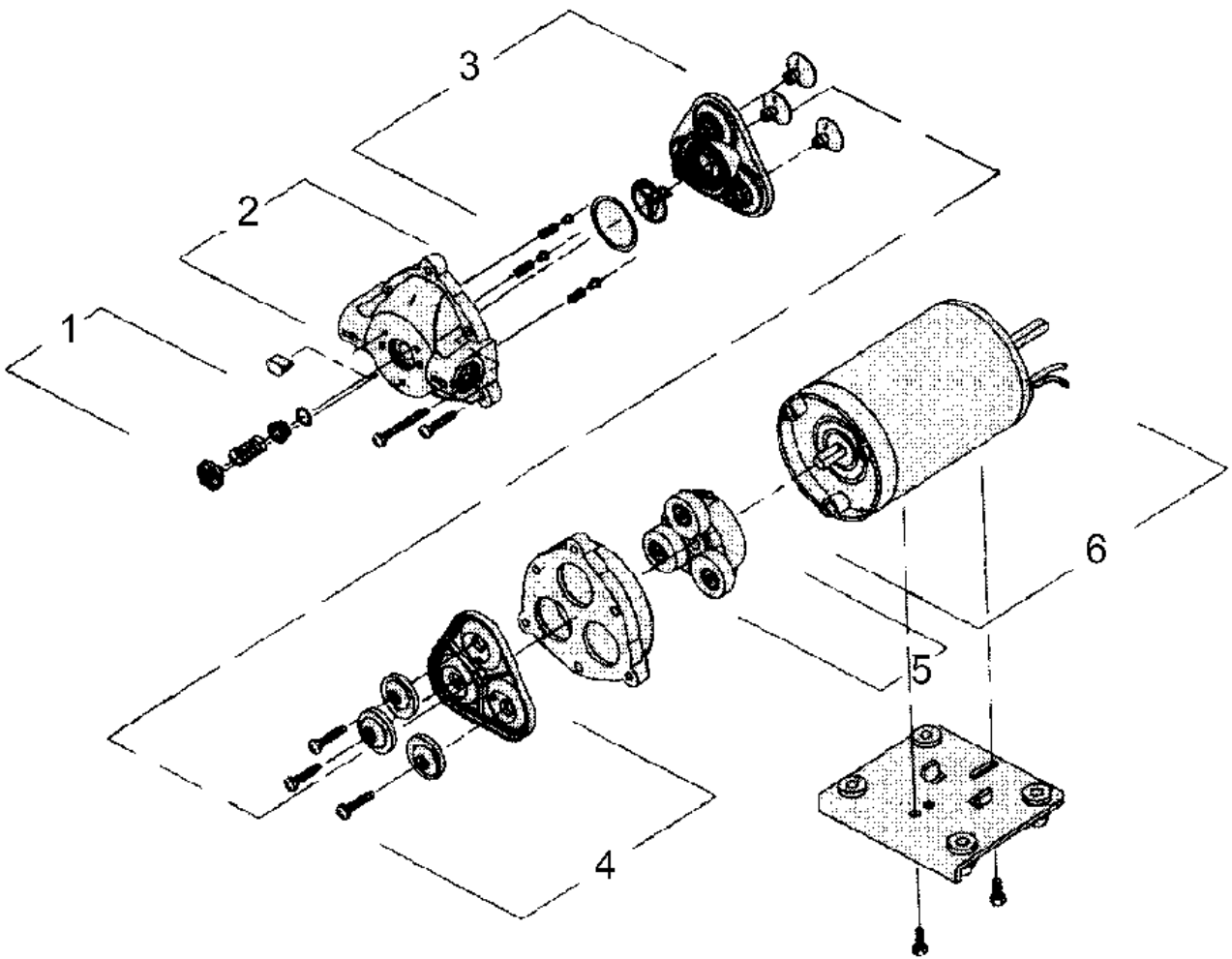
Brush and pump unit

IMAGE 14

12-02-2015

Part List ID
IMAGE1414

16



Brush and pump unit

IMAGE 14

12-02-2015

Part List ID
IMAGE1414

17

Pos	Part no.	Qty	Description
1	52908A	1	CHECK VALVE KIT
2	55447A	1	UPPER HOUSING KIT
3	59783A	1	VALVE KIT
4	55449A	1	DIAPHRAGM KIT
5	55450A	1	DRIVE ASM KIT
6	44926A	1	MOTORPUMP/BRUSH 115V IMAGE14
7	55174A	1	HEADPUMP IMAGE 14

INCLUDES # 1,2,3.& 4 ASSEMBLED

230 Volt connection diagram

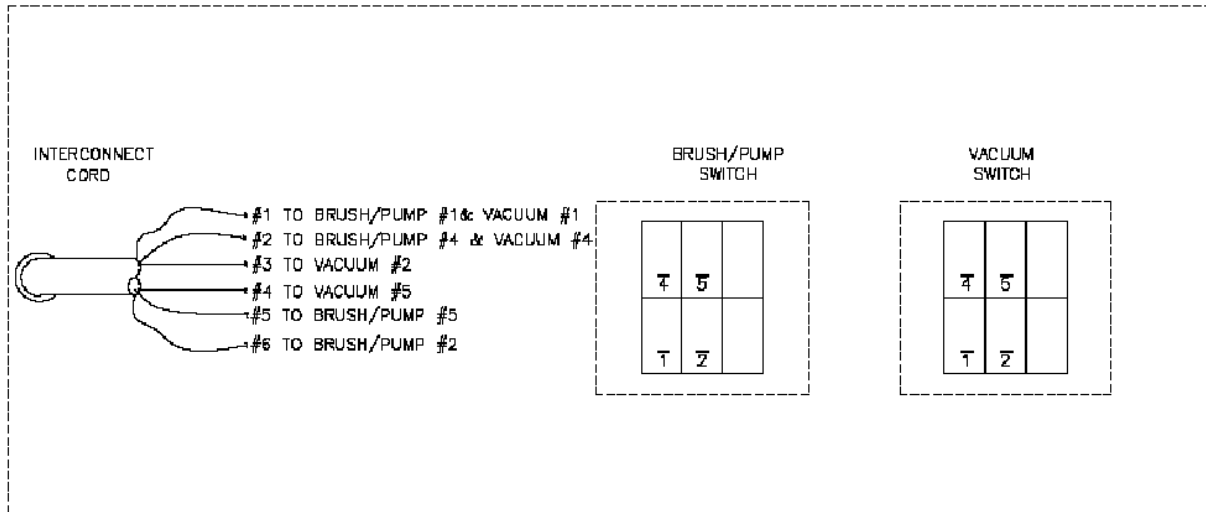
12-02-2015

Part List ID
IMAGE1416

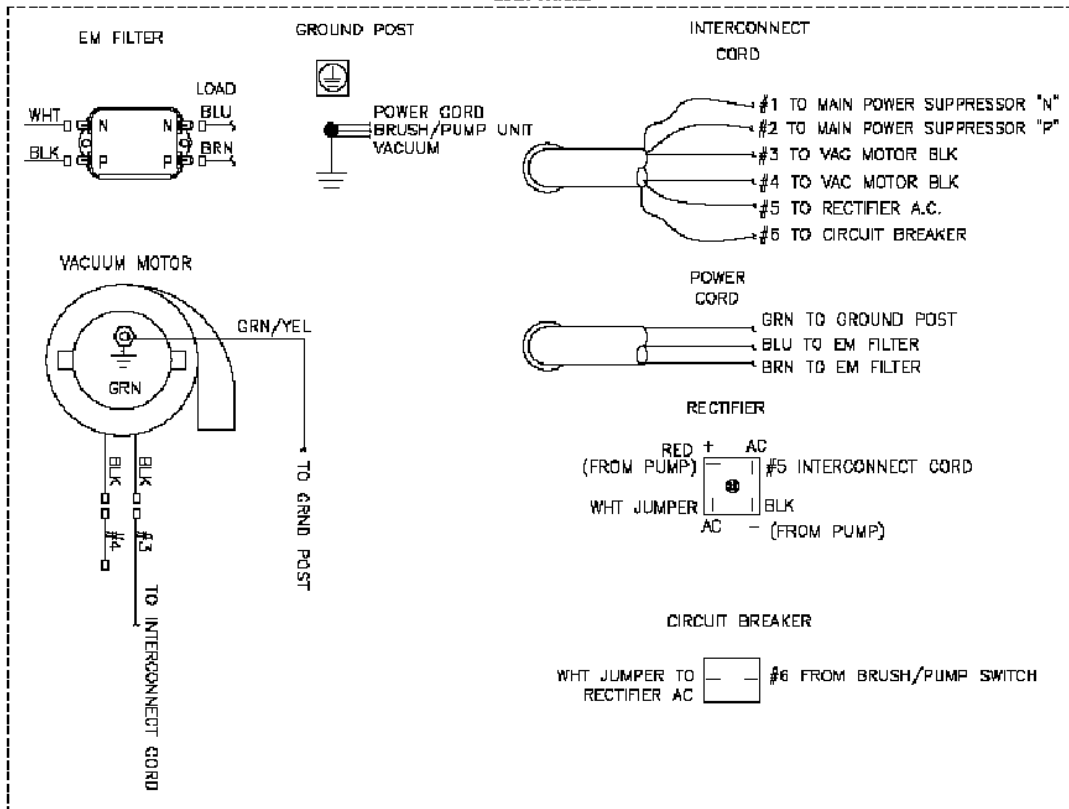
IMAGE 14

18

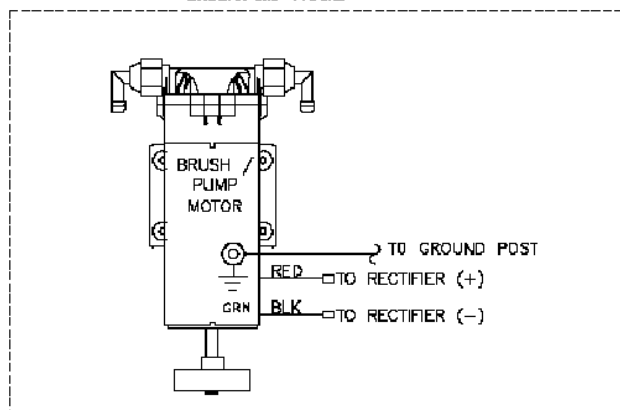
CONTROL HANDLE



MAIN FRAME



BRUSH/PUMP FRAME



230 Volt connection diagram

IMAGE 14

12-02-2015

Part List ID
IMAGE1416

19

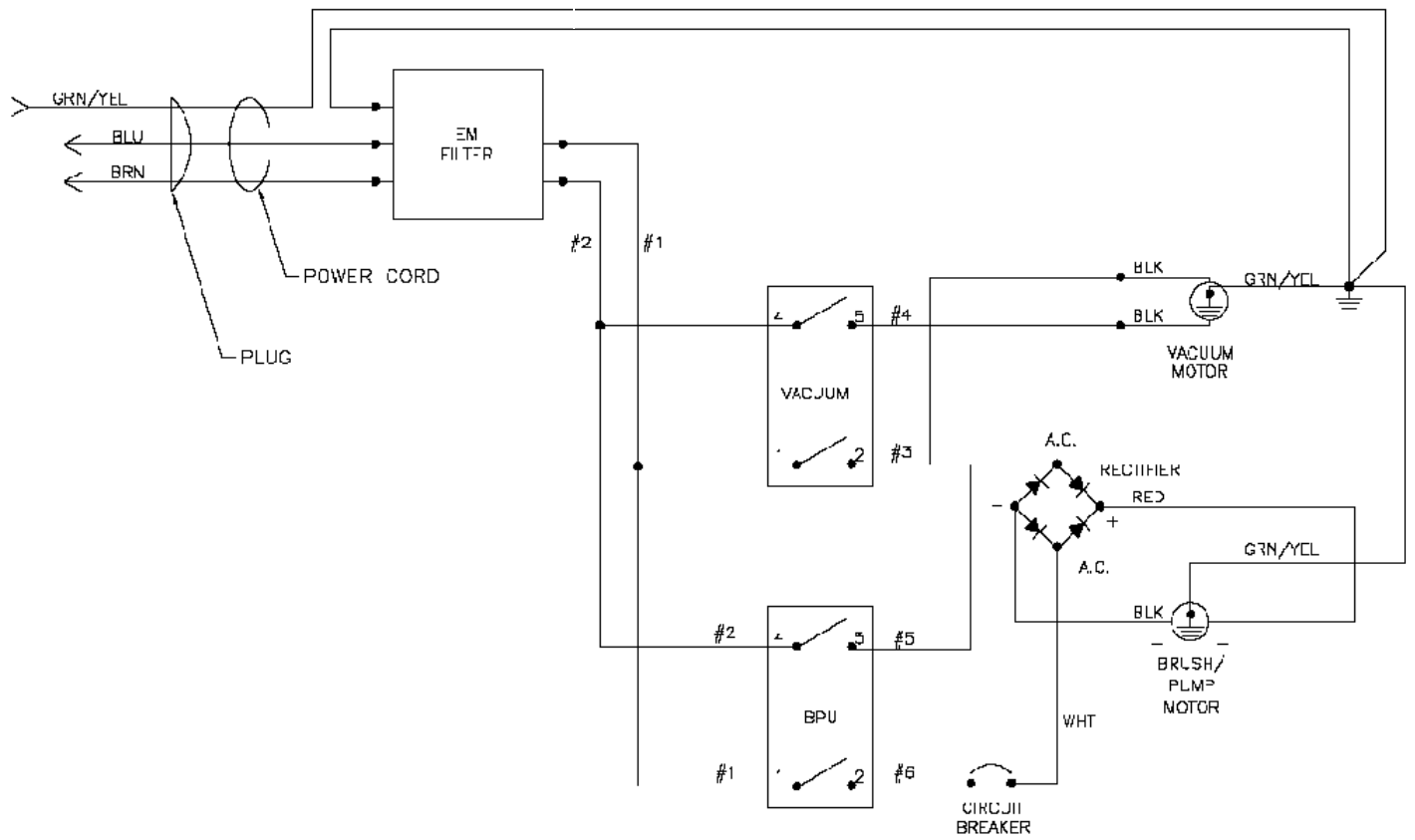
230 Volt electrical schematic

IMAGE 14

12-02-2015

Part List ID
IMAGE1418

20



230 Volt electrical schematic

IMAGE 14

12-02-2015

Part List ID
IMAGE1418

21

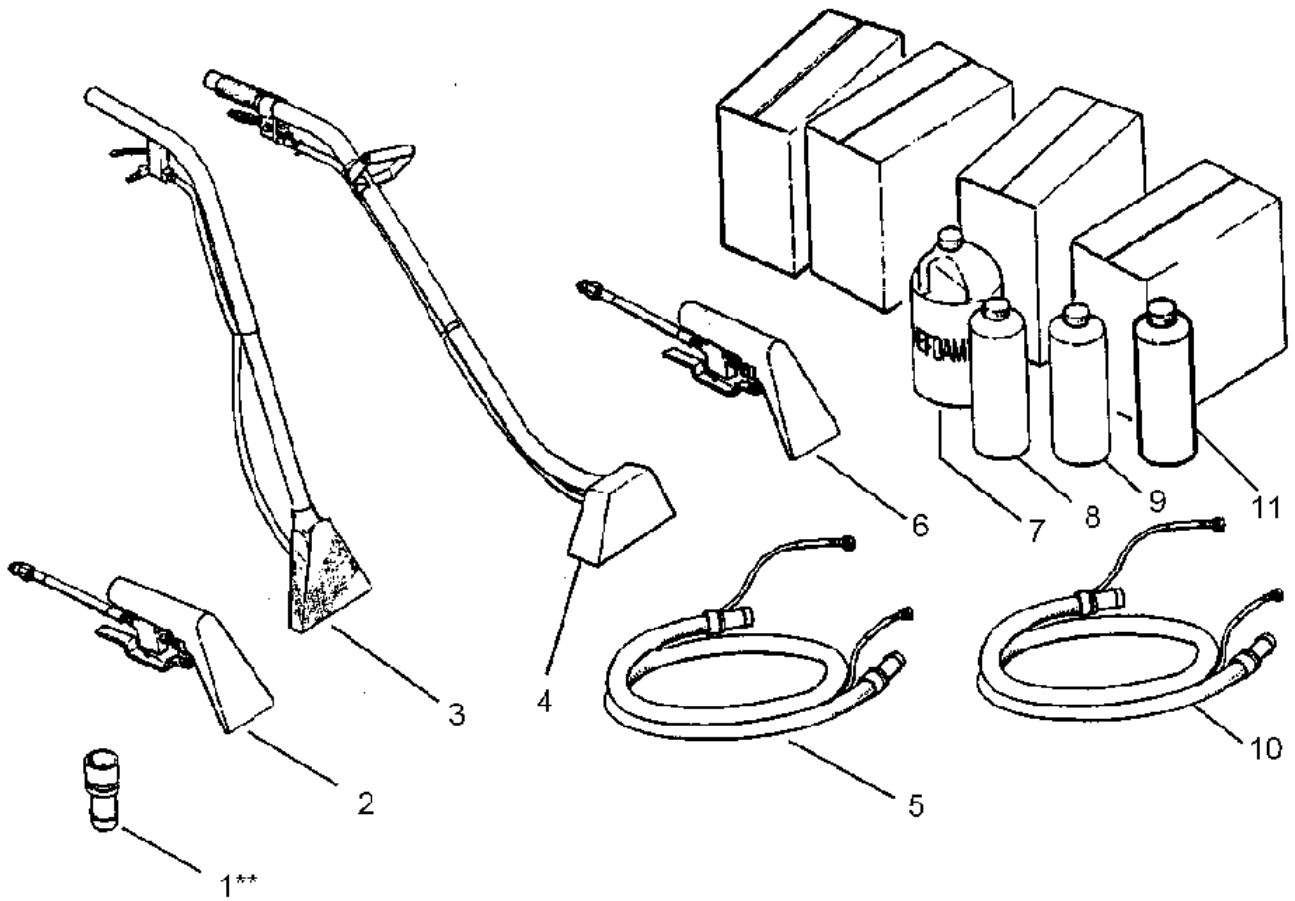
Accessories

IMAGE 14

12-02-2015

Part List ID
IMAGE1420

22



Accessories

IMAGE 14

12-02-2015

Part List ID
IMAGE1420

23

Pos	Part no.	Qty	Description	
2	56220109	1	HAND TOOL	REQUIRED TO USE ANY ACCESSORY
3	59230A	1	TOOLFLOOR WANDPLASTIC 8	
4	59229A	1	TOOLFLOOR METAL 12	
5	59232A	1	HOSE ASSYVAC-SOL 10	
6	59228A	1	TOOLHAND 4 METAL	
7	398426	1	CLARKCARE CASE 4 GAL D/F	4, 1 GALLON BOTTLES
8	398425	1	CLARKARE CONC CASE 4 GAL	4, 1 GALLON BOTTLES
9	398427	1	CLARKCARE CASE 4 GAL T/L	4, 1 GALLON BOTTLES
10	55183A	1	HOSE ASSYVAC SOL 20FT.	
11	51361A	1	ALL PURPOSES SPOTTER CASE	
NI	67403B	1	SHAFT ASM-WHEEL	
ASM	55173A	1	TOOL AND HOSE ASSY HAND 4	