

# GU 700A

---

Model:  
GU 700 A



Part List US-English

27-03-2015

# Table of Contents

GU 700A

<b>Base System</b>	<b>3</b>
<b>Brush motor assembly</b>	<b>6</b>
<b>Decal System</b>	<b>8</b>
<b>Handle system 1 (BEFORE SN1876507)</b>	<b>10</b>
<b>Handle system 2 (BEFORE SN1876507)</b>	<b>13</b>
<b>Handle system 1 (AFTER SN1876506)</b>	<b>16</b>
<b>Handle system 2 (AFTER SN1876506)</b>	<b>19</b>
<b>Wiring diagram - 240V</b>	<b>22</b>
<b>Wiring diagram - 100V</b>	<b>24</b>
<b>56323296 - Vacuum Tool Kit</b>	<b>26</b>
<b>56323296 - Vacuum Tool Kit</b>	<b>28</b>
<b>56330920 - Microstat Filter Kit</b>	<b>30</b>

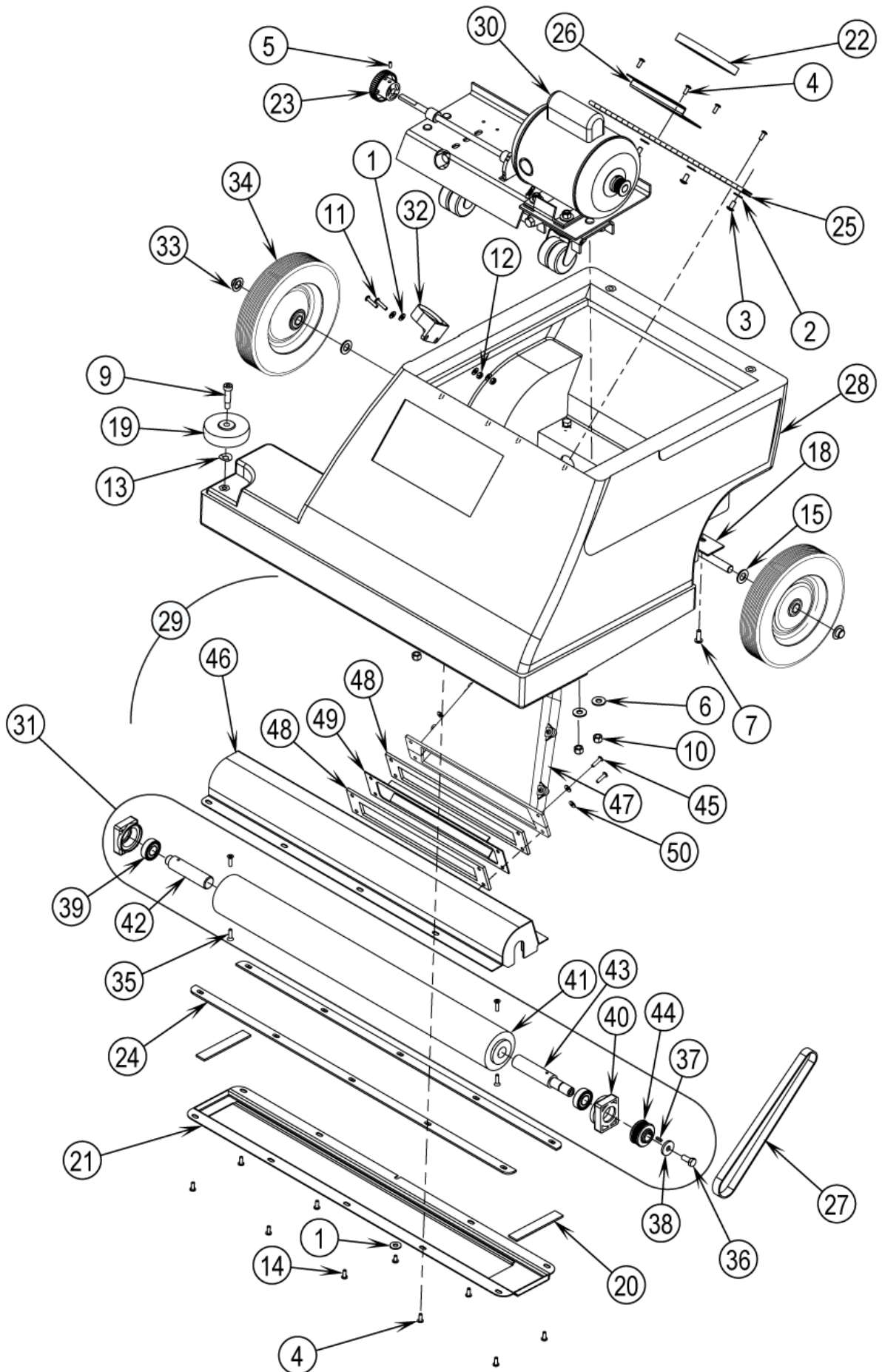
# Base System

GU 700A

27-03-2015

Part List ID  
GU700A3

3



# Base System

GU 700A

27-03-2015

Part List ID  
GU 700A3

4

Pos	Part no.	Qty	Description	
1	56001954	5	WSH FLT SAE 10	
2	56002098	4	WSH FLT SAE 1/4	
3	56002145	4	SCR PAN PHIL 1/4-20 X .50	
4	56002147	13	SCR PAN PHIL 10-32 X .50	
5	56003123	1	SCR SOC SET 10-24 X .38	
6	56001939	4	WSH FLT SAE 5/16	
7	56002066	2	SCR PAN PHIL 1/4-20 X .62	
9	56003472	1	SCR SOC SHD.38X1.00X5/16-18	
10	56002826	4	NUT HEX NYL LOC-THIN 5/16-18	
11	56002674	2	SCR PAN PHIL 10-24 X 1.00	
12	56002832	2	NUT HEX NYL LOC-THIN 10-24	
13	56009024	1	WSH BOWED .375X.844X.060	
14	56009030	1	SCR PAN PHIL THD FOM 10-24X.38	
15	56009003	4	WSH FLT .516X.938X.075	TSBUS2002-798
18	56330045	1	WELDMNT AXLE	TSBUS2002-798
19	56049261	1	WHEEL	
20	56052279	2	GASKET FOAM	
21	56381747	1	PLATE-BOTTOM 28 UPRIGHT	
22	56055054	1	GASKET FOAM	
23	56475480	1	KNOB 2.00X.375 RE253C	
24	56055187	2	GASKET FOAM	
25	56055213	1	HINGE BUTT	
26	56055217	1	BRACKET INTAKE TUBE	
27	56055123	1	BELT V--6VS 22.00 PL	
28	56330010	1	TANK BASE MACHINED	
29	56330011	1	BRUSH HOUSING ASSY.	Pos. 45-50 - TSBUS2002-808
30	56330050	1	BRUSH MOTOR ASSEMBLY	240V-60Hz/ see associated pages
30	56330901	1	BRUSH MOTOR ASSY	240V / see associated pages
30		1	NOTE COMMENT	100V / see associated pages - not available
31	56330015	1	BRUSH ASSY.	Pos. 35-44 - TSBUS2002-808
32	56331151	1	HOLDER TUBE	
33	56009097	2	NUT PUSH CAP 1/2	TSBUS2002-798
34	56330051	2	WHEEL	TSBUS2002-798 / NOTE 1
35	56001900	4	SCR FLT PHIL 10 24 X .75	
36	56002956	1	SCR HEX LOC 5/16 18 X .75	
37	56003235	1	KEY SQ .12 X .44	
38	56001939	1	WSH FLT SAE 5/16	
39	56027222	2	BEARING BALL	
40	56055030	2	MOUNT BEARING BRUSH	
41	56055126	1	BRUSH CYL.	
42	56055127	1	SHAFT BRUSH	
43	56330014	1	SHAFT BRUSH	
44	56330914	1	SHEAVE POLY-V BELT	

NOTE 1: Wheel 56330051 has replaced 56210148 in production.

# Base System

GU 700A

27-03-2015

Part List ID  
GU 700A3

5

Pos	Part no.	Qty	Description
45	56002192	4	SCR PAN PHIL 10-24 X .75
46	56034673	1	WELDMENT BRUSH HOUSING
47	56055121	1	TUBE INTAKE MACHINED
48	56055122	2	GASKET FOAM
49	56055615	1	PLATE STEEL
50	56001954	4	WSH FLT SAE 10

NOTE 1: Wheel 56330051 has replaced 56210148 in production.

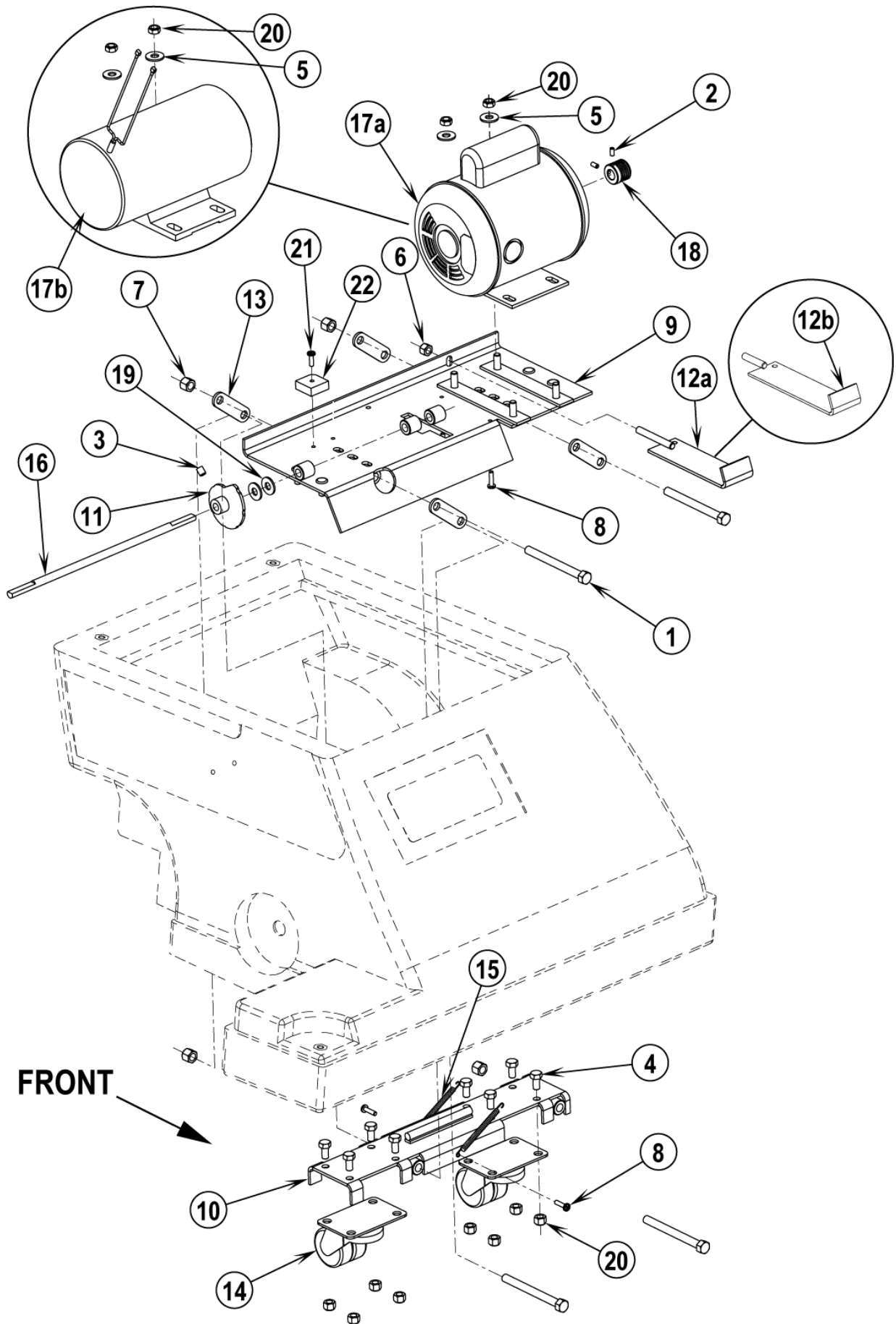
# Brush motor assembly

GU 700A

27-03-2015

Part List ID  
GU700A5

6



# Brush motor assembly

GU 700A

27-03-2015

Part List ID  
GU 700A5

7

Pos	Part no.	Qty	Description	
1	56001819	4	SCR HEX 3/8 16 X 4.00	
2	56001823	2	SCR SOC SET LOC 10 24 X .38	
3	56002021	1	SCR SOC SET LOC 5/16 18 X .38	
4	56002035	8	SCR HEX 5/16 18 X .62	
5	56001939	2	WSH FLT SAE 5/16	
6	56002701	1	NUT HEX NYL LOC 5/16-18	
7	56002769	4	NUT HEX NYL LOC 3/8-16	
8	56009043	4	SCR PAN PHIL THD FORM10-24X.75	
9	56034675	1	WELDMENT BRACKET	240V
9		1	NOTE COMMENT	100V - not available
10	56034677	1	CASTER BRACKET WELDMENT	
11	56034679	1	WELDMENT CAM HEIGHT ADJUST	
13	56055031	4	BAR	
14	56055134	2	CASTER	
15	56055135	2	SPRING EXT.	
16	56055137	1	SHAFT .375DIA. HEIGHT ADJ.	
18	56330016	1	SHEAVE POLY V BELT	
19	56001939	2	WSH FLT SAE 5/16	100V
20	56002826	10	NUT HEX NYL LOC-THIN 5/16-18	
21	56009100	1	SCR PANPHILTHD BLK 10-24X.62	100V
22	56180163	1	RECTIFIER 40A	100V
12A	56034691	1	WELDMENT ADJUSTMENT BRACKET	240V
12B		1	NOTE COMMENT	100V - not available
17A	56330013	1	MOTOR 1/3 HP 120V.	240V-60Hz
17A	56330908	1	MOTOR 1/3 HP 230V	240V
17A	56755056	1	CAPACITOR 400-480MF E00208	For 56330013 - Not shown
17B	56330928	2	BRUSH CARBON 2 REQD	For 56330926 - Not shown
17B	56330929	2	BRUSH SPRING 2 REQD	For 56330926 - Not shown
17B	56330930	2	BRUSH COVER 2 REQD	For 56330926 - Not shown
17B		1	NOTE COMMENT	100V - not available

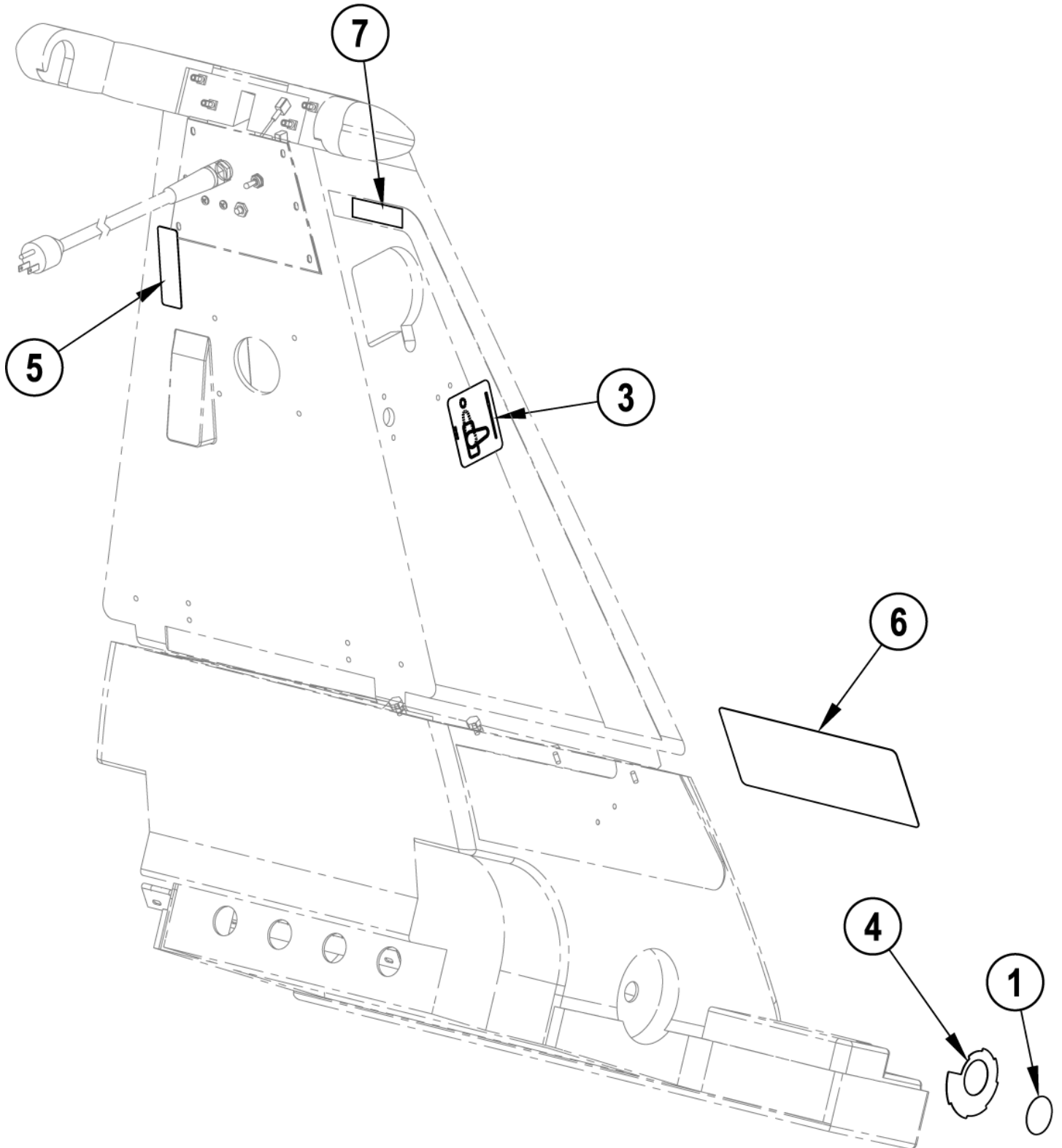
# Decal System

GU 700A

27-03-2015

Part List ID  
GU700A7

8





# Decal System

GU 700A

27-03-2015

Part List ID  
GU700A7

9

Pos	Part no.	Qty	Description	
1	56015188	1	DECAL KNOB	
3	56016619	1	WAND DECAL	After May 2005
4	56057686	1	LABEL INSTR.	
5	56630714	1	LABEL WARNING UPRT ENG/FRENCH	100V
6	56016368	1	DECAL- GU 700A	
7	56014119	6	DECAL GROUND SYMBOLHC398B	Before June 2005
7	56016475	1	DECAL WAND	Not shown

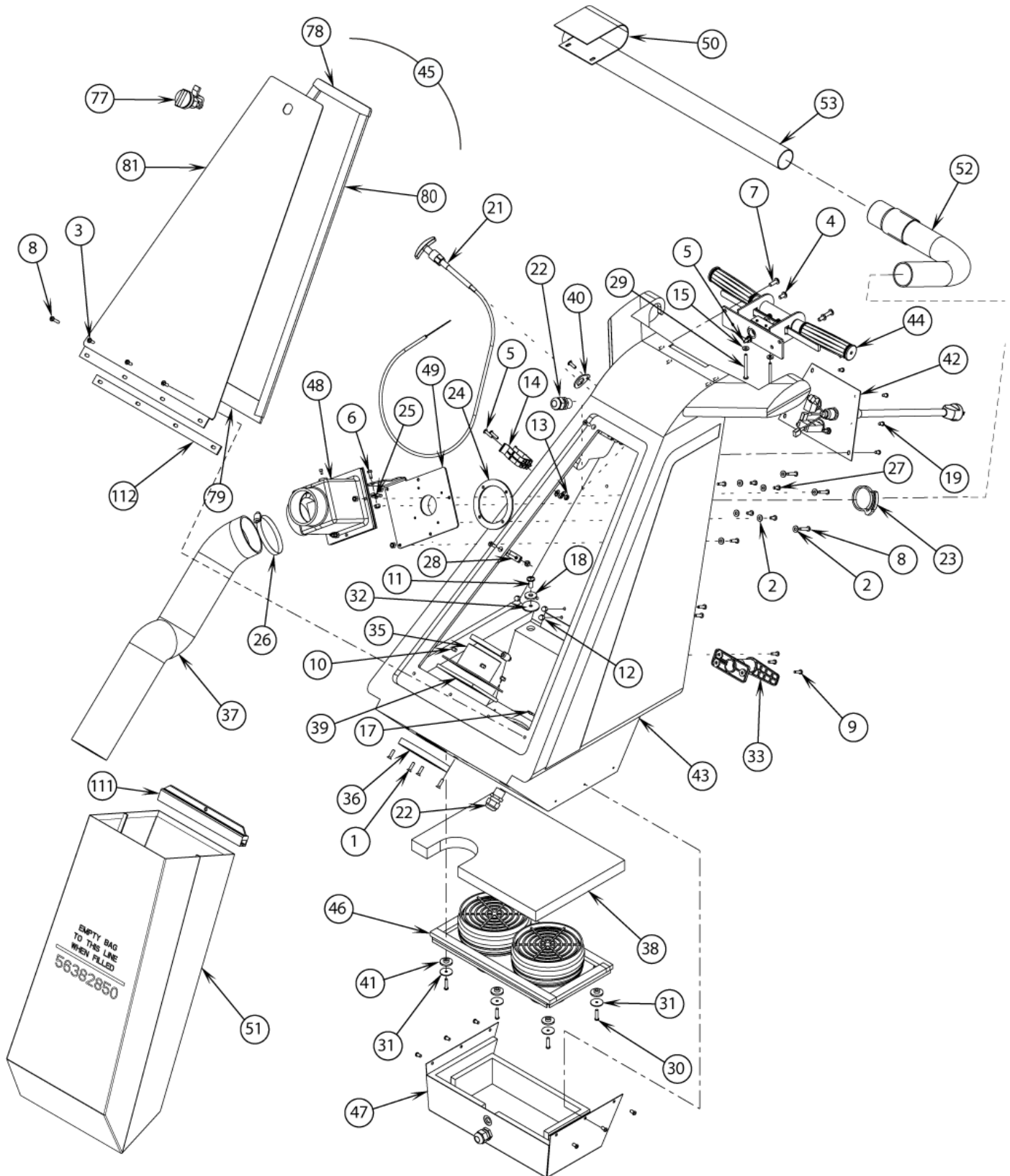
# Handle system 1 (BEFORE SN1876507)

GU 700A

27-03-2015

Part List ID  
GU700A9

10



# Handle system 1 (BEFORE SN1876507)

GU 700A

27-03-2015

Part List ID  
GU 700A9

11

Pos	Part no.	Qty	Description	
1	56001900	6	SCR FLT PHIL 10 24 X .75	
2	56001954	11	WSH FLT SAE 10	
3	56002124	3	SCREW10-24 X .62 PNH PH	
4	56002145	2	SCR PAN PHIL 1/4-20 X .50	
5	56002192	4	SCR PAN PHIL 10-24 X .75	
6	56002503	1	SCR HEX 10-24 X .50	
7	56002507	2	SCR PAN PHIL 1/4-20 X .75	
8	56002674	4	SCR PAN PHIL 10-24 X 1.00	
9	56001993	6	SCREW 10-24 X 0.5 ZINC PL	
10	56002832	17	NUT HEX NYL LOC-THIN 10-24	
11	56002793	2	SCR PAN PHIL 5/16-18 X .75	
12	56009061	6	NUT ACORN S.S. 10 24	
13	56002832	2	NUT HEX NYL LOC-THIN 10-24	
14	56331154	1	CLAMP PLASTIC	
15	56009011	2	WSH INT SHPRF 10	
17	56009095	2	NUT CONDUIT LOCK 1/2 14	
18	56009122	2	WSH FLT .344X.938X.125	
19	56009247	12	SCR PN PHIL PLASTITE 10-14X.38	
21	56331349	1	CABLE	
22	56323135	2	STRAIN RELIEF E00220	
23	56331304	1	CLAMP HOSE E00557	
24	56330909	1	GASKET	
25	56344265	1	CLAMP CABLE AS510A	
26	56352829	2	CLAMP HOSE SAE 52 E00047	
27	56009082	4	SCR PANPHILTHD FORMBLK10-24X.5	
28	56385564	3	CLAMP CABLE .625 E00129	
29	56003503	2	SCR PAN PHIL 10-24 X 2.25	
30	56003112	6	SCR PAN PHIL PLASTITE 10-14X1	
31	56009268	6	WSH FLT .187 X 1.000 X .062	
32	56009275	2	WSH NEOPRENE .25X1.375X.093T	
33	56171112	2	CORD HOOK ASSY	
35	56034690	1	HOSE CONNECTOR	
36	56055054	1	GASKET FOAM	
37	56055081	1	HOSE	
38	56055084	1	GUARD BAG	
39	56055182	1	GASKET FOAM	
40	56330921	1	PLATE	
41	56111384	6	BUSHING	
42	56330902	1	ELECTRICAL ASSY.	Pos. 54-63 - 240V
42	56330932	1	ELECTRICAL ASSY.	Pos. 54-63 - 100V
42	56330941	1	ELECTRICAL ASSY.	Pos. 54-63 - 240V/Arg
43	56330835	1	TANK UPPER MACHINED	
44	56330005	1	HANDLE ASSY.	Pos. 64-75

# Handle system 1 (BEFORE SN1876507)

GU 700A

27-03-2015

Part List ID  
GU 700A9

12

Pos	Part no.	Qty	Description	
45	56330006	1	DOOR ASSY.	Pos. 77-81
46	56330903	1	VACUUM MOTOR ASSY.	Pos. 82-90, 106-110 - 240V
46	56330937	1	VACUUM MOTOR ASSY 100V	Pos. 82-90, 106-109 - 100V
47	56330008	1	MUFFLER ASSY.	Pos. 91-95
48		1	NOTE COMMENT	BUTTERFLY ASSY. Pos. 96-105
49	56330021	1	TUBE WELDMENT	
50	56639107	1	WELDMENT SWITCHBOX COVER	
51	56330690	1	BAG DISP.6PAK 28	Package of 6 - Optional - Not shown
51	56382850	1	BAG COLLECTOR	
52	56331152	1	HOSE ASSY. VAC	
53	56331153	1	TUBE WAND	
111	56330608	1	CLIP BAG HC512E	for 56382850
112	56055218	1	GASKET FOAM	

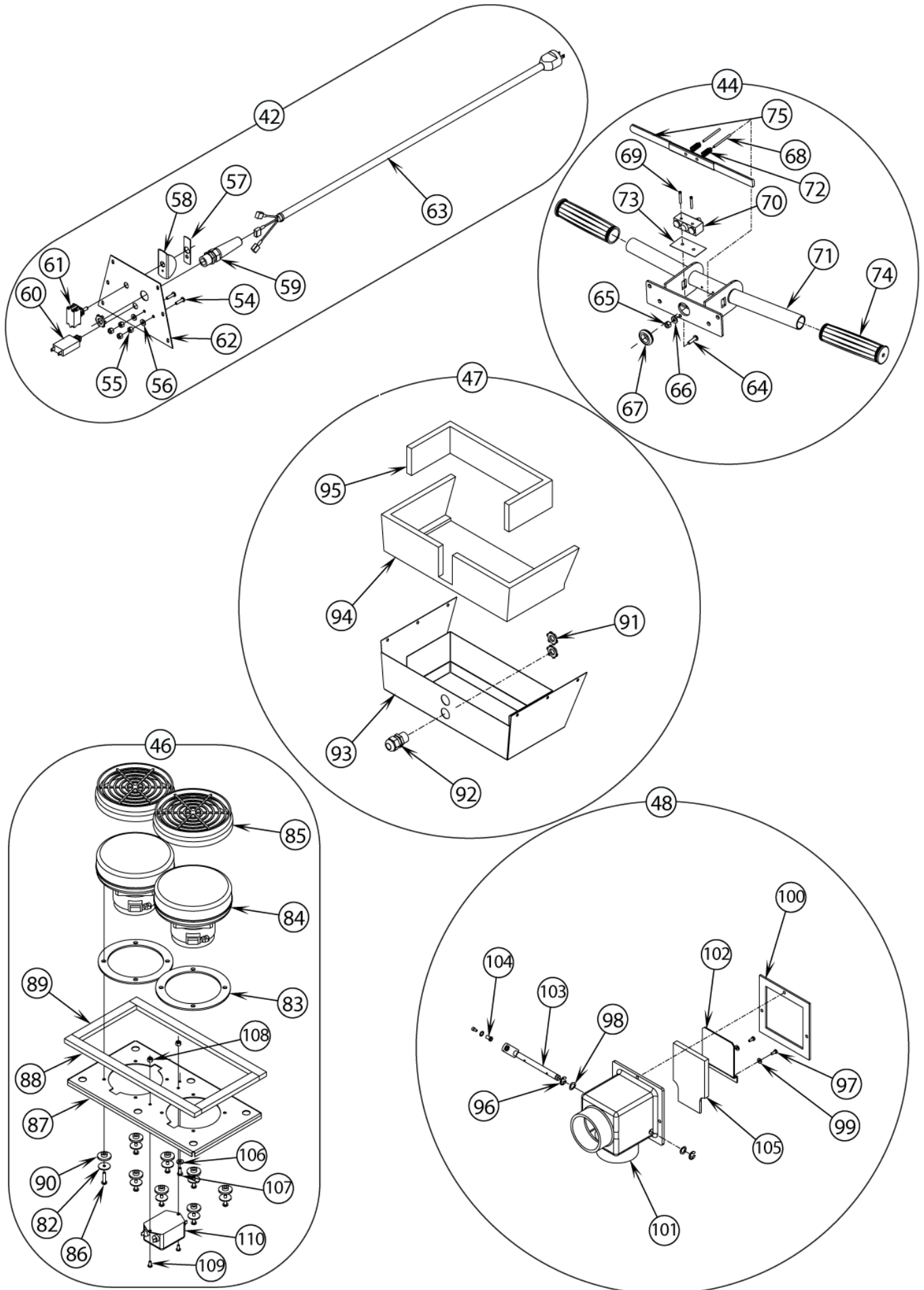
# Handle system 2 (BEFORE SN1876507)

GU 700A

27-03-2015

Part List ID  
GU700A11

13



# Handle system 2 (BEFORE SN1876507)

GU 700A

27-03-2015

Part List ID  
GU700A11

14

Pos	Part no.	Qty	Description	
42	56330902	1	ELECTRICAL ASSY.	Pos. 54-63 - 240V
42	56330932	1	ELECTRICAL ASSY.	Pos. 54-63 - 100V
42	56330941	1	ELECTRICAL ASSY.	Pos. 54-63 - 240V / Arg
44	56330005	1	HANDLE ASSY.	Pos. 64-75
46	56330903	1	VACUUM MOTOR ASSY.	Pos. 82-90, 106-110 - 240V
46	56330937	1	VACUUM MOTOR ASSY 100V	Pos. 82-90, 106-109 - 100V
47	56330008	1	MUFFLER ASSY.	Pos. 91-95
48		1	NOTE COMMENT	BUTTERFLY ASSY. Pos. 96-105
54	56002192	2	SCR PAN PHIL 10-24 X .75	
55	56002832	4	NUT HEX NYL LOC-THIN 10-24	
56	56009011	2	WSH INT SHPRF 10	
57	56014016	1	DECAL ON/OFF	100V / 240V
58	56200352	1	GUARD SWITCH HP6A	100V / 240V
59	56009095	1	NUT CONDUIT LOCK 1/2 14	Not shown
59	56323136	1	STRAIN RELIEF	
60	56387316	1	CIRCUIT BREAKER 10A	
61	56301636	1	SWITCH TOGGLE	100V / 240V
62	56643059	1	COVER ACCESS	
63	56330030	1	POWER CORD ARGENTINA	240V / Arg
63	56330042	1	CORD SET 2.00 X 3 BLK	100V - Not shown
63	56330907	1	POWER CORD 1.50 X 3 BLK SHUKO	240V
64	56002192	1	SCR PAN PHIL 10-24 X .75	
65	56002832	1	NUT HEX NYL LOC-THIN 10-24	
66	56009011	1	WSH INT SHPRF 10	
67	56497610	1	GROMMET E00059	
68	56003502	2	PIN SPR .12 X 1.75	
69	56002857	2	SCR PAN PHIL 6-32 X .88	
70	56026412	1	SWITCH PUSH 25AMP	
71	56034663	1	WELDMENT HANDLE	
72	56046648	2	SPRING COMP. E00453	
73	56046653	1	INSUL PAPER	
74	56381707	2	HANDLE GRIP	
75	56050274	1	TRIGGER	
77	56055050	1	LATCH TWIST MACHINED	
78	56055051	1	GASKET FOAM	
79	56055052	1	GASKET FOAM	
80	56055053	2	GASKET FOAM	
81	56639110	1	DOOR WELDMENT	
82	56009096	8	WSH FLT .193X.875X.060	
83	56209325	2	GASKET HL405	
84	56009030	2	SCR PAN PHIL THD FOM 10-24X.38	100V - Not shown
84	56220065	2	BRUSH SET	Not shown
84	56300411	2	MOTOR 230V 50 CY HA542C	240V

# Handle system 2 (BEFORE SN1876507)

GU 700A

27-03-2015

Part List ID  
GU700A11

15

Pos	Part no.	Qty	Description	
84	56330389	2	VAC MOTOR ASSY.	100V
85	56383934	1	FILTER KIT-EXHAUST	Package of 2 - Optional
85	56384898	2	FILTER J01115WHI	
86	56009209	8	SCR PAN PHIL THDFORM10-24X1.00	
87	56055023	1	PLATE MOUNT VAC MOTORS	
88	56055041	2	GASKET FOAM	
89	56055042	2	GASKET FOAM	
90	56111384	8	BUSHING	
91	56009095	2	NUT CONDUIT LOCK 1/2 14	
92	56323135	2	STRAIN RELIEF E00220	
93	56034668	1	WELDMENT MUFFLER	
94	56055117	1	FOAM MUFFLER-COVER	
95	56055118	1	FOAM MUFFLER-DEFLECTOR	
96	56003269	2	RING RET EXT TYPE E REINF	
97	56009032	2	SCR HEX THD FORM 6 32X.38	
98	56009045	2	WSH BOWED .375X.578X.060	
99	56009056	2	WSH INT SHPRF 6	
100		1	NOTE COMMENT	GASKET
101		1	NOTE COMMENT	HOUSING ROUTED
102		1	NOTE COMMENT	PLATE
103	56331356	1	LEVER WELDMENT	
104	56442445	1	SWIVEL CV442L	
105	56331155	1	SEAL	
106	56009011	1	WSH INT SHPRF 10	3 on 100V
107	56009082	1	SCR PANPHILTHD FORMBLK10-24X.5	
108	56002877	2	NUT HEX NYL LOC SS 8-32	
109	56001818	2	SCR PAN PHIL 8 32 X .38	
110	56244138	4	RECEPTACLE TAB .250FC336B	
110	56330923	1	RFI FILTER	





# Handle system 1 (AFTER SN1876506)

GU 700A

27-03-2015

Part List ID  
GU700A13

17

Pos	Part no.	Qty	Description	
1	56171112	2	CORD HOOK ASSY	
2	56323135	2	STRAIN RELIEF E00220	
3	56331304	1	CLAMP HOSE E00557	
4	56352829	2	CLAMP HOSE SAE 52 E00047	
5	56003123	1	SCR SOC SET 10-24 X .38	
6	56001900	6	SCR FLT PHIL 10 24 X .75	
7	56001954	10	WSH FLT SAE 10	
8	56003112	6	SCR PAN PHIL PLASTITE 10-14X1	
9	56002124	9	SCREW10-24 X .62 PNH PH	
10	56002145	2	SCR PAN PHIL 1/4-20 X .50	
11	56002192	6	SCR PAN PHIL 10-24 X .75	
12	56002507	2	SCR PAN PHIL 1/4-20 X .75	
13	56002674	3	SCR PAN PHIL 10-24 X 1.00	
14	56002768	16	NUT HEX NYL LOC 10-24	
15	56002793	2	SCR PAN PHIL 5/16-18 X .75	
16	56002832	2	NUT HEX NYL LOC-THIN 10-24	
17	56003503	2	SCR PAN PHIL 10-24 X 2.25	
18	56003706	1	O RING SIZE 110 QUAD	
19	56009011	2	WSH INT SHPRF 10	
20	56009061	6	NUT ACORN S.S. 10 24	
21	56009095	2	NUT CONDUIT LOCK 1/2 14	
22	56009122	2	WSH FLT .344X.938X.125	
23	56009247	12	SCR PN PHIL PLASTITE 10-14X.38	
24	56009002	6	WASHER FLAT .266X.906X.060	
25	56009275	2	WSH NEOPRENE .25X1.375X.093T	
26	56034690	1	HOSE CONNECTOR	
27	56055054	1	GASKET FOAM	
28	56055081	1	HOSE	
29	56055084	1	GUARD BAG	
30	56055182	1	GASKET FOAM	
31	56055218	1	GASKET FOAM	
32	56111384	6	BUSHING	
33	56330005	1	HANDLE ASSY.	
34	56055050	1	LATCH TWIST MACHINED	
34	56055051	1	GASKET FOAM	
34	56055052	1	GASKET FOAM	
34	56055053	2	GASKET FOAM	
34	56330006	1	DOOR ASSY.	
34	56639110	1	DOOR WELDMENT	
35	56330903	1	VACUUM MOTOR ASSY.	
36	56330008	1	MUFFLER ASSY.	
37	56330690	1	BAG DISP.6PAK 28	package of 6 / optional
37	56382850	1	BAG COLLECTOR	for 56382850

# Handle system 1 (AFTER SN1876506)

GU 700A

27-03-2015

Part List ID  
GU700A13

18

Pos	Part no.	Qty	Description	
38	56330608	1	CLIP BAG	HC512E
39	56330821	1	LEVER	
40	56330822	1	GASKET BASE	
41	56330823	1	BASE LEVER MOUNT	
42	56330827	1	BRACKET SPRING MOUNT	
43	56330830	1	VACUUM DIVERTER ASSY	
44	56330835	1	TANK UPPER MACHINED	
45	56330902	1	ELECTRICAL ASSY.	
45	56382882	1	ELECTRICAL ASSEMBLY 60HZ	model 56330049 only
46	56331152	1	HOSE ASSY. VAC	
47	56331153	1	TUBE WAND	
48	56331154	1	CLAMP PLASTIC	
49	56385564	3	CLAMP CABLE .625 E00129	
50	56448112	1	SPRING EXTENSION	
51	56639107	1	WELDMENT SWITCHBOX COVER	
52	56380337	1	GUARD PANEL FOAM	TSBUS2009-1053

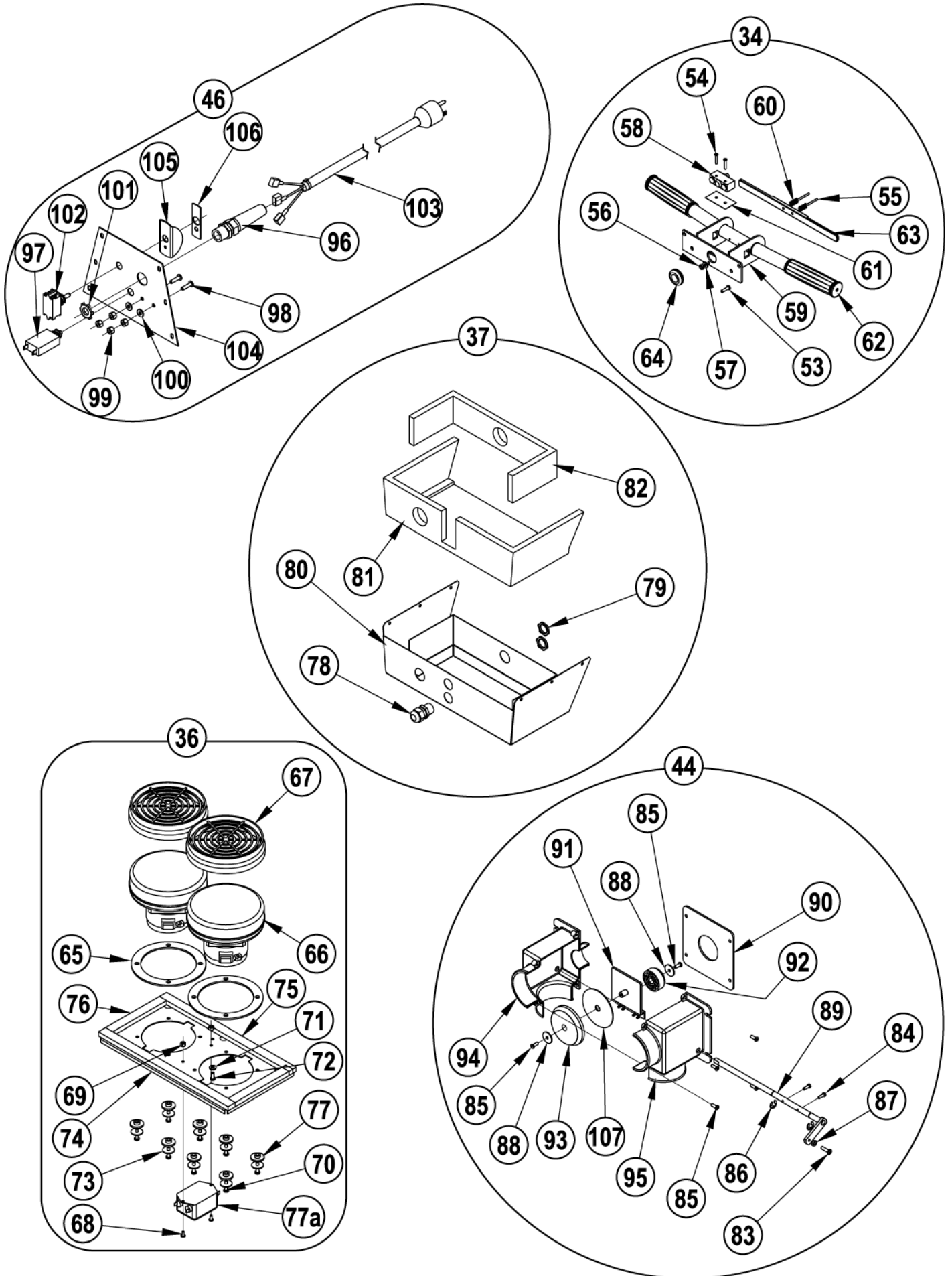
# Handle system 2 (AFTER SN1876506)

GU 700A

27-03-2015

Part List ID  
GU700A15

19



# Handle system 2 (AFTER SN1876506)

GU 700A

27-03-2015

Part List ID  
GU700A15

20

Pos	Part no.	Qty	Description	
34	56330005	1	HANDLE ASSY.	Pos. 53-64
36	56330903	1	VACUUM MOTOR ASSY.	Pos. 65-77A
37	56330008	1	MUFFLER ASSY.	Pos. 78-82
44	56330830	1	VACUUM DIVERTER ASSY	Pos. 83-95, 107
46	56330902	1	ELECTRICAL ASSY.	Pos. 96-106
46	56382882	1	ELECTRICAL ASSEMBLY 60HZ	60HZ (96-106 / model 56330049 only)
53	56002192	1	SCR PAN PHIL 10-24 X .75	
54	56002857	2	SCR PAN PHIL 6-32 X .88	
55	56003502	2	PIN SPR .12 X 1.75	
56	56002832	1	NUT HEX NYL LOC-THIN 10-24	
57	56009011	1	WSH INT SHPRF 10	
58	56026412	1	SWITCH PUSH 25AMP	
59	56034663	1	WELDMENT HANDLE	
60	56046648	2	SPRING COMP. E00453	
61	56046653	1	INSUL PAPER	
62	56381707	2	HANDLE GRIP	
63	56050274	1	TRIGGER	
64	56760212	1	GROMMET 1.000 E00059	
65	56209325	2	GASKET HL405	
66	56220065	2	BRUSH SET	56300411
66	56300411	2	MOTOR 230V 50 CY HA542C	240V
67	56383934	1	FILTER KIT-EXHAUST	Package of 2 - Optional
67	56384898	2	FILTER J01115WHI	
68	56001818	2	SCR PAN PHIL 8 32 X .38	
69	56002877	2	NUT HEX NYL LOC SS 8-32	
70	56009209	8	SCR PAN PHIL THDFORM10-24X1.00	
71	56009011	1	WSH INT SHPRF 10	
72	56009082	1	SCR PANPHILTHD FORMBLK10-24X.5	
73	56009096	8	WSH FLT .193X.875X.060	
74	56055023	1	PLATE MOUNT VAC MOTORS	
75	56055041	2	GASKET FOAM	
76	56055042	2	GASKET FOAM	
77	56111384	8	BUSHING	
78	56323135	1	STRAIN RELIEF E00220	
79	56009095	2	NUT CONDUIT LOCK 1/2 14	
80	56034668	1	WELDMENT MUFFLER	
81	56055117	1	FOAM MUFFLER-COVER	
82	56055118	1	FOAM MUFFLER-DEFLECTOR	
83	56002192	1	SCR PAN PHIL 10-24 X .75	
84	56002438	2	SCR HEX THD FORM 8-32 X .50	
85	56003093	6	SCR PAN PHIL PLAST 8-15 X .50	
86	56003269	2	RING RET EXT TYPE E REINF	
87	56002832	1	NUT HEX NYL LOC-THIN 10-24	

# Handle system 2 (AFTER SN1876506)

GU 700A

27-03-2015

Part List ID  
GU700A15

21

Pos	Part no.	Qty	Description
88	56009096	2	WSH FLT .193X.875X.060
89	56330824	1	SHAFT WELDMENT
90	56330828	1	GASKET HOUSING
91	56330829	1	PLATE DIVERTER
92	56330831	1	SEAL WAND VACUUM
93	56330832	1	SEAL BRUSH VACUUM
94	56330833	1	HOUSING LEFT HALF
95	56330834	1	HOUSING RIGHT HALF
96	56323136	1	STRAIN RELIEF
97	56387562	1	CIRCUIT BREAKER 4A
98	56002192	2	SCR PAN PHIL 10-24 X .75
99	56002832	4	NUT HEX NYL LOC-THIN 10-24
100	56009011	2	WSH INT SHPRF 10
101	56009095	1	NUT CONDUIT LOCK 1/2 14
102	56200336	1	SWITCH TOGGLE DPST HP6 (model 56330049 only)
102	56301636	1	SWITCH TOGGLE
103	362USP	1	PLUG UK (model 56330049 only)
103	56330907	1	POWER CORD 1.50 X 3 BLK SHUKO
104	56643059	1	COVER ACCESS
105	56200352	1	GUARD SWITCH HP6A
106	56014016	1	DECAL ON/OFF
77A	47700A	4	TERMINAL-FULLY INS PUSH-ON
77A	56330923	1	RFI FILTER

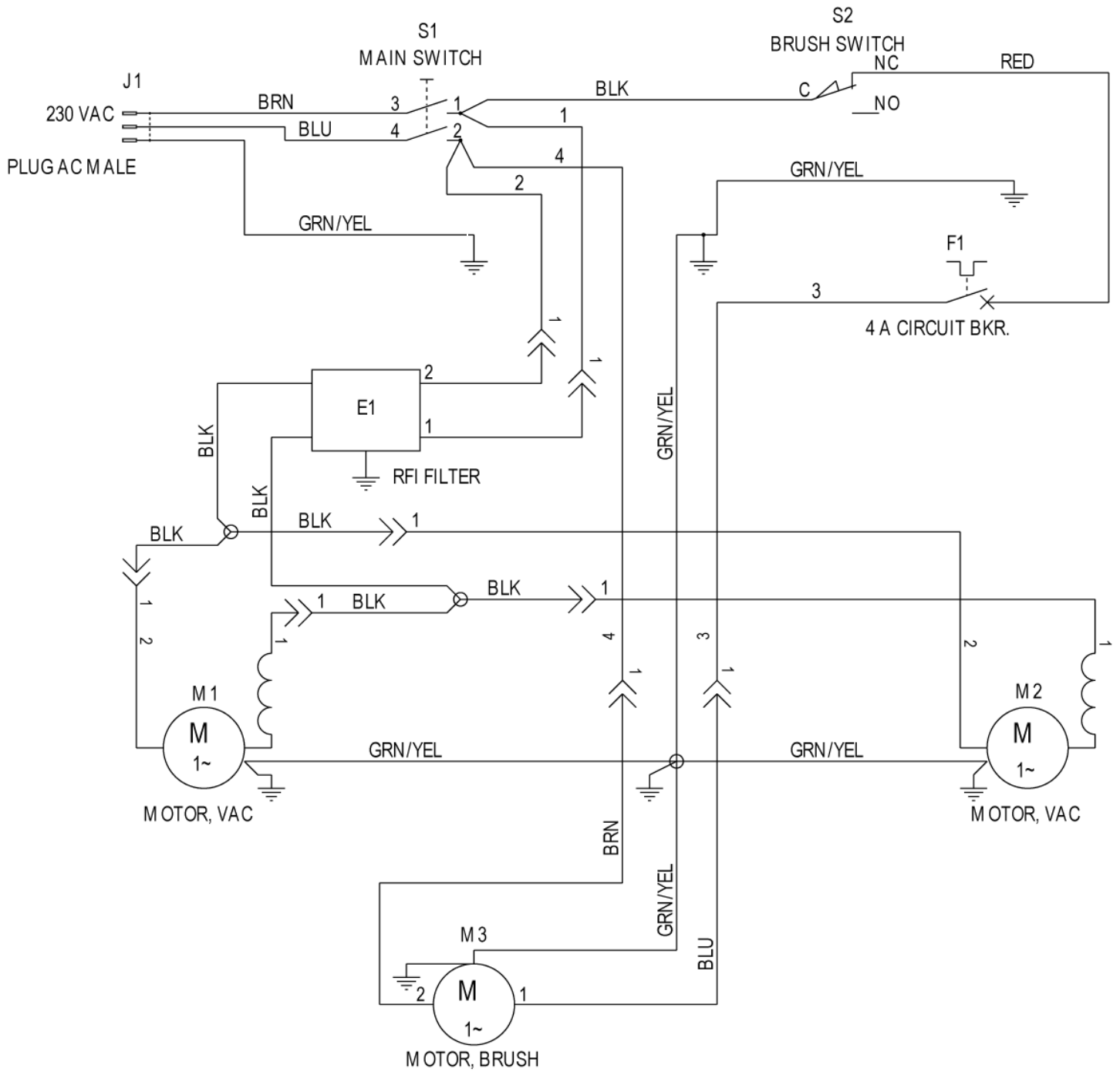
# Wiring diagram - 240V

GU 700A

27-03-2015

Part List ID  
GU700A17

22



# Wiring diagram - 240V

GU 700A

27-03-2015

Part List ID  
GU700A17

23

Pos	Part no.	Qty	Description	
E1	56330923	1	RFI FILTER	
F1	56387562	1	CIRCUIT BREAKER 4A	
J1	56330030	1	POWER CORD ARGENTINA	240V / Arg
J1	56330907	1	POWER CORD 1.50 X 3 BLK SHUKO	240V
M1	56220065	2	BRUSH SET	Not shown
M1	56300411	1	MOTOR 230V 50 CY HA542C	
M2	56220065	2	BRUSH SET	Not shown
M2	56300411	1	MOTOR 230V 50 CY HA542C	
M3	56330013	1	MOTOR 1/3 HP 120V.	60hz
M3	56330908	1	MOTOR 1/3 HP 230V	
S1	56200336	1	SWITCH TOGGLE DPST HP6	(model 56330049 only)
S1	56301636	1	SWITCH TOGGLE	
S2	56026412	1	SWITCH PUSH 25AMP	

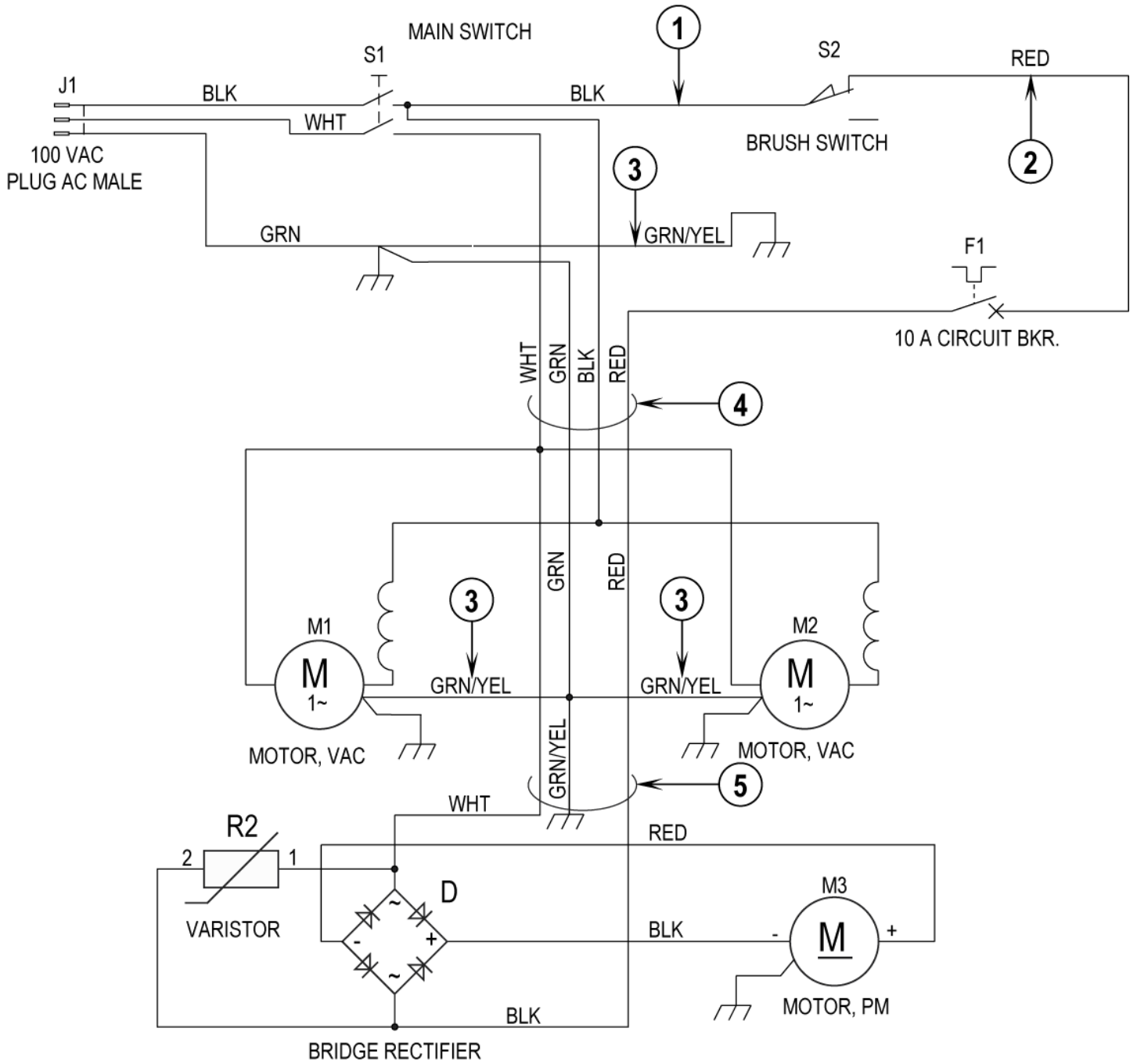
# Wiring diagram - 100V

GU 700A

27-03-2015

Part List ID  
GU700A19

24





# Wiring diagram - 100V

GU 700A

27-03-2015

Part List ID  
GU700A19

25

Pos	Part no.	Qty	Description	
1	56330911	1	WIRE RING/RING	
2	56025648	1	WIRE ASSY. E00206	
3	56250150	3	WIRE ASSY 14X8 G/Y E00215	
4	56330043	1	CORD ASSY. 14-4	
5	56025903	1	CORD ASSEMBLY	100V, 120V
5	56163228	3	WIRE NUT CLOSED END SPLICE I	Not shown
F1	56387316	1	CIRCUIT BREAKER 10A	
J1	56330042	1	CORD SET 2.00 X 3 BLK	
M1	56220065	2	BRUSH SET	Set for 56330389 - Not shown
M1	56330389	1	VAC MOTOR ASSY.	
M2	56220065	2	BRUSH SET	Set for 56330389 - Not shown
M2	56330389	1	VAC MOTOR ASSY.	
M3	56330928	2	BRUSH CARBON 2 REQD	Set for 56330926 - Not shown
M3	56330929	2	BRUSH SPRING 2 REQD	Spring for 56330926 - Not shown
M3	56330930	2	BRUSH COVER 2 REQD	Cover for 56330926 - Not shown
M3		1	NOTE COMMENT	Brush motor, 1/3hp
R2	56387554	1	VARISTOR ASSY.230V	
S1	56301636	1	SWITCH TOGGLE	
S2	56026412	1	SWITCH PUSH 25AMP	

# 56323296 - Vacuum Tool Kit

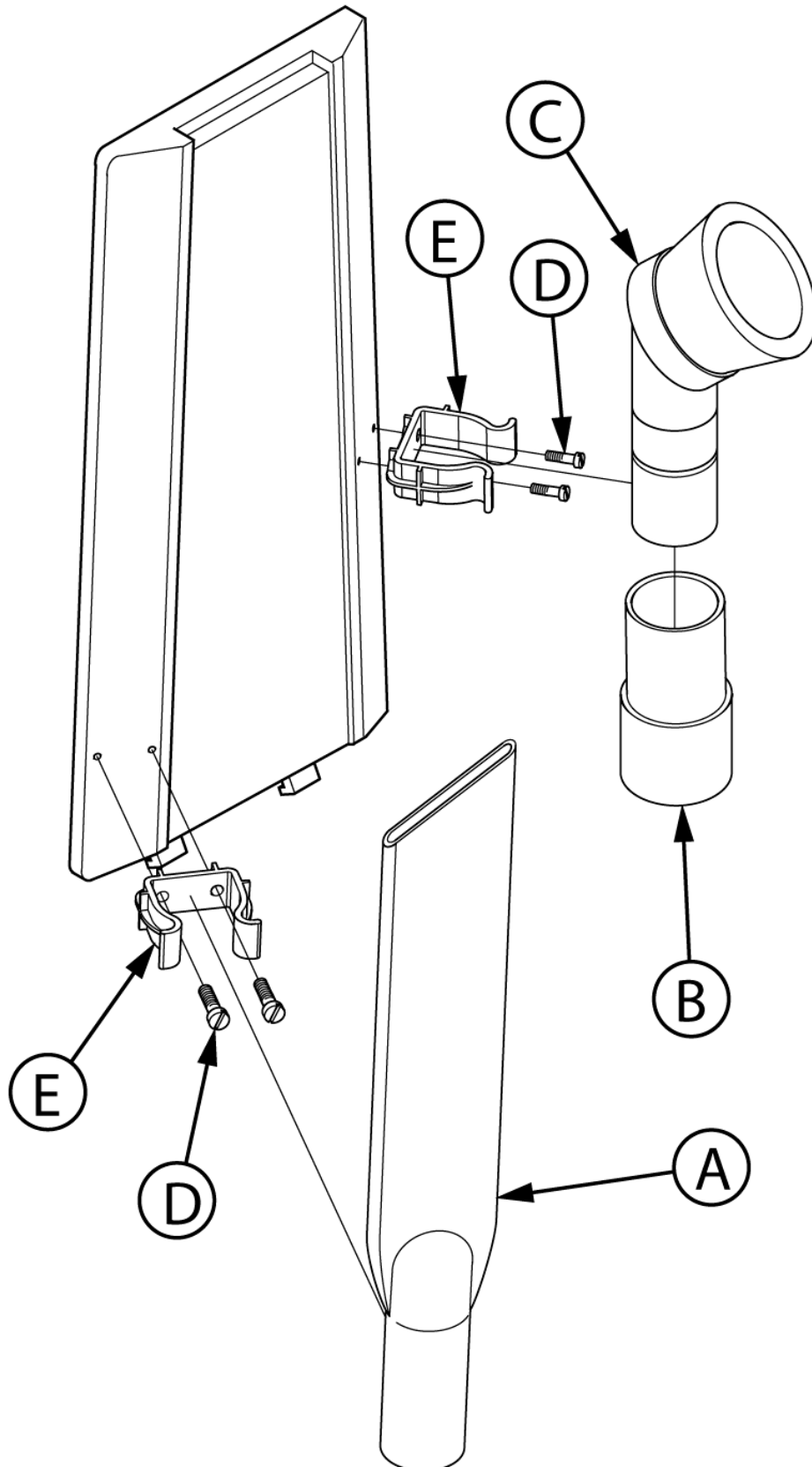
GU 700A

27-03-2015

Part List ID  
IS56040626FIG2

26

FIGURE 2



# 56323296 - Vacuum Tool Kit

GU 700A

27-03-2015

Part List ID  
IS56040626F-IGZ

27

Pos	Part no.	Qty	Description
-	56323296	1	TOOL KIT CARPETWIN 16XP
A	56701089	1	CREVICE TOOL
B	56323214	1	ADAPTER TOOL
C	56100377	1	TOOL DUSTING
E	56392171	2	CLAMP PLASTIC
F	56001993	4	SCREW 10-24 X 0.5 ZINC PL
G	56002832	4	NUT HEX NYL LOC-THIN 10-24

# 56323296 - Vacuum Tool Kit

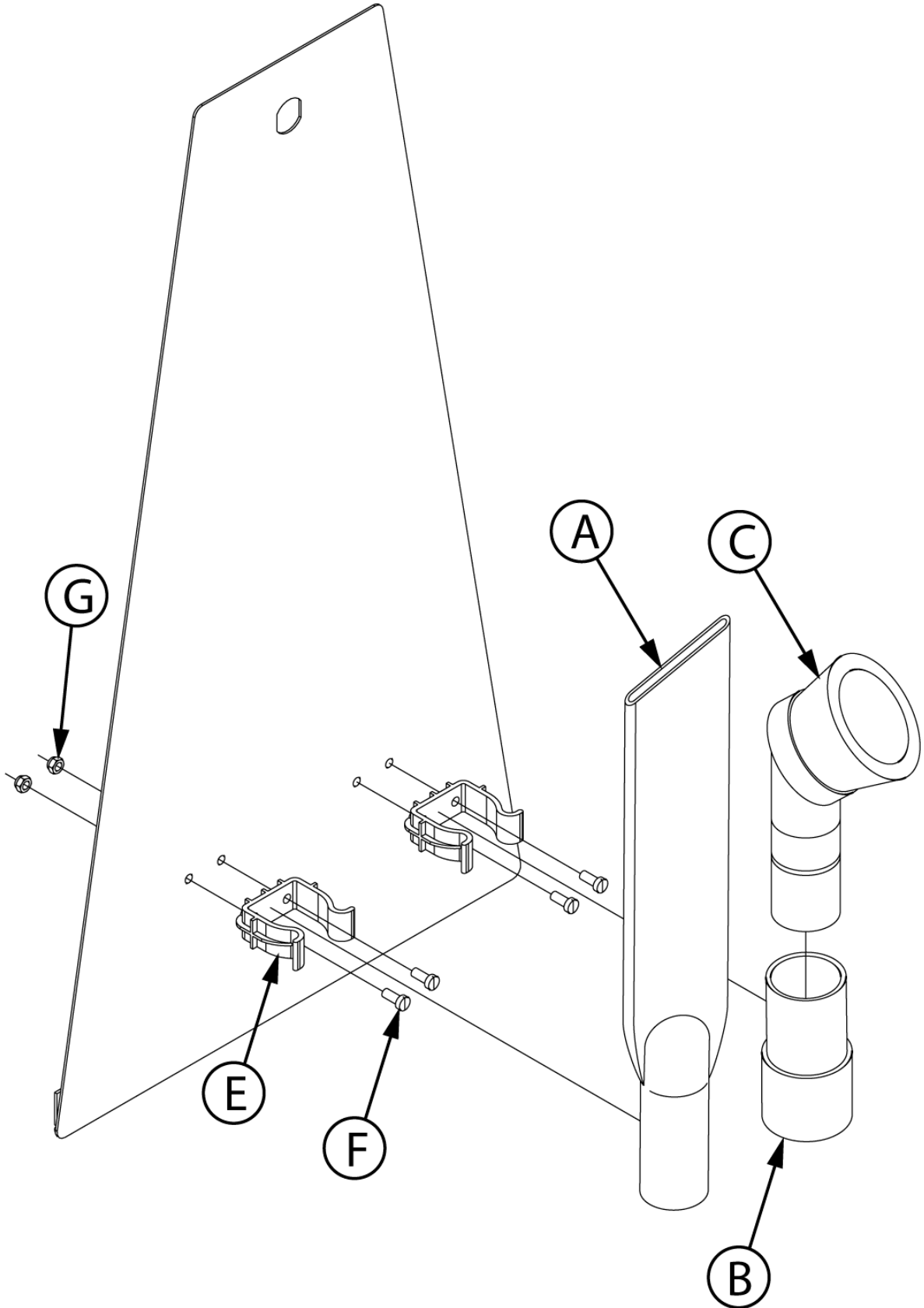
GU 700A

27-03-2015

Part List ID  
IS56040626FIG4

28

FIGURE 4



# 56323296 - Vacuum Tool Kit

GU 700A

27-03-2015

Part List ID  
IS56040626F-IG4

29

Pos	Part no.	Qty	Description
A	56701089	1	CREVICE TOOL
B	56323214	1	ADAPTER TOOL
C	56100377	1	TOOL DUSTING
E	56392171	2	CLAMP PLASTIC
F	56001993	4	SCREW 10-24 X 0.5 ZINC PL
G	56002832	4	NUT HEX NYL LOC-THIN 10-24

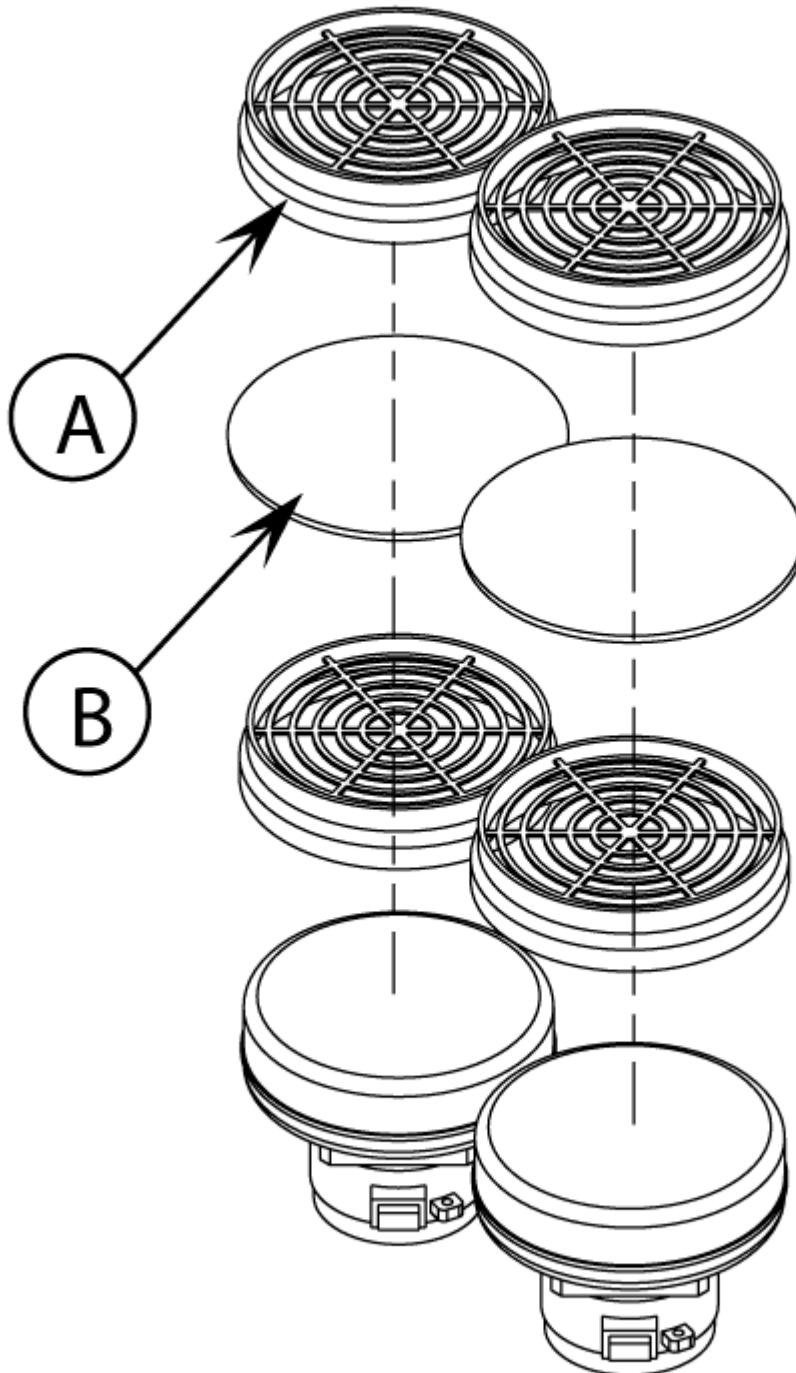
# 56330920 - Microstat Filter Kit

GU 700A

27-03-2015

Part List ID  
IS56040706

30



# 56330920 - Microstat Filter Kit

GU 700A

27-03-2015

Part List ID  
IS56040706

31

Pos	Part no.	Qty	Description
A	56384898	2	FILTER J01115WHI
B	56330922	1	FILTER MICRO 2 PAK 7.00 DIA PKG OF 2