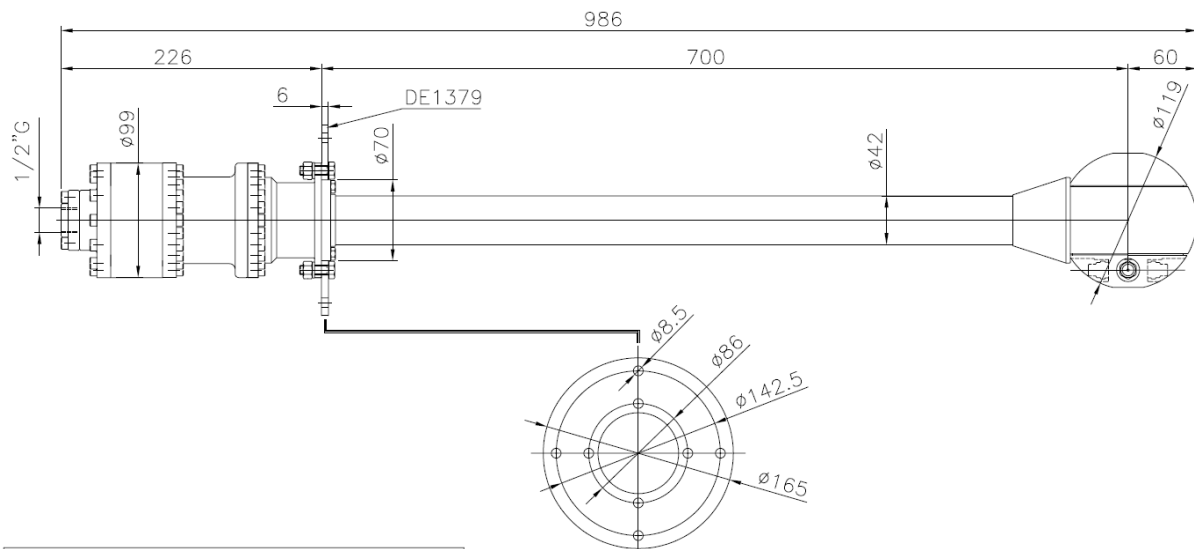


Tankinnenreiniger 500-60 R Artikelnummer: 60.301.006



TECHNICAL DATA	
temperature max	90°C
pressure max	500 bar
flow	15-60 l/min
spinning speed	16 rpm
washing cycle time	6 min
min. pass-through hole dia.	120 mm
water inlet	1/2" G
inlet filter	700 micron
material	INOX
seals	NBR
nozzle size	1/4" NPT
nozzles positions	2 - 4
weight	10.5 Kg