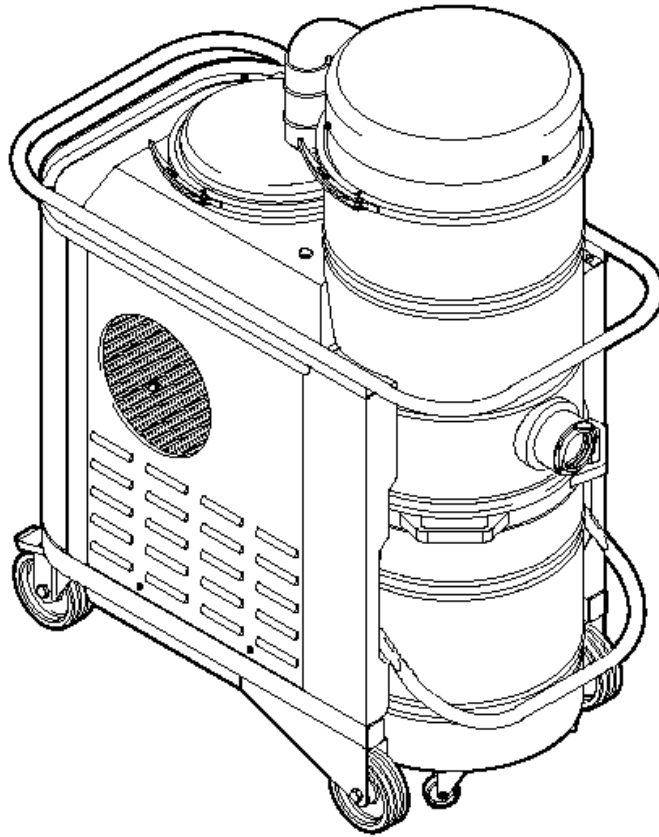


# IV 055

Model:  
IV 055



Part List US-English

22-02-2015

# Table of Contents

IV 055

<b>Standard version - electric box</b>	<b>3</b>
<b>Standard version - wiring diagram 1</b>	<b>5</b>
<b>Standard version - wiring diagram 2</b>	<b>7</b>
<b>Standard version - wiring diagram 3</b>	<b>9</b>
<b>Standard version 440V</b>	<b>11</b>
<b>Trolley</b>	<b>13</b>
<b>Safety/Absolute filter container</b>	<b>15</b>
<b>Container</b>	<b>17</b>
<b>Filters and Top container</b>	<b>19</b>
<b>Standard version 440V - wiring diagram 1</b>	<b>21</b>
<b>Standard version 440V - wiring diagram 2</b>	<b>23</b>
<b>Standard version 440V - wiring diagram 3</b>	<b>25</b>
<b>Filter shaker version - electric box</b>	<b>27</b>
<b>Filter shaker version - wiring diagram 1</b>	<b>29</b>
<b>Filter shaker version - wiring diagram 2</b>	<b>31</b>
<b>208V version - electric box</b>	<b>33</b>
<b>208V version - wiring diagram 1</b>	<b>35</b>
<b>208V version - wiring diagram 2</b>	<b>37</b>
<b>Vacuum Pump system</b>	<b>39</b>
<b>Standard Electrical components</b>	<b>41</b>
<b>Electrical filter shaker</b>	<b>43</b>
<b>Safe bag system</b>	<b>45</b>
<b>Plastic bag system</b>	<b>47</b>
<b>S.S.Container</b>	<b>49</b>
<b>Asbestos</b>	<b>51</b>
<b>Class M.</b>	<b>53</b>
<b>Class H.</b>	<b>55</b>
<b>Cartridge complete</b>	<b>57</b>
<b>HEPA Filter</b>	<b>59</b>
<b>SAFETY Filter</b>	<b>61</b>

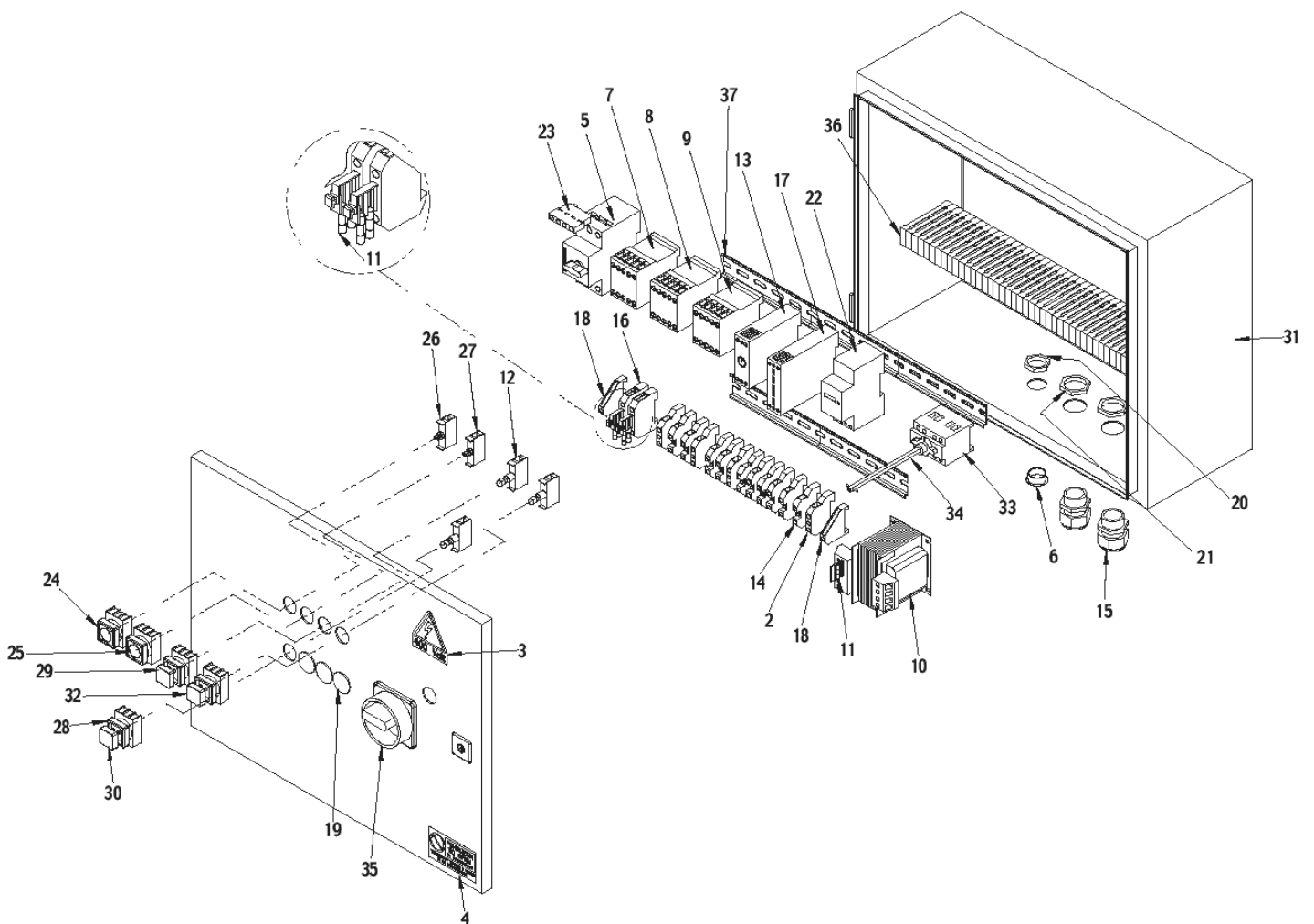
# Standard version - electric box

IV 055

22-02-2015

Part List ID  
G20623

3



# Standard version - electric box

IV 055

22-02-2015

Part List ID

GZ06Z3

4

Pos	Part no.	Qty	Description
2	Z8 39121	4	TERMINAL EARTH 6MMQ S
3	32401167	1	DECAL. VOLTAGE PRESENCE DECAL. VOLTAGE
4	Z8 17689	1	LABEL FORBIDDEN TO OPEN 82X42
5	Z8 39014	1	CIRCUIT BREAKER 11-16 A SIRIUS S0
7	Z8 391005	1	CONTACTOR KW5.5 24VAC 1NO SIRIUS S00
8	Z8 391006	1	CONTACTOR KW3 24VAC 1NC SIRIUS S00
9	Z8 391008	1	CONTACTOR KW5.5 24VAC 1NC SIRIUS S00
10	Z8 391051	1	TRANSFORMER 63VA 400-230/24V FUSE AT SEC
11	32401193	5	GLASS FUSE 3.15 A GLASS FUSE 3.15 A
12	Z8 39114	3	LAMP BA9 V24
13	Z8 39119	1	TIMER S/T 0-60 SEC. 24-110-230V
14	Z8 39120	10	TERMINAL LINE 6MMQ S
15	Z8 39205	2	CABLE GLAND PG21 PA
16	Z8 39244	2	TERMINAL FUSEHOLDER 1.5mmq S 5X20
17	Z8 391120	1	RELAY PHASE SEQUENCE 180-600V
18	Z8 39296	2	TERMINAL STOP x GUIDE 35mm S
19	Z8 39522	3	PLUG BLIND CONTROL PLATE D22
20	Z8 39568	1	METAL RING NUT PG16
21	Z8 39569	2	METAL RING NUT PG21
22	Z8 39693	1	HOURS COUNTER TO GUIDE 24VAC
23	Z8 39726	1	AUX CONTACT CIRCUIT BREAKER SIRIUS S2-S3
24	32401221	1	PULSE. START PULSE. START
25	32401222	1	PULSE. STOP PULSE. STOP
26	32401224	1	CONTACT
27	32401225	1	CONTACT. NC CONTACT. NC
28	32401226	3	LAMP HOLDER P.C. LAMP HOLDER P.C.
29	32401227	1	LAMP. WHITE V24 P.C. LAMP. WHITE V24
30	32401228	1	LAMP. YELLOW V24 P.C. LAMP. YELLOW V24
31	32401232	1	STEEL BOX 400X500X200 + STEEL BOX
32	32401233	1	LAMP. RED V24 P.C. LAMP. RED V24 P.C.
33	32401238	1	SAFETY BOX LOCK SAFETY BOX LOCK
34	Z58 39450	1	MAIN SWITCH 3X32A ILM
35	Z58 39450	1	MAIN SWITCH 3X32A ILM
36	32401241	1	RACEWAY 25x80 RACEWAY 25x80
37	32401243	5	GUIDE. OMEGA GUIDE. OMEGA

# Standard version - wiring diagram 1

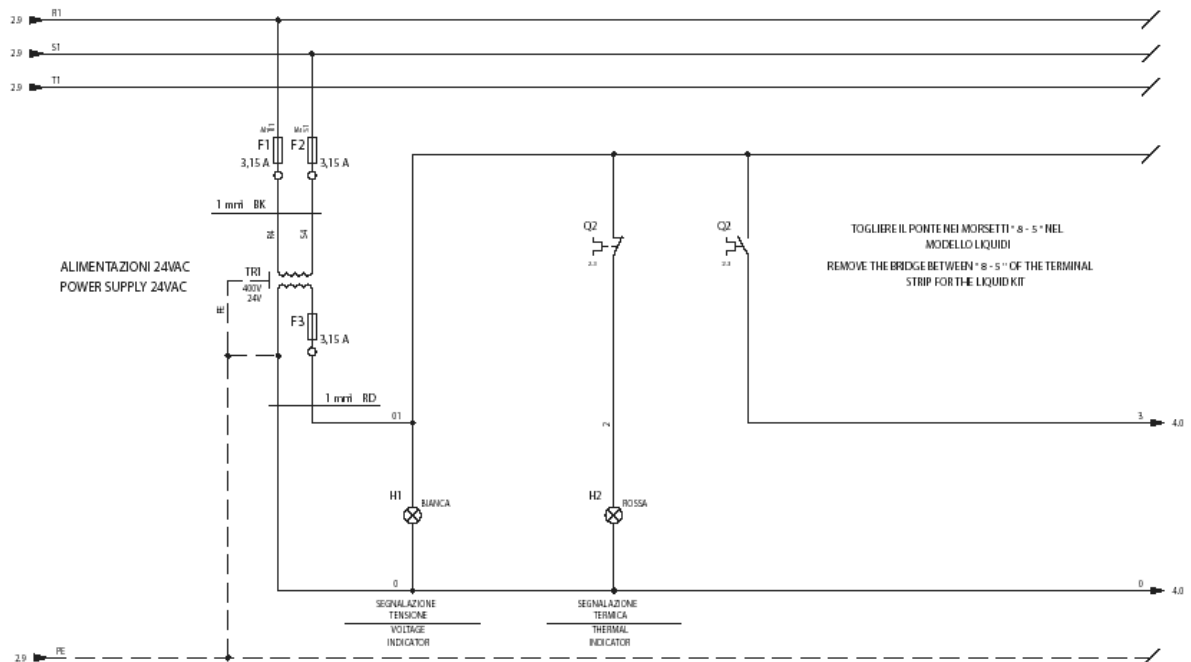
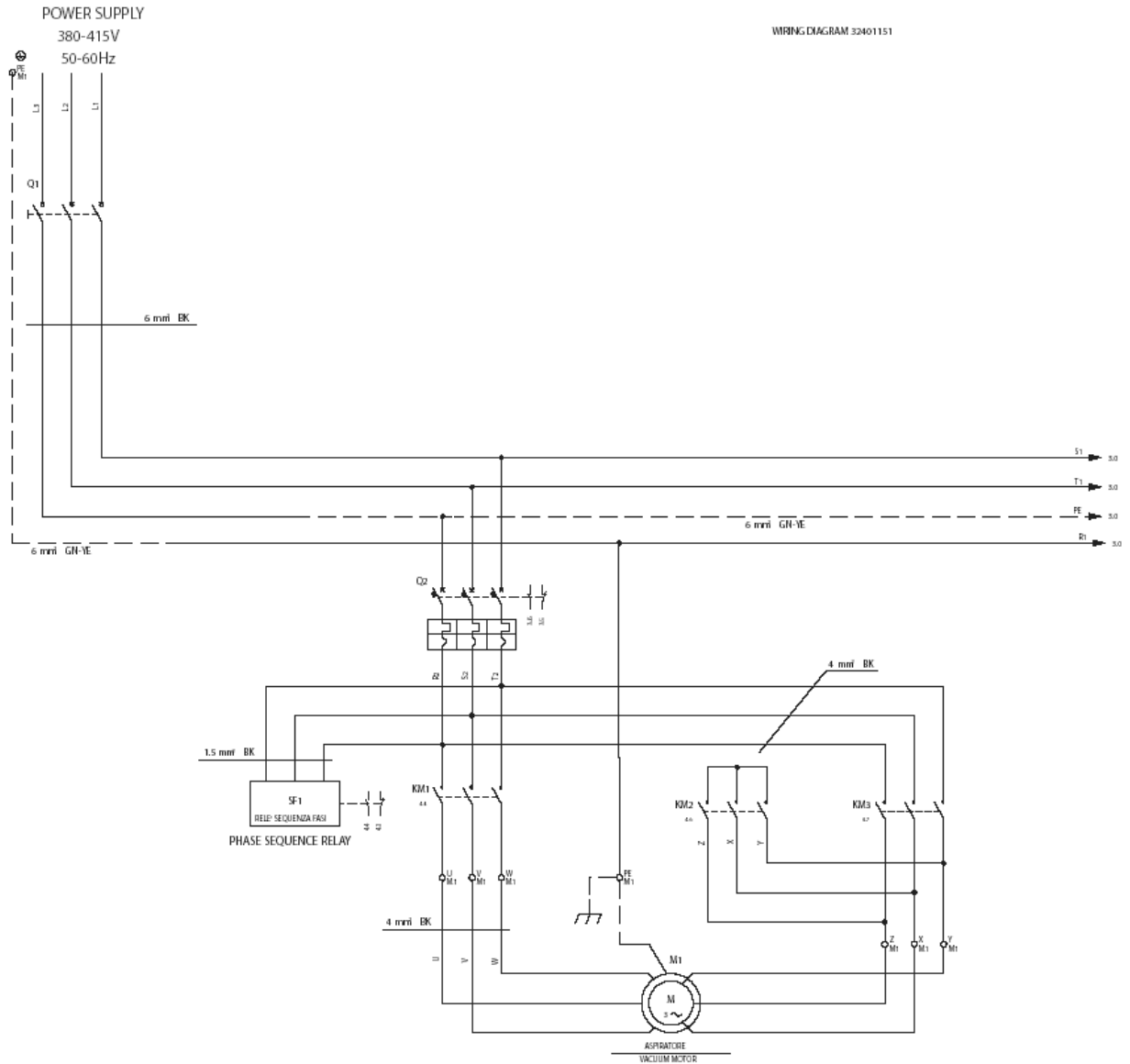
IV 055

22-02-2015

Part List ID  
G20624

5

WIRING DIAGRAM 32401151



ALIMENTAZIONE

# Standard version - wiring diagram 1

IV 055

22-02-2015

Part List ID  
GZU624

6

# Standard version - wiring diagram 2

IV 055

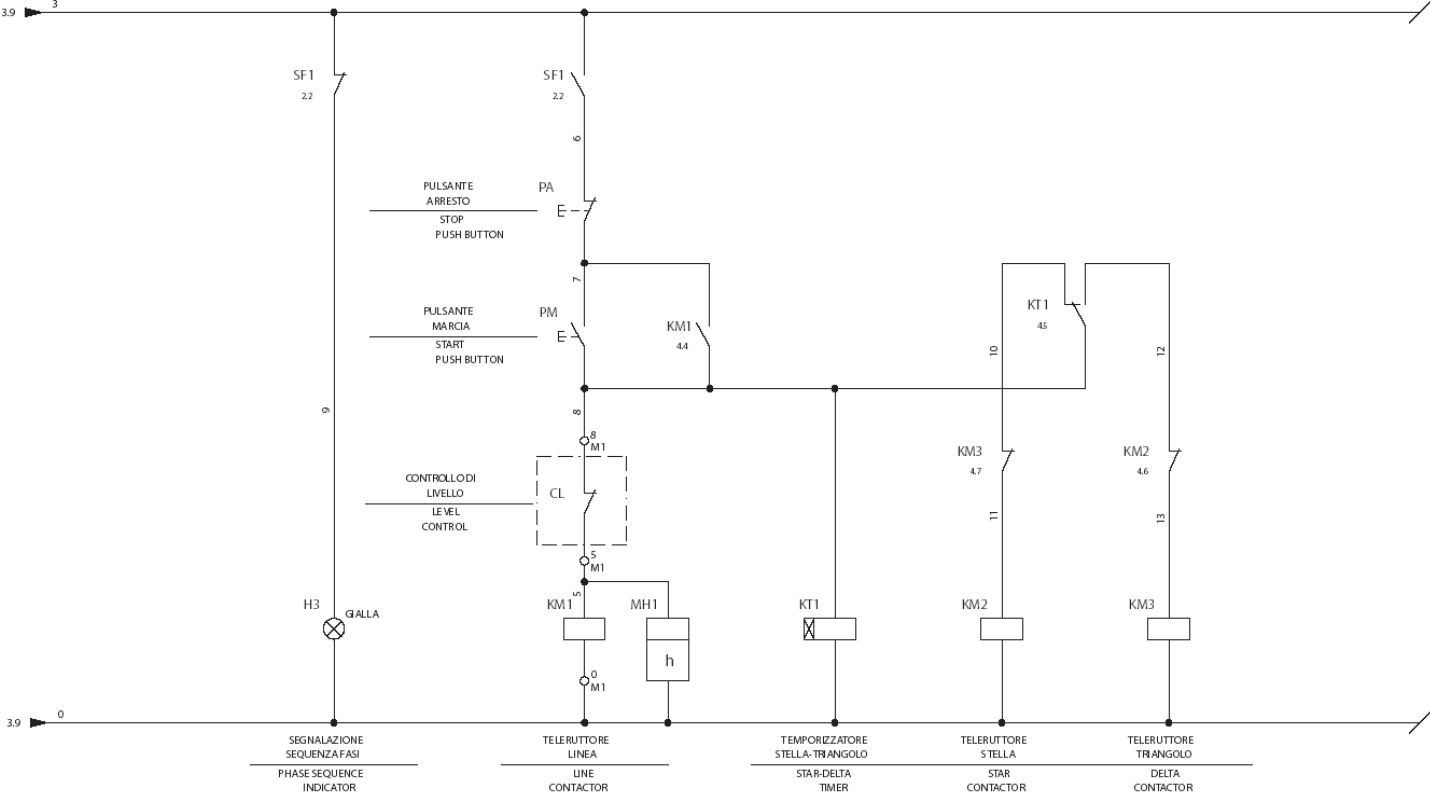
22-02-2015

Part List ID  
G20625

7

WIRING DIAGRAM 22402151

DOVE NON E' SPECIFICATO CABLARE CON FILO ROSSO 1mmq - WHERE NOT SPECIFIED USE RED CABLE 1 SQ MM



# Standard version - wiring diagram 2

IV 055

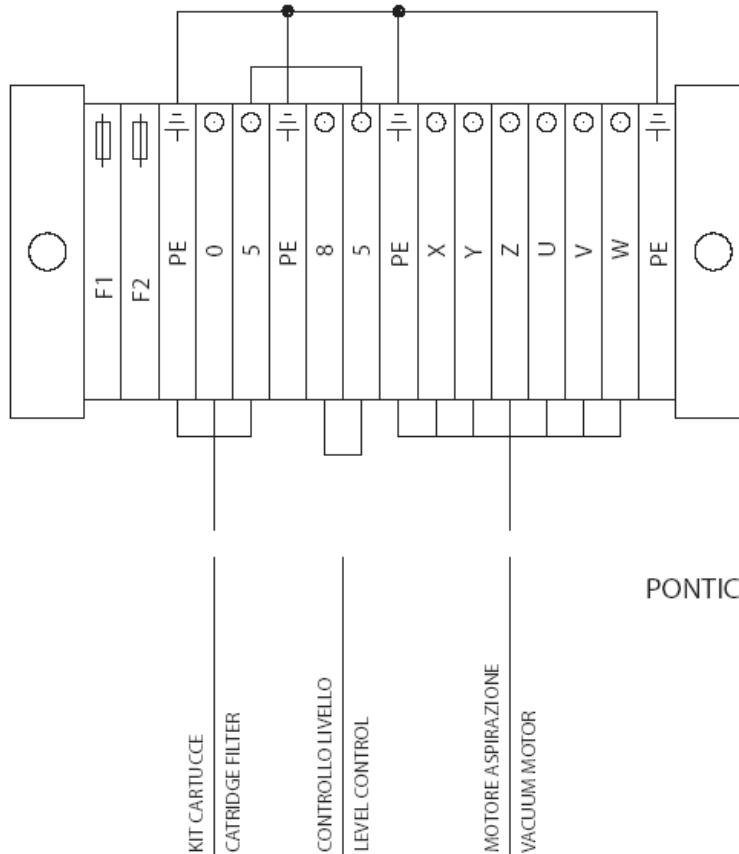
22-02-2015

Part List ID  
GZU625

8



## QUADRO QG - MORSETTIERA M1



PONTICELLARE I MORSETTI " 8 - 5 " IN  
FASE DI CABLAGGIO

N me/Item	Descrizi ne/Descripti n	Descrizi ne/Descripti n
H1	SPIA BIANCA	WHITE LAMP
H2	SPIA ROSSA	RED LAMP
H3	SPIA GIALLA	YELLOW LAMP
PA	PULSANTE	PUSH BUTTON
PM	PULSANTE	PUSH BUTTON
KM1	TELERUTTORE HP 5,5 24VAC 1NO	CONTACTOR HP 5,5 24VAC 1NO
KM2	TELERUTTORE HP 3 24VAC 1NC	CONTACTOR HP 3 24VAC 1NC
KM3	TELERUTTORE HP 5,5 24VAC 1NC	CONTACTOR HP 5,5 24VAC 1NC
Q2	SALVAMOTORE 11-16 A SALVAMOTORE 14-20 A SALVAMOTORE 23-32 A SALVAMOTORE 17-22 A	AUTOMATIC BREAKER 11-16 A AUTOMATIC BREAKER 14-20 A AUTOMATIC BREAKER 23-32 A AUTOMATIC BREAKER 17-22 A
KT1	CONTAORE A GUIDA	COUNTER HOURS
SF1	RELE' SEQUENZA FASI 400V	PHASE SEQUENCE RELAY 400V
TR1	TRASFORMATORE 63VA 400/24V	TRANSFORMER 63VA 400/24V
M1	MORSETTO TERRA 6mmq 5 MORSETTO LINEA 6mmq 5	GROUND TERMINAL 6mmq 5 LINE TERMINAL 6mmq 5
MH1	MORSETTO PORTAFUSIBILE 1,5mmq 5	FUSE HOLDER TERMINAL 1,5mmq 5

# Standard version - wiring diagram 3

IV 055

22-02-2015

Part List ID  
GZ0626

10

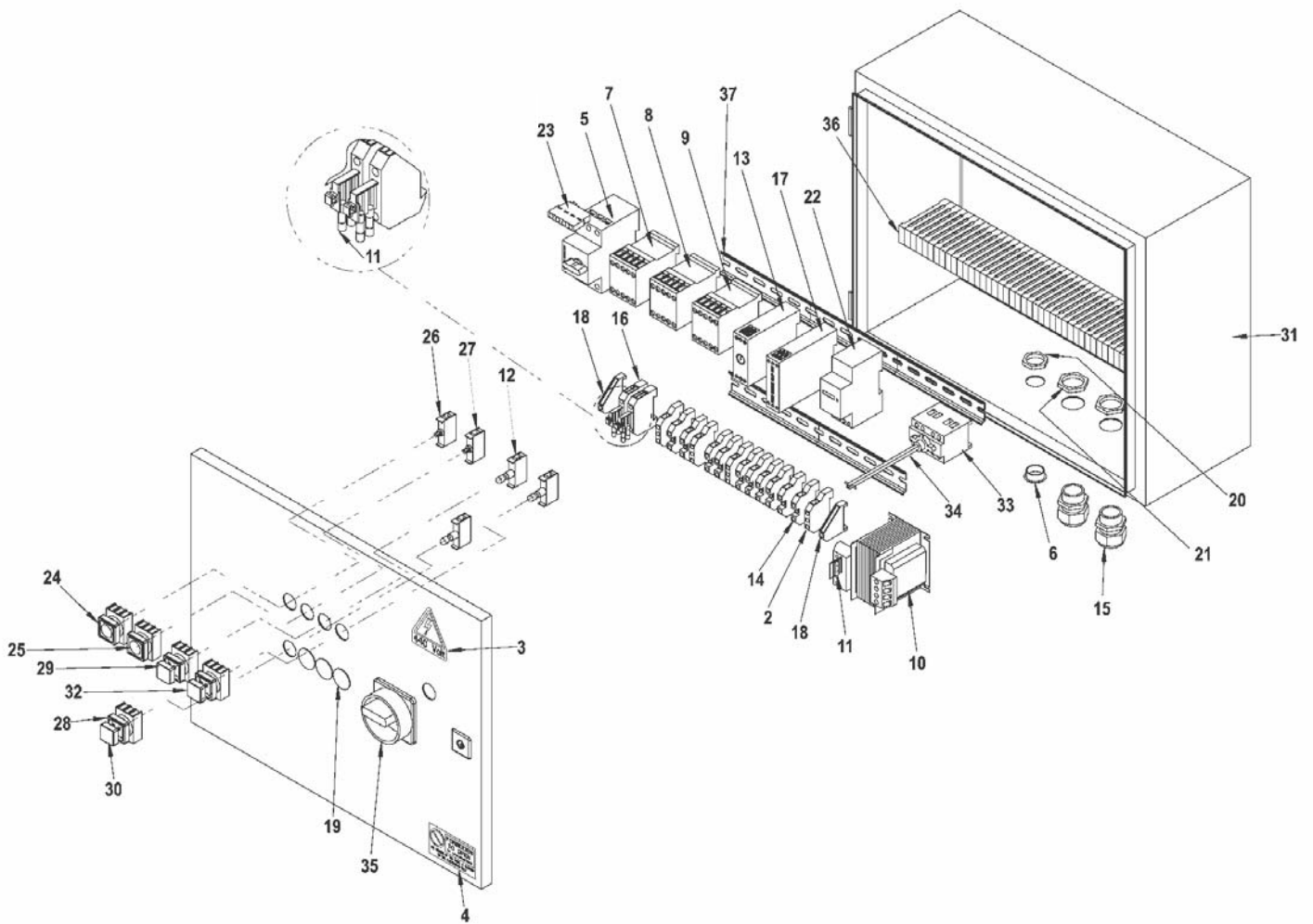
# Standard version 440V

IV 055

22-02-2015

Part List ID  
G20629

11



# Standard version 440V

IV 055

22-02-2015

Part List ID

GZ0629

12

Pos	Part no.	Qty	Description
2	Z8 39121	4	TERMINAL EARTH 6MMQ S
4	Z8 17689	1	LABEL FORBIDDEN TO OPEN 82X42
5	Z8 39014	1	CIRCUIT BREAKER 11-16 A SIRIUS S0
7	Z8 391005	1	CONTACTOR KW5.5 24VAC 1NO SIRIUS S00
8	Z8 391006	1	CONTACTOR KW3 24VAC 1NC SIRIUS S00
9	Z8 391008	1	CONTACTOR KW5.5 24VAC 1NC SIRIUS S00
11	32401193	5	GLASS FUSE 3.15 A GLASS FUSE 3.15 A
12	Z8 39114	3	LAMP BA9 V24
13	Z8 39119	1	TIMER S/T 0-60 SEC. 24-110-230V
14	Z8 39120	10	TERMINAL LINE 6MMQ S
15	Z8 39205	2	CABLE GLAND PG21 PA
16	Z8 39244	2	TERMINAL FUSEHOLDER 1.5mmq S 5X20
18	Z8 39296	2	TERMINAL STOP x GUIDE 35mm S
19	Z8 39522	3	PLUG BLIND CONTROL PLATE D22
20	Z8 39568	1	METAL RING NUT PG16
21	Z8 39569	2	METAL RING NUT PG21
22	Z8 39693	1	HOURS COUNTER TO GUIDE 24VAC
23	Z8 39726	1	AUX CONTACT CIRCUIT BREAKER SIRIUS S2-S3
24	32401221	1	PULSE. START PULSE. START
25	32401222	1	PULSE. STOP PULSE. STOP
26	32401224	1	CONTACT
27	32401225	1	CONTACT. NC CONTACT. NC
28	32401226	3	LAMP HOLDER P.C. LAMP HOLDER P.C.
29	32401227	1	LAMP. WHITE V24 P.C. LAMP. WHITE V24
30	32401228	1	LAMP. YELLOW V24 P.C. LAMP. YELLOW V24
31	32401232	1	STEEL BOX 400X500X200 + STEEL BOX
32	32401233	1	LAMP. RED V24 P.C. LAMP. RED V24 P.C.
33	32401238	1	SAFETY BOX LOCK SAFETY BOX LOCK
34	Z58 39450	1	MAIN SWITCH 3X32A ILM
35	Z58 39450	1	MAIN SWITCH 3X32A ILM
36	32401241	1	RACEWAY 25x80 RACEWAY 25x80
37	32401243	5	GUIDE. OMEGA GUIDE. OMEGA

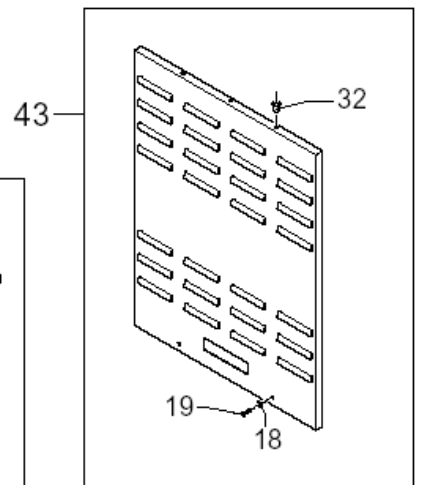
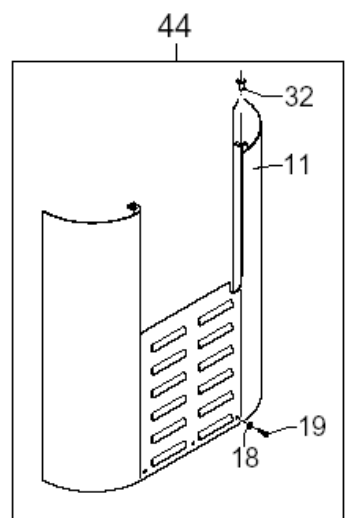
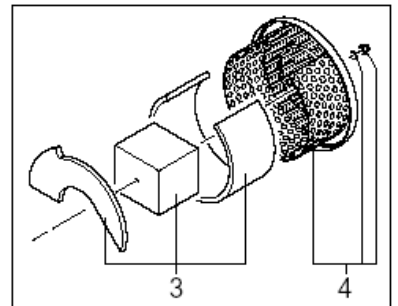
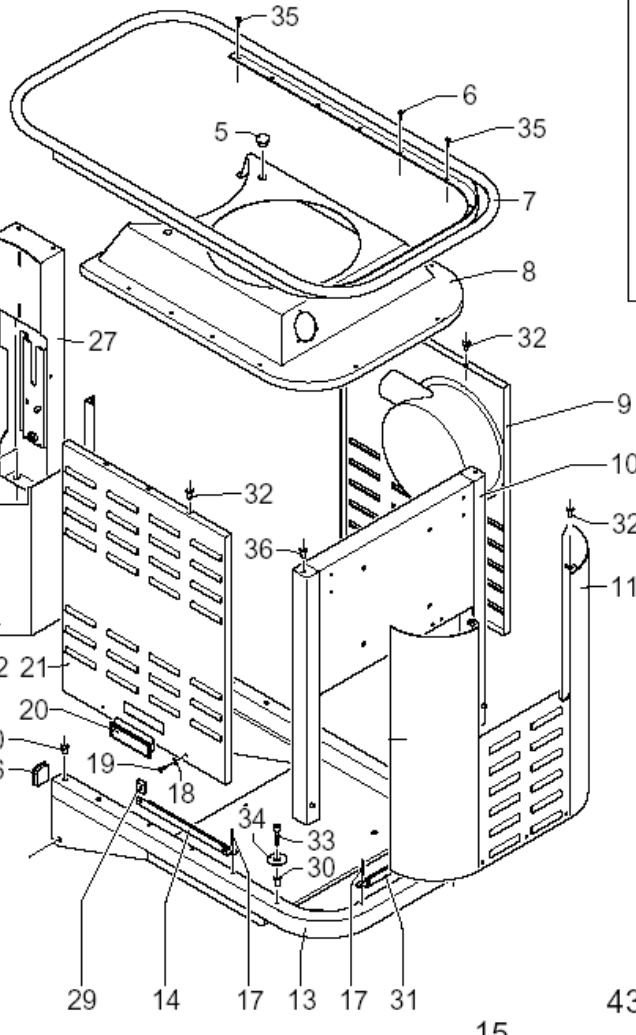
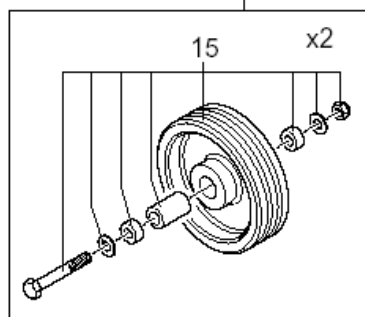
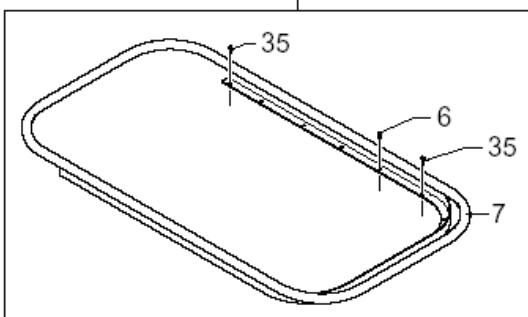
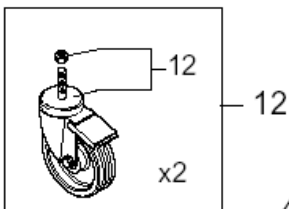
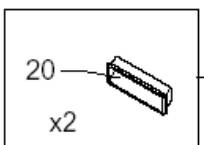
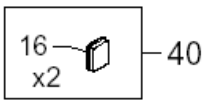
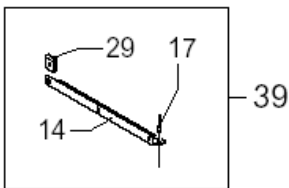
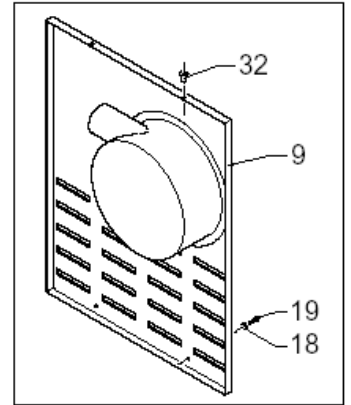
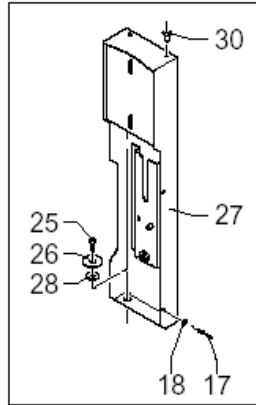
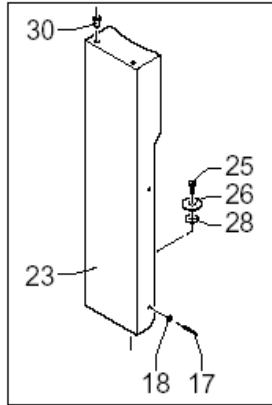
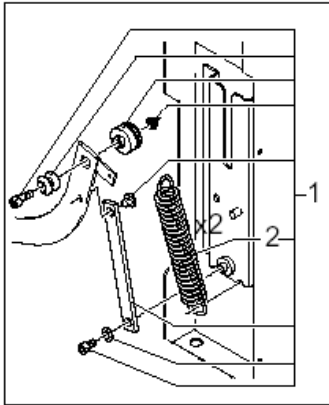
# Trolley

IV 055

22-02-2015

Part List ID  
G20633

13



# Trolley

IV 055

22-02-2015

Part List ID  
GZ0633

14

Pos	Part no.	Qty	Description
1	32400867	1	LEVER.FOR LOWERING COMPL. IV055
2	32400350	2	SPRINGS.KIT FOR LOWERING
3	32400868	1	DIFFUSER.FOR SOUNDPROOF IV055
4	32400869	1	COVER.FOR EXHAUST OUTLET IV055
8	32400392	1	CASE.UPPER
10	32400402	1	PILLAR.FOR ELECTR.PANEL
12	32400870	2	WHEEL.PIVOTING COMPLETE IV055
13	32400404	1	TROLLEY.COMPOSITE
15	32400871	2	WHEEL.FIXED COMPL.IV055
22	32400391	1	PROTECTION
24	32400872	1	LEVER.FOR PUSHING KIT D.560 IV055
31	32400386	1	LEDGE.CARTER
38	32401001	1	PANEL.LEFT COMPLETE IV055
39	32401002	1	LEDGE.COMPOSITE IV055/075/110/150
40	32401003	1	PLUGS.X CLOSING BASE SET
41	32400778	2	HANDLE.FOR PANEL KIT COMPLETE
42	32401004	1	HANDLE.GUIDE COMPLETE IV055
43	32401005	1	PANEL.RIGHT COMPLETE IV055
44	32401006	1	CASE.REAR KIT COMPLETE IV055/075/110/150
37A	32400999	1	PILLAR.RIGT COMPLETE IV055/075/110/150
37B	32401000	1	PILLAR.LEFT COMPLETE IV055/075/110/150

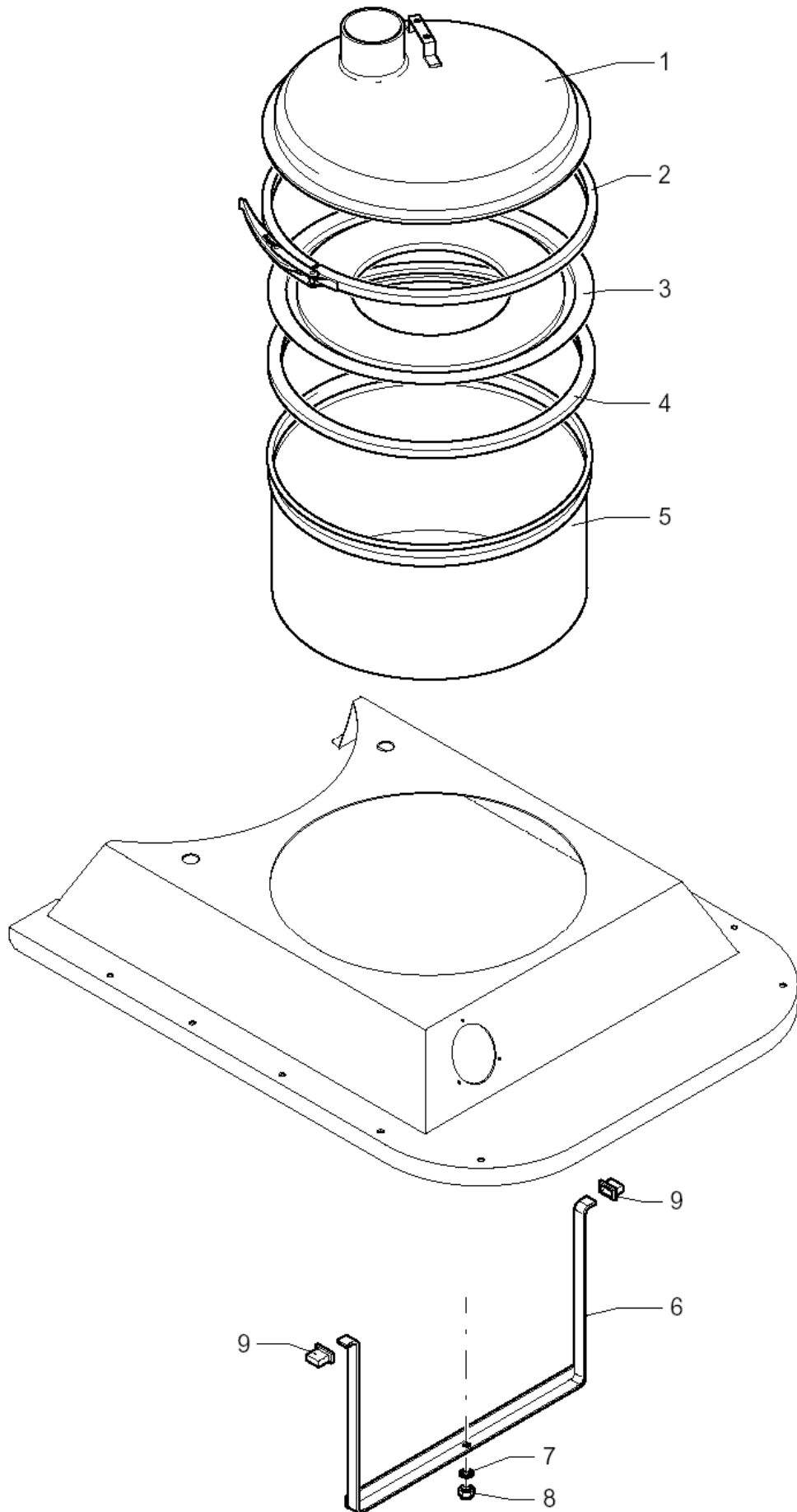
# Safety/Absolute filter container

IV 055

22-02-2015

Part List ID  
G20635

15



# Safety/Absolute filter container

IV 055

22-02-2015

Part List ID  
GZ0635

16

Pos	Part no.	Qty	Description
1	32400450	1	CAP. FOR FILTER ABSOLUTE
2	32400344	1	CLAMPING BAND.KIT D.460
3	32400447	1	BOTTOM.UPPER
4	32400336	1	GASKET.FOR RING KIT D.460
5	32400448	1	CONTAINER.FILTER ABSOLUTE



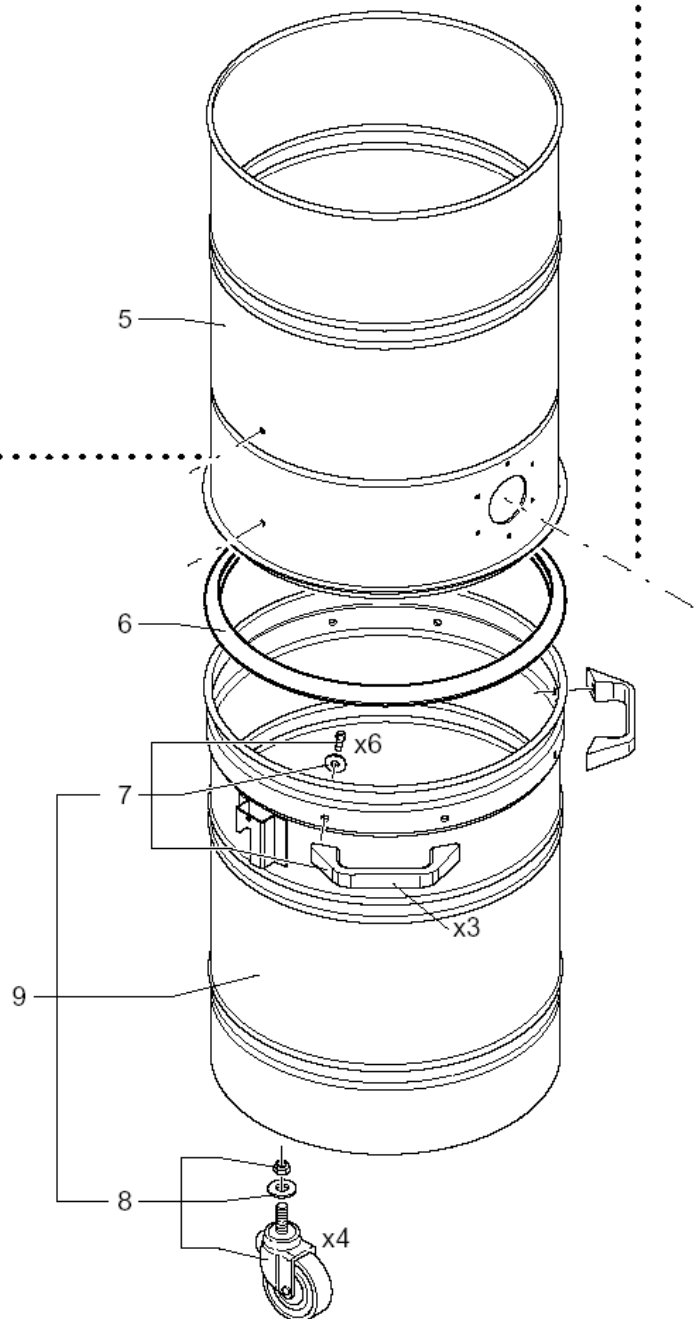
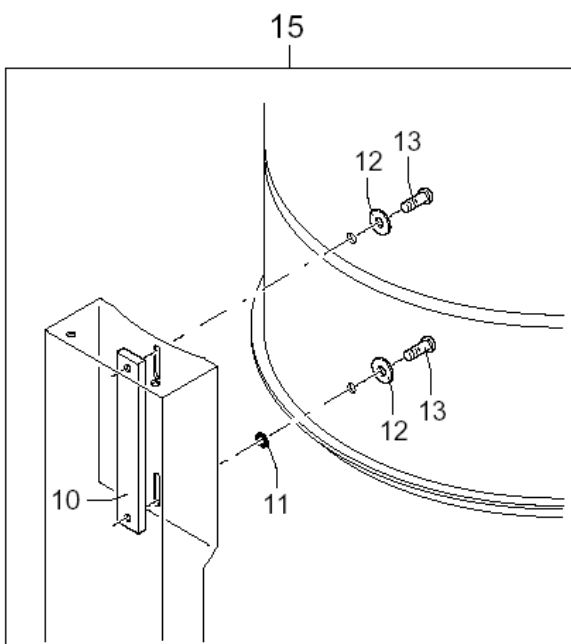
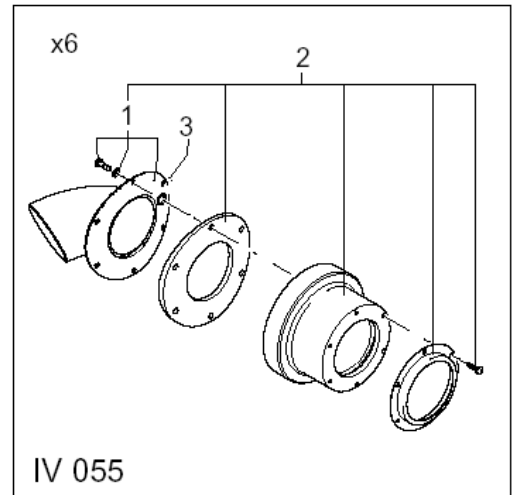
# Container

IV 055

22-02-2015

Part List ID  
G20637

17



# Container

IV 055

22-02-2015

Part List ID  
GZ0637

18

Pos	Part no.	Qty	Description
1	32400340	1	DEFLECTOR.KIT IV022/040/055/075/110
2	32400358	1	INLET.KIT D70/50 MM IV022/040
4	32400886	1	INLET.KIT D100 MM IV150
5	32400887	1	CHAMBER.FILTER KIT D.560
6	32400888	1	GASKET.SHAPED KIT D.560
7	32400333	3	HANDLE.KIT FOR CONTAINER
8	32400889	4	WHEELS.KIT CONTAINER IV055/075/110/150
9	32400890	1	CONTAINER.KIT COMPLETE IV055
9	32400891	1	CONTAINER.KIT COMPLETE IV075/110/150
14	32400939	1	INLET.KIT D70 MM IV075 IV110
15	32401011	1	PLATE.FIXING COMPLETE IV055/075/110/150

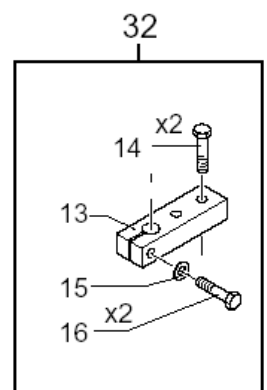
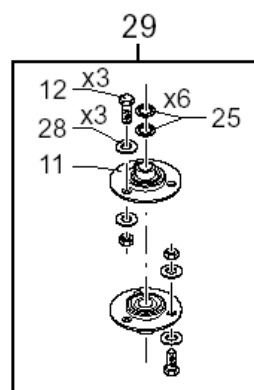
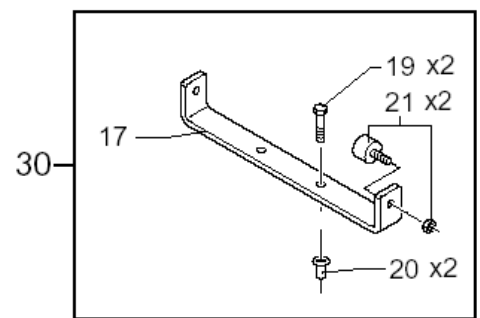
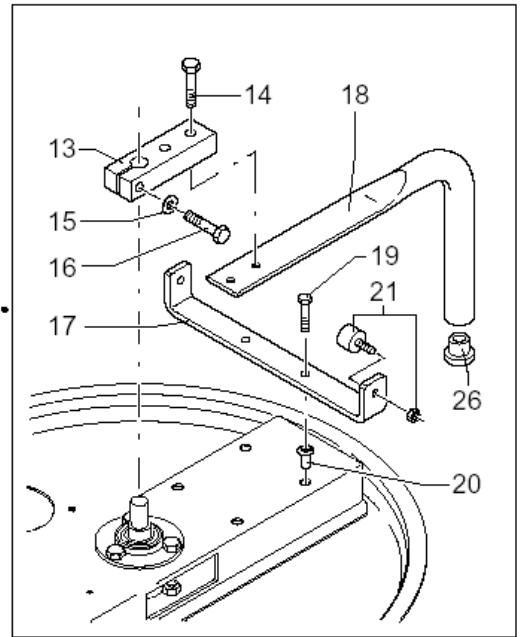
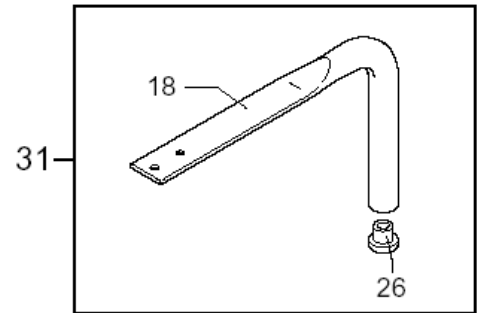
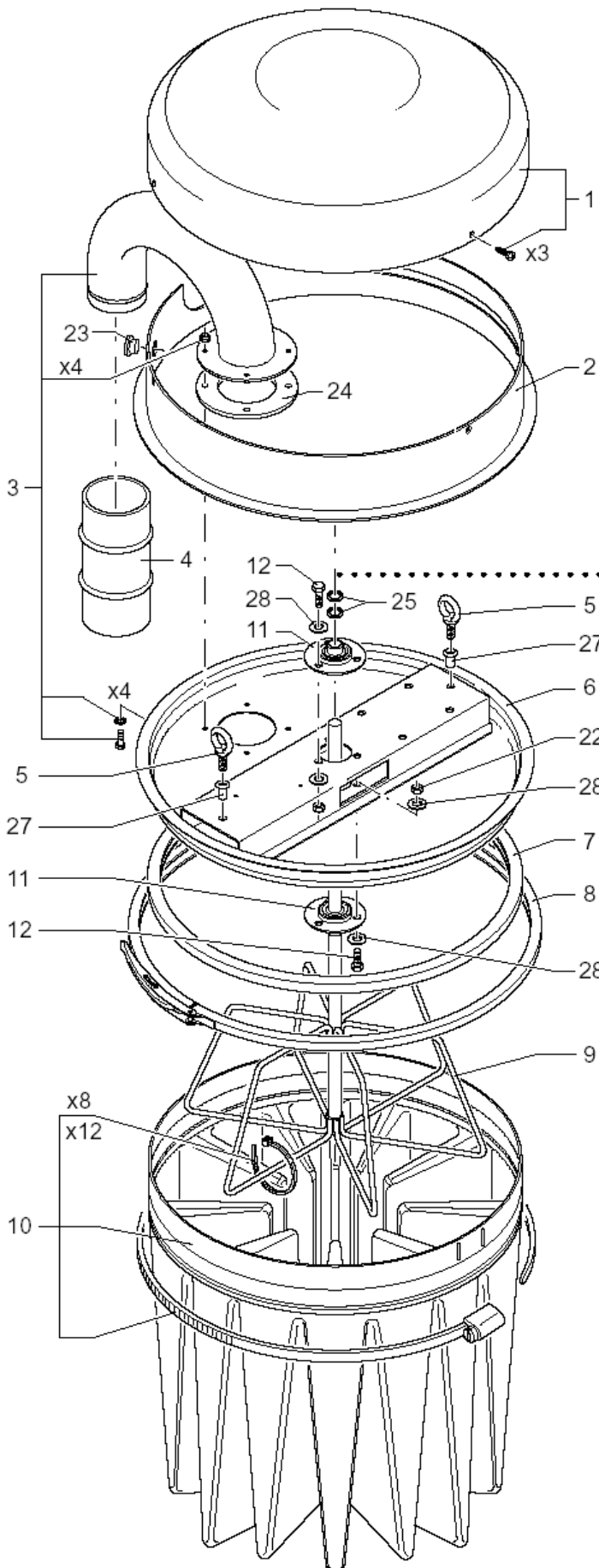
# Filters and Top container

IV 055

22-02-2015

Part List ID  
G20639

19



# Filters and Top container

IV 055

22-02-2015

Part List ID

GZ0639

20

Pos	Part no.	Qty	Description
1	32400892	1	CAP.KIT D.560
2	32400431	1	COLLAR. FOR CHAMBER
3	32400893	1	CONNECTION .BENT COMPLETE
4	32400894	1	SLEEVE.CONNECTION KIT IV055/075/110/150
5	145 5998 000	2	EYEBOLT M10 UNI2947
6	32400434	1	FILTER CARRIER.D.560
7	32400336	1	GASKET.FOR RING KIT D.460
8	32400895	1	CLAMPING BAND.KIT D.560
9	32400896	1	CAGE.FILTER KIT IV055/075 IV110
10	32400898	1	FILTER.POLYESTER KIT IV055/075/110
10	32400899	1	FILTER.PTFE KIT IV055/075 /110
10	32400900	1	FILTER.ANTISTATIC KIT IV055/075/110
10	32400901	1	FILTER.ANTISTATIC PTFE KIT IV055/075/110
10	32400902	1	FILTER.NOMEX KIT IV055 /075/110
10	40000755	1	STAR FILTER KIT M CLASS D560
29	32401012	1	LEVER.FILTER SHAKER IV055/075/110/150
30	32401013	1	PLATE STOP. KIT COMPL. IV055/075/110/150
31	32401014	1	HANDLE.FILTER SHAKER IV055/075/110/150
32	32401015	1	LEVER.X MOVING KIT COMPL.

# Standard version 440V - wiring diagram 1

IV 055

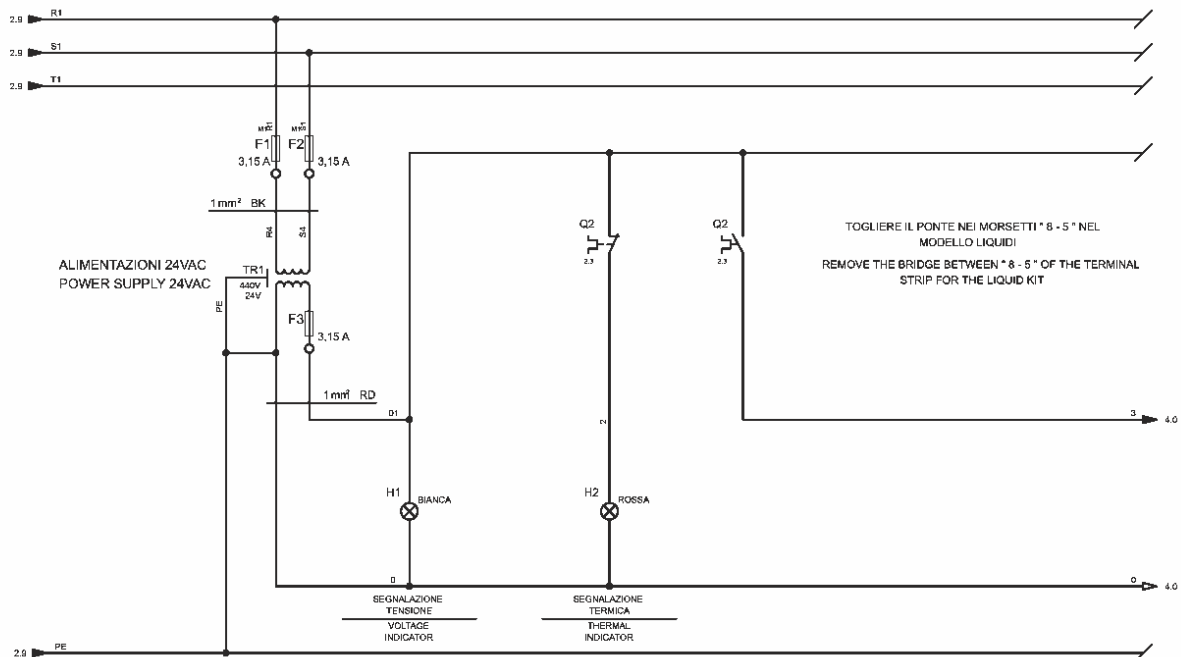
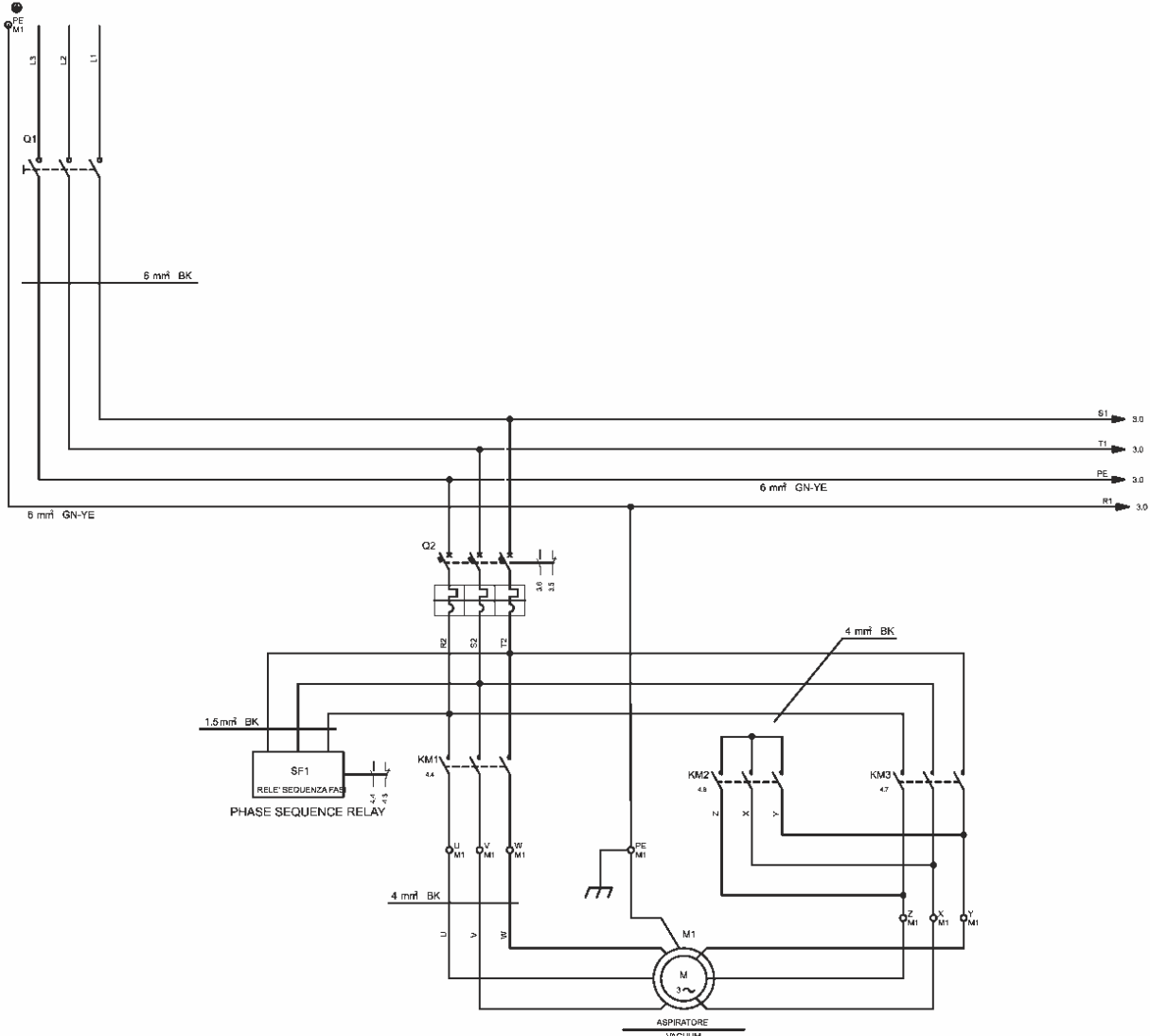
22-02-2015

Part List ID  
G206210

21

WIRING DIAGRAM 32401303

POWER SUPPLY  
440V 50/60HZ



# Standard version 440V - wiring diagram 1

IV 055

22-02-2015

Part List ID

G206210

22

# Standard version 440V - wiring diagram 2

IV 055

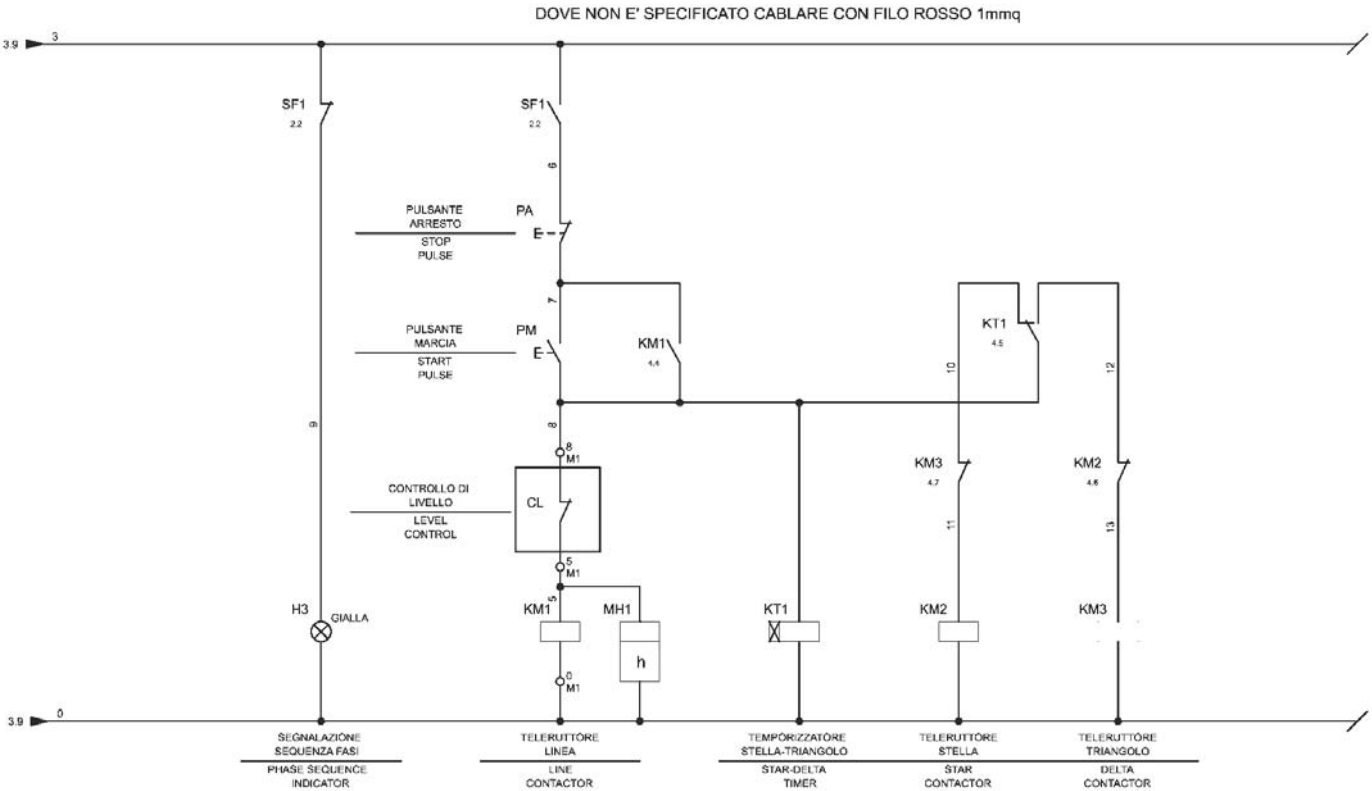
22-02-2015

Part List ID

G206211

23

WIRING DIAGRAM 32401303



# Standard version 440V - wiring diagram 2

IV 055

22-02-2015

Part List ID

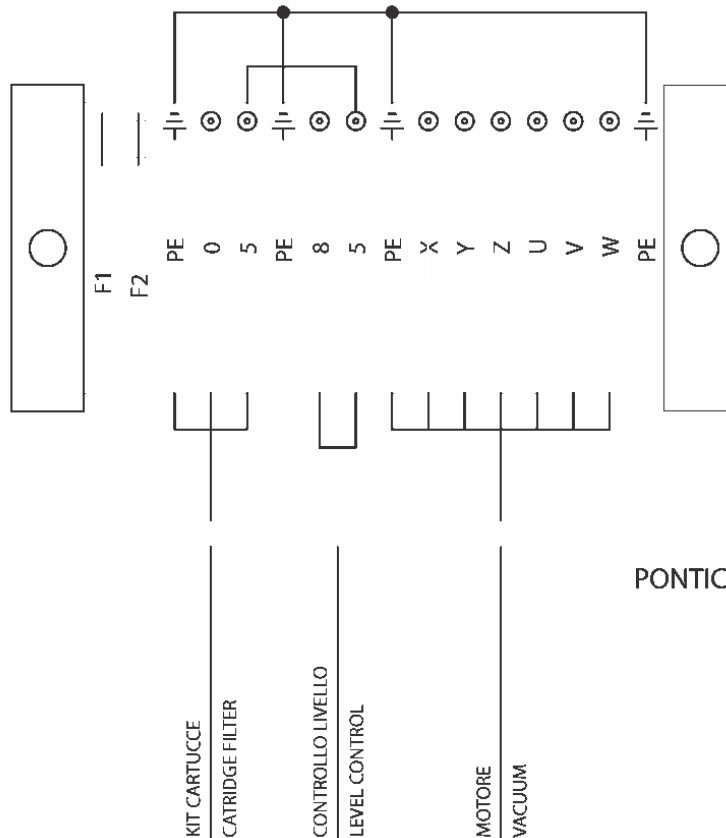
G206211

24



WIRING DIAGRAM 32401303

## QUADRO QG - MORSETTIERA M1



PONTICELLARE I MORSETTI " 8 - 5 " IN  
FASE DI CABLAGGIO

Nome/Item	Descrizione/Description	Descrizione/Description
H1	SPIA BIANCA	WHITE LAMP
H2	SPIA ROSSA	RED LAMP
H3	SPIA GIALLA	YELLOW LAMP
PA	PULSANTE	PULSE
PM	PULSANTE	PULSE
KM1	TELERUTTORE HP 5,5 24VAC 1NO	CONTACTOR HP 5,5 24VAC 1NO
KM2	TELERUTTORE HP 3 24VAC 1NC	CONTACTOR HP 3 24VAC 1NC
KM3	TELERUTTORE HP 5,5 24VAC 1NC	CONTACTOR HP 5,5 24VAC 1NC
Q2	SALVAMOTORE 11-16 A SALVAMOTORE 14-20 A SALVAMOTORE 23-32 A SALVAMOTORE 17-22 A	AUTOMATIC BREAKER 11-16 A AUTOMATIC BREAKER 14-20 A AUTOMATIC BREAKER 23-32 A AUTOMATIC BREAKER 17-22 A
KT1	CONTAORE A GUIDA	COUNTER HOURS
SF1	RELE' SEQUENZA FASI 400V	PHASE SEQUENCE RELAY 400V
TR1	TRASFORMATORE 440/24V	TRANSFORMER 440/24V
M1	MORSETTO TERRA 6mmq S MORSETTO LINEA 6mmq S	GROUND TERMINAL 6mmq S LINE TERMINAL 6mmq S
MH1	MORSETTO PORTAFUSIBILE 1,5mmq S	FUSE HOLDER TERMINAL 1,5mmq S

# Standard version 440V - wiring diagram 3

IV 055

22-02-2015

Part List ID  
G206212

26

# Filter shaker version - electric box

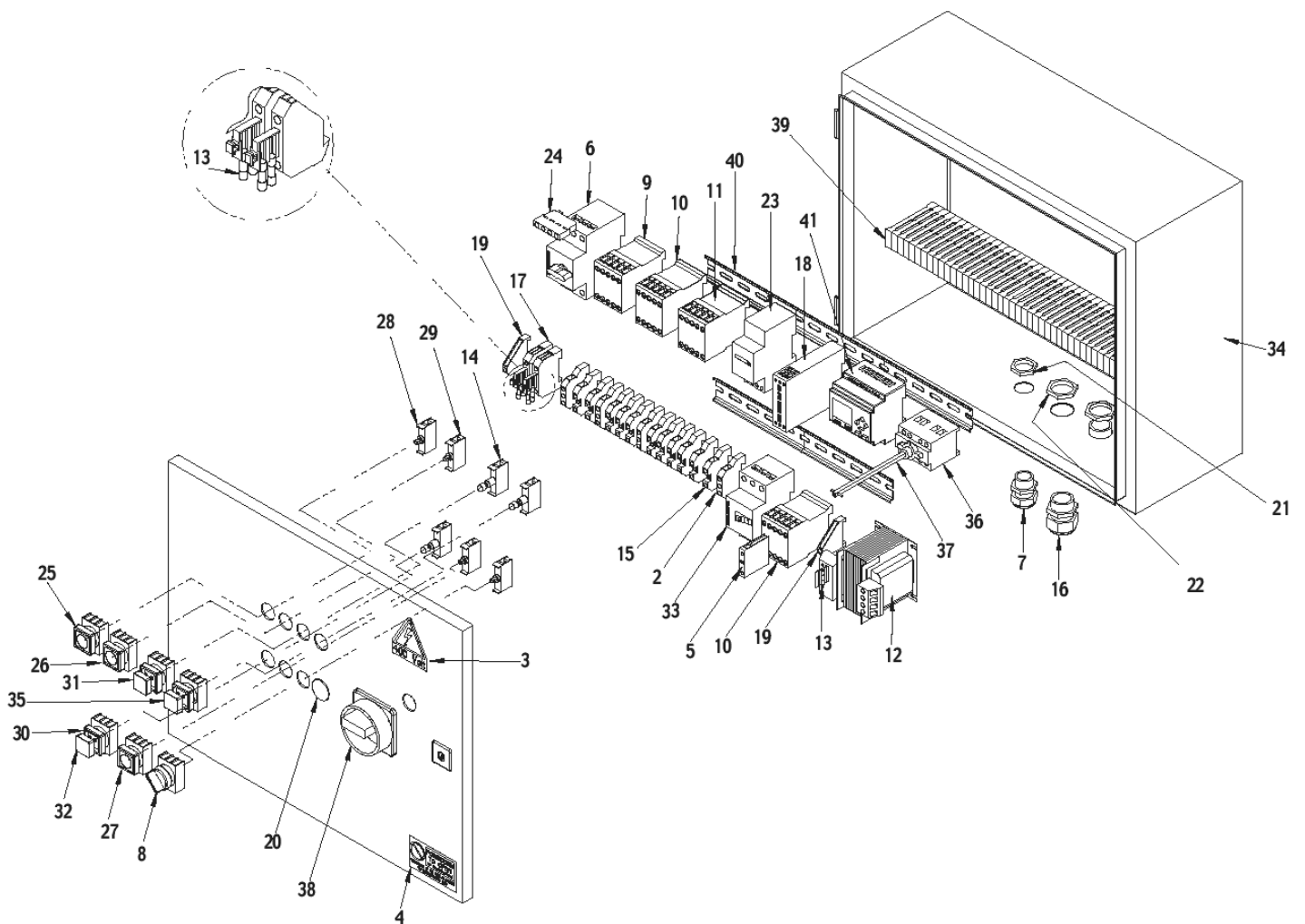
IV 055

22-02-2015

Part List ID

G206215

27



# Filter shaker version - electric box

IV 055

22-02-2015

Part List ID  
G2U6Z15

28

Pos	Part no.	Qty	Description
2	Z8 39121	4	TERMINAL EARTH 6MMQ S
3	32401167	1	DECAL. VOLTAGE PRESENCE DECAL. VOLTAGE
4	Z8 17689	1	LABEL FORBIDDEN TO OPEN 82X42
5	32401171	1	AUXILIARY CONTACT BLOCK AUXILIARY
6	Z8 39014	1	CIRCUIT BREAKER 11-16 A SIRIUS S0
7	Z8 39055	1	CABLE GLAND PG16 PA
8	32401175	1	SELECTOR SWITCHER SELECTOR SWITCHER
9	Z8 391005	1	CONTACTOR KW5.5 24VAC 1NO SIRIUS S00
10	Z8 391006	2	CONTACTOR KW3 24VAC 1NC SIRIUS S00
11	Z8 391008	1	CONTACTOR KW5.5 24VAC 1NC SIRIUS S00
12	Z8 391051	1	TRANSFORMER 63VA 400-230/24V FUSE AT SEC
13	32401193	5	GLASS FUSE 3.15 A GLASS FUSE 3.15 A
14	Z8 39114	3	LAMP BA9 V24
15	Z8 39120	11	TERMINAL LINE 6MMQ S
16	Z8 39205	2	CABLE GLAND PG21 PA
17	Z8 39244	2	TERMINAL FUSEHOLDER 1.5mmq S 5X20
18	Z8 391120	1	RELAY PHASE SEQUENCE 180-600V
19	Z8 39296	2	TERMINAL STOP x GUIDE 35mm S
20	Z8 39522	1	PLUG BLIND CONTROL PLATE D22
21	Z8 39568	1	METAL RING NUT PG16
22	Z8 39569	2	METAL RING NUT PG21
23	Z8 39693	1	HOURS COUNTER TO GUIDE 24VAC
24	Z8 39726	1	AUX CONTACT CIRCUIT BREAKER SIRIUS S2-S3
25	32401221	1	PULSE. START PULSE. START
26	32401222	1	PULSE. STOP PULSE. STOP
27	32401223	1	PULSE. ELECTRIC SHACKER PULSE. ELECTRIC
28	32401224	3	CONTACT
29	32401225	1	CONTACT. NC CONTACT. NC
30	32401226	3	LAMP HOLDER P.C. LAMP HOLDER P.C.
31	32401227	1	LAMP. WHITE V24 P.C. LAMP. WHITE V24
32	32401228	1	LAMP. YELLOW V24 P.C. LAMP. YELLOW V24
33	Z8 39746	1	CIRCUIT BREAKER 0.7-1 A S00 SIRIUS S00
34	32401232	1	STEEL BOX. 400X500X200 + STEEL BOX.
35	32401233	1	LAMP. RED V24 P.C. LAMP. RED V24 P.C.
36	32401238	1	SAFETY BOX LOCK SAFETY BOX LOCK
37	Z58 39450	1	MAIN SWITCH 3X32A ILM
38	Z58 39450	1	MAIN SWITCH 3X32A ILM
39	32401241	1	RACEWAY 25x80 RACEWAY 25x80
40	32401243	5	GUIDE. OMEGA GUIDE. OMEGA
41	Z58 39607	1	CONTROLLER LOGO 24RC 24VAC/DC 8IN/4OUT

# Filter shaker version - wiring diagram 1

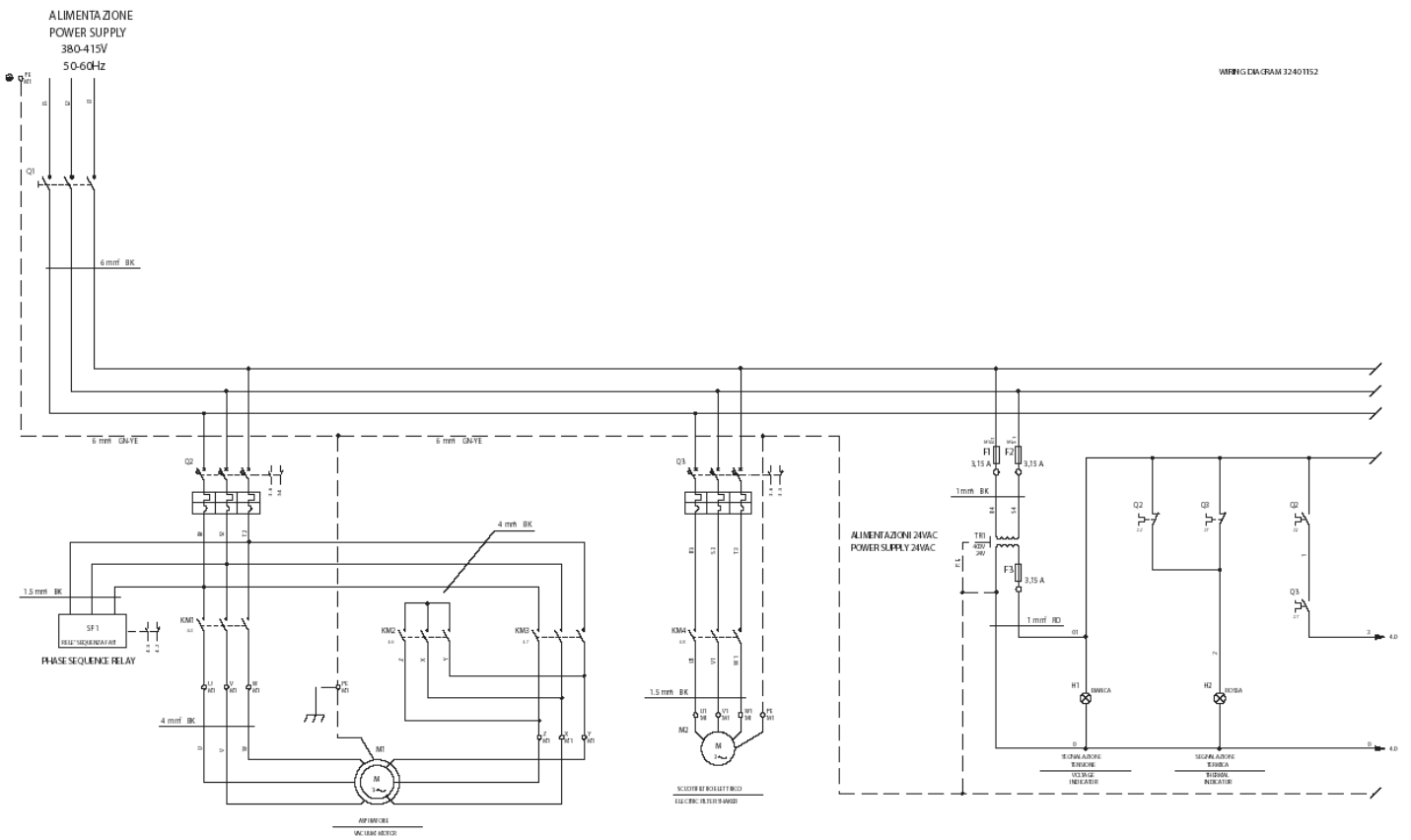
IV 055

22-02-2015

Part List ID

G206216

29



# Filter shaker version - wiring diagram 1

IV 055

22-02-2015

Part List ID  
G206216

30

# Filter shaker version - wiring diagram 2

IV 055

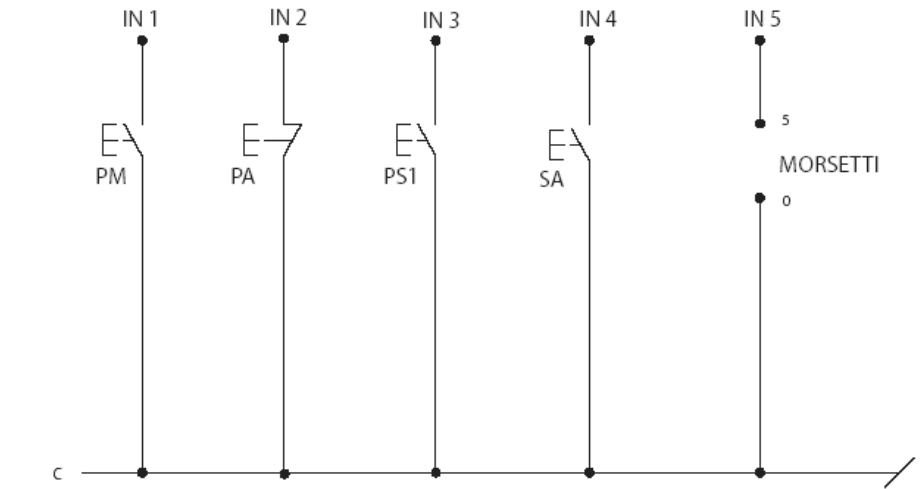
22-02-2015

Part List ID  
G206217

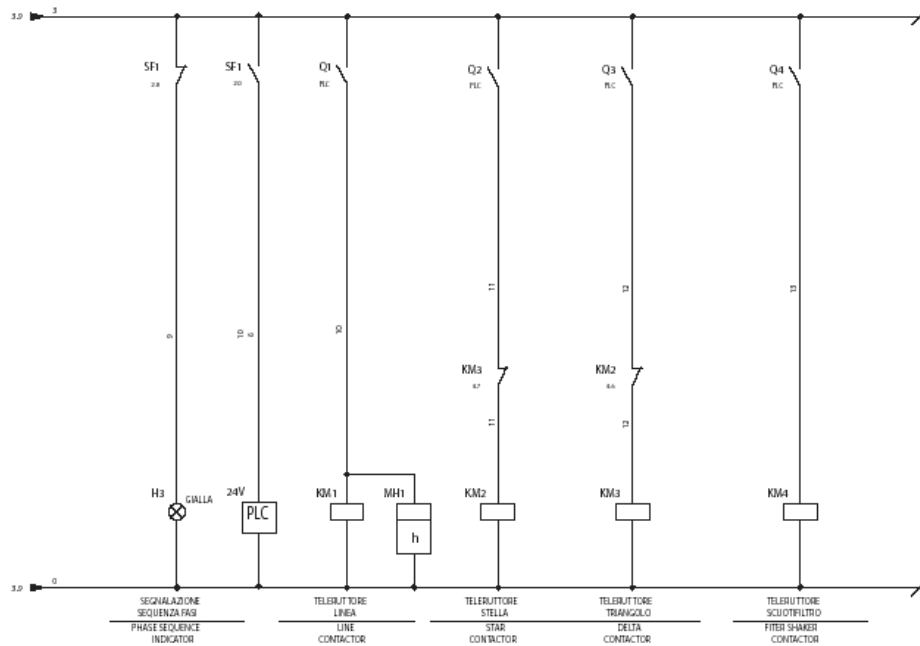
31

WIRING DIAGRAM 32401152

## INGRESSI PLC

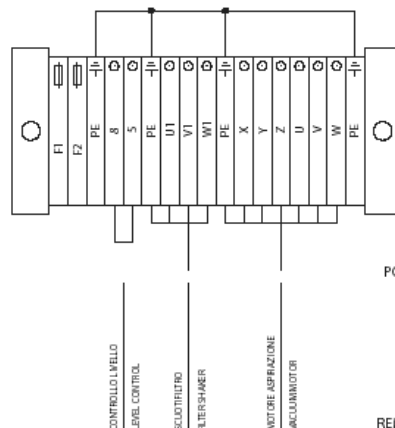


DOVE NON E' SPECIFICATO CABLARE CON FILO ROSSO 1mmq



## QUADRO QG - MORSETTIERA M1

N me/Item	Descrizi ne/Descripti n	Descrizi ne/Descripti n
H1	SPIA BIANCA	WHITE LAMP
H2	SPIA ROSSA	RED LAMP
H3	SPIA GIALLA	YELLOW LAMP
PR	PULSANTE	PUSH BUTTON
PM	PULSANTE	PUSH BUTTON
KM1	TELELUTTORE HP 5,5 24VAC 1NC	CONTACTOR HP 5,5 24VAC 1NC
KM2	TELELUTTORE HP 5,5 24VAC 1NC	CONTACTOR HP 5,5 24VAC 1NC
KM3	TELELUTTORE HP 5,5 24VAC 1NC	CONTACTOR HP 5,5 24VAC 1NC
KM4	TELELUTTORE HP 5,5 24VAC 1NC	CONTACTOR HP 5,5 24VAC 1NC
Q1	TELELUTTORE HP 5,5 24VAC 1NC	CONTACTOR HP 5,5 24VAC 1NC
Q2	TELELUTTORE HP 5,5 24VAC 1NC	CONTACTOR HP 5,5 24VAC 1NC
Q3	TELELUTTORE HP 5,5 24VAC 1NC	CONTACTOR HP 5,5 24VAC 1NC
Q4	TELELUTTORE HP 5,5 24VAC 1NC	CONTACTOR HP 5,5 24VAC 1NC
KT1	CONTORE A GIADA	COUNTER HOURS
SF1	RELE' SEQUENZA FASI 400V	PHASE SEQUENCE RELAY 400V
TR1	TRASFORMATORE 63VA 400/24V	TRANSFORMER 63VA 400/24V
M1	MORSETTO TERRA 6mmq 5	GROUND TERMINAL 6mmq 5
M2	MORSETTO LINEA 6mmq 5	LINE TERMINAL 6mmq 5
MH1	MORSETTO PORTAFUSIBILE 1,5mmq 5	FUSE HOLDER TERMINAL 1,5mmq 5



PONTICELLARE I MORSETTI \* 8 - 5 \* IN FASE DI CABLAGGIO

TOGLIERE IL PONTE NEI MORSETTI \* 8 - 5 \* NEL MODELLO LIQUIDI  
REMOVE THE BRIDGE BETWEEN \* 8 - 5 \* OF THE TERMINAL STRIP FOR THE LIQUID KIT

# Filter shaker version - wiring diagram 2

IV 055

22-02-2015

Part List ID  
G206217

32



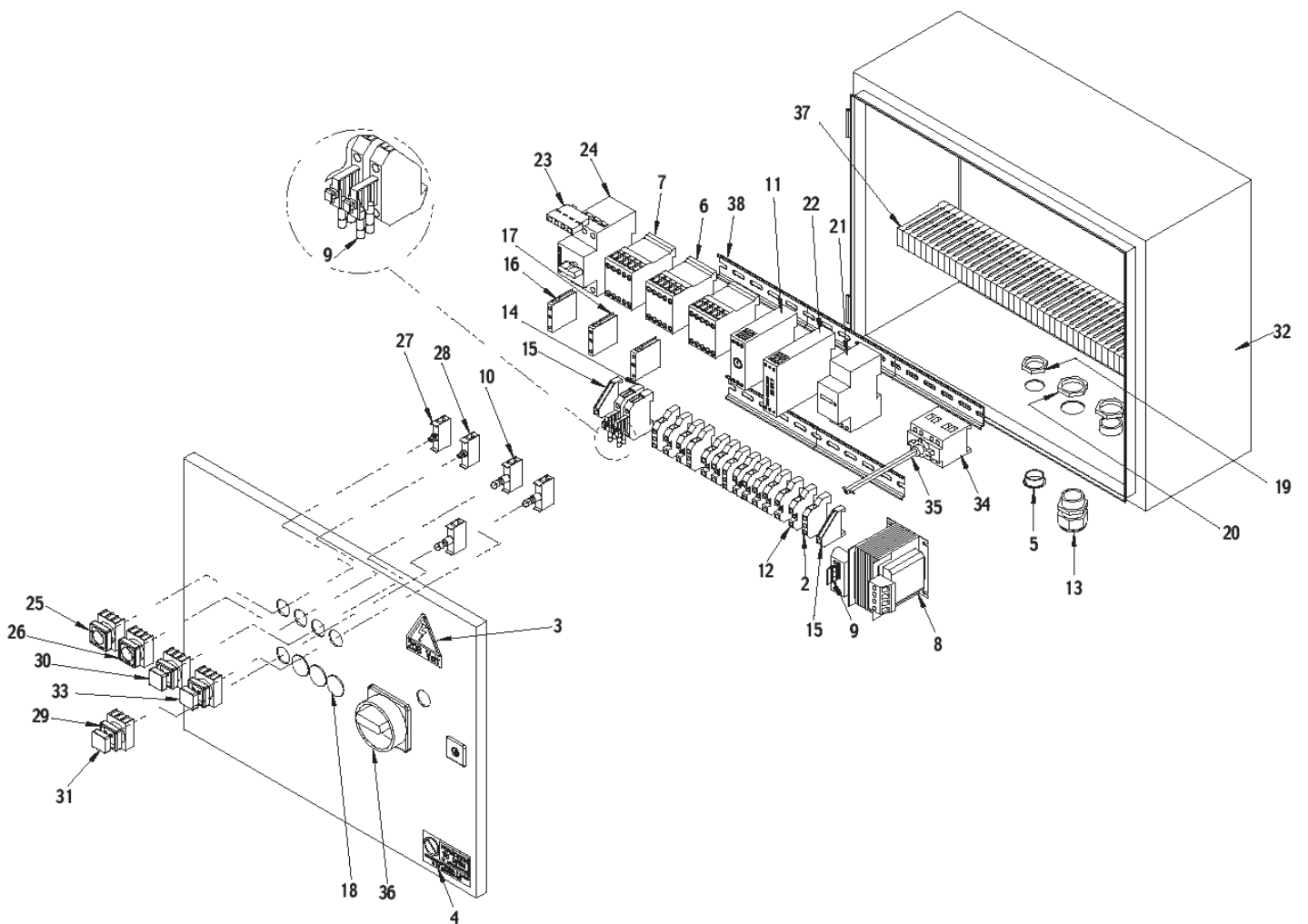
# 208V version - electric box

IV 055

22-02-2015

Part List ID  
G206219

33



# 208V version - electric box

IV 055

22-02-2015

Part List ID

GZ06219

34

Pos	Part no.	Qty	Description
2	Z8 39121	4	TERMINAL EARTH 6MMQ S
3	32401169	1	DECAL. VOLTAGE PRESENCE DECAL. VOLTAGE
4	Z8 17689	1	LABEL FORBIDDEN TO OPEN 82X42
6	Z8 39100	1	CONTACTOR KW5.5 24VAC SIRIUS S0
7	Z8 391259	2	PLUG 16A 3P+T 400V IP67
8	Z8 391051N3	1	TRANSFORMER 63VA 208/24V FUSE AT SEC
9	32401193	5	GLASS FUSE 3.15 A GLASS FUSE 3.15 A
10	Z8 39114	3	LAMP BA9 V24
11	Z8 39119	1	TIMER S/T 0-60 SEC. 24-110-230V
12	Z8 39120	10	TERMINAL LINE 6MMQ S
13	Z8 39205	2	CABLE GLAND PG21 PA
14	Z8 39244	2	TERMINAL FUSEHOLDER 1.5mmq S 5X20
15	Z8 39296	2	TERMINAL STOP x GUIDE 35mm S
16	Z8 39366	1	CONTACT AUX CONTACTOR NO SIRIUS S2-S12
17	Z8 39367	2	CONTACT AUX CONTACTOR NC SIRIUS S2-S12
18	Z8 39522	3	PLUG BLIND CONTROL PLATE D22
19	Z8 39568	1	METAL RING NUT PG16
20	Z8 39569	2	METAL RING NUT PG21
21	Z8 39693	1	HOURS COUNTER TO GUIDE 24VAC
22	Z8 391120	1	RELAY PHASE SEQUENCE 180-600V
23	Z8 39726	1	AUX CONTACT CIRCUIT BREAKER SIRIUS S2-S3
24	Z8 39730	1	CIRCUIT BREAKER 22-32 A SIRIUS S2
25	32401221	1	PULSE. START PULSE. START
26	32401222	1	PULSE. STOP PULSE. STOP
27	32401224	1	CONTACT
28	32401225	1	CONTACT. NC CONTACT. NC
29	32401226	3	LAMP HOLDER P.C. LAMP HOLDER P.C.
30	32401227	1	LAMP. WHITE V24 P.C. LAMP. WHITE V24
31	32401228	1	LAMP. YELLOW V24 P.C. LAMP. YELLOW V24
32	32401232	1	STEEL BOX. 400X500X200 + STEEL BOX.
33	32401233	1	LAMP. RED V24 P.C. LAMP. RED V24 P.C.
34	32401238	1	SAFETY BOX LOCK SAFETY BOX LOCK
35	Z58 39450	1	MAIN SWITCH 3X32A ILM
36	Z58 39450	1	MAIN SWITCH 3X32A ILM
37	32401241	1	RACEWAY 25x80 RACEWAY 25x80
38	32401243	5	GUIDE. OMEGA GUIDE. OMEGA

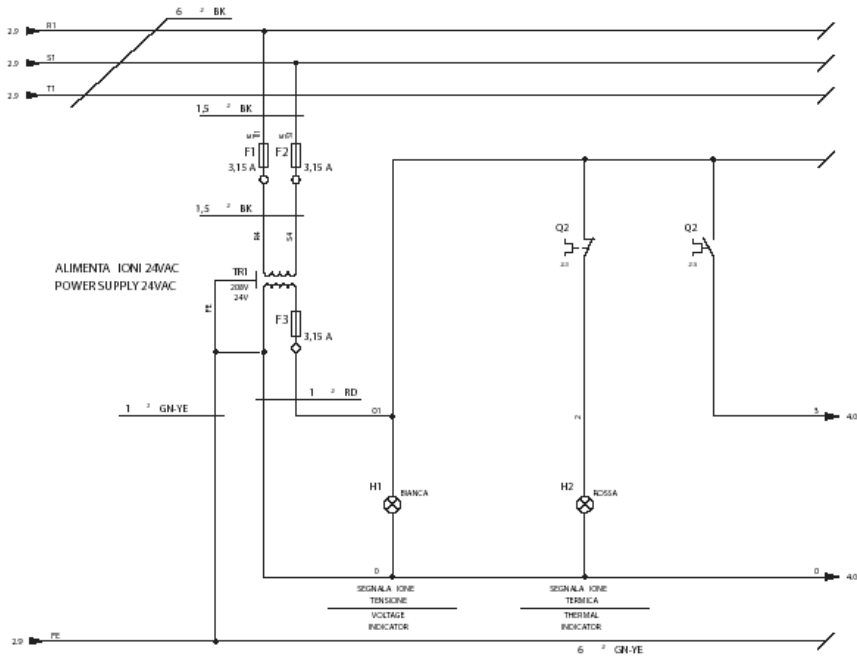
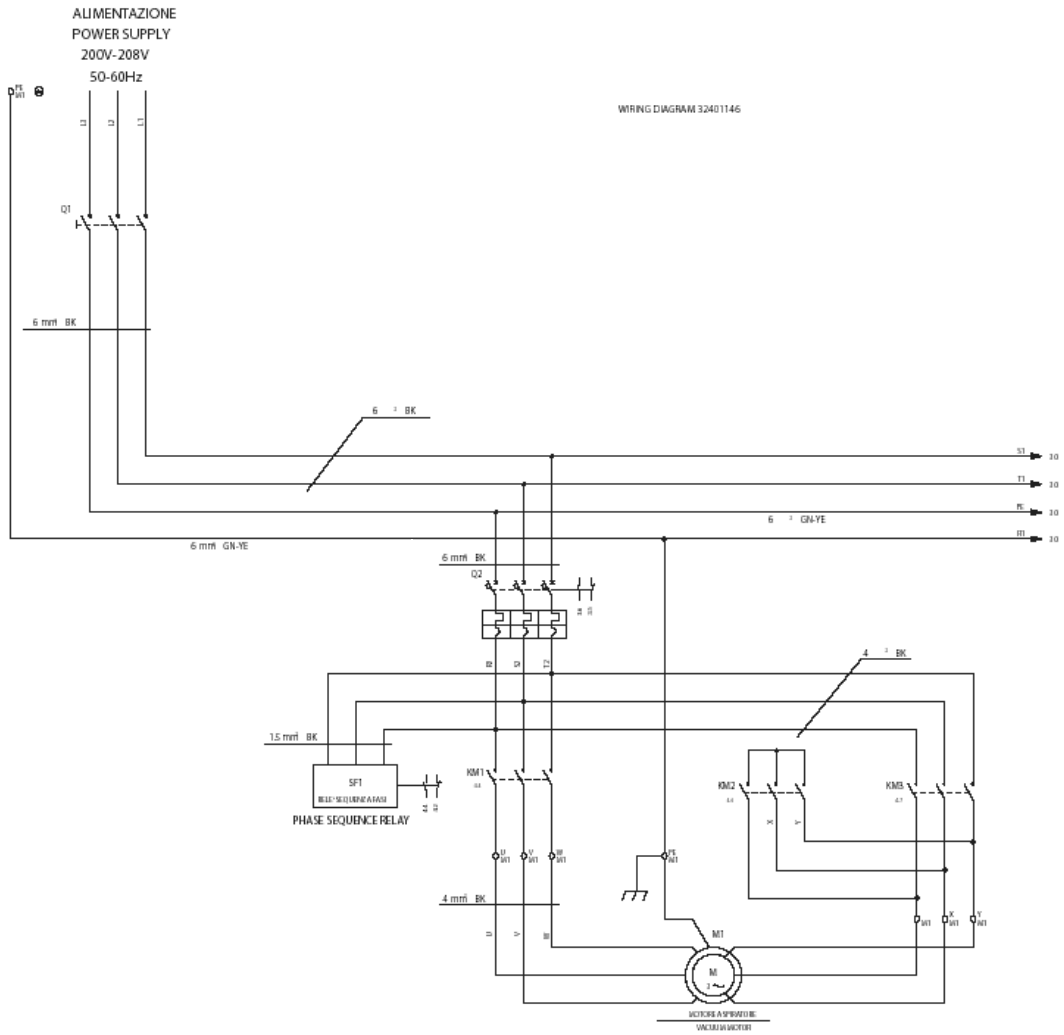
# 208V version - wiring diagram 1

IV 055

22-02-2015

Part List ID  
G206220

35



# 208V version - wiring diagram 1

IV 055

22-02-2015

Part List ID  
G206Z20

36

# 208V version - wiring diagram 2

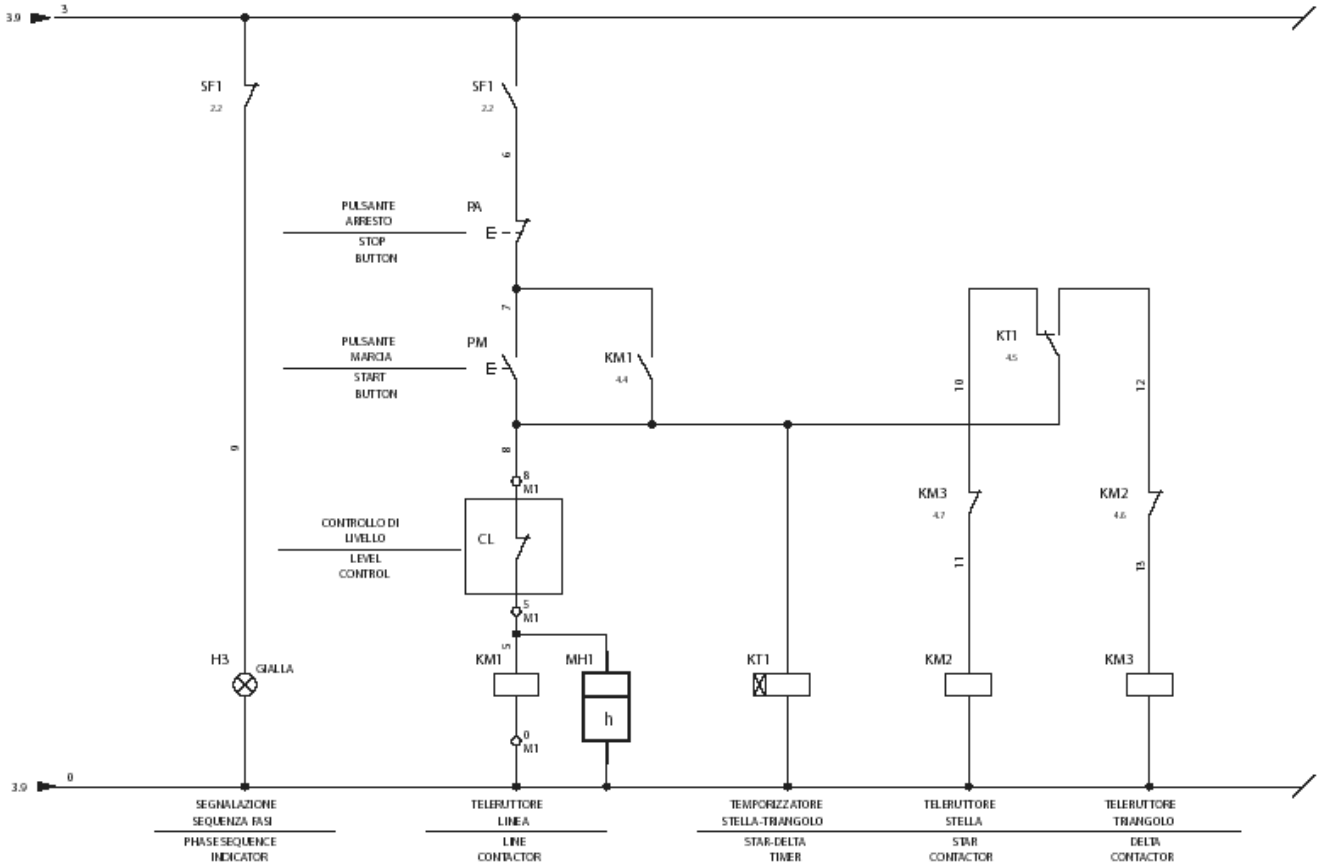
IV 055

22-02-2015

Part List ID  
G206221

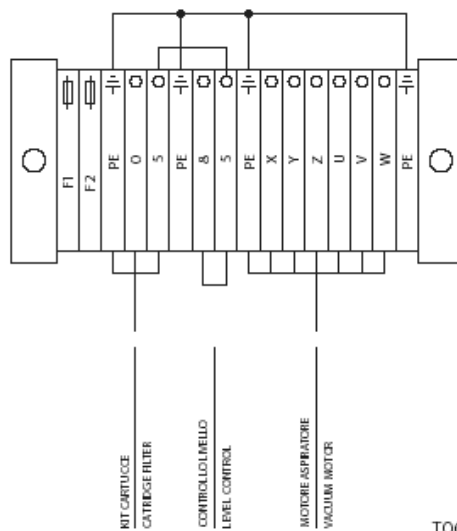
37

DOVE NON E' SPECIFICATO CABLARE CON FILO ROSSO 1mm  
WHERE NOT SPECIFIED USE RED CABLE 1 SQ MM



WIRING DIAGRAM 32401146

## QUADRO QG - MORSETTIERA M1



PONTICELLARE I MORSETTI " 8 - 5 " IN  
FASE DI CABLAGGIO

TOGLIERE IL PONTE NEI MORSETTI " 8 - 5 " NEL  
MODELLO LIQUIDI

REMOVE THE BRIDGE BETWEEN " 8 - 5 " OF THE TERMINAL  
STRIP FOR THE LIQUID KIT

# 208V version - wiring diagram 2

IV 055

22-02-2015

Part List ID  
G206Z21

38

# Vacuum Pump system

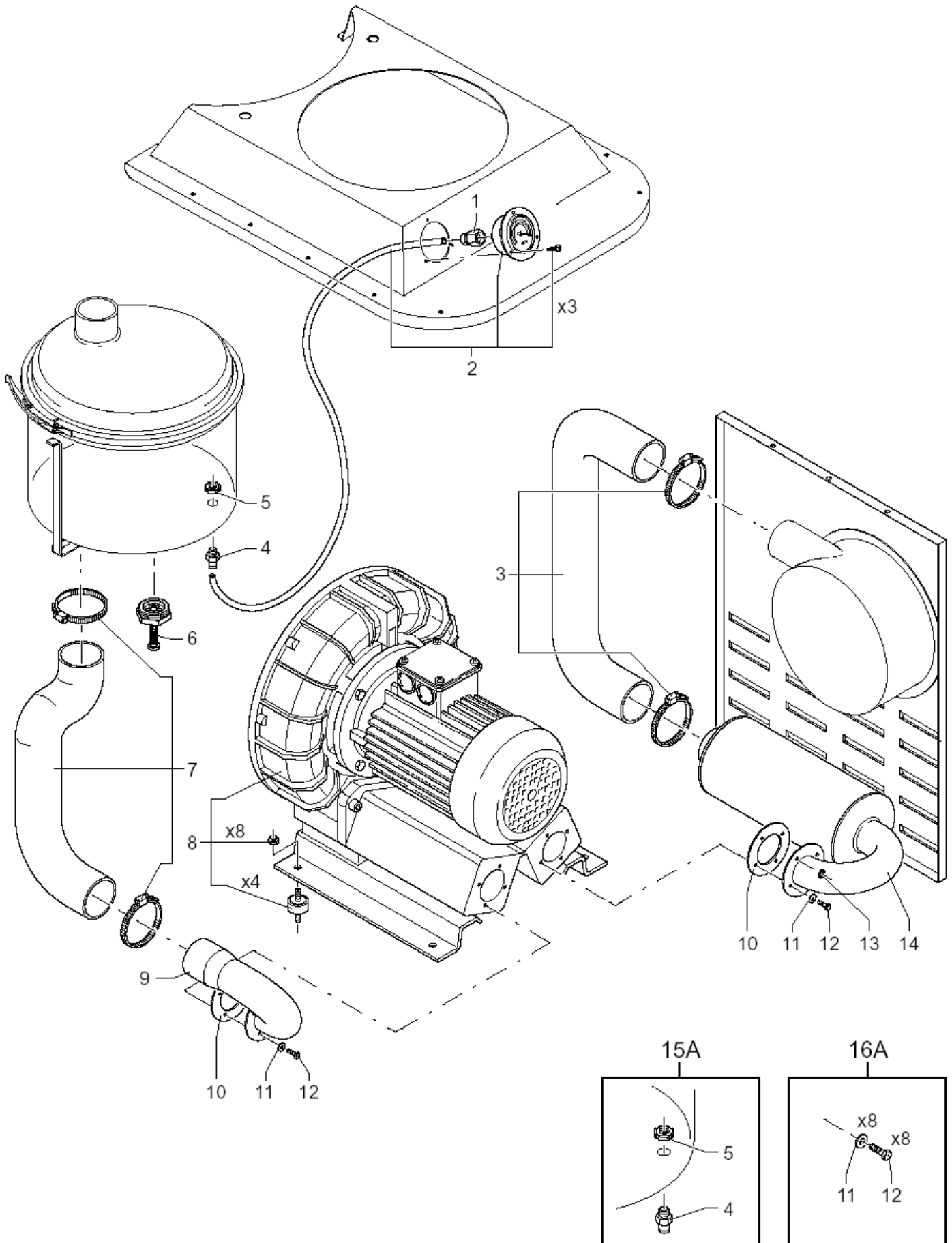
IV 055

22-02-2015

Part List ID

G206311

39



# Vacuum Pump system

IV 055

22-02-2015

Part List ID

G206311

40

Pos	Part no.	Qty	Description
2	32400911	1	VACUUM GAUGE.KIT IV055
3	32400912	1	HOSE.BLOWING KIT IV055 /075/110/150
6	32400913	1	VALVE.SAFETY COMPLETE IV055
7	32400914	1	HOSE.FOR SUCTION KIT IV055
8	32400915	1	PUMP.KIT 5.5 KW
9	32400445	1	PIPE FITTING.FOR SUCTION
14	32400444	1	SILENCER
15A	32400789	1	ELBOW.1/8 D.6 COMPLETE
16A	32401016	1	SCREW M6X16 WITH WASHER SILENCER



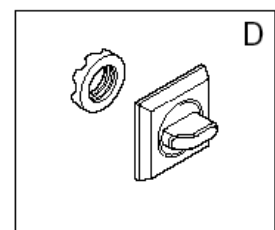
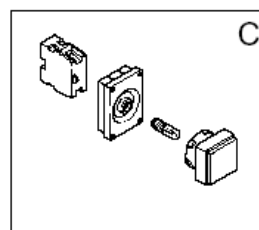
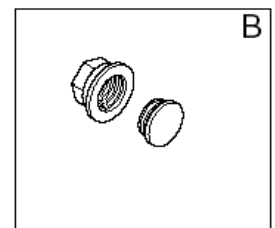
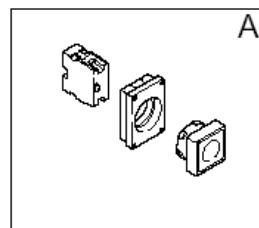
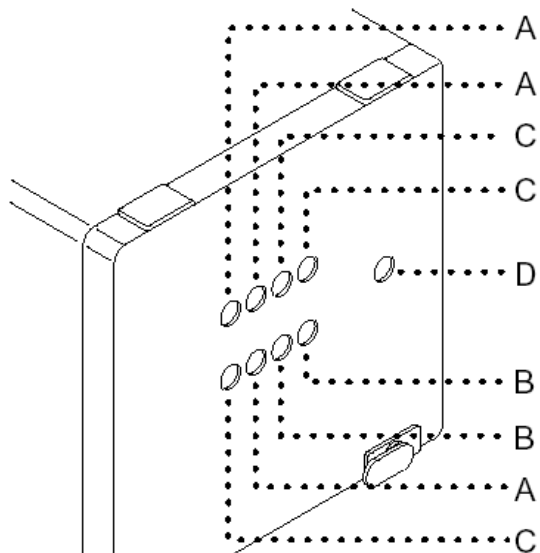
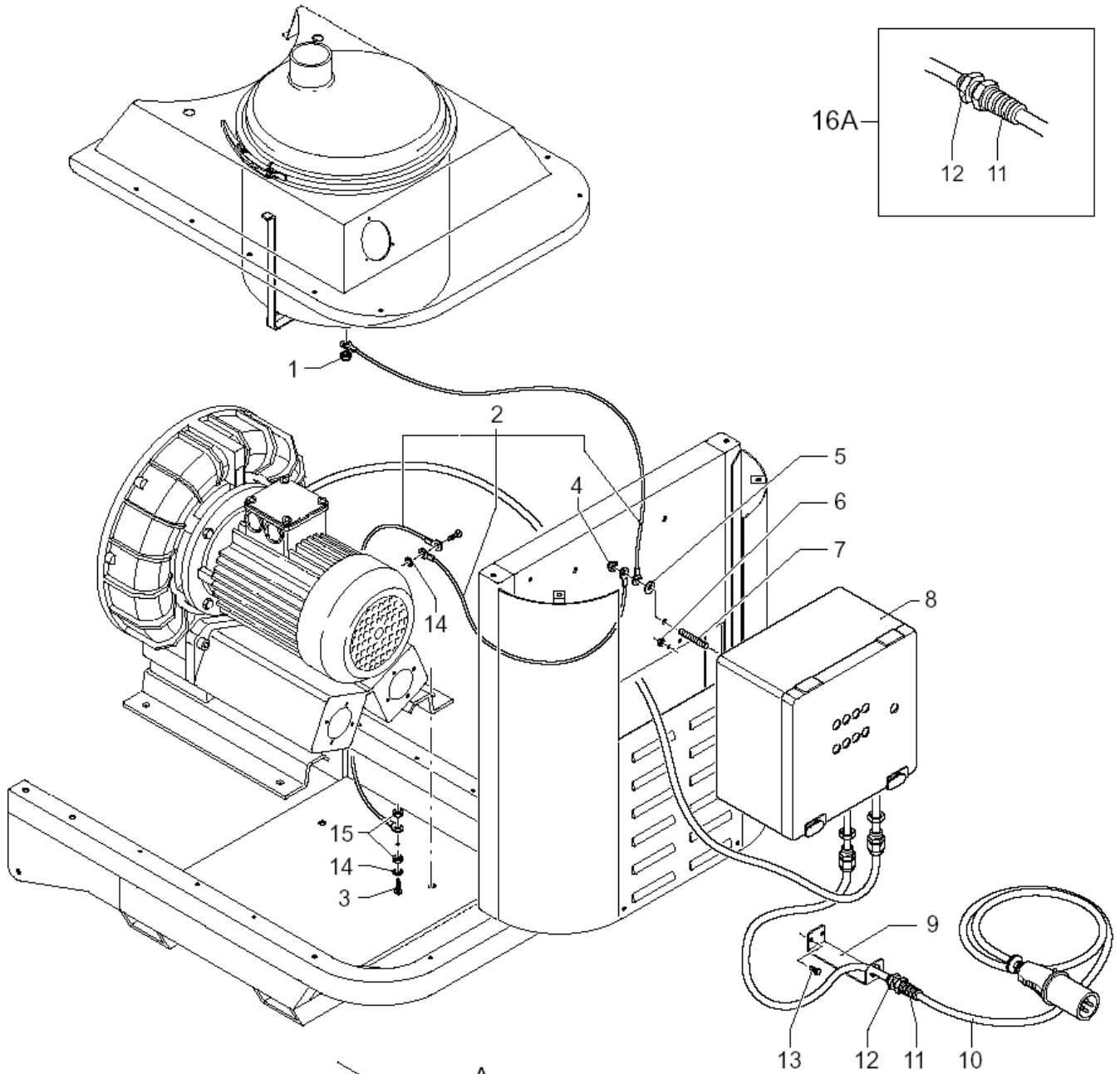
# Standard Electrical components

IV 055

22-02-2015

Part List ID  
G206313

41



# Standard Electrical components

IV 055

22-02-2015

Part List ID  
G206313

42

Pos	Part no.	Qty	Description
2	32400457	1	CABLES.GROUND KIT
8	32400927	1	PANEL.ELECTRONIC IV055
9	32400398	1	SUPPORT.FOR CABLE GLAND
10	32400931	1	CABLE.POWER SUPPLY KIT PLUG 32A
16A	32401018	1	CABLE GLAND.COMPLETE IV055/075/110/150

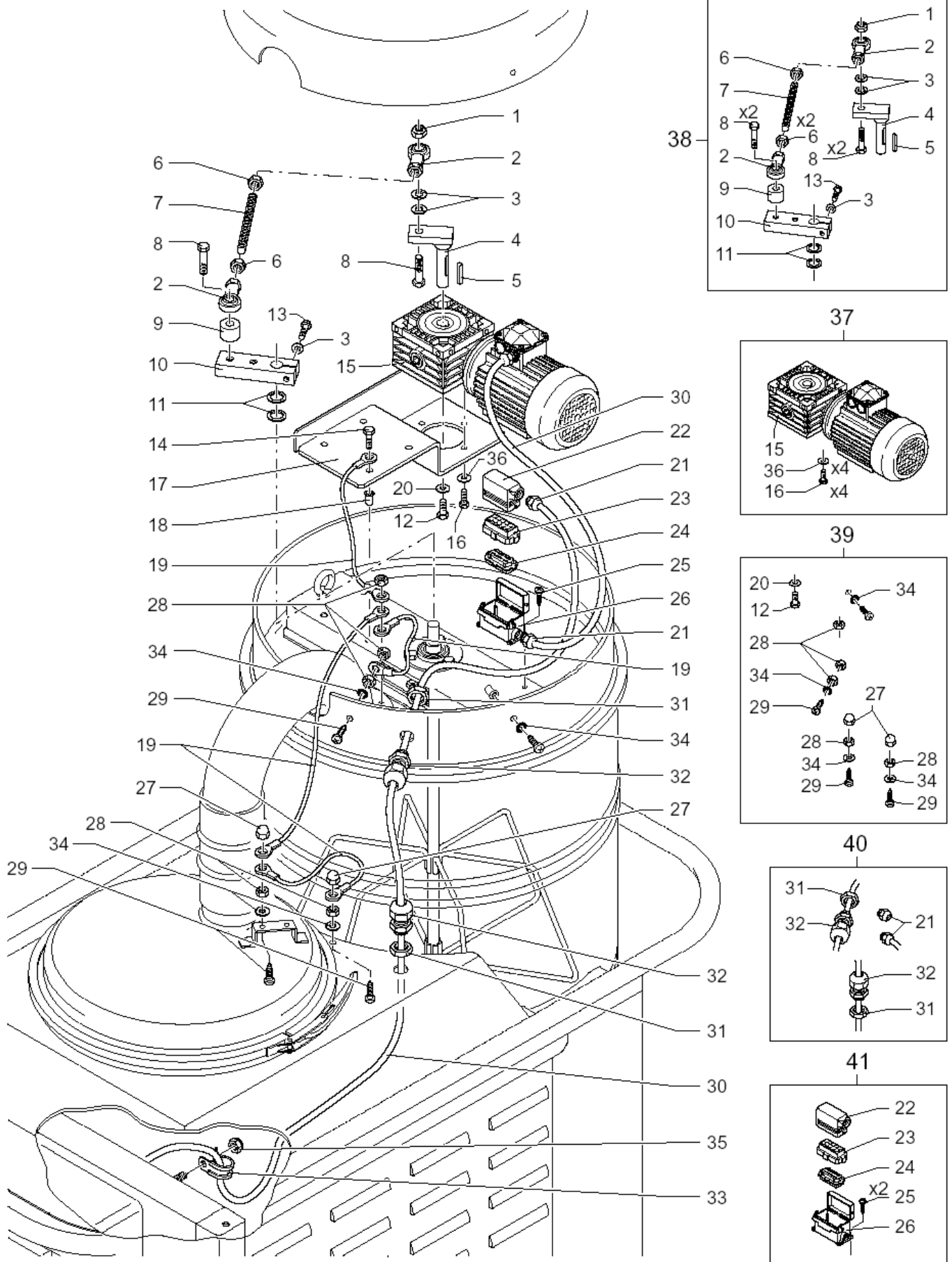
# Electrical filter shaker

IV 055

22-02-2015

Part List ID  
G206315

43



# Electrical filter shaker

IV 055

22-02-2015

Part List ID  
G206315

44

Pos	Part no.	Qty	Description
17	Z8 16280	1	PLATE REDUCER ELECT.SHAKER 3558
19	32400560	1	CABLES. GROUND KIT
30	Z8 39035	3	CABLE 4G1.5 FROR AL M
33	Z8 39981	1	FAIRLEAD RUBBERISED D16
37	32401019	1	GEARMOTOR. COMPLETE KIT
38	32401020	1	SHAKER ASSEMBLY.COMPOSITE
39	32401021	1	SCREWS.SET X F.SHAKER IV055/075/110/150
40	32400796	1	CABLE GLANDS.KITIV022/040
41	32400794	1	CONNECTOR.ELETTR.KIT

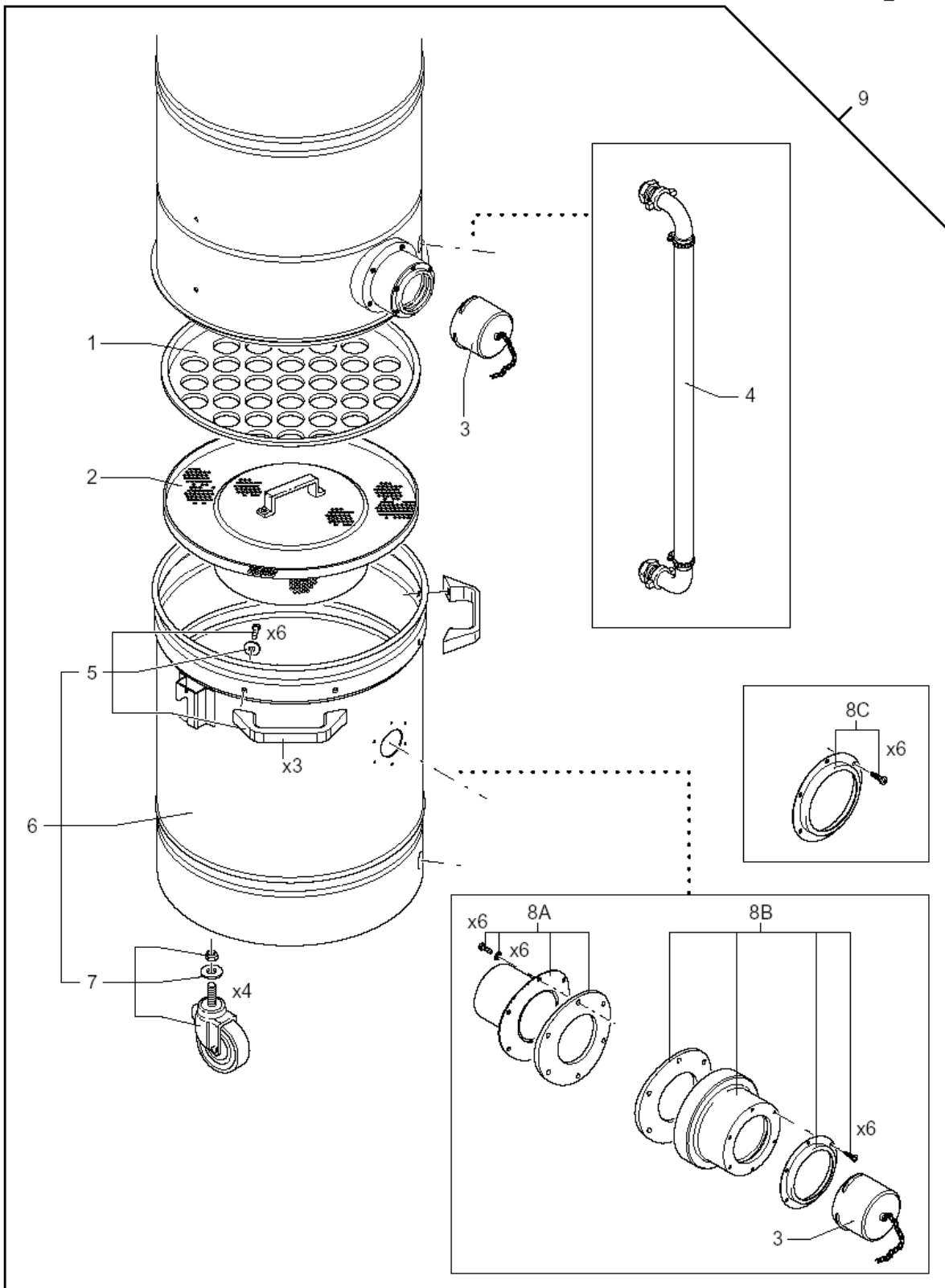
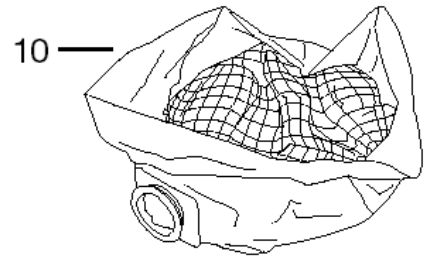
# Safe bag system

IV 055

22-02-2015

Part List ID  
G206317

45



# Safe bag system

IV 055

22-02-2015

Part List ID  
G206317

46

Pos	Part no.	Qty	Description
1	32400570	1	GRID .SUPERIOR
2	Z8 31231	1	CONTAINER GRID D560 FE
3	L04003200	2	BLIND SHUTTER Ø 50 MM
4	32400571	1	PIPE.DEPRESSOR
5	32400333	3	HANDLE.KIT FOR CONTAINER
6	32400890	1	CONTAINER.KIT COMPLETE IV055
7	32400889	4	WHEELS.KIT CONTAINER IV055/075/110/150
9	32400516	1	BAG.SAFE SYSTEM KIT IV055
10	L03034200	1	DUST SAFE BAG SYSTEM 1PC
8A	32400933	1	HOOK.KIT COMPLETE FOR 32400516 -
8B	32400934	1	INLET.KIT COMPLETE FOR 32400516 -
8C	32400935	1	BAYONET.KIT COMPLETE FOR 32400516 -

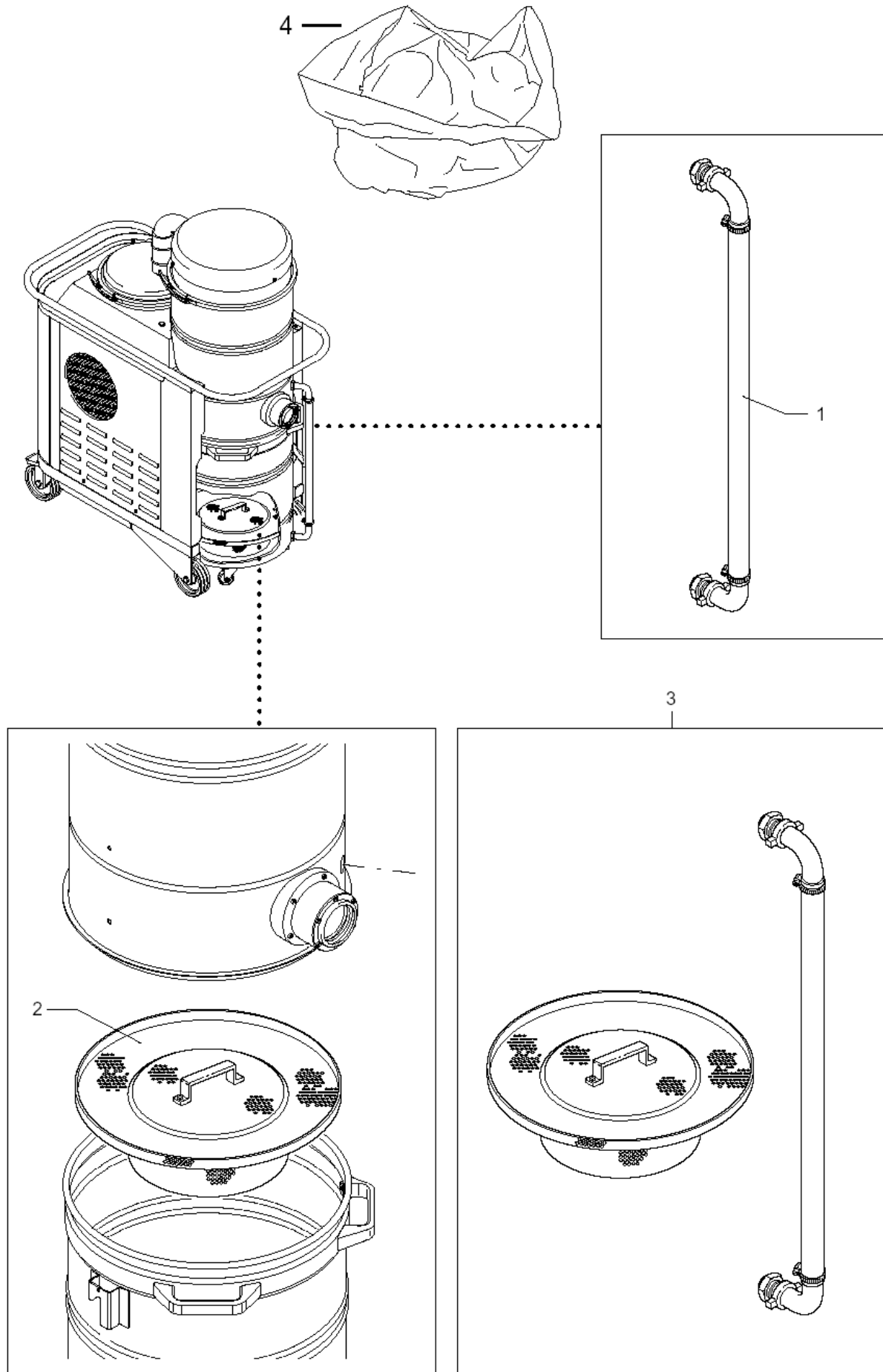
# Plastic bag system

IV 055

22-02-2015

Part List ID  
G206319

47



# Plastic bag system

IV 055

22-02-2015

Part List ID  
GZ06319

48

Pos	Part no.	Qty	Description
1	32400571	1	PIPE.DEPRESSOR
2	Z8 31231	1	CONTAINER GRID D560 FE
3	32400517	1	BAG.PLASTIC KIT MOD.IV055-075-110-150
4	82366400	1	PLASTIC BAGS KLAR 5PCS
4	82366500	1	PLASTIC BAGS BLUE 5PCS
4	82366600	1	PLASTIC BAGS RED 5PCS



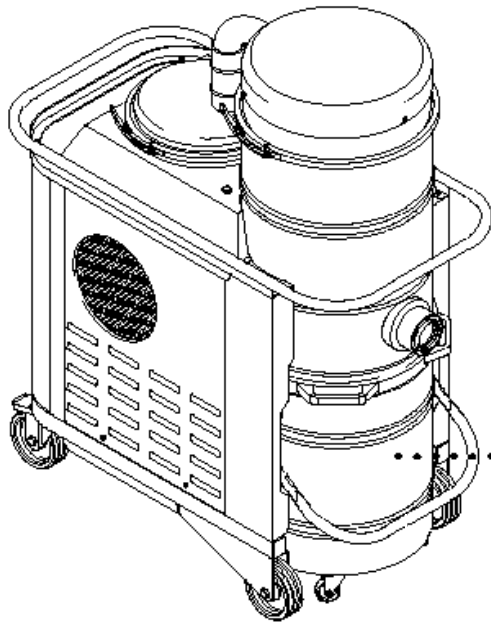
# S.S.Container

IV 055

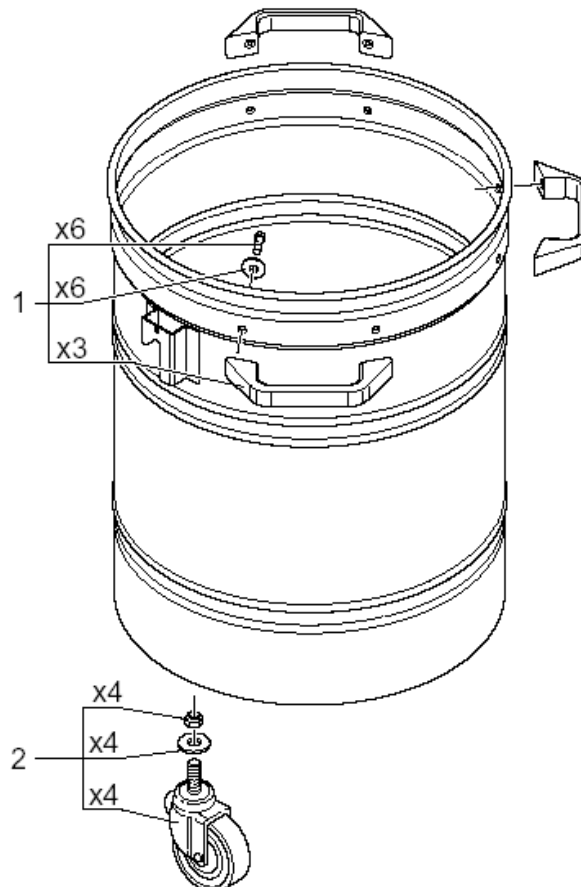
22-02-2015

Part List ID  
G206321

49



3



# S.S.Container

IV 055

22-02-2015

Part List ID  
G206321

50

Pos	Part no.	Qty	Description
1	32400333	3	HANDLE.KIT FOR CONTAINER
2	32400889	4	WHEELS.KIT CONTAINER IV055/075/110/150
3	32400518	1	CONTAINER.INOX KIT IV055

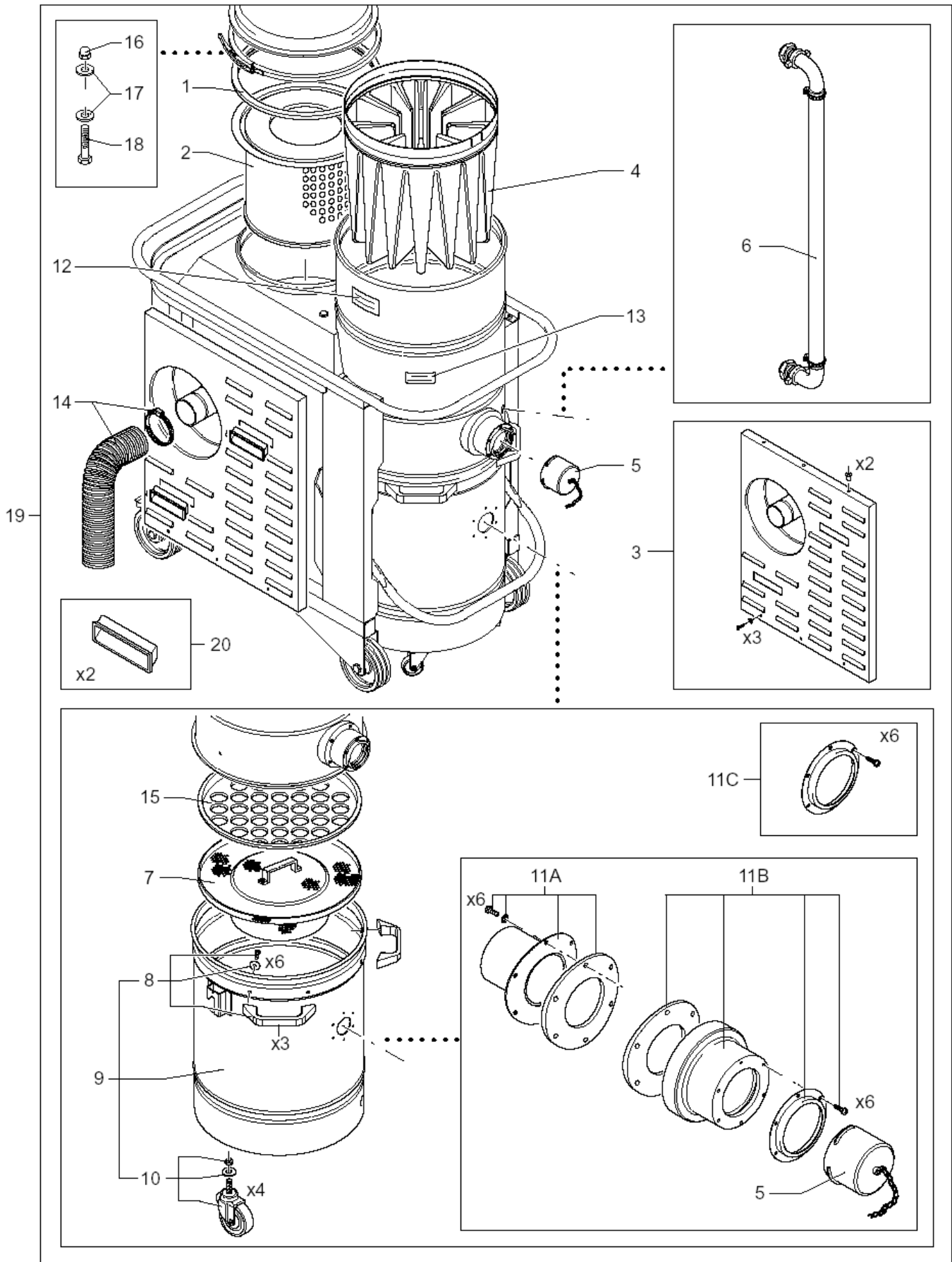
# Asbestos

IV 055

22-02-2015

Part List ID  
G206323

51



# Asbestos

IV 055

22-02-2015

Part List ID  
G206323

52

Pos	Part no.	Qty	Description
1	32400060	1	GASKET.FOR RING D.460
2	32400240	1	FILTER.ABSOLUTE
3	32400937	1	PANEL.WITH PIPE COMPLETE
4	40000755	1	STAR FILTER KIT M CLASS D560
5	L04003200	2	BLIND SHUTTER Ø 50 MM
6	Z5 60225	1	TUBE DEPRESSOR D.19 MOD.3308
7	Z8 31231	1	CONTAINER GRID D560 FE
8	32400333	3	HANDLE.KIT FOR CONTAINER
9	32400890	1	CONTAINER.KIT COMPLETE IV055
10	32400889	4	WHEELS.KIT CONTAINER IV055/075/110/150
12	Z8 17552	1	LABEL CATEGORY H
13	Z8 17573	1	ABSESTOS LABEL KIT
14	32400938	1	HOSE.BLOWING KIT IV055
15	32400570	1	GRID .SUPERIOR
19	32400519	1	ASBESTOS.KIT FOR IV055
20	32400778	2	HANDLE.FOR PANEL KIT COMPLETE
11A	32400933	1	HOOK.KIT COMPLETE FOR 32400516 -
11B	32400934	1	INLET.KIT COMPLETE FOR 32400516 -
11C	32400935	1	BAYONET.KIT COMPLETE FOR 32400516 -

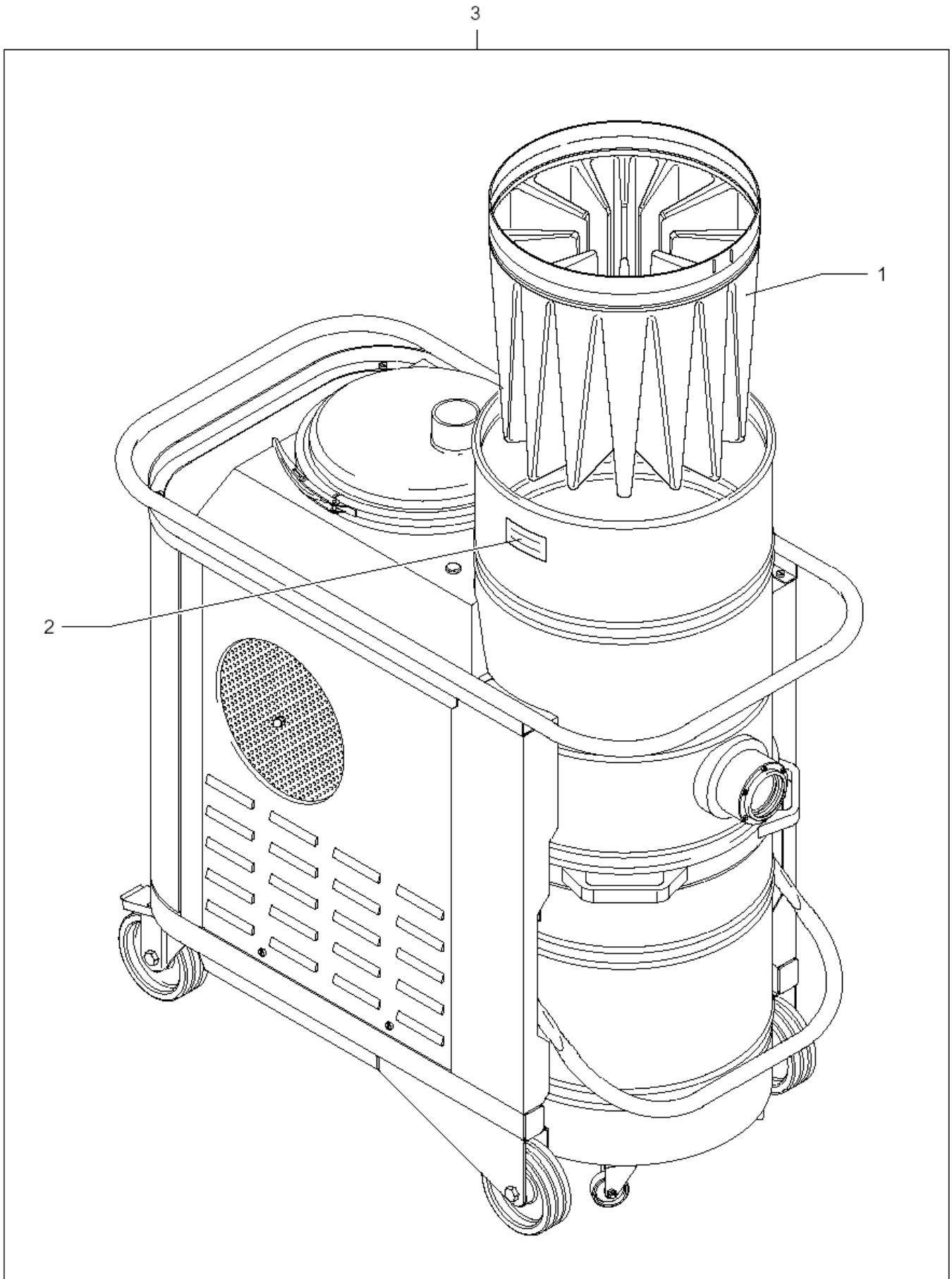
# Class M.

IV 055

22-02-2015

Part List ID  
G206325

53



# Class M.

IV 055

22-02-2015

Part List ID  
G206325

54

Pos	Part no.	Qty	Description
1	40000755	1	STAR FILTER KIT M CLASS D560
2	Z8 17551	1	LABEL CATEGORY M
3	32400523	1	CLASS M.KIT IV055-075-110

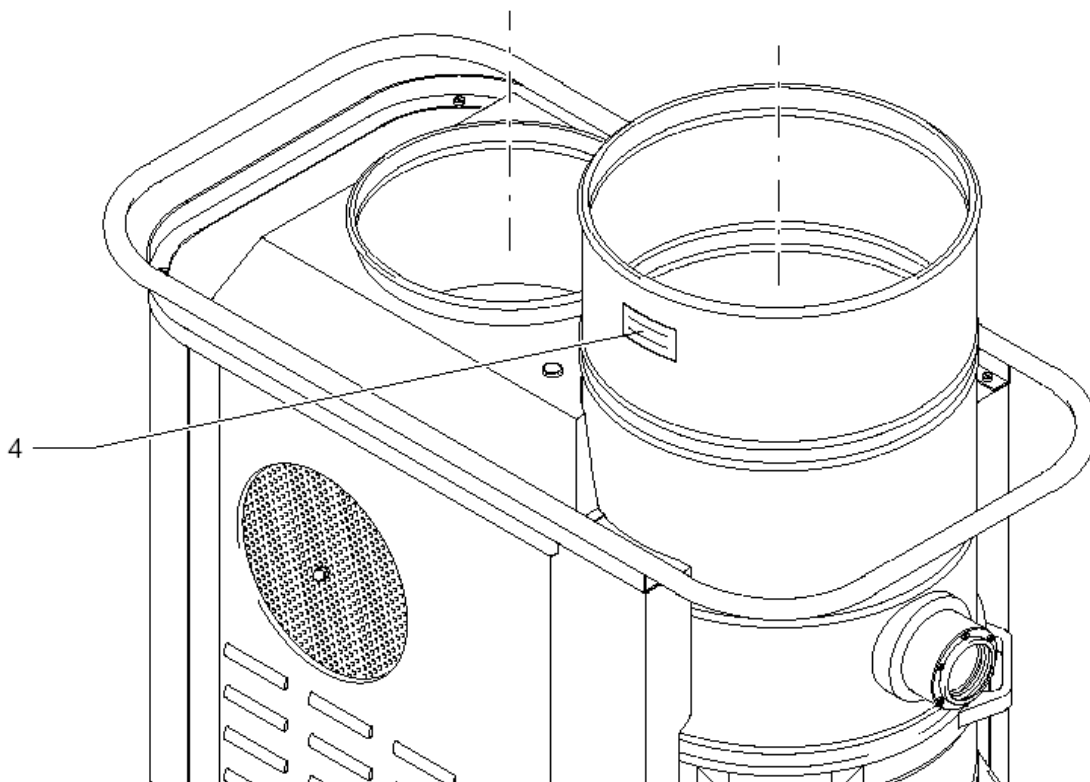
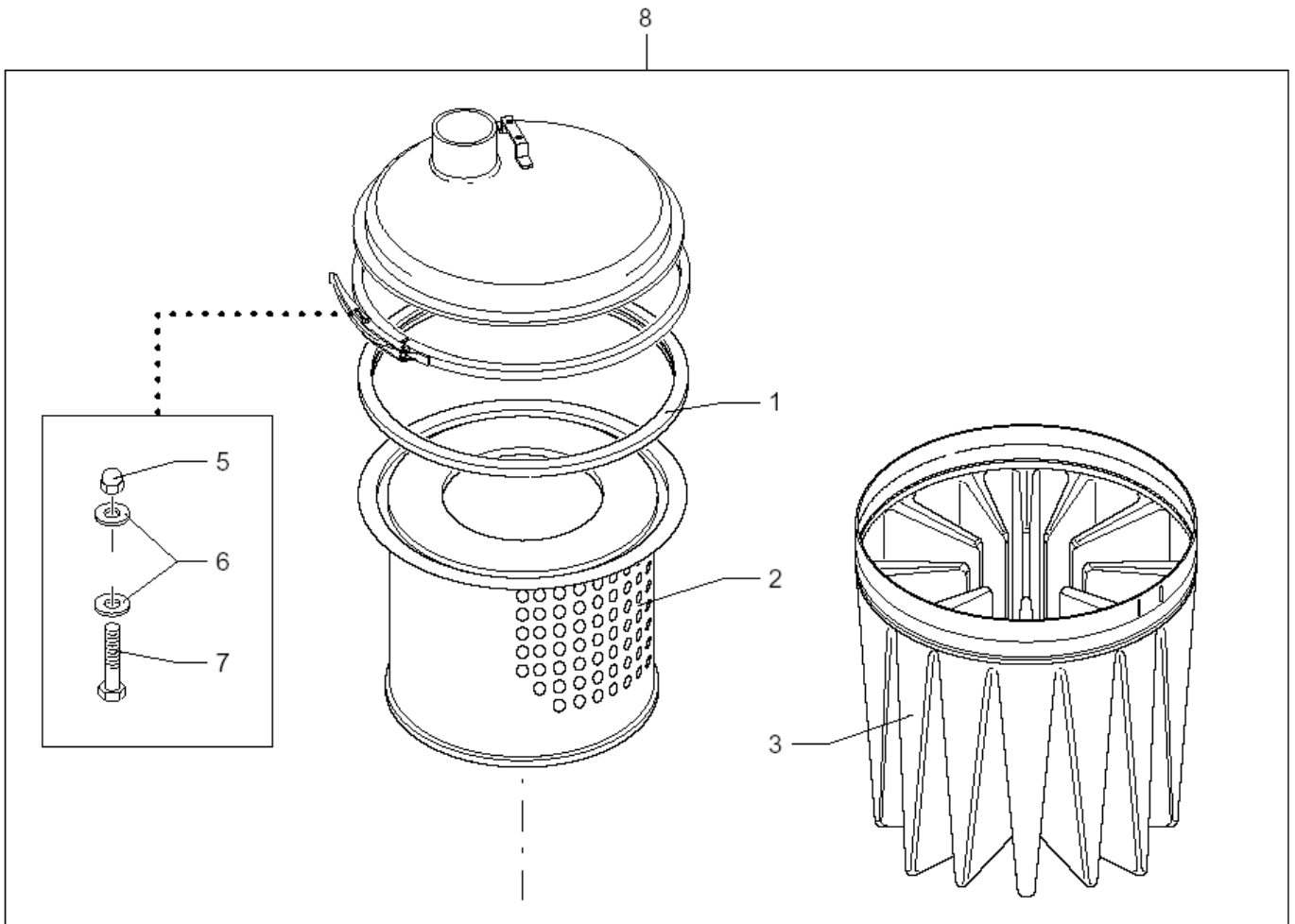
# Class H.

IV 055

22-02-2015

Part List ID  
G206327

55



# Class H.

IV 055

22-02-2015

Part List ID  
G206327

56

Pos	Part no.	Qty	Description
1	32400336	1	GASKET.FOR RING KIT D.460
2	32400240	1	FILTER.ABSOLUTE
3	40000755	1	STAR FILTER KIT M CLASS D560
4	Z8 17552	1	LABEL CATEGORY H
8	32400524	1	CLASS H.KIT IV055-075-110



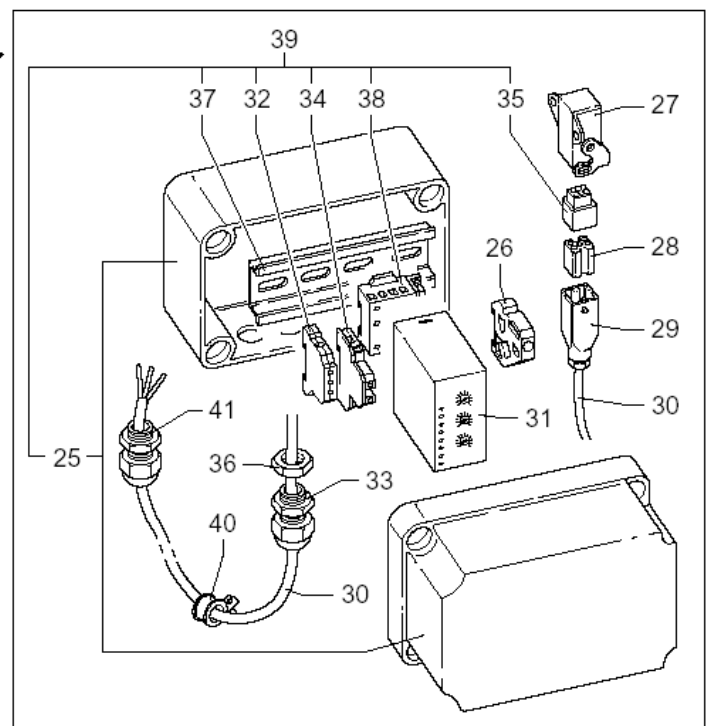
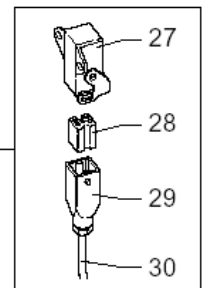
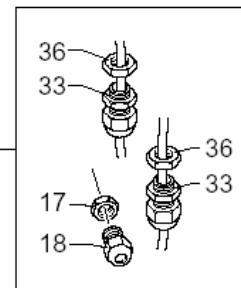
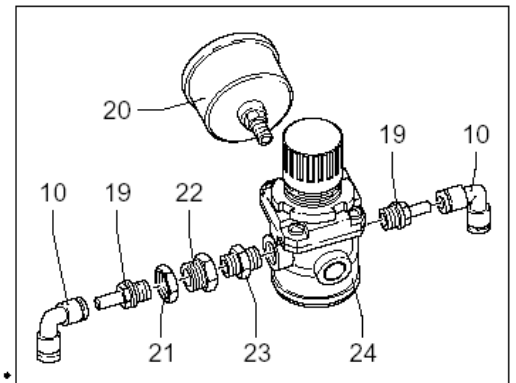
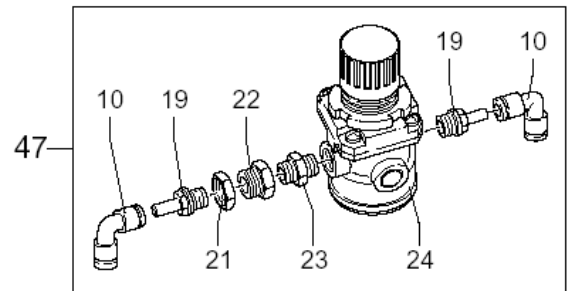
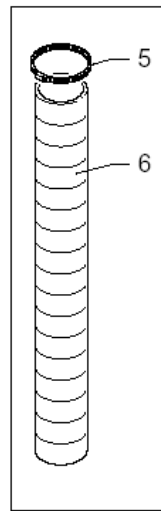
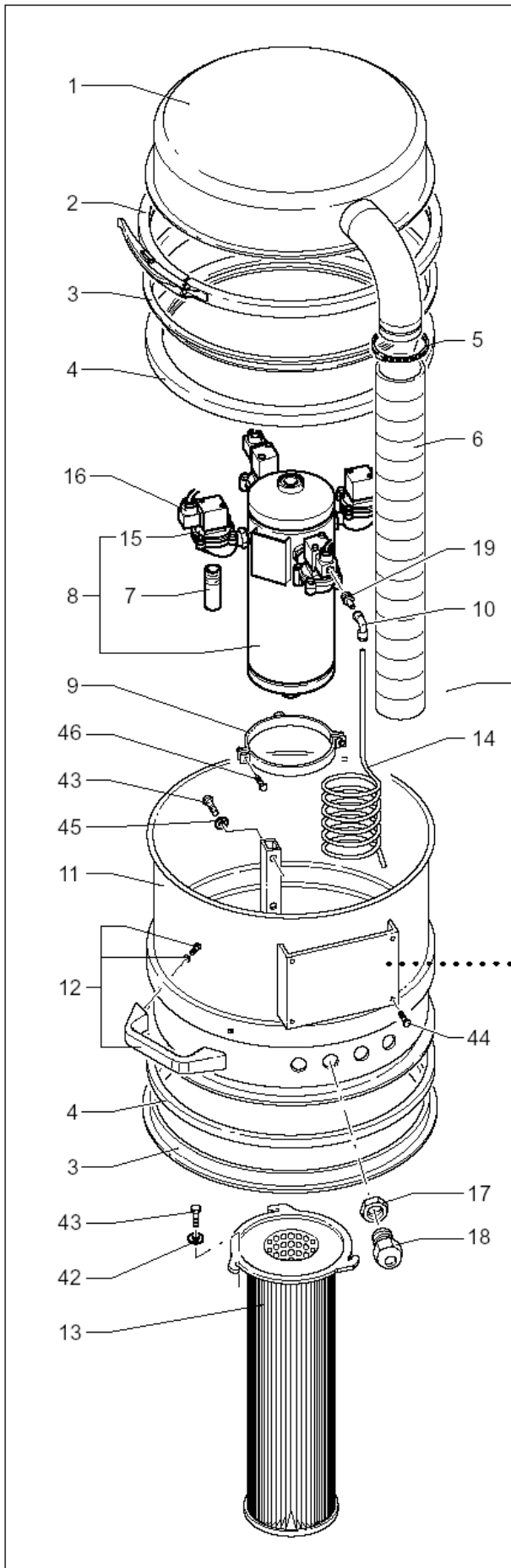
# Cartridge complete

IV 055

22-02-2015

Part List ID  
G206329

57



# Cartridge complete

IV 055

22-02-2015

Part List ID  
G206329

58

Pos	Part no.	Qty	Description
1	32400636	1	CAP.D560
2	32400895	1	CLAMPING BAND.KIT D.560
3	Z8 15005	2	FILTER HOLDER RING D560 FE
4	32400336	2	GASKET.FOR RING KIT D.460
5	Z8 40044	1	TIE D90-120
6	32400239	1	SLEEVE.CATRIDGE KIT
7	Z8 13210	4	NOZZLE 3/4 X 100 KIT CARTR.
8	Z8 30209	1	COMPLETE TANK FOR CHAMBER D560
9	Z8 40562	2	COLLAR D160 TANK KIT 560
11	32400632	1	SIDE
12	32400333	2	HANDLE.KIT FOR CONTAINER
13	Z8 33140	4	FILTER CART.D150X500 MC
14	Z8 24077	1	RILSAN TUBE 6x8 W.SPIRAL ORANGE x D.C.
15	Z8 40330	4	VALVE MECAIR 3/4
16	Z8 39979	4	CABLE 3G1 WITH CONNECTOR FOR TANKS
20	Z8 40098	1	MANOMETER D40 MOD.A17
25	Z8 39232	1	BOX 170x135x145 IP66 BxHxP MOD.317L
30	Z8 39209	3	CABLE 3G1 FROR IN M
31	Z8 391107	1	CYCLIC TIMER 24VAC 4OUT
35	Z8 39345	1	OUTLET INSERT 3P+E GW PLASTIC
39	Z8 41039	1	E.B. KIT CART. D3-460 24VAC IP55
40	Z8 39981	1	FAIRLEAD RUBBERISED D16
41	Z8 39055	1	CABLE GLAND PG16 PA
48	32400802	1	CONNECTOR.KIT COMPLETE CARTRIDGE
49	32400606	1	SET PG.COMPLETE F/KIT CARTRIDGE 32400527
50	32401022	1	SLEEVE.COMPLETE KIT IV055/075/110/150
47A	32400527	1	CARTRIDGE. KIT D.560

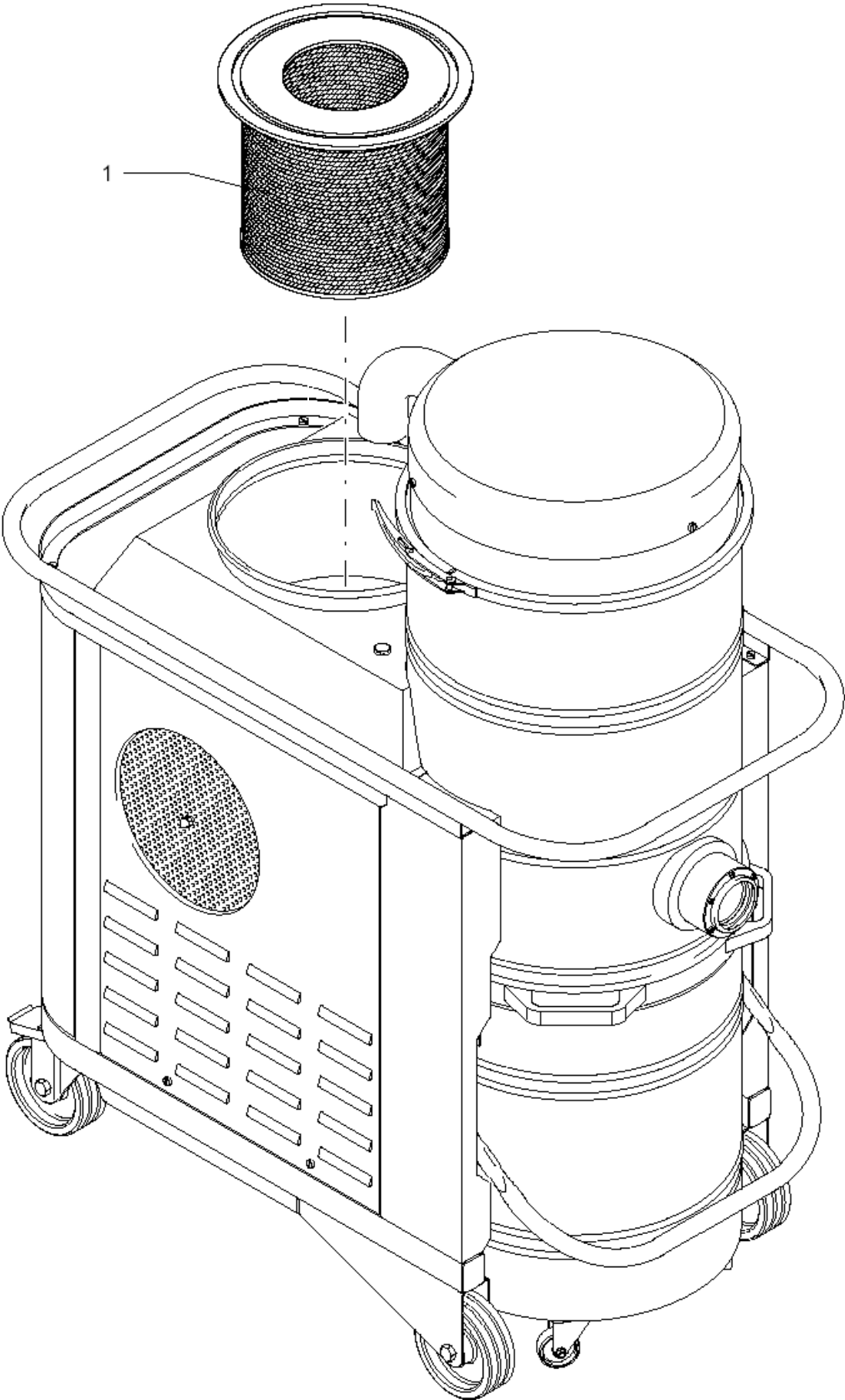
# HEPA Filter

IV 055

22-02-2015

Part List ID G206331

59



# HEPA Filter

IV 055

22-02-2015

Part List ID  
G206331

60

Pos	Part no.	Qty	Description
1	32400240	1	FILTER.ABSOLUTE

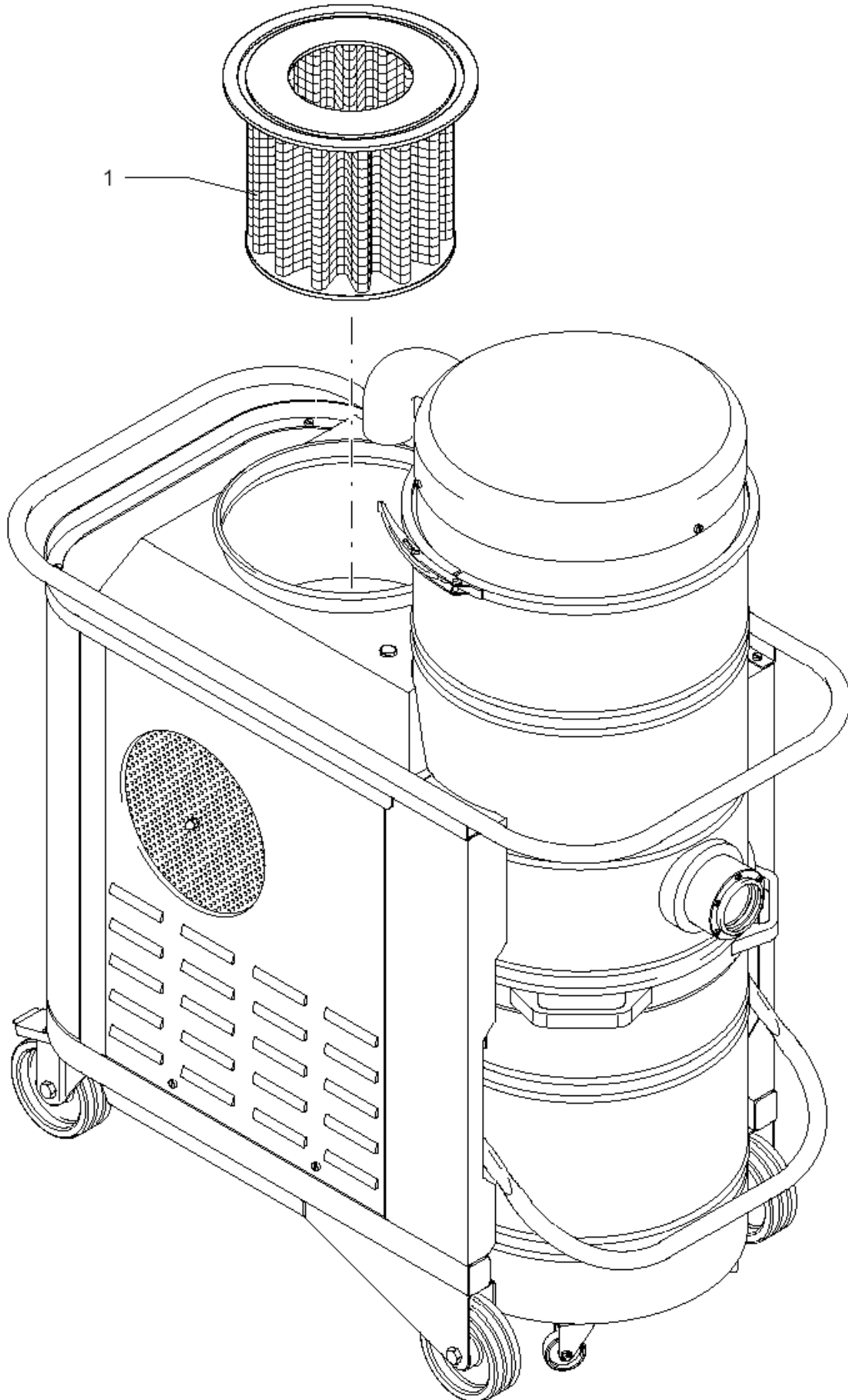
# SAFETY Filter

IV 055

22-02-2015

Part List ID  
G206333

61



# SAFETY Filter

IV 055

22-02-2015

Part List ID  
G206333

62

Pos	Part no.	Qty	Description
1	32400529	1	CARTRIDGE .CLASS G4