

SR 1300 B

Model:
SR 1300 B
SR 1300 B LSB



Part List US-English

28-03-2015

Table of Contents

SR 1300 B

DRAW.C Traction assembly	3
DRAW.E Control pedal and lever	5
DRAW.F Rear cover and filter	7
DRAW.F Rear cover and filter	9
DRAW.G Main brush	11
DRAW.I Side brush	13
DRAW.L Hydraulic system	15
DRAW.M Waste container assembly	17
DRAW.O Accessories	19
DRAW.O Accessories	21
DRAW.O Accessories	23
DRAW.A Frame assembly	25
DRAW.B Front cover assembly	28
DRAW.D Steering assembly	30
DRAW.N Electronic assembly	33

DRAW.C Traction assembly

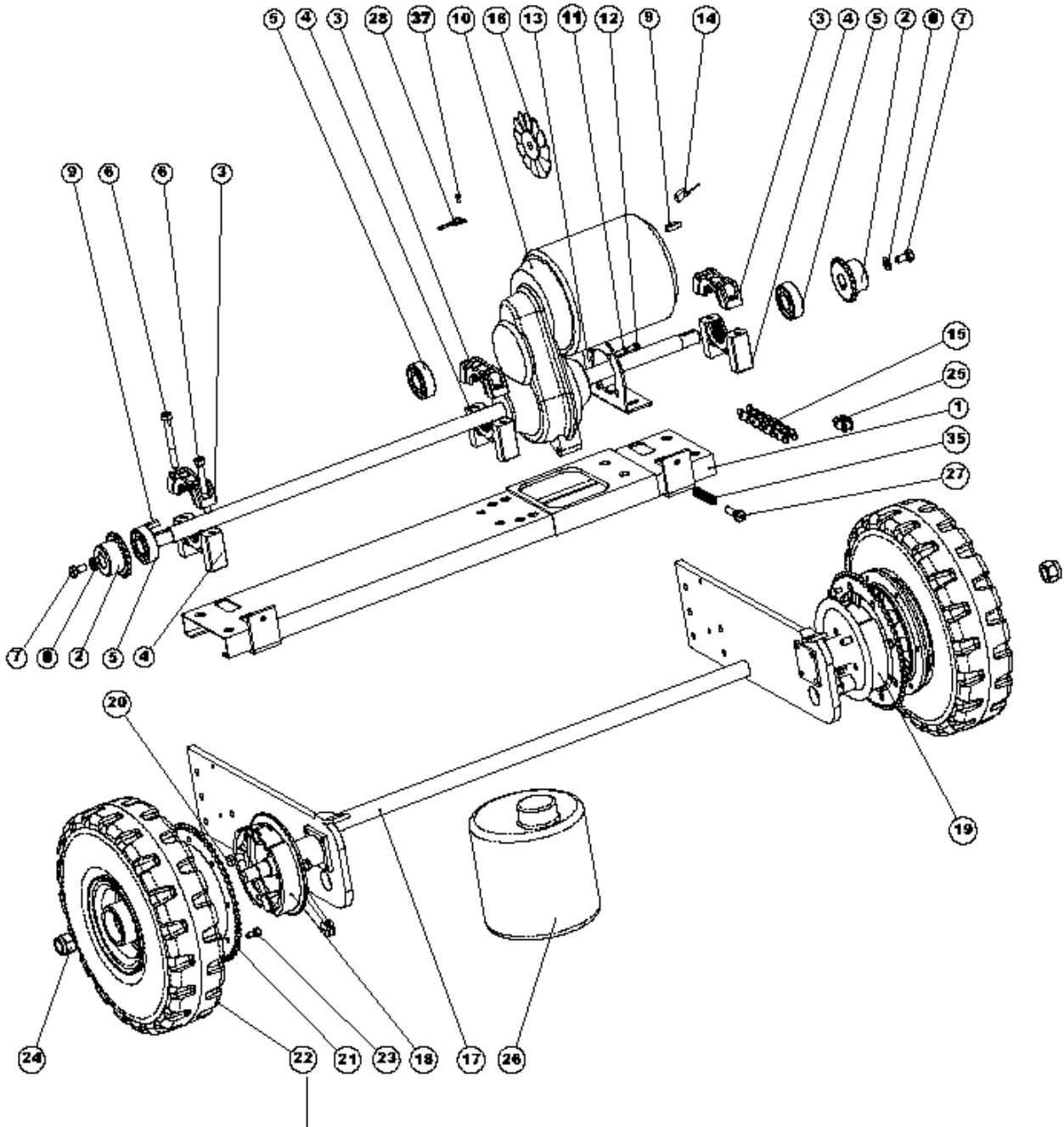
SR 1300 B

28-03-2015

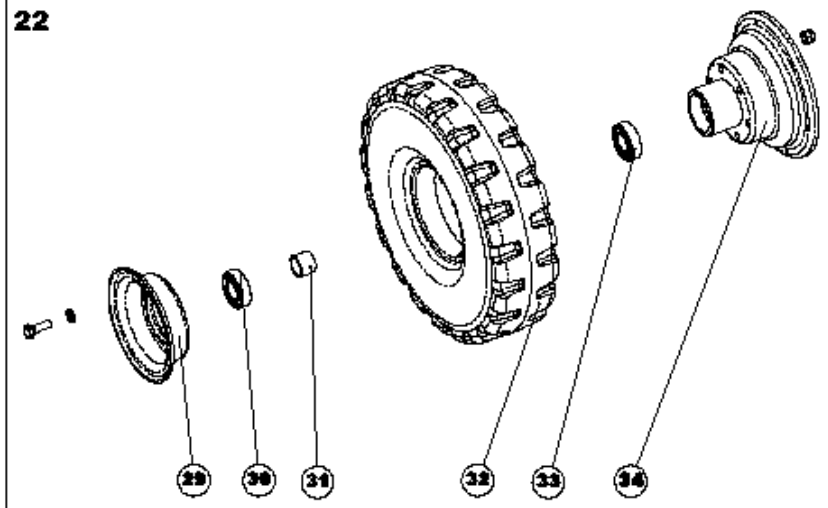
Part List ID

F4615

3



22



DRAW.C Traction assembly

SR 1300 B

28-03-2015

Part List ID

F-4615

4

Pos	Part no.	Qty	Description
0	146 0361 000	1	SCREW 2.9X6.5 SELF HEX HD ISO1479
1	145 5689 000	1	MOTODIFFERENTIAL SUPPORT
2	145 5850 000	1	PINION Z19 3/8
3	145 1977 000	3	SUPPORT BEARING UPPER
4	145 1976 000	3	SUPPORT BEARING LOWER
5	145 1123 000	3	BEARING BALL YAT204
6	33004170	6	SCREW M8X80 CAP HD HEX SOCK SS ISO4762
7	33003993	2	SCREW M8X16 HEX HD F/THD ISO4017
8	33005915	2	WASHER M8 UNI6592
9	145 9776 000	2	KEY 6X6X35 UNI6604A
10	145 5848 000	1	Elec. motor with diff.gea
11	33005912	4	WASHER M5 UNI6592
12	33004332	4	SCREW M5X35 CAP HD HEX SOCK ISO4762
13	145 5954 000	1	BRACKET FOR MOTODIFFERENT
14	L08603949	1	CARBON BRUSHES KIT 4 PCS
15	145 8143 000	2	CHAIN ROLLER 3/8 - 123 PITCHES
17	145 5664 000	1	BACK WHEELS BRIDGE
18	1465125000	1	BRAKING SYSTEM KIT
20	33003993	8	SCREW M8X16 HEX HD F/THD ISO4017
21	145 5692 000	2	CROWN Z60 3/8
22	145 8422 000	2	WHEEL REAR
23	33004343	12	SCREW M6X12 CAP HD HEX SOCK ISO4762
24	145 5744 000	2	NUT SELF L. M16X2 UNI7474
25	145 1410 000	2	CONNECTING LINK PIN 3/8
27	145 5982 000	2	REGISTER SCREW
28	145 5711 000	1	THERMOCOUPLE
29	145 8789 000	2	SEMICIRCLE
30	145 8146 000	2	BEARING BALL 6004 2RS
31	145 8790 000	2	SPACER 20X24X18
32	145 2352 000	2	TYRE WHEEL
33	L08183900	2	BEARING BALL 6204 DDU
34	145 8788 000	2	SEMICIRCLE W/HUB
35	145 6090 000	2	SPRING
36	146 0361 000	1	SCREW 2.9X6.5 SELF HEX HD ISO1479

POSITION 26 NO MORE AVAILABLE

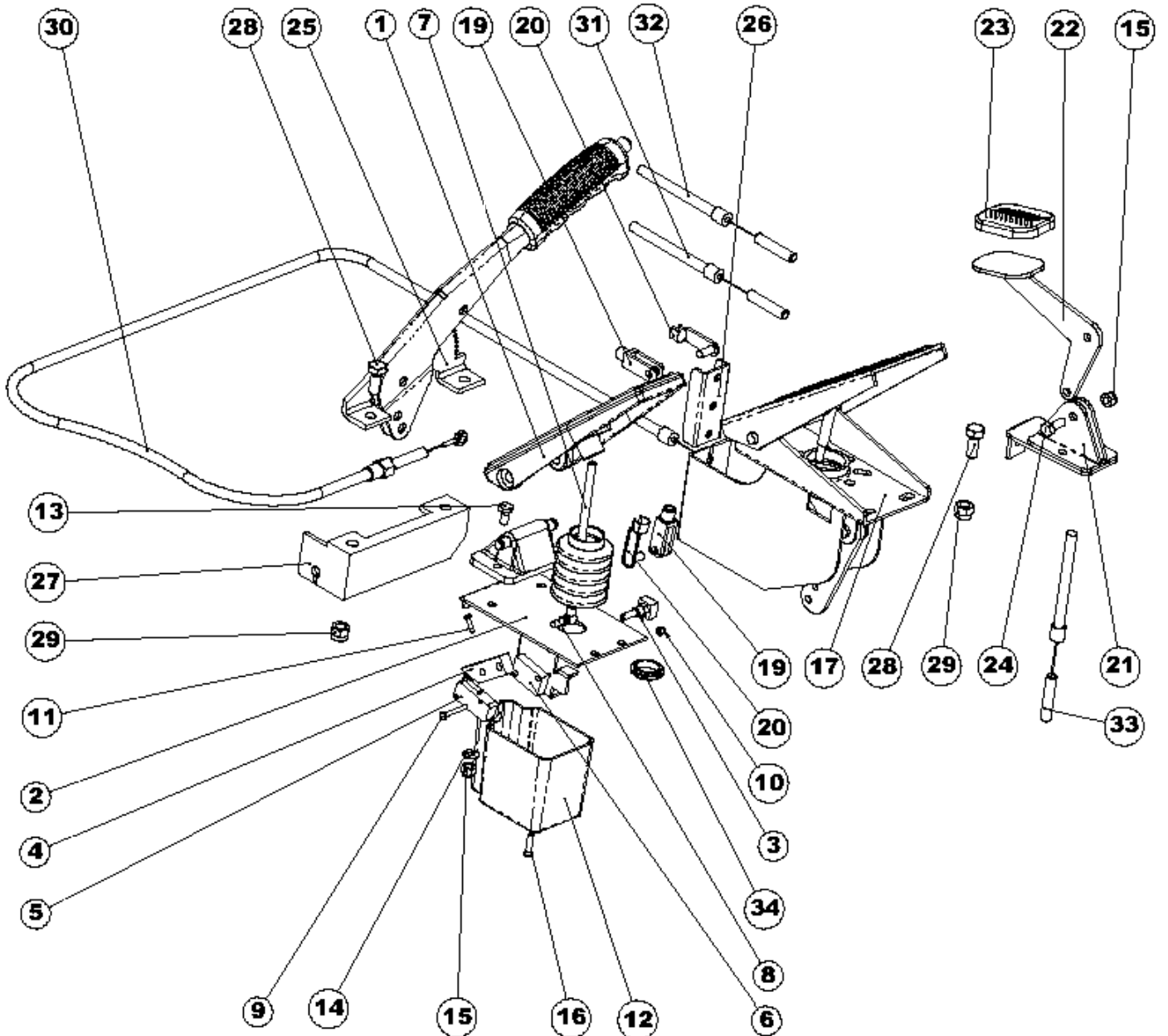
DRAW.E Control pedal and lever

SR 1300 B

28-03-2015

Part List ID
F4619

5



DRAW.E Control pedal and lever

SR 1300 B

28-03-2015

Part List ID

F-4619

6

Pos	Part no.	Qty	Description
1	145 3665 000	1	PEDAL
2	145 1955 000	1	HOLDER CONTROL PEDAL 5110-5120
3	145 0283 000	1	POTENTIOMETER 5K
4	145 2590 000	1	CONNECTING ROD F POTENTIOMETER
5	145 4799 000	1	MICROSWITCH 5A 250V
6	145 4936 000	1	SPACER
7	145 4935 000	1	ROD THREADED M6X48MM
8	145 8479 000	1	BALL JOINT M6 DIN7180
9	145 1162 000	2	SCREW M3X20 HEX HD F/THD ISO4017
10	33005601	2	NUT SELF L. M3 UNI7474
11	33003950	1	SCREW M4X16 HEX HD F/THD ISO4017
12	145 4086 000	1	COVER PEDAL RUBBER
13	33003972	2	SCREW M6X12 HEX HD F/THD ISO4017
14	33005875	2	WASHER M6 UNI6592 SS
15	33005562	3	NUT SELF L. M6 UNI7473
17	145 4885 000	1	BRAKE PEDAL
19	145 9409 000	2	FORK M6
20	145 9410 000	2	CIRCLIP M6
21	145 1839 000	1	SUPPORT PEDAL SKIRT RAISING D
22	145 1841 000	1	PEDAL SKIRT RAIS.DEVICE
23	145 8478 000	1	COVER PEDAL
24	33003975	1	SCREW M6X20 HEX HD F/THD ISO4017
25	145 1783 000	1	LEVER PARKING BRAKE
26	145 4866 000	1	BALANCE
27	145 1956 000	1	PLATE BRAKE PEDAL
28	33005444	5	SCREW M8X20 HEX HD F/THD ISO4017
29	33005565	5	NUT SELF L. M8 UNI7473
30	145 5468 000	1	CABLE BRAKE
31	145 5800 000	1	brake cable with right fo
32	145 5801 000	1	brake cable with left for
33	145 4821 000	1	CABLE SKIRT RAIS. DEVICE
34	145 2589 000	1	WASHER

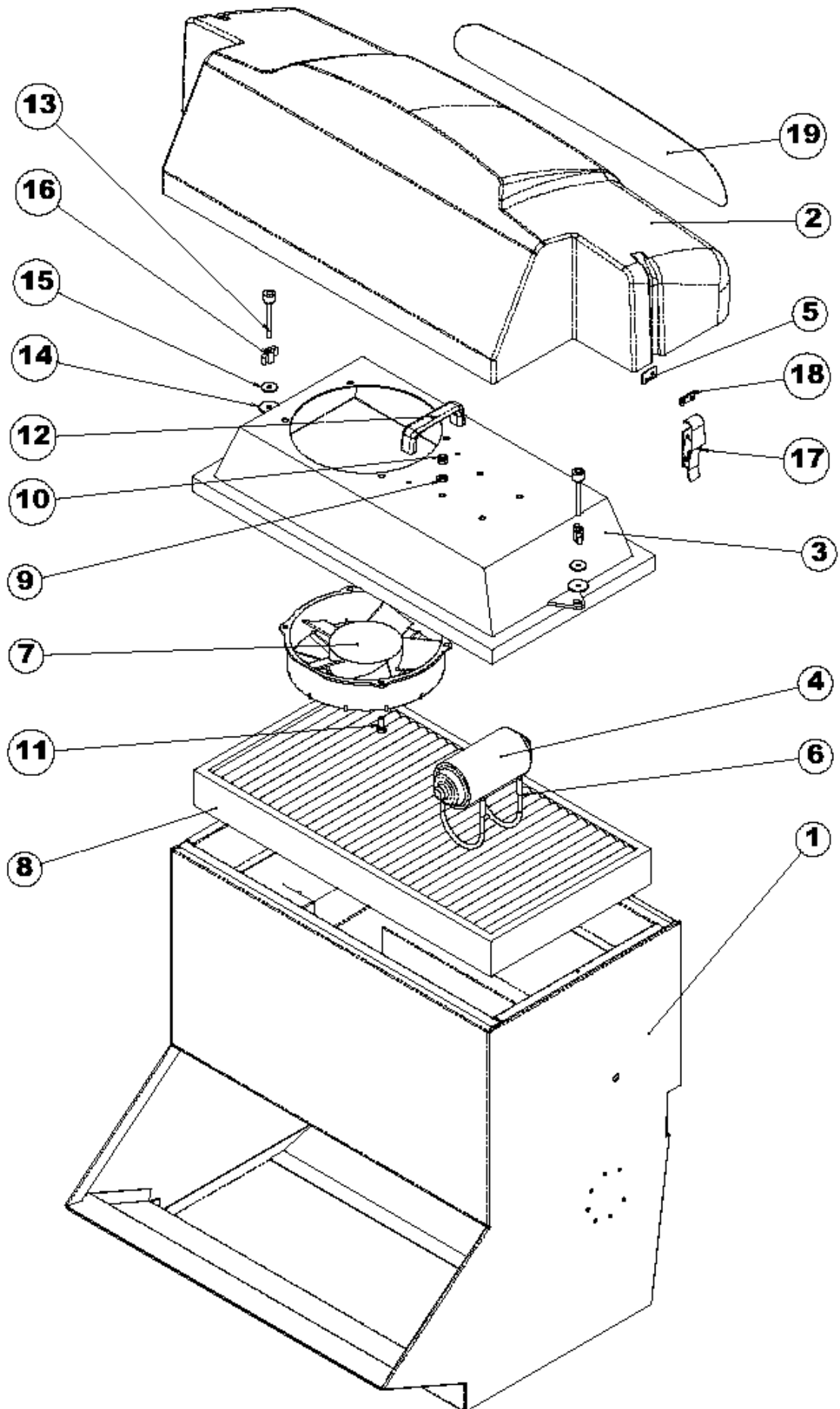
DRAW.F Rear cover and filter

SR 1300 B

28-03-2015

Part List ID
F46111

7



DRAW.F Rear cover and filter

SR 1300 B

28-03-2015

Part List ID

F46111

8

Pos	Part no.	Qty	Description
1	145 5774 000	1	Filter container
2	145 5708 000	1	GREY 7001 COVER CONTAINER
4	145 5539 000	1	MOTOR FILTER SHAKER 90W 24V
5	145 6064 000	1	PLATE
6	145 5979 000	2	COLLAR METAL U M8 RAW
7	145 5029 000	1	FAN ELECTRIC AXIAL 24V
8	1463523000	1	FILTER PAPER PANEL
9	33005915	4	WASHER M8 UNI6592
10	33005565	4	NUT SELF L. M8 UNI7473
11	33005444	4	SCREW M8X20 HEX HD F/THD ISO4017
12	145 8461 000	1	HANDLE
13	145 1354 000	2	KNOB M 6x 65
14	145 4916 000	2	WASHER 5X30X2
15	L08228600	2	WASHER PLAIN 6X18 ISO7093
16	145 0461 000	2	NUT WING M6
17	145 5865 000	2	CLOSURE.WASTE CONT.COVER
18	145 5866 000	2	HOOK.WASTE CONT.COVER
19	145 5836 000	1	PROTECTION WIRE-NET

DRAW.F Rear cover and filter

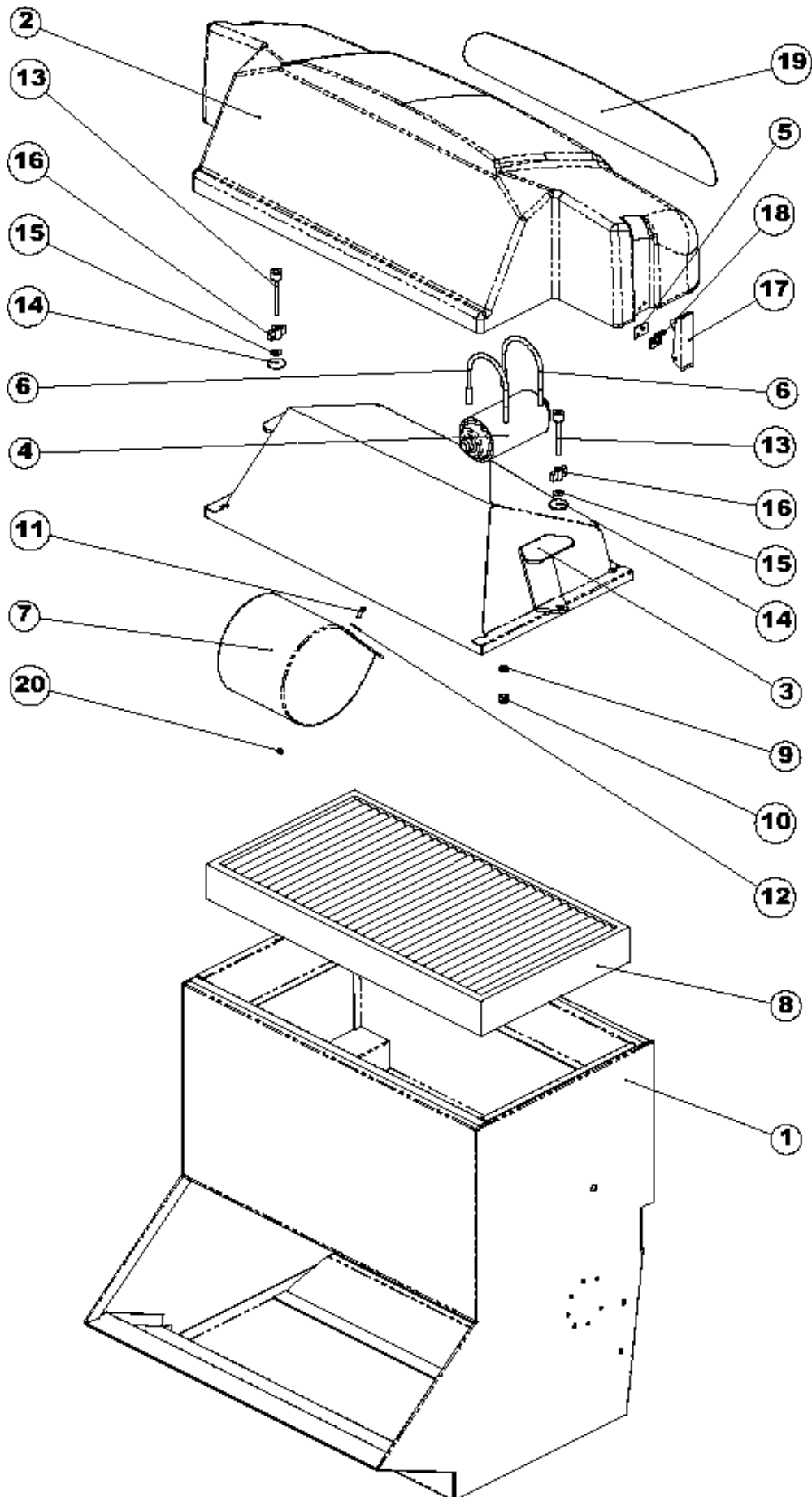
SR 1300 B

28-03-2015

Part List ID

F46113

9



DRAW.F Rear cover and filter

SR 1300 B

28-03-2015

Part List ID

F46113

10

Pos	Part no.	Qty	Description
1	145 5774 000	1	Filter container
2	145 5708 000	1	GREY 7001 COVER CONTAINER
3	146 0053 00	1	FRAME.FILTERSHAKER MOTOR
4	145 5539 000	1	MOTOR FILTER SHAKER 90W 24V
5	145 6064 000	1	PLATE
6	1465997000	2	COLLAR METAL U M8 PKD
7	146 0061 00	1	BLOWER CENTRIFUGAL 24V
8	1463523000	1	FILTER PAPER PANEL
9	L08300000	4	WASHER 8X24X2 FLAT ISO7093
10	33005602	4	NUT SELF L. M4 UNI7473
11	33003950	4	SCREW M4X16 HEX HD F/THD ISO4017
12	L08300000	4	WASHER 8X24X2 FLAT ISO7093
13	145 1354 000	2	KNOB M 6x 65
14	145 4916 000	2	WASHER 5X30X2
15	L08228600	2	WASHER PLAIN 6X18 ISO7093
16	145 0461 000	2	NUT WING M6
17	145 5865 000	2	CLOSURE.WASTE CONT.COVER
18	145 5866 000	2	HOOK.WASTE CONT.COVER
19	145 5836 000	1	PROTECTION WIRE-NET
20	33005565	4	NUT SELF L. M8 UNI7473

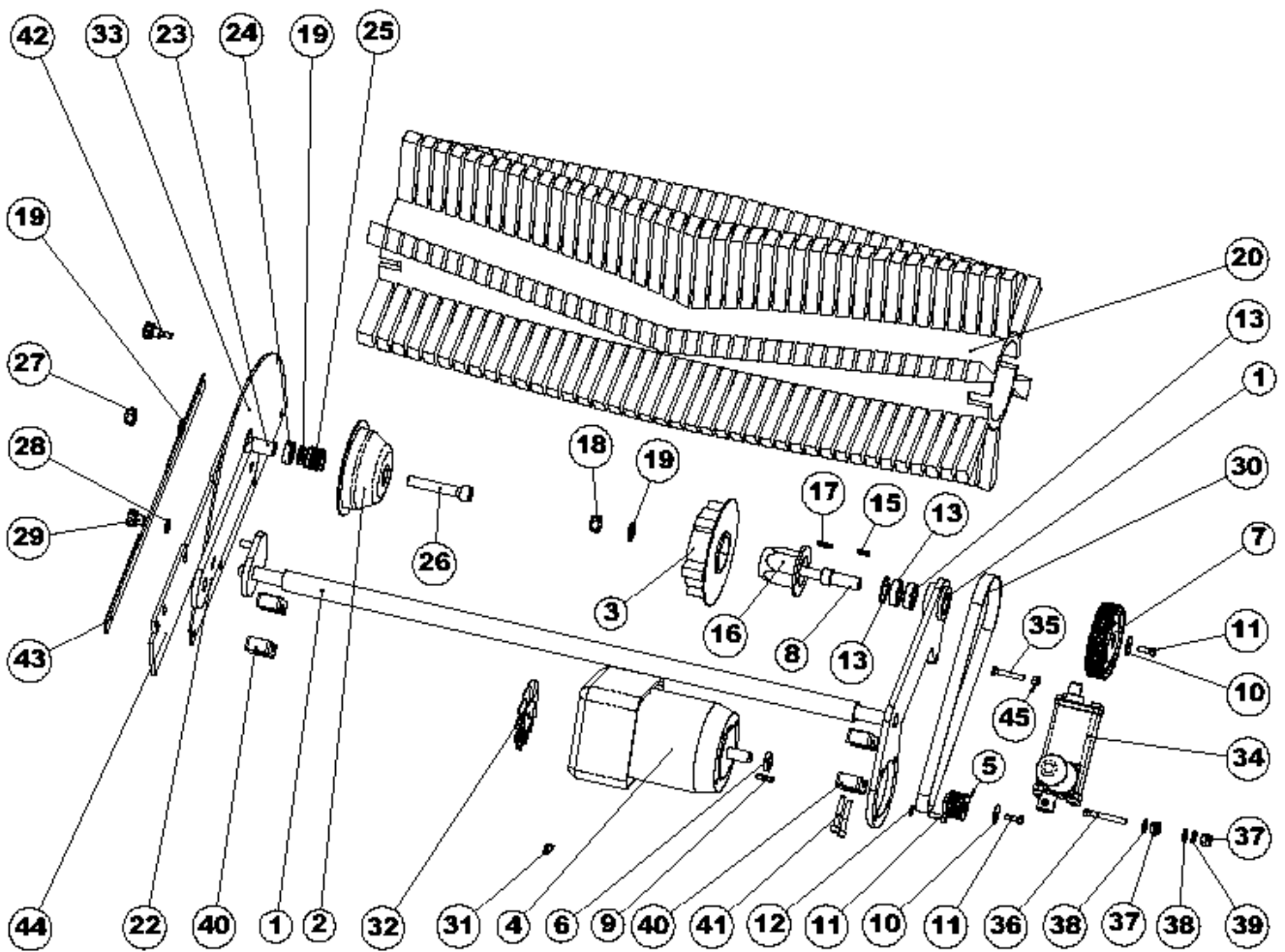
DRAW.G Main brush

SR 1300 B

28-03-2015

Part List ID
F46115

11



DRAW.G Main brush

SR 1300 B

28-03-2015

Part List ID

F-46115

12

Pos	Part no.	Qty	Description	
1	145 5575 000	1	MAIN BRUSH SHAFT	
2	145 0269 000	1	HUB LEFT MAIN BROOM	
3	145 5661 000	1	HUB	
4	145 1775 000	1	MOTOR ELECTRIC 500W 24V	
5	145 1849 000	1	PULLEY HTD 20 5M 15 6F	
6	145 1950 000	1	SPACER 14X23X5	
7	145 1850 000	1	PULLEY HTD 60 5M 15 6W	
8	145 1791 000	1	PIN MAIN BROOM	
9	1466146000	1	KEY 5X5X25 UNI6604A PKD	
10	1466332000	1	WASHER 6X24X2 UNI6593 10 PCS SET	set includes 10 pcs
11	33003975	5	SCREW M6X20 HEX HD F/THD ISO4017	
13	145 8196 000	2	BEARING BALL 6002 2RS	
14	33006162	1	RING D 32 UNI7437	
15	145 8197 000	1	KEY 4X4X20 UNI6604A	
16	1463877000	1	HUB MAIN BROOM	SEE TSB IT 2008-023
17	145 6055 000	1	KEY 4X4X16 UNI6604A	
18	L08601000	1	NUT SELF L. M12 UNI7473	
19	33003720	3	WASHER M12 UNI6592	
20	145 4881 000	1	BROOM MAIN 300X800 CHEVR. 6R PPL 0.7-1.4	
22	145 1845 000	1	LEVER MAIN BROOM	
23	145 2662 000	1	SPACER 12X17X28	
24	145 0270 000	1	BEARING BALL 6001 2RS	
25	145 0271 000	1	SPRING	
26	33004442	1	SCREW M12X60 CAP HD HEX SOCK ISO4762	
27	L08601000	1	NUT SELF L. M12 UNI7473	
28	33005915	1	WASHER M8 UNI6592	
29	145 5035 000	1	KNOB M8	
30	145 1851 000	1	BELT HTD 5M 15 710	
31	1464432000	1	CARBON BRUSHES KIT 4 PCS	
33	145 1827 000	1	HATCH MAIN BROOM	
34	145 5573 000	1	ACTUATOR LINEAR 24V DC STRK 62MM 32MM/S	
35	145 5877 000	1	SCREW M6X40 C/SUNK FLAT HD HEX ISO10642	
36	145 5900 000	1	SCREW M8X55 C/SUNK FLAT HD HEX ISO10642	
37	33005565	2	NUT SELF L. M8 UNI7473	
38	33005915	2	WASHER M8 UNI6592	
39	33005842	2	WASHER M8 UNI1751B	
40	145 1891 000	2	COLLAR PIPE FIXING D.18	
41	33004350	4	SCREW M6X40 CAP HD HEX SOCK ISO4762	
42	1466153000	2	KNOB LOBED M6X15 PKD	
43	145 5929 000	1	PLATE SIDE SKIRT	
44	145 5927 000	1	SKIRT SIDE	
45	33005562	1	NUT SELF L. M6 UNI7473	

POSITION 10 AND 12 ARE THE SAME

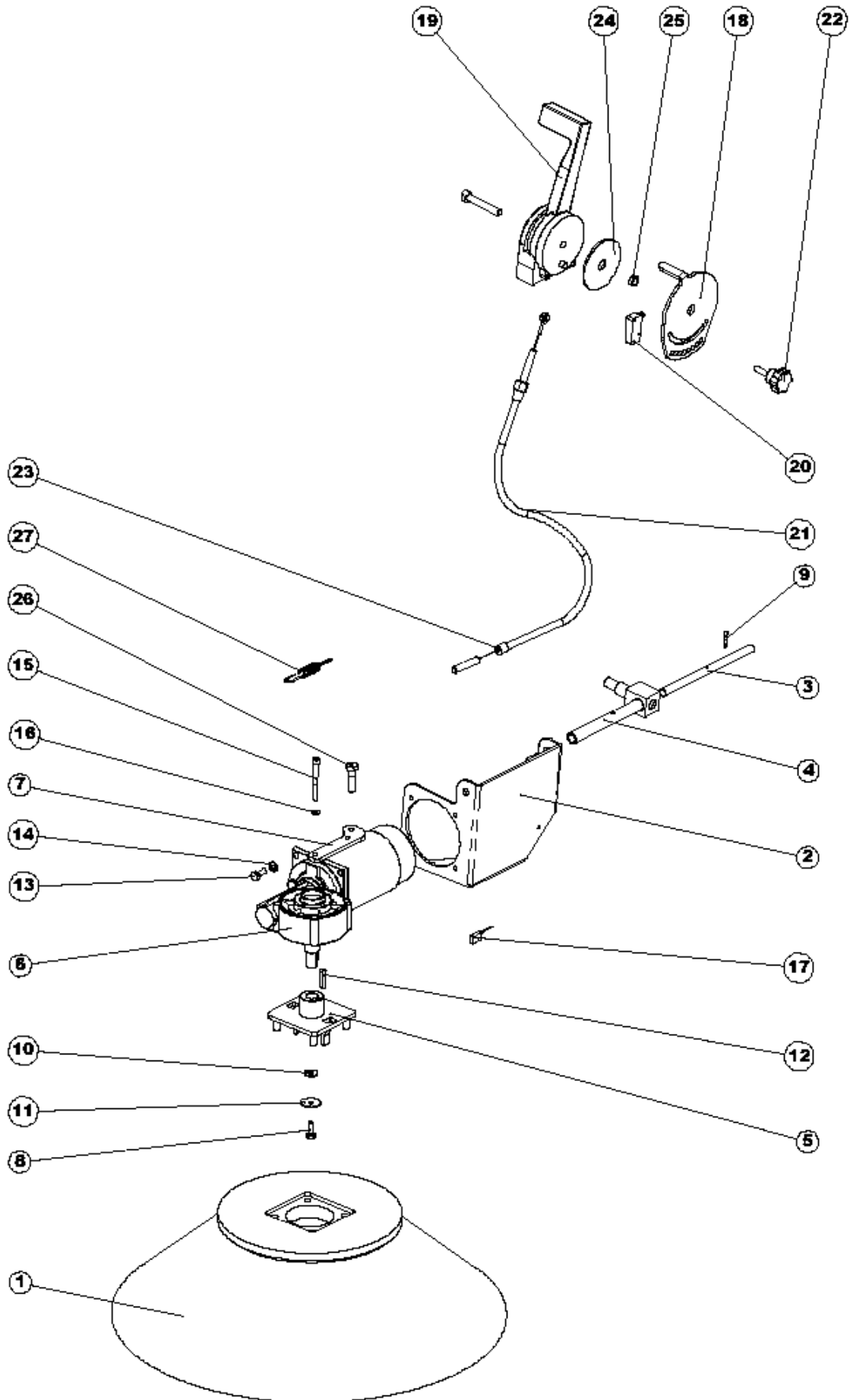
DRAW.I Side brush

SR 1300 B

28-03-2015

Part List ID
F46123

13



DRAW.I Side brush

SR 1300 B

28-03-2015

Part List ID

F-46123

14

Pos	Part no.	Qty	Description
1	145 1900 000	1	BROOM SIDE 250X460 PPL 1.4
2	1463150000	1	SUPPORT RIGHT SIDE BROOM
3	145 1951 000	1	PIN SIDE BROOM
4	145 1792 000	1	PIN SIDE BROOM
5	146 0402 000	1	FLANGE BROOM HOLDING
6	145 1786 000	1	REDUCTION GEARMOTOR 90W 24V RIGHT
7	145 1831 000	1	BRACKET SIDE BROOM GEAR
8	145 1218 000	2	SCREW M6X20 HEX HD F/THD LEFT ISO4017
9	145 9624 000	1	PIN SPLIT 3.2X20 UNI1336
10	145 2644 000	1	BELLEVILLE WASHER 6.2X15X0.5 DIN2093
11	1466332000	1	WASHER 6X24X2 UNI6593 10 PCS SET SET INCLUDES 10 PCS
12	1466146000	1	KEY 5X5X25 UNI6604A PKD
13	33003974	4	SCREW M6X16 HEX HD F/THD ISO4017
14	33005913	4	WASHER M6 UNI6592
15	33004335	2	SCREW M5X50 CAP HD HEX SOCK ISO4762
16	33005912	2	WASHER M5 UNI6592
17	1464434000	1	CARBON BRUSHES KIT 2 PCS
18	145 1988 000	1	RETAINER RIGHT SIDE BROO
19	33003324	1	ACCELERATOR LEVER
20	145 4799 000	1	MICROSWITCH 5A 250V
21	145 8933 000	1	CABLE L1120
22	145 9746 000	1	KNOB M 6X 20
23	145 2390 000	1	BUSH
24	145 1986 000	1	SPACER 12.5X65X1
25	145 1985 000	1	SPACER 8X12X5
26	145 0234 000	1	ADJUSTER
27	145 9184 000	1	SPRING

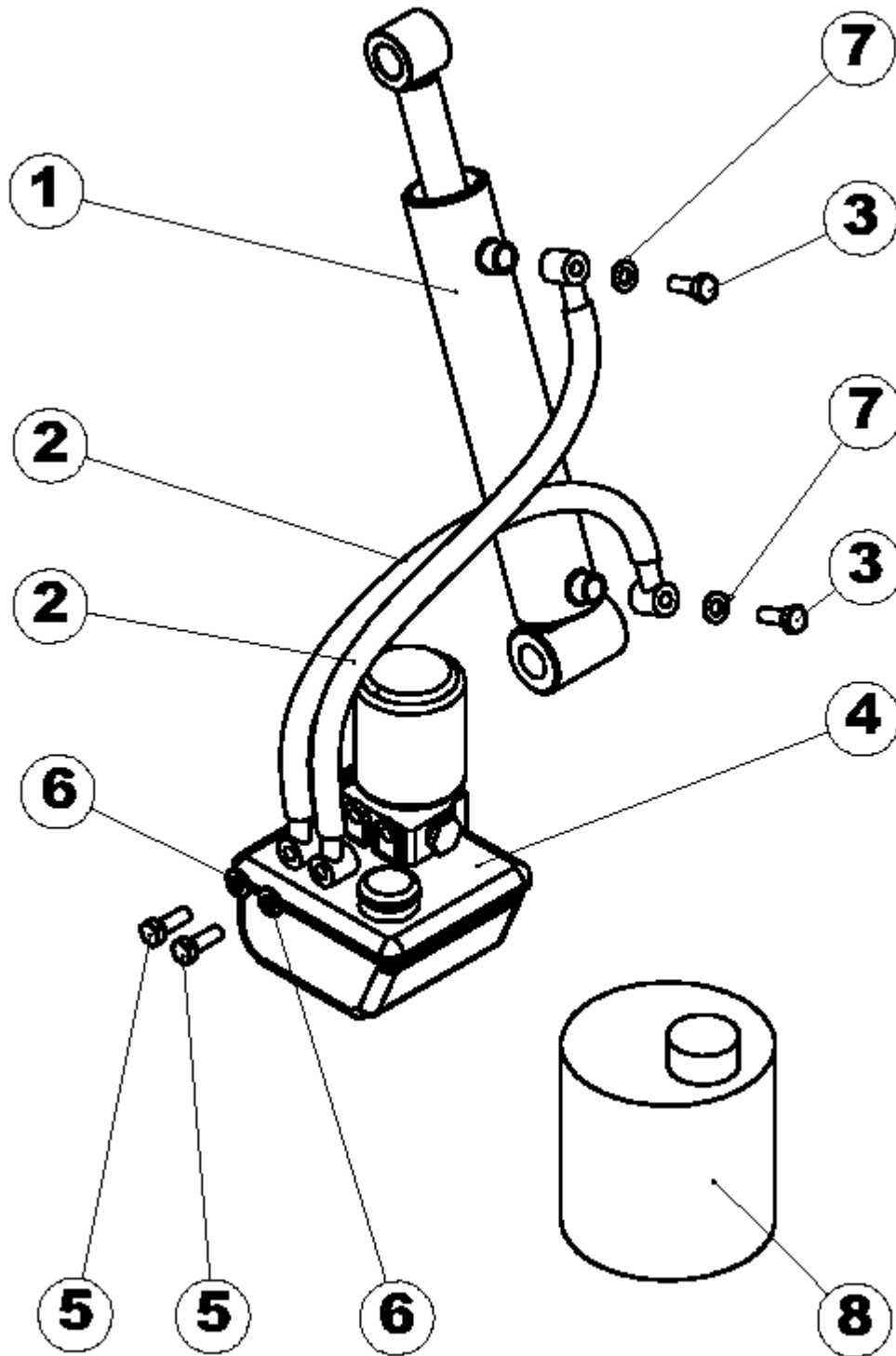
DRAW.L Hydraulic system

SR 1300 B

28-03-2015

Part List ID
F46125

15



DRAW.L Hydraulic system

SR 1300 B

28-03-2015

Part List ID

F-46125

16

Pos	Part no.	Qty	Description
1	145 5654 000	1	HYDRAULIC CYLINDER
2	146 0488 000	2	HOSE
3	146 0093 00	2	BANJO BOLT 1/8 G
4	145 6005 000	1	HYDRAULIC CARD
5	145 6022 000	2	SCREW W/HOLE 3/8
6	145 6020 000	4	WASHER 1/8
7	145 6021 000	4	WASHER 3/8

DRAW.M Waste container assembly

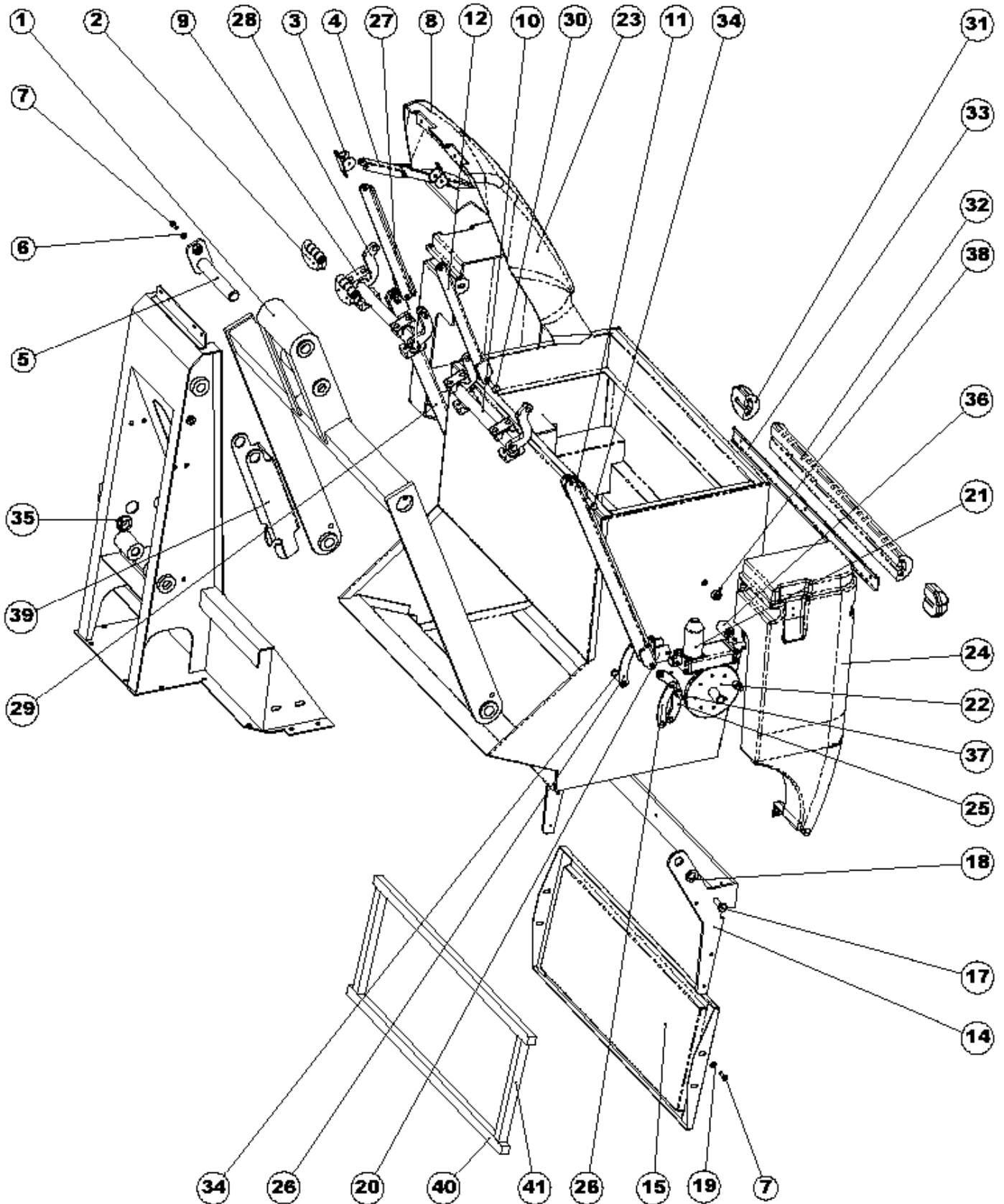
SR 1300 B

28-03-2015

Part List ID

F46127

17



DRAW.M Waste container assembly

SR 1300 B

28-03-2015

Part List ID

F-46127

18

Pos	Part no.	Qty	Description
1	145 5652 000	1	Lif ting arm
2	145 0399 000	2	HINGE
3	145 5657 000	2	HINGE
4	145 5653 000	1	LEVER CONTROL
5	145 5656 000	1	PIN
6	33005913	1	WASHER M6 UNI6592
7	33004578	5	SCREW M6X20 C/SUNK FLAT HD HEX ISO10642
8	145 5660 000	1	Grey 7001 undercover S
9	145 5776 000	4	COLLAR D.25
11	145 5770 000	1	PIN
12	145 5769 000	1	PIN
14	145 5761 000	1	LEVER FOR HACTH CONTAINER
15	145 5775 000	1	Hacth
17	33004009	2	SCREW M10X25 HEX HD F/THD ISO4017
18	33005919	2	WASHER 17X30X3 FLAT ISO 7089
19	33005913	4	WASHER M6 UNI6592
20	145 5788 000	1	JACK BRACKET
21	145 5573 000	1	ACTUATOR LINEAR 24V DC STRK 62MM 32MM/S
22	145 5764 000	2	PIN FOR CONTAINER
23	145 5782 000	1	GREY RIGHT SIDE UNDERCOVE
24	145 5785 000	1	GREY LEFT SIDE UNDERCOVER
25	145 5762 000	2	ARM OF ROTATION
26	145 5763 000	4	Arm
27	145 5766 000	1	PIN
28	145 5768 000	1	SHAFT OF ROTATION DX
29	145 5771 000	1	Pin
30	145 5772 000	4	PIN
31	145 4640 000	2	TRAILING BUMPER 5110-5120
32	145 5778 000	1	rear guard L. 575
33	145 5779 000	1	REAR RUBBER PLATE
34	145 5773 000	2	PIN FOR ARM
35	145 5983 000	2	CABLE GUIDE D.28
36	145 5789 000	1	JACKHOLDER PIN
37	145 5765 000	2	PIN FOR ARM
38	145 5806 000	2	SPACER 12X20X8
39	145 5980 000	1	Bracket for cylinder
41	146 0141 00	2	GASKET
41	146 0142 00	2	GASKET

DRAW.O Accessories

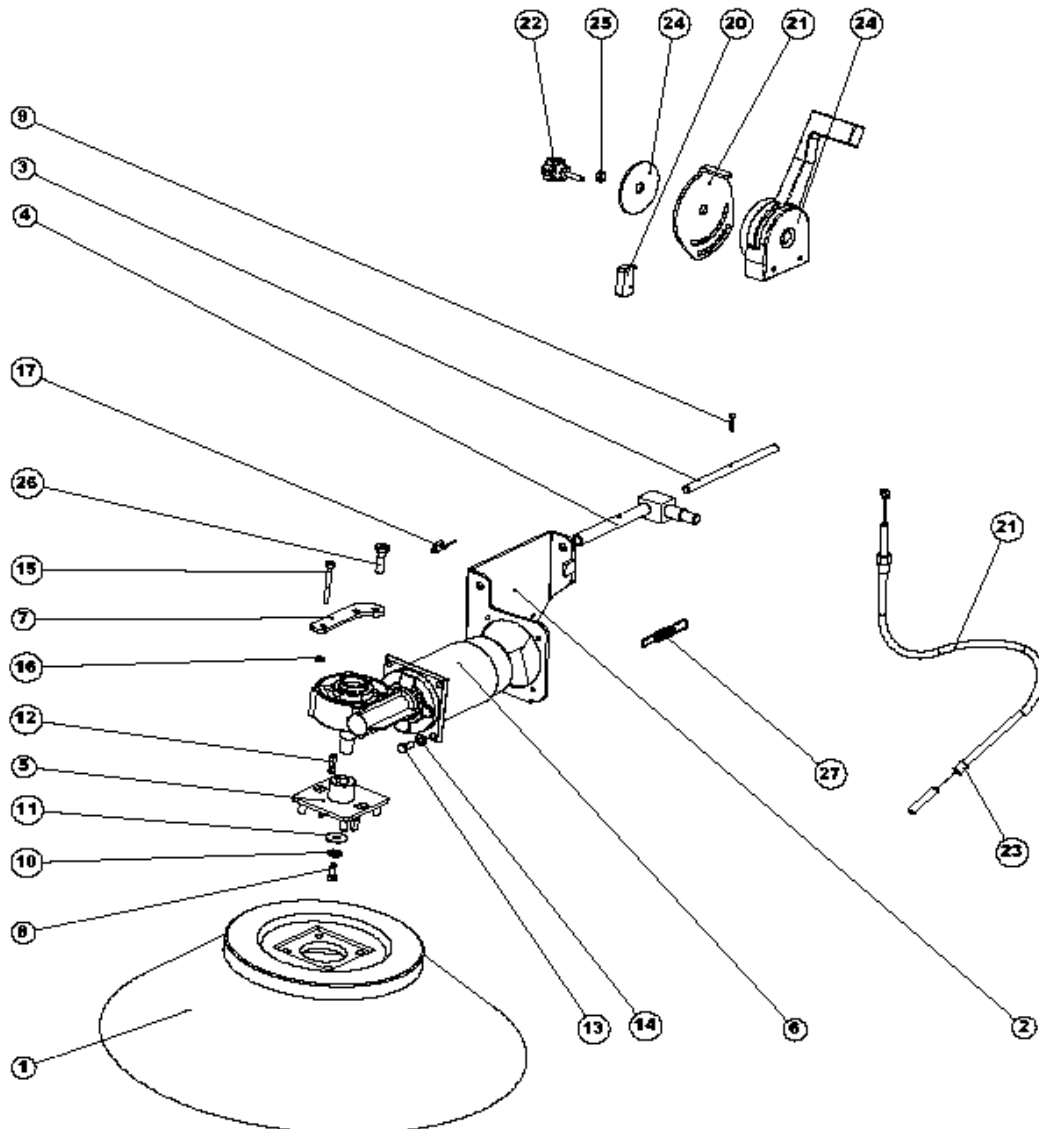
SR 1300 B

28-03-2015

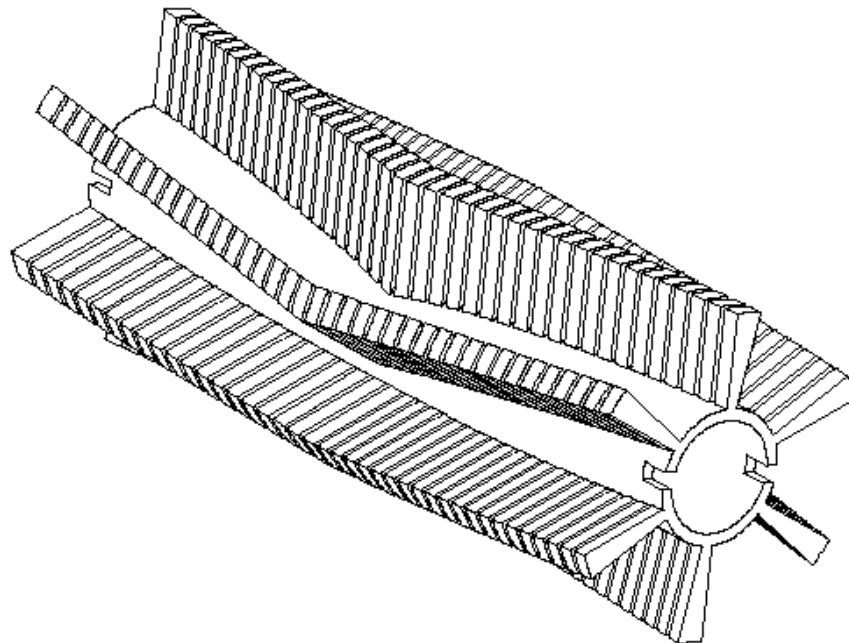
Part List ID
F46131

19

OPT 1: GRUPPO SPAZZOLA LATERALE SX / LEFT SIDE BRUSH



OPT 2: SPAZZOLA CENTRALE / MAIN BRUSH



DRAW.O Accessories

SR 1300 B

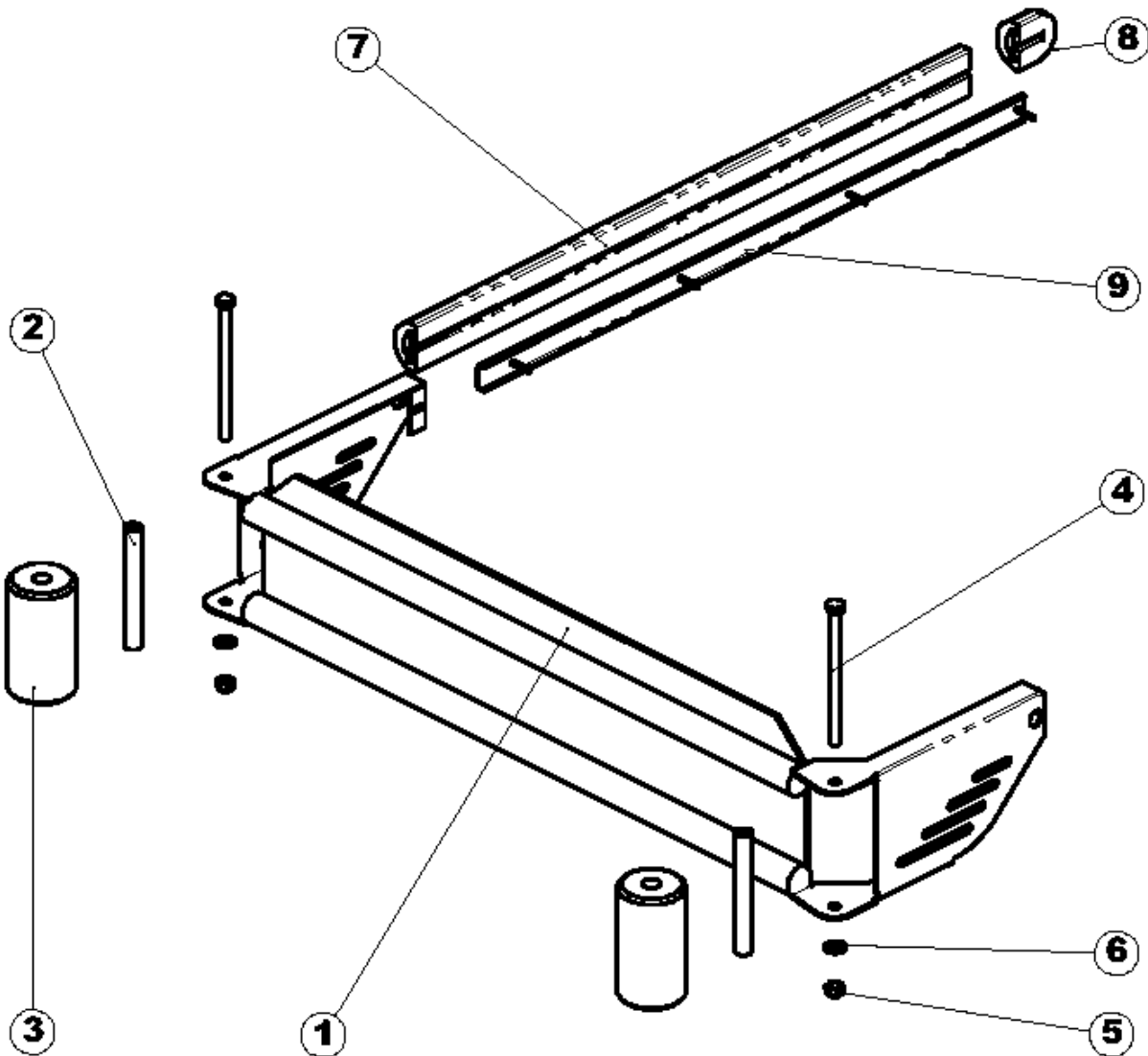
28-03-2015

Part List ID
F46131

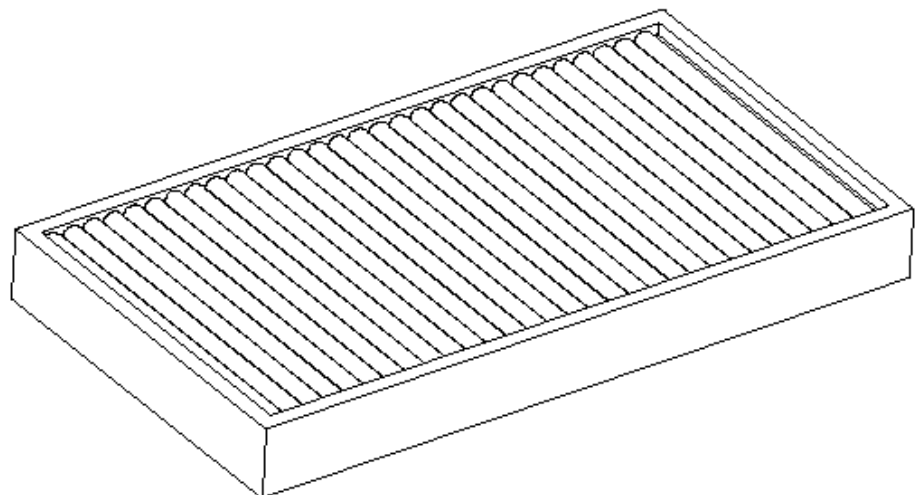
20

Pos	Part no.	Qty	Description
0	145 4881 000	1	BROOM MAIN 300X800 CHEVR. 6R PPL 0.7-1.4
0	145 4963 000	1	BROOM MAIN 300X800 CHEVRON 6R MIX STELL
0	145 4968 000	1	BROOM MAIN 300X800 CHEVRON 6R PPL 0.8
0	145 5892 000	1	SIDE BROOM LEFT KIT
1	145 1900 000	1	BROOM SIDE 250X460 PPL 1.4
1	145 4964 000	1	BROOM SIDE 250X460 MIX STEEL
1	145 4965 000	1	BROOM SIDE 250X460 PPL 0.5
2	1463152000	1	SUPPORT LEFT SIDE BROOM
3	145 1951 000	1	PIN SIDE BROOM
4	145 1792 000	1	PIN SIDE BROOM
5	146 0402 000	1	FLANGE BROOM HOLDING
6	145 1777 000	1	REDUCTION GEARMOTOR 90W 24V LEFT
7	145 1831 000	1	BRACKET SIDE BROOM GEAR
8	145 1218 000	2	SCREW M6X20 HEX HD F/THD LEFT ISO4017
9	145 9624 000	1	PIN SPLIT 3.2X20 UNI1336
10	145 2644 000	1	BELLEVILLE WASHER 6.2X15X0.5 DIN2093
11	1466332000	1	WASHER 6X24X2 UNI6593 10 PCS SET SET INCLUDES 10 PCS
12	1466146000	1	KEY 5X5X25 UNI6604A PKD
13	33003974	4	SCREW M6X16 HEX HD F/THD ISO4017
14	33005913	4	WASHER M6 UNI6592
15	33004335	2	SCREW M5X50 CAP HD HEX SOCK ISO4762
16	33005912	2	WASHER M5 UNI6592
17	1464434000	1	CARBON BRUSHES KIT 2 PCS
18	145 1987 000	1	RETAINER LEFT SIDE BROOM
19	33003324	1	ACCELERATOR LEVER
20	145 4799 000	1	MICROSWITCH 5A 250V
21	145 8933 000	1	CABLE L1120
22	145 9746 000	1	KNOB M 6X 20
23	145 2390 000	1	BUSH
24	145 1986 000	1	SPACER 12.5X65X1
25	145 1985 000	1	SPACER 8X12X5
26	145 0234 000	1	ADJUSTER
27	145 9184 000	1	SPRING

OPT 3: GRUPPO PARAURTI ANTERIORE / FRONT BUMPER KIT



OPT 4: FILTRO IN POLIESTERE / POLYESTER FILTER



DRAW.O Accessories

SR 1300 B

28-03-2015

Part List ID

F-46133

22

Pos	Part no.	Qty	Description
0	145 5904 000	1	Front roller bumper assem
0	145 6013 000	1	FILTER POLYESTER ANTISTATIC
1	145 5713 000	1	MOUNTING BRACKET
2	145 5628 000	2	BUMPING ROLLER PIN
3	145 5627 000	2	BUMPING ROLLER
4	145 5626 000	2	SCREW M12X180 HEX HD P/THD ISO4014
5	L08601000	2	NUT SELF L. M12 UNI7473
6	33003720	2	WASHER M12 UNI6592
7	145 5967 000	2	SIDE GUARD L 835
8	145 4640 000	2	TRAILING BUMPER 5110-5120
9	145 5968 000	2	SIDE RUBBER PLATE

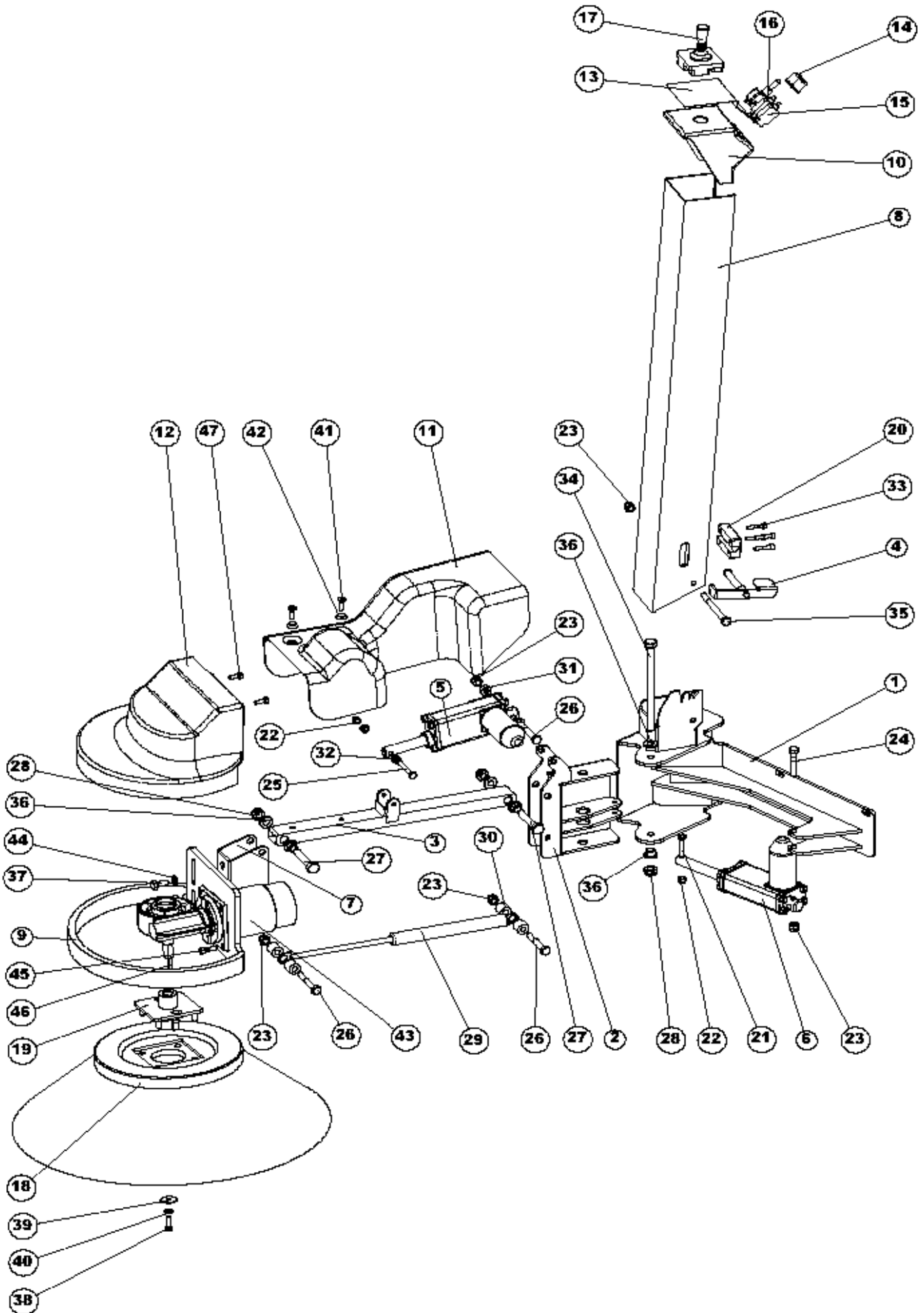
DRAW.O Accessories

SR 1300 B

28-03-2015

Part List ID F46135

23



DRAW.O Accessories

SR 1300 B

28-03-2015

Part List ID

F-46135

24

Pos	Part no.	Qty	Description
0	146 0226 000	1	BROOM 3RD PPL KIT
0	146 0269 000	1	HARNESS THIRD BROOM
1	146 0251 000	1	FRAME
4	146 0263 000	1	PEDAL
5	146 0270 000	1	ACTUATOR LINEAR 24V DC STRK 62MM 32MM/S
6	146 0271 000	1	ACTUATOR LINEAR 24V DC STRK 100MM 32MM/S
7	146 0261 000	1	SUPPORT
8	146 0262 000	1	COLUMN
16	145 8261 000	1	SWITCH 15A
18	145 1900 000	1	BROOM SIDE 250X460 PPL 1.4
19	146 0402 000	1	FLANGE BROOM HOLDING
22	33005562	2	NUT SELF L. M6 UNI7473
23	33005565	5	NUT SELF L. M8 UNI7473
24	33003999	1	SCREW M8X45 HEX HD F/THD ISO4017
25	33003980	1	SCREW M6X45 HEX HD F/THD ISO4017
26	33003793	3	SCREW M8X55 HEX HD P/THD ISO4014
27	9100000780	1	SCREW M10X55 HEX HD ISO4017 10 PCS SET
28	33005566	3	NUT SELF L. M10 UNI7473
29	145 8836 000	1	SPRING
31	146 0275 000	2	SPACER 8.2X16X6
32	145 2661 000	2	SPACER 6.5X12X5.5
34	146 0277 000	1	SCREW M10X160 HEX HD P/THD ISO4014
35	33003799	1	SCREW M8X90 HEX HD P/THD ISO4014
36	146 0272 000	6	BUSH 10X14X10
37	33005444	1	SCREW M8X20 HEX HD F/THD ISO4017
38	145 1218 000	1	SCREW M6X20 HEX HD F/THD LEFT ISO4017
39	1466332000	1	WASHER 6X24X2 UNI6593 10 PCS SET SET INCLUDES 10 PCS
40	33005851	1	WASHER M6 UNI1751B
41	33004578	2	SCREW M6X20 C/SUNK FLAT HD HEX ISO10642
42	145 1129 000	2	WASHER 6.4X16X13X4.5
43	145 5200 000	1	REDUCTION GEARMOTOR 60W 24V RIGHT
44	33005915	1	WASHER M8 UNI6592
45	33004346	1	SCREW M6X20 CAP HD HEX SOCK ISO4762
46	1466146000	1	KEY 5X5X25 UNI6604A PKD
47	33003974	2	SCREW M6X16 HEX HD F/THD ISO4017

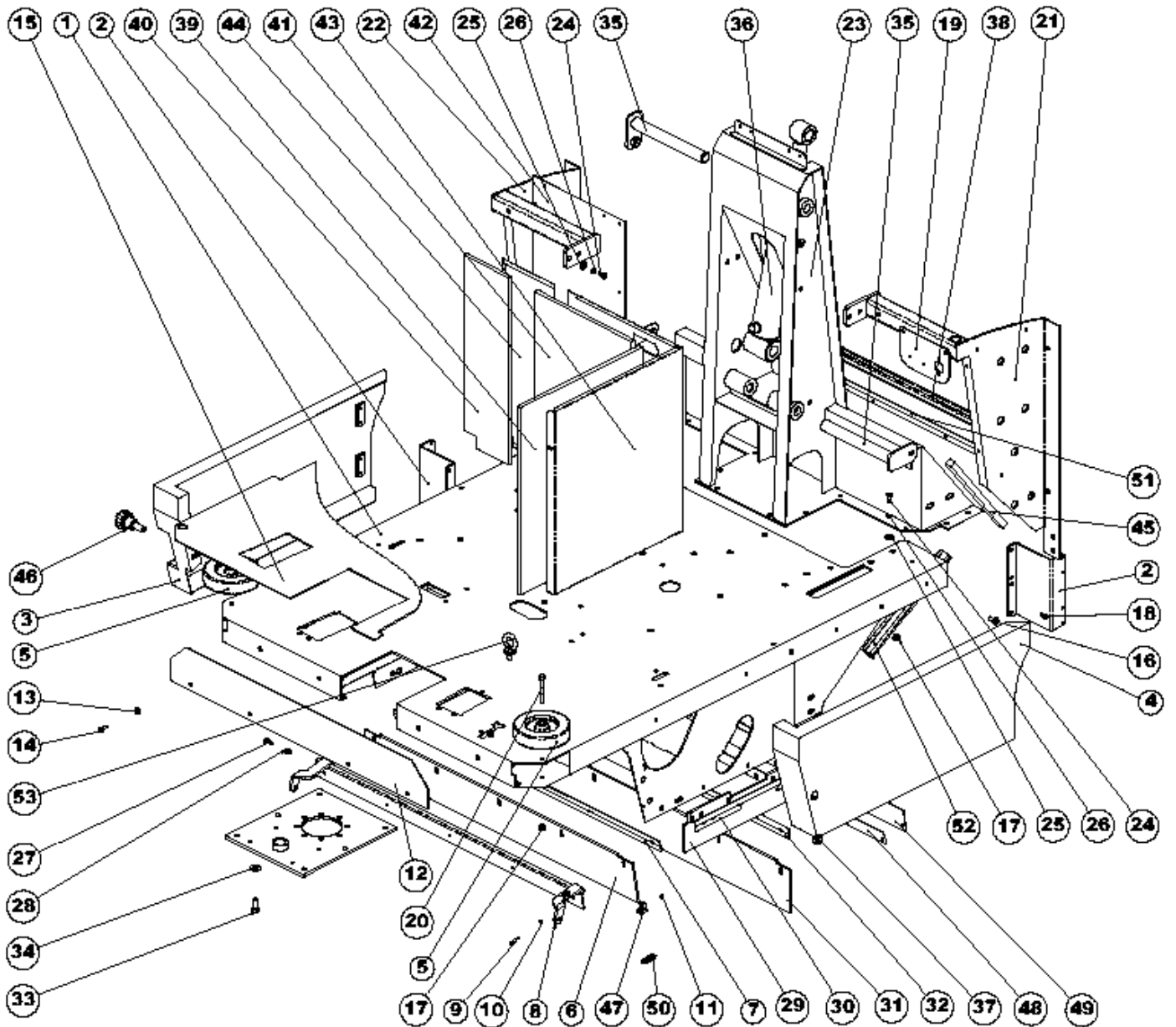
DRAW.A Frame assembly

SR 1300 B

28-03-2015

Part List ID
F4611-B

25



DRAW.A Frame assembly

SR 1300 B

28-03-2015

Part List ID

F4611-B

26

Pos	Part no.	Qty	Description
1	145 5650 000	1	FRAME
2	145 5667 000	2	SIDE HATCH SUPPORT
3	145 5668 000	1	HATCH RIGHT SIDE
4	145 5669 000	1	HATCH LEFT SIDE
5	145 1966 000	2	WHEEL
6	145 4653 000	1	SKIRT FRONT
7	145 4655 000	1	PLATE FRONT SKIRT
8	145 1872 000	1	SKIRT RAISING DEVICE
9	33003951	5	SCREW M4X20 HEX HD F/THD ISO4017
10	33005838	5	WASHER M4 UNI1751B
11	33005602	5	NUT SELF L. M4 UNI7473
12	145 5699 000	1	FOOT STOP 5
13	145 1129 000	4	WASHER 6.4X16X13X4.5
14	33004578	4	SCREW M6X20 C/SUNK FLAT HD HEX ISO10642
15	145 5705 000	1	FOOTBOARD MAT
16	33003993	8	SCREW M8X16 HEX HD F/THD ISO4017
17	33005504	8	NUT HEX M8 UNI5588
18	33004562	8	SCREW M5X14 C/SUNK FLAT HD HEX ISO10642
19	145 5825 000	1	BRACKET
20	33004002	2	SCREW M8X60 HEX HD F/THD ISO4017
21	145 5694 000	1	LEFT SUPPORT FOR UNDERCOV
22	145 5693 000	1	RIGHT SUPPORT FOR UNDERCO
23	145 5651 000	1	SUPPORT FOR CONTAINER
24	33003974	2	SCREW M6X16 HEX HD F/THD ISO4017
25	145 6016 000	2	WASHER 8X27 UNI6592
26	33005842	2	WASHER M8 UNI1751B
27	33004345	2	SCREW M6X16 CAP HD HEX SOCK ISO4762
28	33005562	2	NUT SELF L. M6 UNI7473
29	145 5927 000	1	SKIRT SIDE
30	145 5929 000	1	PLATE SIDE SKIRT
31	145 4654 000	1	SKIRT REAR
32	145 4657 000	1	PLATE REAR SKIRT
33	33005445	6	SCREW M8X25 HEX HD F/THD ISO4017
34	L08300000	6	WASHER 8X24X2 FLAT ISO7093
35	145 5655 000	2	PIN
36	145 5654 000	1	HYDRAULIC CYLINDER
37	L08601000	2	NUT SELF L. M12 UNI7473
38	146 0391 000	1	GASKET REINFORCED L.720MM
42	145 5907 000	2	DUST COVER
46	145 8471 000	1	KNOB M 8X 60
47	145 5126 000	1	BRACKET
48	146 0019 00	1	BRACKET
49	146 0018 00	1	SKIRT

DRAW.A Frame assembly

SR 1300 B

28-03-2015

Part List ID
F4611-B

27

Pos	Part no.	Qty	Description
50	145 9579 000	1	SPRING
51	146 0390 000	1	PLATE
53	145 5998 000	2	EYEBOLT M10 UNI2947

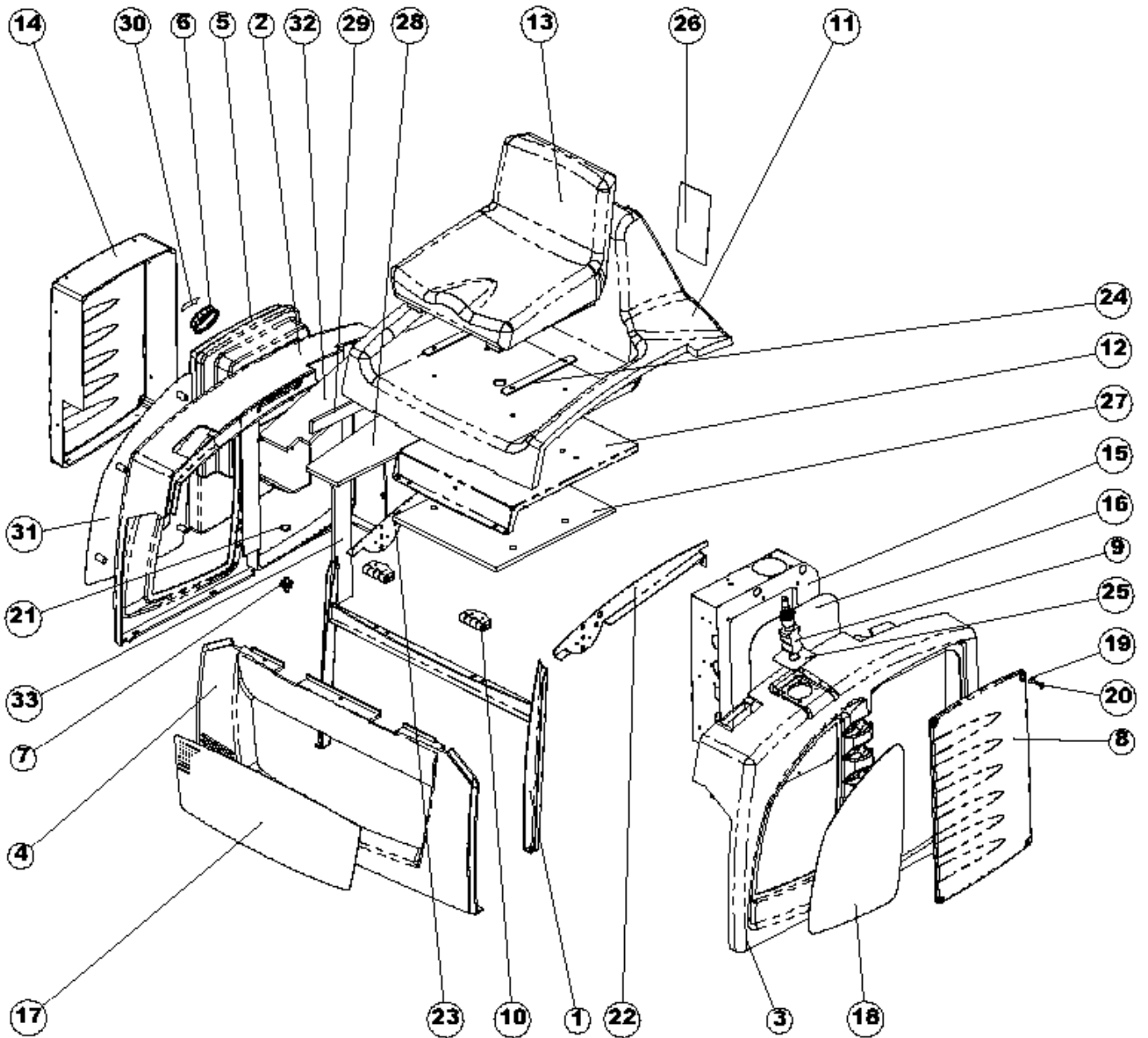
DRAW.B Front cover assembly

SR 1300 B

28-03-2015

Part List ID
F4613-B

28



DRAW.B Front cover assembly

SR 1300 B

28-03-2015

Part List ID

F-4613-B

29

Pos	Part no.	Qty	Description
1	145 5955 000	1	SUPPORT FOR CENTRAL COVER
2	145 5673 000	1	GREY 7001 RIGHT SIDE UNDE
3	145 5978 000	1	Grey 7001 left side under
4	145 5679 000	1	Grey 7001 undercover
8	145 5680 000	1	COVER FOR ELECTRONIC CARD
9	146 0672 000	1	JOYSTICK KIT
10	145 0399 000	2	HINGE
11	145 5686 000	1	SEAT HOLDER BONNET GREY
12	145 5683 000	1	SEAT BONNET REINFORCEMENT
13	145 5975 000	1	SEAT
14	145 5952 000	1	COVER TANK PLACE
15	145 5725 000	1	BOX ELECTRIC COMPONENTS
16	145 5824 000	1	COVER BOX ELECTRIC
17	145 5834 000	1	PROTECTION WIRE-NET
18	145 5835 000	2	PROTECTION WIRE-NET
19	145 1129 000	4	WASHER 6.4X16X13X4.5
20	33004578	4	SCREW M6X20 C/SUNK FLAT HD HEX ISO10642
22	145 5956 000	1	SUPPORT FOR LATERAL COVER
23	145 5957 000	1	Support f or lateral cover
24	145 4984 000	2	SUPPORT
25	145 5863 000	1	DECAL JOYSTICK CONTROLS

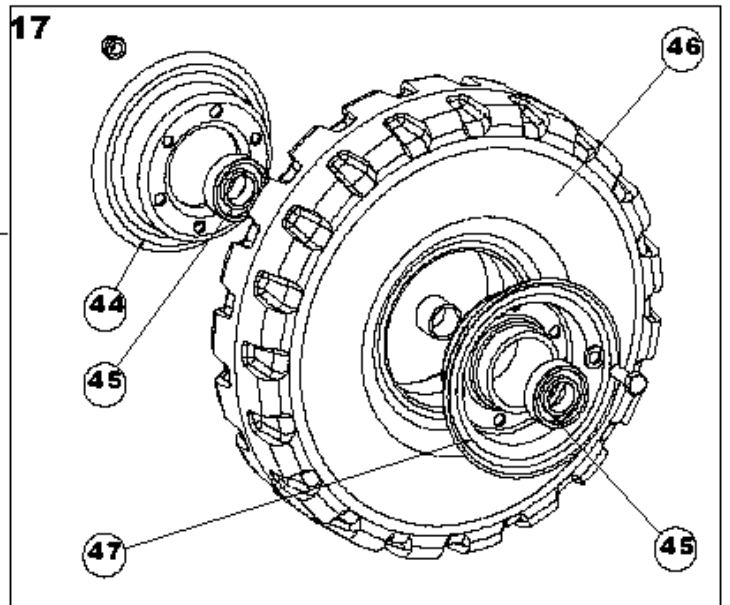
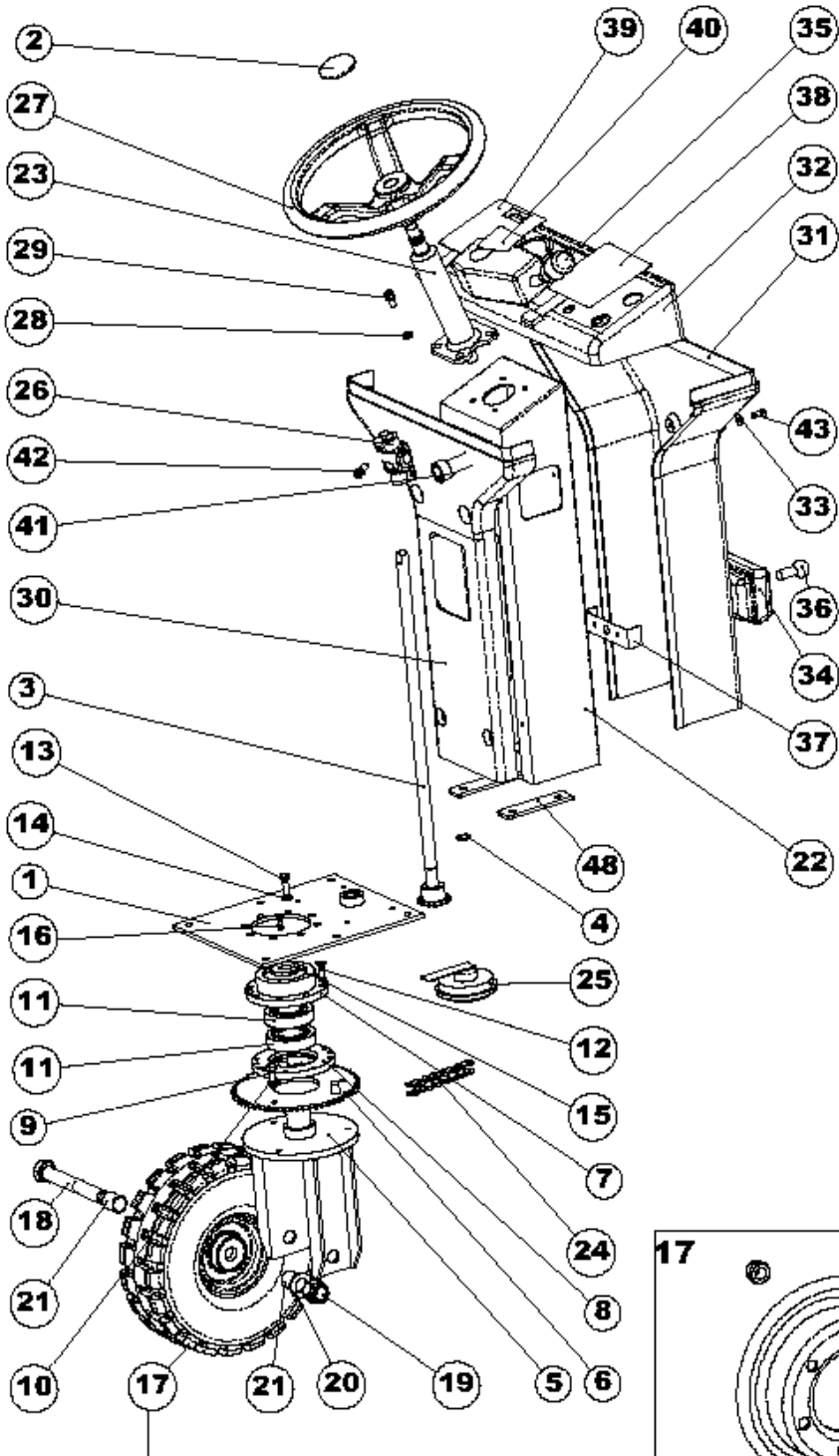
DRAW.D Steering assembly

SR 1300 B

28-03-2015

Part List ID
F4617-B

30



DRAW.D Steering assembly

SR 1300 B

28-03-2015

Part List ID

F4617-B

31

Pos	Part no.	Qty	Description
1	145 1847 000	1	PLATE STEERING SUPPORT
2	145 8753 000	1	CAP
3	145 1793 000	1	SHAFT STEERING
4	33006056	1	RING D 17 UNI7435
5	145 5662 000	1	SUPPORT FRONT WHEEL
6	145 2714 000	1	CROWN
7	145 2586 000	1	FLANGE
8	145 2587 000	1	FLANGE
9	33005444	3	SCREW M8X20 HEX HD F/THD ISO4017
10	33005842	3	WASHER M8 UNI1751B
11	145 2357 000	2	BEARING BALL 6207 2RS
12	33023206	1	SCREW M8X20 C/SUNK ISO10642 10 PCS SET
13	33005445	8	SCREW M8X25 HEX HD F/THD ISO4017
14	33005842	8	WASHER M8 UNI1751B
15	145 2585 000	1	WASHER
16	33004578	1	SCREW M6X20 C/SUNK FLAT HD HEX ISO10642
17	145 9494 000	1	WHEEL FRONT
18	145 5712 000	1	SCREW M20X150 HEX HD P/THD ISO4014
19	145 4517 000	1	NUT HEX M20X2.5 UNI15589
20	33003724	1	WASHER M20 UNI6592
21	145 9586 000	2	SPACER 21X25X27.5
22	145 5551 000	1	COLUMN STEERING
23	145 1946 000	1	COLUMN STEERING
24	145 1784 000	1	CHAIN ROLLER 3/8 - 68 PITCHES
25	145 8881 000	1	HORN 24V
27	146 2106 000	1	WHEEL. STEERING D.320
28	33005915	4	WASHER M8 UNI6592
29	33004364	4	SCREW M8X16 CAP HD HEX SOCK ISO4762
30	145 1796 000	1	COVER REAR COLUMN
31	145 1797 000	1	COVER FRONT COLUMN
32	145 5887 000	1	Control panel
33	145 1129 000	4	WASHER 6.4X16X13X4.5
34	145 8244 000	1	LIGHT
35	145 5709 000	1	MULTIFUNCTION LEVER
36	145 5518 000	1	LAMP 24V 21W
37	145 3483 000	1	BRACKET
38	145 6130 000	1	KEY CONTROL PANEL
39	145 5715 000	1	SILK-SCREEN CONTROL PANEL
40	145 1941 000	1	DECAL MULTIFUNCTION LEVER
42	33004364	1	SCREW M8X16 CAP HD HEX SOCK ISO4762
43	33004578	8	SCREW M6X20 C/SUNK FLAT HD HEX ISO10642
44	145 8789 000	1	SEMICIRCLE
45	145 8146 000	2	BEARING BALL 6004 2RS

DRAW.D Steering assembly

SR 1300 B

28-03-2015

Part List ID
F4617-B

32

Pos	Part no.	Qty	Description
46	145 2352 000	1	TYRE WHEEL
47	145 2350 000	1	SEMICIRCLE W/HUB
48	146 0284 000	2	SPACER

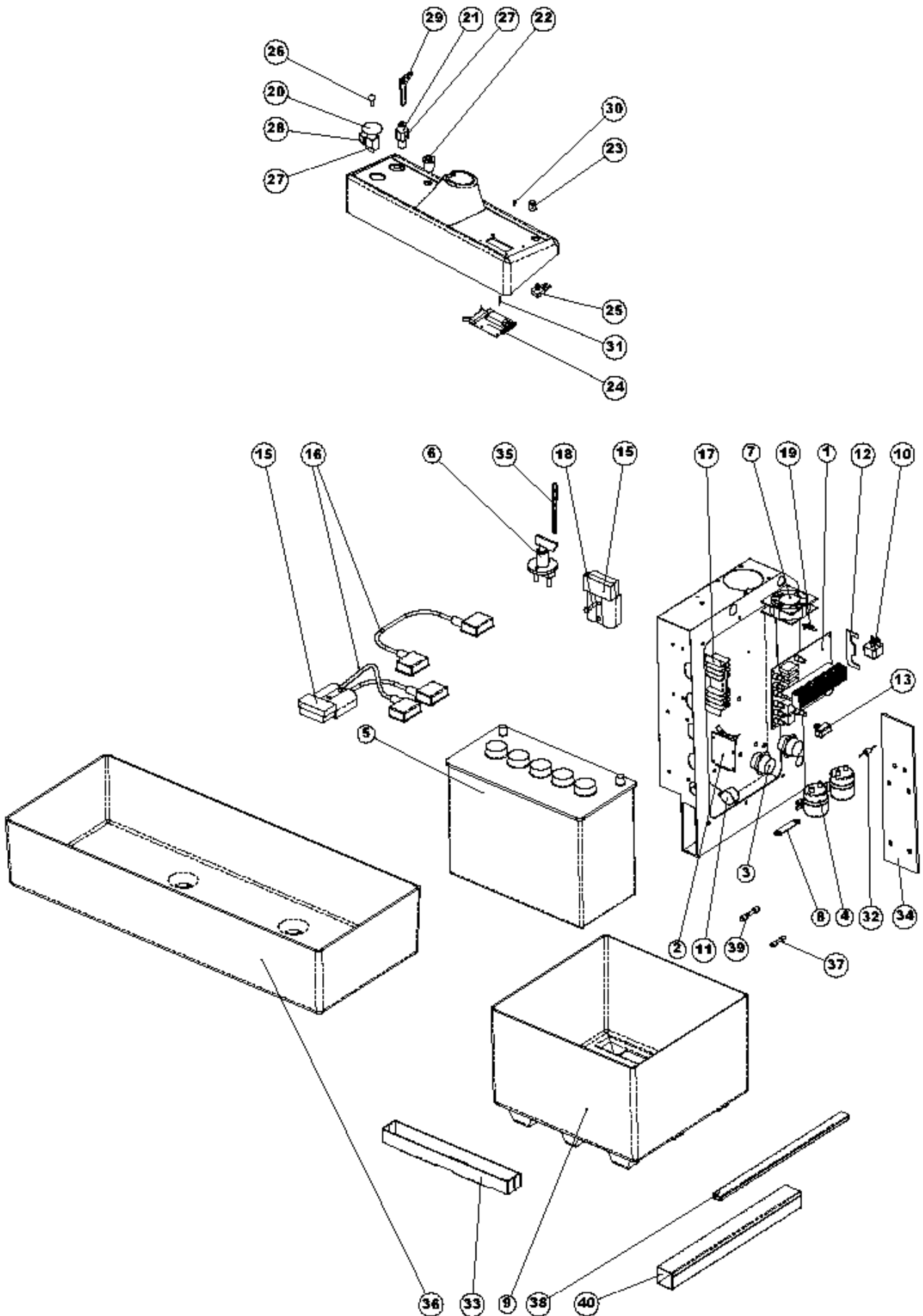
DRAW.N Electronic assembly

SR 1300 B

28-03-2015

Part List ID
F46129-B

33



DRAW.N Electronic assembly

SR 1300 B

28-03-2015

Part List ID
F-46129-B

34

Pos	Part no.	Qty	Description
1	145 1785 000	1	CARD ELECTRONIC
2	146 0288 000	1	Card for container filter
3	145 8874 000	2	INSULATOR M8
4	145 0300 000	1	SWITCH ELECTROM.24V 120A
6	145 1779 000	1	BLOCK BATTERY
7	145 2298 000	1	FAN D.80 24V
10	145 8512 000	1	RELAY 24V
11	145 8877 000	1	BUZZER
12	145 1980 000	1	FUSE 100A
13	145 4615 000	1	RESISTOR BRAKE 0.56 OHM
15	145 6063 000	1	CONNECTOR 175A RED
16	145 6078 000	1	BATTERY HARNESS
17	145 5502 000	1	DISSIPATOR W/DIODE.HARNES
18	145 5469 000	1	SCREW M6X30 HEX HD ISO4017 SCOTCH-GRIP
19	145 0516 000	6	SPACER
20	146 2905 000	1	SWITCH. EMERGENCY KIT
21	1463729000	1	SWITCH WITH KEYS AND CONTACT KIT
22	145 8885 000	1	BUTTON RED
23	145 4719 000	1	KNOB F/POTENTIOMETER
24	145 5703 000	1	CARD
25	145 4718 000	1	POTENTIOMETER 10K
26	145 1233 000	1	LAMP 24V 3W
27	146 1730 000	2	CONTACT. NA.
28	146 1728 000	1	CONTACT. NC.
29	146 2901 000	1	SWITCH KEY
30	145 1720 000	4	SCREW M3X8 PLASTIC
31	145 1719 000	4	SPACER
34	145 5807 000	1	DUST PROTECTION SPONGE
35	145 5358 000	9	CHAIN FOR BATTERY STOP
36	145 6126 000	1	CONTAINER BATTERY
38	145 5899 000	1	PROTECTION
39	145 8511 000	1	FUSE 5A
40	145 5898 000	1	PROTECTION

POSITION 21 INCLUDES SWITCH KEY, PLUS TWO KEYS AND A CONTACT
POSITION 29 INCLUDES SWITCH KEY PLUS TWO KEYS