

# GD 930 GD 930S2, GD930Q

---

Model:  
GD 930  
GD 930 S2



Stückliste Deutsch

01-03-2015

# Nilfisk

[www.nilfisk.com](http://www.nilfisk.com)

# Inhalt

GD 930 GD 930S2, GD930Q

<b>Lower parts after serial no. 3510124601423 (12.201</b>	<b>3</b>
<b>Lower parts before serial no. 3510124601423 (11.2</b>	<b>6</b>
<b>Container and Filters</b>	<b>9</b>
<b>Nozzles 32 mm</b>	<b>11</b>
<b>Hose and tubes</b>	<b>13</b>
<b>Power brush UZ 984 line drawing</b>	<b>15</b>
<b>EMPFOHLENE ERSATZTEILE</b>	<b>17</b>
<b>Wiring</b>	<b>19</b>

# Lower parts after serial no. 3510124601423 (12.2

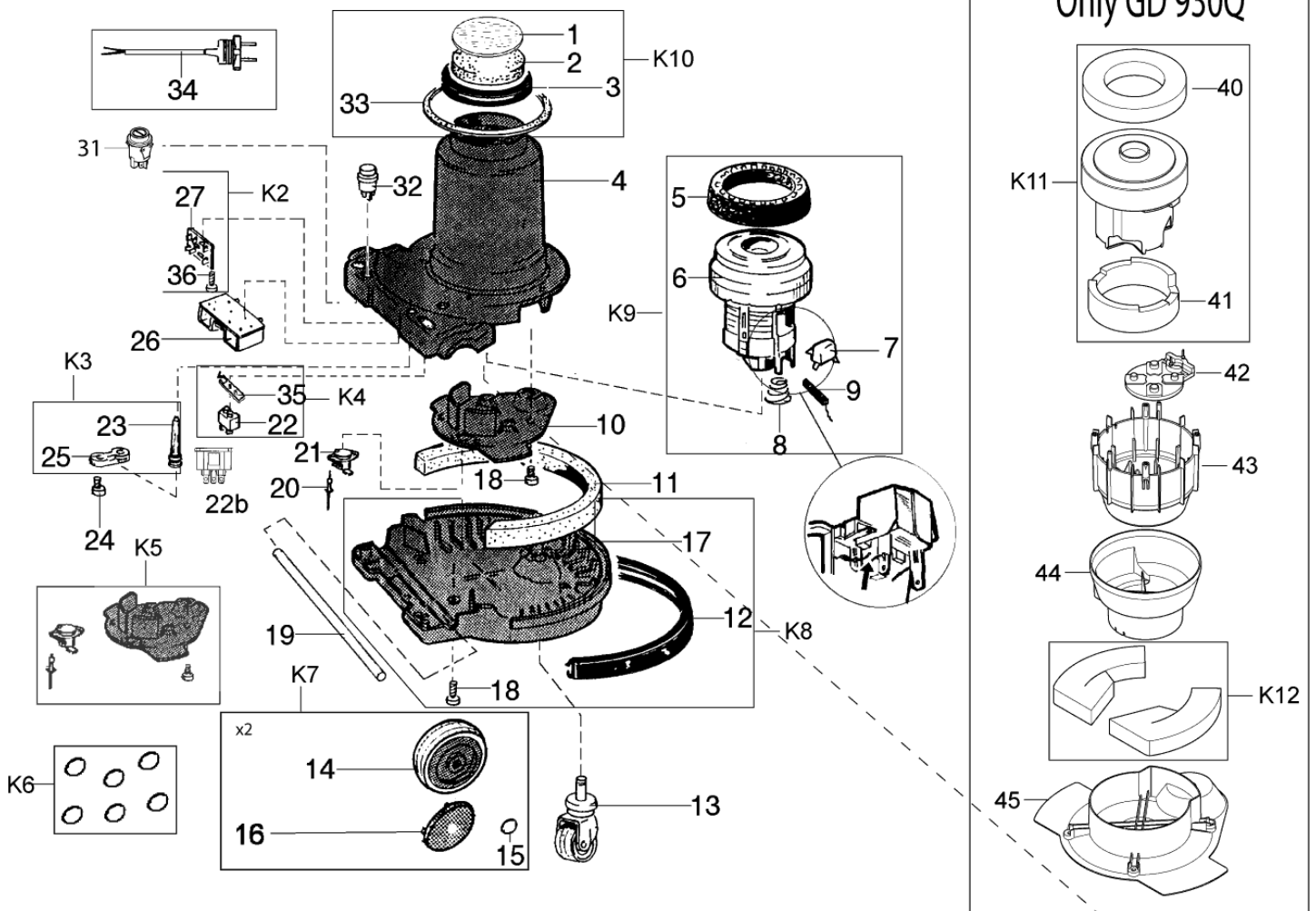
GD 930 GD 930S2, GD930Q

01-03-2015

ET-Liste-Nr.

GD9302

3



# Lower parts after serial no. 3510124601423 (12.1

GD 930 GD 930S2, GD930Q

01-03-2015

ET-Liste-Nr. GD930Z

4

Pos	Artikelnr.	Me	Beschreibung	
0	107412603	1	BOX GD 930 10X	Neutral Box kit 10 pcs
1		1	NOTE COMMENT	part of kit K10
2	140 1535 510	1	Filter-MotorschutzPaket à 3 Stück	
3		1	NOTE COMMENT	part of kit K10
4	107413587	1	STAND BLACK ON-OFF ONLY W POWER OUTLET	To be used on dark/light grey versions also
4	107413588	1	STAND BLACK DUAL SPEED W POWER OUTLET	
4	107413589	1	STAND BLACK ON-OFF ONLY W POWEROUTLET US	US
5	140 7901 000	1	Aufhängering UZ930-neu-	
6		1	NOTE COMMENT	part of kit K9
7	140 8166 010	1	Kondensator GD 930	
8	140 7016 000	1	Feder UZ 930/S	
9	140 7719 000	1	Kohle GD930/UZ934	
10		1	NOTE COMMENT	part of kit K5
11	140 7022 500	1	MUFFLER STRIP	
12		1	NOTE COMMENT	part of kit K8
13	140 7025 500	1	Lenkrolle GD 930	
14		1	NOTE COMMENT	part of kit K7
15		1	NOTE COMMENT	part of kit K7
16		1	NOTE COMMENT	part of kit K7
17		1	NOTE COMMENT	part of kit K8
18	140 9214 070	3	Schraube 50x14	
19	140 5059 000	1	Achse (Shaft)	
20	140 5694 000	1	RIVET	
21	140 3894 500	1	Thermoschalter GD 930	
22	010 9678 500	1	Steckdose GD930	
23		1	NOTE COMMENT	part of kit K3
24	140 9214 040	2	Schraube 40x14	
25	056 1014 060	1	Tripper/Anti-Strain Clip	
26	140 7026 500	1	2 Stufenschalter GDP 2000	
27		1	NOTE COMMENT	part of kit K2
31	107408927	1	Schalter 930-Series	
32	140 7023 500	1	Schalter GD 930 / S2	
33		1	NOTE COMMENT	part of kit K10
34	140 6423 500	1	Netzkabel 15m schwarz zu Backuum BB	
35	010 9678 500	1	Steckdose GD930	
36	140 7027 010	1	Schraube	
40	107410498	1	TURBINE DAMPER	
41	107410499	1	SOUND ABSORBER	
42	107410500	1	MOTOR DAMPER	
43	107410501	1	INNER AIRGUIDE	
44	107410502	1	INNER AIRGUIDE 2	
45	107410503	1	BASEPLATE GD930Q	
K2	107408928	1	BOARD ANTI STATIC	

# Lower parts after serial no. 3510124601423 (12.1

GD 930 GD 930S2, GD930Q

01-03-2015

ET-Liste-Nr.

GD930Z

5

Pos	Artikelnr.	Me	Beschreibung	
K3	140 7035 500	1	Kabelführung-Kit	
K4	140 7665 500	1	Steckdose 15A 250V	
K5	140 7012 500	1	Motorplatte inkl. Thermo-	
K6	140 5058 500	1	Verschlusskappe GD930	
K7	140 5055 500	1	Laufbandsatz GD 930	
K8	107408930	1	Bodenplatte	
K9	140 7902 500	1	FAN UNIT KIT DOMEL 230V	
K9	140 7902 510	1	Motor 930/934, 110-120V	
K9	140 7902 520	1	FAN UNIT KIT DOMEL 240V	
K9	140 7902 530	1	FAN UNIT KIT DOMEL 100V	
22b	140 7665 500	1	Steckdose 15A 250V	US
K10	140 1535 500	1	MOTOR PROTECTION	
K11	107410504	1	TURBINE 220-240V KIT	EU, UK, AUS/NZ, CN
K11	107410505	1	TURBINE 120V KIT	US
K11	107410506	1	TURBINE 100V KIT	JP
K12	107410507	1	EXHAUST FOAM	

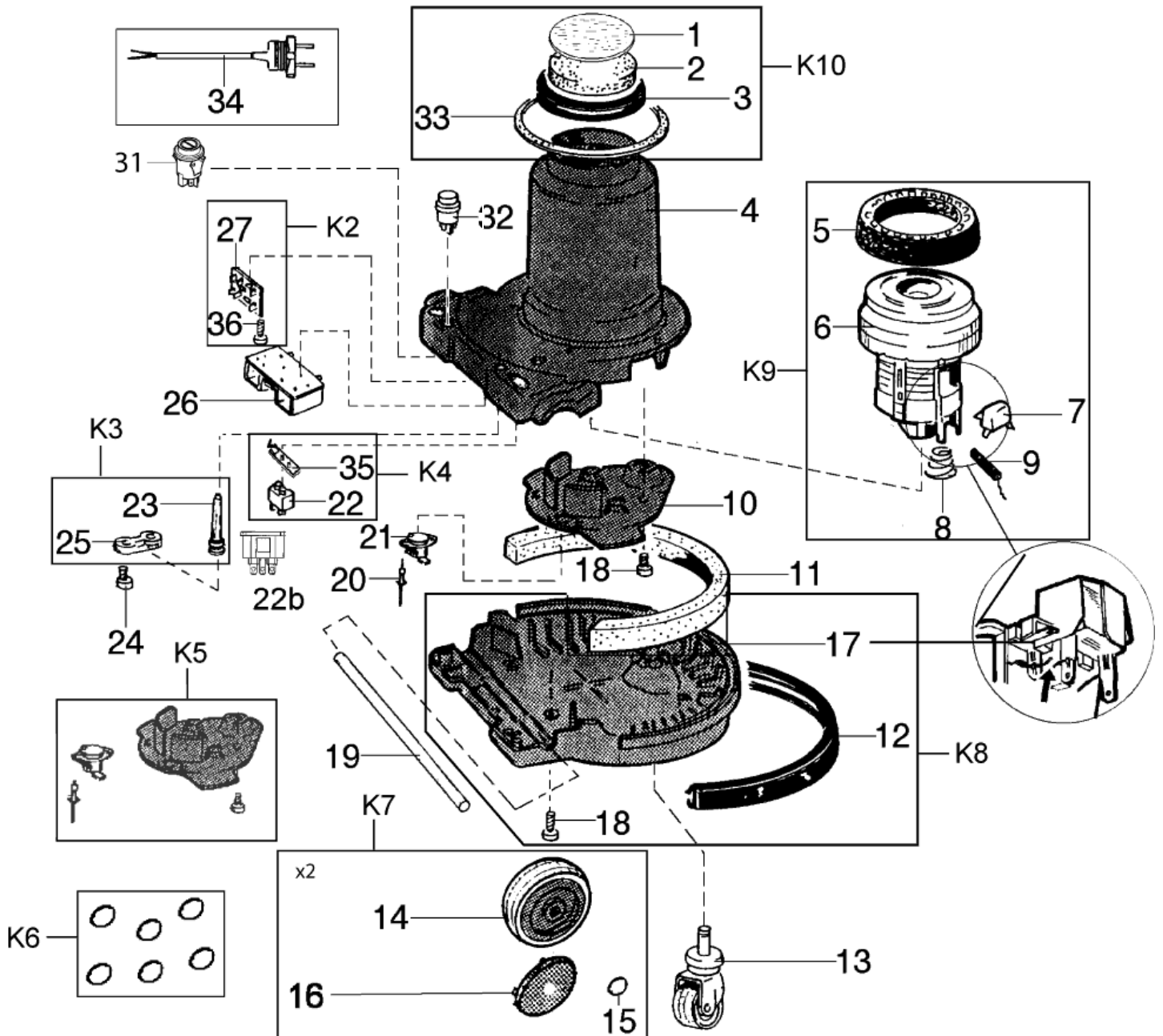
# Lower parts before serial no. 3510124601423 (1

GD 930 GD 930S2, GD930Q

01-03-2015

ET-Liste-Nr.  
GD93002

6



# Lower parts before serial no. 3510124601423 (1

GD 930 GD 930S2, GD930Q

01-03-2015

ET-Liste-Nr. GD930QZ

7

Pos	Artikelnr.	Me	Beschreibung	
0	140 7031 010	1	CARTON UZ 930S WHITE	NEUTRAL, FOR PANTHER
2	140 1535 510	1	Filter-MotorschutzPaket à 3 Stück	
4	140 7010 080	1	STAND UL-LISTED	US no speed control
4	140 7010 500	1	Untergestell f. GD 930	
4	140 7010 510	1	Motorgehäuse GD/UZ 930S2	
4	140 7010 530	1	STAND BASIC	
4	140 7010 540	1	STAND S2 W SQUARE HOLE E-NOZZLE	
5	140 7901 000	1	Aufhängering UZ930-neu-	
6		1	NOTE COMMENT	Part of K9
7	140 8166 010	1	Kondensator GD 930	
8	140 7016 000	1	Feder UZ 930/S	
9	001 8619 110	1	Kohle UZ 930/S	
9	140 7719 000	1	Kohle GD930/UZ934	
9	140 7720 000	1	Kohlebürste 110-120V	
11	140 7022 500	1	MUFFLER STRIP	
13	140 7025 500	1	Lenkrolle GD 930	
18	140 9214 070	3	Schraube 50x14	
19	140 5059 000	1	Achse (Shaft)	
20	140 5694 000	1	RIVET	
21	140 3894 500	1	Thermoschalter GD 930	
22	010 9678 500	1	Steckdose GD930	
23	093 1027 010	1	CABLE PROTECTION USA	
24	140 9214 040	2	Schraube 40x14	
25	056 1014 060	1	Tripper/Anti-Strain Clip	
26	140 7026 500	1	2 Stufenschalter GDP 2000	
26	140 7026 500	1	2 Stufenschalter GDP 2000	
26	140 7026 510	1	2S CIRCUIT BOARD 110-120V KIT	
31	140 7033 500	1	Schalter GD 930	
32	140 7023 500	1	Schalter GD 930 / S2	
34	107401390	1	CORD SET CN 15.5M - KIT	
34	107407565	1	CORD SET ORANGE 15.5M - KIT	campain modul
34	140 3859 020	1	CORD SET	120V US/CA
34	140 6423 500	1	Netzkabel 15m schwarz zu Backuum BB	
34	140 6423 510	1	Anschlußkabel EU, 10 m	
34	140 6423 520	1	CORD KIT CH L 15M	Machine outphased 2010
34	140 6423 530	1	CORD UK L 15M	
34	140 6423 540	1	CORD UK L 10M	
34	140 6423 550	1	Anschlußkabel US 15m	
34	140 6423 560	1	CORD US L 10M GROUNDED	
34	140 6423 570	1	CORD JP L 15M	
34	140 6423 580	1	CORD AU L 15.5M	
35	010 9678 500	1	Steckdose GD930	
K2	140 7024 500	1	Schaltkarte GD 930	

# Lower parts before serial no. 3510124601423 (1

GD 930 GD 930S2, GD930Q

01-03-2015

ET-Liste-Nr. GD930Q2

8

Pos	Artikelnr.	Me	Beschreibung
K3	140 7035 500	1	Kabelführung-Kit
K3	140 7035 510	1	PROTECTION SLEEVE US KIT
K4	140 7665 500	1	Steckdose 15A 250V
K5	140 7012 500	1	Motorplatte inkl. Thermo-
K5	140 7012 510	1	Motorplatte
K6	140 5058 500	6	Verschlusskappe GD930
K7	140 5055 500	2	Laufbandsatz GD 930
K8	140 7011 500	1	Boden & Stossring-KitGD/UZ 930S/S2
K8	140 7011 510	1	Unterteil f. UZ930S/S2
K9	140 7902 500	1	FAN UNIT KIT DOMEL 230V
K9	140 7902 510	1	Motor 930/934, 110-120V US
K9	140 7902 520	1	FAN UNIT KIT DOMEL 240V (UZ934)
K9	140 7902 530	1	FAN UNIT KIT DOMEL 100V JP
22b	140 7665 500	1	Steckdose 15A 250V US
K10	140 1535 500	1	MOTOR PROTECTION



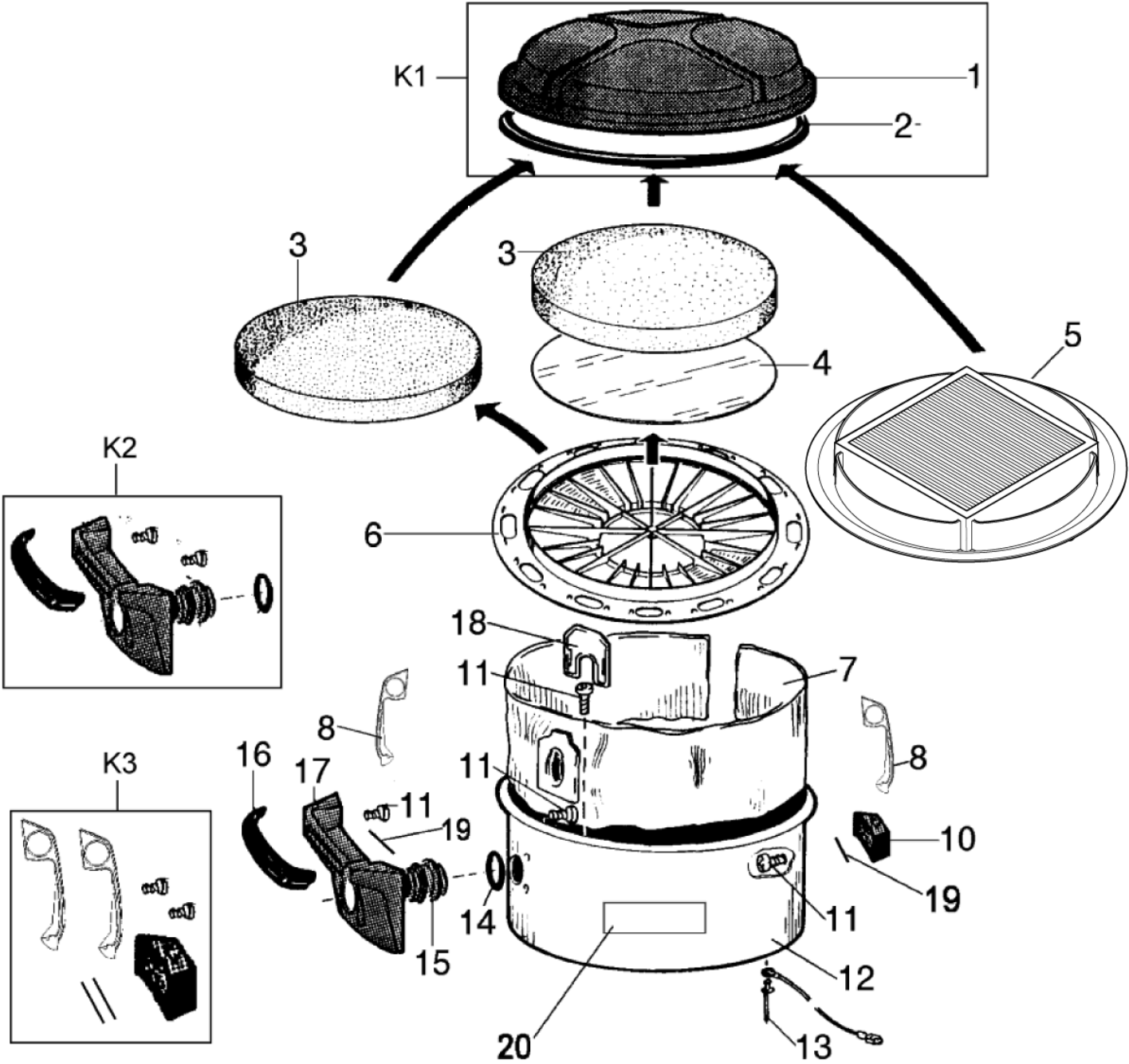
# Container and Filters

GD 930 GD 930S2, GD930Q

01-03-2015

ET-Liste-Nr. GD93004

9



# Container and Filters

GD 930 GD 930S2, GD930Q

01-03-2015

ET-Liste-Nr. GD93004

10

Pos	Artikelnr.	Me	Beschreibung	
1	107408923	1	LID GD930	LID BLACK
1	140 7802 080	1	LID RED	
2	140 0061 030	1	Dichtung GD 930	
3	140 1515 500	1	Filter Schaumstoff UZ 930	
4	140 5661 000	1	Hygienefilter UZ 930/S	
5	140 2666 010	1	HEPA-Filter UZ 930/S	
6	140 2911 000	1	Filterhalter zu GD 930	
7	140 3260 500	1	Papierfilter UZ 930/SPaket à 5 Stück	
7	140 7015 040	1	STAUBBEUTEL (10 Stück)	
7	140 7019 500	1	Stoffbeutel GD 930 1 Stk	
7	140 7313 020	1	Staubbeutel GD 930 spez.High Filter	
8		1	NOTE COMMENT	Part of K3 item 140 7832 500
11	140 9214 070	8	Schraube 50x14	
12	140 7020 510	1	Behälter, Chrom	
13	140 5694 000	1	RIVET	
14	740 4416 000	1	O-Ring	
15	140 7013 000	1	Zwischenstück zu GD 930	
16		1	NOTE COMMENT	Part of K2
17		1	NOTE COMMENT	Part of K2
18	140 7014 500	1	StaubbeutelverschlussGD/UZ 930/S2 3 Stk	
19		1	NOTE COMMENT	Part of K3
20	140 7877 000	1	DECAL NILFISK GD 930	
23	140 9214 040	2	Schraube 40x14	Incl. in K2
K1	140 7801 500	1	Deckel mit Filter fürGD 930	
K1	140 7801 510	1	LID WITH HEPA FILTER	
K2	140 7800 500	1	Griffgummi GD 930/S2	
K3	140 7832 500	1	Kesselklammerset GD 930	
NI	140 6076 000	1	SIGN	Emptying - if this vacuum cleaner is...
NI	140 6754 000	1	LABEL	Warning HEPA filter must be installed...
NI	140 7784 000	1	BOX FOR GD 930	

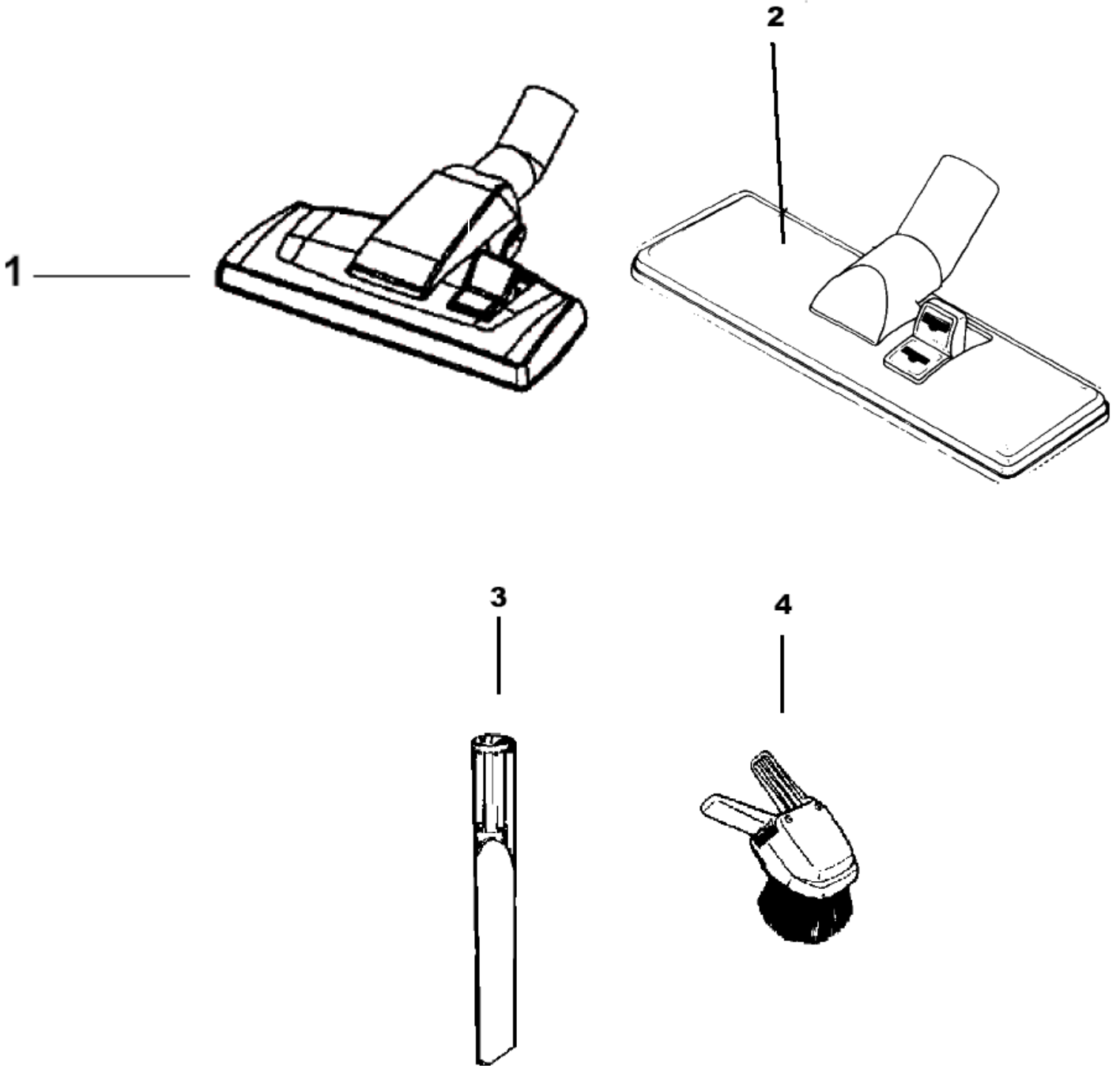
# Nozzles 32 mm

GD 930 GD 930S2, GD930Q

01-03-2015

ET-Liste-Nr. B0339M

11



# Nozzles 32 mm

GD 930 GD 930S2, GD930Q

01-03-2015

ET-Liste-Nr. B0339M

12

Pos	Artikelnr.	Me	Beschreibung
1	140 8492 520	1	Kombidüse sz/ ¥ 3228cm mit Parkclip
2	140 5634 500	1	Kombidüse GD 930 32 cmD32
3	010 3098 500	1	Fugendüse 32-250 mm
4	011 3104 500	1	Kombidüse klein

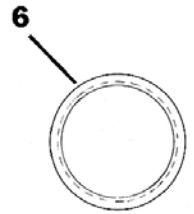
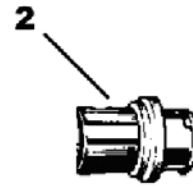
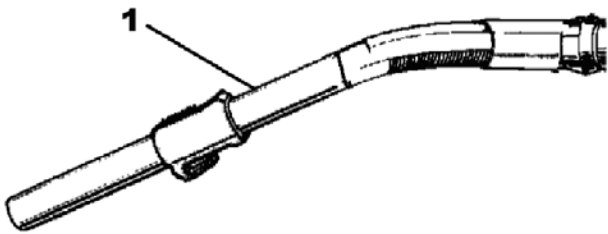
# Hose and tubes

GD 930 GD 930S2, GD930Q

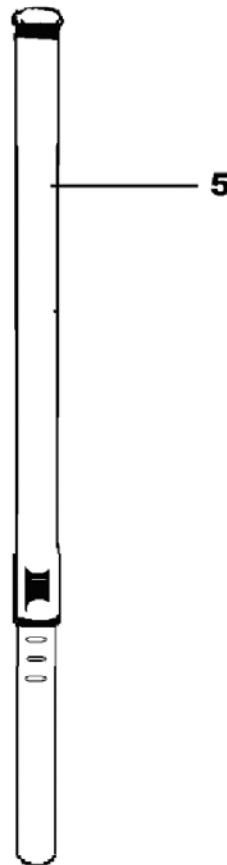
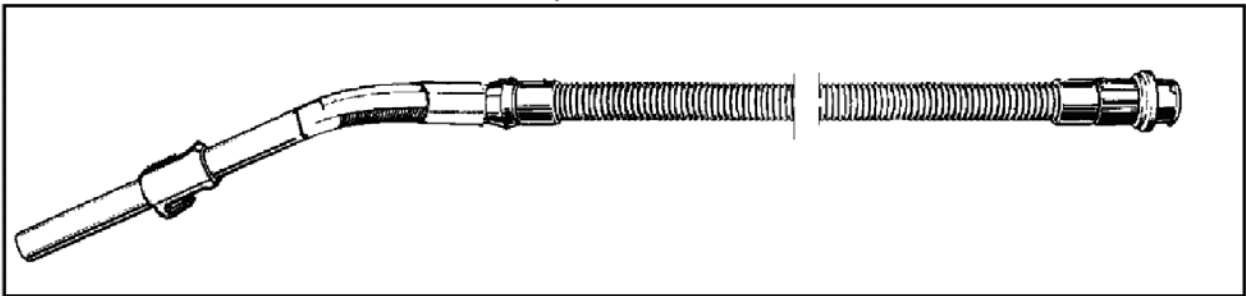
01-03-2015

ET-Liste-Nr. B03311

13



3



# Hose and tubes

GD 930 GD 930S2, GD930Q

01-03-2015

ET-Liste-Nr. BU3311

14

Pos	Artikelnr.	Me	Beschreibung
1	140 5116 500	1	Rohrbogen Alu GD 930
2	140 3846 500	1	Muffe 32mm Bajoner ks
3	140 2782 500	1	Schlauch PVC kompl.UZ 930, 32-1900mm
4	011 6431 500	1	EXTENSION TUBE, ALUMINIUM
5	011 8130 500	1	Teleskoprohr ALU
6	010 9299 540	1	Dirchtung GD 930

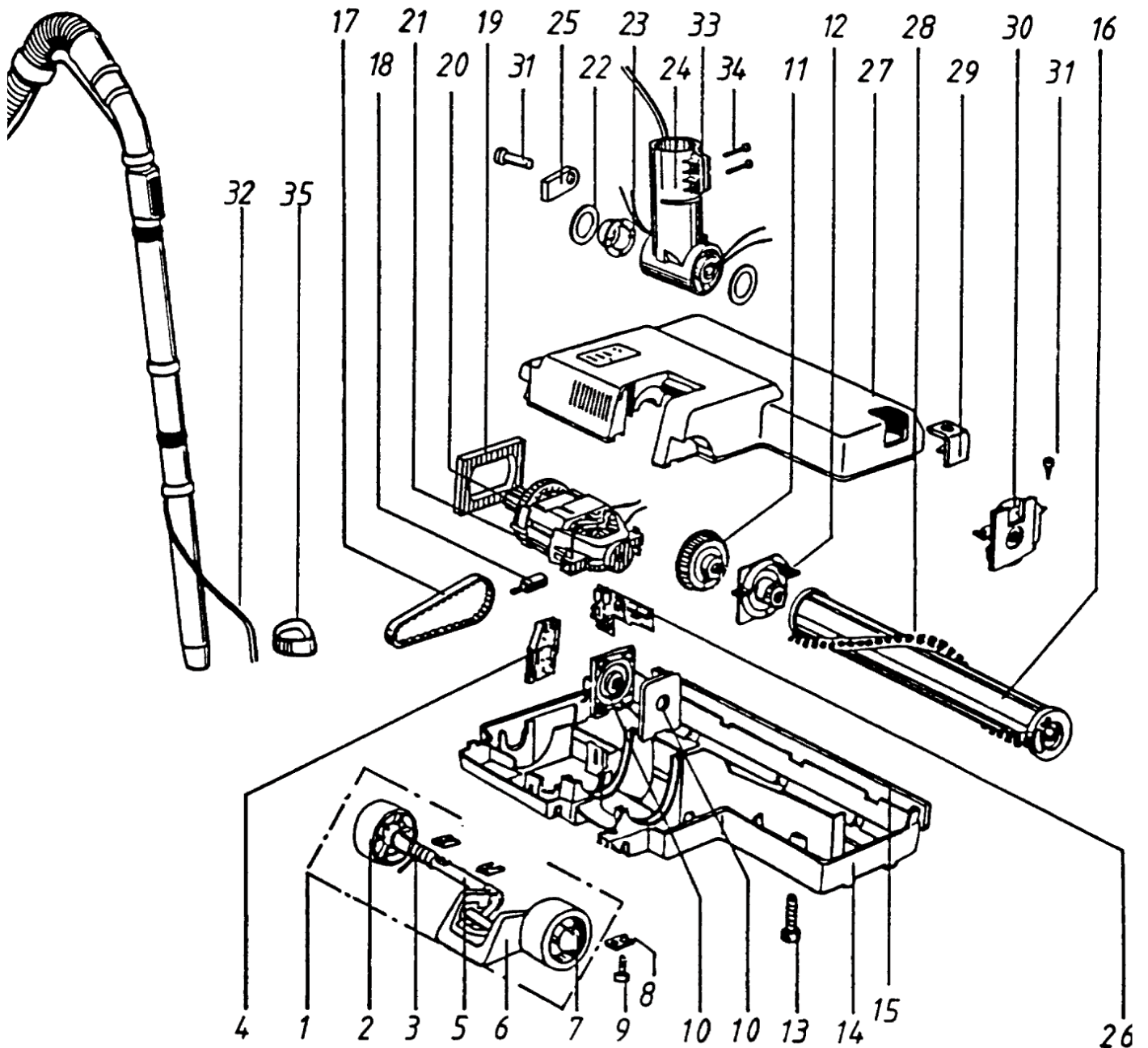
# Power brush UZ 984 line drawing

GD 930 GD 930S2, GD930Q

01-03-2015

ET-Liste-Nr. B03133

15



# Power brush UZ 984 line drawing

GD 930 GD 930S2, GD930Q

01-03-2015

ET-Liste-Nr. BU3133

16

Pos	Artikelnr.	Me	Beschreibung	
0	909 1220 010	1	Elektrosaugbürste 220V	
0	909 1221 010	1	UZ 984 POWER NOZZLE 240V	
1	093 1751 000	1	Shaft	
2	093 1750 000	2	Rad UZ 814	Machine outphased 1998
3	093 1752 000	1	Feder	Machine outphased 1998
4	142 0882 000	1	BEARING PLATE	
5	093 1754 000	1	Achse f. UZ984	
6	093 1755 000	1	Entriegelungshebel	
7	093 1757 000	2	Sicherungsscheibe UZ984	Machine outphased 1998
8	093 1759 000	3	WASHER	Machine outphased 1998
9	093 1760 000	5	SCREW RXS 3.9 13 Z.PL..	Machine outphased 1998
10	142 0883 000	2	BEARING CPL.	
11	142 0559 000	1	Bürstenantriebsrad f.	
12	093 1763 000	1	Gleitlager	Machine outphased 1998
13	093 1764 000	4	SCREW MRX M5X25	
14	093 1765 000	1	Unterteil f. ESB 22203000	
15	142 0885 000	1	Stoßgummi	
16	093 1769 000	1	Bürstenwalze	Unit incl strip
17	093 1781 000	1	Antriebsriemen /Belt 2025	Machine outphased 1998
18	093 1783 000	2	Kohlebürsten	
19	093 1782 000	1	INJECTOR	Machine outphased 1998
20	093 1780 000	1	Gear / Ritzel UZ984	Machine outphased 1998
21	093 1779 000	1	MOTOR	Machine outphased 1998
21	093 1805 000	1	MOTOR 240V	
21	093 1806 000	1	BRUSH MOTOR 115V	
22	142 0886 000	2	WASHER	
23	142 0887 000	2	CONDUCTOR BEARING	
24	142 0888 000	1	VERBINDUNGSGELENK UZ 984	
25	142 0889 000	1	ANTI STRAIN CLIP	
26	142 0890 000	1	EL. CONTROL BOARD 220V	
26	142 0891 000	1	EL. CONTROL BOARD 240V	
26	142 0892 000	1	EL.CONTROL BOARD 110V	
27	142 0893 000	1	TOP.	
28	093 1770 000	1	Brush 2054	Only the strip is supplied
29	093 1768 000	1	SUPPORT	
30	093 1767 000	1	Gleitlager (UZ984)	Machine outphased 1998
31	093 1756 000	7	SCREW RXS 3.9 16 Z.PL.	Machine outphased 1998
32	142 0894 000	1	Verl.-Kabel	
33	093 1786 000	2	SQUARE NUT M4	
34	18274	2	Senkschraube DIN963-M4x12-8.8	
35	011 3634 000	1	Hose Clip	



# EMPFOHLENE ERSATZTEILE

GD 930 GD 930S2, GD930Q

01-03-2015

ET-Liste-Nr.

B03135

17

Keine Zeichnung zur ET-Liste

# EMPFOHLENE ERSATZTEILE

GD 930 GD 930S2, GD930Q

01-03-2015

ET-Liste-Nr. BU3135

18

Pos	Artikelnr.	Me	Beschreibung
1	010 9299 540	1	Dirchtung GD 930
1	010 9678 500	1	Steckdose GD930
1	107401390	1	CORD SET CN 15.5M - KIT CN ONLY
1	140 1515 500	1	Filter Schaumstoff UZ 930
1	140 1535 500	1	MOTOR PROTECTION
1	140 2782 500	1	Schlauch PVC kompl.UZ 930, 32-1900mm
1	140 5055 500	1	Laufbandsatz GD 930
1	140 6423 500	1	Netzkabel 15m schwarz zu Backuum BB
1	140 6423 510	1	Anschlußkabel EU, 10 m
1	140 6423 520	1	CORD KIT CH L 15M Machine outphased 2010
1	140 6423 530	1	CORD UK L 15M
1	140 6423 540	1	CORD UK L 10M
1	140 6423 550	1	Anschlußkabel US 15m
1	140 6423 560	1	CORD US L 10M GROUNDED
1	140 6423 570	1	CORD JP L 15M
1	140 6423 580	1	CORD AU L 15.5M
1	140 7012 500	1	Motorplatte inkl. Thermo-
1	140 7012 510	1	Motorplatte
1	140 7014 500	1	StaubbeutelverschlussGD/UZ 930/S2 3 Stk
1	140 7019 500	1	Stoffbeutel GD 930 1 Stk
1	140 7023 500	1	Schalter GD 930 / S2
1	140 7024 500	1	Schaltkarte GD 930
1	140 7025 500	1	Lenkrolle GD 930
1	140 7026 500	1	2 Stufenschalter GDP 2000
1	140 7026 510	1	2S CIRCUIT BOARD 110-120V KIT
1	140 7033 500	1	Schalter GD 930
1	140 7665 500	1	Steckdose 15A 250V
1	140 7800 500	1	Griffgummi GD 930/S2
1	140 7801 500	1	Deckel mit Filter fürGD 930
1	140 7801 510	1	LID WITH HEPA FILTER
1	140 7832 500	1	Kesselklammerset GD 930
1	140 7902 500	1	FAN UNIT KIT DOMEL 230V
1	140 7902 510	1	Motor 930/934, 110-120V
1	140 7902 520	1	FAN UNIT KIT DOMEL 240V
1	140 7902 530	1	FAN UNIT KIT DOMEL 100V

# Wiring

GD 930 GD 930S2, GD930Q

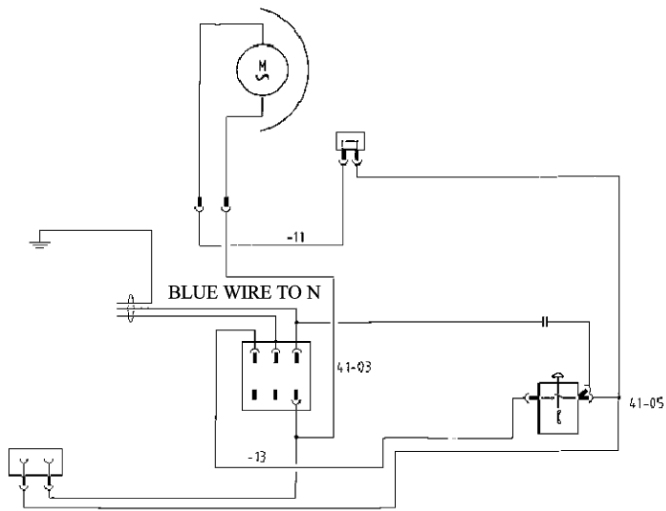
01-03-2015

ET-Liste-Nr.  
GD93006

19

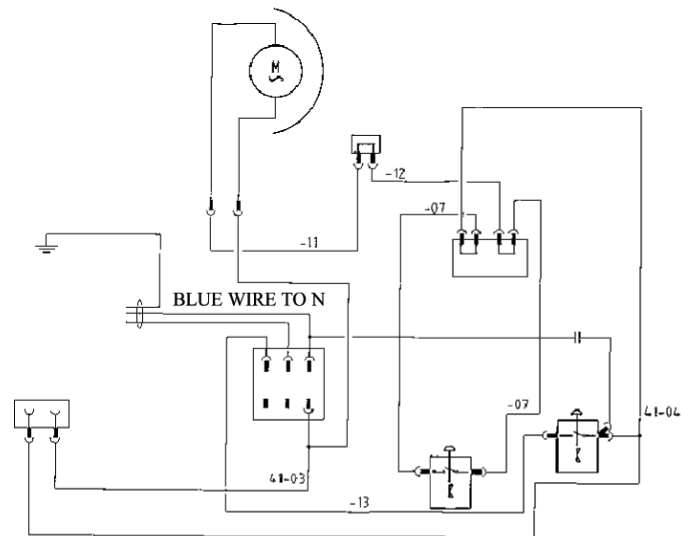
## GD 930 GROUNDED VERSION

FOR THE NEW DOMEL  
FAN UNITS



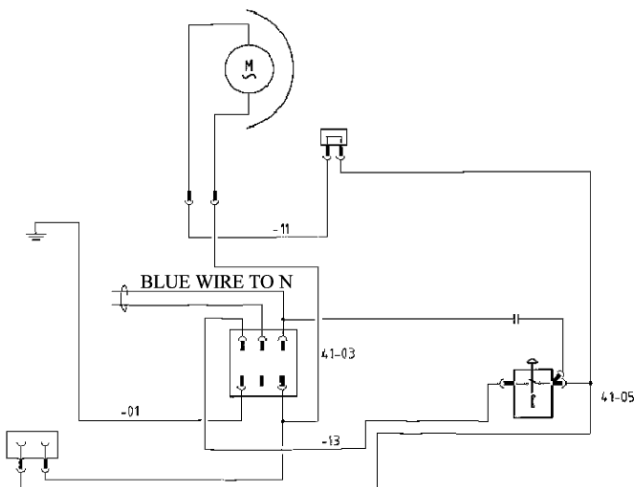
## GD 930S2 GROUNDED

FOR THE NEW DOMEL  
FAN UNITS



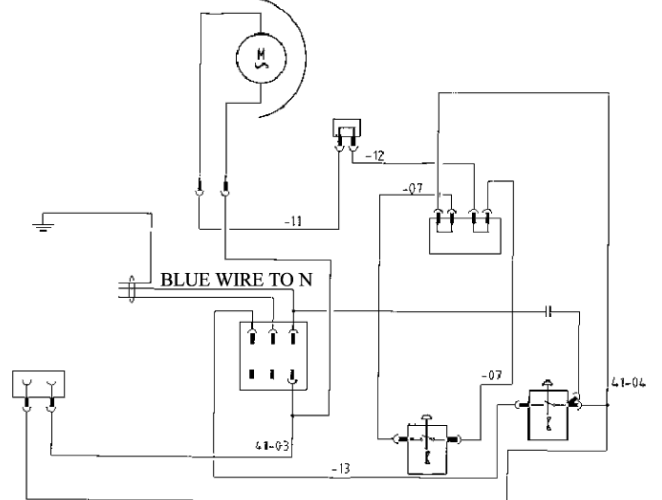
## GD 930 DOUBLE INSULATED

FOR THE NEW DOMEL  
FAN UNITS



## GD 930S2 DOUBLE INSULATED

FOR THE NEW DOMEL  
FAN UNITS



# Wiring

GD 930 GD 930S2, GD930Q

01-03-2015

ET-Liste-Nr. GD93006

20