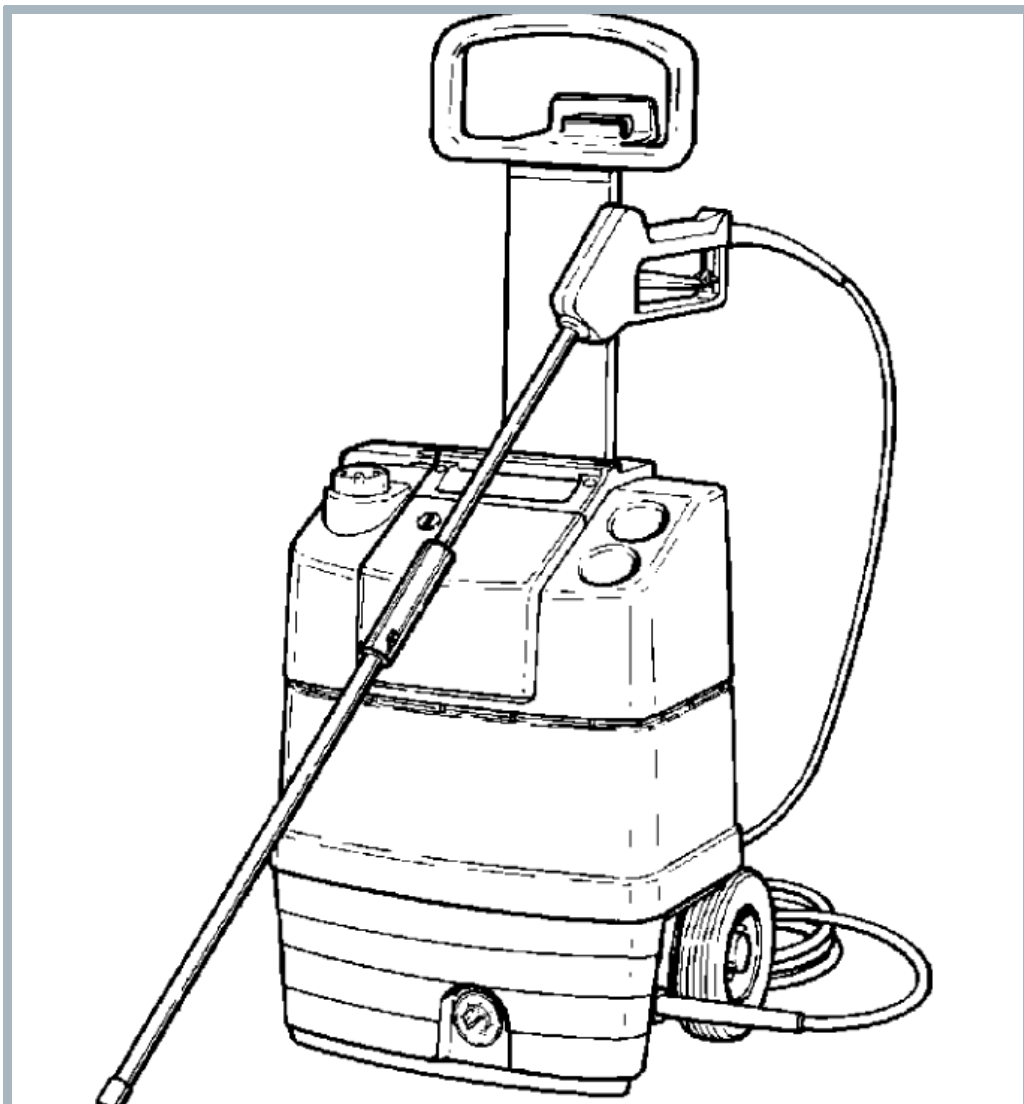


PROFESSIONAL

Model:
PROFESSIONAL 5500-
6500



Part List US-English

13-02-2015

Table of Contents

PROFESSIONAL

Cabinet parts	3
Electric parts	5
Motor pump	7
By-pass valve	10

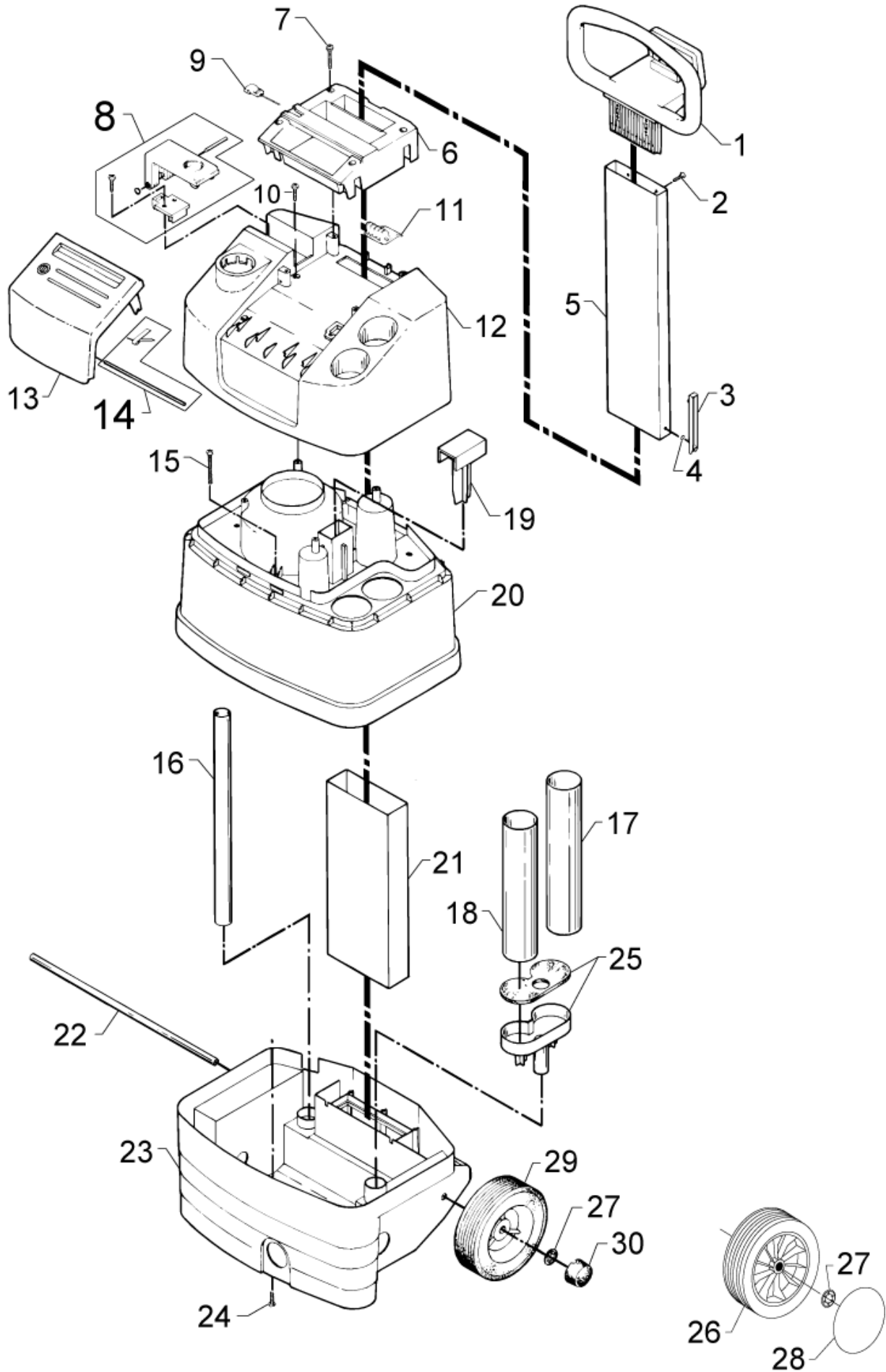
Cabinet parts

PROFESSIONAL

13-02-2015

Part List ID
PROFESSIONAL02

3



Cabinet parts

PROFESSIONAL

13-02-2015

Part List ID
PROFESSIONAL02

4

Pos	Part no.	Qty	Description
2	1814235	2	SCREW KB50 X 16 WN1443
3	6124132	6	GUIDE RAIL
4	3004108	12	O-RING 5.28X1.78 NITRIL 90 SH
6	6124354	1	CARRYING HANDLE 5000
6	6523013	1	CARRYING HANDLE S/S
7	1814227	4	SCREW
8	6124289	1	HOLDER F. CONTAINER
9	6520844	1	CLEANING TOOL BLACK
10	1810381	4	SCREW-EJOT KB60X20
11	6126975	1	ECCENTRIC F. CARRYING HANDLE
12	6126978	1	TOP CABINET S/S ALTO
13	6124355	1	PUSH BUTTON
14	6124290	1	SPINDLE F. PUSHBUTTON. COMPL.
15	1809821	3	SCREW M5X50 DIN 7985
16	6124161	1	TUBE
17	6124160	1	SUPPORT F. SPRAY LONG LONG
19	6124137	1	CONTACT ARM
21	6126907	1	DRIVING HANDLE BOTTOM PART BOTTOM PART
22	6124244	1	AXLE
24	1809896	2	SCREW M6X20
26	6526560	2	WHEEL. Ø12. 5 HOLE
27	1814243	2	LOCK WASHER
28	6526565	2	HUB CAP BLUE
29	6124172	2	WHEEL
30	6124219	2	HUB CAP ALTO

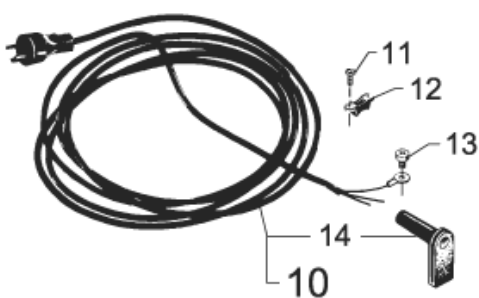
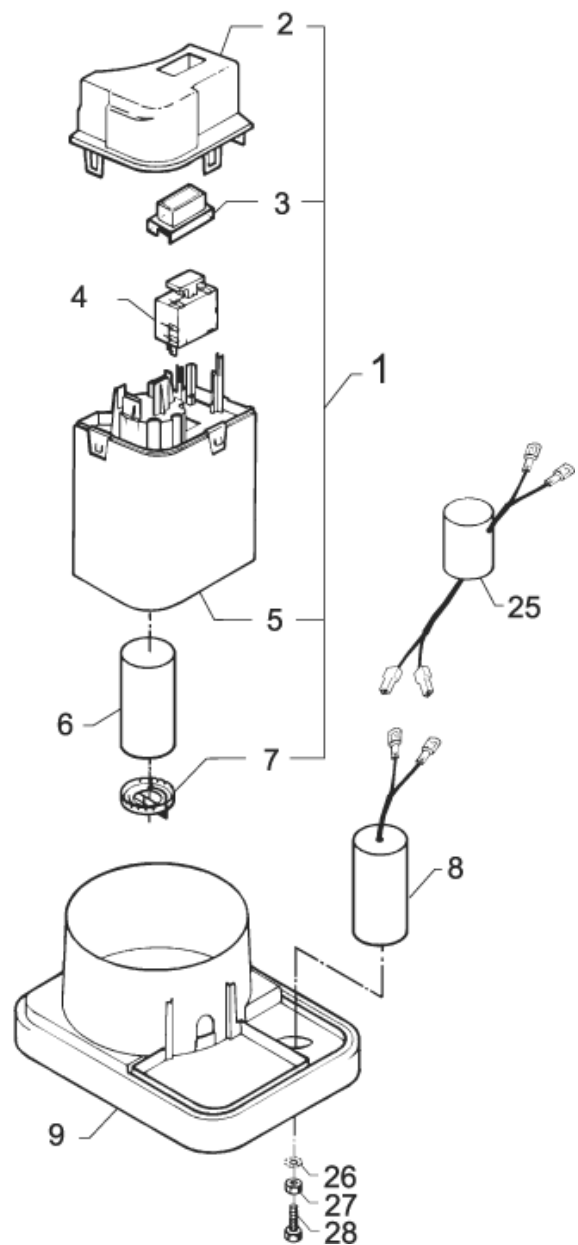
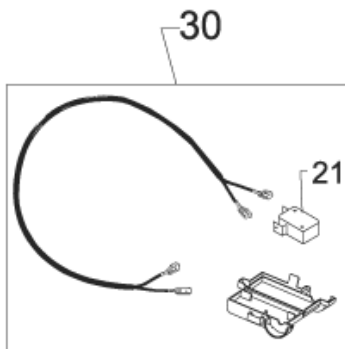
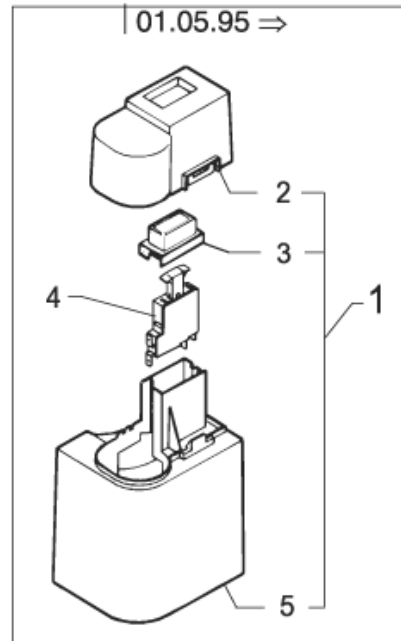
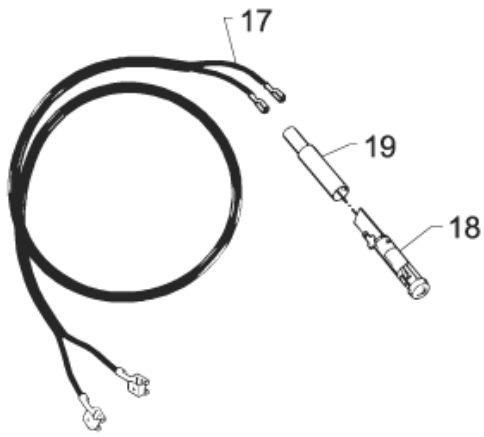
Electric parts

PROFESSIONAL

13-02-2015

Part List ID
PROFESSIONAL04

5



Electric parts

PROFESSIONAL

13-02-2015

Part List ID
PROFESSIONAL04

6

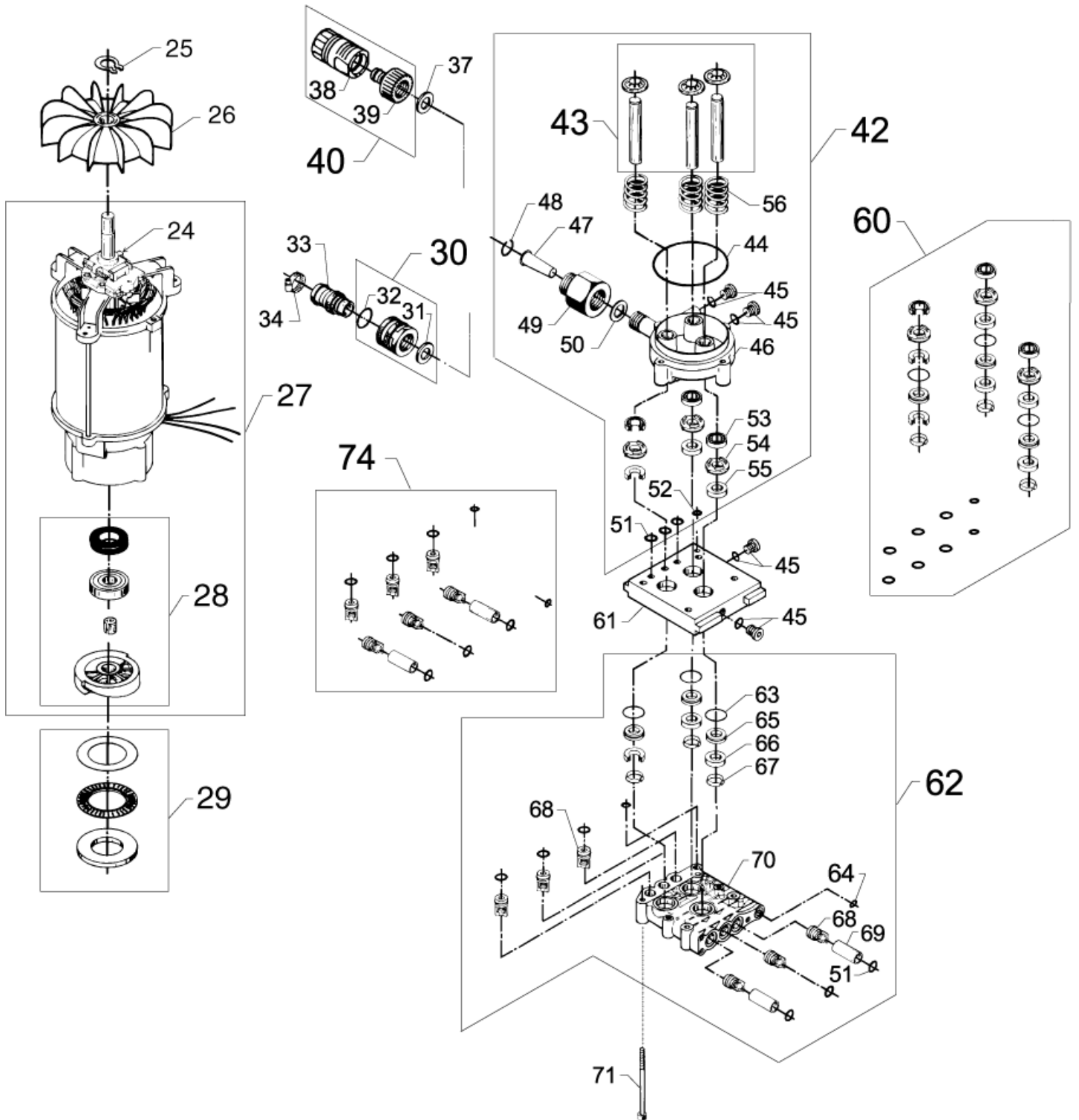
Pos	Part no.	Qty	Description	
1	6125548	1	EL. UNIT COMPL.	* FROM 01.05.95
2	6122108	1	TOP FOR EL. UNIT	UP TO 01.05.95, USA,CDN
2	6122153	1	TOP FOR. EL. UNIT	FROM 01.05.95
3	6122105	1	RUBBER CAP	50 HZ-12 A
4	3817012	1	PUSH BUTTON SWITCH 15A -	USA, CDN, 15A
4	3821341	1	SWITCH 12 A	FROM 01.05.95, 50 HZ-9,5 A
4	6124300	1	PUSHBUTTON SWITCH 9. 8A	UP TO 01.05.95, 50 HZ-12 A
4	6124301	1	PUSHBUTTON SWITCH 12A	UP TO 01.05.95, 50 HZ-12 A
5	6122150	1	SOCKET FOR E. UNIT	FROM 01.05.95
6	3821063	1	CAPACITOR START-UP 160	160 ÁF, USA, CDN
6	3821343	1	CAPACITOR 50AF	50 ÁF, USA,CDN
8	3821342	1	CAPACITOR. START-UP. 50MICRONF	USA, CDN
8	3821410	1	CAPACITOR -OPERATION 100	100 ÁF, USA, CDN
10	6124327	1	EL. CABLE WITH PLUG 12A	A,D, F 10/12 A
11	6122531	2	SCREW Ø 3X22. 5	
12	3806262	1	STRAIN RELIEF BRACKET 27.	
14	6122125	1	RUBBER BUSH	
17	3821393	1	CABLE FOR LIGHT INDICATOR	S/S
18	3821432	1	LIGHT INDICATOR. S/S	S/S
19	6522791	1	SEALING F. LIGHT INDICATOR	
21	3821991	1	MICROSWITCH WORKED P12476	S/S, USA, CDN
25	1119612	1	CAPACITOR WIRE REP.KIT	
26	1810274	1	WASHER M8 - DIN 6798J	
27	2758	1	HEXAGON NUT M8	
30	6126973	1	BOX W. SWITCH CABLE	

Motor pump PROFESSIONAL

13-02-2015

Part List ID
PROFESSIONAL06

7



Motor pump

PROFESSIONAL

13-02-2015

Part List ID
PROFESSIONAL06

8

Pos	Part no.	Qty	Description	
24	6126969	1	CENTRIFUGAL SWITCH	
25	1809839	1	CIRCLIP	
26	6122476	1	FAN	*
27	6124320	1	MOTOR W. WOBBLE DISC 10A	10A, *X
27	6124321	1	MOTOR W. WOBBLE DISC.	12A, *D
28	6124322	1	WOBBLE DISC 10A REP.KIT	*X
28	6124323	1	WOBBLE DISC. 12A REP.KIT	*D
29	6122653	1	BEARING REP.KIT	
30	1602945	1	QUICK COUPLING 3/4 W/GASKET	
31	3001237	1	GASKET Ø24.5XØ16X3 NITRIL 80SH	
32	3000320	1	O-RING 20X3 NITRIL	
33	1600659	1	LP NIPPLE F. Q.-COUPLING 3/4IN	3/4"
33	1604669	1	NITO COUPLING HOSE END 1	1/2"
33	1605955	1	NIPPLE F. QUICK COUPLING L.P	USA, CDN
34	8298	1	HOSE CLIP 16-27	
37	3001237	1	GASKET Ø24.5XØ16X3 NITRIL 80SH	
38	1608629	1	GARDENA COUPLING HOSE END 1/2 BULK	
39	1402809	1	QUICK COUPLING MALE W. INTERNAL THREAD	
40	6410056	1	QUICK COUPLING COMPL.	
42	6124333	1	CYLINDER BLOCK COMPL. 5000	
43	1119706	1	PISTON REP.KIT	
44	3003654	1	O-RING 80X2 NITRIL 70 SHORE	
45	6122313	4	PLUG WITH O-RING	
46	7181005	1	CYLINDER BLOCK	
47	6125144	1	FILTER	
48	1807833	1	CLAMPING RING	
49	6124240	1	UNION NUT 3/4	
50	3001690	1	O-RING 19.3X2.4 NITRIL 70SH	
51	3004222	12	O-RING 15.1 X 1.6 NITRIL SH 90	
52	3001823	2	O-RING 6.1X1.6 NITRIL 70 SH	
53	3003696	3	OIL SLEEVE 14X22X5/7	
54	6122486	3	THRUST COLLAR	
55	3004231	3	GASKET 22X14X5.5	
56	2601417	3	SPRING	
60	6124335	1	SEALINGSYSTEM REP.KIT	
61	6124195	1	INTERMEDIATE PLATE	
62	6124305	1	CYLINDER HEAD COMPL.	
63	3004230	3	O-RING 22.22X2.62 NITRIL 70 SH	
64	3003688	1	O-RING 11.11X1.78 NITRIL 70 SH	
65	6124141	3	CENTERING RING	
66	3004227	3	U-SLEEVE	
67	3004228	3	WS-RING	
68	7180906	6	VALVE COMPL.	

Motor pump

PROFESSIONAL

13-02-2015

Part List ID
PROFESSIONAL06

9

Pos	Part no.	Qty	Description
69	6122475	2	SPACER FOR VALVE
70	6124243	1	CYLINDER HEAD
71	1813872	4	SCREW M6X85
74	1119707	1	VALVE SYSTEM REP.KIT

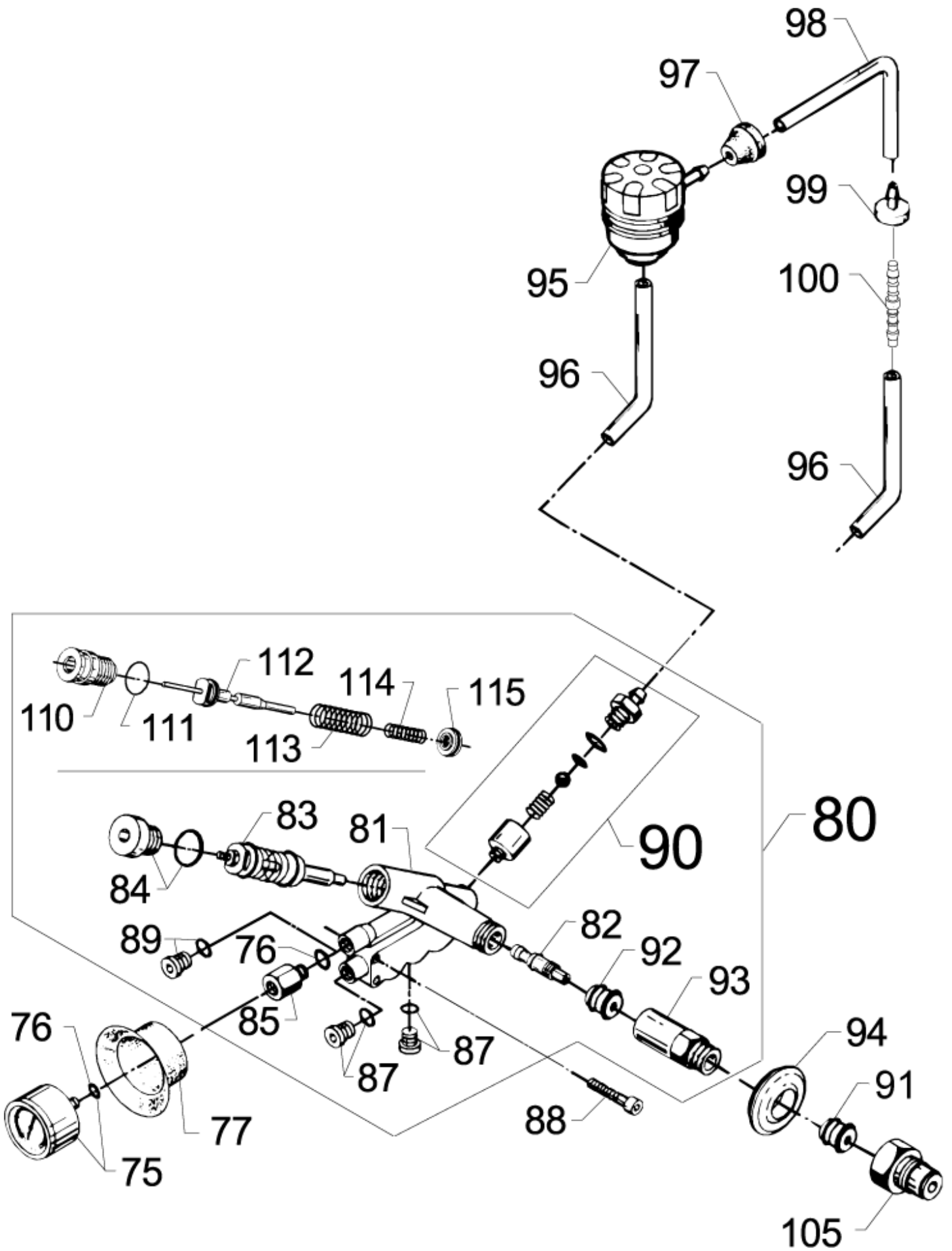
By-pass valve

PROFESSIONAL

13-02-2015

Part List ID
PROFESSIONAL08

10



By-pass valve PROFESSIONAL

13-02-2015

Part List ID
PROFESSIONAL08

11

Pos	Part no.	Qty	Description	
75	6122315	1	PRESSURE GAUGE W. O-RING	
76	3003662	2	O-RING 6.0X2.0 NITRIL 70 SH	
80	6124308	1	BY-PASS VALVE COMPL. 5000	12A
80	6124309	1	BY-PASS VALVE COMPL. 5500	10A
80	6124339	1	BY-PASS VALVE COMPLETE 5000	10A
80	6124340	1	BY-PASS VALVE COMPLETE	12A
80	6523004	1	BY-PASS VALVE S/S 6100 12A	S/S, 12A
80	6523005	1	BY-PASS VALVE S/S	S/S, 10A
80	6523006	1	BY-PASS VALVE S/S	S/S, 12A
80	6523007	1	BY-PASS VALVE S/S D COMPL.	SPEC. D F ³ R S/S
81	107180690	1	VALVE HOUSING W. BUSHING	MESSING / BRASS
81	6122602	1	VALVE HOUSING	
81	6124238	1	VALVE HOUSING EXTENDED FOR D	SPEC. D
82	6122365	1	STEERING NOZZLE GREEN	GREEN
82	6124311	1	STEERING NOZZLE BLUE	BLUE
82	6124312	1	STEERING NOZZLE COMPL. D	SPEC. D
83	6124313	1	VALVE CONE COMPL.	
84	6123654	1	PLUG WITH O-RING	
84	6124334	1	PLUG W. O-RING	
85	6124127	1	SPACER FOR PRESSURE GAUGE	
87	6123655	2	PLUG W. O-RING REP.KIT	
87	6180913	1	HOLE PLUG W. O-RING	
88	1814573	3	SCREW M6X35	
89	6180913	1	HOLE PLUG W. O-RING	
90	6124314	1	HOSE TAIL COMPL. DETERGENT	
91	6124346	1	NIPPLE WITH O-RING STEEL	BRASS
92	6124316	1	NIPPLE W. O-RING	
93	6124126	1	THREADED PIECE 5000	
93	6124169	1	HREADED PIECE	BRASS
95	6124317	1	METERING VALVE	
96	5206636	1	HOSE 6/10	
97	3803780	1	GROMMET 10-14C	
98	6124319	1	HOSE FOR DETERGENT FILTER	
99	6400240	1	CHEMICAL FILTER /PLASTIC/	
100	1609114	1	HOSE TAIL	
105	1402569	1	QUICK COUPLINGSNIPPLE COMP.	
110	6523000	1	STUFFING BOX COMPL.	
111	3004245	1	O-RING Ø15.88X2.62 NITRIL 90 SH	
112	6523001	1	PISTON FOR S/S COMPL.	F. S/S, COMPL.
113	2602431	1	SPRING FOR AUTO S/S LARGE	
114	2602449	1	SPRING FOR AUTO S/S SMALL	
115	6523002	1	SEAT FOR S/S COMPL.	