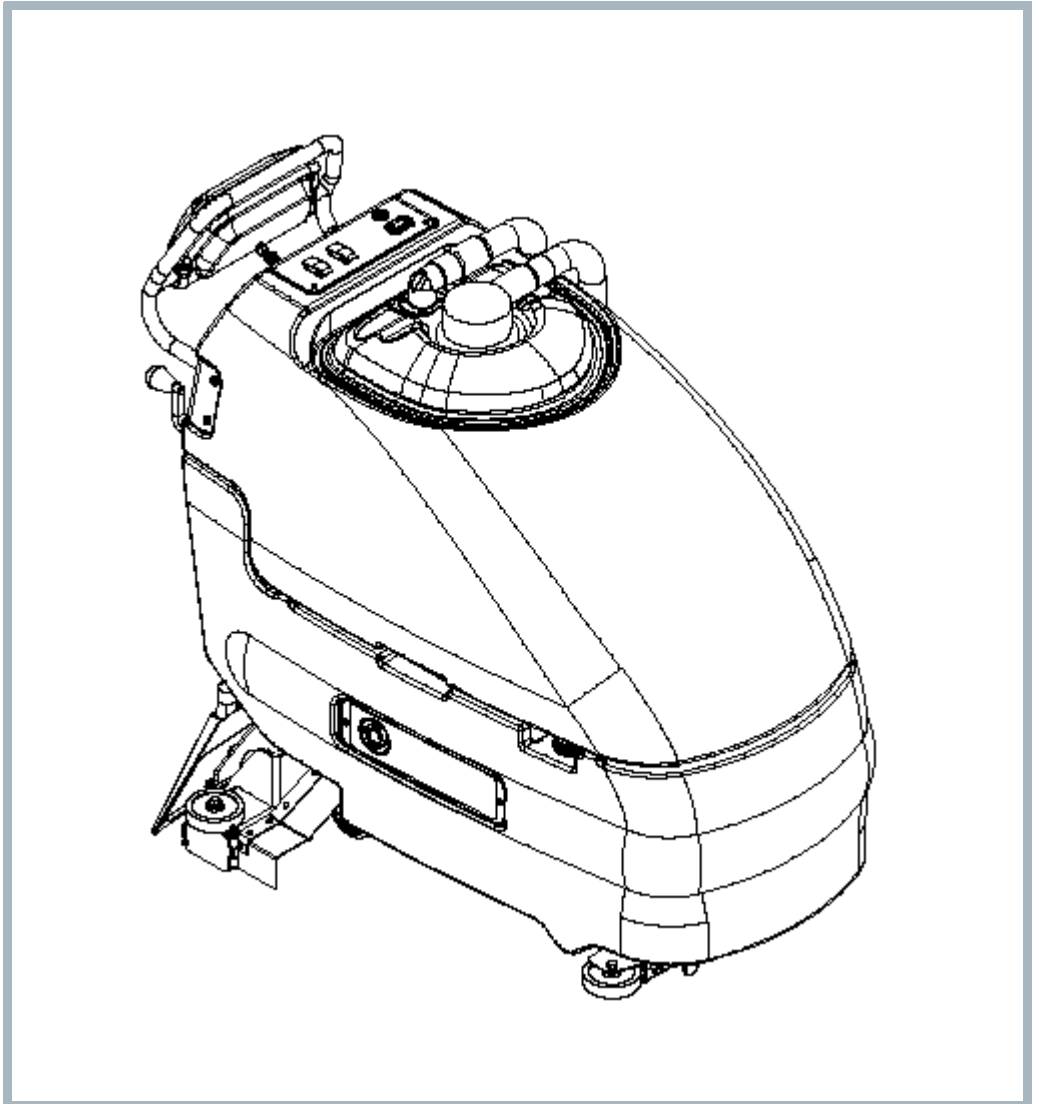


AX 650

Model:
AX 650



Part List US-English

29-03-2015

Table of Contents

AX 650

AUQUAKIT	3
Brush system	5
Recovery system	8
Control panel / Handle paddle assemblies	11
Decal system	13
Chassis system	15
Chassis system-2	19
Solution system	21
Traction system	24
Wiring diagram	26

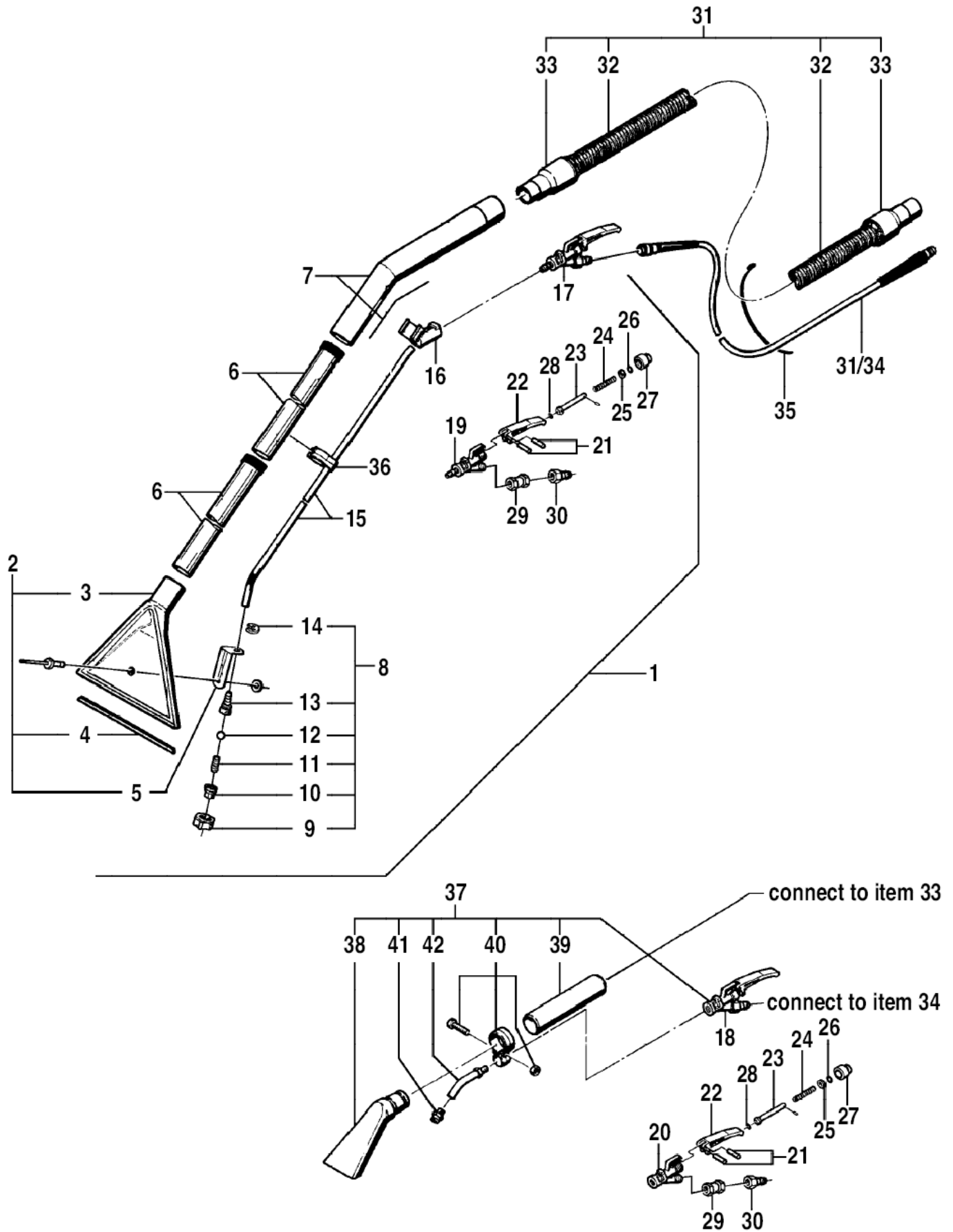
AUQUAKIT

AX 650

29-03-2015

Part List ID
AUQUAKIT3

3



AUQUAKIT

AX 650

29-03-2015

Part List ID
AUQUAKI13

4

Pos	Part no.	Qty	Description
0	56801000	1	AQUA KIT
1	56800390	1	FLOOR TOOL ASSY.
2	56801032	1	CPL SUCTION NOZZLE W/SPRAY TIP
3	56801032	1	CPL SUCTION NOZZLE W/SPRAY TIP
4	56801002	1	SLIDING BLADE
5	56801003	1	MT. BRKT.
7	56800652	1	TOOL HANDLE TW COMP
8	56801032	1	CPL SUCTION NOZZLE W/SPRAY TIP
9	56801006	1	CAP NUT
10	56801007	1	SPRAYING NOZZLE WHT
13	56801009	1	HOLDER/NOZZLE
15	56800680	1	PRESSURE HOSE 06/8
16	56800681	1	TRIGGER MT. BRKT.
17	56800650	1	SPRAY VALVE COMPL.
18	56800670	1	SPRAY VALVE COMPL.
19	56800671	1	VALVE BODY
20	56801014	1	VALVE BODY
23	56801017	1	VALVE PIN
29	56900032	1	COUPLING E00041
30	56249857	1	HOSE Q DISC PLUG .25 M NPT
31	56249318	1	VAC HOSE 1.50 ASSY.
32	56393773	1	HOSE RAW E00226
33	56323377	2	CUFF HOSE
34	56249919	1	HOSE ASSY.
35	56477613	10	CABLE TIE E00549 RE409S
36	48375	1	HOSE CLIP
37	56800385	1	HAND TOOL ASSY.
38	56800672	1	NOZZLE HSG. 8MM
39	56800675	1	PIPE 0 33MM
40	56800657	1	GUIDE BRIDE COMPL.
41	56801023	1	JET NOZZLE 11004
42	56801024	1	PIPE BEND

Note:

Pos No. 0 means not show ed.

Brush system

AX 650

29-03-2015

Part List ID C2313

6

Pos	Part no.	Qty	Description
1	56001884	2	NUT HEX JAM 5/16-24
3	56002063	3	WSH FLT SAE 3/8
4	56002684	1	SCR HEX 3/8-16 X 1.75
5	56002836	1	NUT HEX NYL LOC SS 10-24
6	56002769	2	NUT HEX NYL LOC 3/8-16
7	56002770	2	NUT HEX NYL LOC 1/2-13
8	56212241	12	CLIP PANEL
9	56002856	2	NUT HEX NYL LOC SS 5/16-18
10	56002859	1	WSH FLT SAE SS 1/4
11	56003495	2	SCR HEX S.S. 1/2 13 X 1.5
12	56002909	2	SCR PAN PHIL SS 6-32 X .38
13	56002918	6	WSH FLT SAE SS 1/2
14	56002938	2	WSH FLT SAE SS 5/16
15	56002950	2	NUT HEX NYL LOC 5/16-24
16	56002964	2	NUT HEX NYL LOC THIN SS 6-32
17	56410254	3	WIRE ROPE ASSY 6.0
18	56003262	4	RING RET EXT TYPE E
19	56003264	2	RING RET EXT TYPE E
20	56003268	1	RING RET EXT TYPE E REINF
21	56002832	1	NUT HEX NYL LOC-THIN 10-24
22	56009012	2	SCR HEX THD FORM 10 24X.38
23	56009095	1	NUT CONDUIT LOCK 1/2 14
24	56009205	2	WSH FLT SS .219X.500X.047/.062
25	56185264	2	BEARING FLANGE E00201
26	56232181	1	BUSHING .37X.56X.31FC218J
27	56250414	4	BEARING FLANGE .752FA1J E00201
28	56323135	1	STRAIN RELIEF E00220
29	56324369	1	PIN
30	56324505	2	BEARING FLANGE.376E00201
31	56360627	2	BUSHING .50X.62X.41CT32G
32	56362778	1	KNOB 1.25X1/4-28 CA29M
33	56212239	2	BEARING SLEEVE
34	56412312	2	ROD END 5/16 R.H.
35	56471194	1	LATCH ASSY RE32
36	56478781	2	BEARING SLEEVE .627RE450CE0202
37	56003105	2	RING RET INT SS TYPE WHT
38	56003131	1	SCR HEX SS 10-24 X 2.50
39	56002959	2	PIN COT HAIR SS.090XDIA.50/.75
40	56003153	1	PIN HITCH COTTERLESS.250X2.50
41	56003188	2	SCR PAN PHIL SS 8 32 X .25
42	56009131	2	SCR SOC SET LOC 5/16-18X.31
43	56467039	2	GASKET
44	56054018	1	SPACER STEEL

Brush system

AX 650

29-03-2015

Part List ID C2313

7

Pos	Part no.	Qty	Description	
45	56111639	1	WHEEL 4.00 DIA.	
46	56212027	1	SHEAVE POLY-V	
47	56212036	2	BODY NOZZLE	
48	56212037	1	NOZZLE SPRAY	(.24gal/min)
49	56212042	1	GUARD BELT	
50	56212045	1	COVER PULLEY	
52	56212060	1	ROD LIFT	
53	56212067	1	HOUSING WELDMENT	
54	56212098	1	BRUSH ASSEMBLY	
54	56212240	1	BRUSH/BEARING KIT	Not shown
55	56212099	2	LINK	
56	56003239	1	KEY SQ .19 X 1.00	Not shown
56	56212100	1	MOTOR DC-36V 1/2HP 1800RPM	
57	56212103	1	NOZZLE SPRAY	(1.2 gal/min)
58	56212106	1	BRUSH ADJUST WELDMENT	
59	56212154	2	SKIRT DECK	
60	56212157	1	BEARING RETAINER WELDMENT	TSBUS2002-803
61	56212166	1	BLOCK TENSIONER	
63	56212168	1	BELT POLY-V 140J6	
64	56212174	2	SHOE WELDMENT	
65	56212197	1	NOZZLE WELDMENT	
66	56212209	1	ROD LOCK	
67	56212214	1	SHOE SUPPORT WELDMENT	
68	56228142	1	SPRING COM .48X1.50 E00453	
69	56212104	2	PIN	
70	56632681	4	WASHER 3/8PL.NYLON--	
71	56635868	1	ASM KNOB--ADJUSTMENT .375-16	
72	56009048	1	NUT WING LOC 1/4 20	
73	56212050	1	CORD ASSY 14/2	
74	56002431	2	WSH FLT SAE 4	
76	56002746	2	NUT HEX NYL LOC SS 4-40	
77	56262648	1	BEARING BLOCK - R	TSBUS2002-803

Recovery system

AX 650

29-03-2015

Part List ID

CZ315

9

Pos	Part no.	Qty	Description
1	56001821	1	SCR HEX 1/4 20 X .88
2	56001954	4	WSH FLT SAE 10
3	56002043	4	SCR PAN PHIL 10 24 X .38
4	56002831	4	SCR PAN PHIL-BLK 10-24 X .50
5	56002836	9	NUT HEX NYL LOC SS 10-24
6	56002849	4	NUT HEX NYL LOC-THIN SS 10-24
7	56002701	11	NUT HEX NYL LOC 5/16-18
8	56002859	30	WSH FLT SAE SS 1/4
9	56002896	15	SCR PAN PHIL SS 10-24 X .62
10	56002898	4	SCR PAN PHIL SS 10-24 X 1.00
11	56002958	1	SCR PAN PHIL SS 1/4-20 X 1.25
12	56002989	11	SCR PAN PHIL SS 1/4-20 X .62
13	56003067	1	SCR. PAN PHIL. SS 1/4-20-1.00
14	56003087	2	SCR PAN PHIL SS 1/4-20X .88
15	56003119	4	SCR PAN PHIL SS 1/4 20 X .50
16	56209261	4	WASHER SEALING
17	56228046	3	BUSHING .31X.50X.37FC105A
18	56244866	1	CAP BLACK NYLON
19	56324497	2	FLOAT CAGE
20	56329145	2	CLAMP HOSE SAE 24 E00047
21	56391690	1	BALL FLOAT
22	56407361	6	CLAMP PLASTIC
23	56456802	1	ELBOW 3/4 X 3/4 E00037
24	56470138	1	BARB 1/4 X 90 DEG E00037
26	56212018	1	BRACKET HOSE
27	56212022	1	TANK RECOVERY
28	56212028	1	BRACKET PROP
29	56212043	1	BRACE TANK
30	56212046	1	BRACE TANK
31	56212052	1	HOSE PVC .25X17.0
32	56212059	1	BAR PROP
33	56212064	1	PADDLE HANDLE ASSY
34	56212066	1	CONTROL PANEL ASSEMBLY
35	56212083	1	BREAKER PLATE
36	56212084	1	WELDMENT BLADDER MOUNT
37	56212085	1	WELDMENT BLADDER DRAIN
38	56212087	1	BRACKET DRAIN HOSE
39	56212091	1	COUPLING FLOAT
40	56212122	1	DRAINHOSE
41	56212133	2	PLATE BLADDER MOUNT
42	56212140	2	BAR BLADDER MOUNT
44	56212151	1	VAC HOSE ASSY.
46	56212171	1	BLADDER

Recovery system

AX 650

29-03-2015

Part List ID
C2315

10

Pos	Part no.	Qty	Description
46	56212189	1	LID DOME COMPLETE
47	56212245	1	DOME LID ASSEMBLY
48	56212205	1	GASKET PRESS ON
49	56212206	2	O RING E00042
50	56212208	1	ELBOW 1.75 O.D.
51	56212058	2	STRAP RETAINER
52	56009098	2	WSH FLT SS .125X500X.036
53	56003293	2	RIVET POP A/S .125 X .38/.50
54	56212231	1	ADAPTER WELDMENT
55	56212232	1	STRIKE LATCH
56	56212236	1	CLAMP PLASTIC
57	56396167	1	STRAP
58	56756364	2	CLAMP HOSE SAE 4 E00047
59	56212210	2	GASKET UPPER
60	56002894	1	SCR PAN PHIL SS 10-24 X .75
61	56311057	2	COUPLER CHAIN TR330D
62	56410254	1	WIRE ROPE ASSY 6.0
63	56003633	1	SCR PAN PHIL PLAS.SS10-14X.5
64	56212211	1	GASKET BOTTOM
65	56212230	2	HOSE VAC
66	56477613	2	CABLE TIE E00549 RE409S

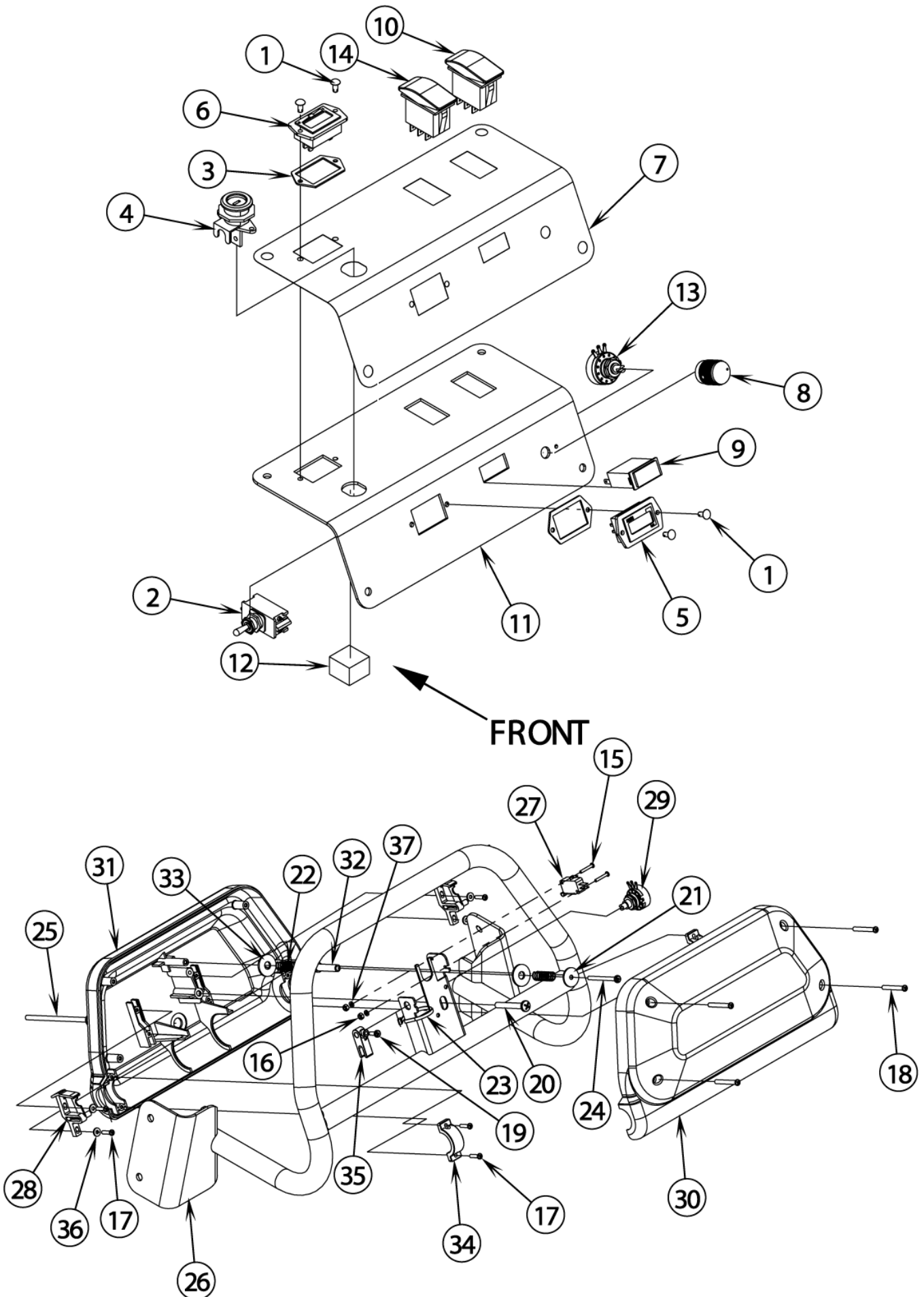
Control panel / Handle paddle assemblies

AX 650

29-03-2015

Part List ID C2317

11



Control panel / Handle paddle assemblies

AX 650

29-03-2015

Part List ID C2317

12

Pos	Part no.	Qty	Description	
0	56212064	1	PADDLE HANDLE ASSY	Pos. 15-37
0	56212066	1	CONTROL PANEL ASSEMBLY	Pos. 1-14
1	56009192	4	RIVET PUSH NYLON BLACK	
2	56301636	1	SWITCH TOGGLE	Main Power
3	56392845	2	GASKET	
4	56393325	1	BRACKET KEYLOCK	
4	56393415	1	KEY REPLACEMENT	Not shown
5	56393718	1	HOURMETER	
6	56416395	1	FUEL GAUGE BATTERY	
7	56016305	1	DECAL INSTRUMENT PANEL	
8	56056596	1	KNOB PLASTIC BLACK	
9	56212015	1	AMMETER DC	
10	56212017	1	SWITCH DPDT ROCKER	Vacuum
11	56212065	1	PANEL CONTROL	
12	56212119	1	RELAY ASSEMBLY	
13	56397123	1	POTENTIOMETER 25K	Speed Limit
14	56212017	1	SWITCH DPDT ROCKER	Pump
15	56002713	2	SCR PAN PHIL 4-40 X .75	
16	56002746	2	NUT HEX NYL LOC SS 4-40	
17	56003197	8	SCR PAN PHIL PLASTITE 6-18X.62	
18	56003199	4	SCR PAN PHIL PLASTITE 8-15X1.5	
19	56003354	1	SCR-PAN PHIL M4-0.7 X 12 MM	
20	56003527	1	SCR PAN PHIL PLAS 1/4 10X2.0	
21	56009096	1	WSH FLT .193X.875X.060	
22	L08812343	2	SPRING.DRIVE CONTROL	
23	56478246	1	CABLE TIE E00549 RE438BA	
24	56009287	1	SCR PAN PHIL TYPE B 8 x 2.00	
25	56212024	1	HARNESS HANDLE	
26	56212063	1	WELDMENT HANDLE	
27	56263174	1	SWITCH SNAP SPDT	Brush
28	56397015	2	CAM CONTROLLER	
29	56397029	1	POTENTIOMETER 5K	Throttle
30	56397030	1	PADDLE FRONT MOLDED	
31	56212056	1	PADDLE BACK MOLDED	
32	56397109	1	SLEEVE	
33	56397170	3	WSH PLASTIC	
34	56397171	2	CLAMP	
35	56109648	1	POTENTIOMETER FORK	
36	56002006	4	WSH FLT SAE 6	
37	56002431	2	WSH FLT SAE 4	

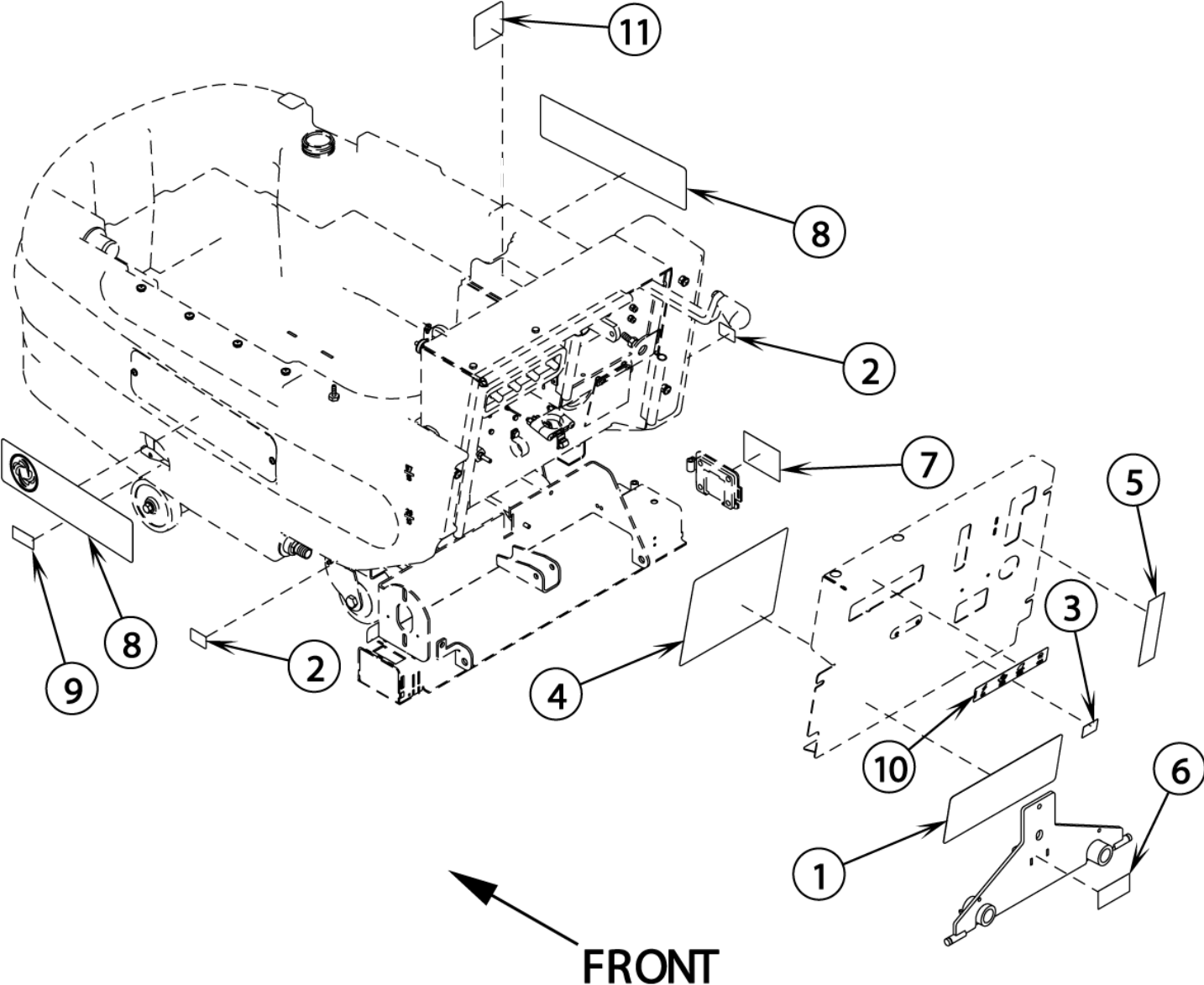
Decal system

AX 650

29-03-2015

Part List ID
C2319

13



Decal system

AX 650

29-03-2015

Part List ID

C2319

14

Pos	Part no.	Qty	Description
1	56014601	1	DECAL CAUTION
2	56015370	2	DECAL TIE DOWN
3	56016324	1	DECAL 36 VOLT CR398K
4	56016298	1	DECAL LADDER DIAGRAM
5	56015022	1	DECAL BRUSH PRESSURE
6	56015024	1	DECAL BRUSH ADJUSTMENT
7	56015034	1	DECAL BRUSH ASSEMBLY
8	56016326	2	DECAL AX650
9	56016302	1	DECAL NOZZLE
10	56016303	1	DECAL CIRCUIT BREAKER
11	56016304	1	DECAL BATTERY WIRING

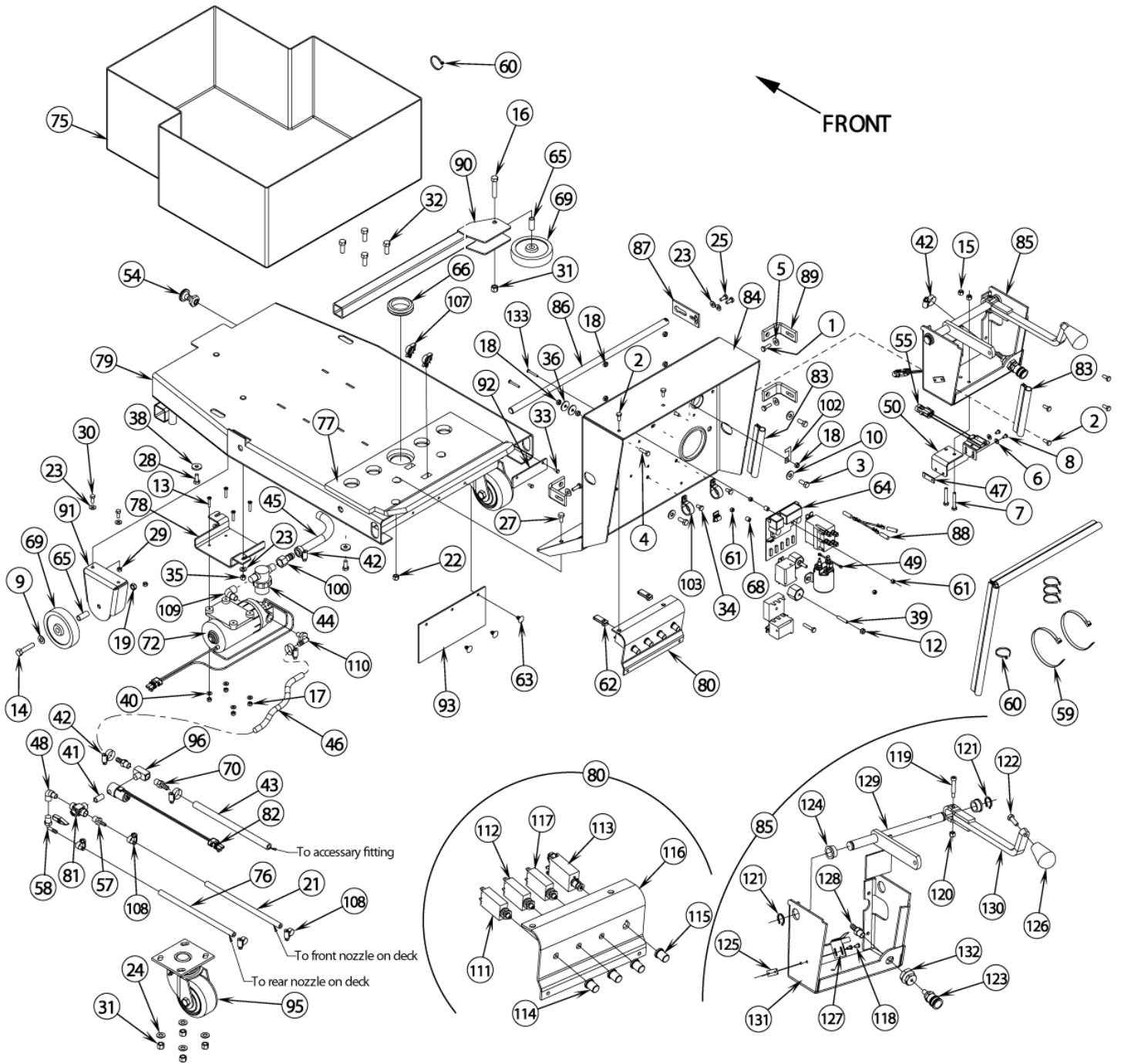
Chassis system

AX 650

29-03-2015

Part List ID
C23111

15



Chassis system

AX 650

29-03-2015

Part List ID
CZ3111

16

Pos	Part no.	Qty	Description
1	56001821	3	SCR HEX 1/4 20 X .88
2	56001836	6	SCR HEX 1/4 20 X .62
3	56002667	3	SCR HEX 5/16-18 X .75
4	56002093	1	SCR HEX 1/4-20 X 1.00
5	56001906	3	WSH FLT STD 1/4
6	56001954	2	WSH FLT SAE 10
7	56001967	2	SCR HEX 1/4 20 X 1.75
8	56002043	2	SCR PAN PHIL 10 24 X .38
9	56002063	1	WSH FLT SAE 3/8
10	56001939	3	WSH FLT SAE 5/16
12	56002708	2	NUT HEX NYL LOC 1/4-20
13	56002674	4	SCR PAN PHIL 10-24 X 1.00
14	56002684	1	SCR HEX 3/8-16 X 1.75
15	56002708	2	NUT HEX NYL LOC 1/4-20
16	56002800	1	SCR HEX SS 3/8-16 X 2.00
17	56002836	4	NUT HEX NYL LOC SS 10-24
18	56002840	7	NUT HEX NYL LOC-THIN 1/4-20
19	56002769	1	NUT HEX NYL LOC 3/8-16
21	56212212	1	HOSE E00160
22	56002856	2	NUT HEX NYL LOC SS 5/16-18
23	56002859	6	WSH FLT SAE SS 1/4
24	56002910	8	WSH FLT SAE SS 3/8
25	56002922	2	SCR HEX LOC 1/4-20 X .62
27	56002035	2	SCR HEX 5/16 18 X .62
28	56003012	2	SCR HEX SS 5/16-18 X .75
29	56003426	2	NUT HEX NYL LOC SS M6
30	56003431	2	SCR HEX SS M6-1.00X16MM
31	56003219	9	NUT HEX NYL LOC SS 3/8 16
32	56002663	8	SCR HEX 3/8-16 X 1.00
33	56009012	2	SCR HEX THD FORM 10 24X.38
34	56009033	2	SCR HEX THD FORM 1/4 20X.50
35	56002491	2	NUT HEX NYL LOC SS 1/4-20
36	56009060	2	WSH FLT SS .260X1.000X.074
38	56009122	2	WSH FLT .344X.938X.125
39	56009203	2	STUD 1/4-20X1.31
40	56009205	4	WSH FLT SS .219X.500X.047/.062
41	56150223	1	NIPPLE 1/4 CLOSE BRG14E E00057
42	56219932	5	CLAMP HOSE SAE 6 E00047
43	56249723	1	HOSE E00169
44	56260905	1	STRAINER
45	56262180	1	HOSE SPIRAL .50 x 7 E00604
46	56264345	1	HOSE .375 X 10.00 E00169
47	56324310	1	NUT PLATE

Chassis system

AX 650

29-03-2015

Part List ID CZ3111

17

Pos	Part no.	Qty	Description	
48	56369632	1	ELBOW ST 1/4X90 BR E00031	
49	56389265	1	RECTIFIER ASSY.	
50	56393582	1	BRACKET SWITCH	
54	56420062	1	LATCH ASSEMBLY	
55	56462362	1	SWITCH ASSY.	Charger Interlock
57	56470111	1	BARB 1/4X1/4 BRASS E00039	
58	56470138	1	BARB 1/4 X 90 DEG E00037	
59	56477613	2	CABLE TIE E00549 RE409S	
60	56478246	16	CABLE TIE E00549 RE438BA	
61	56002877	4	NUT HEX NYL LOC SS 8-32	
62	56009289	2	NUT U MULTI THREAD 1/4 20	
63	56212241	3	CLIP PANEL	
64	56212261	1	CONTROLLER SPEED 36V	
65	56054018	2	SPACER STEEL	
66	56056215	1	GROMMET E00059	
68	56057428	2	SPACER ALUMINUM	
69	56111639	2	WHEEL 4.00 DIA.	
70	56155640	2	BARB 3/8X1/4 BRASS E00039	
72	56212014	1	PUMP DC--36V BY-PASS	
74	56212019	1	WIRING HARNESS	Not Shown
75	56212026	1	BATTERY BOX	
76	56212049	1	HOSE E00160	
77	56212051	1	GASKET VAC FILTER	
78	56212073	1	BRACKET PUMP MOUNT	
79	56212076	1	CHASSIS WELDMENT	
80	56212136	1	CIRCUIT BREAKER ASSEMBLY	Pos. 111-117
81	56212137	1	VALVE BALL 3 WAY	
82	56212138	1	VALVE SOLENOID -- 36VDC	
84	56212159	1	REAR FRAME WELDMENT	
85	56212160	1	LIFT HANDLE ASSEMBLY	Pos. 118-132
86	56212193	1	BAR DECK PIVOT	
87	56212194	1	BAR STEEL	
88	56212204	1	DIODE ASSEMBLY	
89	56212215	3	BRACKET L	
90	56212219	1	ARM WELDMENT	
91	56212222	1	BRACKET WHEEL	
92	56212224	1	PLATE SLIDE	
93	56212226	1	SKIRT CHASSIS	
95	56365555	2	CASTER SWIV 4.0X2.0	
96	56372506	1	TEE BRANCH 1/4 BR CV383C	
97	56372673	12	BOOT BATTERY POST	Not Shown
100	56397145	1	BARB HOSE FEMALE	
102	56409769	1	CLIP WEATHER PACK	

Chassis system

AX 650

29-03-2015

Part List ID
CZ3111

18

Pos	Part no.	Qty	Description	
103	56410223	2	CLAMP P 56E00623	
104	56460033	5	CABLE RING/RING E00192	Not Shown
105	56460034	1	CABLE RING/RING E00192	Not Shown
106	56460035	1	CABLE RING/RING E00192	Not Shown
107	56900756	2	CLIP E00360	
108	56756364	4	CLAMP HOSE SAE 4 E00047	
109	56900021	1	ELBOW STR 90 DEG. E00031	
110	56900035	1	ELBOW BARB E00037	
111	56329177	1	CIRCUIT BREAKER 6A	Control Circuit
112	56395454	1	CIRCUIT BREAKER 20A	Brush Motor
113	56452193	1	CIRCUIT BREAKER 40A	Vac Motors
114	56459367	3	BOOT RESET BUTTON E00585	
115	56459368	1	BOOT RESET BUTTON E00585	
116	56212132	1	BRACKET BREAKER MOUNT	
117	56395454	1	CIRCUIT BREAKER 20A	Drive Motor
118	56002043	2	SCR PAN PHIL 10 24 X .38	
120	56002708	1	NUT HEX NYL LOC 1/4-20	
121	56003257	2	RING RET EXT	
122	56003335	1	SCR HEX LOC SS 5/16-18 X .88	
123	56249568	1	SOCKET Q DISCONNECT .25 M NPT	
124	56250414	2	BEARING FLANGE .752FA1J E00201	
125	56324310	1	NUT PLATE	
126	56364527	1	KNOB 1.62X5/16-18 CA331-1	
127	56372088	1	SWITCH WATERPROOF	
128	56155640	1	BARB 3/8X1/4 BRASS E00039	
129	56212032	1	LIFT BAR WELDMENT	
130	56212035	1	LIFT LEVER WELDMENT	
131	56212112	1	BRACKET LIFT	
132	56745543	1	ADAPTER BLKHD 1/4 AC230N	

Chassis system-2

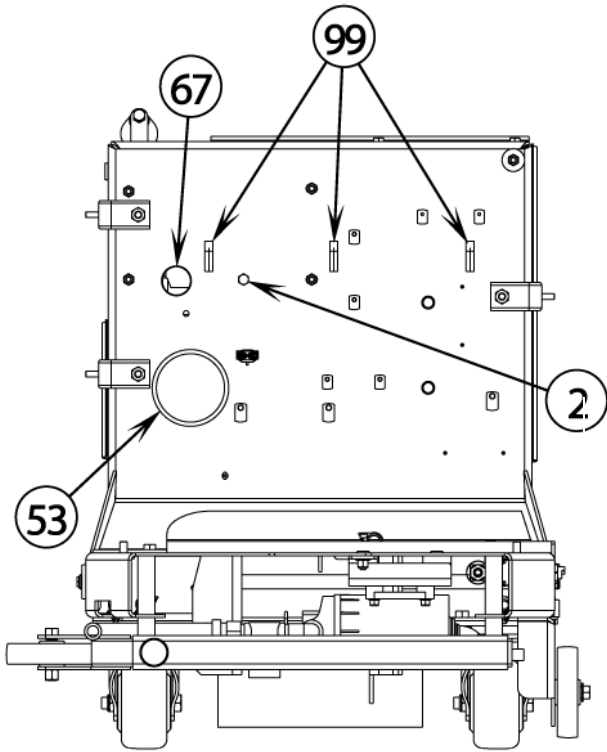
AX 650

29-03-2015

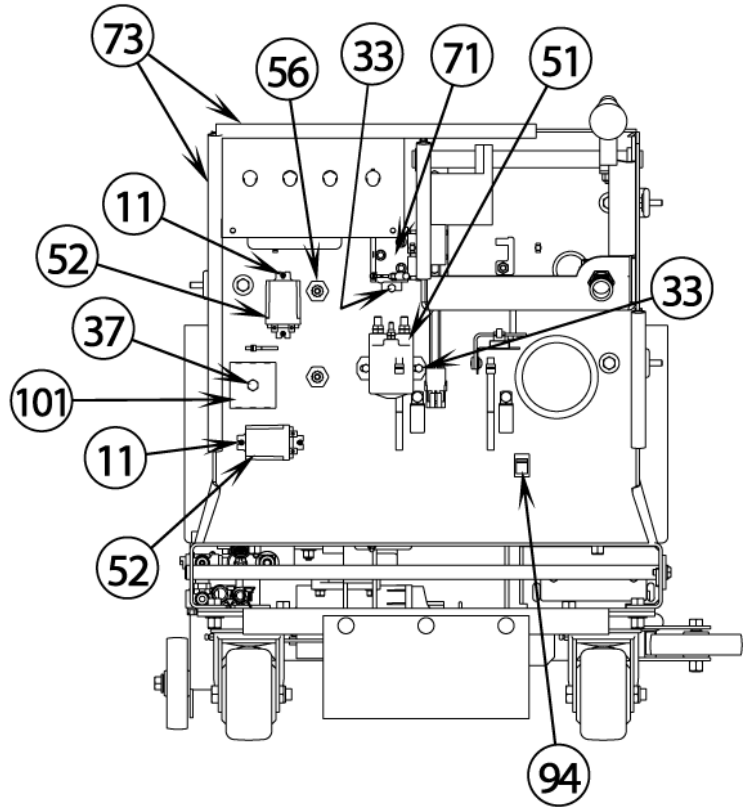
Part List ID
C23113

19

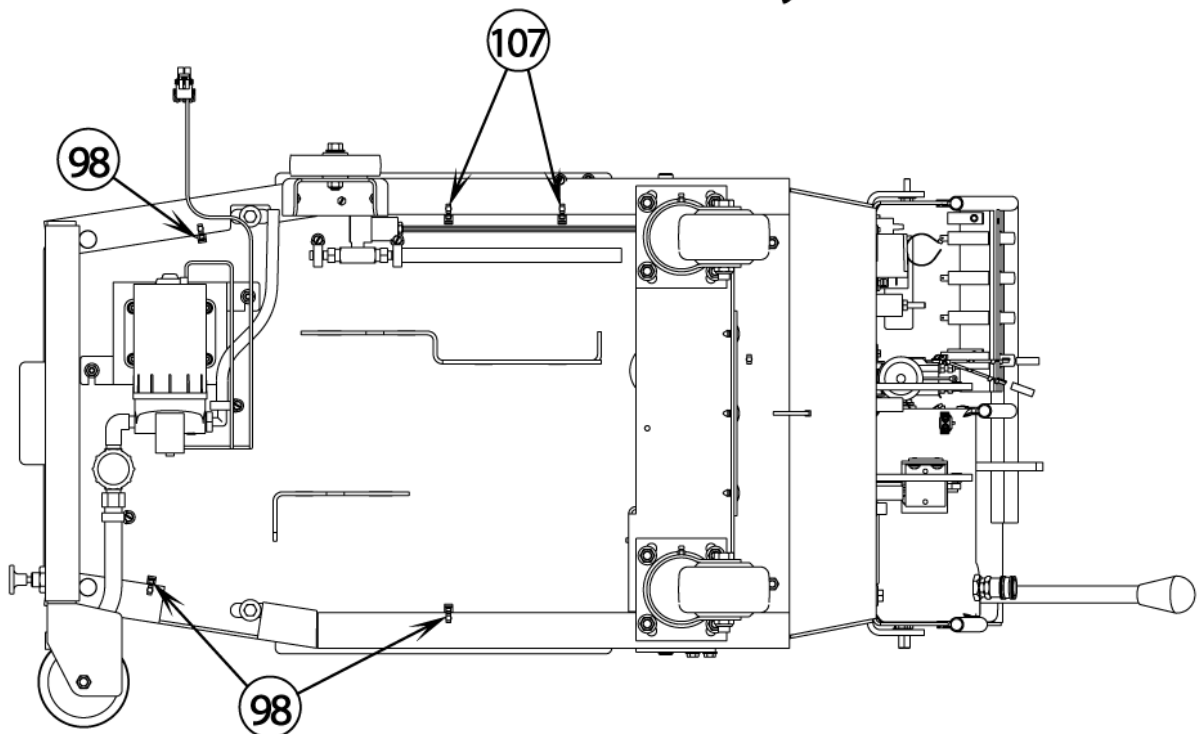
Front View of Chassis System



Rear View of Chassis System



Bottom View of Chassis System



Chassis system-2

AX 650

29-03-2015

Part List ID
CZ3113

20

Pos	Part no.	Qty	Description	
2	56001836	1	SCR HEX 1/4 20 X .62	
11	56002539	4	SCR PAN PHIL TD FORM 6-32 X.31	
33	56009012	4	SCR HEX THD FORM 10 24X.38	
37	56009088	1	SCR HEX THD FORM 1/4-20X1.25	
51	56395450	1	CONTACTOR 36 VOLT	Vac Motor
52	56416157	2	RELAY SPST	Reverse Speed Limit and Pump
53	56416516	1	GROMMET E00059	
56	56469858	2	ELECTRICAL MOUNT	
67	56056871	1	GROMMET E00059	
71	56212012	1	CONTACTOR REVERSING	Brush Motor
73	56212016	2	GASKET	
94	56212228	1	CLIP .375 PUSH MT. WIRE	
98	56386407	3	CLIP E00360	
99	56393471	3	CLIP .75 CONDUIT E00360	
101	56409314	1	TIME DELAY ASSY. 10	
107	56900756	2	CLIP E00360	

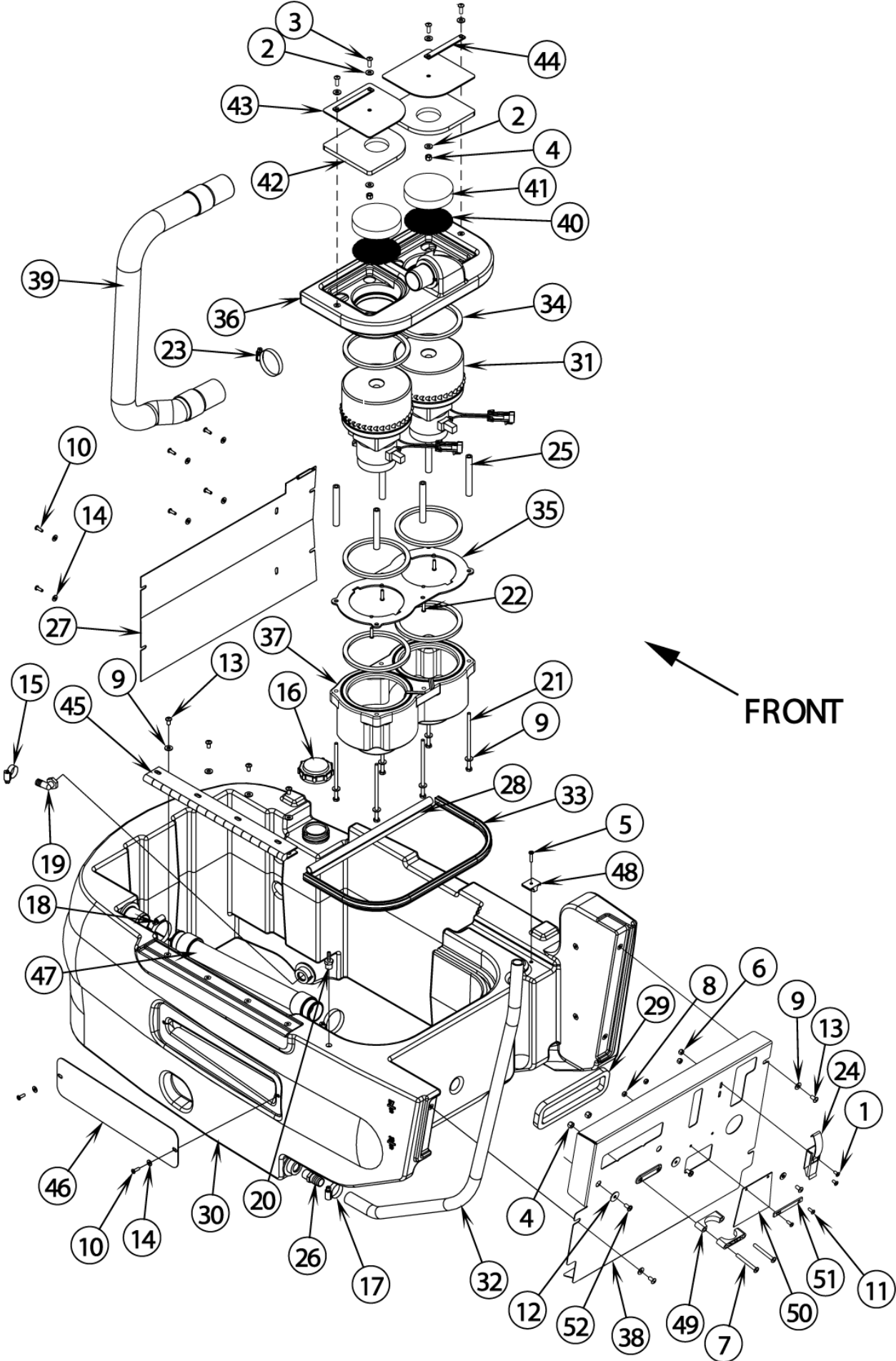
Solution system

AX 650

29-03-2015

Part List ID
C23115

21



Solution system

AX 650

29-03-2015

Part List ID
CZ3115

22

Pos	Part no.	Qty	Description	
0	56801000	1	AQUA KIT	Aqua Kit - Optional
1	56002043	2	SCR PAN PHIL 10 24 X .38	
2	56002098	6	WSH FLT SAE 1/4	
3	56002957	4	SCR PAN PHIL SS 1/4 20 X .75	
4	56002708	4	NUT HEX NYL LOC 1/4-20	
5	56002674	1	SCR PAN PHIL 10-24 X 1.00	
6	56002832	2	NUT HEX NYL LOC-THIN 10-24	
7	56002788	2	SCR PAN PHIL 1/4-20 X 2.25	
8	56002832	2	NUT HEX NYL LOC-THIN 10-24	
9	56002859	13	WSH FLT SAE SS 1/4	
10	56002896	10	SCR PAN PHIL SS 10-24 X .62	
11	56002900	2	SCR PAN PHIL SS 10-24 X .50	
12	56009002	2	WASHER FLAT .266X.906X.060	
13	56003119	7	SCR PAN PHIL SS 1/4 20 X .50	
14	56009205	10	WSH FLT SS .219X.500X.047/.062	
15	56219932	1	CLAMP HOSE SAE 6 E00047	
16	56244866	1	CAP BLACK NYLON	
17	56244969	1	CLAMP HOSE SAE 12 E00047	
18	56329145	2	CLAMP HOSE SAE 24 E00047	
19	56409152	1	BARB 90 1/2 NPTX1/2 E00037	
20	56470111	1	BARB 1/4X1/4 BRASS E00039	
22	56002738	4	SCR PAN PHIL PLAST 8-15 X .62	
23	56049999	1	CLAMP HOSE	
24	56054306	1	CLAMP TOGGLE--BLACK 1.62 LATCH	
25	56054780	6	SPACER PHEN--.265X.500X3.812L	
26	56057868	1	ADAPTER	
27	56212013	1	PLATE VAC COMPARTMENT	
28	56212016	1	GASKET	
30	56212021	1	TANK SOLUTION	
31	56212081	2	MOTOR VAC 36VDC	
31	56212223	1	CARBON BRUSH SET OF 2	Not shown
32	56212086	1	HOSE E00521	
33	56212141	1	GASKET CUT	
34	56212143	6	GASKET VACUUM DUCT	
35	56212144	1	PLATE VAC	
36	56212146	1	COVER VAC	
37	56212147	1	HOUSING VAC	
38	56212149	1	PANEL REAR	
39	56212150	1	HOSE VAC	
40	56212182	2	SCREEN VAC INTAKE	
41	56212184	2	FILTER ROUND	
42	56212185	2	GASKET VAC FILTER	
43	56212186	2	COVER VAC FILTER	

Solution system

AX 650

29-03-2015

Part List ID C23115

23

Pos	Part no.	Qty	Description
46	56212225	2	PLATE DECAL
47	56212235	1	VAC HOSE 1.50 ASSY.
48	56212238	1	CLAMP CABLE
49	56249313	2	BLOCK
50	56396166	1	FLAP CHARGER PLUG
51	56396167	1	STRAP
52	56009126	2	SCR PANPHILTHD FORM 1/4-20X.75

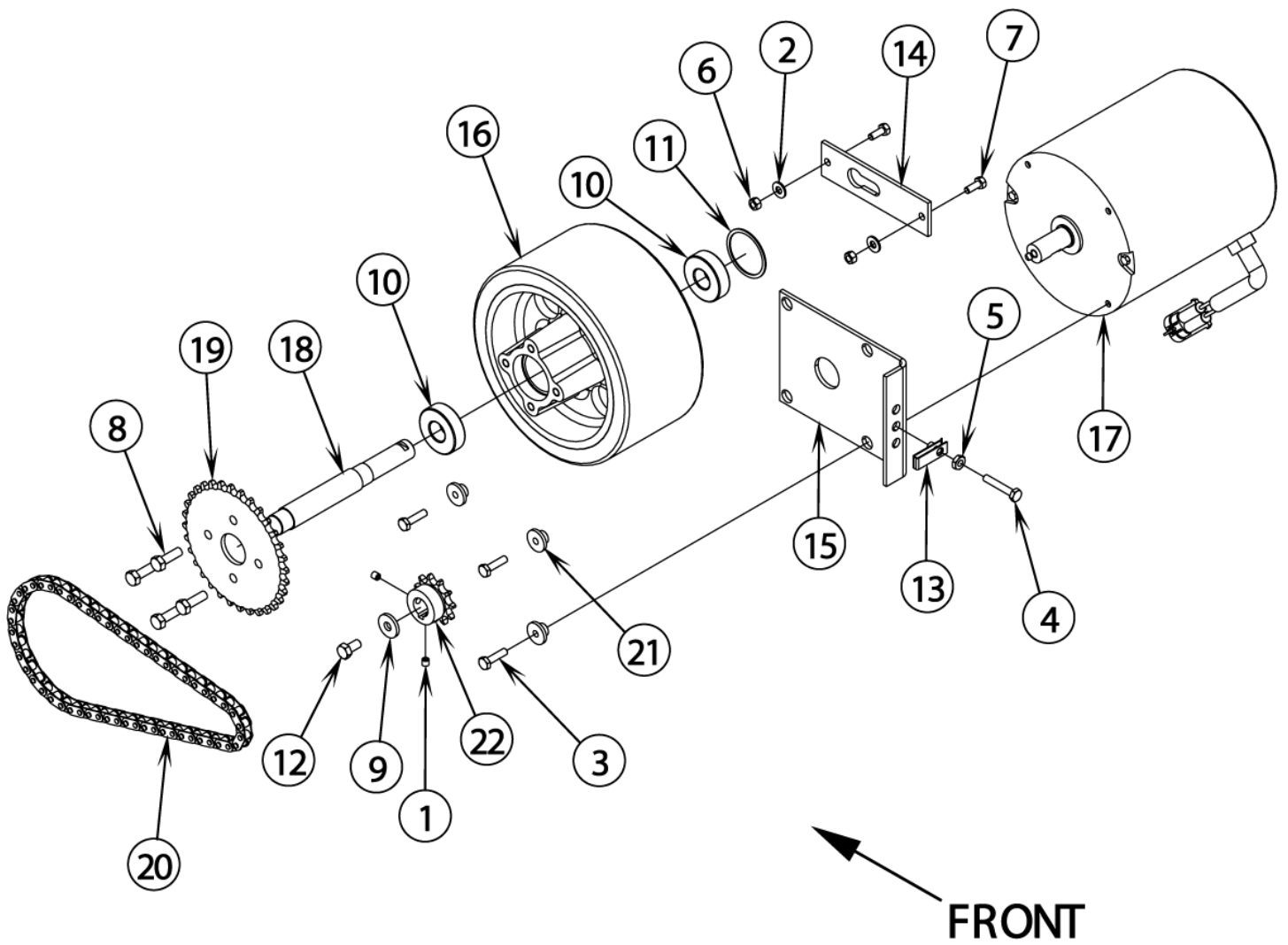
Traction system

AX 650

29-03-2015

Part List ID C23117

24



Traction system

AX 650

29-03-2015

Part List ID
CZ3117

25

Pos	Part no.	Qty	Description
1	56001841	2	SCR SOC SET LOC 1/4 20 X .25
2	56002859	2	WSH FLT SAE SS 1/4
3	56002883	3	SCR HEX SS 1/4-20 X 1.00
4	56003125	1	SCR HEX THD/HD SS 1/4-20X1.50
5	56003145	1	NUT HEX JAM SS 1/4 20
6	56003426	2	NUT HEX NYL LOC SS M6
7	56003431	2	SCR HEX SS M6-1.00X16MM
8	56003477	4	SCR HX NYLOC SS M8-1.25 X 25MM
9	56009122	1	WSH FLT .344X.938X.125
10	56154091	2	BEARING BALL PC51
11	56444731	1	RING RET INT 1.850 CV490J
12	56002937	1	SCR HEX HD LOC SS 5/16-18X .62
13	56009289	1	NUT U MULTI THREAD 1/4 20
14	56057763	1	BAR STEEL
15	56057833	1	BRACKET TENSION TRACTION DRIV
16	56212094	1	WHEEL DRIVE
17	56212175	1	MOTOR 36VDC 1/2HP 320RPM
18	56397003	1	AXLE
19	56397005	1	SPROCKET
20	56397017	1	40 CHAIN 56 PITCHES
21	56397085	3	BUSHING
22	56741122	1	SPROCKET CHAIN

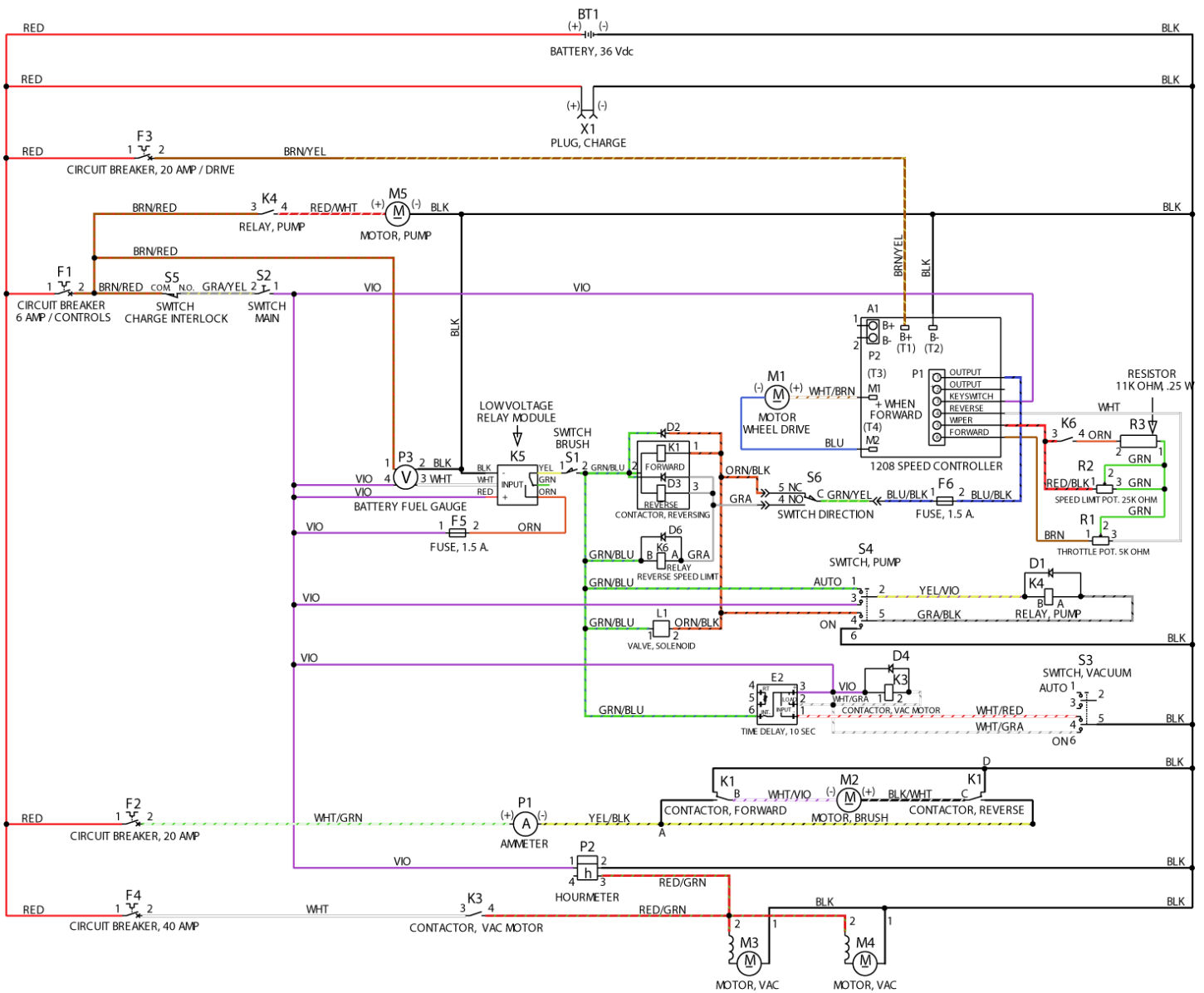
Wiring diagram

AX 650

29-03-2015

Part List ID
C23119

26



Wiring diagram

AX 650

29-03-2015

Part List ID
CZ3119

27

Pos	Part no.	Qty	Description	
0	56212019	1	WIRING HARNESS	Not shown
A1	56212261	1	CONTROLLER SPEED 36V	
D1		1	NOTE COMMENT	Diode - Not available
D2		1	NOTE COMMENT	Diode - Not available
D3		1	NOTE COMMENT	Diode - Not available
D4		1	NOTE COMMENT	Diode - Not available
D5		1	NOTE COMMENT	Diode - Not available
D6		1	NOTE COMMENT	Diode - Not available
E2	56409314	1	TIME DELAY ASSY. 10	
F1	56329177	1	CIRCUIT BREAKER 6A	Controls
F2	56395454	1	CIRCUIT BREAKER 20A	Brush Motor
F3	56395454	1	CIRCUIT BREAKER 20A	Drive
F4	56452193	1	CIRCUIT BREAKER 40A	Vac Motor
F5		1	NOTE COMMENT	Fuse, 1.5A
F6		1	NOTE COMMENT	Fuse, 1.5A
K1	56212012	1	CONTACTOR REVERSING	Brush
K3	56395450	1	CONTACTOR 36 VOLT	Vac Motor
K4	56416157	1	RELAY SPST	
K5	56212119	1	RELAY ASSEMBLY	
K6	56416157	1	RELAY SPST	
L1	56212138	1	VALVE SOLENOID -- 36VDC	
M1	56212175	1	MOTOR 36VDC 1/2HP 320RPM	
M2	56212100	1	MOTOR DC-36V 1/2HP 1800RPM	
M3	56212081	1	MOTOR VAC 36VDC	
M3	56212223	1	CARBON BRUSH SET OF 2	Not shown
M4	56212081	1	MOTOR VAC 36VDC	
M4	56212223	1	CARBON BRUSH SET OF 2	Not shown
M5	56212014	1	PUMP DC--36V BY-PASS	
P1	56212015	1	AMMETER DC	
P2	56393718	1	HOURLMETER	
P3	56416395	1	FUEL GAUGE BATTERY	
R1	56397029	1	POTENTIOMETER 5K	Throttle
R2	56397123	1	POTENTIOMETER 25K	Speed Limit
R3		1	NOTE COMMENT	Resistor, 11K Ohm,.25W - Not available
S1	56372088	1	SWITCH WATERPROOF	
S2	56301636	1	SWITCH TOGGLE	
S3	56212017	1	SWITCH DPDT ROCKER	
S4	56212017	1	SWITCH DPDT ROCKER	
S5	56462362	1	SWITCH ASSY.	
S6	56263174	1	SWITCH SNAP SPDT	
X1		1	NOTE COMMENT	Plug, Charge - Not available
BT1		1	NOTE COMMENT	Battery, 36Vdc - Not available