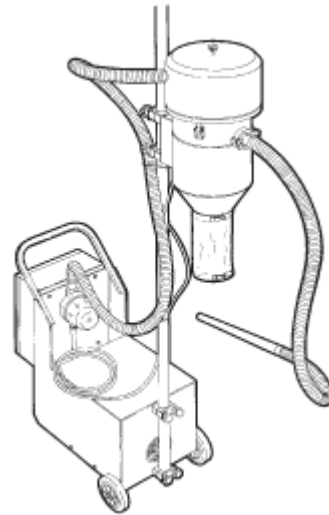


3VT

Model:
Conveyor 3VT - fine
powder product



Part List US-English

20-07-2014

Table of Contents

3VT

Frame	3
Hopper	5
Pneumatic system	7
Electric board	9
Accessories	11

Frame

3VT

20-07-2014

Part List ID

3V102

4

Pos	Part no.	Qty	Description
3	Z8 40009	2	PIVOTING WHEEL D95 M12GREY
4	Z8 40261	2	FIXED WHEEL D150 F15 GREY MODEL
4	Z8 40312	2	FIXED WHEEL D150 F20 VULKOLAN
5	Z58 40102	4	COLLAR D40 PVC
6	Z58 18247	2	BRACKET FOR COLLAR D40
7	Z8 40191	4	KNOB D40 M6 THROUGH
8	Z58 18593	1	UPRIGHT D40x3000 INOX
10	Z8 39055	2	CABLE GLAND PG16 PA
11	Z8 39568	2	METAL RING NUT PG16
12	Z58 56007	1	VACUUM PUMP BECKER VT 4.16 Kw 0.55 IP 54
14	Z7 24054	1	TUBE D30 ATOXIC ANTISTATIC IN METERS
15	Z58 32360	2	CONN.FILTER PUMP 3VT 3/4
16	Z58 33224	1	FILTER COM.FC60 3VT
17	Z8 40040	2	TIE D40-60
19	Z58 17183	1	CARTRIDGE INT. PUMP3VT
20	Z58 52001	1	KIT BLADES PUMP 3VT
21	Z58 17390	1	CARTRIDGE SPARE PART FC60 D.70x100 16MC
53	4531700008	1	56040X

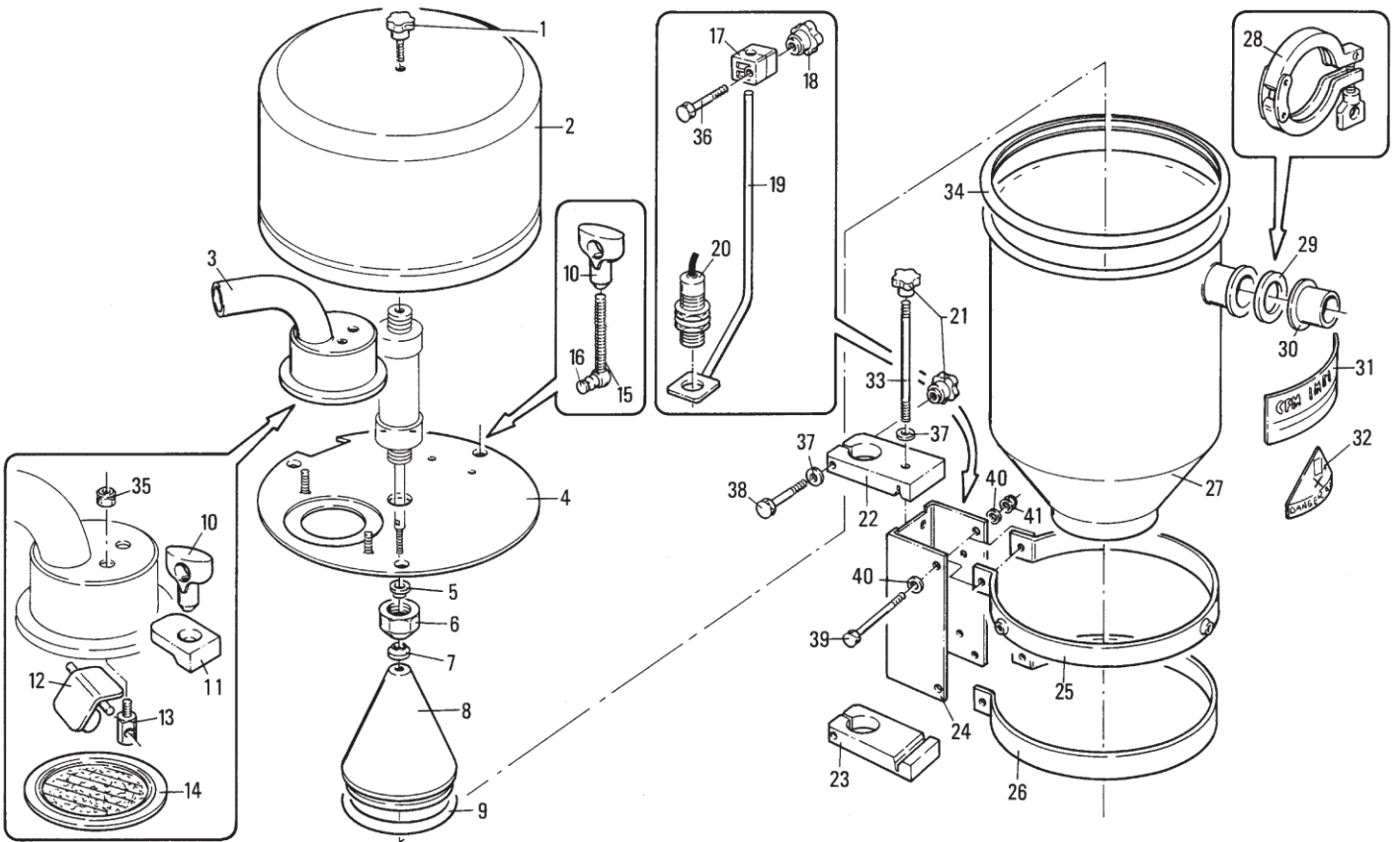
Hopper

3VT

20-07-2014

Part List ID 3VT04

5



Hopper

3VT

20-07-2014

Part List ID 3V104

6

Pos	Part no.	Qty	Description
-	Z58 37100	1	HOPPER COMPLETE 3VT22X
1	Z58 40190	1	KNOB D32 M6 x 20
2	Z58 31087	1	COVER FOR VALVE 3VT22X
5	Z58 17270	1	SCRAPER RING FOR 3VT22X
6	Z58 14220	1	SCRAPER NUT 3VT22X
7	Z58 14253	1	WASHER FOR DISCHARGE LOCK
8	Z58 13139	1	DISCH.LOCK D120 M10 3VT
9	Z58 17118	1	SEAL DISCHARGE 3VT22X
10	Z8 40185	5	BUTTERFLY x TIE ROD
12	Z58 32350	1	BLOW LOCK M.3VT COMPLETE
13	Z58 14133	2	PIN CLOSING BLOW
14	Z58 33297	1	CARTRIDGE D68x60 HOPPER 3VT CAT.M PE806
15	Z8 40184	3	COVER TIE ROD PIN
16	Z58 14350	3	PIN FOR TIE ROD 3VT
17	Z58 40101	2	COLLAR D10 PVC
18	Z8 40191	1	KNOB D40 M6 THROUGH
19	Z58 36089	1	SUPPORT PROBE MOD.3VT
20	Z58 39843	1	SENS.CAP.M30 PTFE NC 20/250VAC/DC 2W 2M
21	Z58 40507	3	KNOB D40 M8 THROUGH
25	Z58 18466	1	BELT D220 3VT WITH FLARES
28	Z58 40168	1	COLLAR CLAMP 1 1/2
29	Z58 40169	1	SEAL CLAMP 1 1/2 SILICONE
30	Z58 40489	1	TUBEHOLDER CLAMP 1 1/2 D30
32	Z58 17155	1	DANGER LABEL FOR 3VT
34	Z58 17088	1	SEAL SILICONE 3VT22X

Pneumatic system

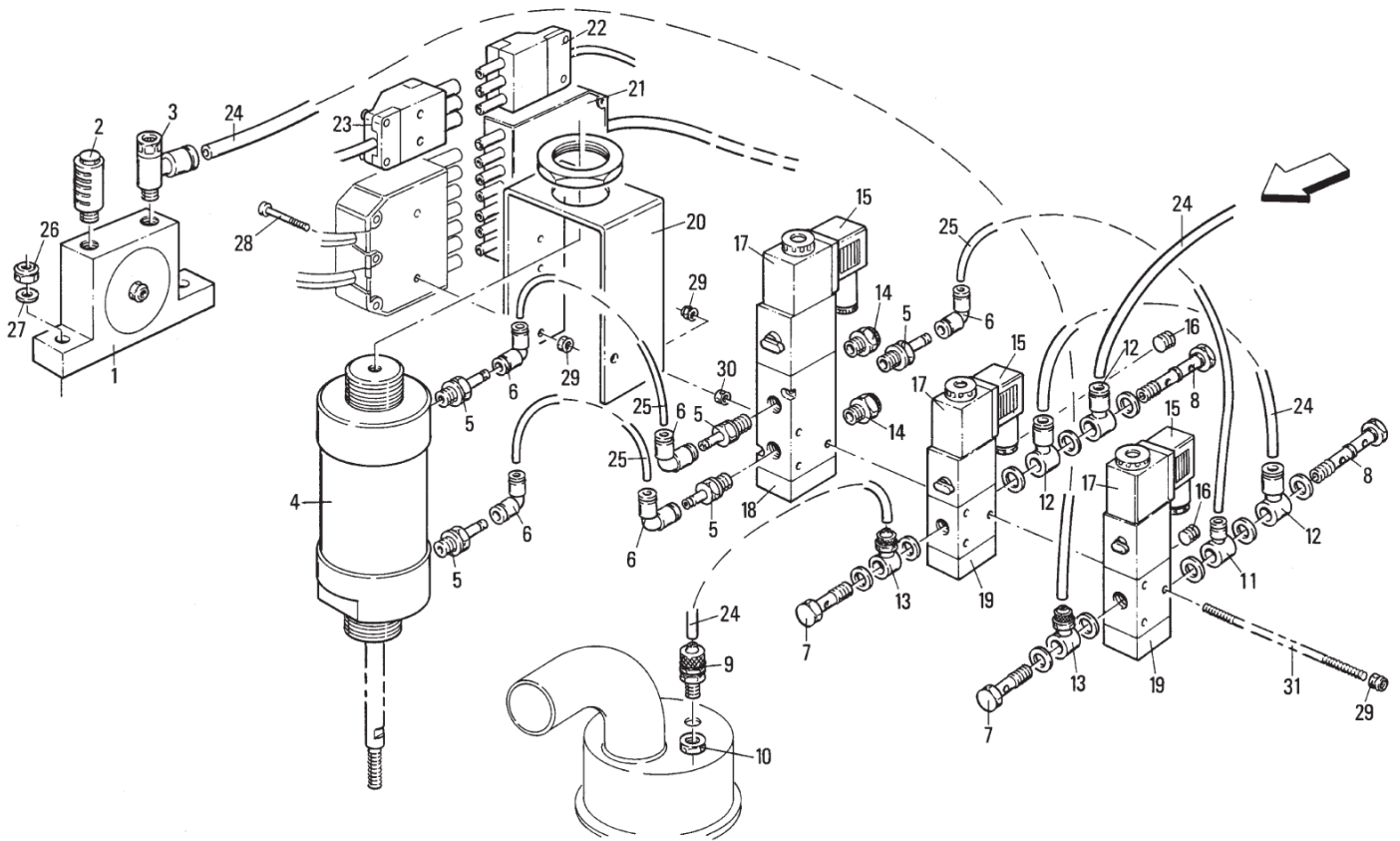
3VT

20-07-2014

Part List ID

3VT06

7



Pneumatic system

3VT

20-07-2014

Part List ID
3V106

8

Pos	Part no.	Qty	Description
-	Z58 37100	1	HOPPER COMPLETE 3VT22X
1	Z58 47031	1	TURBINE VIBRATOR VT9
2	Z8 40377	1	CONIC MUFFLER 1/4M
3	Z58 40500	1	THROTTLE 1/4M D8
4	Z58 40360	1	PNEUM.CYLINDER D50 x 60
5	Z58 40499	5	CONN.ROD 1/8M D4
6	Z58 40498	5	ELBOW CONN. D4
7	Z58 40502	2	SINGLE BAR 1/8M x CONNECTION RING
8	Z58 40501	2	DOUBLE BAR 1/8M x CONNECTION RING
11	Z58 40503	1	CONN.RING D4 x BAR 1/8
12	Z58 40504	3	CONN.RING D8 x BAR 1/8
13	Z58 40505	2	CONN.RING D8 SCREW TYPE x BAR 1/8
14	Z58 40506	2	CONIC MUFFLER 1/8M
15	Z8 40086	3	CONNECTOR TYPE E MOD. B1 IP65
16	Z8 40177	2	PLUG 1/8M SOCK.HEAD SCREW
17	Z58 40510	3	COIL TYP 0/1000 C 24VAC 4.5W H D.8
18	Z58 40344	1	ELECTROVALVE 5 VIEX3VT X CIL.GROUP 3VT
19	Z58 40559	2	3-WAY ELECTROVALVE FOR 3VT CYLINDER
21	Z58 39600	1	CONNECTOR M 7 POLES
22	Z58 39602	1	CONNECTOR M 3 POLES
23	Z58 39601	1	CONNECTOR F 3 POLES
24	Z58 47067	1	TUBE POLYURETHANE D.5.5x8 BLUE

Electric board

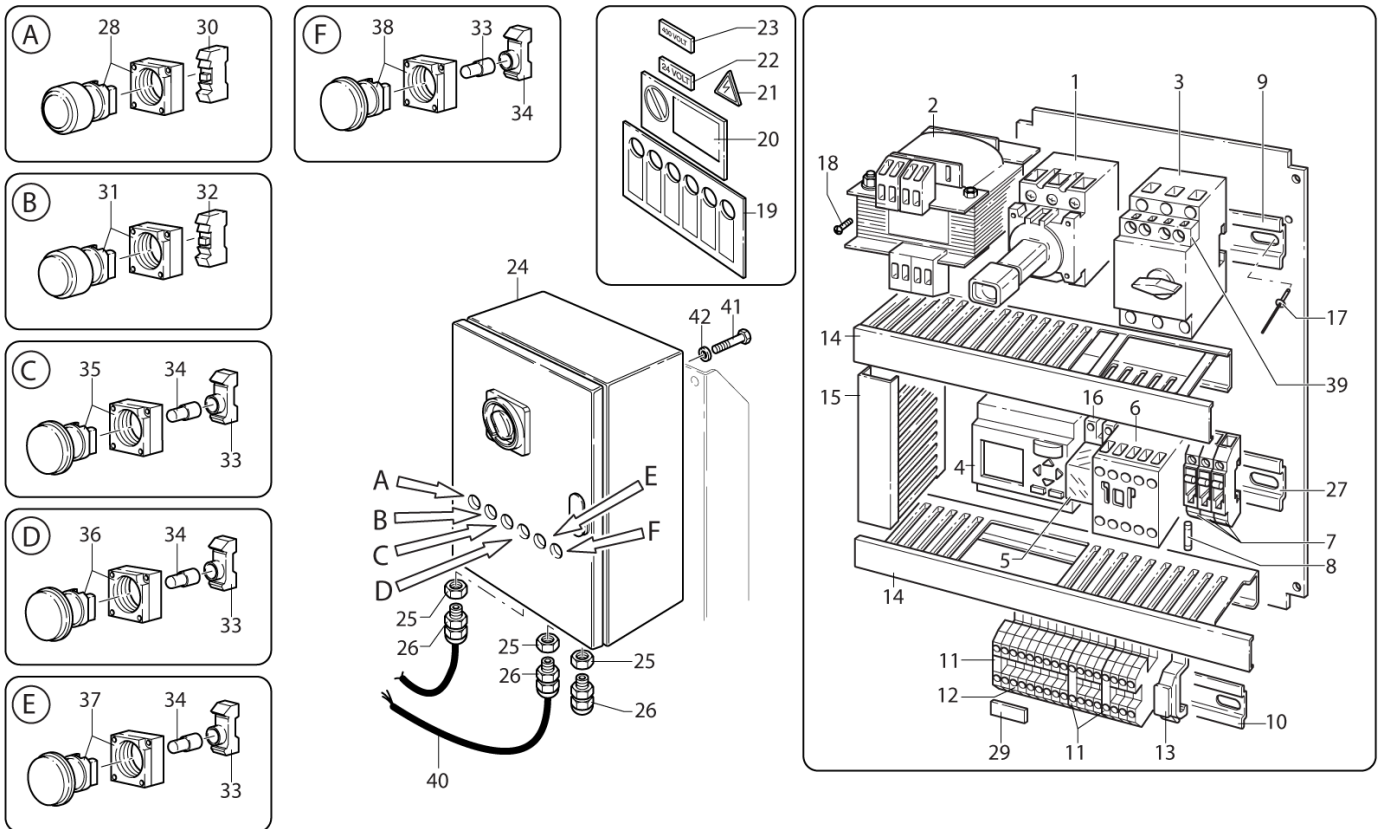
3VT

20-07-2014

Part List ID

3VT08

9



Electric board

3VT

20-07-2014

Part List ID

3V108

10

Pos	Part no.	Qty	Description
1	Z8 39556	1	MAIN SWITCH 32A IP65 S
2	Z8 39104	1	TRANSFORMER 63VA 400/24V
3	Z8 39287	1	CIRCUIT BREAKER 1 8-2 5 A SIRIUS S0
4	Z58 39607	1	CONTROLLER LOGO 24RC 24VAC/DC 8IN/4OUT
5	Z8 39259	1	RELAY 24VAC 2 EXCHANGES MY2
6	Z8 39281	1	CONTACTOR KW4 24VAC 1NO SIRIUS S00
7	Z8 39244	3	TERMINAL FUSEHOLDER 1.5mmq S 5X20
8	Z8 39539	3	FUSE 2A 5x20 GLASS RAPID
11	Z8 39121	3	TERMINAL EARTH 6MMQ S
12	Z8 39120	14	TERMINAL LINE 6MMQ S
13	Z8 39296	2	TERMINAL STOP x GUIDE 35mm S
16	Z8 39118	1	BASE x RELAY 2 EXCHANGES PYF
21	Z8 17361	1	LABEL VOLTAGE ON
23	Z8 17089	1	LABEL 400V
24	Z58 39768	1	CASE 300x400x160 DRILLED DRW. IP65 BxHxP
25	Z8 39568	3	METAL RING NUT PG16
26	Z8 39055	3	CABLE GLAND PG16 PA
28	Z8 39107	1	PUSHBUTTON GREEN 3SB3
30	Z8 39108	1	CONTACT NO PUSH B. 3SB3
31	Z8 39109	1	PUSHBUTTON RED 3SB3
32	Z8 39110	1	CONTACT NC PUSH B. 3SB3
33	Z8 39113	4	LAMP HOLDER BA9 3SB3
34	Z8 39114	4	LAMP BA9 V24
35	Z8 39334	1	PILOT LIGHT BLUE D22 3SB3
36	Z8 39111	1	PILOT LIGHT WHITE D22 3SB3
37	Z8 39112	1	PILOT LIGHT RED D22 3SB3
38	Z8 39315	1	PILOT LIGHT GREEN D22 3SB3
39	Z8 39726	1	AUX CONTACT CIRCUIT BREAKER SIRIUS S2-S3

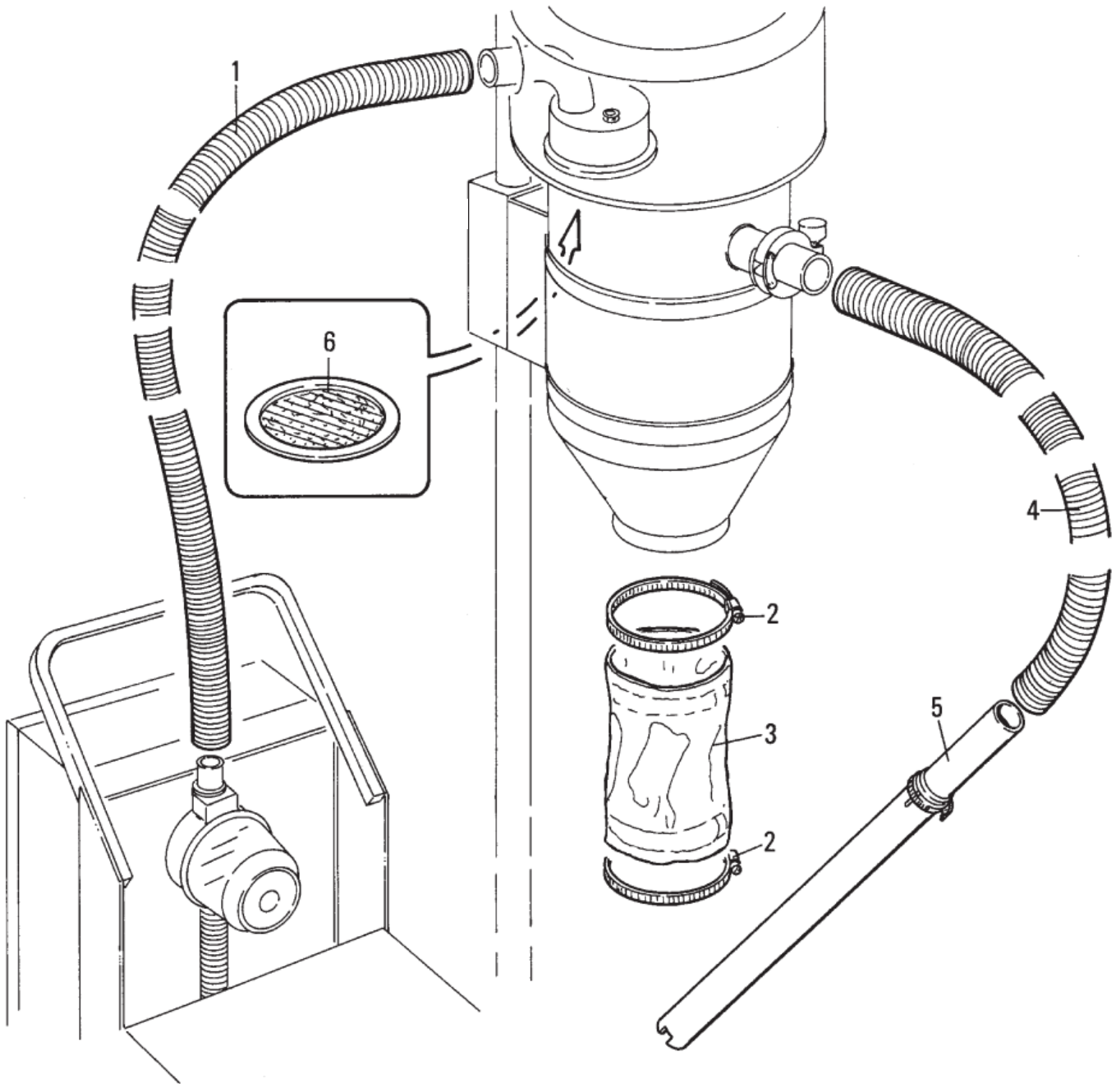
Accessories

3VT

20-07-2014

Part List ID 3VT10

11



Accesories

3VT

20-07-2014

Part List ID

3V I 10

12

Pos	Part no.	Qty	Description
-	4572200417	1	PROBE NOZZLE D30 SS AISI 316
1	Z8 24023	1	TUBE AIR D30 IN METERS.
2	Z58 40444	1	TIE D110-130 INOX
3	Z58 17117	1	SLEEVE D120 x 230 MOD.3VT22X
4	Z7 24054	1	TUBE D30 ATOXIC ANTISTATIC IN METERS
5	4582400211	1	ACC KIT M3VT22X SS316
6	Z58 33200	1	FILTER D90 3 MICRON M.3VT22