

VB 733/833 & 933/1033

Model:
VB 1033
VB 733
VB 833
VB 933



Part List US-English

15-02-2015

Table of Contents

VB 733/833 & 933/1033

Motor and pulleys	3
Cable, motor accessory	5
Fan parts	7
Console parts	9

Motor and pulleys

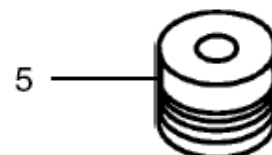
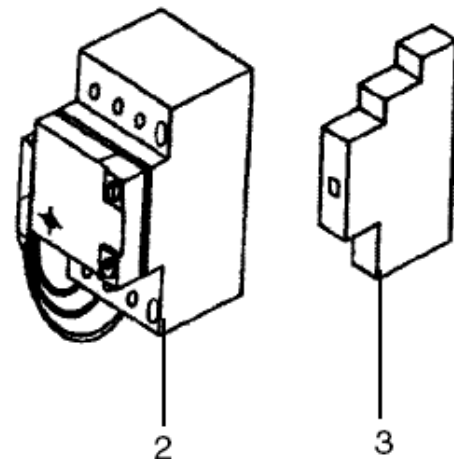
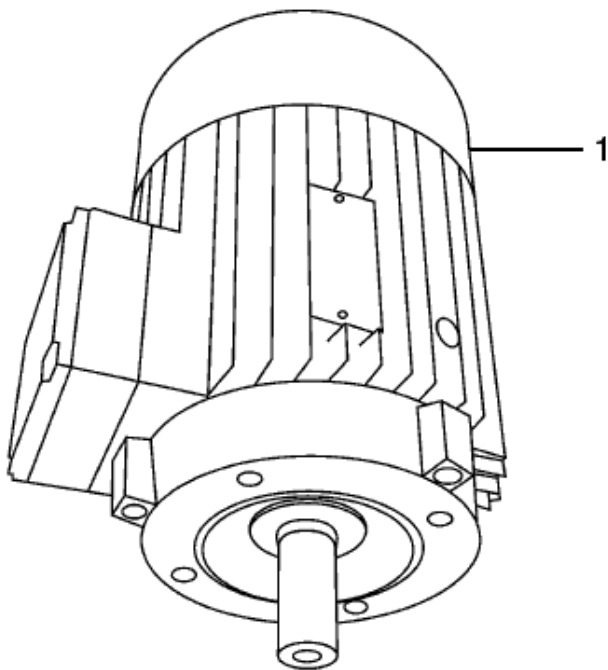
VB 733/833 & 933/1033

15-02-2015

Part List ID
G8332

3

Motor Connection							
AC Frequency Hz	50				60		
Voltage 3-Phase	200-208	220-240	380-415	500	200-240	380-480	500-600
Circuit D/Y	D	D	Y	Y	D	Y	Y
Motor terminal board							
Release Current Amp.	9.3	8.1	4.7	3.6	9.0	4.6	3.5
1 Motor 3-phase	31583504	31583502	31583502	31583503	31583504	31583502	31583503
2 Motor Protection	41934001	41934001	41934002	41934003	41934001	41934002	41934003
3 Undervoltage Release	41934101	41934101	41934103	41934104	41934105	41934103	41934106
4 Pulley f. motor	82414700	82414700	82414700	82414700	82414800	82414800	82414800
5 Pulley f. Turbine	82414900	82414900	82414900	82414900	82415000	82415000	82415000



Motor and pulleys

VB 733/833 & 933/1033

15-02-2015

Part List ID

G833Z

4

Pos	Part no.	Qty	Description	
1	31583503	1	MOTOR 2.2KW.3-PH.500-600V	
1	31583504	1	MOTOR 2.2KW 3-PH 200-208V	
1	82192202	1	MOTOR 2.2KW 3-PH 380-415V	REPLACES 31583502
2	41934001	1	MOTOR PROTECTOR WITH PHASE SEQUENCING	50-60HZ, 200-240V, SEE TSB30-2011
2	41934002	1	MOTOR PROTECTOR WITH PHASE SEQUENCING	50-60HZ, 380-480V, SEE TSB30-2011
2	41934003	1	MOTOR PROTECTOR WITH PHASE SEQUENCING	50-60HZ, 500-600V, SEE TSB30-2011
3	41934101	1	UNDER-VOLTAGE TRIGGER	50HZ, 200-240V
3	41934103	1	UNDER-VOLTAGE TRIGGER	50-60HZ, 380-480V
3	41934104	1	UNDER-VOLTAGE TRIGGER	50HZ, 500V
3	41934105	1	UNDER-VOLTAGE TRIGGER	60HZ, 200-240V
3	41934106	1	UNDER-VOLTAGE TRIGGER	60HZ, 500-600V
4	82414700	1	PULLEY WHEEL 207MM FOR 50HZ	
4	82414800	1	PULLEY WHEEL 202MM FOR 60HZ	
5	82414900	1	PULLEY WHEEL 56MM 50HZ GB-TUR	
5	82415000	1	PULLEY WHEEL 66MM 60HZ GB-TUR	

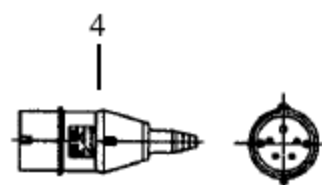
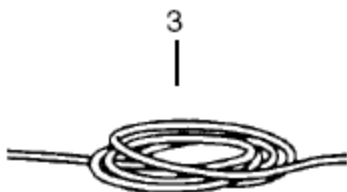
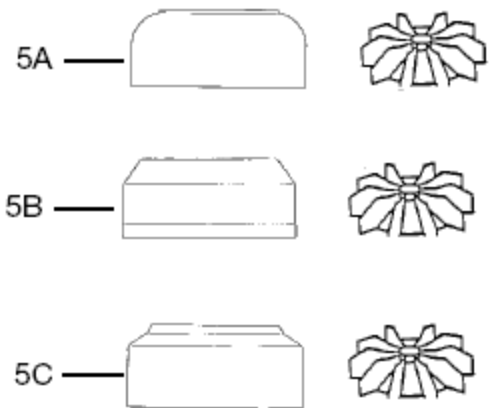
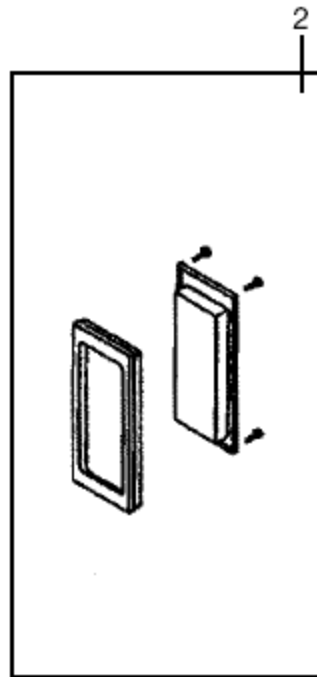
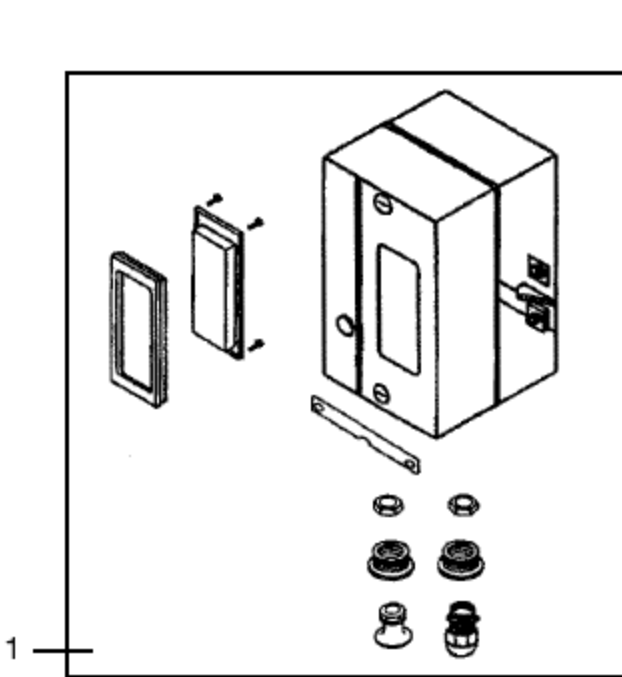
Cable, motor accessory

VB 733/833 & 933/1033

15-02-2015

Part List ID G8334

5



Cable, motor accessory

VB 733/833 & 933/1033

15-02-2015

Part List ID

G8334

6

Pos	Part no.	Qty	Description
1	41934200	1	BOX FOR MOTOR PROTECTOR
2	42415800	1	SEAL FOR BOX FOR MOTOR PROTECT
3	61915901	1	POWER CABLE FOR GB 20MTR
4	81569601	1	PLUG CEE 16AMP
5A	21682500	1	SPARE PARTS SET GB/VB733
5B	21682501	1	SPARE PARTS SET GB/VB733
5C	21682502	1	FAN+COVER FOR 2.2KW MEZ

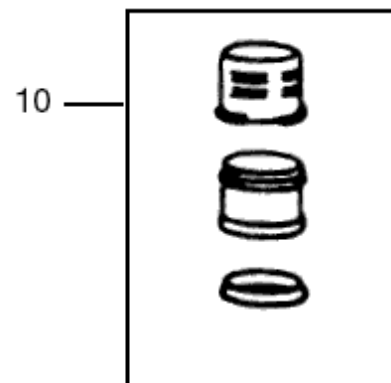
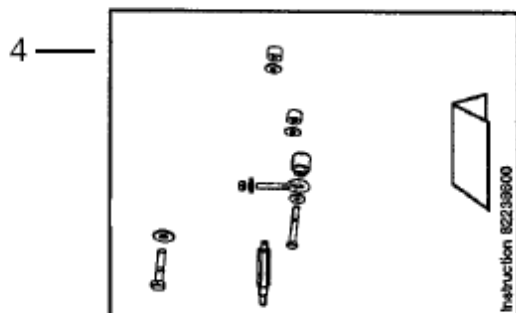
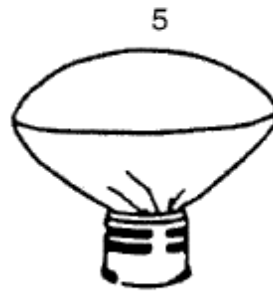
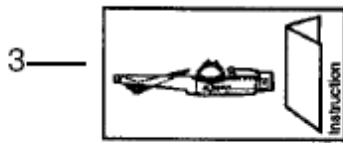
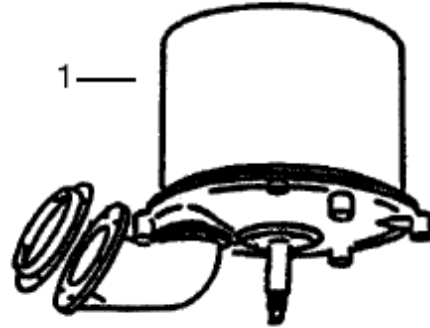
Fan parts

VB 733/833 & 933/1033

15-02-2015

Part List ID G8336

7



Fan parts

VB 733/833 & 933/1033

15-02-2015

Part List ID

G8336

8

Pos	Part no.	Qty	Description
1	21468000	1	TURBINE3 TRINVB-LØSSALG
2	22239600	1	DRIVE BELT FOR VB 733
3	22242400	1	OPTIBELT MEASURING KIT
4	22238400	1	BELT TENSIONER VB/GB-733/833
5	31228700	1	DIFFUSION FILTER BAG GB
10	22344200	1	SLEEVE
NI	20707100	1	INLET- AND OUTLET PARTS FOR VB

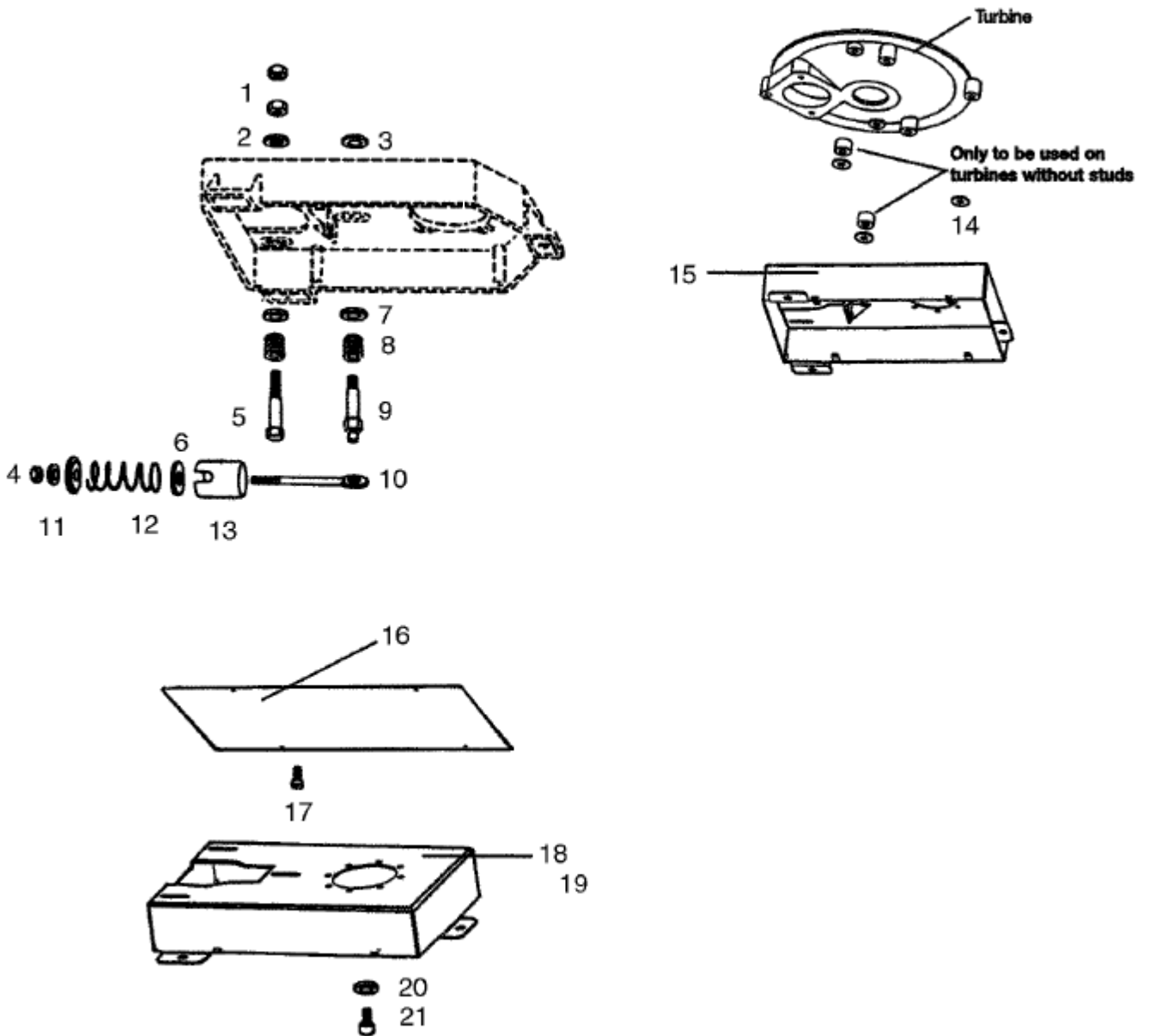
Console parts

VB 733/833 & 933/1033

15-02-2015

Part List ID G8338

9



Console parts

VB 733/833 & 933/1033

15-02-2015

Part List ID
G8338

10

Pos	Part no.	Qty	Description
1	81414200	1	MØTRIK M8
2	81338600	1	WASHER 10.5X25X2 FZB/ BN 737
3	81338600	1	WASHER 10.5X25X2 FZB/ BN 737
4	81296000	1	SKIVE M8
5	81385300	1	SOCKET SCREW
6	22238400	1	BELT TENSIONER VB/GB-733/833
7	81338600	2	WASHER 10.5X25X2 FZB/ BN 737
8	81314800	2	SPRING FOR GB-TURBINE
9	81385400	1	BOLT
10	21385100	1	EYE BOLT
11	81350500	1	NUT Machine outphased 2007
12	22238400	1	BELT TENSIONER VB/GB-733/833
14	81338600	1	WASHER 10.5X25X2 FZB/ BN 737
15	71384701	1	BRACKET VB
16	71384601	1	BASE PLATE
17	81541200	4	SCREW M4X6 PAN HEAD
18	71384701	1	BRACKET VB
20	71029100	4	WASHER M8
21	81287200	4	SCREW M8X16 ROUGH ALLEN BOLT.