

SCRUBTEC 8, 866-871-871C-886

Model:

SCRUBTEC 866

SCRUBTEC 871

SCRUBTEC 871C

SCRUBTEC 886

SCRUBTEC BOOST 8



Stückliste Deutsch

06-11-2014

Nilfisk
ALTO
works for you

www.nilfisk-alto.com

Inhalt

SCRUBTEC 8, 866-871-871C-886

Solution Tank Assembly	3
Recovery Tank Assembly	5
Handle Assembly, Disc and BOOST Models	7
Handle Assembly, Cylindrical Model	9
Electrical Box Assembly	11
Squeegee Holder Assembly	13
Squeegee Assembly, 32,5" - SCRUBTEC 866	15
Squeegee Assembly, 35" - 871, 871C and BOOST 8	17
Squeegee Assembly, 41" - SCRUBTEC 886	19
Frame Assembly	21
Brush Head Assembly, 866	24
Brush Head Assembly, 871	26
Brush Head Assembly, 886	28
Brush Head Assembly Boost 8	30
Brush Head Assembly, 871 C	33
Chemical Mixing Kit	36
EMPFOHLENE ERSATZTEILE	38
Zubehör 1	41
Zubehör 2	43
56380210/56380211 - Flex Plate 28/32 Kit	45
11363A - Chemical Mixing System	47
56383395 POWER CORD BRACKET KIT EU/UK	49

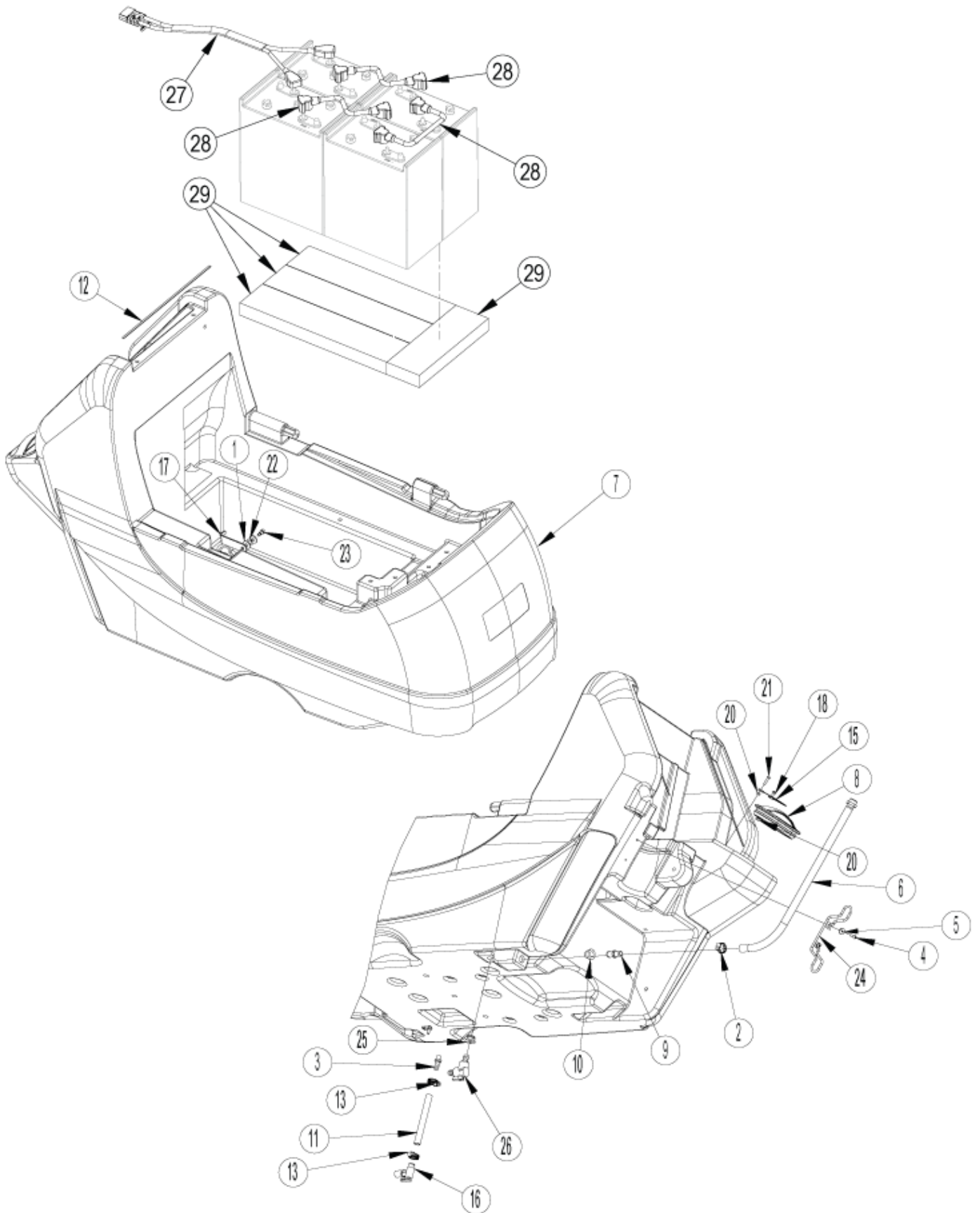
Solution Tank Assembly

SCRUBTEC 8, 866-871-871C-886

06-11-2014

ET-Liste-Nr.
SCRUB801

3



Solution Tank Assembly

SCRUBTEC 8, 866-871-871C-886

06-11-2014

ET-Liste-Nr.
SCRUB801

4

Pos	Artikelnr.	Me	Beschreibung
1	170860	2	WASHER FLT 5/16 PLTD
2	722030	1	Clamp, Hose #6
3	820207	1	ADAPTOR
4	964004	2	SCREW M5X16 PN ST PH
5	56009096	2	Scheibe zu BR 1000
7	30796A	1	TANK SOLUTION
8	30804A	1	Deckel Frischwasser
9	30882A	2	CONNECTOR
10	31242A	2	BUSHING (FOR .62 OD CONNECTOR)
11	34704A	1	HOSE, BRUSH (VISION 21I)
12	39887A	3	Dichtung 15.50 Bedientafel
13	50248A	2	CLAMP, 3/8 HOSE
14	52548A	1	Käfigmutter 1/4
15	54773A	1	LANYARD Band/ Schleife
16	59614A	1	VALVE,BATTERY DRAIN(ENCORE 33)
17	61930A	1	ROD RECOVERY TANK PROP
18	80176A	1	Schraube M5x12 VA
19	80179A	1	SCREW M6-1 X 16MM PHD PH SS
20	80196A	2	NUT M5-0.8 HEX NYLON INSERT
21	80205A	1	SCREW M5-.8 X 20MM P.P.HD
22	80317A	1	WASHER BOWED .455 ID X .740 OD
23	88630A	1	SCREW SHOULDER M6-1.0 X8X10MM
24	909 5149 000	1	Kabelführung
25	909 5286 000	1	Dichtung schlauch
26	9097028000	1	Eckventil
27	56381850	1	Batterieklemme
28	56381852	3	CABLE BATT 16 UNIV POST
29	56314119	4	SPACER BATTERY
NS	71496A	1	Aufkleber Nilfisk-ALTO

NOTE 1: For machines built before October 2014 (solution tank will not have level graduations 1/4, 1/2 etc.)
order hose part number 30792A for

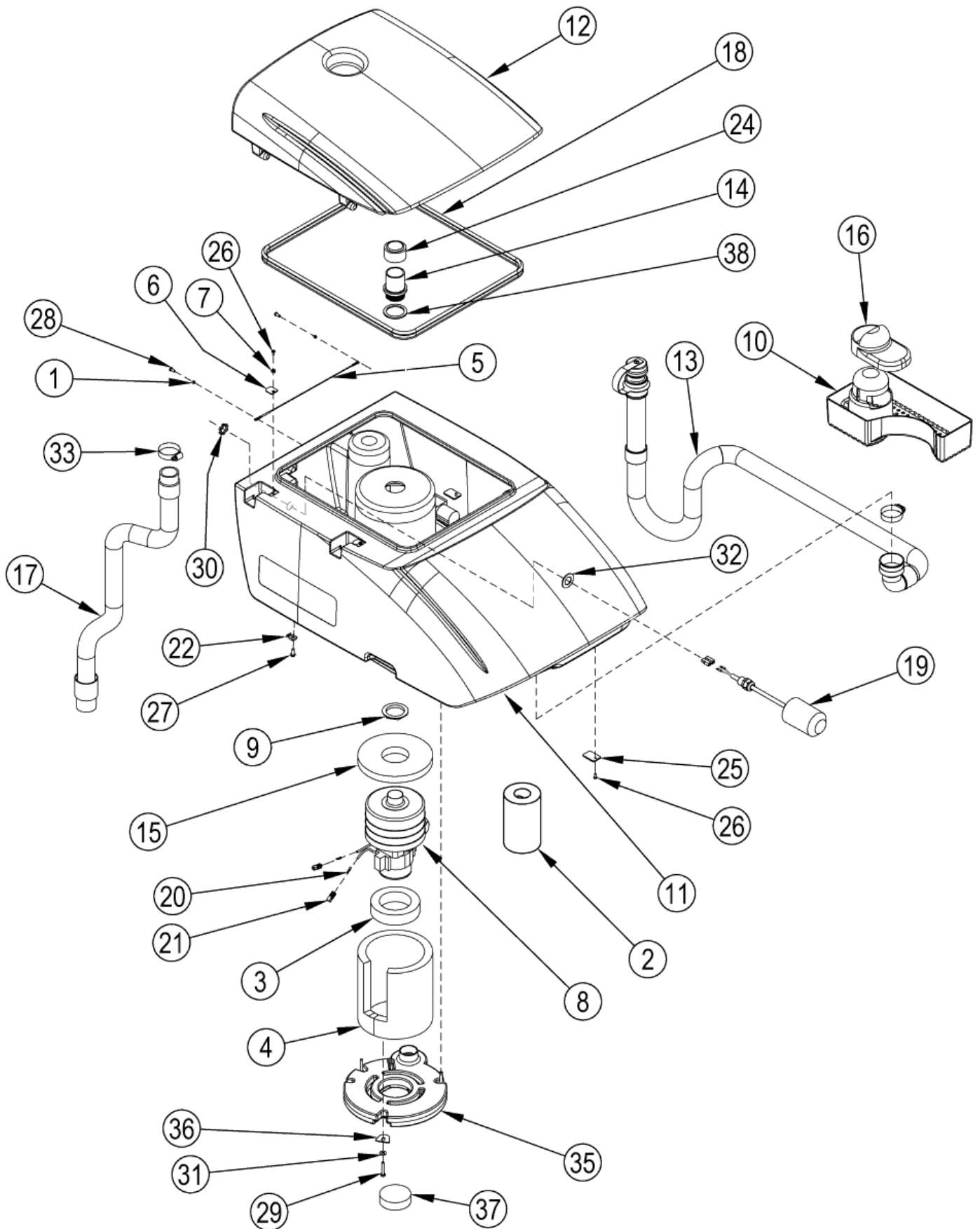
Recovery Tank Assembly

SCRUBTEC 8, 866-871-871C-886

06-11-2014

ET-Liste-Nr.
SCRUB803

5



Recovery Tank Assembly

SCRUBTEC 8, 866-871-871C-886

06-11-2014

ET-Liste-Nr.
SCRUB803

6

Pos	Artikelnr.	Me	Beschreibung
1	56151092	2	Bushing
2	909 6442 000	1	PIPE,ACOUSTIC INSULATION Ansaugrohr
3	909 6490 000	1	GASKET VACUUM MOTOR
4	909 6491 000	1	PANEL,ACOUSTIC INSULATION
5	909 6634 000	1	Deckelsicherung
6	909 6643 000	2	Plättchen
7	909 6679 000	1	Dichtflansch
8	9097466000	1	Vakuummotor Kit
9	185USP	1	NUT DIE CAST ALUM 1-1/2 N
10	30791A	1	Grobschmutzsieb
11	30797A	1	TANK RECOVERY
12	30798A	1	Abdeckung Tank
13	30799A	1	HOSE DRAIN
14	30805A	1	Rohr
15	30823A	1	Korb Saugmotor
16	30827A	1	Deckel, Grobschmutzsieb
17	30832A	1	HOSE SQUEEGEE
18	39718A	1	Dicht. Schmutzwasserdecke wassertankdeckel
19	40002A	1	Schwimmerschalter elektrisch sch
20	41809A	2	CONTACT, CONNECTOR (VISIO
21	43401A	2	HOUSING, CONNECTOR (BLK)
22	52548A	2	Käfigmutter 1/4
23	53371A	2	Klemme Schlauch "IMAGE 16/20" Schmutzwassertank
24	58069A	1	Filter fuer Vacuumrohr "ENCORE 20" ENCORE 20"
25	60367A	2	Halteplatte
26	80057A	4	SCREW,M4-.7X10 PN PHILLIP SS
27	80208A	2	Schraube M6x1,0 x 10mm
28	80363A	2	Schraube M5.8x12 BT
29	80410A	3	SCREW M6-1 X 35MM HEX ZINC
30	82100A	1	LOCKNUT, 1/2ø CONDUIT 1/2" Rohr
31	87026A	3	Scheibe .250 V VA
32	87612A	1	SEAL,WASHER,1700 BT II 1700 BT II
33	54774A	2	CLAMP HOSE
34	699202	2	TIE-WIRE 935A
35	909 6051 000	1	Abdeckhaube f. Motor
36	909 6638 000	3	Platte für Deckel
37	56344168	1	Filter
38	187B	1	WASHER FLAT 1-3/4 ID X 2-1
NS	71447A	2	Aufkleber SCRUBTEC 866
NS	71448A	2	Etikett
NS	71449A	2	LABEL SCRUBTEC 871 C
NS	71450A	2	Label SCRUBTEC 886 Beschriftung SCRUBTEC 886
NS	71451A	2	LABEL SCRUBTEC BOOST 8

NS = Not Show n

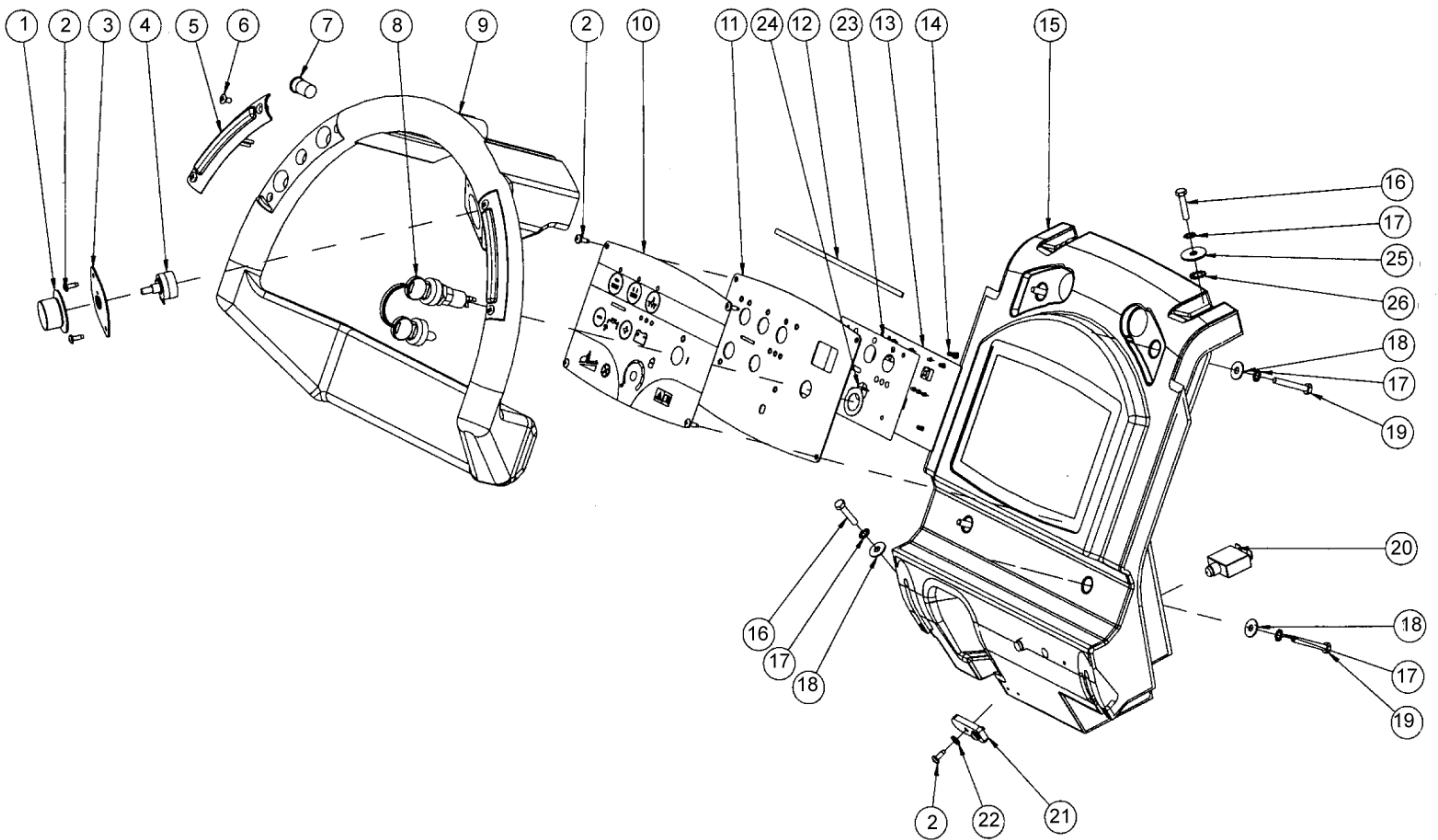
Handle Assembly, Disc and BOOST Models

SCRUBTEC 8, 866-871-871C-886

06-11-2014

ET-Liste-Nr.
SCRUB805

7



Handle Assembly, Disc and BOOST Models

SCRUBTEC 8, 866-871-871C-886

06-11-2014

ET-Liste-Nr.
SCRUB806

8

Pos	Artikelnr.	Me	Beschreibung
1	50962A	1	Bedienknopf
2	962957	10	SCR 10-16X 1/2 PN*ST HI 1/2 PN ST HI-LO
3	61922A	1	PLATE POTENTIOMETER
4	41078A	1	Kabelbaum, Traver se
5	11131A	2	Steuereinheit
6	80192A	4	Schraube M5x0,8 x 16mm
7	52556A	1	Tastschalter 36V "ENCORE 17" 36V
8	146 2887 000	1	KEY (2 PCS) replacement key
8	146 2888 000	1	Schlüsselschalter Kappe
9	30785A	1	Handgriff Steuerung
10	71425A	1	Aufkleber, Bedienelement SEE TSB--CL 2010--33
11	61929A	1	Bedienfeld
12	39886A	1	Dichtung 13.50 Bedienfeld
13	41067A	1	Platine
13	56382501	1	FUNCTION BOARD SERVICE KIT
14	50267A	4	SCREW 8-32 X 3/8 NYLON
15	30784A	1	HOUSING CONTROL
16	87902A	4	Schraube 6mmx1.00x30mm
17	980614	8	WASHER,LK 1/4 EXT TOOTH(PLTD)
18	87007A	6	Scheibe.250 ISO 7089 St steuerwelle
19	88628A	4	SCREW M6-1 X 45MM HEX
20	41431B	2	Schutzschalter 35A thermisch sch
21	39888A	1	ABLASS-SCHLAUCHHALTERUNG
22	980643	2	7/16ODX.036THK Unterlegscheibe heibe
23	30831A	1	INSULATOR MYLAR
24	61948A	1	WASHER TAB GROUND
25	980205	2	Scheibe
26	980666	2	Klemmring 3/8" (ø10)
NS	41063A	1	HARNESS KEY SWITCH
NS	56469382	1	TERM. 250 INS. TAB

NS = Not Show n

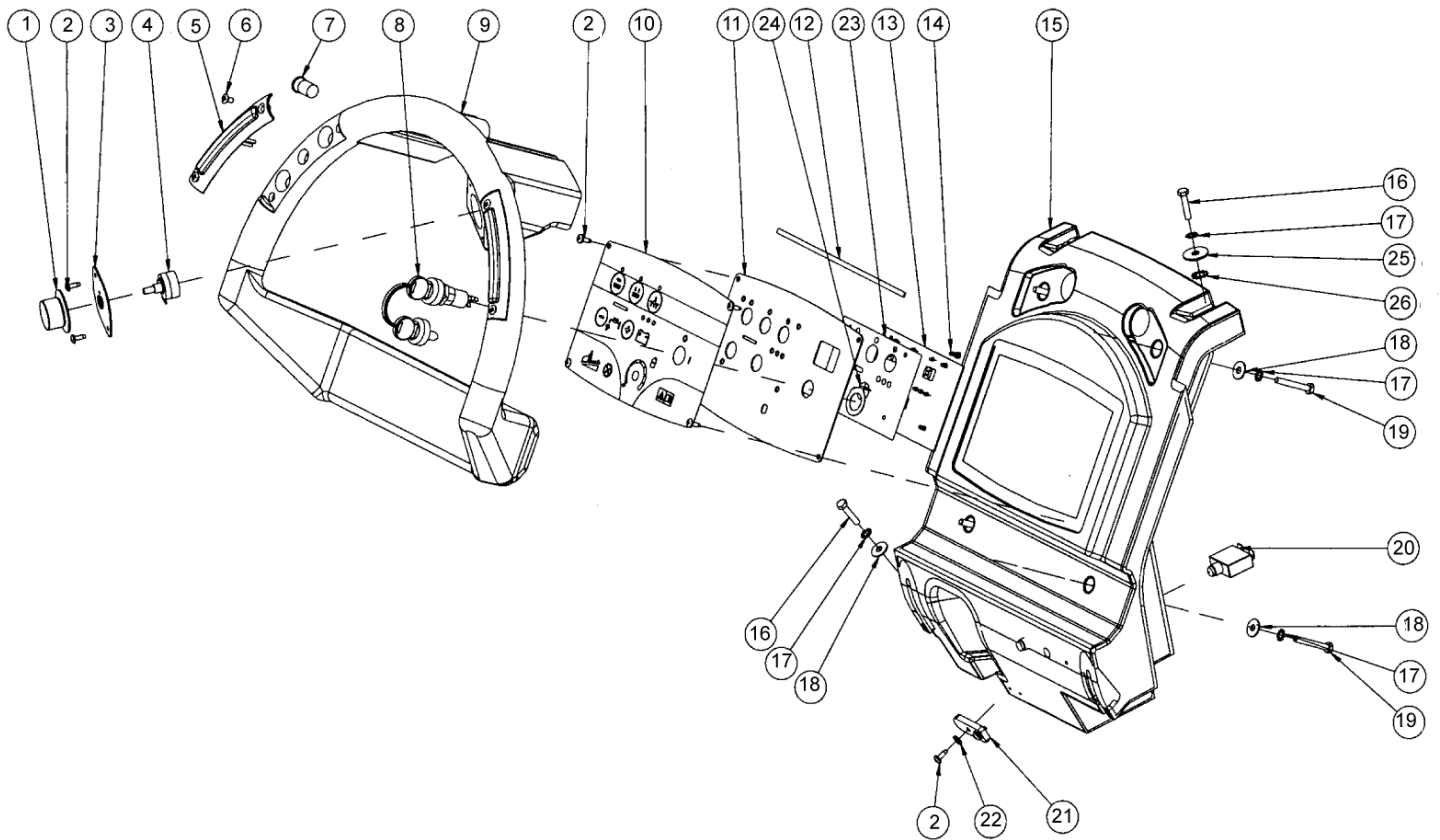
Handle Assembly, Cylindrical Model

SCRUBTEC 8, 866-871-871C-886

06-11-2014

ET-Liste-Nr.
SCRUB807

9



Handle Assembly, Cylindrical Model

SCRUBTEC 8, 866-871-871C-886

06-11-2014

ET-Liste-Nr.
SCRUB807

10

Pos	Artikelnr.	Me	Beschreibung
1	50962A	1	Bedienknopf
2	962957	10	SCR 10-16X 1/2 PN*ST HI 1/2 PN ST HI-LO
3	61922A	1	PLATE POTENTIOMETER
4	41078A	1	Kabelbaum, Traverse
5	11131A	2	Steuereinheit
6	80192A	4	Schraube M5x0,8 x 16mm
7	52556A	1	Tastschalter 36V "ENCORE 17" 36V
8	146 2888 000	1	Schlüsselschalter Kappe
9	30785A	1	Handgriff Steuerung
10	71484A	1	LABEL CONTROL PANEL CYL
11	61929A	1	Bedienfeld
12	39886A	1	Dichtung 13.50 Bedienfeld
13	41067A	1	Platine
13	56382501	1	FUNCTION BOARD SERVICE KIT
14	50267A	4	SCREW 8-32 X 3/8 NYLON
15	30784A	1	HOUSING CONTROL
16	87902A	4	Schraube 6mmx1.00x30mm
17	980614	8	WASHER,LK 1/4 EXT TOOTH(PLTD)
18	87007A	6	Scheibe.250 ISO 7089 St steuerwelle
19	88628A	4	SCREW M6-1 X 45MM HEX
20	41422B	2	Circuit breaker,25a 90 Grad
21	39888A	1	ABLASS-SCHLAUCHHALTERUNG
22	980643	2	7/16ODX.036THK Unterlegscheibe heibe
23	30831A	1	INSULATOR MYLAR
24	61948A	1	WASHER TAB GROUND
25	980205	2	Scheibe
26	980666	2	Klemmring 3/8" (ø10)
NS	41063A	1	HARNESS KEY SWITCH
NS	56469382	1	TERM. 250 INS. TAB

NS = Not Show n

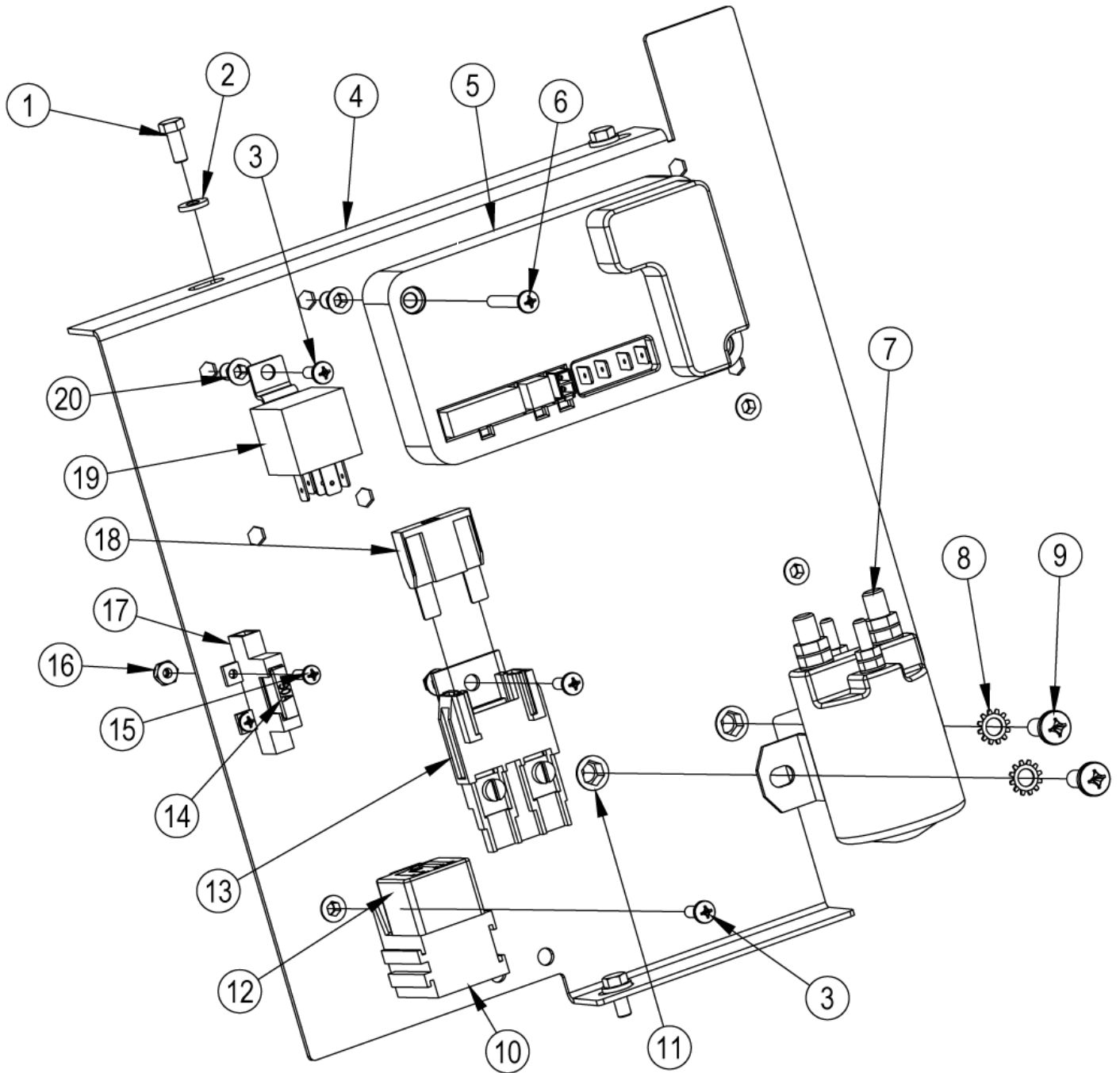
Electrical Box Assembly

SCRUBTEC 8, 866-871-871C-886

06-11-2014

ET-Liste-Nr.
SCRUB809

11



Electrical Box Assembly

SCRUBTEC 8, 866-871-871C-886

06-11-2014

ET-Liste-Nr.
SCRUB809

12

Pos	Artikelnr.	Me	Beschreibung	
1	80249A	3	6-kantschraube M5x0,8x12 VA	
2	980643	3	7/16ODX.036THK Unterlegscheibe heibe	
3	962027	3	SCREW, 8-32 X 1/2 PAN HD 8-32 X 1/2	
4	61933A	1	PLATE ELECTRICAL	
5	41068B	1	Steuergerät	
6	80380A	2	SCREW 8-32 X 1-1/4 PH	
7	56412179	1	CONTACTOR 24 VDC (f.BR700)	
8	980614	2	WASHER,LK 1/4 EXT TOOTH(PLTD)	
9	85391A	2	SCR 1/4-20X5/8 PN*SY	
10		1	NOTE COMMENT	Relay Holder included in 41061A Harness
11	54764A	2	INSERTHEX1/4-20 UNC ENCORE	
12	41075A	1	Relais	(Vacuum)
13		1	NOTE COMMENT	Fuse Holder included in 41061A Harness
14	41073A	1	Sicherung 30A Saugmotor	(Vacuum / see WARNING below)
15	962979	2	SCR 6-32X 1/2 PN*ST MAC	
16	920056	2	NUT-6X32 ELASTIC STOP	
17		1	NOTE COMMENT	Fuse Holder included in 41061A Harness
18	41074A	1	Sicherung 60A	(Traverse Motor / see WARNING below)
19	41069B	1	RELAY IDRIVE TRAVERSE	
20	54763A	7	INSERTHEX 8-32 UNC ENCORE	
NI	41061A	1	Kabelbaum Maschine	Harness, Machine
NI	41065B	1	Traverse f. Kabelbaum	Harness Traverse

WARNING: To reduce the risk of fire, when replacing fuse, replace only with same type and rating of fuse that comes with machine.

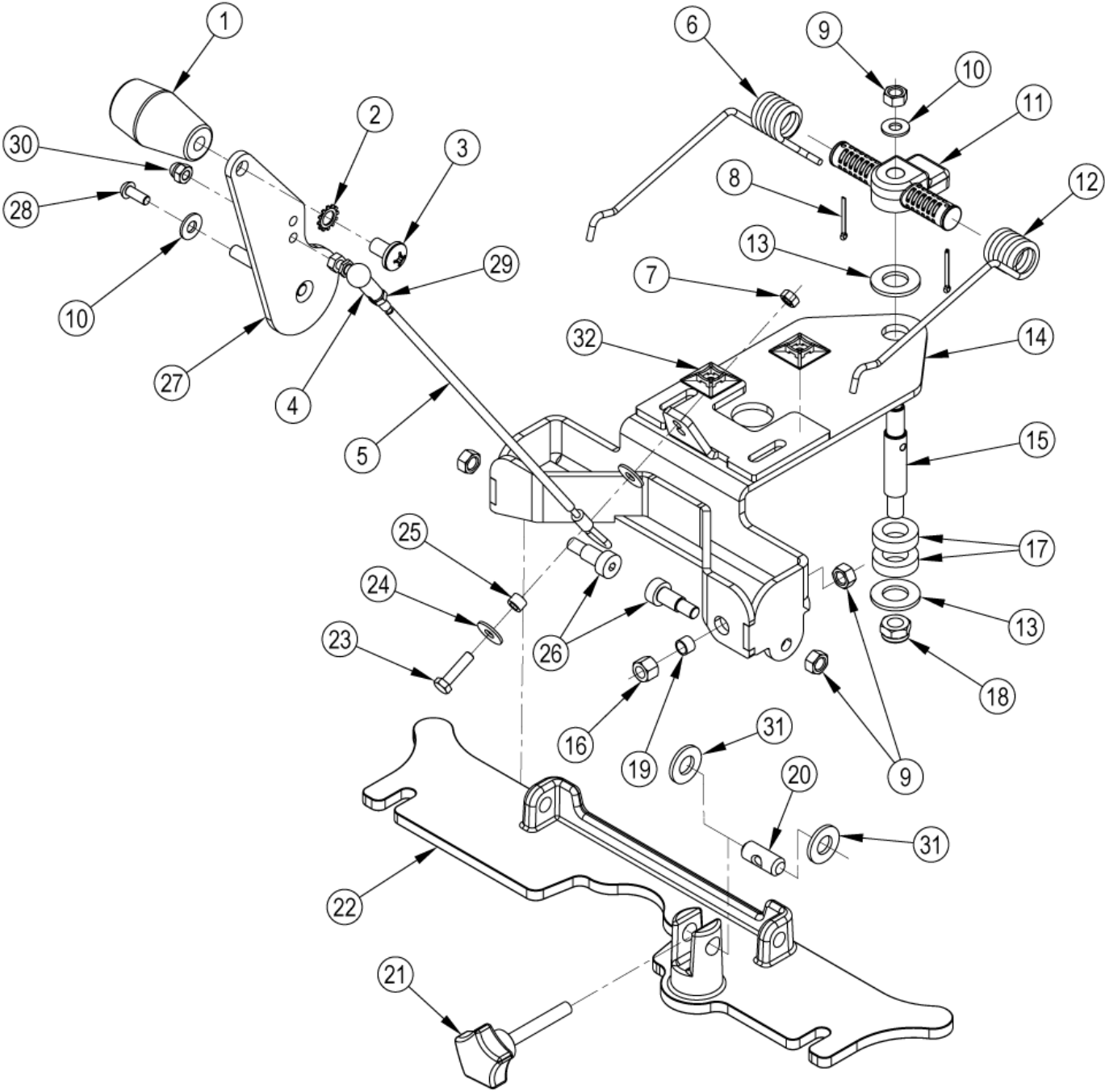
Squeegee Holder Assembly

SCRUBTEC 8, 866-871-871C-886

06-11-2014

ET-Liste-Nr.
SCRUB811

13



Squeegee Holder Assembly

SCRUBTEC 8, 866-871-871C-886

06-11-2014

ET-Liste-Nr.
SCRUB811

14

Pos	Artikelnr.	Me	Beschreibung
1	52557A	1	Handgriff mit Innen-Gewinde 3/8-16 anhebung
2	980666	1	Klemmring 3/8" (ø10)
3	85389A	1	SHR 6KT- 3/8-16 PN*SY 3/8-16 PN SY
4	145 8479 000	1	Gelenkkopf M6
5	9097366000	1	CABLE SQUEEGEE LIFTING
6	909 6537 000	1	Spannfeder
7	80199A	1	NUT M6-1 HEX NYLON LOCK S.S.
8	925044	2	PIN-3/32X1 COTTER
9	80198A	4	Mutter M8 ISO 10511 selbstsichernd
10	980651	2	WASHER, 5/16 SAE FLAT
11	909 6052 000	1	SUPPORT.SQUEEGEE SPRING
12	909 6538 000	1	SPRING.SQUEEGEE PUSHING
13	87613A	2	Scheibe 5/8" P
14	61953A	1	Grundplatte Saugleiste
15	909 6497 000	1	Bolzen
16	80163A	1	Mutter M8
17	38708A	2	SPACER,BRUSH END, EXT-210 EXT-210
18	80223A	1	NUT M10-1.5 NYLOCK
19	L08602422	1	Hülse 8x10x7
20	L08601509	1	Kontermutter
21	54699A	1	Drehknopf M8x55
22	909 6045 000	1	SUPPORT, SQUEEGEE BA551/611
23	964054	1	SCR M 6.0X1.0 X 25 HX ST
24	87007A	2	Scheibe.250 ISO 7089 St steuerwelle
25	146 2258 000	1	SPACER 6.1X10X6.5
26	909 6495 000	2	Schraube M10x16
27	61952A	1	Schwenkhebel
28	80179A	1	SCREW M6-1 X 16MM PHD PH SS
29	80171A	1	NUT M6-1 HEX
30	88640A	1	NUT M6-1 ACORN ZINC PLATED
31	80424A	2	WASHER NYLON 1 X 1/2 X .100
32	909 6635 000	2	Flachanker

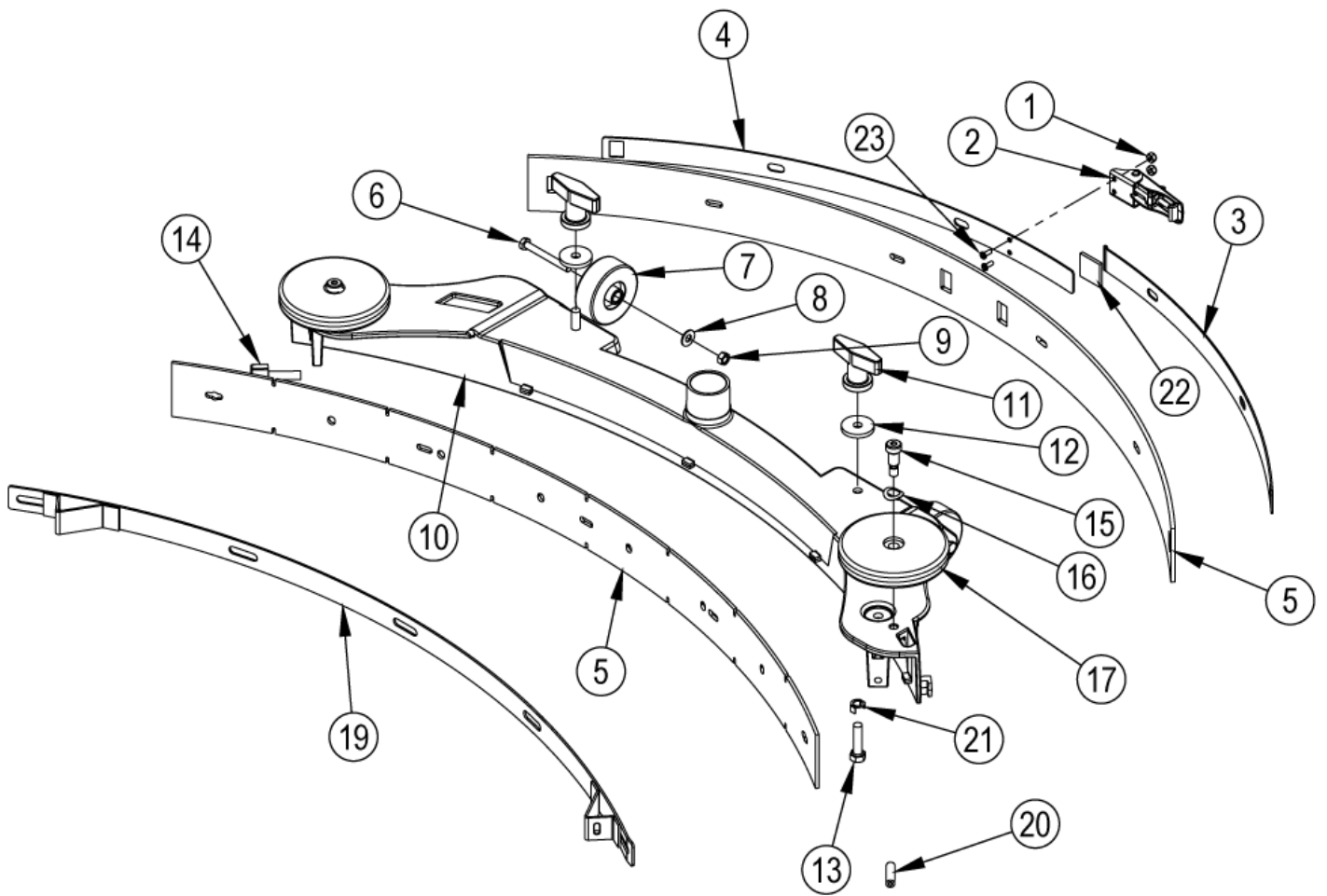
Squeegee Assembly, 32,5" - SCRUBTEC 860

SCRUBTEC 8, 866-871-871C-886

06-11-2014

ET-Liste-Nr.
SCRUB813

15



Squeegee Assembly, 32,5" - SCRUBTEC 86€

SCRUBTEC 8, 866-871-871C-886

06-11-2014

ET-Liste-Nr.
SCRUB813

16

Pos	Artikelnr.	Me	Beschreibung	
0	10398A	1	SQUEEGEE ASSY 32.5	NOTE 1
1	56002907	2	NUT HEX NYL LOC SS 6-32	
1	83009A	2	Hohlriete 5/32 DIA.126 .187 G	
2	9098321000	1	LATCH SQUEEGEE	
3	9097356000	1	Band, Saugleiste hinten links	
4	9097357000	1	STRAP SQUEEGEE RT REAR 32.5	
5	11333A	1	SQUEEGEE BLADE KIT 32.5IN URETHANE	NOTE 2
6	88629A	2	Sechskantschraube M6, 1 x 55mm	
7	909 6883 000	1	WHEELS SQUEEGEE KIT	2 pcs.
8	87026A	2	Scheibe .250 V VA	
9	80199A	2	NUT M6-1 HEX NYLON LOCK S.S.	
10	29927A	1	Rahmen, Saugfuß 32.5	NOTE 3
11	56370711	1	Mutter	
12	87607A	2	WASHER,FLT,1,25X,52X,06 NYLON Nylon	
13	962157	2	SCR 5/16-18X1&1/4 HX ST CAP HX ST CAP	
14	54647A	1	Knopf M8X30 SS	
15	88609A	2	Schraube 5/16-18 x 3/8 X	
16	80317A	2	WASHER BOWED .455 ID X .740 OD	
17	30048A	2	Rolle ø100 x ø10-Nabe schwarz K schwarz Ku	
18	30817U	1	Sauglippe v orne/innen, Urethan	
19	60465A	1	Riemen Saugleiste Front 32.5	
20	88632A	1	Schraubensatz	
21	60564A	2	SHIM SQUEEGEE KNOB	
22	39717A	1	Teller, Saugleiste Schaum	
23	56002909	2	SCR PAN PHL SS6-32X38	

NOTE 1: Squeegee Assembly includes Urethane blades.

NOTE 2: Squeegee Blade Kit includes both front and rear squeegee blades.

NOTE 3: The squeegee frame is not available for sale. If you need to replace the squeegee frame please order the entire squeegee assembly

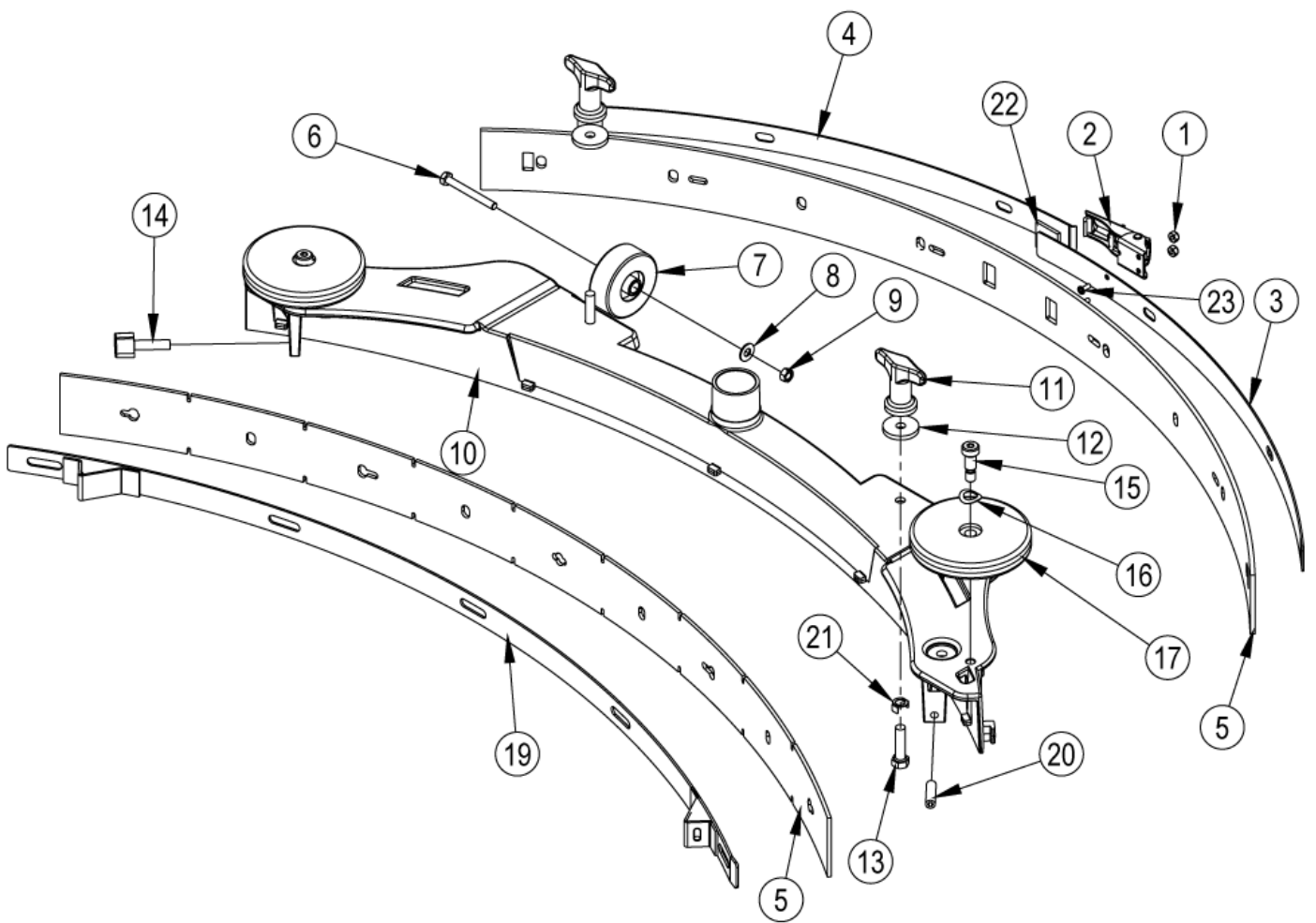
Squeegee Assembly, 35" - 871, 871C and BOO!

SCRUBTEC 8, 866-871-871C-886

06-11-2014

ET-Liste-Nr.
SCRUB815

17



Squeegee Assembly, 35" - 871, 871C and BOOS

SCRUBTEC 8, 866-871-871C-886

06-11-2014

ET-Liste-Nr.
SCRUB815

18

Pos	Artikelnr.	Me	Beschreibung	
0	10399A	1	SQUEEGEE ASSY 35	NOTE 1
1	56002907	2	NUT HEX NYL LOC SS 6-32	
1	83009A	2	Hohlriete 5/32 DIA.126 .187 G	
2	9098321000	1	LATCH SQUEEGEE	
3	9097361000	1	STRAP SQUEEGEE LEFT REAR 35 links	
4	9097362000	1	STRAP SQUEEGEE RIGHT REAR 35 rechts	
5	11332A	1	SQUEEGEE BLADE KIT	NOTE 2
6	88629A	2	Sechskantschraube M6, 1 x 55mm	
7	909 6883 000	1	WHEELS SQUEEGEE KIT	2 pcs.
8	87026A	2	Scheibe .250 V VA	
9	80199A	2	NUT M6-1 HEX NYLON LOCK S.S.	
10	29928A	1	FRAME SQUEEGEE 35	NOTE 3
11	9098257000	2	NUT THUMB SQUEEGEE FIXING	
12	87607A	2	WASHER,FLT,1,25X,52X,06 NYLON Nylon	
13	962157	2	SCR 5/16-18X1&1/4 HX ST CAP HX ST CAP	
14	54647A	1	Knopf M8X30 SS	
15	88609A	2	Schraube 5/16-18 x 3/8 X	
16	80317A	2	WASHER BOWED .455 ID X .740 OD	
17	30048A	2	Rolle ø100 x ø10-Nabe schwarz K schwarz Ku	
18	30818U	1	BLADE URETHANE FRONT 35	
19	60466A	1	STRAP SQUEEGEE FRONT 35	
20	88632A	1	Schraubensatz	
21	60564A	2	SHIM SQUEEGEE KNOB	
22	39717A	1	Teller, Saugleiste Schaum	
23	56002909	2	SCR PAN PHL SS6-32X38	

NOTE 1: Squeegee Assembly includes Urethane blades.

NOTE 2: Squeegee Blade Kit includes both front and rear squeegee blades.

NOTE 3: The squeegee frame is not available for sale. If you need to replace the squeegee frame please order the entire squeegee assembly

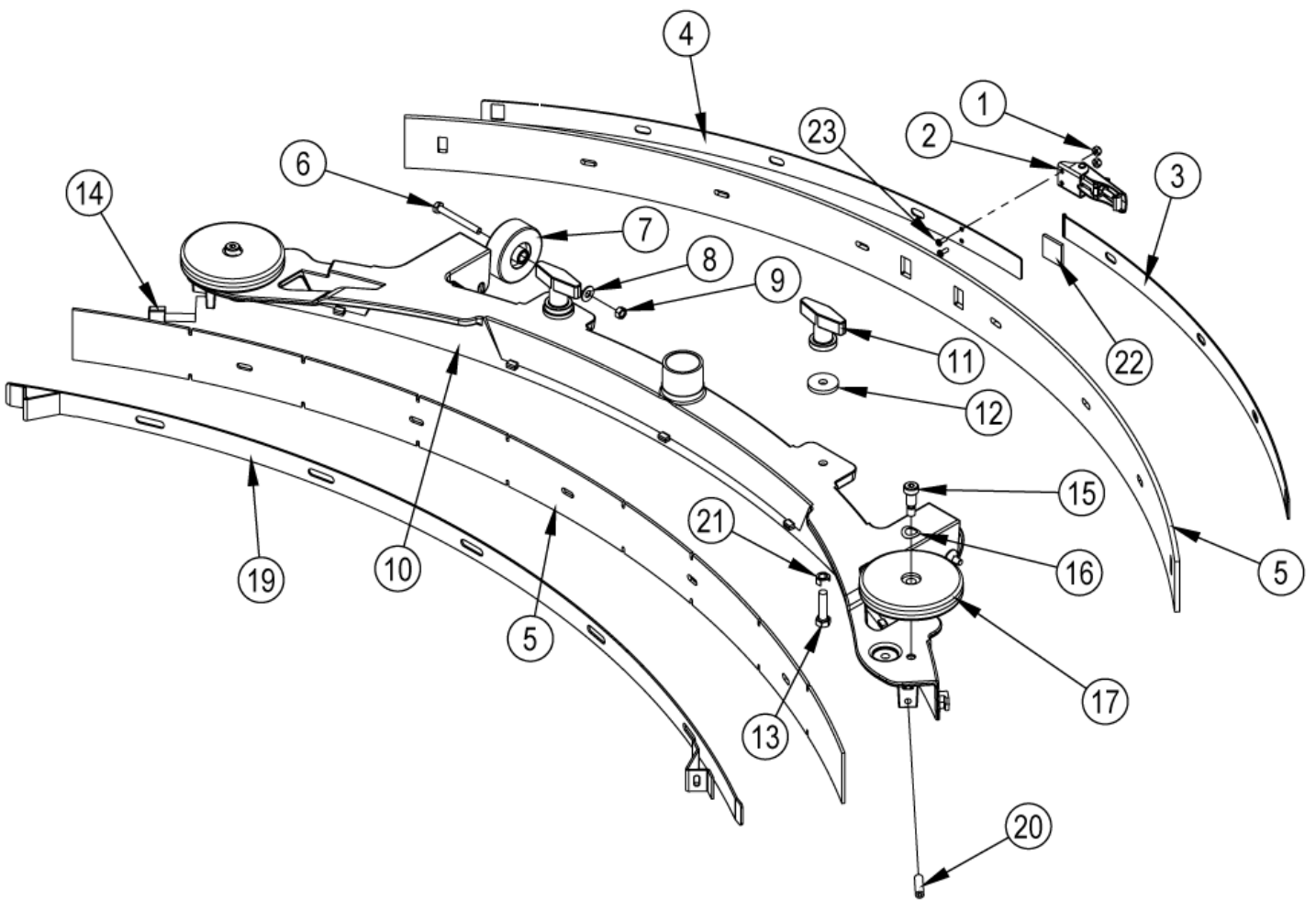
Squeegee Assembly, 41" - SCRUBTEC 886

SCRUBTEC 8, 866-871-871C-886

06-11-2014

ET-Liste-Nr.
SCRUB817

19



Squeegee Assembly, 41" - SCRUBTEC 886

SCRUBTEC 8, 866-871-871C-886

06-11-2014

ET-Liste-Nr.
SCRUB817

20

Pos	Artikelnr.	Me	Beschreibung	
0	10748A	1	Saugf uß kpl. 42	NOTE 1
1	56002907	2	NUT HEX NYL LOC SS 6-32	
1	83009A	2	Hohlriete 5/32 DIA.126 .187 G	
2	9098321000	1	LATCH SQUEEGEE	
3	9097375000	1	Band, Saugleiste rechts	
4	9097376000	1	STRAP SQUEEGEE LEFT REAR 41	
5	11331A	1	SQUEEGEE BLADE KIT 41URETHANE	NOTE 2
6	88629A	2	Sechskantschraube M6, 1 x 55mm	
7	909 6883 000	1	WHEELS SQUEEGEE KIT	2 pcs.
8	87026A	2	Scheibe .250 V VA	
9	80199A	2	NUT M6-1 HEX NYLON LOCK S.S.	
10	29929A	1	FRAME SQUEEGEE 41	NOTE 3
11	56370711	2	Mutter	
12	87607A	2	WASHER,FLT,1,25X,52X,06 NYLON Nylon	
13	962157	2	SCR 5/16-18X1&1/4 HX ST CAP HX ST CAP	
14	54647A	1	Knopf M8X30 SS	
15	88609A	2	Schraube 5/16-18 x 3/8 X	
16	80317A	2	WASHER BOWED .455 ID X .740 OD	
17	30048A	2	Rolle ø100 x ø10-Nabe schwarz K schwarz Ku	
18	30819U	1	Sauglippe v orne/innen, Urethan	
19	60546A	1	Befestigungsleiste	
20	88632A	1	Schraubensatz	
21	60564A	2	SHIM SQUEEGEE KNOB	
22	39717A	1	Teller, Saugleiste Schaum	
23	56002909	2	SCR PAN PHL SS6-32X38	

NOTE 1: Squeegee Assembly includes Urethane blades.

NOTE 2: Squeegee Blade Kit includes both front and rear squeegee blades.

NOTE 3: The squeegee frame is not available for sale. If you need to replace the squeegee frame please order the entire squeegee assembly

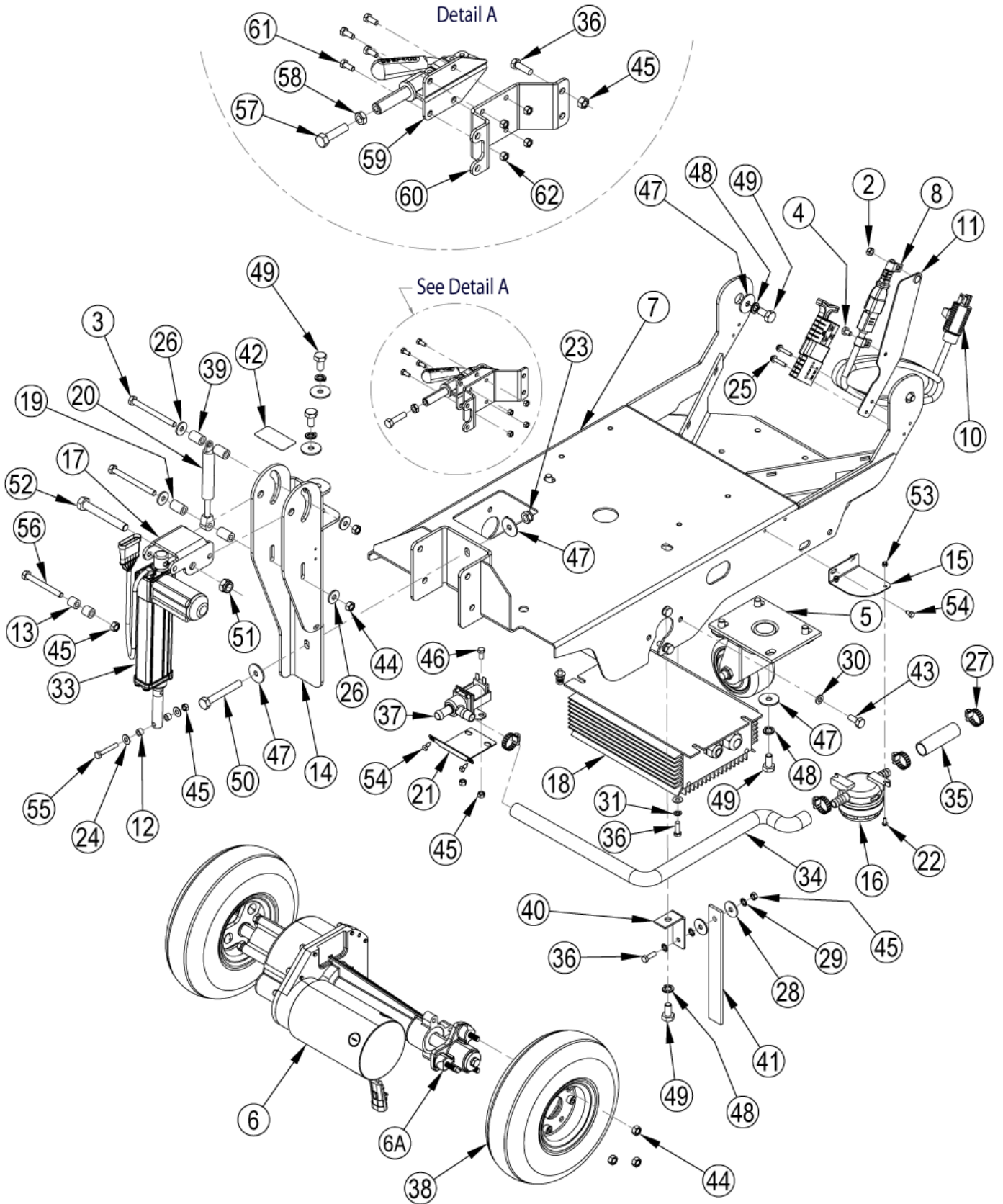
Frame Assembly

SCRUBTEC 8, 866-871-871C-886

06-11-2014

ET-Liste-Nr.
SCRUB819

21



Frame Assembly

SCRUBTEC 8, 866-871-871C-886

06-11-2014

ET-Liste-Nr.
SCRUB819

22

Pos	Artikelnr.	Me	Beschreibung	
1	699202	3	TIE-WIRE 935A	
2	56002840	1	Nut 1/4 20 - s. 56002708 -	
3	56003390	2	Schraube, HEXM8x1,25x90mm	
4	56009019	1	Schraube 1/4-20x.38	
5	56112308	1	CASTER SWIVEL 4.00 X 2.00	
6	40628A	1	Kohlebürste	
6	56381750	1	TRANSAXLE KIT	NOTE 3 / TSBCL2010-25 / TSBCL2009-02
6	56382670	1	KIT TRANSAXLE MOTOR	
7	56112765	1	CHASSIS WELDT	
8	56323260	2	Kabelbride zu BR 1000	
9	56381749	1	Adapter Getriebe	
10	40289A	1	CORD CHARGER AUSTRALIAN	NOTE 6
10	56383388	1	CORD-CHARGER EUROPE	NOTE 1 / TSB-FC-2013-123
11	56383386	1	POWER CORD BRACKET	
12	146 2258 000	2	SPACER 6.1X10X6.5	
13	909 6112 000	2	SPACER 8.2X15X14	
14	9097368000	1	Hubunterstützung	
15	9097370000	1	Plate Support Filter nicht mehr lieferbar	
16	9100000362	1	FILTER WATER	
17	9097456000	1	Hebel	
18	9099679000	1	Ladegerät 24V 25A	
19	909 6113 000	2	SPACER 8.2X15X24	
20	54689A	1	GAS SPRING 500N	
21	61932A	1	PLATE SOLUTION SYSTEM SUPPORT	
22	80057A	2	SCREW,M4-.7X10 PN PHILLIP SS	
23	80223A	1	NUT M10-1.5 NYLOCK	
24	87026A	6	Scheibe .250	V VA
25	88641A	2	SCREW M5 X 25MM HEX TRILOBE	
26	170860	4	WASHER FLT 5/16 PLTD	
27	722030	4	Clamp, Hose #6	
28	980205	2	Scheibe	
29	980614	3	WASHER,LK 1/4 EXT TOOTH(PLTD)	
30	980652	7	Scheibe LK 5/16 REG	PLT PLTD
31	980657	4	WASHER,LK 1/4 STD	
32		1	NOTE COMMENT	Intentionally Omitted
33	40280A	1	ACTUATOR BOOST 32	(for BOOST 28/32 models only)
33	9100000680	1	ACTUATOR LINEAR 24V DC STRK 100MM PKD	(for all models except BOOST)
34	30828A	1	Schlauch	
35	30829A	1	Schlauch	
36	57994A	5	SCREW M6 X 20 HEX HD	
37	59789A	1	VALVE, ELECTRIC (KIT #14669A) wasser (Kit Nr. 14669A)	

NOTE 1: Only used on models with on-board charger.

NOTE 2: Only used on models without on-board charger.

NOTE 3: Transaxle 56380160 is obsolete and replaced by Transaxle Kit 56381750

NOTE 4: Optional Brake Kit 56112221

NOTE 5: For machines built before SN3000035867 (w hich used w heel 54697A) order Wheel Assembly Kit

Frame Assembly

SCRUBTEC 8, 866-871-871C-886

06-11-2014

ET-Liste-Nr.
SCRUB819

23

Pos	Artikelnr.	Me	Beschreibung	
38	60580A	2	WHEEL 10IN FOAM FILLED	NOTE 5 / TSBC2010-25
39	61937A	2	SPACER	
40	61949A	1	BRACKET GROUND STRAP	
41	69639A	1	STATIC STRAP (FUSION)	
42	71017A	1	Aufkleber, bewegliche Teile	
43	80183A	7	BOLT M8-1.25 X 20MM HEX	
44	80198A	9	Mutter M8 ISO 10511 selbstsichernd	
45	80199A	4	NUT M6-1 HEX NYLON LOCK S.S.	
46	80214A	2	SCREW M6-1 X 12 HEX HD. C.S.	
47	87054A	11	WASHER, FENDER .375	
48	88612A	10	WASHER M10 LOCK	
49	88614A	10	SCREW M10-1.5 X 20MM HEX	
50	88616A	1	SCREW M10-1.5 X 75MM HEX	
51	88618A	1	Mutter M12	
52	88620A	1	SCREW M12-1.75 X 90MM HEX	
53	88623A	2	Mutter M4	
54	88624A	4	SCREW M5 X 12MM HEX TRILOBE	
55	88626A	1	SCREW M6-1 X 40MM HEX	
56	88635A	1	SCREW M8-1.25 X 75MM HEX	
57	962157	1	SCR 5/16-18X1&1/4 HX ST CAP HX ST CAP	NOTE 4
58	920160	1	NUT-5/16-18 HEX JAM nicht mehr lieferbar	NOTE 4
59	54772A	1	CLAMP TOGGLE STRAIGHT LINE	NOTE 4
60	61934A	1	BRACKET BRAKE	NOTE 4
61	80249A	4	6-kantschraube M5x0,8x12 VA	NOTE 4
62	80196A	4	NUT M5-0.8 HEX NYLON INSERT	NOTE 4
6A	56380158	2	Flanschkit	NOTE 4
100	41062A	1	HARNESS CHR9 JUMPER	NOTE 2
101	56383075	1	Ladegerät SCR 24V 25A	NOTE 2
102	40297A	1	CABLE CHARGER ADAPTER	NOTE 2

NOTE 1: Only used on models with on-board charger.

NOTE 2: Only used on models without on-board charger.

NOTE 3: Transaxle 56380160 is obsolete and replaced by Transaxle Kit 56381750

NOTE 4: Optional Brake Kit 56112221

NOTE 5: For machines built before SN3000035867 (which used wheel 54697A) order Wheel Assembly Kit

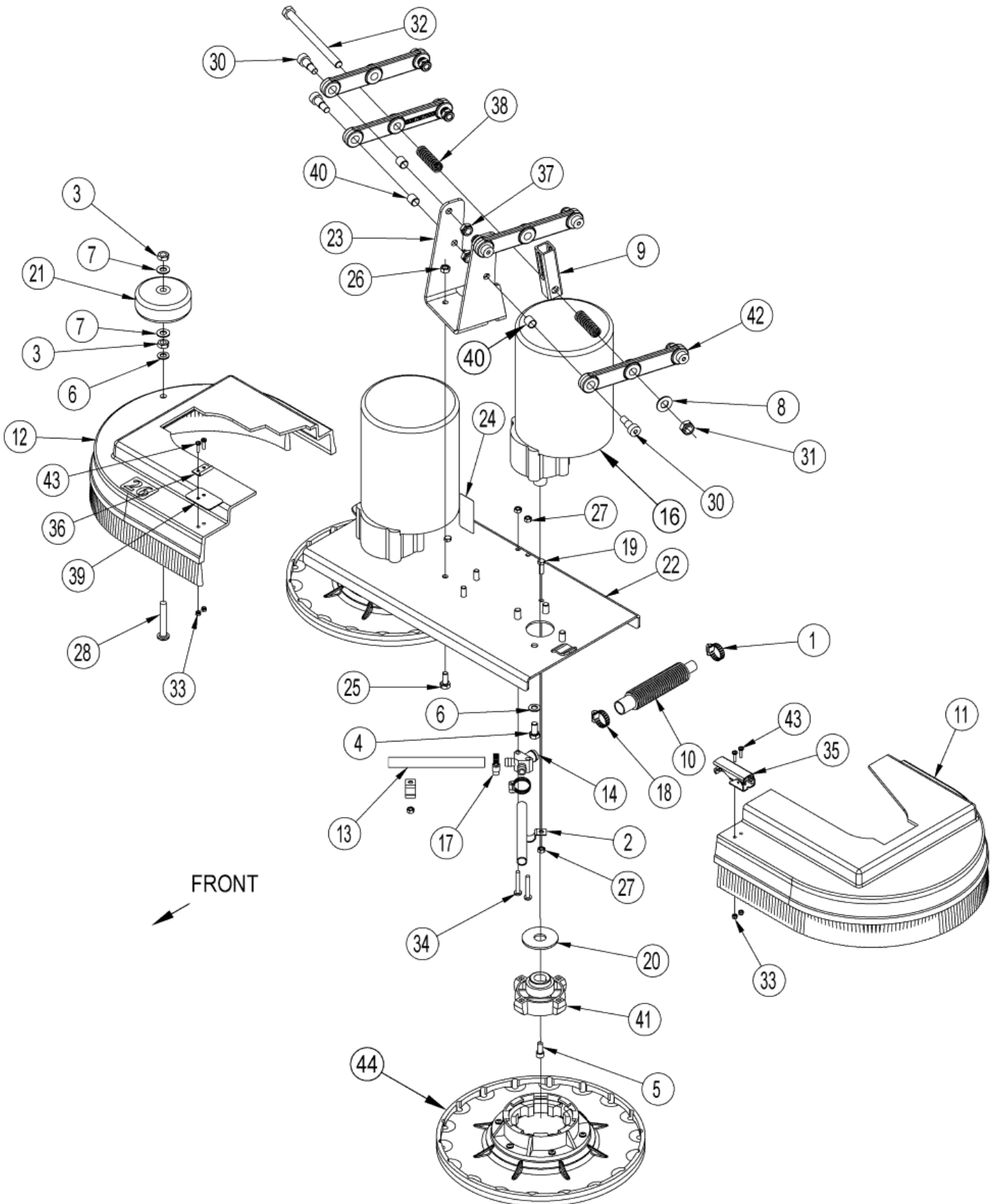
Brush Head Assembly, 866

SCRUBTEC 8, 866-871-871C-886

06-11-2014

ET-Liste-Nr.
SCRUB821

24



Brush Head Assembly, 866

SCRUBTEC 8, 866-871-871C-886

06-11-2014

ET-Liste-Nr.
SCRUB821

25

Pos	Artikelnr.	Me	Beschreibung
1	722030	1	Clamp, Hose #6
2	782002	2	CLAMP-MANIFOLD RM-10 RM-10
3	920248	2	Mutter 3/8-16
4	962244	8	SCREW,3/8-16 X 3/4 HX HD 3/8-16 X 3/4 HH CAP
5	962714	2	SCR 5/16-18X 3/4 SC ST SC ST NYLOK
6	980638	9	Federscheibe 3/8"
7	980645	2	Scheibe 3/8"
8	980648	1	WASH-17/32 ID X 1&1/16 OD 1&1/16 Außen-Ø PLN
9	56109717	1	TUBE JACK MOTOR
10	30412A	1	Saugschlauch "VISION"
11	30661A	1	Abdeckung links
12	30662A	1	Abdeckung rechts
13	34705A	2	HOSE, BRUSH (VISION 26L)
14	38014A	1	SPLITTER, SOLUTION (ENCORE)
15	40645A	4	Gehäuse mit Flachstecker US schwarz K US schwarz Ku
16	44809B	2	Getriebemotor 24VDC 200/min Bürstenantr in Bürstenantr.
17	50248A	2	CLAMP, 3/8 HOSE
18	53571A	1	Schlauchschele
19	57994A	2	SCREW M6 X 20 HEX HD
20	59856A	2	Washer,flat rubber,3/4X 3/4 X 2 1/4
21	59950A	1	Wheel ASM,drive(32auto)
22	61925A	1	Bürstenteller 26
23	61926A	1	Kopfhalterung f. Anheber
24	71017A	2	Aufkleber,bewegliche Teile
25	80183A	3	BOLT M8-1.25 X 20MM HEX
26	80198A	3	Mutter M8 ISO 10511 selbstsichernd
27	80199A	4	NUT M6-1 HEX NYLON LOCK S.S.
28	85610A	1	SCREW, ,375-16 X 2,50 PN PH SS PN PH SS
30	88617A	8	Schraube M10
31	88618A	1	Mutter M12
32	88619A	1	Schraube M12
33	88623A	4	Mutter M4
34	88627A	2	SCREW M6 X 40MM PAN
35	55721A	1	Verriegelung f. Encore 28-33 -33
36	55451A	1	KEEPER,BRSH,HSG,(ENCORE 28-38)
37	80223A	8	NUT M10-1.5 NYLOCK
38	E04016	2	SPRING
39	69186A	1	TAB,LATCH,BRUSH (ENCORE 33) Bürste
40	56112548	8	BUSHING
41	56382665	2	Kardanring
42	56382618	4	Hebelkit
43	964002	4	SCR M 4.0X0.7 X 16 PN*ST PN ST
44	38035A	2	DRIVER PAD 13 GIMBAL

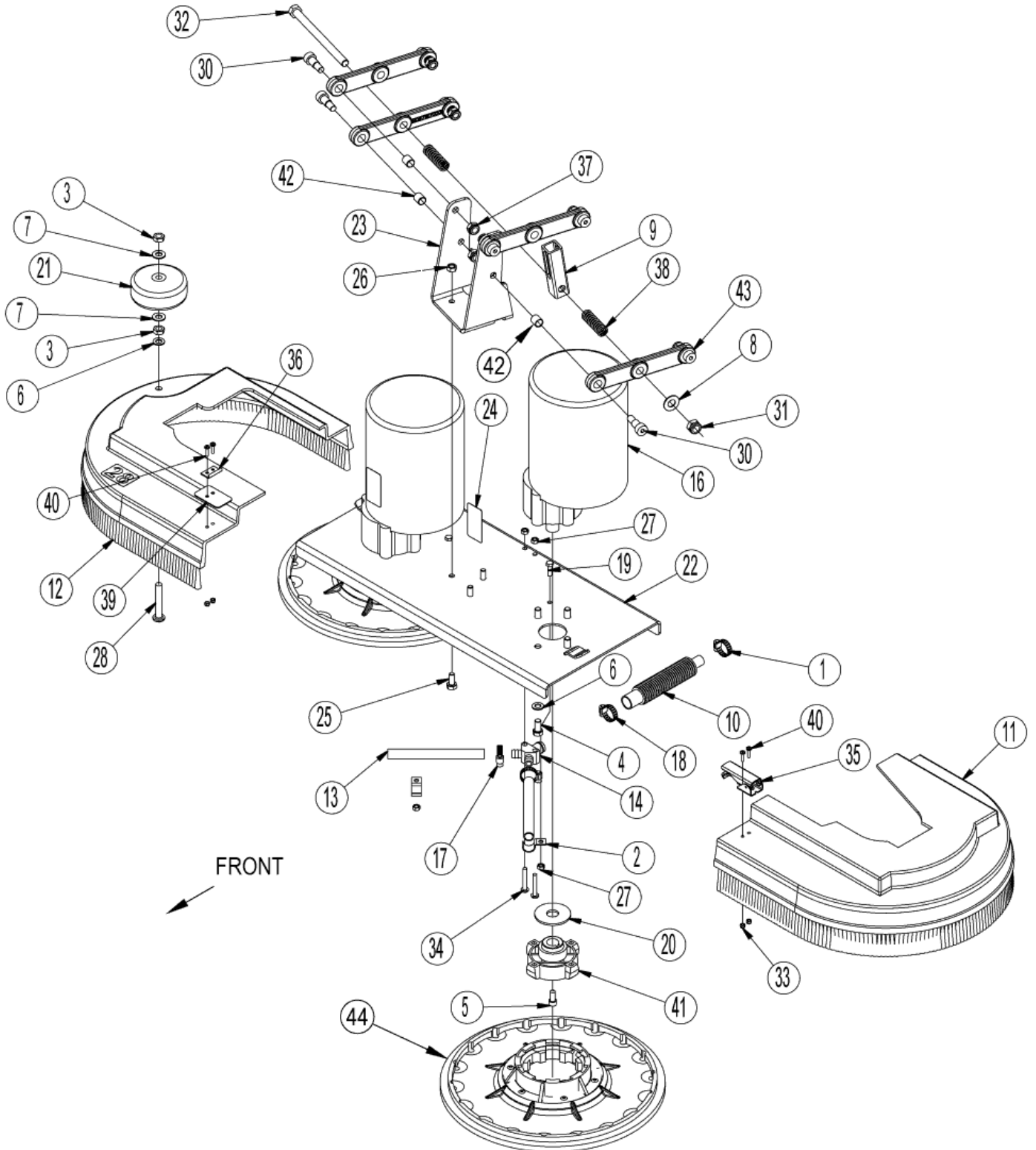
Brush Head Assembly, 871

SCRUBTEC 8, 866-871-871C-886

06-11-2014

ET-Liste-Nr.
SCRUB823

26



Brush Head Assembly, 871

SCRUBTEC 8, 866-871-871C-886

06-11-2014

ET-Liste-Nr.
SCRUB823

27

Pos	Artikelnr.	Me	Beschreibung
1	722030	1	Clamp, Hose #6
2	782002	2	CLAMP-MANIFOLD RM-10 RM-10
3	920248	2	Mutter 3/8-16
4	962244	8	SCREW,3/8-16 X 3/4 HX HD 3/8-16 X 3/4 HH CAP
5	962714	2	SCR 5/16-18X 3/4 SC ST SC ST NYLOK
6	980638	9	Federscheibe 3/8"
7	980645	2	Scheibe 3/8"
8	980648	1	WASH-17/32 ID X 1&1/16 OD 1&1/16 Außen-Ø PLN
9	56109717	1	TUBE JACK MOTOR
10	30412A	1	Saugschlauch "VISION"
11	30574A	1	Bürste HSG links ""SCRUBTEC" 28" ubtec" 28 "
12	30575A	1	Bürste HSG RT ""SCRUBTEC""
13	34705A	2	HOSE, BRUSH (VISION 26L)
14	38014A	1	SPLITTER, SOLUTION (ENCORE)
15	40645A	4	Gehäuse mit Flachstecker US schwarz K US schwarz Ku
16	44809B	2	Getriebemotor 24VDC 200/min Bürstenantr in Bürstenantr.
17	50248A	2	CLAMP, 3/8 HOSE
18	56106070	6	BEARING BALL Z22
19	57994A	2	SCREW M6 X 20 HEX HD
20	59856A	2	Washer,flat rubber,3/4X 3/4 X 2 1/4
21	59950A	1	Wheel ASM,drive(32auto)
22	61924A	1	PLATE BRUSH 28
23	61926A	1	Kopfhalterung f. Anheber
24	71017A	2	Aufkleber,bewegliche Teile
25	80183A	3	BOLT M8-1.25 X 20MM HEX
26	80198A	3	Mutter M8 ISO 10511 selbstsichernd
27	80199A	4	NUT M6-1 HEX NYLON LOCK S.S.
28	85610A	1	SCREW, ,375-16 X 2,50 PN PH SS PN PH SS
30	88617A	8	Schraube M10
31	88618A	1	Mutter M12
32	88619A	1	Schraube M12
33	88623A	4	Mutter M4
34	88627A	2	SCREW M6 X 40MM PAN
35	55721A	1	Verriegelung f. Encore 28-33 -33
36	55451A	1	KEEPER,BRSH,HSG,(ENCORE 28-38)
37	80223A	8	NUT M10-1.5 NYLOCK
38	E04016	2	SPRING
39	69186A	1	TAB,LATCH,BRUSH (ENCORE 33) Bürste
40	964002	4	SCR M 4.0X0.7 X 16 PN*ST PN ST
41	56382665	2	Kardanring
42	56112548	8	BUSHING
43	56382618	4	Hebelkit
44	38036A	2	Treibteller 14"

NS = Not Show n

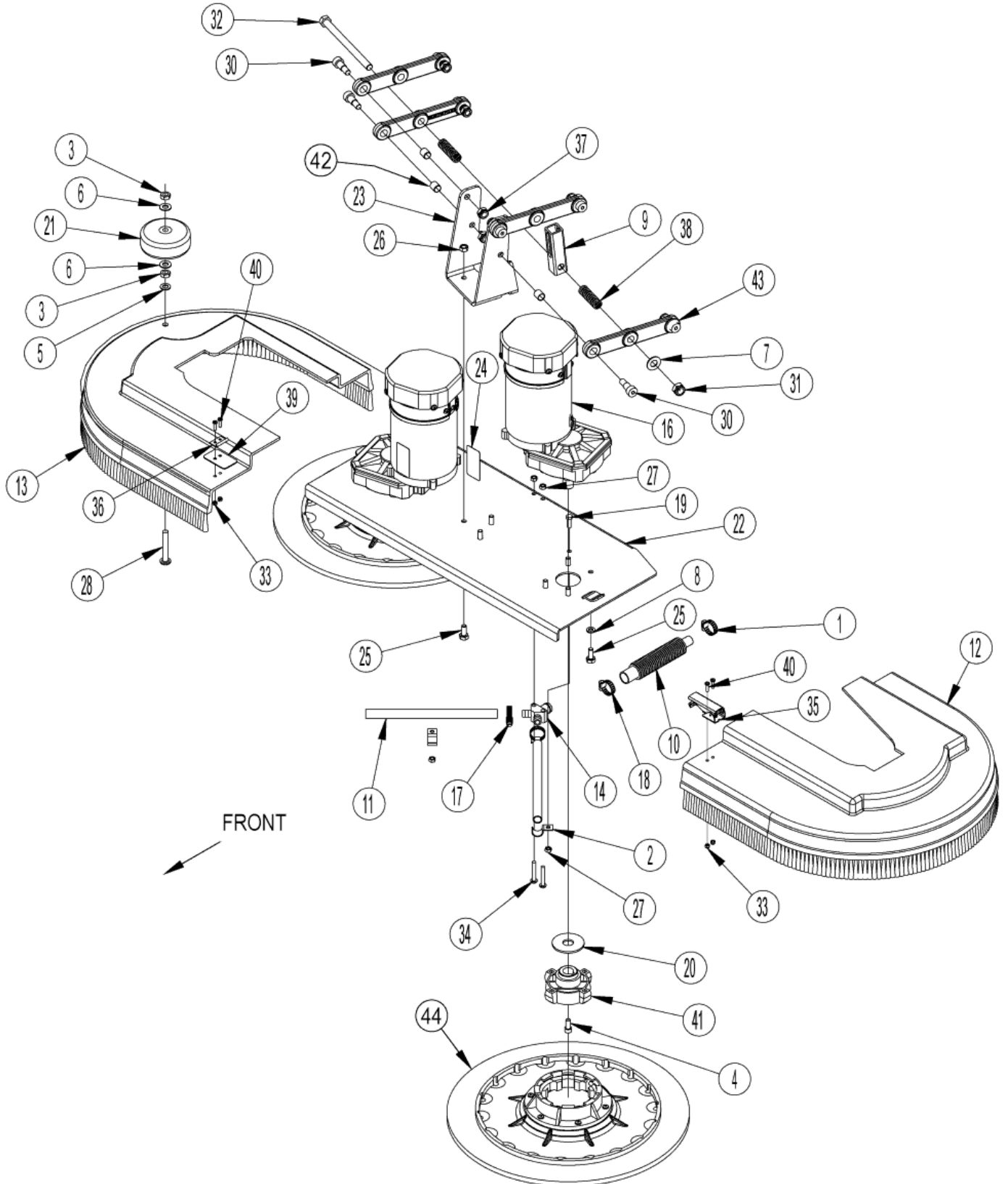
Brush Head Assembly, 886

SCRUBTEC 8, 866-871-871C-886

06-11-2014

ET-Liste-Nr.
SCRUB825

28



Brush Head Assembly, 886

SCRUBTEC 8, 866-871-871C-886

06-11-2014

ET-Liste-Nr.
SCRUB825

29

Pos	Artikelnr.	Me	Beschreibung
1	722030	1	Clamp, Hose #6
2	782002	2	CLAMP-MANIFOLD RM-10 RM-10
3	920248	2	Mutter 3/8-16
4	962714	2	SCR 5/16-18X 3/4 SC ST SC ST NYLOK
5	980638	1	Federscheibe 3/8"
6	980645	2	Scheibe 3/8"
7	980648	1	WASH-17/32 ID X 1&1/16 OD 1&1/16 Außen-Ø PLN
8	980652	8	Scheibe LK 5/16 REG PLT PLTD
9	56109717	1	TUBE JACK MOTOR
10	30412A	1	Saugschlauch "VISION"
11	30453A	2	HOSE,CLEAR VINYL (ENCORE) durchsichtig
12	30583A	1	Bürste HSG links ""SCRUBTEC" 34"
13	30584A	1	Bürste HSG RT ""SCRUBTEC" 34"
14	38014A	1	SPLITTER, SOLUTION (ENCORE)
15	40645A	4	Gehäuse mit Flachstecker US schwarz K US schwarz Ku
16	41046A	2	Bürstmotor
17	50248A	2	CLAMP, 3/8 HOSE
18	53571A	1	Schlauchschele
19	57994A	2	SCREW M6 X 20 HEX HD
20	59856A	2	Washer,flat rubber,3/4X 3/4 X 2 1/4
21	59950A	1	Wheel ASM,drive(32auto)
22	61923A	1	Platte f. Bürste 34
23	61926A	1	Kopfhalterung f. Anheber
24	71017A	2	Aufkleber,bewegliche Teile
25	80183A	11	BOLT M8-1.25 X 20MM HEX
26	80198A	3	Mutter M8 ISO 10511 selbstsichernd
27	80199A	4	NUT M6-1 HEX NYLON LOCK S.S.
28	85610A	1	SCREW, ,375-16 X 2,50 PN PH SS PN PH SS
30	88617A	8	Schraube M10
31	88618A	1	Mutter M12
32	88619A	1	Schraube M12
33	88623A	4	Mutter M4
34	88627A	2	SCREW M6 X 40MM PAN
35	55721A	1	Verriegelung f. Encore 28-33 -33
36	55451A	1	KEEPER,BRSH,HSG,(ENCORE 28-38)
37	80223A	8	NUT M10-1.5 NYLOCK
38	E04016	2	SPRING
39	69186A	1	TAB,LATCH,BRUSH (ENCORE 33) Bürste
40	964002	4	SCR M 4.0X0.7 X 16 PN*ST PN ST
41	56382665	2	Kardanring
42	56112548	8	BUSHING
43	56382618	4	Hebelkit
44	38034A	2	DRIVER PAD 17IN GIMBAL

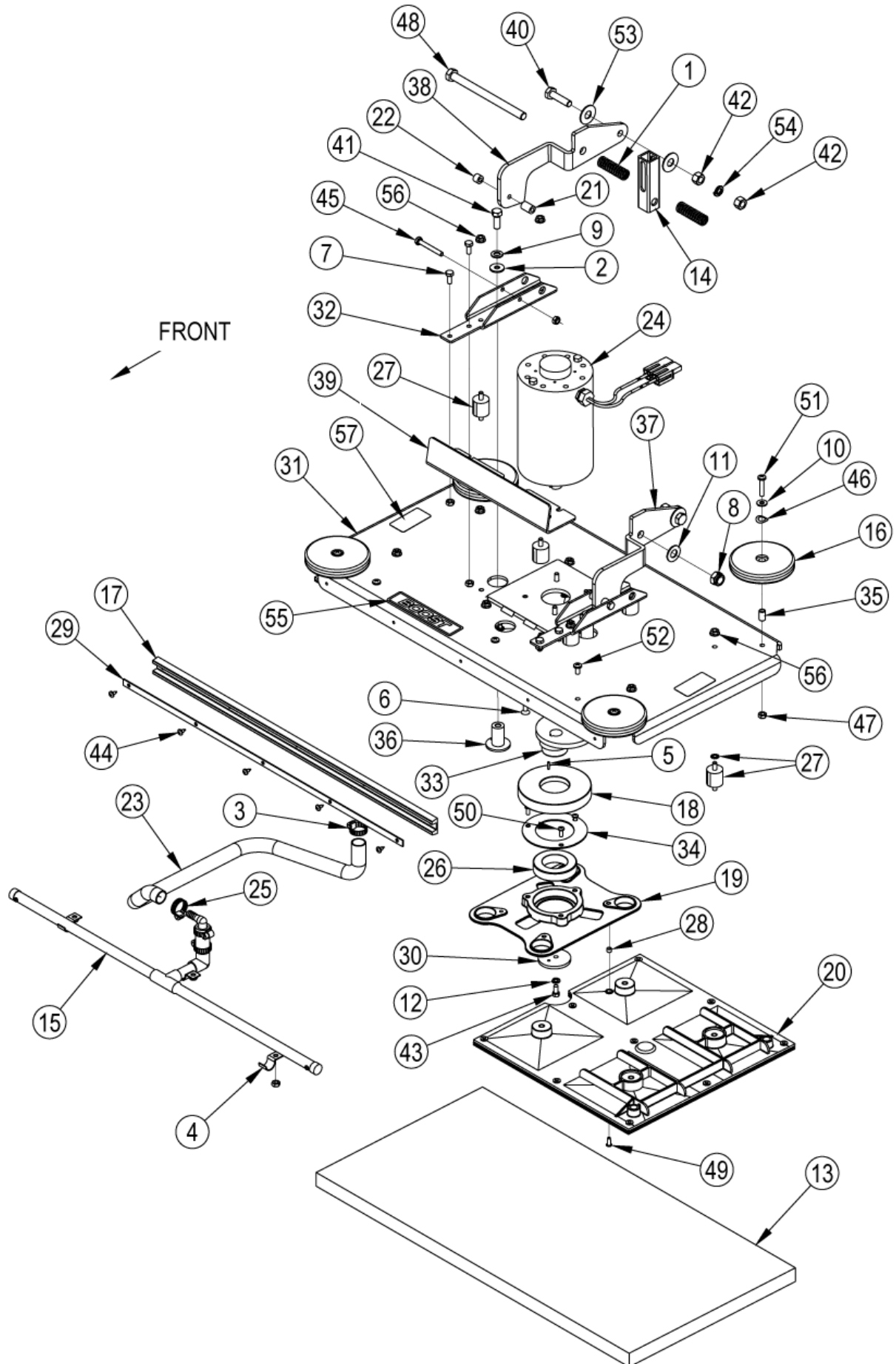
Brush Head Assembly Boost 8

SCRUBTEC 8, 866-871-871C-886

06-11-2014

ET-Liste-Nr.
SCRUB827

30



Brush Head Assembly Boost 8

SCRUBTEC 8, 866-871-871C-886

06-11-2014

ET-Liste-Nr.
SCRUB827

31

Pos	Artikelnr.	Me	Beschreibung	
1	E04016	2	SPRING	
2	170860	2	WASHER FLT 5/16 PLTD	
3	722030	1	Clamp, Hose #6	
4	782002	3	CLAMP-MANIFOLD RM-10 RM-10	
5	925589	1	1/8 X 1/2 PIN ROLL	
6	56001881	4	SCR FLT HD SOC 1/4-20X.75 nicht mehr lieferbar	NOTE 1 - TSBCL2010-12
7	962139	4	SCREW 1/4-20 X 5/8 HEX HD	
8	88618A	1	Mutter M12	
9	980638	2	Federscheibe 3/8"	
10	980646	4	WASHER, 1/4 SAE FLAT PLTD	
11	980648	1	WASH-17/32 ID X 1&1/16 OD 1&1/16 Außen-Ø PLN	
12	980657	1	WASHER,LK 1/4 STD	
13	997001	1	PAD RED 14X28 5-PK 5er Pack	
14	56109717	1	TUBE JACK MOTOR	
15	10309A	1	TUBE DRIP 28	
16	30048A	4	Rolle ø100 x ø10-Nabe schwarz K schwarz Ku	
17	30206A	1	Brush housing bumper gehäuse	
18	56380192	1	Lagerschild	NOTE 1 / NOTE 2 / - TSBCL2010-12
19	56381491	1	PLATE DRIVER	
20	56383375	2	FLEX PLATE ASSY 28	NOTE 1 - TSBCL2010-12
21	30670A	2	Distanzstück Nylon	
22	30671A	2	Distanzstück Nylon	
23	30680A	1	Schlauch FLEX flexibel	
24	56390072	1	Motor 24V	
24	56390072	1	Motor 24V	NOTE 3
24	56412287	1	Kohlenbürstenset m. Federkompl. BA 755/8 kpl. f. 1 Motor	
24	56412287	1	Kohlenbürstenset m. Federkompl. BA 755/8 kpl. f. 1 Motor	
25	50248A	1	CLAMP, 3/8 HOSE	
26	50736A	1	Ball bearing (obs-18)	
27	56382991	1	KIT-ISOLATOR BOOST HD	NOTE 1 - TSBCL2010-12
29	61425A	1	RETAINER BUMPER	
30	61724A	1	RETAINER ECCENTRIC	
31	56381724	1	PLATE WELDT BOOST 28	
32	61733B	2	Halterung Bürstenkopf BOOST	
33	61753B	1	ECCENTRIC BOOST	NOTE 2
34	61775A	1	Lagerhalterung	
35	61782A	4	SLEEVE GUIDE WHEEL	
36	56381532	2	STUD STABILIZER SHORT	TSB-CL 2011-0010 BOOST decknoise
37	61935A	1	ARM-LIFT-A	
38	61936A	1	ARM-LIFT-B	
39	61938A	1	GUARD FRONT	
40	80054A	2	SCREW M10 X 40MM	

NOTE 1: Customers ordering parts for machines built before April 2010 need to order 28" Flex Plate Kit 56380210 to replace any or all of these items for repair.

NOTE 2: Order Eccentric & Shield Kit 56380246 to replace these components.

Brush Head Assembly Boost 8

SCRUBTEC 8, 866-871-871C-886

06-11-2014

ET-Liste-Nr.
SCRUB827

32

Pos	Artikelnr.	Me	Beschreibung
41	80103A	2	SCREW 3/8-24 X 1 HEX HEAD
42	80162A	4	NUT M10-1.5 HEX
43	56002155	1	SCR HEX 1/4-20 X .75 nicht mehr lieferbar
44	80296A	5	SCREW 10-24 X 3/8 PHCR TYPE 23
45	80298A	2	Sechskantkopfschraube 1/4 20 x 2
46	80317A	4	WASHER BOWED .455 ID X .740 OD
47	81217A	13	NUT, 1/4-20 X .218H NYLOCK NYLOCK
48	88619A	1	Schraube M12
49	56381989	4	BOLT-SHOULDER
50	84237A	3	Screw, 10-32 X 1/2 Pan HD SS 10-32 X 1/2 HD SS
51	85301A	4	SCR 1/4 -20X1&1/4 PN*SS MACH PN SS MACH
52	85395A	3	Schraube Flachkopf 1/4-20X 1/2 X 1/2
53	87607A	4	WASHER,FLT,1,25X,52X,06 NYLON Nylon
54	88612A	2	WASHER M10 LOCK
55	56381702	1	LABEL BOOST
56	81220A	1	NUTHEX SERRATED FLANGE1/4-20
57	71017A	2	Aufkleber,bewegliche Teile

NOTE 1: Customers ordering parts for machines built before April 2010 need to order 28" Flex Plate Kit 56380210 to replace any or all of these items for repair.

NOTE 2: Order Eccentric & Shield Kit 56380246 to replace these components.

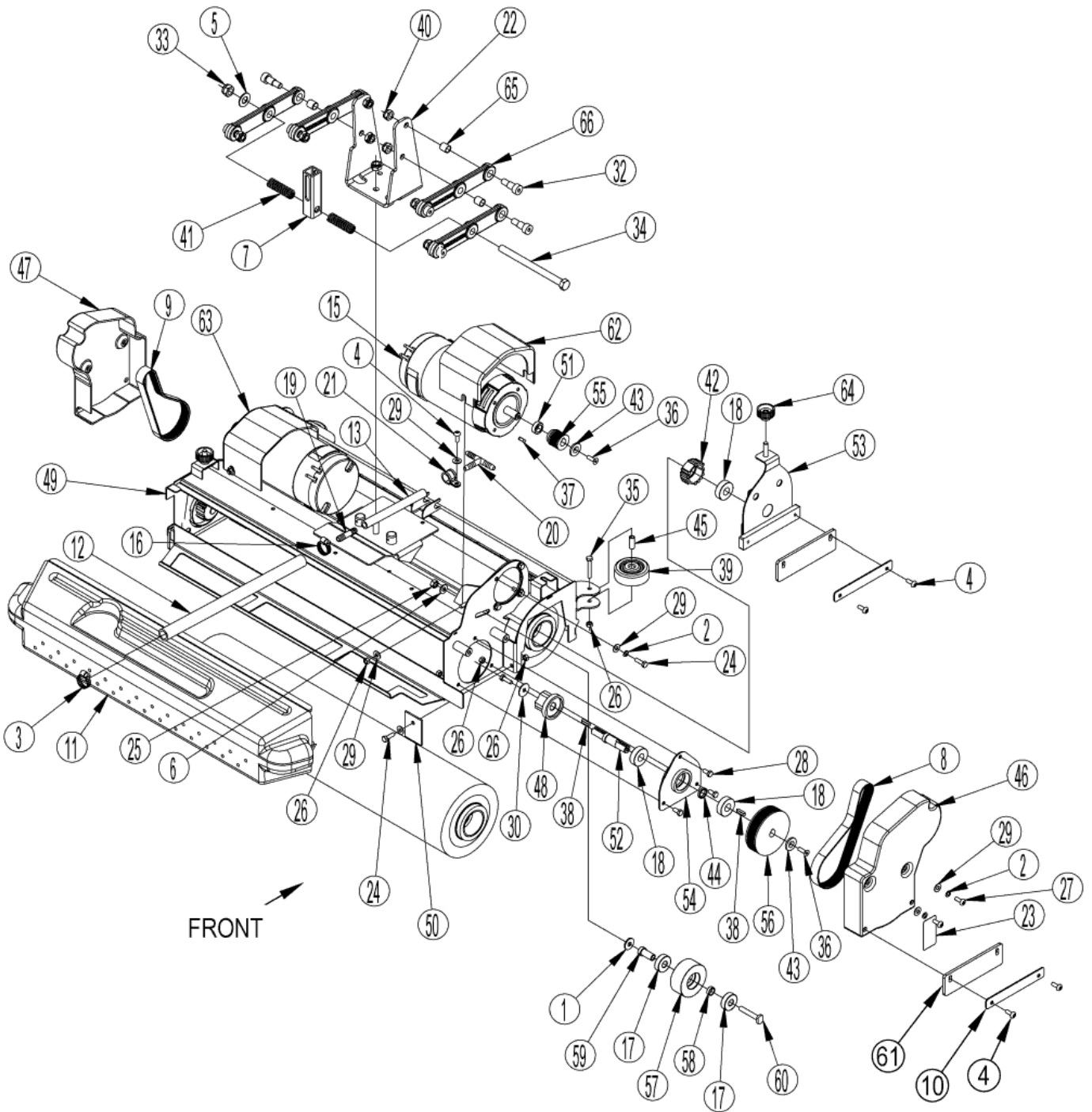
Brush Head Assembly, 871 C

SCRUBTEC 8, 866-871-871C-886

06-11-2014

ET-Liste-Nr.
SCRUB829

33



Brush Head Assembly, 871 C

SCRUBTEC 8, 866-871-871C-886

06-11-2014

ET-Liste-Nr.
SCRUB829

34

Pos	Artikelnr.	Me	Beschreibung
1	170860	2	WASHER FLT 5/16 PLTD
2	170892	12	WASHER,LK 1/4 REG(SS) 1/4 REG (SS)
3	722030	1	Clamp, Hose #6
4	964007	9	SCREW M6X16 PN ST PH
5	980648	1	WASH-17/32 ID X 1&1/16 OD 1&1/16 Außen-Ø PLN
6	980651	2	WASHER, 5/16 SAE FLAT
7	56109717	1	TUBE JACK MOTOR
8	909 5760 000	1	Keilriemen
9	909 5761 000	1	Keilriemen
10	909 5769 000	4	Platte f. Spritzschutz
11	909 6225 000	1	Grobschmutzbehälter BR751
12	30680A	1	Schlauch FLEX flexibel
13	30835A	1	HOSE
14	40645A	4	Gehäuse mit Flachstecker US schwarz K US schwarz Ku
15	41086A	2	Bürstomotor für Walzen- bürsteneinheit
16	50248A	1	CLAMP, 3/8 HOSE
17	51126A	4	Lager nicht mehr lieferbar
18	51225A	6	Lager 6202 2RS
19	52414A	1	Connector hose-tank
20	53181A	1	HOSEBARB3/8TPLASTIC
21	54779A	1	CLAMP P 5/8
22	61926A	1	Kopfhalterung f. Anheber
23	71017A	2	Aufkleber,bewegliche Teile
24	80195A	12	SCREW M6-1 X 20MM H.H. S.S.
25	80198A	2	Mutter M8 ISO 10511 selbstsichernd
26	80199A	15	NUT M6-1 HEX NYLON LOCK S.S.
27	80208A	4	Schraube M6x1,0 x 10mm
28	80214A	6	SCREW M6-1 X 12 HEX HD. C.S.
29	87026A	19	Scheibe .250 V VA
30	87039A	2	Scheibe 1/4" V
32	88617A	8	Schraube M10
33	88618A	1	Mutter M12
34	88619A	1	Schraube M12
35	88626A	2	SCREW M6-1 X 40MM HEX
36	88642A	4	SCREW M6-1X20MM FLAT HD SOCKET
37	88645A	2	KEY SQUARE M5 X 15MM
38	88646A	4	Vierkantkeil M5x20mm
39	L08602460	2	RAD
40	80223A	9	NUT M10-1.5 NYLOCK
41	E04016	2	SPRING
42	56407551	2	Bürstenklaue zu BR 850/C
43	145 5828 000	4	Distanzstück
44	146 1232 000	2	Distanzscheibe 15x20x4

Brush Head Assembly, 871 C

SCRUBTEC 8, 866-871-871C-886

06-11-2014

ET-Liste-Nr.
SCRUB829

35

Pos	Artikelnr.	Me	Beschreibung
45	909 5710 000	2	Hülse 6.5x9.5x24
46	909 5724 000	1	Riemenabdeckung REBA 750 S rechts
47	909 5725 000	1	Riemenabdeckung BA 750 SC
48	909 5728 000	2	HUB BRUSH
49	909 5751 000	1	FRAME CYLINDRICAL DECK 750
50	909 5752 000	2	Deckgummi BA 750 SC
51	909 5754 000	2	Abstandshalter
52	909 5755 000	2	Welle
53	909 5756 000	2	Bürstenaufnahme
54	909 5757 000	2	Halterung
55	909 5758 000	2	Ritzel
56	909 6361 000	2	PULLEY KIT
57	909 5762 000	2	ROLLER BELT TENSIONER
58	909 5764 000	2	SPACER 12.5X16X 6
59	909 5765 000	2	BUSHING COLLARED
60	909 5766 000	2	PIN
61	909 5770 000	4	Spritzgummi BA 600SC
62	909 5802 000	1	Motorabdeckung BR 751
63	909 5803 000	1	Motorschutzgehäuse
64	909 5964 000	2	Stellschraube
65	56112548	8	BUSHING
66	56382618	4	Hebelkit

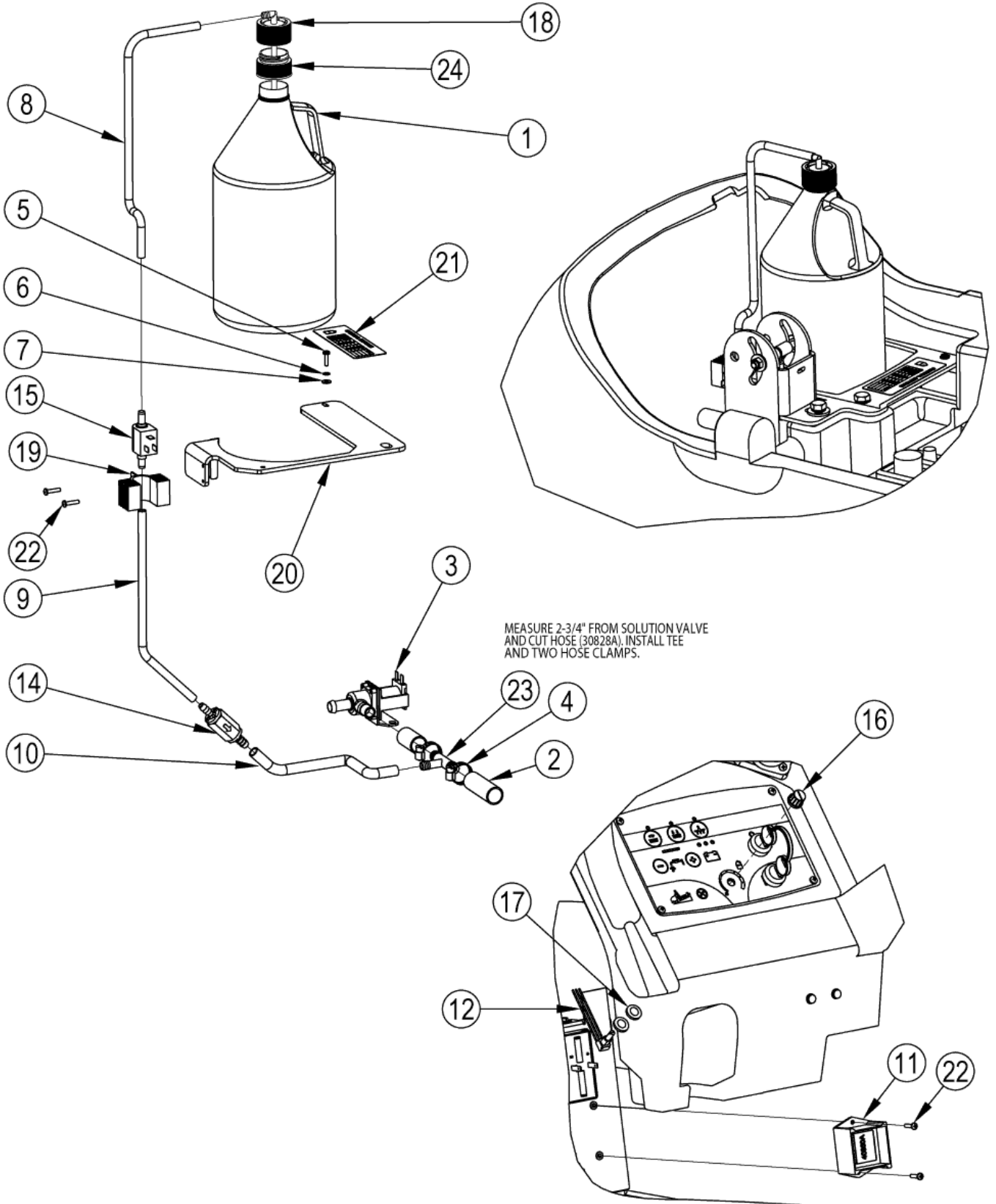
Chemical Mixing Kit

SCRUBTEC 8, 866-871-871C-886

06-11-2014

ET-Liste-Nr.
SCRUB831

36



Chemical Mixing Kit

SCRUBTEC 8, 866-871-871C-886

06-11-2014

ET-Liste-Nr.
SCRUB831

37

Pos	Artikelnr.	Me	Beschreibung	
1		1	NOTE COMMENT	Bottle not available, use bottle from chemical sup
2		1	NOTE COMMENT	See frame assembly
3		1	NOTE COMMENT	See frame assembly
4	722030	2	Clamp, Hose #6	
5	964002	1	SCR M 4.0X0.7 X 16 PN*ST PN ST	
6	980621	1	WASHER 8 EXT. TOOTH PLTD	
7	980982	1	WASHER, #10 SAE FLAT PLTD metallüberzogen	
8	39725A	1	Rohr 1/4IN ID X 15 1/4IN	
9	39726A	1	Rohr 1/4 ID X 5 1/2	
10	39727A	1	TUBE 3/8 ID X 11 1/2	
11	40850A	1	Modul	
12	41084A	1	BEFESTIGUNG CHEMEDOSIERUNG	
13	53186A	10	WIRE TIE 1/8 X 14.5 BLK	Not Shown
14	53719A	1	Absperrventil	
15	53721A	1	PUMP CHEMICAL	
16	53736A	1	Einstellknopf	
17	87618A	2	WASHER,FLT.,.75X.39X.62 NYLON Nylon	
18	54778A	1	Abdeckkappe f. Adapter, 38 mm	
19	61772A	1	Halter Reinigungs- mittelpumpe	
20	61954B	1	CHEMICAL JUG BRACKET	
21	71489A	1	Aufkleber Chemical Settin	
22	962027	4	SCREW, 8-32 X 1/2 PAN HD 8-32 X 1/2	
23	88644A	1	TEE REDUCING 1/2 TO 3/8	
24	9097023000	1	Adapter f. Chemie Tank	

EMPFOHLENE ERSATZTEILE

SCRUBTEC 8, 866-871-871C-886

06-11-2014

ET-Liste-Nr.
SCRUB851

38

Keine Zeichnung zur ET-Liste

EMPFOHLENE ERSATZTEILE

SCRUBTEC 8, 866-871-871C-886

06-11-2014

ET-Liste-Nr.
SCRUB8851

39

Pos	Artikelnr.	Me	Beschreibung	
0	10398A	1	SQUEEGEE ASSY 32.5	866
0	10399A	1	SQUEEGEE ASSY 35	871, 8, 878 C
0	10748A	1	Saugf uß kpl. 42	886
0	11131A	1	Steuereinheit	
0		1	ISOLATOR UPPER KIT	Boost 8
0	146 2888 000	1	Schlüsselschalter Kappe	
0	30412A	1	Saugschlauch "VISION"	866, 871, 886
0	30680A	1	Schlauch FLEX flexibel	871 C
0	30792A	1	HOSE SOLUTION	
0	30799A	1	HOSE DRAIN	
0	30832A	1	HOSE SQUEEGEE	
0	34400B	1	Kardankupplung fuer Treibteller "ENCOR Kardankupplung fuer Treib	
0	39718A	1	Dicht. Schmutzwasserddecke wassertankdeckel	
0	40002A	1	Schwimmerschalter elektrisch sch	
0	40261A	1	Kohlebürste f. Bürstmotor	886
0	40628A	1	Kohlebürste	
0		1	Kabelbaum POTENTIOMETER ASM	
0	40826A	1	Brush ASM. Carbon (V32I/26	866, 871
0	41046A	1	Bürstmotor	886
0	41067A	1	Platine	
0	41068B	1	Steuergerät	
0	41069B	1	RELAY IDRIVE TRAVERSE	
0	41073A	1	Sicherung 30A Saugmotor	
0	41074A	1	Sicherung 60A	
0	41075A	1	Relais	
0		1	Ladekabel	
0	41086A	1	Bürstmotor für Walzen- bürsteneinheit	872 C
0	41422B	1	Circuit breaker,25a 90 Grad	878 C
0	41431B	1	Schutzschalter 35A thermisch sch	866, 871, 886, 8
0	44809B	1	Getriebemotor 24VDC 200/min Bürstenantr in Bürstenantr.	
0	50736A	1	Ball bearing (obs-18)	Boost 8
0		1	Motor	
0	51225A	1	Lager 6202 2RS	873 C
0	52556A	1	Tastschalter 36V "ENCORE 17" 36V	
0		1	FLANGE <(>&<)> WHEEL KIT	
0	56380235	1	Isolator Kit	Boost 8
0	56381491	1	PLATE DRIVER	Boost 8
0	56382501	1	FUNCTION BOARD SERVICE KIT	
0	56383375	1	FLEX PLATE ASSY 28	Boost 8
0	56383379	1	KIT FLEX PLATE 32	
0	56383385	1	CORD CHARGER YELLOW US	
0	56390072	1	Motor 24V	Boost 8
0	56412179	1	CONTACTOR 24 VDC (f.BR700)	

9097621000 WHEEL REAR CASTOR KIT WILL SOON REPLACED THE SINGLE WHEEL 909 5202 000

EMPFOHLENE ERSATZTEILE

SCRUBTEC 8, 866-871-871C-886

06-11-2014

ET-Liste-Nr.
SCRUB881

40

Pos	Artikelnr.	Me	Beschreibung	
0	56412287	1	Kohlenbürstenset m. Federkompl. BA 755/8 kpl. f. 1 Motor	
0	58069A	1	Filter fuer Vacuumrohr "ENCORE 20" ENCORE 20"	
0	59789A	1	VALVE, ELECTRIC (KIT #14669A) wasser (Kit Nr. 14669A)	
0	61775A	1	Lagerhalterung	Boost 8
0	909 5760 000	1	Keilriemen	875 C
0	909 5761 000	1	Keilriemen	876 C
0	909 5770 000	1	Spritzgummi BA 600SC	877 C
0	9097466000	1	Vakuummotor Kit	
0	9097621000	1	Hinterrad Kit schwenkbarBA 851	
0	9099679000	1	Ladegerät 24V 25A	
0	910000362	1	FILTER WATER	
0	910000680	1	ACTUATOR LINEAR 24V DC STRK 100MM PKD	

Zubehör 1

SCRUBTEC 8, 866-871-871C-886

06-11-2014

ET-Liste-Nr.
SCRUB853

41

Keine Zeichnung zur ET-Liste

Zubehör 1

SCRUBTEC 8, 866-871-871C-886

06-11-2014

ET-Liste-Nr.
SCRUB8853

42

Pos	Artikelnr.	Me	Beschreibung	
0	80542425	1	LG HF 24V 25A SB120R Ladegerät	
0	9097597000	1	Batterieladegerät CPL KIT 24V 25A	
2	11363A	1	Reinigungsmittel-Mischsystem Kit mischsystem	
3	11371A	1	Betriebsstundenzähler 24V	
4	56112221	1	Parkbremse	
5	14607A	1	KIT, CLARKE CARE	
6	53391A	1	BTY MAINT. SYSTEM KIT 24 V	
7	10398A	1	SQUEEGEE ASSY 32.5	
8	10399A	1	SQUEEGEE ASSY 35	
9	10748A	1	Saugfuß kpl. 42	
10	997002	1	PAD WHITE 14X28 5-PK 5er Pack	SCRUBTEC BOOST 8
11	997001	1	PAD RED 14X28 5-PK 5er Pack	SCRUBTEC BOOST 8
12	997006	1	PAD BLUE 14 X 28 5 PK 4er Pack	SCRUBTEC BOOST 8
13	997018	1	PAD-MAROON-14X28-10/CS	SCRUBTEC BOOST 8
14	997000	1	Pad schwarz 14 x 28, 5er Pack	SCRUBTEC BOOST 8
17	56383924	1	PAD-BRUSH-GREEN-14X28-4/CS	SCRUBTEC BOOST 8
18	30794A	1	2.seitiger Klettverschluss Klettverschluss	SCRUBTEC BOOST 8
19	11332A	1	SQUEEGEE BLADE KIT	SCRUBTEC BOOST 8
20	11338A	1	Sauglippen Set Linatex	SCRUBTEC BOOST 8
21	11335A	1	Sauglippen Set Gummi	SCRUBTEC BOOST 8
22	38035A	1	DRIVER PAD 13 GIMBAL	SCRUBTEC BOOST 866
23	11438A	1	Bürste, Schrub- Standard 13" - EncoreB PP	SCRUBTEC BOOST 866
24	11437A	1	Buerste, Schrub- weich Nylon 13" ø330 Nylon	SCRUBTEC BOOST 866
25	10382A	1	Bürste 13" LITE GRIT Light Grit	SCRUBTEC BOOST 866
26	11439A	1	Buerste, Schleifkorn- 13" ø330 Clean Grit	SCRUBTEC BOOST 866
27	11440A	1	Buerste, Schleifkorn Supergrit 13" ø33 Super Grit	SCRUBTEC BOOST 866
28	11333A	1	SQUEEGEE BLADE KIT 32.5IN URETHANE	SCRUBTEC BOOST 866
29	11339A	1	SQUEEGEE BLADE KIT 32.5IN LINATEX	SCRUBTEC BOOST 866
30	11336A	1	Sauglippen Set Gummi	SCRUBTEC BOOST 866

Zubehör 2

SCRUBTEC 8, 866-871-871C-886

06-11-2014

ET-Liste-Nr.
SCRUB855

43

Keine Zeichnung zur ET-Liste

Zubehör 2

SCRUBTEC 8, 866-871-871C-886

06-11-2014

ET-Liste-Nr.
SCRUB886

44

Pos	Artikelnr.	Me	Beschreibung	
1	38036A	1	Treibteller 14"	SCRUBTEC BOOST 871
2	11427B	1	Buerste, Schrubb- Standard 14" - ENCOR PP	SCRUBTEC BOOST 871
3	10874A	1	Bürste ø28" Nylon Nylon	SCRUBTEC BOOST 871
4	10383A	1	nicht mehr lieferbar Schleif kombürste Ø355 mm	SCRUBTEC BOOST 871
5	11431B	1	Buerste, Schleifkorn- 14" - ENCORE Clean Grit	SCRUBTEC BOOST 871
6	11426B	1	Buerste, Schleifkorn Supergrit 14" - E Super Grit	SCRUBTEC BOOST 871
7	56383920	1	PAD-BRUSH-GREEN-14-4/CS	SCRUBTEC BOOST 871
10	38034A	1	DRIVER PAD 17IN GIMBAL	SCRUBTEC BOOST 886
11	11424B	1	Buerste, Schrubb- Standard 17" - ENCOR PP	SCRUBTEC BOOST 886
12	10875A	1	Bürste Nylon	SCRUBTEC BOOST 886
13	10384A	1	Bürste 17" LITE GRIT Light Grit	SCRUBTEC BOOST 886
14	11430B	1	Buerste, Schleifkorn- 17" - ENCORE Clean Grit	SCRUBTEC BOOST 886
15	11425B	1	Buerste, Schleifkorn Supergrit 17" - E Super Grit	SCRUBTEC BOOST 886
20	56412046	1	BÜRSTE POLYPROPYLENE 28"-RED (Rot) 690 mm	SCRUBTEC BOOST 871C
21	56412191	1	BÜRSTE SOFT NYLON 28"-YELLOW- (Gelb) 690 mm	SCRUBTEC BOOST 871C
22	56412192	1	BÜRSTE HART NYLON 28"-NATURAL (Natural) 690 mm	SCRUBTEC BOOST 871C
23	56412193	1	BÜRSTE 180 GRIT 28"-BLUE/GREY 180 (Blau/grau) 690 mm	SCRUBTEC BOOST 871C
24	56412194	1	BÜRSTE 80 GRIT 28"-BLACK 80 (Schwarz) 690 mm	SCRUBTEC BOOST 871C
25	56412195	1	BÜRSTE 46 GRIT 28"-ORANG/BROWN 46 (Orange/Braun) 690 mm	SCRUBTEC BOOST 871C
30	11332A	1	SQUEEGEE BLADE KIT	35" Squeegee Blades
31	11338A	1	Sauglippen Set Linatex	35" Squeegee Blades
32	11335A	1	Sauglippen Set Gummi	35" Squeegee Blades
40	11331A	1	SQUEEGEE BLADE KIT 41URETHANE	41" Squeegee Blades
41	11337A	1	Sauglippen Set Linatex	41" Squeegee Blades
42	11334A	1	Sauglippen Set Gummi	41" Squeegee Blades

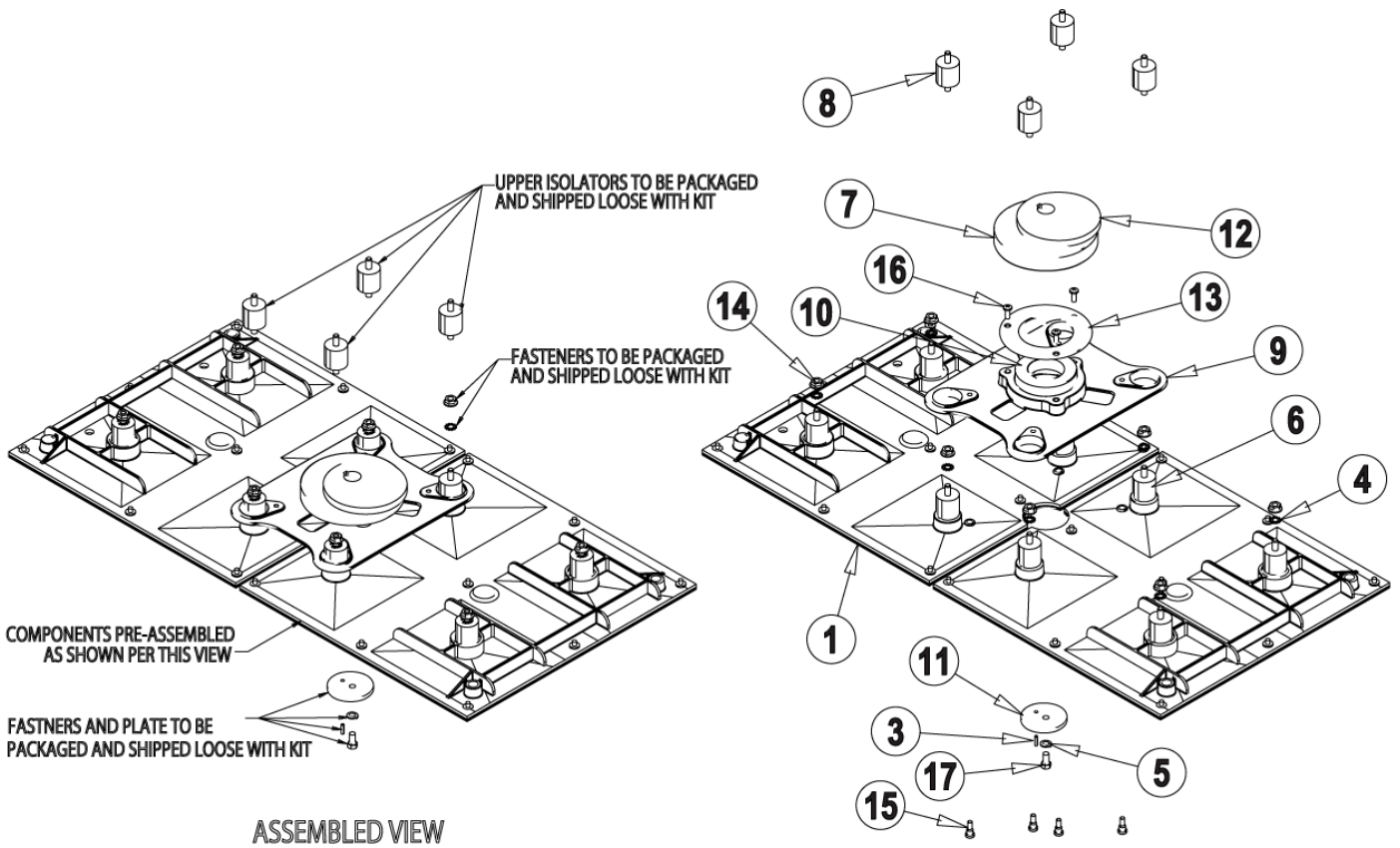
56380210/56380211 - Flex Plate 28/32 Kit

SCRUBTEC 8, 866-871-871C-886

06-11-2014

ET-Liste-Nr.
IS56090041

45



56380210/56380211 - Flex Plate 28/32 Kit

SCRUBTEC 8, 866-871-871C-886

06-11-2014

ET-Liste-Nr.
IS56090041

46

Pos	Artikelnr.	Me	Beschreibung	
0	56380210	2	Flexplattensatz	
0	56383379	1	KIT FLEX PLATE 32	
1	56383375	1	FLEX PLATE ASSY 28	
1	56383376	1	FLEX PLATE ASSY 32	
2		1	NOTE COMMENT	Loctite 242 Compound Blue 0.5
3	925589	1	1/8 X 1/2 PIN ROLL	
4	980614	8	WASHER,LK 1/4 EXT TOOTH(PLTD)	
5	980657	1	WASHER,LK 1/4 STD	
6	56380190	8	ISOLATOR-30 DURO 1/4-20	
7	56380192	1	Lagerschild	
8		4	NOTE COMMENT	Isolator-40 Duro 1/4-20
9	56381491	1	PLATE DRIVER	
10	50736A	1	Ball bearing (obs-18)	
11	61724A	1	RETAINER ECCENTRIC	
12		1	NOTE COMMENT	Eccentric
13	61775A	1	Lagerhalterung	
14	81220A	8	NUTHEX SERRATED FLANGE1/4-20	
15	56381989	1	BOLT-SHOULDER	
16	84237A	3	Screw, 10-32 X 1/2 Pan HD SS 10-32 X 1/2 HD SS	
17	85737A	1	SCREW,1/4-20 X 5/8 HEX HD SS 1/4-20 X 5/8	
K1	56380246	1	Exzenterscheibe	Includes pos. 3, 7, 12
K2	56380235	1	Isolator Kit	Includes pos. 2, 4, 6, 8, 14

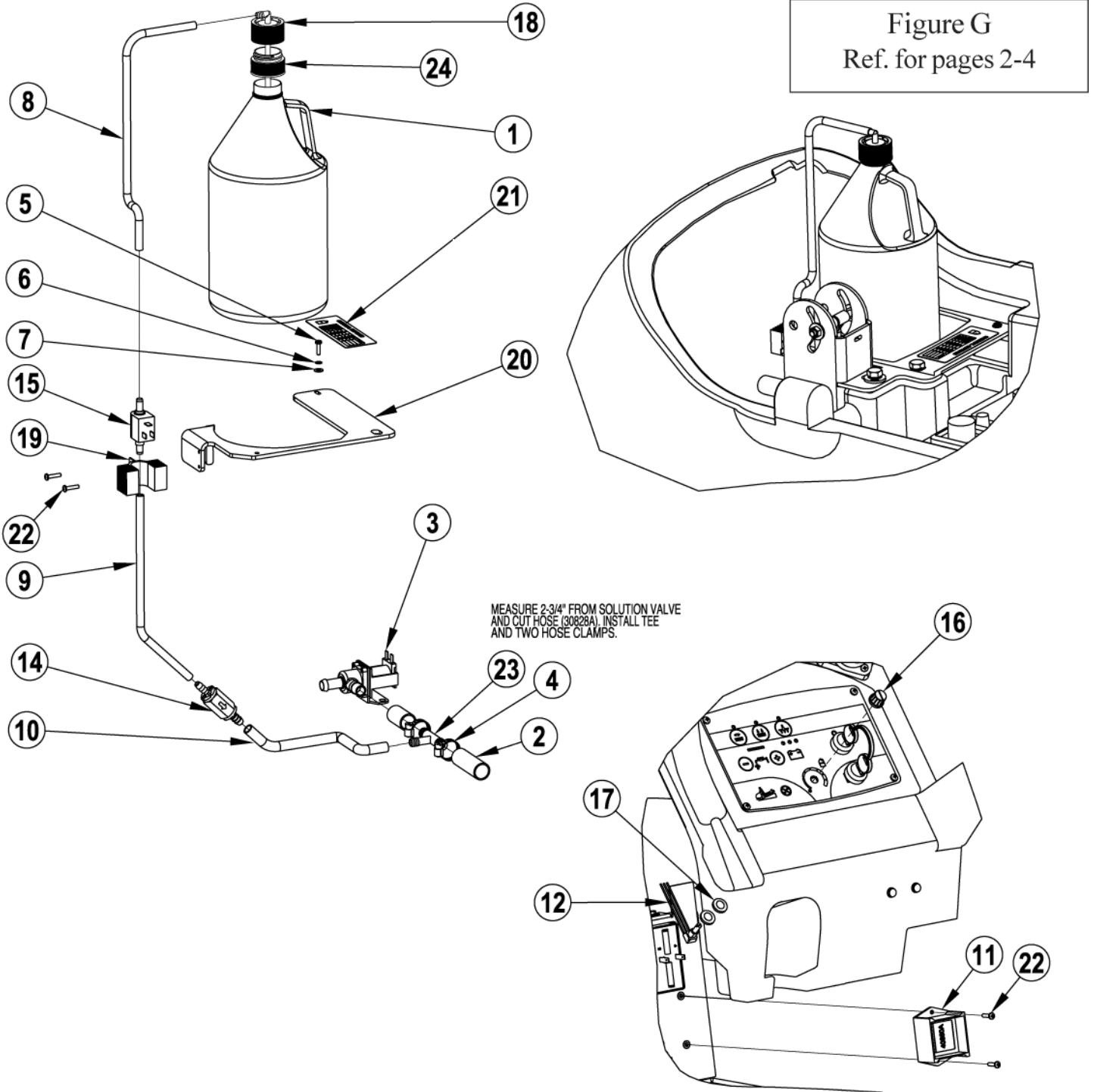
11363A - Chemical Mixing System

SCRUBTEC 8, 866-871-871C-886

06-11-2014

ET-Liste-Nr. IS71490A

47



11363A - Chemical Mixing System

SCRUBTEC 8, 866-871-871C-886

06-11-2014

ET-Liste-Nr. IS71490A

48

Pos	Artikelnr.	Me	Beschreibung	
0	11363A	1	Reinigungsmittel-Mischsystem Kit mischsystem	
1		1	NOTE COMMENT	REF. CLEANING SOLUTION BOTTLE
2		1	NOTE COMMENT	REF. FROM FRAME ASM.
3		1	NOTE COMMENT	REF. VALVE FROM FRAME ASM.
4	722030	2	Clamp, Hose #6	
5	964002	1	SCR M 4.0X0.7 X 16 PN*ST PN ST	
6	980621	1	WASHER 8 EXT. TOOTH PLTD	
7	980982	1	WASHER, #10 SAE FLAT PLTD metallüberzogen	
8	39725A	1	Rohr 1/4IN ID X 15 1/4IN	
9	39726A	1	Rohr 1/4 ID X 5 1/2	
10	39727A	1	TUBE 3/8 ID X 11 1/2	
11	40850A	1	Modul	
12	41084A	1	BEFESTIGUNG CHEMIEDOSIERUNG	
13	53186A	10	WIRE TIE 1/8 X 14.5 BLK	NOT ILLUSTRATED
14	53719A	1	Absperrventil	
15	53721A	1	PUMP CHEMICAL	
16	53736A	1	Einstellknopf	
17	87618A	2	WASHER,FLT,.75X.39X.62 NYLON Nylon	
18	54778A	1	Abdeckkappe f. Adapter, 38 mm	
19	61772A	1	Halter Reinigungs- mittelpumpe	
20	61954B	1	CHEMICAL JUG BRACKET	
21	71489A	1	Aufkleber Chemical Settin	
22	85614A	4	SCREW8-32X3/4 PAN HD	
23	88644A	1	TEE REDUCING 1/2 TO 3/8	
24	9097023000	1	Adapter f. Chemie Tank	FOR SUTTER BOX

56383395 POWER CORD BRACKET KIT EU/L

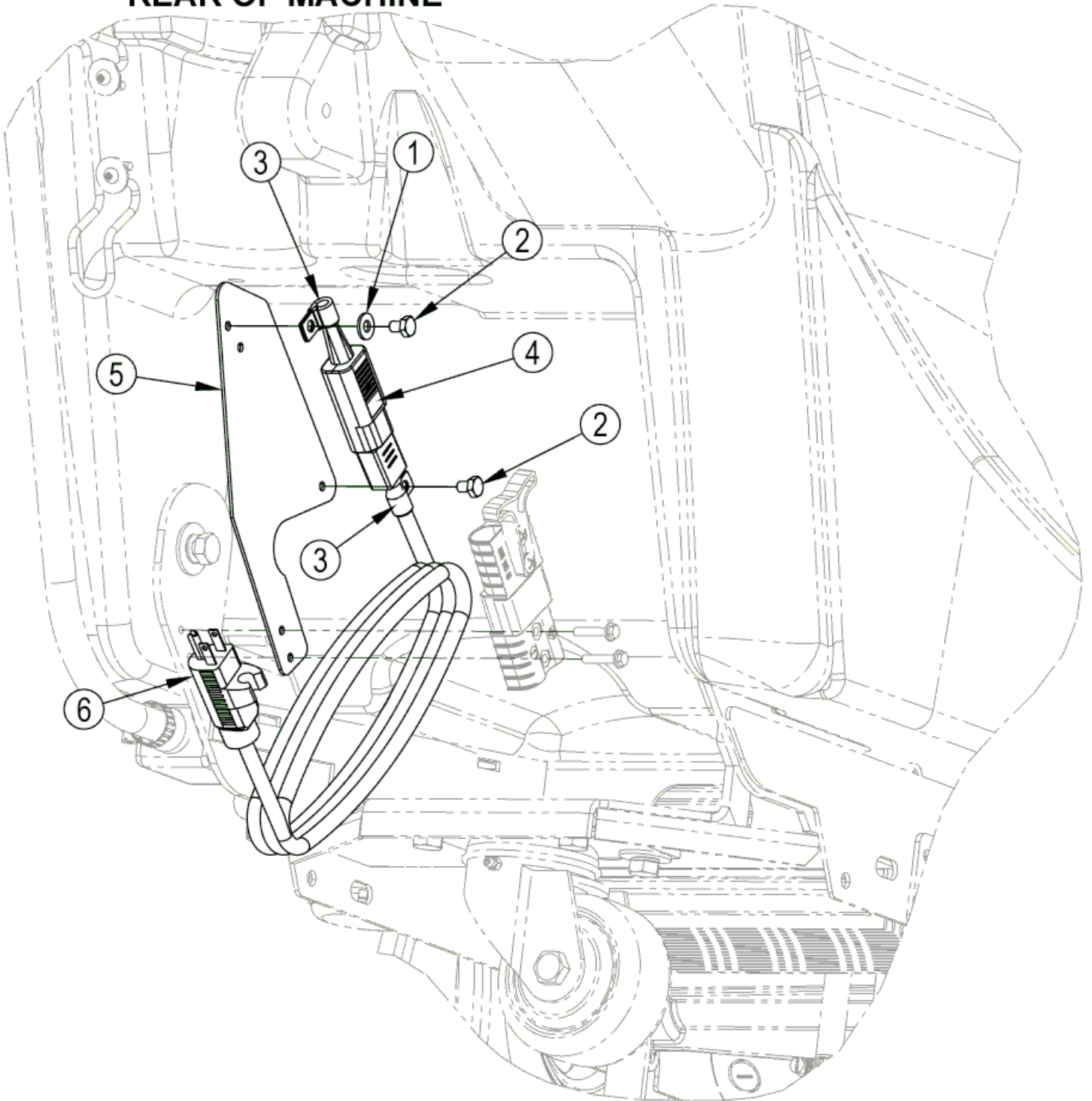
SCRUBTEC 8, 866-871-871C-886

06-11-2014

ET-Liste-Nr.
SCRUB857

49

REAR OF MACHINE



56383395 POWER CORD BRACKET KIT EU/U

SCRUBTEC 8, 866-871-871C-886

06-11-2014

ET-Liste-Nr.
SCRUB857

50

Pos	Artikelnr.	Me	Beschreibung
	56383395	1	POWER CORD BRACKET KIT EU/UK
1	56002098	1	Scheibe
2	56009019	2	Schraube 1/4-20x.38
3	56323260	2	Kabelbriede zu BR 1000
4	56383391	1	PLUG IEC 60320 SHEET E
6	56383385	1	CORD CHARGER YELLOW US
6	56383388	1	CORD-CHARGER EUROPE
6	56383389	1	CORD-CHARGER UK
7	56478523	3	Kabelbinder