

# E145.1

---

Model:

E 145.1-15

E 145.1-15 A X-TRA

E 145.1-15 S

E 145.1-15 S BASIC

E 145.1-15 S X-TRA

E 145.1-15 X-TRA



Part List US-English

24-02-2015

**Nilfisk**  
**ALTO**  
works for you

[www.nilfisk-alto.com](http://www.nilfisk-alto.com)

# Table of Contents

E145.1

|                            |          |
|----------------------------|----------|
| <b>Chassis 1</b>           | <b>3</b> |
| <b>Chassis 2</b>           | <b>5</b> |
| <b>Motor pump unit</b>     | <b>7</b> |
| <b>Default accessories</b> | <b>9</b> |

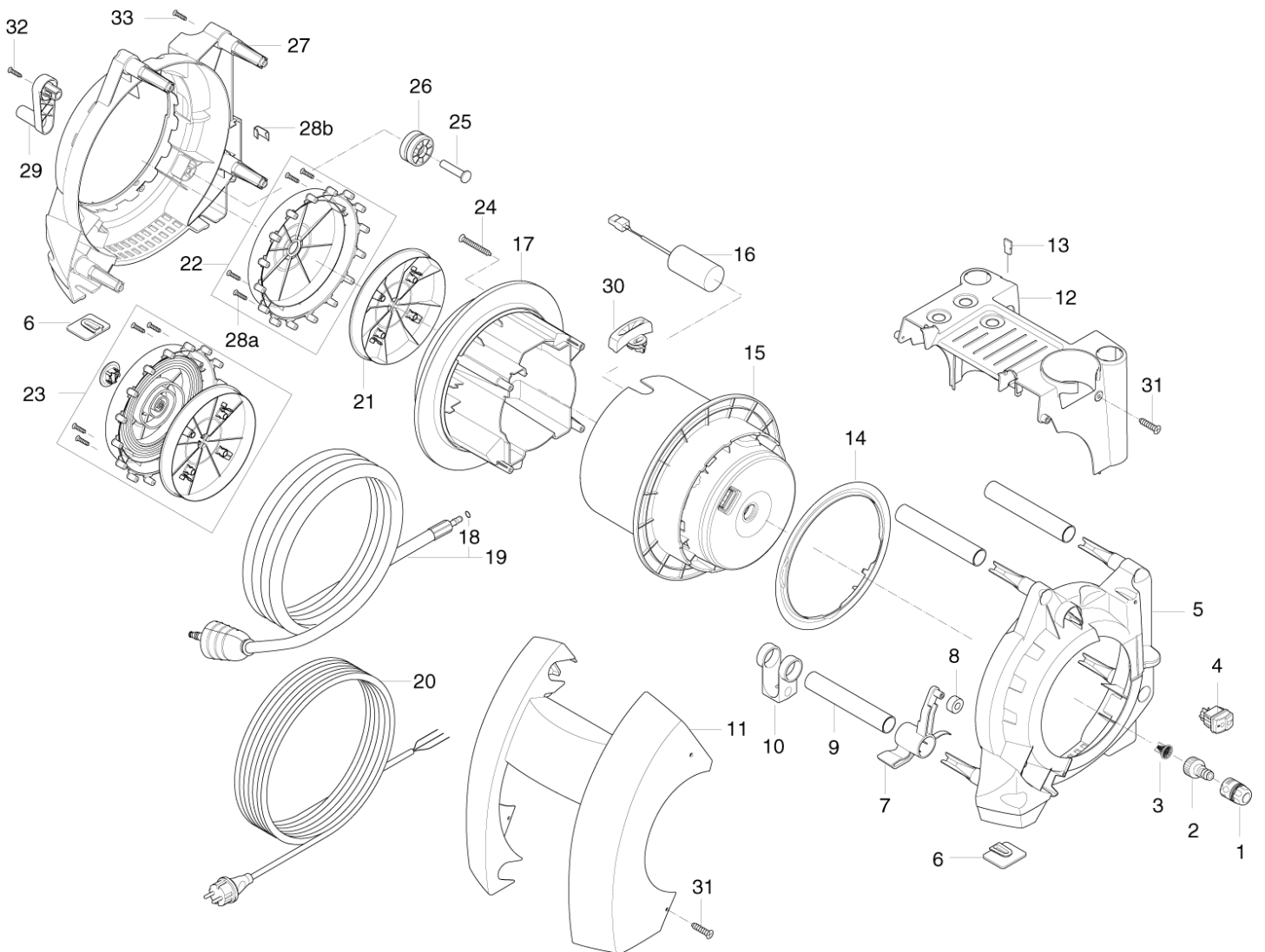
# Chassis 1

E145.1

24-02-2015

Part List ID  
E12503

3



# Chassis 1

E145.1

24-02-2015

Part List ID  
E12503

4

| Pos | Part no.  | Qty | Description                            |              |
|-----|-----------|-----|--|--------------|
| 1   | 1608629   | 1   | GARDENA COUPLING HOSE END 1/2 BULK     |              |
| 2   | 1402809   | 1   | QUICK COUPLING MALE W. INTERNAL THREAD |              |
| 3   | 6528574   | 1   | WATER FILTER COMPLETE                  |              |
| 4   | 61887     | 1   | ON/OFF SWITCH SIGNAL LUX               |              |
| 5   | 6526261   | 1   | SIDE CABINET                           |              |
| 6   | 6525580   | 4   | RUBBER FOOT                            |              |
| 7   | 6524713   | 1   | BRAKE ARM BLACK EXCELENT               |              |
| 8   | 6525578   | 1   | RUBBER ROLLER FOR ARM                  |              |
| 9   | 6525582   | 4   | TUBE                                   |              |
| 10  | 6524733   | 1   | ROLL-UP STOP                           |              |
| 11  | 6524660   | 1   | CABINET FRONT W.PRINT E135.1           | Only for 125 |
| 11  | 6524661   | 1   | CABINET FRONT 135                      | Only for 135 |
| 12  | 6524670   | 1   | CABINET TOP EXELLENT                   |              |
| 13  | 6520844   | 1   | CLEANING TOOL BLACK                    |              |
| 14  | 6524734   | 1   | COVER RING                             |              |
| 15  | 6526264   | 1   | MOTOR SHELL                            |              |
| 16  | 128307028 | 1   | KIT CAPACITOR 25UF 500V                |              |
| 17  | 6526263   | 1   | MOTOR SHELL                            |              |
| 18  | 3004304   | 1   | O-RING 5.1X1.6 VITON SH 90             |              |
| 18  | 6411221   | 1   | BAG W. 20 O-RINGS                      |              |
| 19  | 6525494   | 1   | HOSE COMPL. DN6X10M                    |              |
| 19  | 6525499   | 1   | HOSE COMPL.DN6X15M                     |              |
| 20  | 6524450   | 1   | POWER CORD W. PLUG 10M EU              |              |
| 20  | 6524451   | 1   | POWER CORD W. PLUG 15M EU              |              |
| 20  | 6524452   | 1   | POWER CORD 10M GB                      |              |
| 20  | 6524453   | 1   | POWER CORD W. PLUG 15M GB              |              |
| 20  | 6524454   | 1   | POWER CORD 10M AUS/NZ                  |              |
| 20  | 6524455   | 1   | POWER CORD 15M AUS/NZ                  |              |
| 20  | 6524456   | 1   | POWER CORD 15M CH                      |              |
| 21  | 6524735   | 1   | CASSETE INTERNAL MANUAL                |              |
| 22  | 6526262   | 1   | CASSETTE MAN.ROLL UP                   |              |
| 23  | 6526256   | 1   | SPRING IN CASSETTE WITH PLUG           |              |
| 24  | 1814733   | 4   | SCREW K50X50 TORX BLACK                |              |
| 25  | 6525583   | 1   | SMALL WHEEL AXLE                       |              |
| 26  | 6525576   | 1   | WHEEL INTERNAL                         |              |
| 27  | 6526260   | 1   | SIDE CABINET 1                         |              |
| 29  | 6524719   | 1   | HANDLE FOR HOSEREEL                    |              |
| 30  | 6525577   | 1   | CABLE LEAD-IN                          |              |
| 31  | 1814681   | 6   | SCREW K50X25 TORX                      |              |
| 32  | 1814745   | 1   | SCREW KB40X16 B                        |              |
| 33  | 121814757 | 4   | SCREW 4.8X25 A2 2HOLES IN HEAD         |              |
| 28A | 101814782 | 4   | SCREW K50X18 WN 1412 GALVANIZED        |              |
| 28B | 6525625   | 2   | CLIP                                   |              |

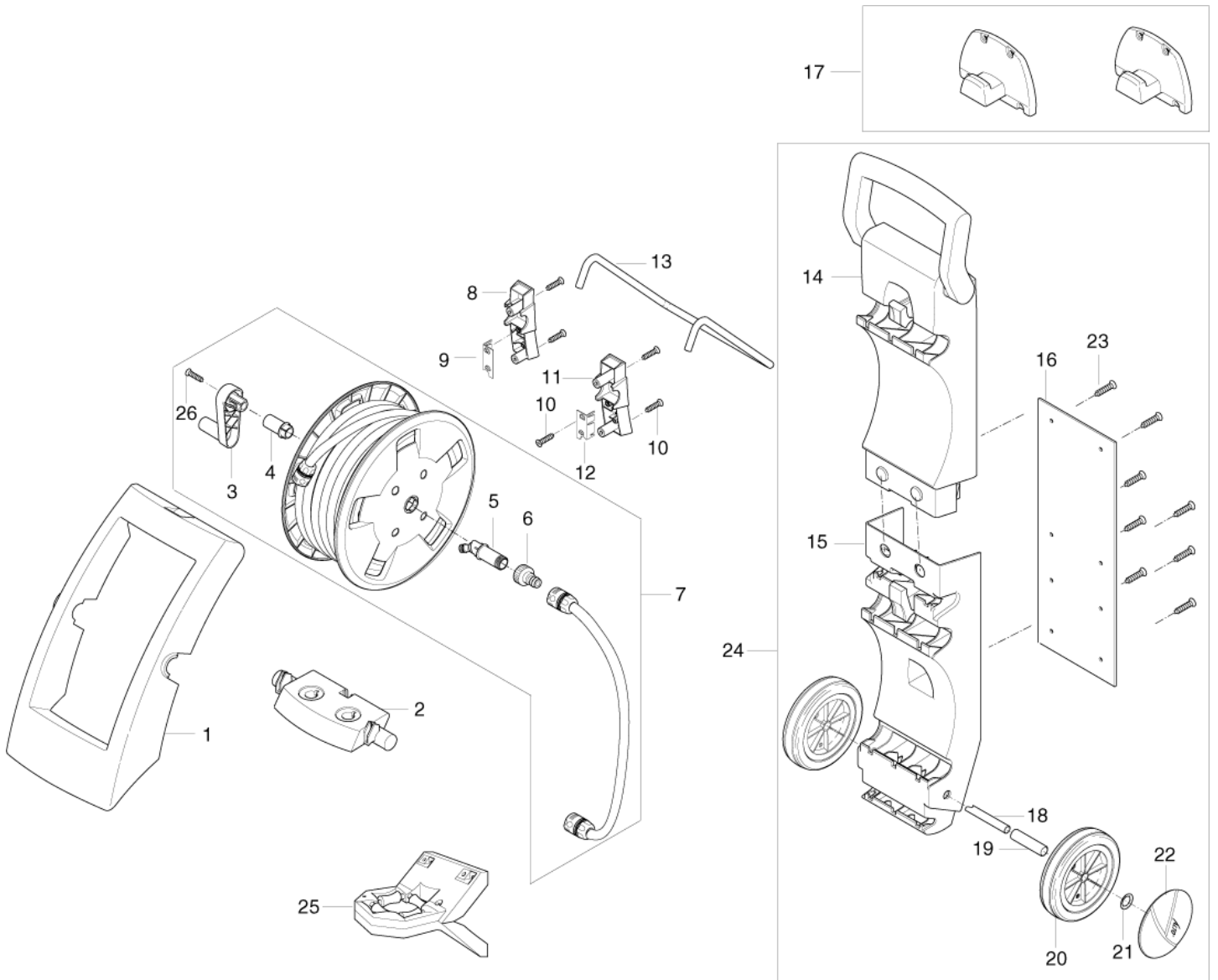
# Chassis 2

E145.1

24-02-2015

Part List ID  
E12505

5



# Chassis 2

E145.1

24-02-2015

Part List ID  
E12505

6

| Pos | Part no.  | Qty | Description                            |
|-----|-----------|-----|--|
| 1   | 6524720   | 1   | FRONT FOR TROLLEY                      |
| 2   | 6524732   | 1   | NOZZLE SUPPORT                         |
| 3   | 6524719   | 1   | HANDLE FOR HOSEREEL                    |
| 4   | 6524725   | 1   | ADAPTOR                                |
| 5   | 6524726   | 1   | ADAPTOR                                |
| 6   | 1402809   | 1   | QUICK COUPLING MALE W. INTERNAL THREAD |
| 7   | 106411343 | 1   | WATER HOSE REEL KIT                    |
| 8   | 6524728   | 1   | BEARING BRACKET LEFT                   |
| 9   | 6525627   | 1   | PLATE LEFT                             |
| 10  | 1814736   | 8   | SCREW KB50X18 WN1412                   |
| 11  | 6524727   | 1   | BEARING BRACKET RIGHT                  |
| 12  | 6525626   | 1   | PLATE RIGHT                            |
| 13  | 6525588   | 1   | BRACKET EXCELLENT                      |
| 14  | 6524729   | 1   | TROLLEY UPPER PART                     |
| 15  | 6524730   | 1   | TROLLEY LOWER PART                     |
| 16  | 6525587   | 1   | BACKING SHEET                          |
| 17  | 106411342 | 1   | STATIONARY KIT                         |
| 18  | 6525617   | 1   | AXLE EXCELLENT                         |
| 19  | 6525616   | 2   | SPACERPIPE EXCELLENT                   |
| 20  | 6526560   | 2   | WHEEL. Ø12. 5 HOLE                     |
| 21  | 1814243   | 2   | LOCK WASHER                            |
| 22  | 302000701 | 2   | WHEEL CAP D115 A                       |
| 23  | 121814753 | 8   | SCREW KB50X25 WN1411                   |
| 24  | 6526250   | 1   | TROLLEY EXCELLENT                      |
| 25  | 106411345 | 1   | CORNER PROTECTION                      |
| 26  | 1814745   | 1   | SCREW KB40X16 B                        |

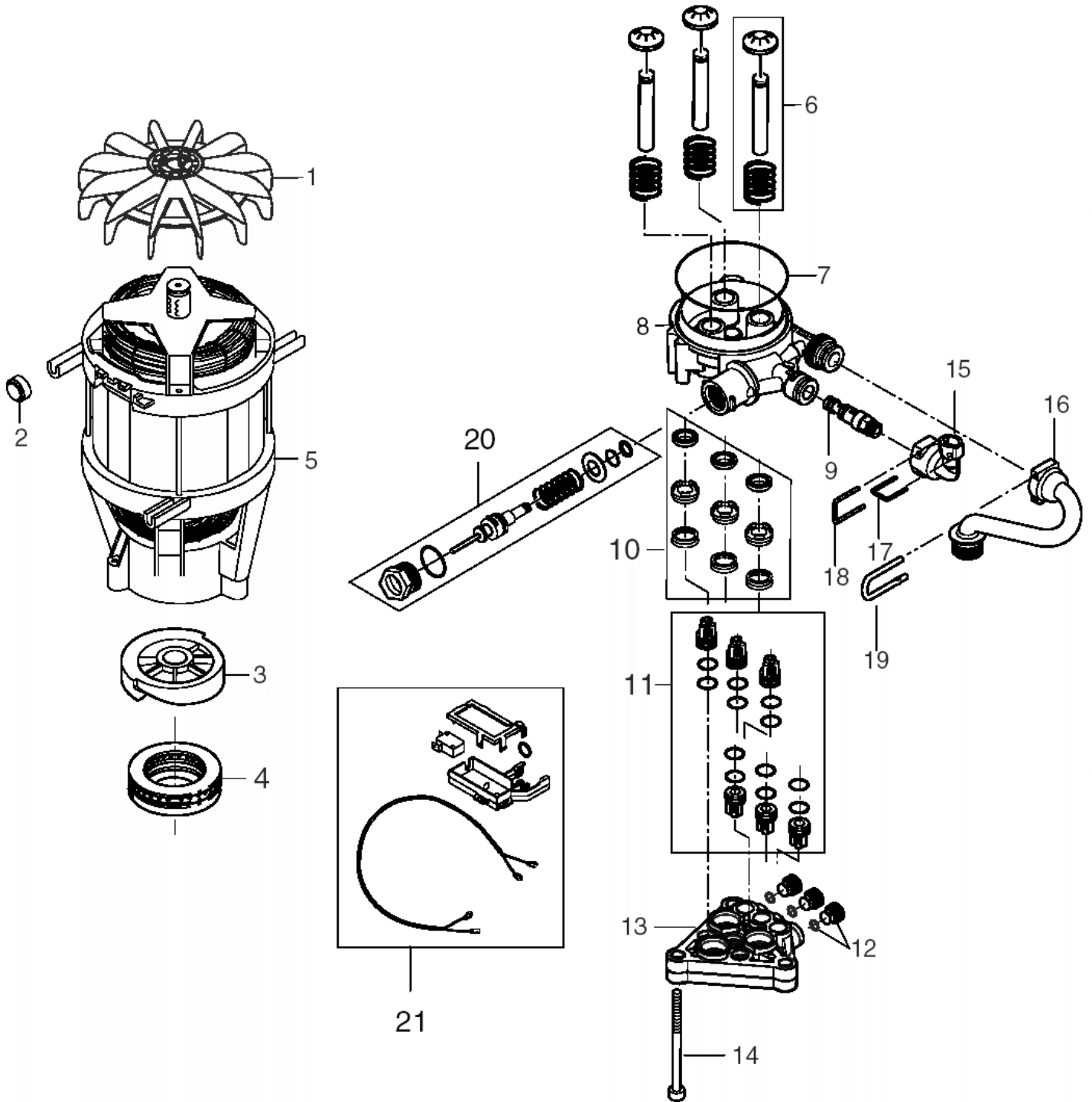
# Motor pump unit

E145.1

24-02-2015

Part List ID  
E12506

7



# Motor pump unit

E145.1

24-02-2015

Part List ID  
E12506

8

| Pos | Part no.  | Qty | Description                         |
|-----|-----------|-----|-------------------------------------|
| 0   | 5301425   | 1   | PUMP OIL 46 1X1 L                   |
| 1   | 6524042   | 1   | FAN P406                            |
| 2   | 128332334 | 4   | RACK FOR MOTOR                      |
| 3   | 6125126   | 1   | WOBBLE DISC MACHINED F              |
| 4   | 6122653   | 1   | BEARING REP.KIT                     |
| 5   | 6524014   | 1   | MOTOR 230/50 220/60 2.1KW           |
| 6   | 6526016   | 3   | PISTON STAINLESS REP. KIT           |
| 7   | 3003654   | 1   | O-RING 80X2 NITRIL 70 SHORE         |
| 8   | 6525598   | 1   | CYLINDER BLOCK. ANODIZATION         |
| 9   | 6526253   | 1   | INJECTOR COMPL.                     |
| 10  | 6526018   | 1   | SEAL SYSTEM SPARE PART              |
| 11  | 6526026   | 1   | VALVE SYSTEM REPAIR KIT             |
| 12  | 6526252   | 3   | PLUG KIT 3 PCS                      |
| 13  | 6525592   | 1   | CYLINDER HEAD. IMPREGNATED          |
| 14  | 1814597   | 3   | CYLINDER SCREW M8X70 DIN 912-8.8 ZN |
| 15  | 6524711   | 1   | WATER OUTLET EXCELLENT              |
| 16  | 6524710   | 1   | WATER INLET                         |
| 17  | 6525619   | 1   | LOCK BRACKET. SMALL                 |
| 18  | 6525618   | 1   | LOCK BRACKET. WATER OUTLET          |
| 19  | 6525620   | 1   | LOCK BRACKET WATER INLET            |
| 20  | 6526254   | 1   | AUTOMATIC S/S VALVE                 |
| 21  | 6526255   | 1   | MICROSWITCH BOX COMPL.              |



# Default accessories

E145.1

24-02-2015

Part List ID  
E12508

9

No Drawing For Part List

# Default accessories

E145.1

24-02-2015

Part List ID E12508

10

| Pos | Part no.  | Qty | Description                  |               |
|-----|-----------|-----|------------------------------|---------------|
| 1   | 106411345 | 1   | CORNER PROTECTION            | S models      |
| 1   | 126481117 | 1   | PR TORNADO GREEN             | E135.1        |
| 1   | 128500074 | 1   | G4 C C SPRAY LANCE LONG VER. |               |
| 1   | 128500077 | 1   | C C FOAMSPRAYER WITH BOTTLE  |               |
| 1   | 6411131   | 1   | AUTOBRUSH ALONE              |               |
| 1   | 6520844   | 1   | CLEANING TOOL BLACK          |               |
| 1   | 6524731   | 1   | HOOK RACK                    | S models      |
| 1   |           | 1   | NOTE COMMENT                 | Use G5 handle |