

# IMAGE 26B AND 26E

---

Model:  
IMAGE 26



Part List US-English

24-02-2015

# Table of Contents

IMAGE 26B AND 26E

<b>Recovery Tank and Hose Assembly Drawing</b>	<b>3</b>
<b>Final assembly</b>	<b>5</b>
<b>Handle Assembly Drawing</b>	<b>7</b>
<b>Rear Panel Assembly</b>	<b>9</b>
<b>Solution Tank Assembly Drawing</b>	<b>12</b>
<b>Plumbing Detail Drawing</b>	<b>14</b>
<b>Frame Assembly Drawing</b>	<b>16</b>
<b>Battery Tray Assembly</b>	<b>18</b>
<b>Recovery Tool Assembly</b>	<b>20</b>
<b>Brush Assembly Drawing</b>	<b>22</b>
<b>Transaxle Parts</b>	<b>24</b>
<b>Vac Motor Assembly</b>	<b>26</b>
<b>36 Volt Battery Charger</b>	<b>28</b>
<b>Battery Charger</b>	<b>30</b>
<b>Available Accessories</b>	<b>32</b>
<b>Recovery Tank and Hose Assembly</b>	<b>34</b>
<b>Handle Assembly Drawing</b>	<b>36</b>
<b>Rear Panel Assembly Drawing</b>	<b>38</b>
<b>Solution Tank Assembly</b>	<b>40</b>
<b>Frame Assembly Drawing</b>	<b>42</b>
<b>Plumbing Detail Drawin</b>	<b>44</b>
<b>Drive Assembly Drawing</b>	<b>46</b>
<b>Brush Assembly Drawing</b>	<b>48</b>
<b>Recovery Tool Assembly Drawing</b>	<b>50</b>
<b>Available Accessories</b>	<b>52</b>

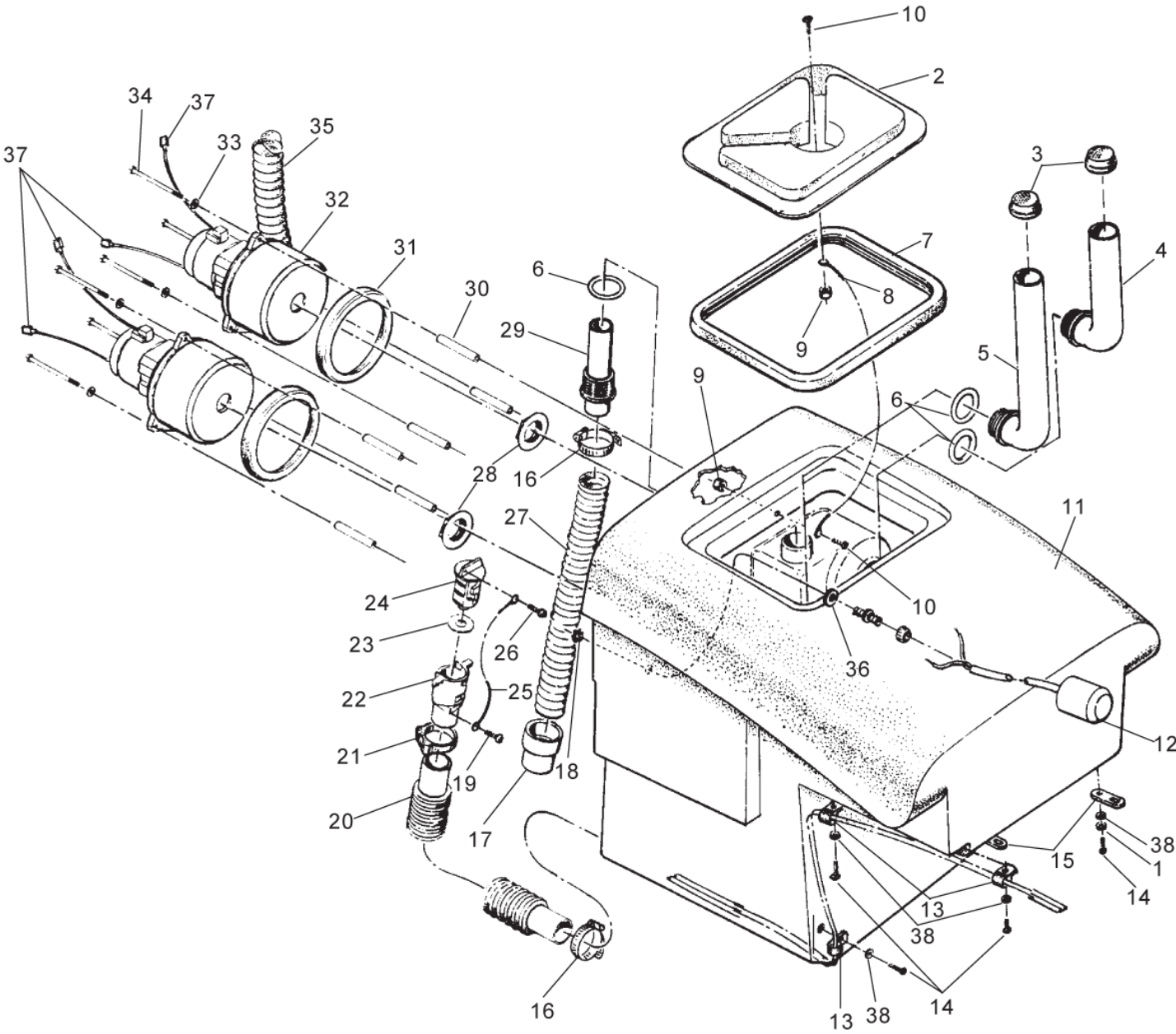
# Recovery Tank and Hose Assembly Drawing

24-02-2015

Part List ID  
IMAGE26B

3

IMAGE 26B AND 26E



# Recovery Tank and Hose Assembly Drawing

IMAGE 26B AND 26E

24-02-2015

Part List ID  
IMAGE26B

4

Pos	Part no.	Qty	Description
1	980657	4	WASHER LOCK 1/4 STD
2	36204C	1	LID RECOVERY
3	58069A	2	SCREEN VAC FILTER ENCORE 20
4	39339B	1	TUBE STAND 1 1/2 SPT X 7.00
5	39340B	1	TUBE STAND 1 1/2 SPT X 11.00
6	837304	3	O RING RETAINER PAPER BAG
7	34265B	1	GASKET RECOVERY AUTOSCRUBBER
8	38020A	1	STRAP COVER ENCORE 28-38
9	81110A	2	NUT HEX ELASTIC LOCK 10-24 S.S
10	962666	2	SCR 10 24X 3/4 PAN HEAD PHILL
11	30183A	1	TANK RECOVERY 26B W/R
12	47419A	1	SWITCH FLOAT IMAGE 16
13	98465A	3	INSUL METAL CLAMP 7/8
14	85806A	7	SCREW 1/4-20 X 3/4 HX SZ CAP
16	872010	2	CLAMP HOSE
17	51863A	1	CUFF HOSE 2 EXT 2100
18	82100A	1	LOCKNUT 1/2 CONDUIT
19	962958	1	SCREW 8-18 X 1/2 PN
20	30415A	1	HOSE RECOVERY DRAIN VISION 2
21	832002	1	CLAMP NYLON HOSE
22	839401	1	VALVE-DRAIN
23	833407	1	GASKET-DRAIN
24	833901	1	HANDLE-DRAIN VALVE
25	52206A	1	CHAIN COVER AUTOSCRUBER
26	962987	1	SCR 10 24X 3/8 PN ST TYP23
27	30011A	1	HOSERECOVERY
28	920797	2	NUT DRAIN VALVE LOCK 8131 935
29	30010A	1	ADAPTOR ASMVAC IMAGE 26B
30	58533A	6	SPACER VAC MOTOR 3 STG. SUMMI
31	643418	2	GASKET
32	56109731	2	MOTOR-VAC 36VDC
33	87026A	6	WASHER .250 FLAT SS
34	85728A	6	SCREW 1/4-20 X 4 HEX HD AUTOSC
35	30448A	1	HOSEVACXHAUST
36	59877A	1	WASHER 1/2 NPT SEALING
37	47905A	4	TERMINAL1/4 FIMQD 16 14 GA.
38	980646	7	WASHER 1/4 SAE FLAT PLTD

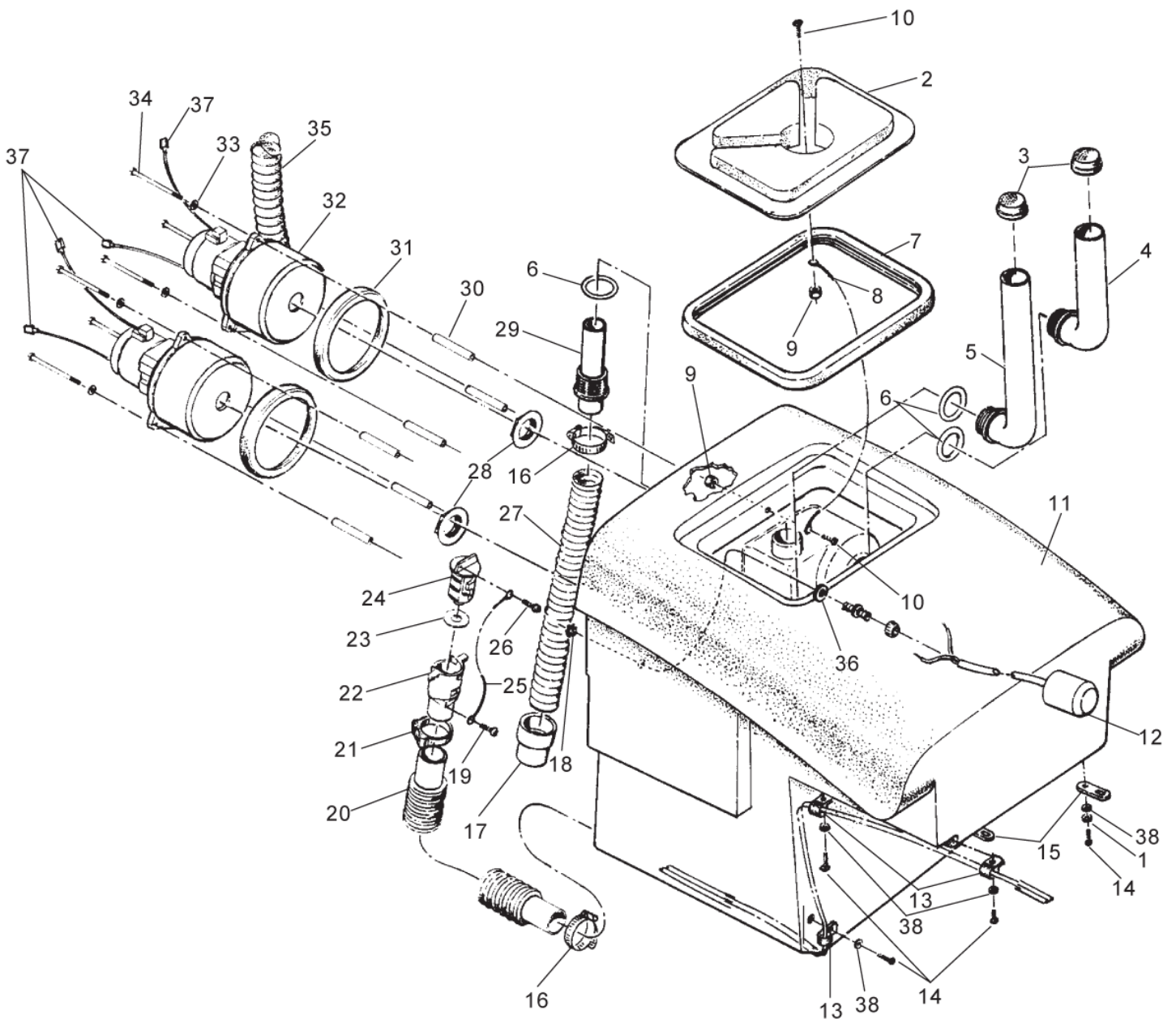
# Final assembly

IMAGE 26B AND 26E

24-02-2015

Part List ID  
IMAGE26E

5



# Final assembly

IMAGE 26B AND 26E

24-02-2015

Part List ID  
IMAGE26E

6

Pos	Part no.	Qty	Description
2	980099	2	WASHER MOTOR MTG
3	85389A	2	SCR 3/8 16X 5/8 PN SY
6	962481	4	SCR 1/4-20 X 1-1/4 HEX ST CAP
7	87002A	6	WASHERFLAT
8	980645	8	WASHER 3/8 FLAT SAE
9	170883	6	WASHER LK 3/8 REGPLTD
10	962244	6	BOLT 3/8 16 X HHCS
12	81102A	6	NUT STOP ELASTIC 1/4-20 HEX
14	50248A	1	CLAMP 3/8 HOSE
18	50249A	4	SPACERLINKAGE IMAGE 26E
20	980982	2	WASHER 10 SAE FLAT PLTD
21	836711	1	HAIRPIN FOR 8.0MM CLEVIS
24	40149A	1	CORD ASM POWER 36FT 230V
26	962522	2	SCR 3/8 -16X2 HX ST CAP
28	170886	2	WASHER FLT 1/4 USS PLTD
30	962481	3	SCR 1/4-20 X 1-1/4 HEX ST CAP
32	30089A	1	TANK CHEMICAL IMAGE 26E W R
33	85806A	1	SCREW 1/4-20 X 3/4 HX SZ CAP
34	51210A	1	KNOB CHEMICAL JUG W R
36	52333A	1	HOSE BARB CHEMICAL
37	51208A	1	TIPS CHEMICAL METERING
38	80134A	1	FITTING SWIVEL
39	10219A	1	CAP ASM 26E
40	52476A	1	CLAMP CHEMICAL LINE

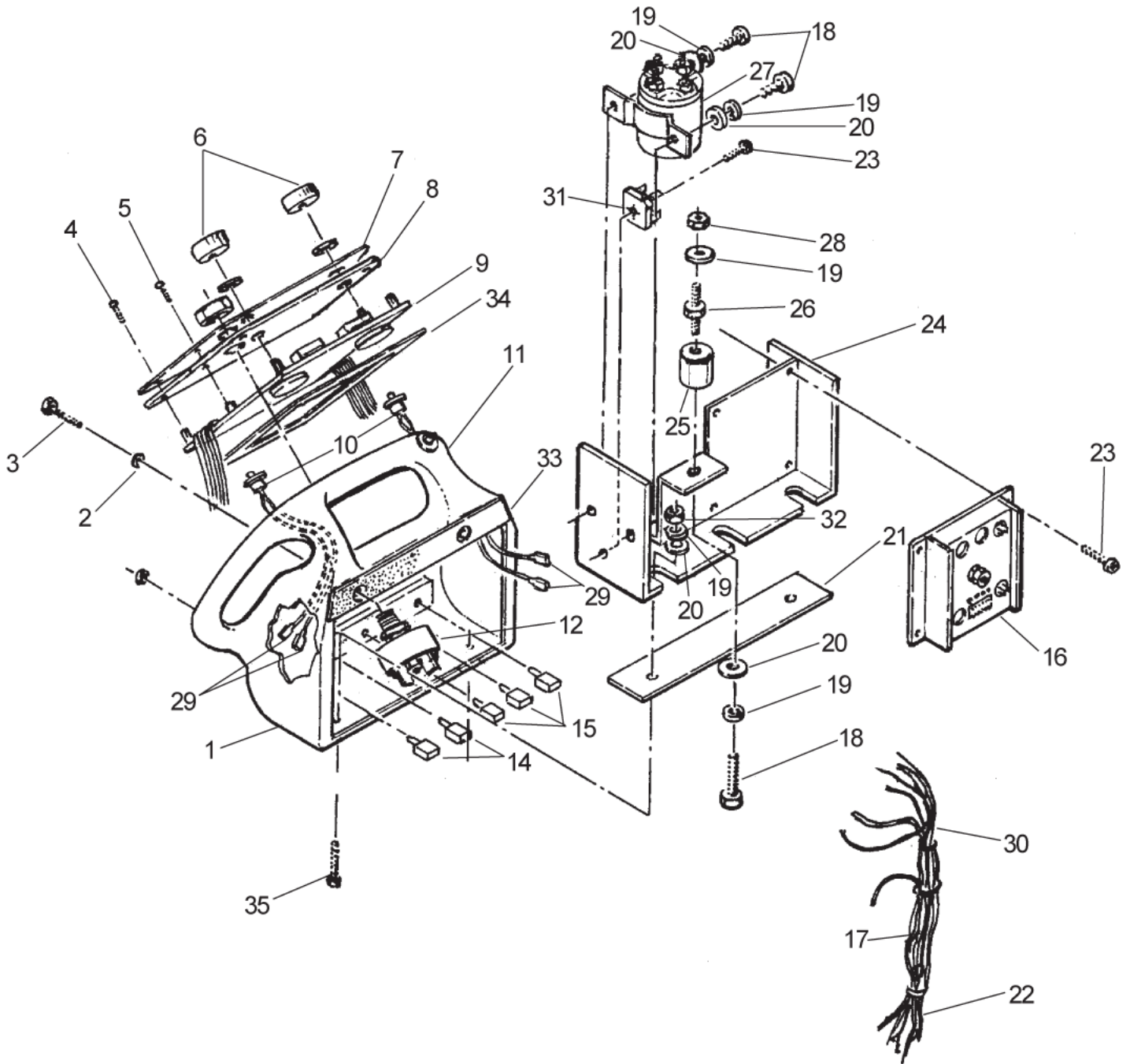
# Handle Assembly Drawing

IMAGE 26B AND 26E

24-02-2015

Part List ID  
IMAGE26B01

7



# Handle Assembly Drawing

IMAGE 26B AND 26E

24-02-2015

Part List ID  
IMAGE26B01

8

Pos	Part no.	Qty	Description
2	980645	2	WASHER 3/8 FLAT SAE
3	962522	2	SCR 3/8 -16X2 HX ST CAP
4	962968	4	SCREW 10-24 X 1/2 PAN
5	85313C	4	SCREW 6-32 X 3/8 PAN HD
6	55502A	2	KNOB-SPEED CONTROL+TEMP CONTRL
7	77368A	1	LABELCONTROL PANEL IMAGE 26B
8	66257A	1	PANELCONTROL IMAGE 26B
9	44309A	1	MODULECONTROL PANEL IMAGE 26B
10	53077B	2	SWITCH PUSH BUTTON SPST NO
11	40158A	1	SWITCH PUSH BUTTON SPDT
12	47380A	1	SWITCH KEY 32DLX/STD
14	41438B	2	BREAKERCIRCUIT7AQD.25 STR
15	41422B	3	BREAKER CIRCUIT 25A SCR.90 DEG
16	41161A	1	CONTRLMOTOR QUAD IMAGE 26B
17	40190B	1	HARNESS WIRE MAIN IMAGE 26B
18	962430	3	SCR 1/4 -20X 1/2 HX ST MACH
19	980657	4	WASHER LOCK 1/4 STD
20	980646	5	WASHER 1/4 SAE FLAT PLTD
22	40006A	1	HARNESSWIRINGQUAD MOD 26B
23	962350	5	SCR 10 32X 1/2 PN ST
25	854849	1	INSULATOR RO-42/32IX/26IX
26	83302A	1	STUD 1/4-20
27	41801A	1	CONTACTOR 36V
28	920208	1	NUT HEX 1/4-20PLTD
29	47905A	6	TERMINAL1/4 FIMQD 16 14 GA.
30	40005B	1	HARNESS WIRE TRAVERSE CONTROL
31	912287	1	RECTIFIER
32	81102A	2	NUT STOP ELASTIC 1/4-20 HEX
33	30033A	1	GASKETHANDLE
34	30032A	1	GASKETCONTROL PANEL



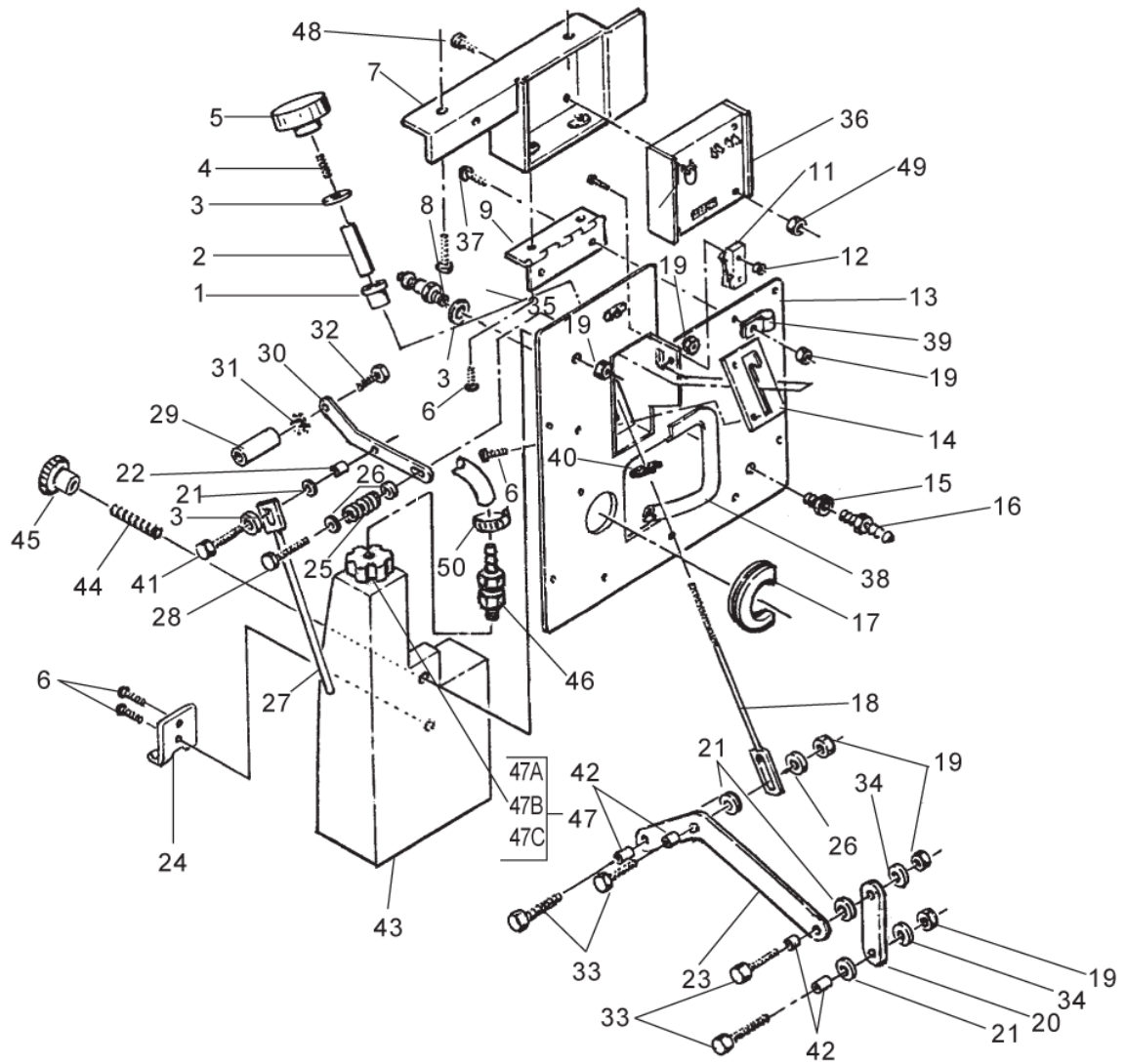
# Rear Panel Assembly

IMAGE 26B AND 26E

24-02-2015

Part List ID  
IMAGE26B02

9



# Rear Panel Assembly

IMAGE 26B AND 26E

24-02-2015

Part List ID  
IMAGE26B02

10

Pos	Part no.	Qty	Description
1	51535A	1	BUSHING 5/8 NOM. IMAGE 26E
2	61685A	1	CONTROLBRUSH HEIGHT IMAGE 26
3	980645	3	WASHER 3/8 FLAT SAE
4	86207A	1	SCREWSET3/8-16 X 1-1/2 S.H.
5	55537A	1	KNOB HEAD PRESSURE FUSION
6	85395A	12	SCREW 1/4 20 X 1/2 PAN HD SS
8	737140	1	QUICK DISCONNECT 7809 915 1/8
10	962980	2	SCR 6-32X1 PN ST MACH
11	47374A	1	SWITCH STRAIGHT LEVER 2400/32
12	920056	2	NUT-6X32 ELASTIC STOP
14	68796A	1	PLATEWEAR WLDMT. IMAGE 26B
15	697501	1	REDUCER-1/4 NPT TO 1/8 NPT
16	55167A	1	HOSEBARB 3/8H X 1/4 NPT FEMALE
18	65448A	1	LIFT WLDMT.BRUSH IMAGE 26B
19	81102A	6	NUT STOP ELASTIC 1/4-20 HEX
21	87618A	5	WASHER FLT .75X.39X.62 NYLON
22	608210	1	SPACER-HANDLE BOLT
23	60467A	1	ARMBRUSH LIFT IMAGE 26B
25	438360	1	SPRING-ADJUSTER LIFT
26	980692	3	WASHER 5/16 FLAT SS
27	65447A	1	LIFTWLDMT.REC. TOOL 26B
28	80028A	1	BOLT SHOULDER 5/16 X 1
29	64490A	1	HANDLE SQUEEGEE LIFT VISION
30	64906A	1	HANDLEREC. TOOL LIFT IMAGE26B
31	980666	1	WASHER 3/8 EXT. STAR
32	85389A	1	SCR 3/8 16X 5/8 PN SY
33	85806A	3	SCREW 1/4-20 X 3/4 HX SZ CAP
34	87026A	2	WASHER .250 FLAT SS
35	85700A	2	SCR 1/4 -20X1 HX ST CAP
36	41160B	1	CONTROLLERTRAVERSE IMAGE 26B
37	85390A	1	SCR 1/4 20X1 1/4 PN SS
39	98465A	1	INSUL METAL CLAMP 7/8
40	857345	1	RING RETAINING RO 42BP
41	962430	1	SCR 1/4 -20X 1/2 HX ST MACH
42	50249A	4	SPACERLINKAGE IMAGE 26E
43	30089A	1	TANK CHEMICAL IMAGE 26E W R
44	51209A	1	PIN CHEMICAL JUG WASH RINSE
45	51210A	1	KNOB CHEMICAL JUG W R
46	80134A	1	FITTING SWIVEL
47	10224A	1	CAP ASM CHEMICAL
47	52333A	1	HOSE BARB CHEMICAL
47	52419A	2	TIP CHEMICAL METERING
48	962968	4	SCREW 10-24 X 1/2 PAN

# Rear Panel Assembly

IMAGE 26B AND 26E

24-02-2015

Part List ID  
IMAGE26B02

11

Pos	Part no.	Qty	Description
49	81110A	4	NUT HEX ELASTIC LOCK 10-24 S.S
50	722021	1	CLAMPHOSE 4
47A	52828A	1	TIP CHEMICAL METERING TAN
47B	52829A	1	TIP CHEMICAL METERING ORANGE
47C	52831A	3	TIP CHEMICAL METERING PINK

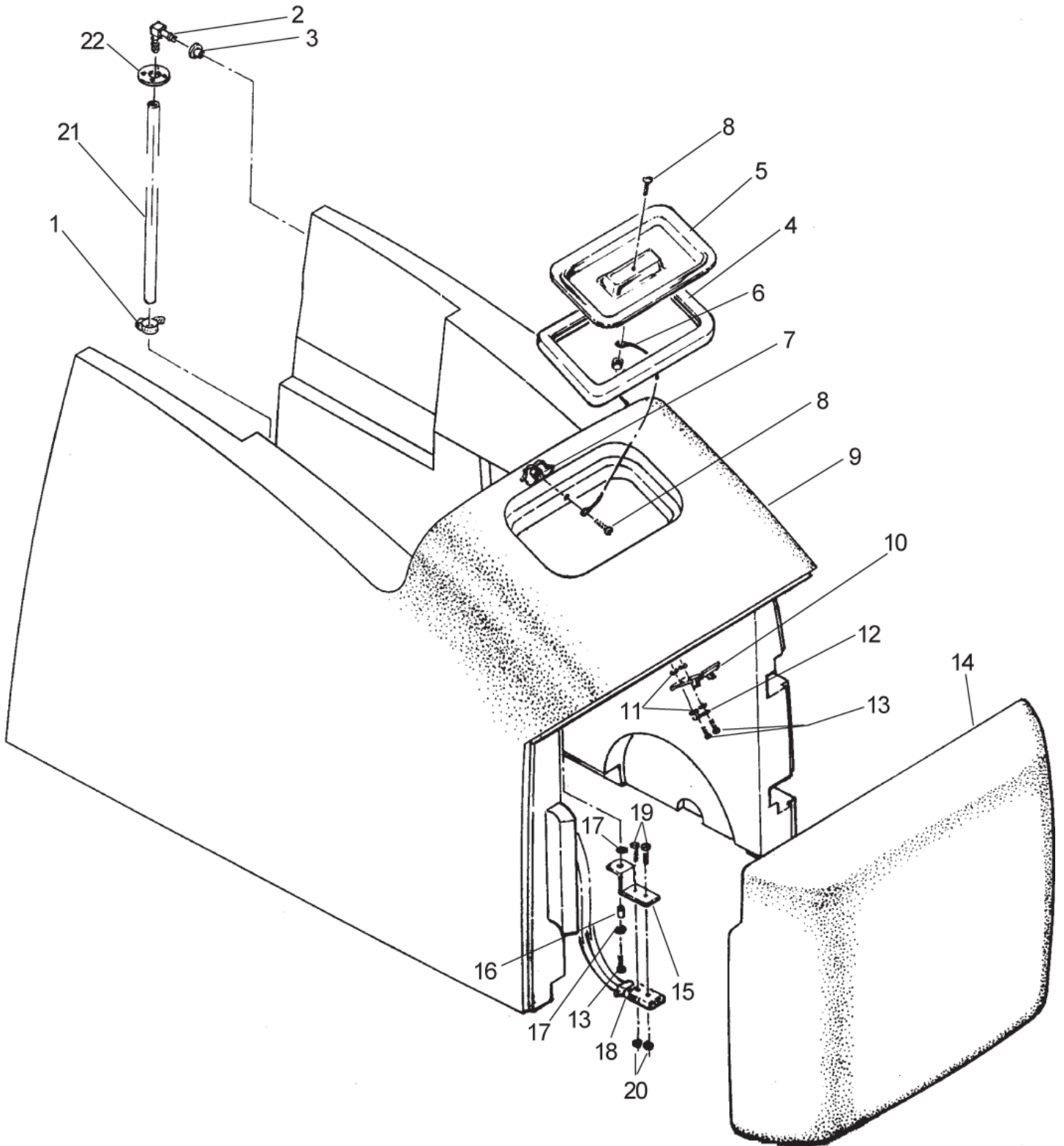
# Solution Tank Assembly Drawing

IMAGE 26B AND 26E

24-02-2015

Part List ID  
IMAGE26B03

12



# Solution Tank Assembly Drawing

IMAGE 26B AND 26E

24-02-2015

Part List ID  
IMAGE26B03

13

Pos	Part no.	Qty	Description
1	722030	1	CLAMP HOSE 6
2	30883A	2	CONNECTOR ELBOW
3	31242A	2	BUSHING FOR .62 OD CONNECTOR
4	34256B	1	GASKET REC IMAGE EXT 441
5	832322	1	COVER-SOL TANK
6	38020A	1	STRAP COVER ENCORE 28-38
7	81110A	2	NUT HEX ELASTIC LOCK 10-24 S.S
8	962666	2	SCR 10 24X 3/4 PAN HEAD PHILL
9	38820A	1	TANKSOLUTION IMAGE 26B
11	980646	4	WASHER 1/4 SAE FLAT PLTD
12	980657	2	WASHER LOCK 1/4 STD
13	85806A	3	SCREW 1/4-20 X 3/4 HX SZ CAP
14	32416A	1	COVERFRONT IMAGE 26B
15	61537A	1	BRACKETBAT.PLUG IMAGE 26B
16	608210	1	SPACER-HANDLE BOLT
17	87618A	2	WASHER FLT .75X.39X.62 NYLON
18	41162A	1	CABLE ASMCONSOLE IMAGE 26B
19	962212	2	SCR 6 32X 7/8 PN ST
20	920056	2	NUT-6X32 ELASTIC STOP
21	30463A	1	HOSECLEAR VINYL IMAGE 26B
22	60218A	1	PLUG DRAIN

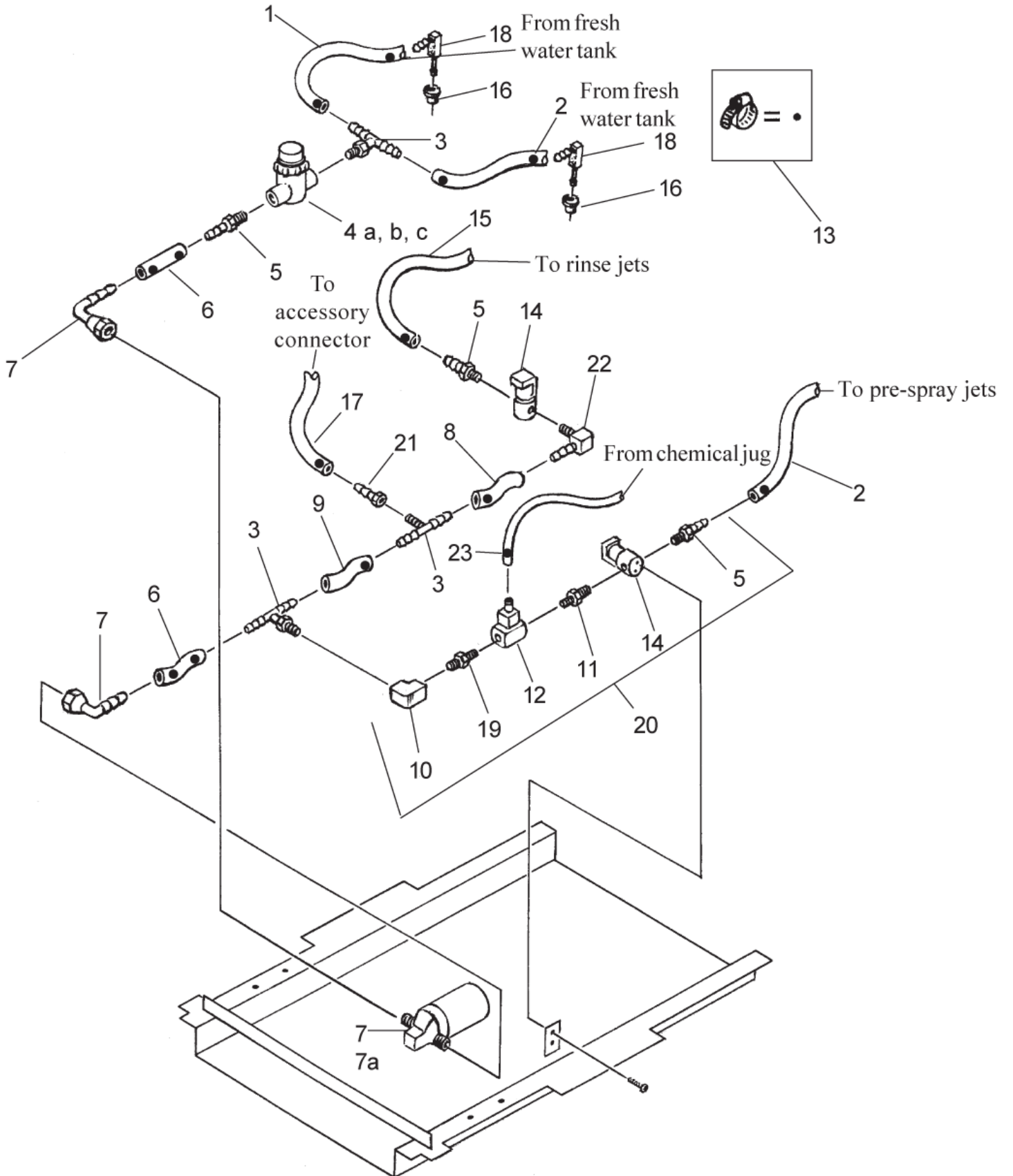
# Plumbing Detail Drawing

IMAGE 26B AND 26E

24-02-2015

Part List ID  
IMAGE26B04

14



# Plumbing Detail Drawing

IMAGE 26B AND 26E

24-02-2015

Part List ID  
IMAGE26B04

15

Pos	Part no.	Qty	Description
1	69404A	1	HOSE DISCHARGE
2	35147A	2	HOSESOL3/8X14EXT 771 SII
3	59016A	3	TEE BRANCH 1/4 X 3/8 NYLON
4	53050A	1	STRAINER BOWL100X100MESH LOW
5	170030	3	HOSEBARB3/8H X 1/4MPT BRASS
7	45950A	1	PUMP 100 PSI 36V
8	35148A	1	HOSE AIR 3/8 X 5 3/4
10	53639A	1	ELBOW PIPE 1/4 NPT X 90 DEG
11	851144	1	BUSHING 1/4TO1/8
12	51207A	1	INJECTOR CHEMICAL
13	50248A	11	CLAMP 3/8 HOSE
14	59623A	2	VALVESOLUTION 36V IMAGE 26B
15	30425A	1	HOSE AIR 3/8 I.D. X 5/8 O.D.
16	51518A	2	BUSHING HOSE CONNECTOR
17	35168A	1	HOSE AIR3/8 X 40 CFS 2700
18	51526A	2	HOSEBARB 3/8 X 90 DEG
19	697501	1	REDUCER-1/4 NPT TO 1/8 NPT
20	10229A	1	INJECTOR ASM 26B W/R
21	55167A	1	HOSEBARB 3/8H X 1/4 NPT FEMALE
22	732870	1	ELBOW 3/8 BARB TO 1/4 MPT
23	722021	1	CLAMPHOSE 4
4A	58061B	1	FILTER SCREEN
4B	54369A	1	GASKETVITON FOR 53050A

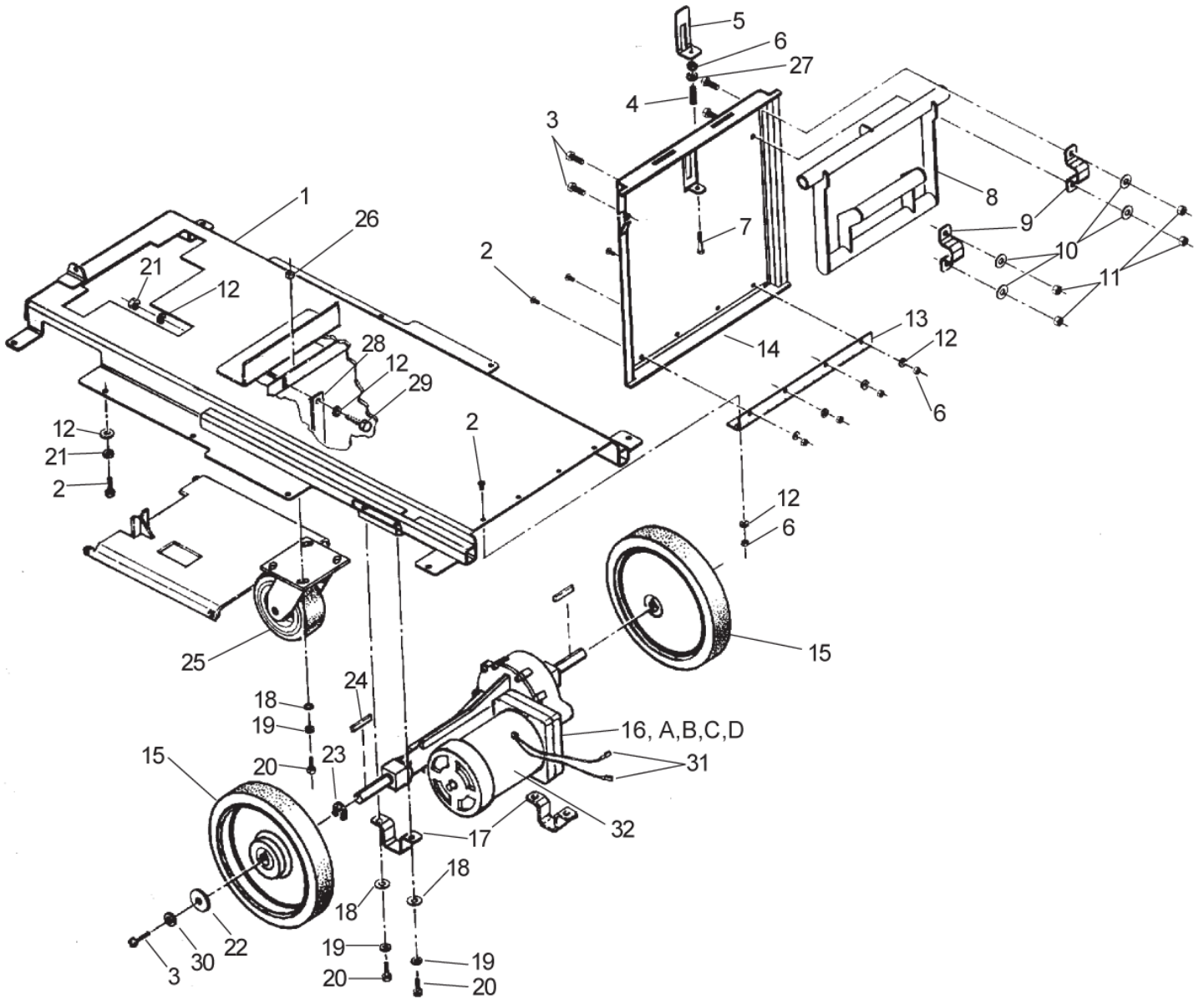
# Frame Assembly Drawing

IMAGE 26B AND 26E

24-02-2015

Part List ID  
IMAGE26B05

16





# Frame Assembly Drawing

IMAGE 26B AND 26E

24-02-2015

Part List ID  
IMAGE26B05

17

Pos	Part no.	Qty	Description
0	980651	4	WASHER 5/16 SAE FLAT
1	65979B	1	FRAME WLDMNT 26B
1	920110	4	NUT LK 5/16-18 REGPLTD
2	85806A	19	SCREW 1/4-20 X 3/4 HX SZ CAP
2	87026A	20	WASHER .250 FLAT SS
3	85811A	6	BOLT 5/16-18 X 3/4 HX HD
4	58614A	1	SPRING-1.2X30 CASTER
4	61539A	1	BRIDGE WLDMT.BATTERY IMAGE26B
5	65507A	1	LATCHBRIDGE IMAGE 26B
5	69206A	2	WHEEL10x2 1/2 IMAGE 26B
6	50008C	1	TRANSAXLE IMAGE 26B
6	920208	9	NUT HEX 1/4-20PLTD
7	85701A	1	SCR 1/4 -20X1 1/2 HX ST CAP
17	62435A	2	CLAMP TRANSAXLE PNTD ENCORE
18	980645	4	WASHER 3/8 FLAT SAE
19	170883	4	WASHER LK 3/8 REGPLTD
20	85822A	8	SCREW 3/8-16 X 7/8 HX CAP G5
21	980657	18	WASHER LOCK 1/4 STD
22	980205	2	WASHER .312 ID/1.06 OD/.075THK
23	57423A	2	RING RETAINING .75 SHAFT ENC20
24	80507A	2	KEY3/16 SQ. 34T SPROCKET
25	899769	1	CASTER ASM TB24/32A SER II
26	920260	4	NUT 3/8 -16 HEX
27	980646	1	WASHER 1/4 SAE FLAT PLTD
29	81104A	1	NUT 1/4 20 ESNA TYPE SS
30	980652	2	WASHER LK 5/16 REGPLTD
31	47905A	2	TERMINAL1/4 FIMQD 16 14 GA.
6A	52660A	1	COUPLERTRANSAXLE FOR 69165A
16C	50251A	4	BRUSHMOTOR

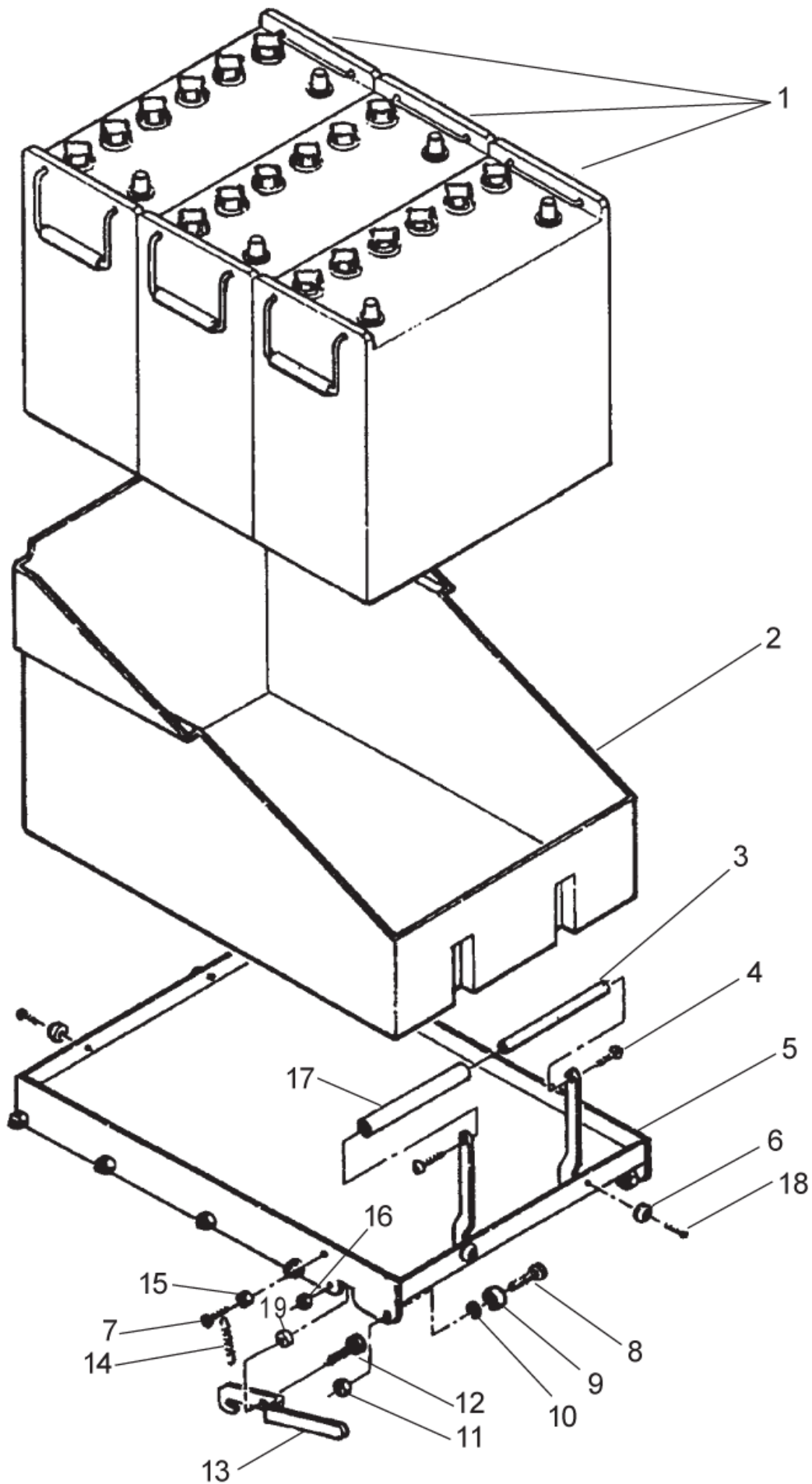
# Battery Tray Assembly

IMAGE 26B AND 26E

24-02-2015

Part List ID  
IMAGE26B06

18



# Battery Tray Assembly

IMAGE 26B AND 26E

24-02-2015

Part List ID  
IMAGE26B06

19

Pos	Part no.	Qty	Description
2	39008B	1	TRAY BATTERY FUSION
2	962495	1	SCREW 1/4-20 X 1 PAN HEAD
3	61434A	1	LEVER BATTERY TRAY
4	668311	1	SPRING 540
4	85376A	2	SCREW 1/4 20 X 5/8 PAN
5	920224	1	NUT-10X32 HEX
6	51609A	4	BUMPER-REAR
6	81102A	1	NUT STOP ELASTIC 1/4-20 HEX
7	34705A	1	HOSE BRUSH VISION 26L
7	962350	1	SCR 10 32X 1/2 PN ST
8	962929	4	SCREW 10-32X 3/8 BD SS PH
8	962986	10	SCR 5/16 18X 3/4 PN ST MACH
9	902648	10	BRG-BALL RADIAL DBL SEAL
10	980651	10	WASHER 5/16 SAE FLAT
11	920160	10	NUT-5/16-18 HEX JAM
NI	41217A	2	CABLE BATTERY KIT 14662B

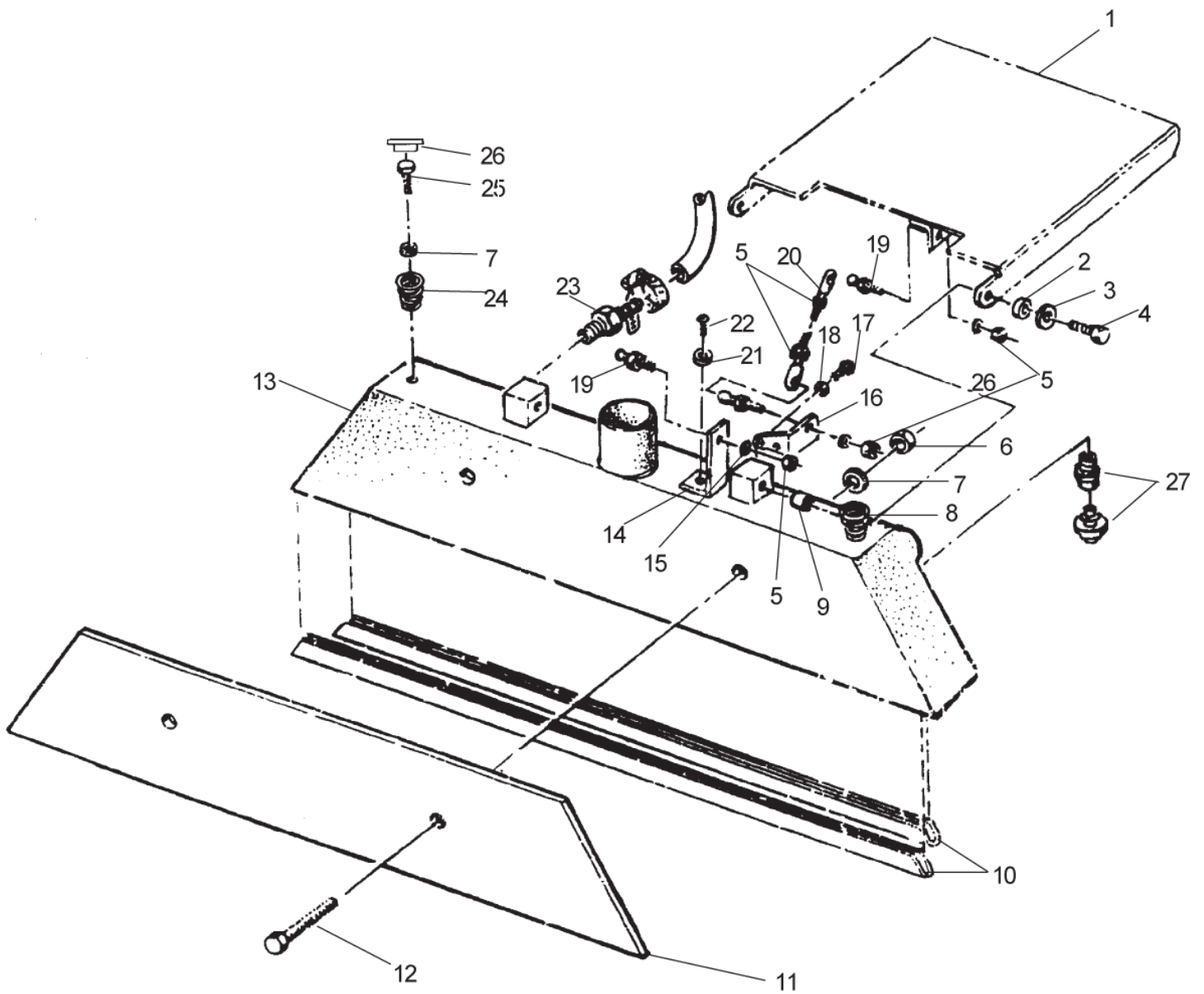
# Recovery Tool Assembly

IMAGE 26B AND 26E

24-02-2015

Part List ID  
IMAGE26B07

20



# Recovery Tool Assembly

IMAGE 26B AND 26E

24-02-2015

Part List ID  
IMAGE26B07

21

Pos	Part no.	Qty	Description
1	66816A	1	RECOVERY LIFT WLDMT. IMAGE 26B
2	87618A	2	WASHER FLT .75X.39X.62 NYLON
3	980646	2	WASHER 1/4 SAE FLAT PLTD
4	85806A	2	SCREW 1/4-20 X 3/4 HX SZ CAP
5	81306A	5	NUT HEX JAM 5/16 24
6	920110	2	NUT LK 5/16-18 REGPLTD
7	980651	4	WASHER 5/16 SAE FLAT
8	58612A	1	SPRING-COMPRESSION EXT-771
9	608210	2	SPACER-HANDLE BOLT
10	67619A	2	SHOE RECOVERY TOOL IMAGE 26E
11	68808A	1	WEIGHTRECOVERY TOOL PAINTED
12	85615A	2	PNPHBLACK OXIDE 5/16 18x1.50
13	27201A	1	SHOERECOVERY PNTD IMAGE 26E
14	61541A	1	BRACKETREC. LIFT IMAGE 26B
15	980652	3	WASHER LK 5/16 REGPLTD
16	65980A	1	MOUNTBALL JOINT IMAGE 26B
17	962798	2	SCR 10 24X 1/2 PN SS
18	980982	2	WASHER 10 SAE FLAT PLTD
19	50546A	3	BALL JOINT REC. TOOL EXT 210
20	67164A	1	RODRECOVERY TOOL ADJ. PLATED
21	170883	1	WASHER LK 3/8 REGPLTD
22	962288	1	SCREW 3/8-16 X 1.0 HX ST CAP
23	170030	1	HOSEBARB3/8H X 1/4MPT BRASS
24	50240A	1	SPRINGBRUSH PRESSURE IMG.26E
25	85395A	2	SCREW 1/4 20 X 1/2 PAN HD SS
26	30517A	2	BUSHING SQUEEGEE 1700B+E II
27	51320A	4	NOZZLE RINSE IMG 26E W/R
27A	52549A	4	NOZZLE PLASTIC RINSE

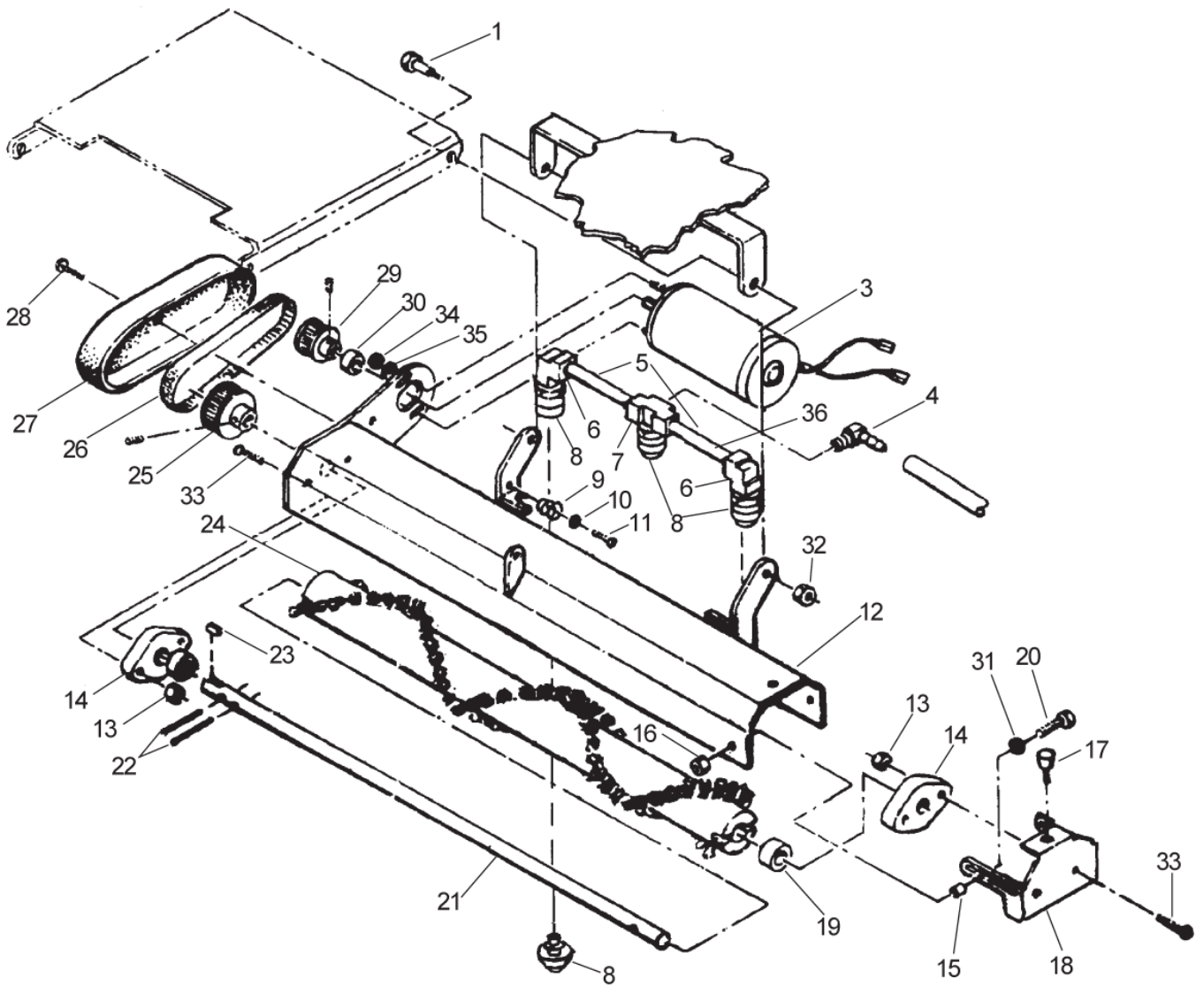
# Brush Assembly Drawing

IMAGE 26B AND 26E

24-02-2015

Part List ID  
IMAGE26B08

22



# Brush Assembly Drawing

IMAGE 26B AND 26E

24-02-2015

Part List ID  
IMAGE26B08

23

Pos	Part no.	Qty	Description
1	80041A	2	BOLT SHOULDER 3/8 X 3/8 PLTD.
3	44310A	1	MOTORBRUSH 36V. IMAGE 26B
4	732870	1	ELBOW 3/8 BARB TO 1/4 MPT
5	56365A	2	NIPPLE 1/4 NPT 4.00 IMAGE 26E
6	53639A	2	ELBOW PIPE 1/4 NPT X 90 DEG
7	51369A	1	TEE PIPE 1/4
8	51370A	3	NOZZLE PRE SPRAY
9	53426A	1	SPRINGNOZZLE ASM IMAGE 26
10	980982	1	WASHER 10 SAE FLAT PLTD
12	61542B	1	HOUSING WLDMNT BRUSH
13	81102A	4	NUT STOP ELASTIC 1/4-20 HEX
14	53399A	2	BEARING 5/8 FLANGE ZINC
15	58548A	2	SPACERBRUSH DOOR IMAGE 26E
16	81109A	2	NUT HEX ELASTIC LOCK SS 8-32
17	55518A	1	KNOB CLAMPING 1/4 20X1/2 STUD
18	60089A	1	DOORBRUSH END IMAGE 26E B
19	38708A	1	SPACER 1.12ODX.63IDX.30THK
20	962027	2	SCREW 8 32 X 1/2 PAN HD
21	67481A	1	SHAFTBRUSH PIVOT IMAGE 26E
22	50436A	2	PIN BRUSH DRIVE EXT-2100
23	915082	1	KEY 3/16 X 3/16 X 3/4 LG
24	30167A	1	BRUSH W/R MAINT
25	57247A	1	PULLEYBRUSH DRIVENEXT 2100
26	50928A	1	BELTBRUSH DRIVE IMAGE 26E
27	30029A	1	COVERBELT IMAGE 26B E
28	85395A	2	SCREW 1/4 20 X 1/2 PAN HD SS
29	57268A	1	PULLEY TIMING 1/5 PITCH 16T
30	58517A	1	SPACERMOTOREXT 441/771 PB II
31	980646	2	WASHER 1/4 SAE FLAT PLTD
32	920110	2	NUT LK 5/16-18 REGPLTD
33	85390A	4	SCR 1/4 20X1 1/4 PN SS
34	920208	2	NUT HEX 1/4-20PLTD
35	980614	2	WASHER LK 1/4 EXT TOOTHPLTD
36	10220A	1	BAR ASM PRE SPRAY
3A	40832A	2	BRUSHCARBON 2PER
8A	52550A	3	NOZZLE PLASTIC PRE SPRAY
24A	30166A	1	BRUSH W/R REST

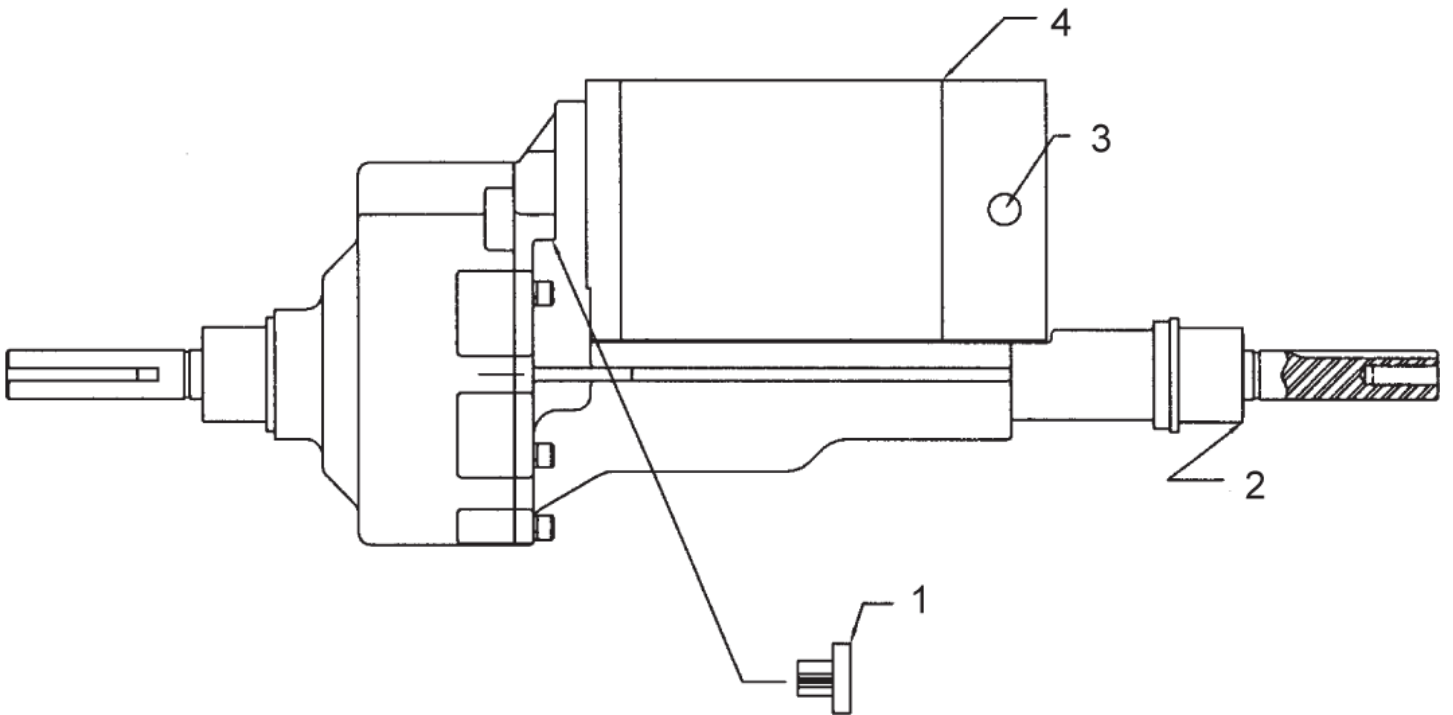
# Transaxle Parts

IMAGE 26B AND 26E

24-02-2015

Part List ID  
IMAGE26B09

24





# Transaxle Parts

IMAGE 26B AND 26E

24-02-2015

Part List ID  
IMAGE26B09

25

Pos	Part no.	Qty	Description
1	50983A	1	COUPLERMTR DRIVE 50967A
1	52660A	1	COUPLERTRANSAXLE FOR 69165A for 50008B
2	51056A	1	SLEEVE ELASTOMERIC
3	40628A	1	BRUSH CARBON MOTOR
3	50251A	1	BRUSHMOTOR for 50008B
4	40627A	1	MOTOR TRANSAXLE

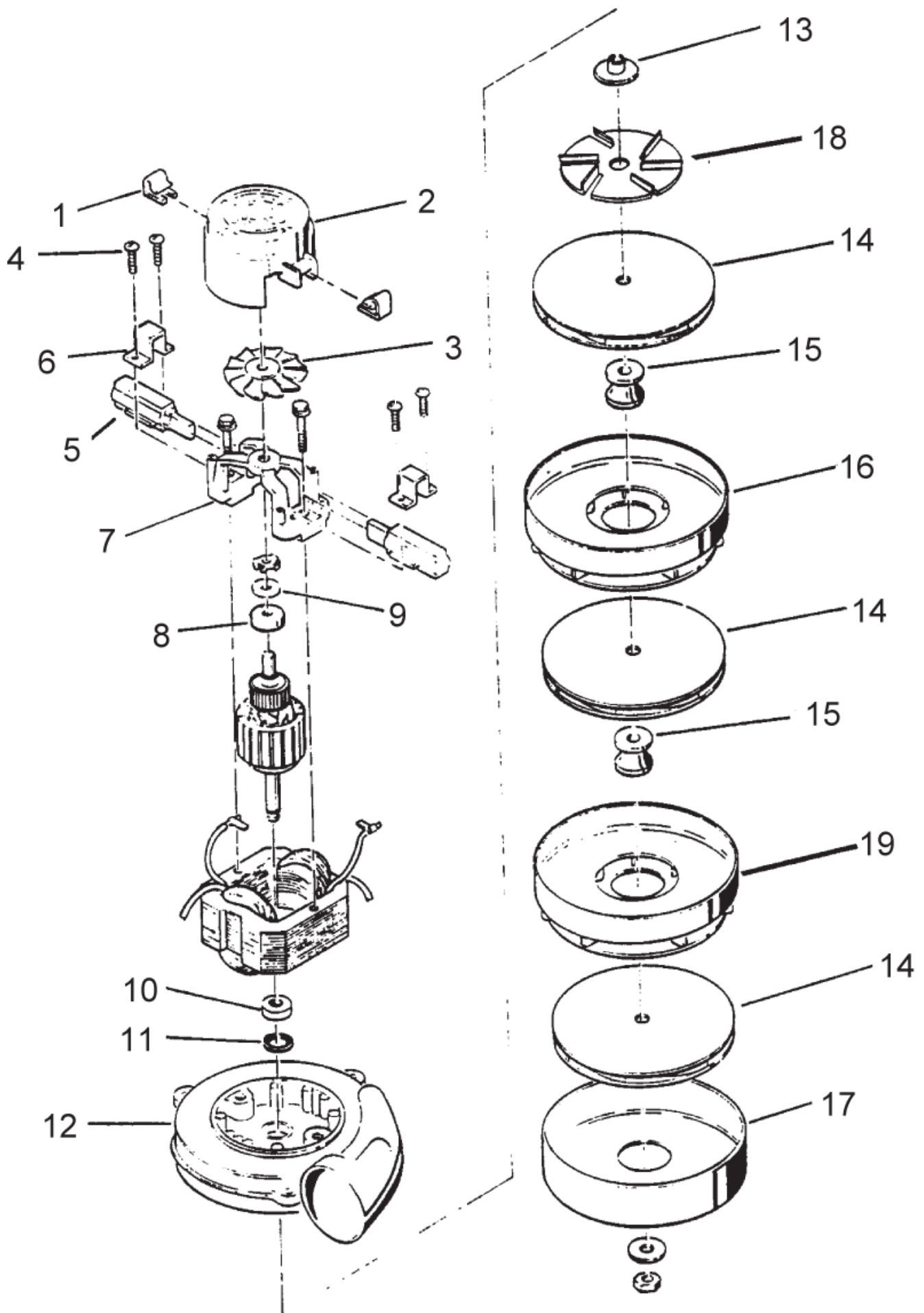
# Vac Motor Assembly

IMAGE 26B AND 26E

24-02-2015

Part List ID  
IMAGE26B10

26



# Vac Motor Assembly

IMAGE 26B AND 26E

24-02-2015

Part List ID  
IMAGE26B10

27

Pos	Part no.	Qty	Description
1	51913A	2	CLIP
2	54809A	1	HOUSING
3	53905A	1	FAN-VENT 685202-4
4	85303A	4	SCREW 8-32 X 3/8 PN ST PH
5	40830A	2	BRUSH CARBON GREEN HOUSING
6	51914A	2	CLAMP
7	50618A	1	BRACKET-END COMM.
8	53100A	1	DISC
9	902679	1	BEARING-BALL
10	902648	1	BRG-BALL RADIAL DBL SEAL
12	50610A	1	BRACKET-END FAN FOR 835204 V
13	58501A	1	SPACER
14	53914A	3	FAN
15	658201	2	SPACER
16	53908A	1	FAN-STATIONARY
17	658506	1	SHELL-FAN
19	53996A	1	FAN STATIONARY

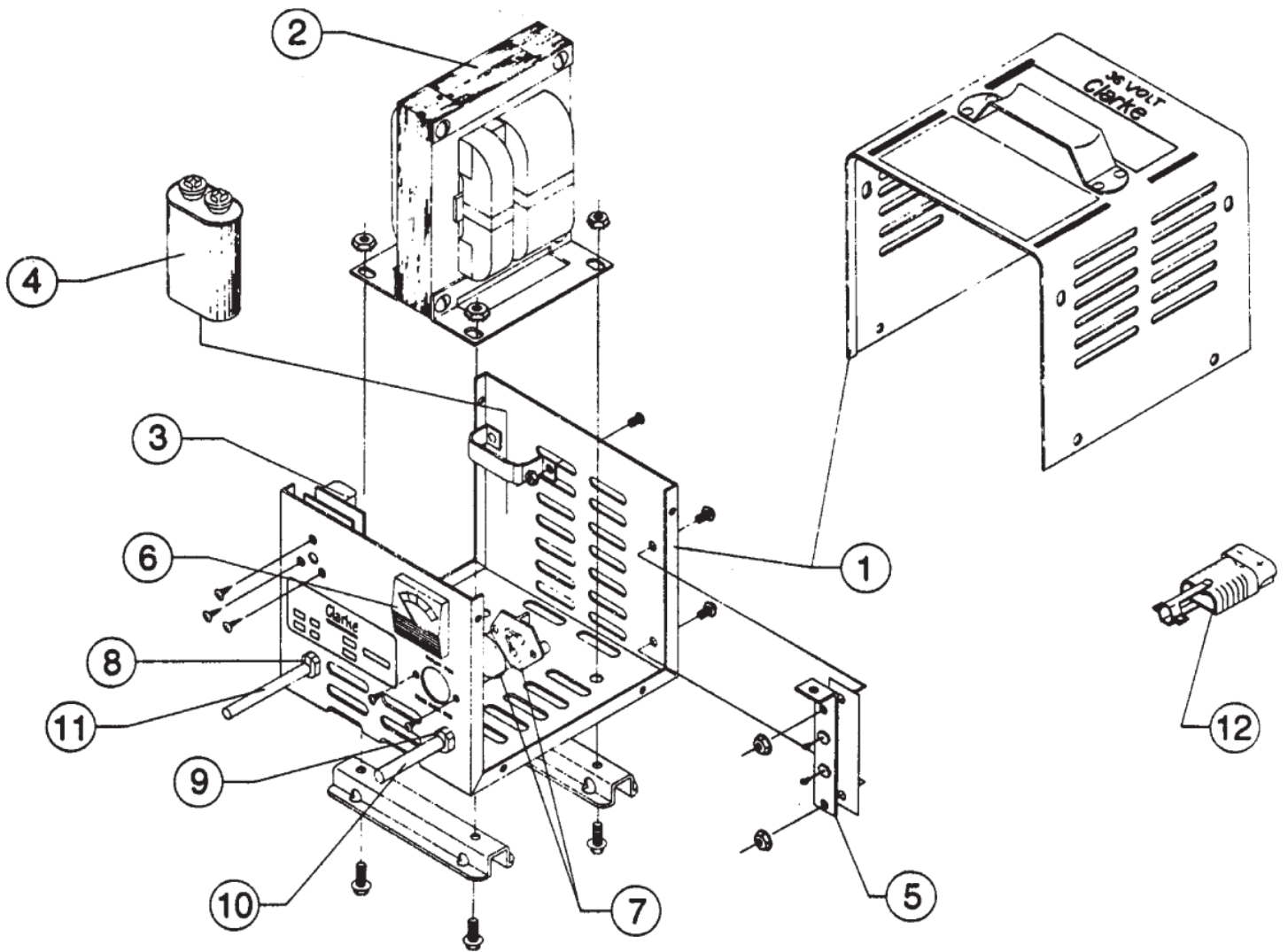
# 36 Volt Battery Charger

IMAGE 26B AND 26E

24-02-2015

Part List ID  
IMAGE26B11

28



# 36 Volt Battery Charger

IMAGE 26B AND 26E

24-02-2015

Part List ID  
IMAGE26B11

29

Pos	Part no.	Qty	Description	
1	42503A	1	ENCLOSURE 40506A 3	FOR CHARGER MODEL NUMBER 40506A
1	42504A	1	ENCLOSURE 40507A-2	FOR CHARGER MODEL NUMBER 40507A
1	51959A	1	CHARGER CASE 40505A-4	FOR CHARGER MODEL NUMBER 40505A
2	48412A	1	TRANSFORMER ASM-230/60	FOR CHARGER MODEL NUMBER 40507A
3	41102A	1	CONTROLLER 120V CHARGER	FOR CHARGER MODEL NUMBER 40506A
3	41103A	1	CONTROLLER 230V CHARGER	FOR CHARGER MODEL NUMBER 40507A AND 40505A
4	912132	1	CAPACITOR 6 MFD	FOR CHARGER MODEL NUMBER 40506A, 40507A AND 40505A
5	56373047	1	HEAT SINK ASSY W/DI E00074	FOR CHARGER MODEL NUMBER 40506A, 40507A AND 40505A
6	40200A	1	AMMETER DC 0 35 AMPS	FOR CHARGER MODEL NUMBER 40506A, 40507A AND 40505A
7	912382	1	FUSE ASS Y 832415 4	FOR CHARGER MODEL NUMBER 40506A, 40507A AND 40505A
9	747553	1	STRAIN RELIEFSR7W2 CM20	FOR CHARGER MODEL NUMBER 40506A, 40507A AND 40505A
10	51973A	1	CORD ASM FOR 40504A 5	FOR CHARGER MODEL NUMBER 40506A, 40507A AND 40505A
11	51974A	1	CORD 78 POWER FOR 40503A 6	FOR CHARGER MODEL NUMBER 40506A
11	908947	1	CORD ASM-AC 230V LESTER 9108	FOR CHARGER MODEL NUMBER 40507A AND 40505A
12	795020	1	KEY CHARGER PLUG SPS 28	FOR CHARGER MODEL NUMBER 40506A, 40507A AND 40505A
12	911185	1	CONNECTOR PLUG CHARGER GRAY	FOR CHARGER MODEL NUMBER 40506A, 40507A AND 40505A

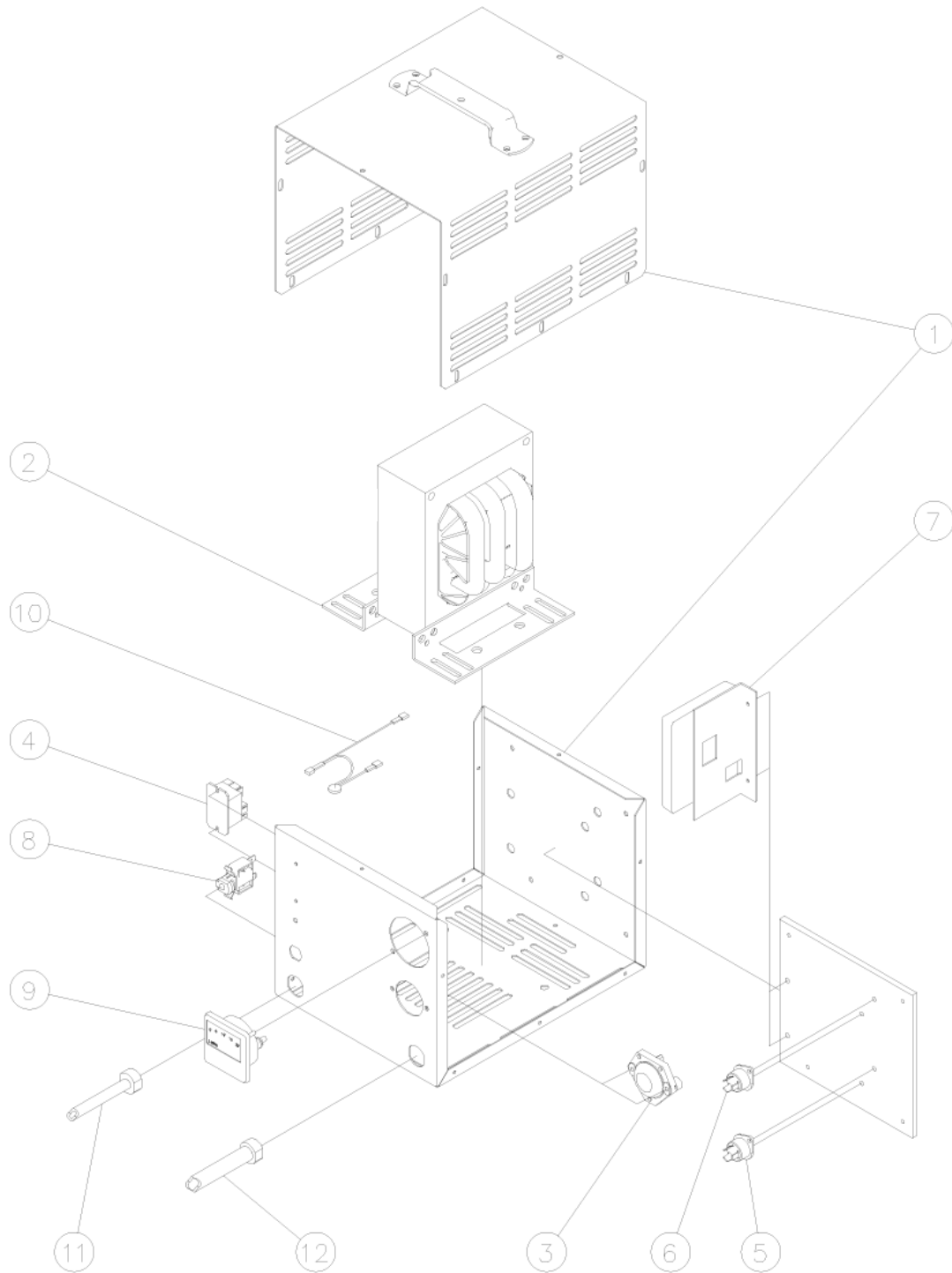
# Battery Charger

IMAGE 26B AND 26E

24-02-2015

Part List ID  
IMAGE26B12

30



REF NO.	DESCRIPTION	40512B 24V 25A	40506B 36V 25A
1	CASE ASSEMBLY		
2	TRANSFORMER ASSEMBLY		
3	FUSE ASSEMBLY	912382	912382
4	D.C. RELAY		
5	SCR ASSEMBLY, BLUE & BROWN WIRES		
6	SCR ASSEMBLY, VIOLET & WHITE WIRES	11085A	11086A
7	ELECTRONIC CONTROLLER ASSEMBLY		
8	A.C. CIRCUIT BREAKER		
9	AMMETER		
10	A.C. SURGE PROTECTION		
11	A.C. CORDSET, 5-15P PLUG AND BUSHING		
12	D.C. CORDSET, SB50 GRAY PLUG W/ KEY		

# Battery Charger

IMAGE 26B AND 26E

24-02-2015

Part List ID  
IMAGE26B12

31

Pos	Part no.	Qty	Description
3	912382	1	FUSE ASS Y 832415 4
4	11085A	1	ELECTRONIC REPAIR KIT 40512B
4	11086A	1	ELECTRONIC REPAIR KIT 40506B

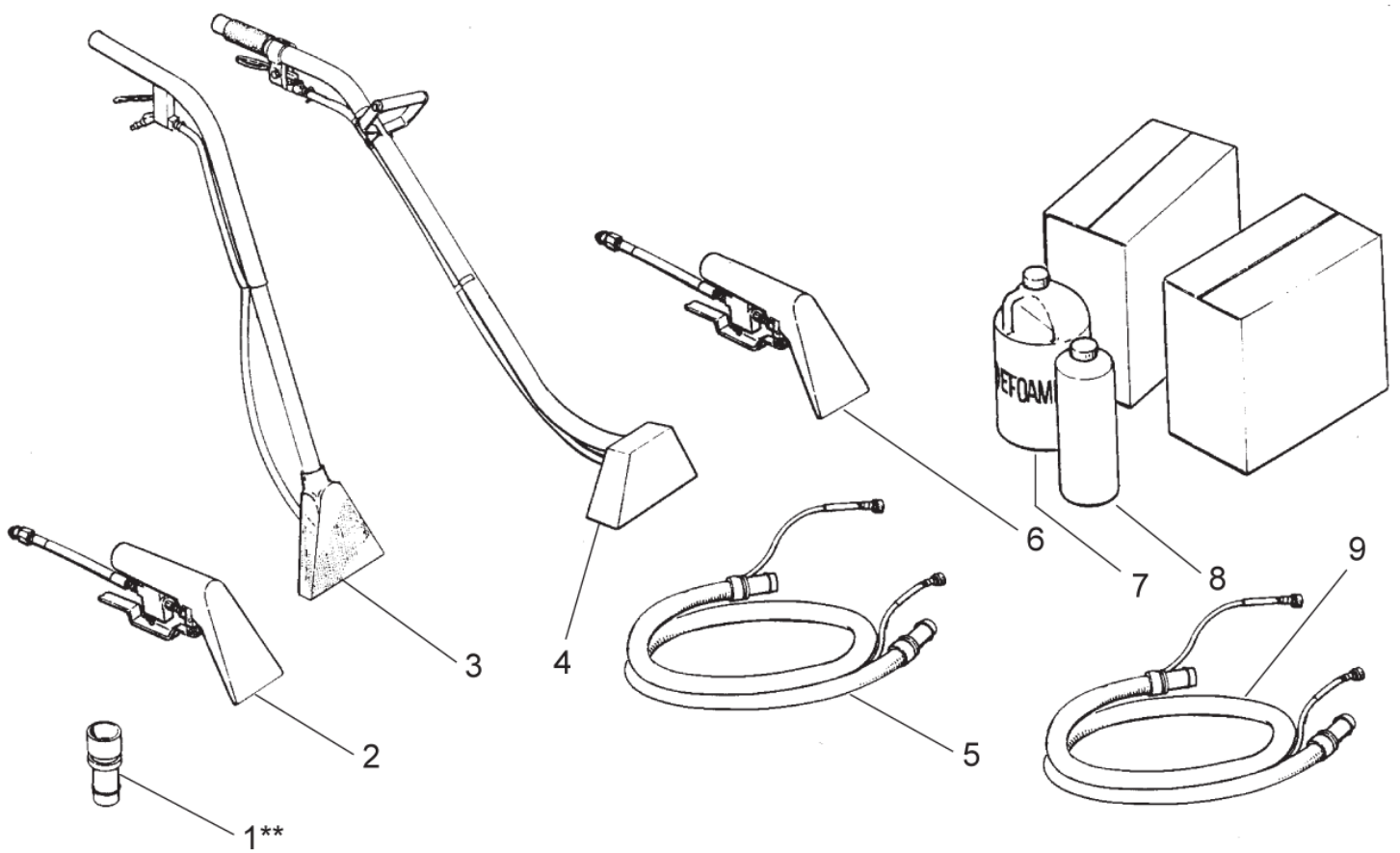
# Available Accessories

IMAGE 26B AND 26E

24-02-2015

Part List ID  
IMAGE26B13

32





# Available Accessories

IMAGE 26B AND 26E

24-02-2015

Part List ID  
IMAGE26B13

33

Pos	Part no.	Qty	Description
1	30108A	1	ADAPTER 1 1/2 HOSE
2	56220109	1	HAND TOOL
3	59230A	1	TOOLFLOOR WANDPLASTIC 8
4	59229A	1	TOOLFLOOR METAL 12
5	59232A	1	HOSE ASSYVAC-SOL 10
6	59228A	1	TOOLHAND 4 METAL
7	398426	1	CLARKCARE CASE 4 GAL D/F
8	398425	1	CLARKKARE CONC CASE 4 GAL
9	55183A	1	HOSE ASSYVAC SOL 20FT.
NI	55173A	1	TOOL AND HOSE ASSY HAND 4

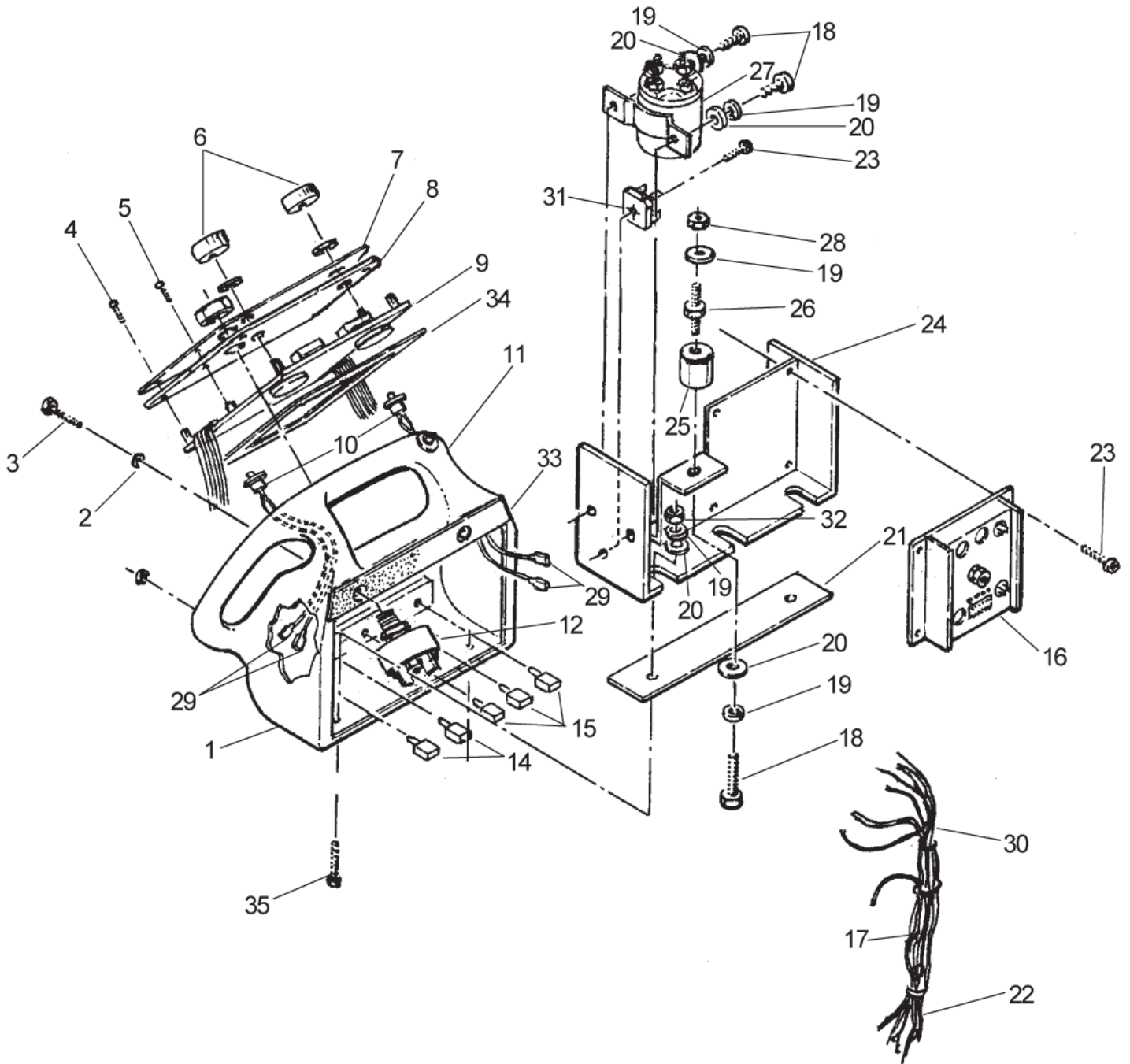
# Recovery Tank and Hose Assembly

IMAGE 26B AND 26E

24-02-2015

Part List ID  
IMAGE26E01

34



# Recovery Tank and Hose Assembly

IMAGE 26B AND 26E

24-02-2015

Part List ID  
IMAGE26E01

35

Pos	Part no.	Qty	Description
1	58069A	1	SCREEN VAC FILTER ENCORE 20
2	39339B	1	TUBE STAND 1 1/2 SPT X 7.00
3	962666	2	SCR 10 24X 3/4 PAN HEAD PHILL
4	36204C	1	LID RECOVERY
5	34265B	1	GASKET RECOVERY AUTOSCRUBBER
6	47419A	1	SWITCH FLOAT IMAGE 16
7	56459A	1	STRAIN RELIEF EXT-771 PBII
8	81110A	2	NUT HEX ELASTIC LOCK 10-24 S.S
10	30132A	1	ADAPTOR ASM. VACUUM ENCORE 20
11	51863A	1	CUFF HOSE 2 EXT 2100
12	30462A	1	HOSERECOVERY IMAGE 26E
13	872010	2	CLAMP HOSE
14	30449A	1	HOSE DRAIN ENCORE 28 38
15	832002	1	CLAMP NYLON HOSE
16	47708A	2	TERMINAL 1/4 FIMQD 22-18 GA.
17	82100A	1	LOCKNUT 1/2 CONDUIT
18	837304	2	O RING RETAINER PAPER BAG
19	58533A	3	SPACER VAC MOTOR 3 STG. SUMMI
20	643418	1	GASKET
21	44911R	1	MOTORVAC3 STG. EXT 2100
22	87026A	3	WASHER .250 FLAT SS
23	85728A	3	SCREW 1/4-20 X 4 HEX HD AUTOSC
24	962958	1	SCREW 8-18 X 1/2 PN
25	839401	1	VALVE-DRAIN
26	833407	1	GASKET-DRAIN
27	833901	1	HANDLE-DRAIN VALVE
28	962987	2	SCR 10 24X 3/8 PN ST TYP23
29	38020A	2	STRAP COVER ENCORE 28-38
30	920797	1	NUT DRAIN VALVE LOCK 8131 935
31	59877A	1	WASHER 1/2 NPT SEALING
32	980603	1	WASHER LK 10 EXT TOOTHPLTD
33	198USP	1	HOSE CLAMP 48 3 1/2DIA 9
21A	40833A	2	BRUSH ASM. CARBON

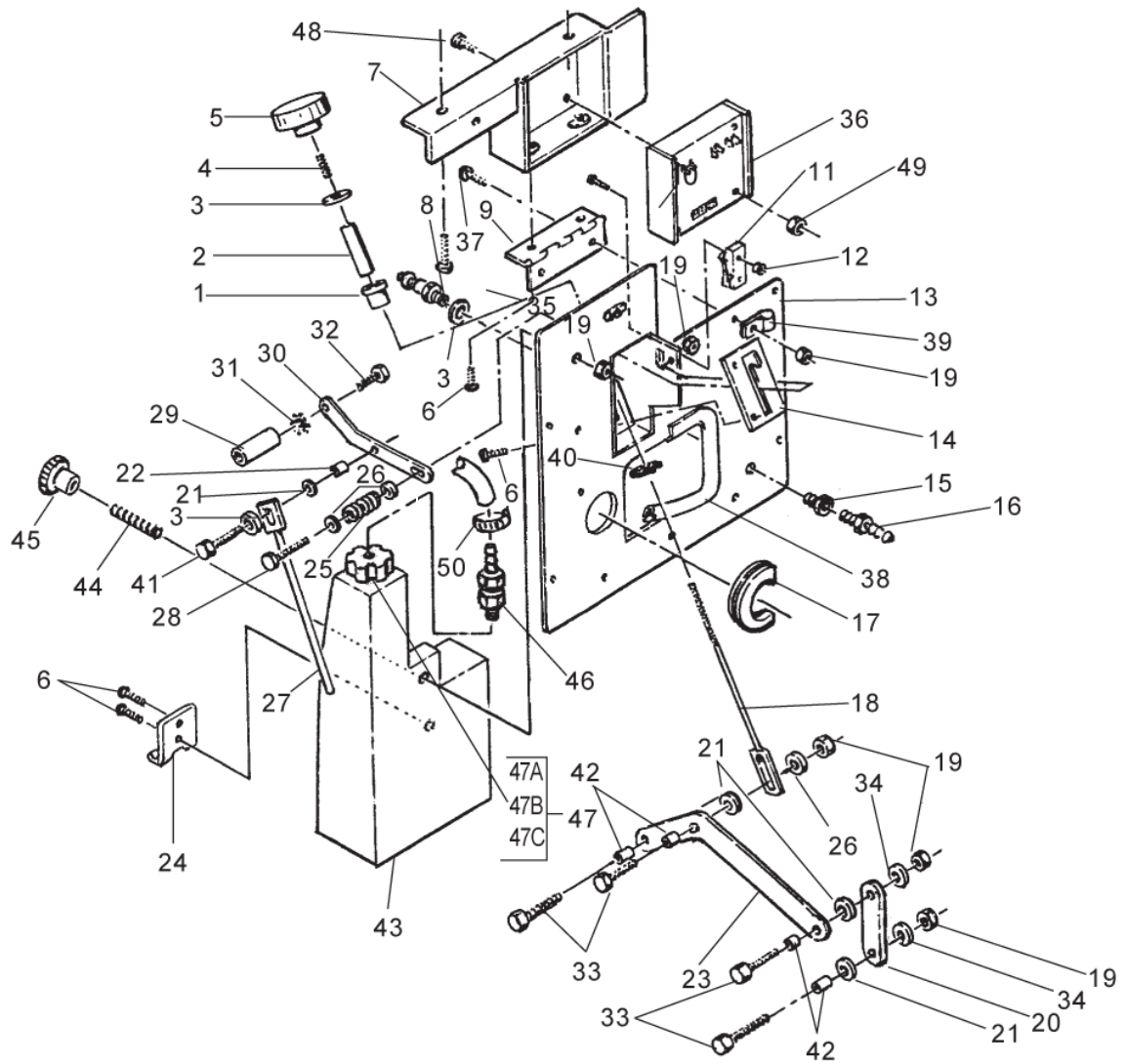
# Handle Assembly Drawing

IMAGE 26B AND 26E

24-02-2015

Part List ID  
IMAGE26E02

36



# Handle Assembly Drawing

IMAGE 26B AND 26E

24-02-2015

Part List ID  
IMAGE26E02

37

Pos	Part no.	Qty	Description
1	52504A	1	CONTROL VARIABLE SPEED FLOW
2	53077B	2	SWITCH PUSH BUTTON SPST NO
3	55502A	2	KNOB-SPEED CONTROL+TEMP CONTRL
4	44417A	1	METERBRSH PRESSURE IMAGE 26E
5	47316B	3	SWITCH ROCKERDPST
6	962968	5	SCREW 10-24 X 1/2 PAN
9	920200	2	NUTHEX 10-24 PLTD
10	980603	3	WASHER LK 10 EXT TOOTHPLTD
11	912059	1	TERMINAL BLOCK EXPORT 3 CIR
12	962979	4	SCREW 6-32X 1/2 PN ST PH
13	41805A	1	CONTACTOR WIRE 115V EXT2100
14	48416B	1	RELAY ISOLATION 115V EXT 2
15	85307A	1	SCREW 10 32X 5/8 PN ST PH
16	41159A	1	CONTROLMOTOR SPEED IMAGE 26E
17	98470A	1	PHILLIPS 10-32 x 1.0
18	46103A	1	RECTIFIER BRIDGE EXT 771/441
22	41430B	1	BREAKER CIRCUIT 1.5A QD .25 ST
23	40011B	1	BREAKERCIRCUIT3AQD.25STR
24	912201	1	FUSE HOLDER 115V
25	42911A	1	FUSE 1.25A 250V SLO BLO
26	41975A	1	CORDINTERCONNECT IMAGE 26E
27	912169	1	PLUG ELECTRICAL NEMA L5-15P
28	911461	1	CONNECTOR ELECT. NEMA L5-15R
29	42180A	1	CORDPOWER LESS RECEPTACLE EXT
30	467504	1	STRAIN RELIEF EASTMAN 42
31	170870	1	WASHERFLAT7/8 SAEPLAIN
32	82100A	1	LOCKNUT 1/2 CONDUIT
33	85700A	3	SCR 1/4 -20X1 HX ST CAP
34	980646	3	WASHER 1/4 SAE FLAT PLTD
35	980645	2	WASHER 3/8 FLAT SAE
36	81102A	3	NUT STOP ELASTIC 1/4-20 HEX
37	45702A	1	POTENTIOMETER ASM 5K
38	85303A	4	SCREW 8-32 X 3/8 PN ST PH
39	962522	2	SCR 3/8 -16X2 HX ST CAP
40	47905A	4	TERMINAL1/4 FIMQD 16 14 GA.
41	962929	1	SCREW 10-32X 3/8 BD SS PH
42	30032A	1	GASKETCONTROL PANEL
43	30033A	1	GASKETHANDLE

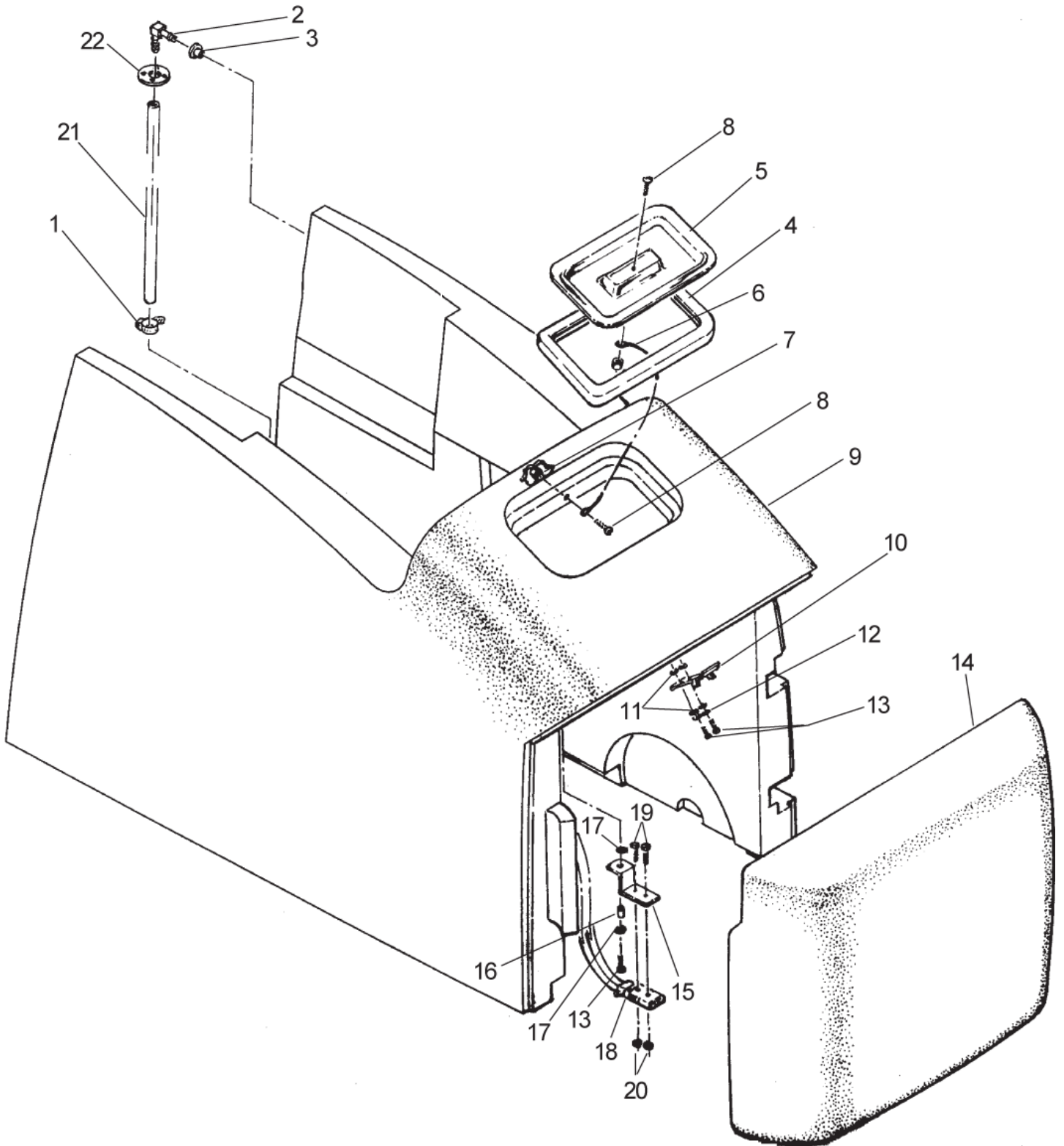
# Rear Panel Assembly Drawing

IMAGE 26B AND 26E

24-02-2015

Part List ID  
IMAGE26E03

38



# Rear Panel Assembly Drawing

IMAGE 26B AND 26E

24-02-2015

Part List ID  
IMAGE26E03

39

Pos	Part no.	Qty	Description
2	61685A	1	CONTROLBRUSH HEIGHT IMAGE 26
3	55537A	1	KNOB HEAD PRESSURE FUSION
4	86207A	1	SCREWSET3/8-16 X 1-1/2 S.H.
5	81102A	2	NUT STOP ELASTIC 1/4-20 HEX
6	66254A	1	PLATE WLDMNTWEAR PNTD
7	980692	2	WASHER 5/16 FLAT SS
8	80028A	1	BOLT SHOULDER 5/16 X 1
9	438360	1	SPRING-ADJUSTER LIFT
10	51535A	1	BUSHING 5/8 NOM. IMAGE 26E
11	68794A	1	COVERREAR WLDMNT PNTD
13	53050A	1	STRAINER BOWL100X100MESH LOW
14	61271A	1	BRACKETFILTER
15	732870	2	ELBOW 3/8 BARB TO 1/4 MPT
16	50248A	3	CLAMP 3/8 HOSE
17	30425A	1	HOSE AIR 3/8 I.D. X 5/8 O.D.
18	80062A	1	NUT5/16 18 LHZINC PLTD STL
19	608210	1	SPACER-HANDLE BOLT
20	64490A	1	HANDLE SQUEEGEE LIFT VISION
21	980666	1	WASHER 3/8 EXT. STAR
22	85389A	1	SCR 3/8 16X 5/8 PN SY
23	64906A	1	HANDLEREC. TOOL LIFT IMAGE26B
25	737140	1	QUICK DISCONNECT 7809 915 1/8
26	962430	1	SCR 1/4 -20X 1/2 HX ST MACH
27	55167A	1	HOSEBARB 3/8H X 1/4 NPT FEMALE
28	170040	1	ELBOW STREET 1/4 90 DEG BRASS
29	697501	1	REDUCER-1/4 NPT TO 1/8 NPT
30	65444A	1	LIFT WELDMENTBRUSH IMAGE 26E
31	85391A	4	SCR 1/4 20X 5/8 PN SY
32	980645	3	WASHER 3/8 FLAT SAE
33	836711	1	HAIRPIN FOR 8.0MM CLEVIS
34	65447A	1	LIFTWLDMT.REC. TOOL 26B
35	857345	1	RING RETAINING RO 42BP
36	60064A	1	BRACKETRETAINING IMAGE 26E
37	87618A	1	WASHER FLT .75X.39X.62 NYLON
38	51209A	1	PIN CHEMICAL JUG WASH RINSE
39	60491A	1	BRACKET CHEMICAL JUG
13A	50018A	1	BOWL CLEAR FILTER EXTRACTORS
13B	54369A	1	GASKETVITON FOR 53050A
13C	58061B	1	FILTER SCREEN

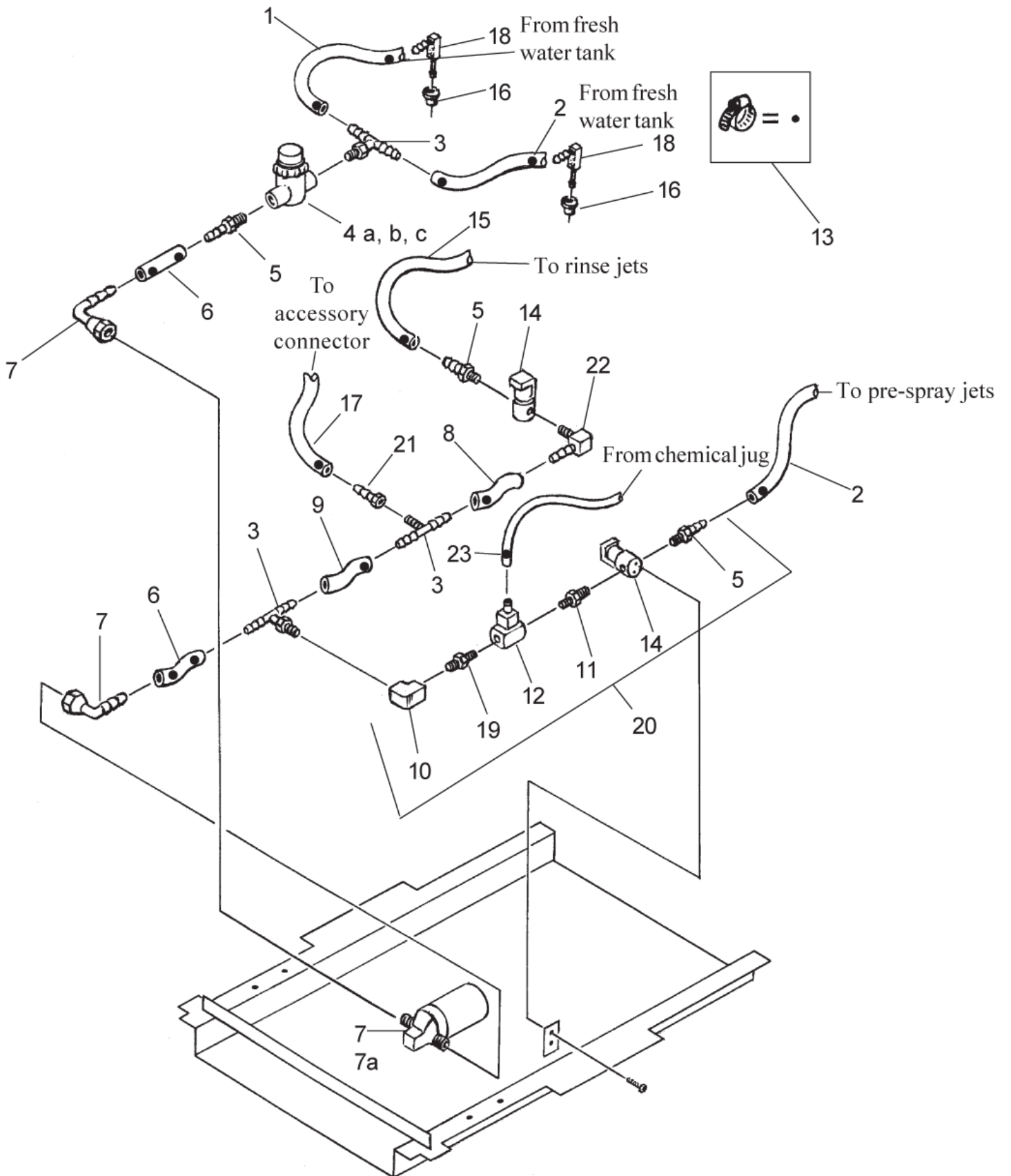
# Solution Tank Assembly

IMAGE 26B AND 26E

24-02-2015

Part List ID  
IMAGE26E04

40





# Solution Tank Assembly

IMAGE 26B AND 26E

24-02-2015

Part List ID  
IMAGE26E04

41

Pos	Part no.	Qty	Description
1	962666	1	SCR 10 24X 3/4 PAN HEAD PHILL
2	36200A	1	LID SOLUTION TANK AUTOSCRUBER
3	34266A	1	GASKET SOLUTION AUTOSCRUBER
4	38020A	1	STRAP COVER ENCORE 28-38
5	81110A	2	NUT HEX ELASTIC LOCK 10-24 S.S
6	38825A	1	TANK SOLUTION IMAGE 26E
7	51518A	1	BUSHING HOSE CONNECTOR
8	51526A	1	HOSEBARB 3/8 X 90 DEG
9	31242A	2	BUSHING FOR .62 OD CONNECTOR
10	30883A	2	CONNECTOR ELBOW
11	722030	1	CLAMP HOSE 6
12	34712A	1	HOSESOLUTION LEVEL IMAGE 26E
13	60218A	1	PLUG DRAIN
14	962798	1	SCR 10 24X 1/2 PN SS
15	50248A	1	CLAMP 3/8 HOSE

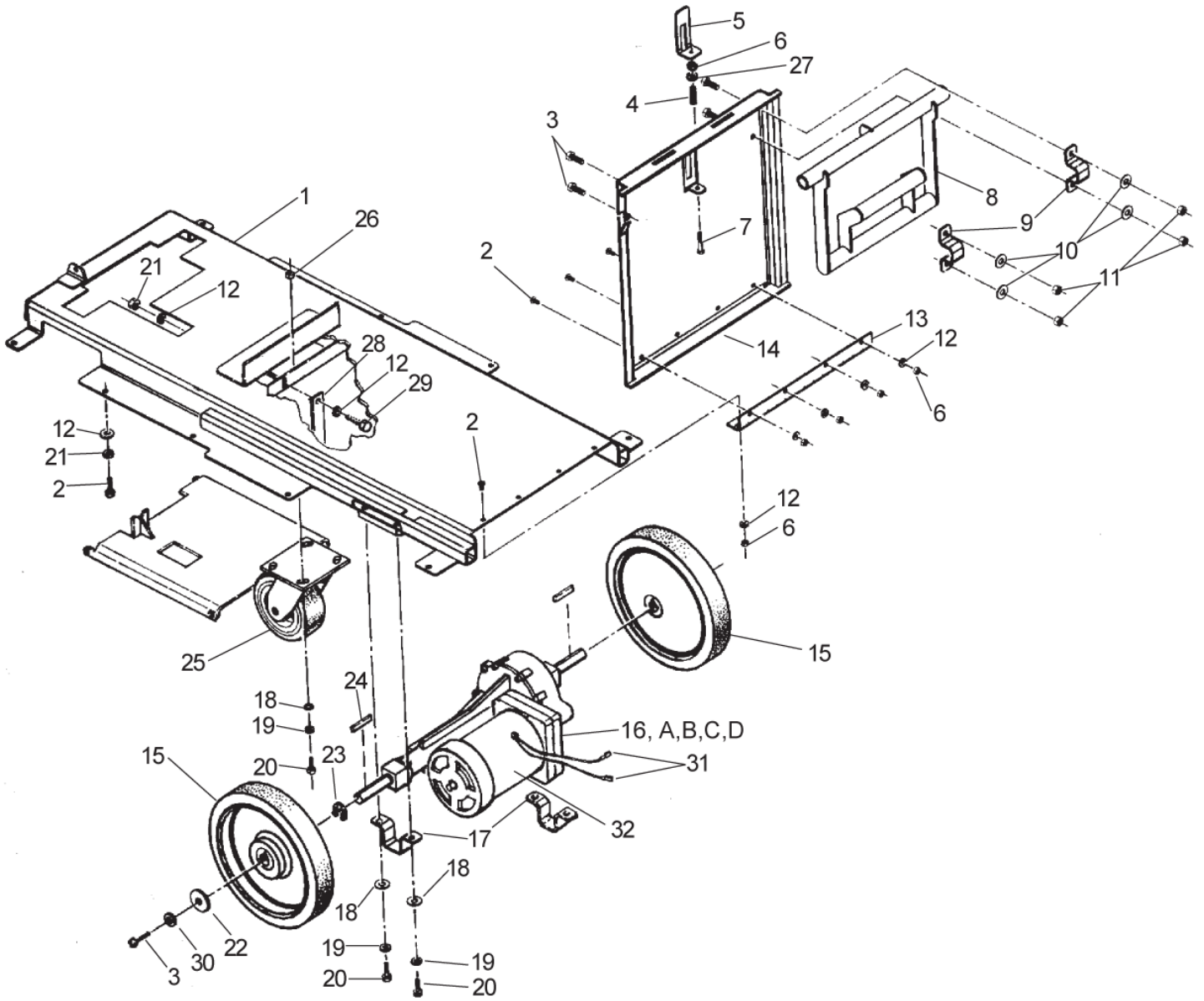
# Frame Assembly Drawing

24-02-2015

Part List ID  
IMAGE26E05

IMAGE 26B AND 26E

42



# Frame Assembly Drawing

IMAGE 26B AND 26E

24-02-2015

Part List ID  
IMAGE26E05

43

Pos	Part no.	Qty	Description
2	58708A	1	SPROCKETTRAVERSEDRIIVER 2100
3	915561	1	HP404 KEY HARDENED
4	44719A	1	MOTOR TRAVERSE EXT 2100
5	47905A	4	TERMINAL1/4 FIMQD 16 14 GA.
6	911933	2	TERMINALRING- 10 16-14 GAUGE
8	59622A	1	VALVESOLENOID IMAGE 26E
9	980645	16	WASHER 3/8 FLAT SAE
10	170883	14	WASHER LK 3/8 REGPLTD
11	85822A	8	SCREW 3/8-16 X 7/8 HX CAP G5
12	51321A	2	CASTER SWIVEL W/R
13	962794	4	SCREW 10-24X1 PN ST PH
14	980982	8	WASHER 10 SAE FLAT PLTD
15	45949A	1	PUMP 150 PSI IMAGE 26E
16	85806A	5	SCREW 1/4-20 X 3/4 HX SZ CAP
17	980646	10	WASHER 1/4 SAE FLAT PLTD
18	50249A	5	SPACERLINKAGE IMAGE 26E
19	60460A	1	ARMBRUSH LIFT IMAGE 26E
20	60462A	1	ARMBRUSH LIFT IMAGE 26E
21	60461A	1	ARMLIFT IMAGE 26E
22	81102A	5	NUT STOP ELASTIC 1/4-20 HEX
23	962027	4	SCREW 8 32 X 1/2 PAN HD
24	98470A	1	PHILLIPS 10-32 x 1.0
25	980603	3	WASHER LK 10 EXT TOOTHPLTD
26	920224	1	NUT-10X32 HEX
27	84237A	4	SCREW 10-32 X 1/2 PAN HD SS

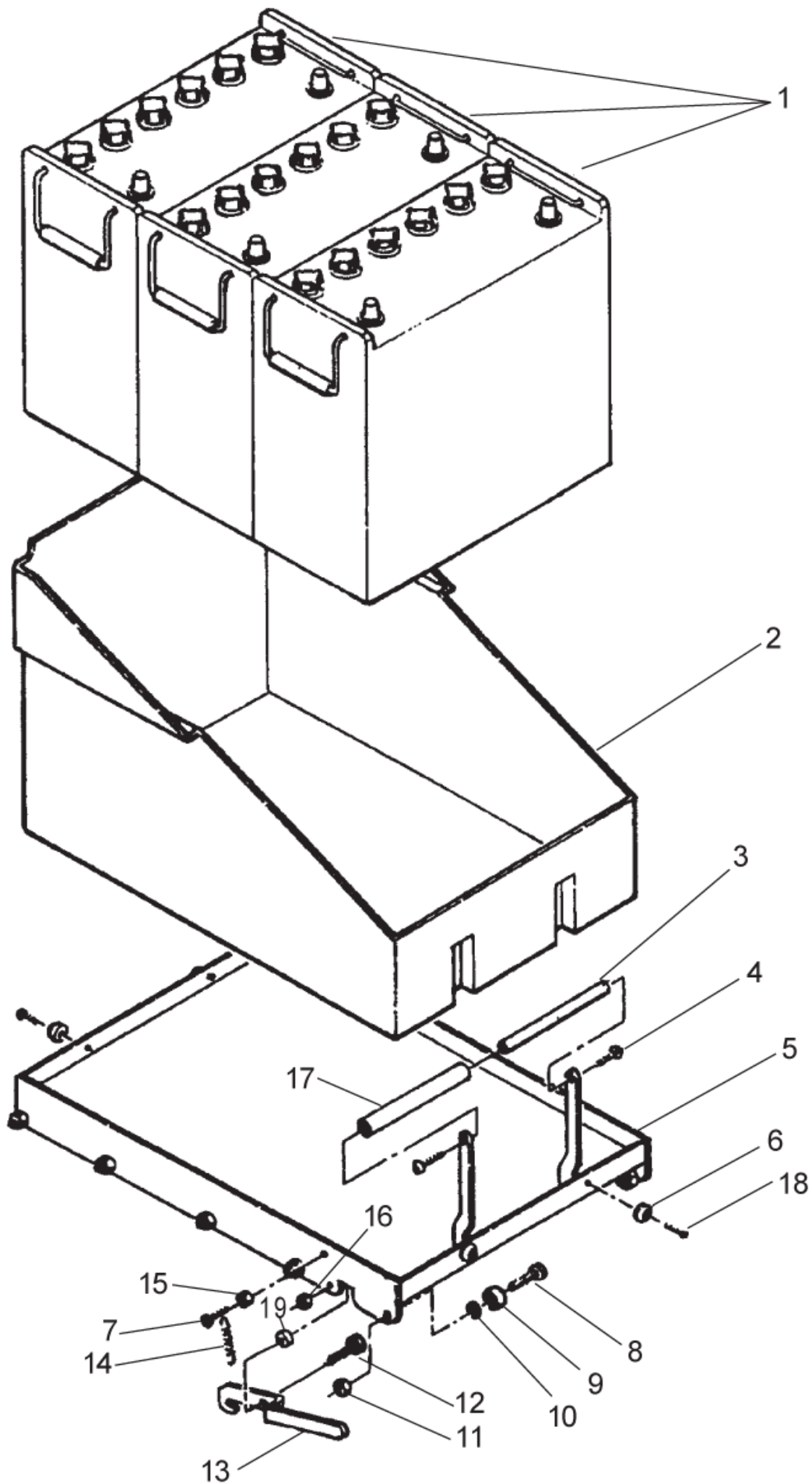
# Plumbing Detail Drawin

IMAGE 26B AND 26E

24-02-2015

Part List ID  
IMAGE26E06

44



# Plumbing Detail Drawin

IMAGE 26B AND 26E

24-02-2015

Part List ID  
IMAGE26E06

45

Pos	Part no.	Qty	Description
2	56382545	2	ELBOW 90 BARB MALE 3/8X3/8 NPT
3	51212A	1	TEE 3/8 NPT X 3/8 BARB
4	35147A	1	HOSESOL3/8X14EXT 771 SII
5	690209	1	HOSEBARB 3/8H X 1/8 NPT
6	51207A	1	INJECTOR CHEMICAL
7	851144	1	BUSHING 1/4TO1/8
8	59622A	1	VALVESOLENOID IMAGE 26E
9	732870	2	ELBOW 3/8 BARB TO 1/4 MPT
11	694116	1	HOSE INTAKE 925A
12	59016A	1	TEE BRANCH 1/4 X 3/8 NYLON
13	30425A	3	HOSE AIR 3/8 I.D. X 5/8 O.D.
14	10221A	1	INJECTOR ASM
15	722021	1	CLAMPHOSE 4
NI	50248A	8	CLAMP 3/8 HOSE

clamp for pos. 12 & 13

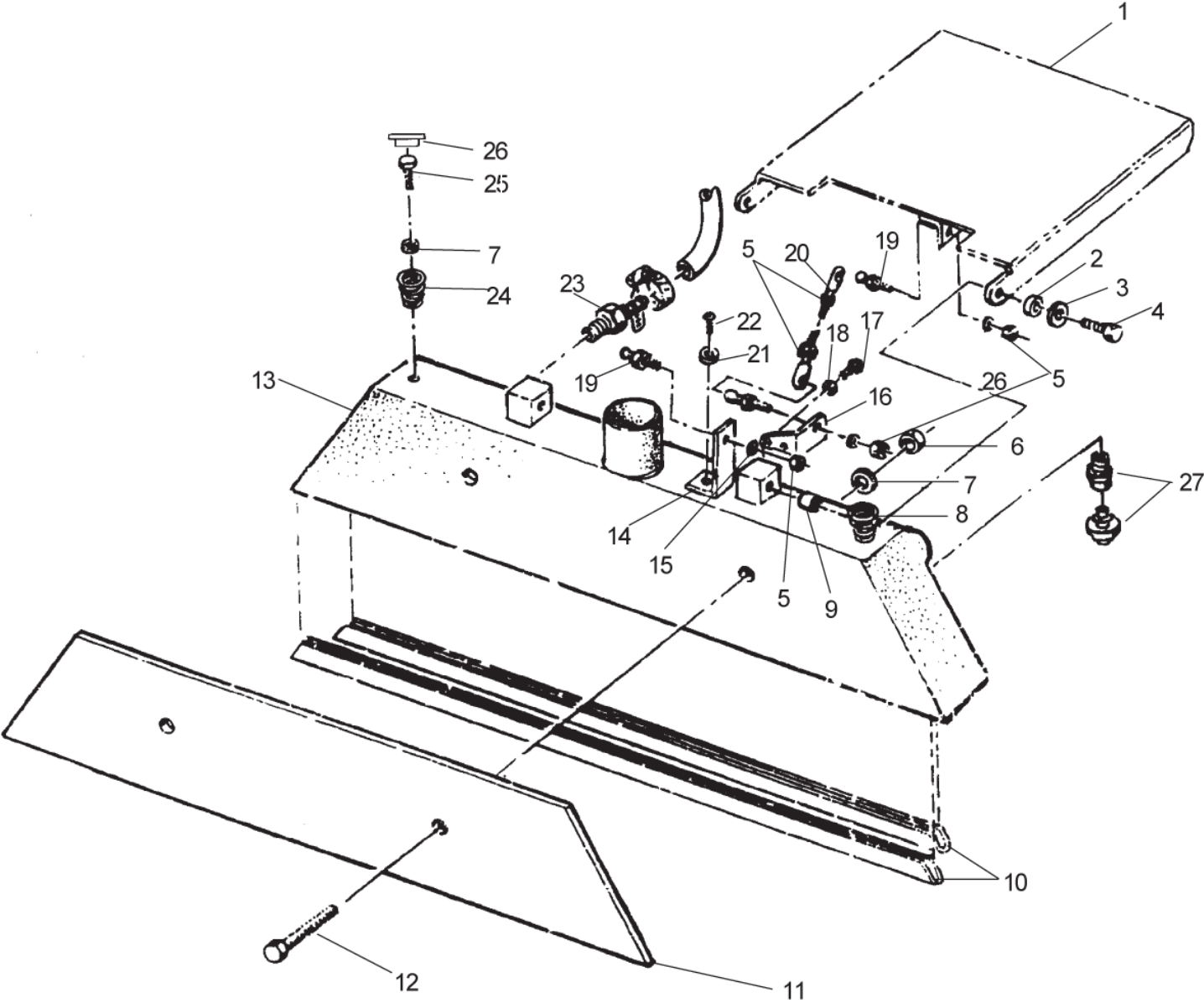
# Drive Assembly Drawing

IMAGE 26B AND 26E

24-02-2015

Part List ID  
IMAGE26E07

46



# Drive Assembly Drawing

IMAGE 26B AND 26E

24-02-2015

Part List ID  
IMAGE26E07

47

Pos	Part no.	Qty	Description
1	85804A	2	SCREW 1/4 20 X 1/2 HEX HD GRA
2	87058A	2	WASHERRETAINER IMAGE 26E
3	58111A	8	SEALOIL 0.750 X 0.999 X 0.125
4	50273A	2	WHEELDRIVE IMAGE 26E
5	51124A	2	BEARING-ROLLER CLUTCH
6	980679	2	WASHER 3/4 SAE FLAT PLTD
7	52495A	2	BEARING FLANGE 3/4 I.D.
8	58709A	1	SPROCKETTRAVERSE DRIVEN2100
9	55400A	1	KEY 3/16 X 5/32 HIPRO
10	67480A	1	SHAFTWHEEL IMAGE 26E
11	962481	4	SCR 1/4-20 X 1-1/4 HEX ST CAP
12	81102A	4	NUT STOP ELASTIC 1/4-20 HEX
13	50915A	1	BELTTRAVERSE DRIVEEXT 2100

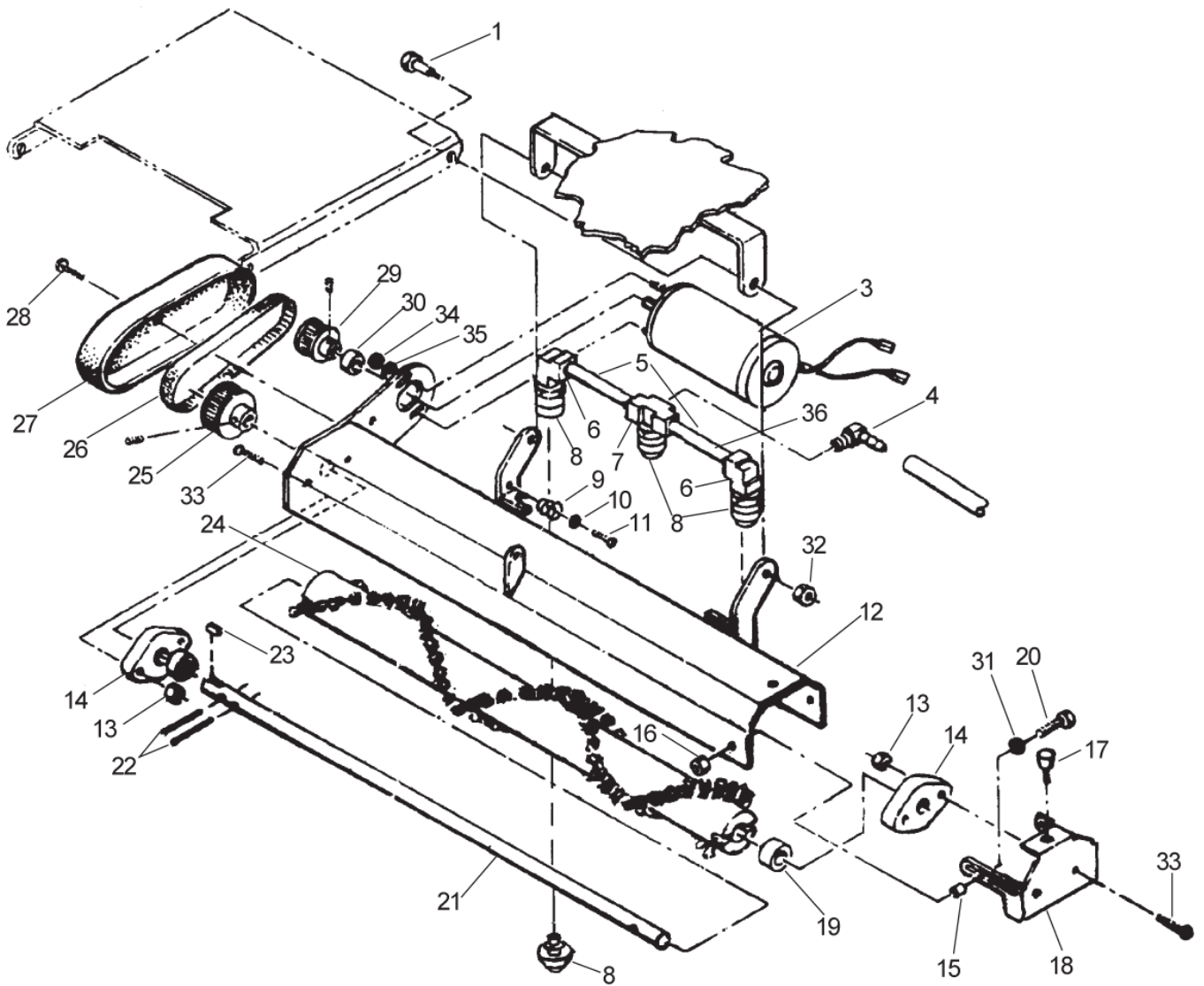
# Brush Assembly Drawing

IMAGE 26B AND 26E

24-02-2015

Part List ID  
IMAGE26E08

48





# Brush Assembly Drawing

IMAGE 26B AND 26E

24-02-2015

Part List ID  
IMAGE26E08

49

Pos	Part no.	Qty	Description
1	85391A	2	SCR 1/4 20X 5/8 PN SY
2	30029A	1	COVERBELT IMAGE 26B E
3	50928A	1	BELTBRUSH DRIVE IMAGE 26E
4	57268A	1	PULLEY TIMING 1/5 PITCH 16T
5	58517A	1	SPACERMOTOREXT 441/771 PB II
6	920224	2	NUT-10X32 HEX
7	980603	2	WASHER LK 10 EXT TOOTHPLTD
8	45041A	1	MOTORBRUSH 1/4HP IMAGE 20
9	47905A	2	TERMINAL1/4 FIMQD 16 14 GA.
10	732870	1	ELBOW 3/8 BARB TO 1/4 MPT
11	53639A	2	ELBOW PIPE 1/4 NPT X 90 DEG
12	51370A	3	NOZZLE PRE SPRAY
13	51369A	1	TEE PIPE 1/4
14	63436B	1	FRAME WLDMNT BRUSH
15	81102A	6	NUT STOP ELASTIC 1/4-20 HEX
16	53399A	2	BEARING 5/8 FLANGE ZINC
17	55518A	1	KNOB CLAMPING 1/4 20X1/2 STUD
18	85390A	4	SCR 1/4 20X1 1/4 PN SS
19	60089A	1	DOORBRUSH END IMAGE 26E B
20	38708A	1	SPACER 1.12ODX.63IDX.30THK
21	30166A	1	BRUSH W/R REST
21	30167A	1	BRUSH W/R MAINT
22	67481A	1	SHAFTBRUSH PIVOT IMAGE 26E
23	50436A	2	PIN BRUSH DRIVE EXT-2100
24	57247A	1	PULLEYBRUSH DRIVENEXT 2100
25	980646	6	WASHER 1/4 SAE FLAT PLTD
26	81109A	2	NUT HEX ELASTIC LOCK SS 8-32
27	56365A	2	NIPPLE 1/4 NPT 4.00 IMAGE 26E
28	980982	3	WASHER 10 SAE FLAT PLTD
29	962333	1	SCREW 10-32 X 1/4 PN ST PH
30	962027	2	SCREW 8 32 X 1/2 PAN HD
31	915082	1	KEY 3/16 X 3/16 X 3/4 LG
32	58548A	2	SPACERBRUSH DOOR IMAGE 26E
33	69715A	2	SPACER IMAGE 26E
34	53426A	1	SPRINGNOZZLE ASM IMAGE 26
36	66941A	2	RETAINER SKIRT BRUSH HSG
37	38219A	1	SKIRT BRUSH HSG EXT 2100
38	84237A	6	SCREW 10-32 X 1/2 PAN HD SS
39	85700A	2	SCR 1/4 -20X1 HX ST CAP
40	10220A	1	BAR ASM PRE SPRAY
41	50248A	1	CLAMP 3/8 HOSE
8A	40832A	2	BRUSHCARBON 2PER
12A	52550A	3	NOZZLE PLASTIC PRE SPRAY

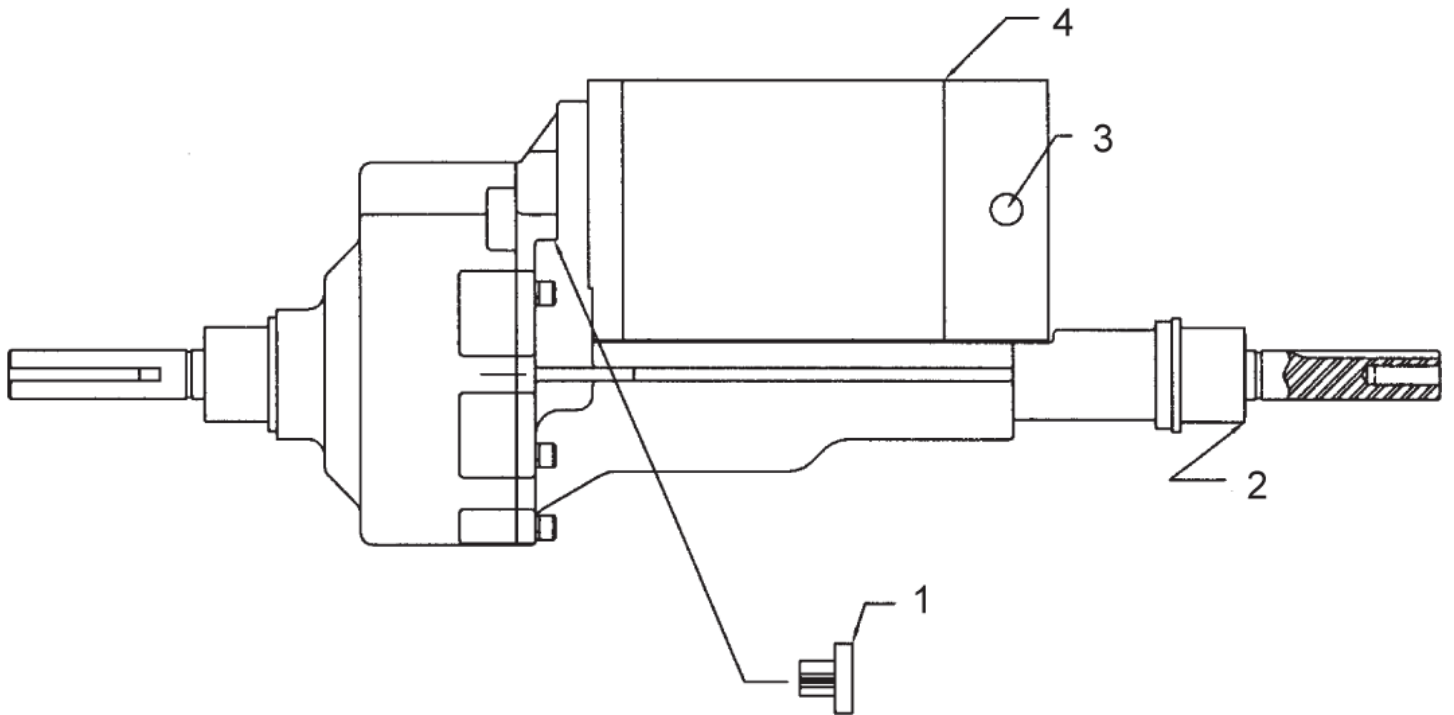
# Recovery Tool Assembly Drawing

IMAGE 26B AND 26E

24-02-2015

Part List ID  
IMAGE26E09

50



# Recovery Tool Assembly Drawing

IMAGE 26B AND 26E

24-02-2015

Part List ID  
IMAGE26E09

51

Pos	Part no.	Qty	Description
1	67479A	1	SHAFTRECOVERY TOOL PIVOT PLTD
2	63434A	1	LIFTRECOVERYWLDMNT PNTD
3	962086	2	SCR 1/4 -20X 3/4 HX ST CAP
4	81306A	4	NUT HEX JAM 5/16 24
5	67164A	1	RODRECOVERY TOOL ADJ. PLATED
6	87618A	2	WASHER FLT .75X.39X.62 NYLON
7	980982	4	WASHER 10 SAE FLAT PLTD
8	65980A	1	MOUNTBALL JOINT IMAGE 26B
9	920110	2	NUT LK 5/16-18 REGPLTD
11	51320A	4	NOZZLE RINSE IMG 26E W/R
12	608210	2	SPACER-HANDLE BOLT
13	50248A	1	CLAMP 3/8 HOSE
14	27201A	1	SHOERECOVERY PNTD IMAGE 26E
15	67619A	2	SHOE RECOVERY TOOL IMAGE 26E
16	68808A	2	WEIGHTRECOVERY TOOL PAINTED
17	85615A	2	PNPHBLACK OXIDE 5/16 18x1.50
18	732870	1	ELBOW 3/8 BARB TO 1/4 MPT
19	61541A	1	BRACKETREC. LIFT IMAGE 26B
20	980646	3	WASHER 1/4 SAE FLAT PLTD
21	50546A	3	BALL JOINT REC. TOOL EXT 210
22	962288	1	SCREW 3/8-16 X 1.0 HX ST CAP
23	980652	3	WASHER LK 5/16 REGPLTD
11A	52549A	4	NOZZLE PLASTIC RINSE

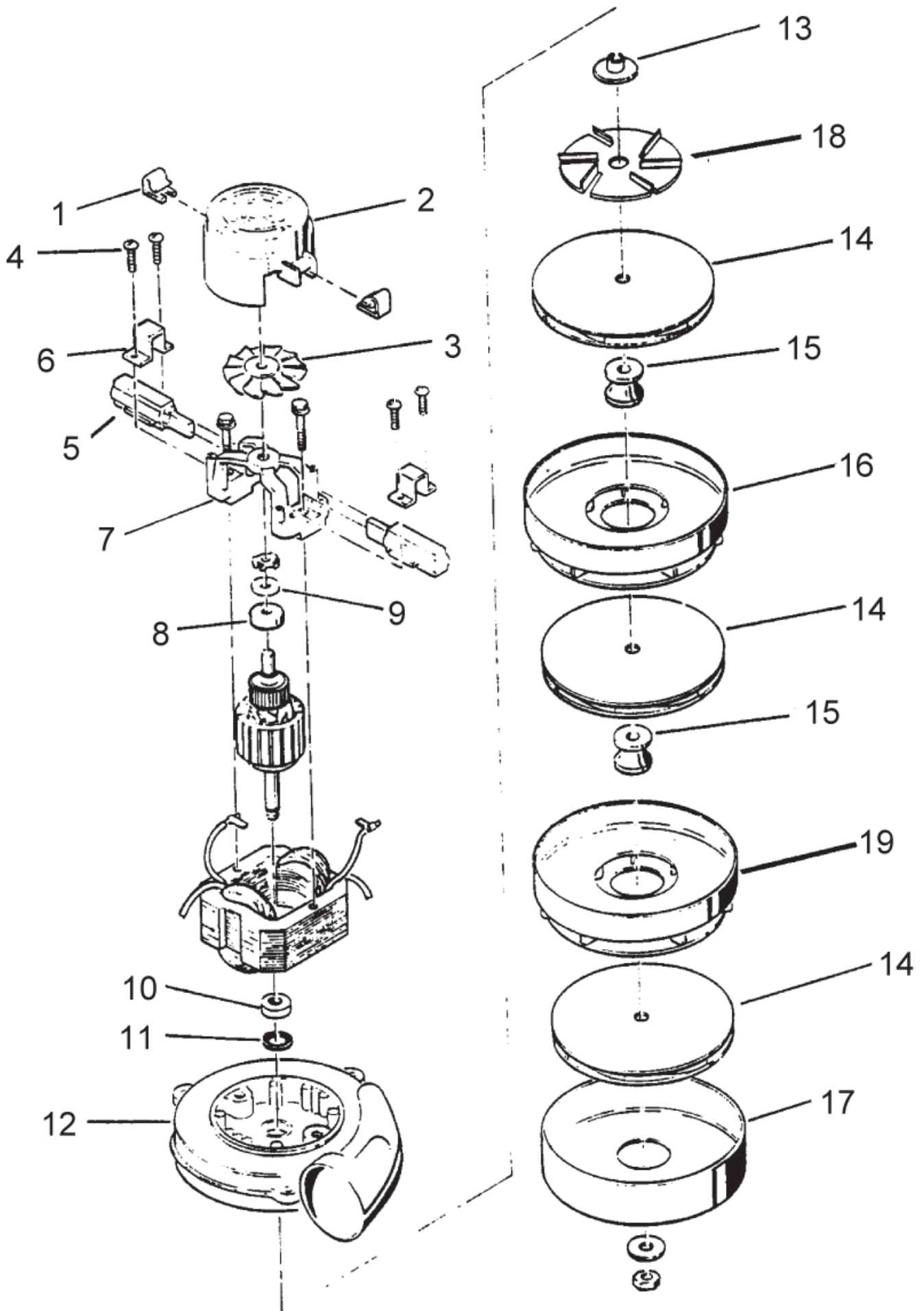
# Available Accessories

IMAGE 26B AND 26E

24-02-2015

Part List ID  
IMAGE26E10

52



# Available Accessories

IMAGE 26B AND 26E

24-02-2015

Part List ID  
IMAGE26E10

53

Pos	Part no.	Qty	Description
1	30108A	1	ADAPTER 1 1/2 HOSE
2	56220109	1	HAND TOOL
3	59230A	1	TOOLFLOOR WANDPLASTIC 8
4	59229A	1	TOOLFLOOR METAL 12
5	59232A	1	HOSE ASSYVAC-SOL 10
6	59228A	1	TOOLHAND 4 METAL
7	398426	1	CLARKCARE CASE 4 GAL D/F
8	398425	1	CLARKKARE CONC CASE 4 GAL
9	398427	1	CLARKCARE CASE 4 GAL T/L
10	55183A	1	HOSE ASSYVAC SOL 20FT.