

# KC1000P

---

Model:  
KC 1000 P



Stückliste Deutsch

13-02-2015

**Nilfisk**  
**ALTO**  
works for you

[www.nilfisk-alto.com](http://www.nilfisk-alto.com)

# Inhalt

KC1000P

<b>Hinterräder</b>	<b>3</b>
<b>Front wheel and steering</b>	<b>5</b>
<b>Oil tank</b>	<b>9</b>
<b>Main brush</b>	<b>13</b>
<b>Brushlifting arm</b>	<b>16</b>
<b>Side brush</b>	<b>18</b>
<b>Motor vibrator</b>	<b>20</b>
<b>Flap blocker</b>	<b>22</b>
<b>Seat</b>	<b>24</b>
<b>Front cabinet</b>	<b>26</b>
<b>Dashboard</b>	<b>28</b>
<b>Batterie und Bremspedal</b>	<b>30</b>

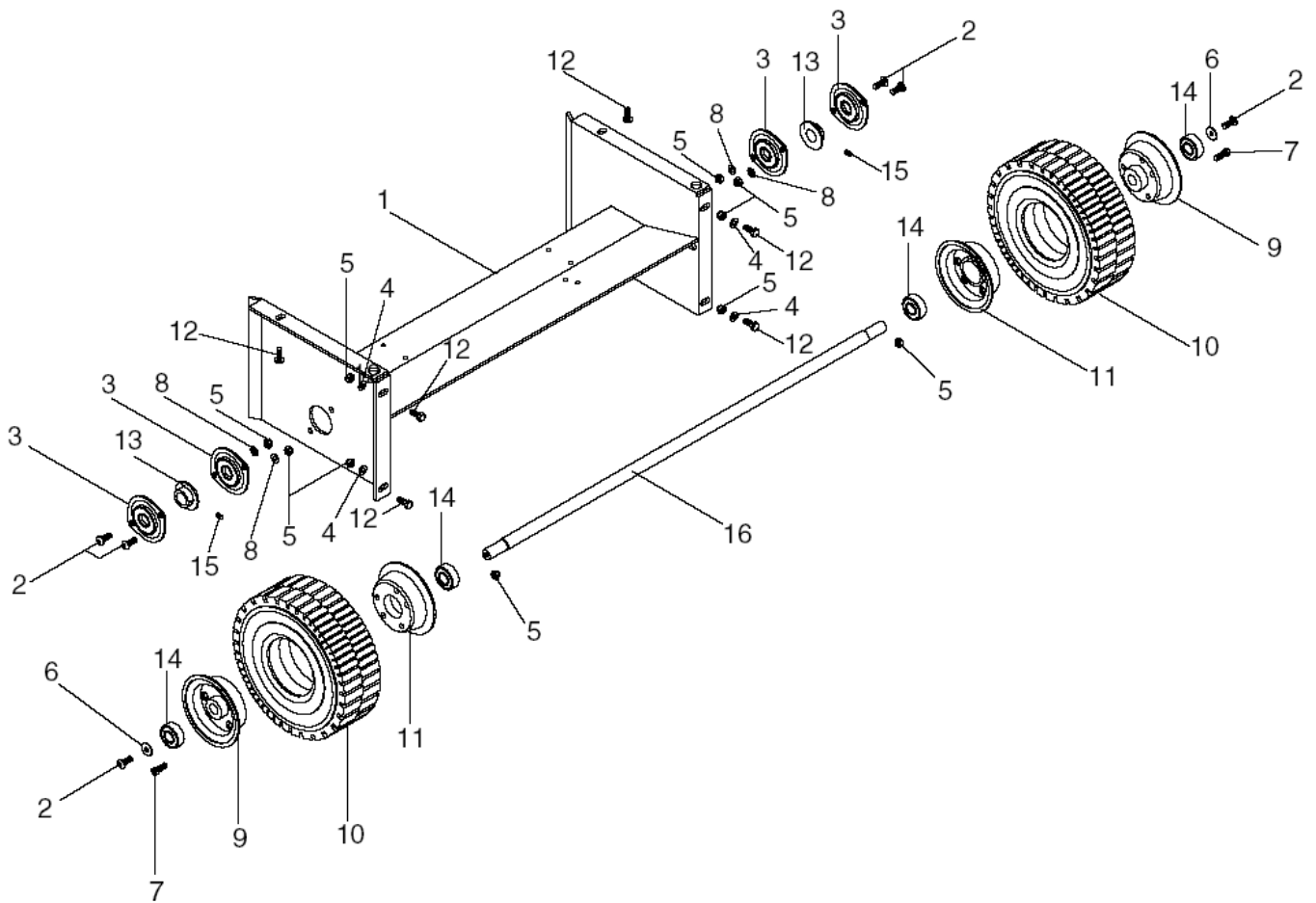
# Hinterräder

KC1000P

13-02-2015

ET-Liste-Nr.  
KC1000P02

3



# Hinterräder

KC1000P

13-02-2015

ET-Liste-Nr.  
KC1000P02

4

Pos	Artikelnr.	Me	Beschreibung
1	7114816	1	REAR SHAFT BEARER
2	7114144	6	Screw 8x22
3	7114320	4	Backside shaft bearing flange
4	7114113	4	Washer 8x17
6	7114149	2	Washer 8x32
7	1803337	15	Zylinderschraube DIN912-M8x25-12.9
8	7114191	9	Washer 8x14
9	7114757	2	Front wheel hub OUTER HUB
10	7114810	2	Backside tyres
11	7114718	2	Backside tyre outer hub INNER HUB
12	7114131	6	Screw 8x16
13	7114551	2	Shaft support back bracket
14	3200870	4	Lager
15	7114189	4	Dowel M 6x8
16	7114110	2	Screw 6x10

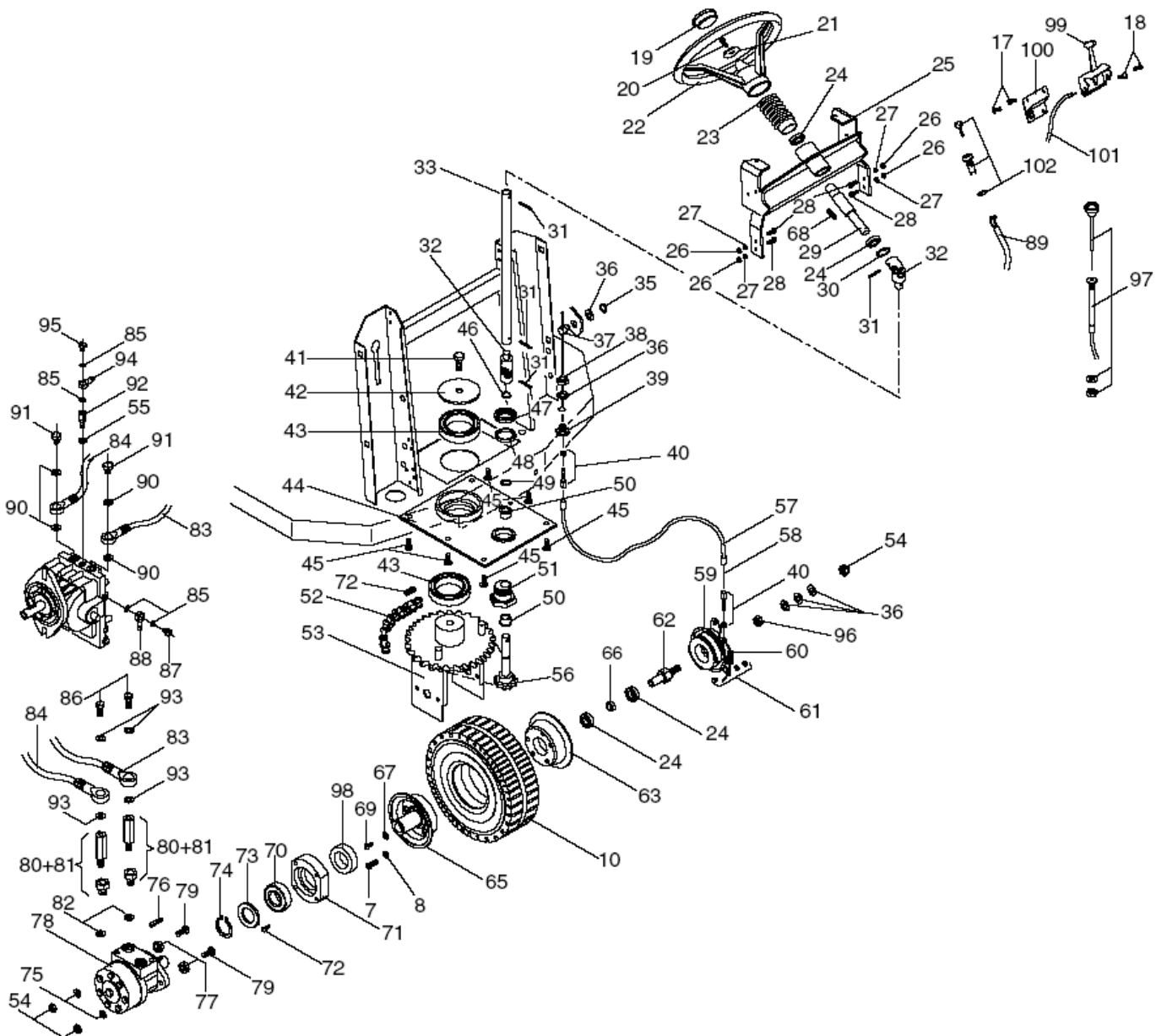
# Front wheel and steering

KC1000P

13-02-2015

ET-Liste-Nr.  
KC1000P04

5



# Front wheel and steering

KC1000P

13-02-2015

ET-Liste-Nr.  
KC1000P04

6

Pos	Artikelnr.	Me	Beschreibung
7	1803337	15	Zylinderschraube DIN912-M8x25-12.9
8	7114191	9	Washer 8x14
17	7114110	2	Screw 6x10
18	7114147	2	Screw 5x10
19	7114291	1	STEERING WHEEL CAP
20	7114166	1	Screw 6,3x19
21	7114183	1	WASHER 10X40
22	7114693	1	Steer
23	7114509	1	STEER DAMPER
24	7114482	4	Bearings 6202 2RS
25	7114769	1	DASHBOARD SUPPORT
26	1805399	4	Mutter M6 DIN 985 A
27	7114115	4	Washer 6x18
28	7114130	4	Screw 6x16
29	7114633	1	Steer shaft
30	7114221	1	Sicherungsring ø35
31	7114156	4	Elastic pin 5x25
32	7114724	2	Universal joint
33	7114585	1	Shaft
35	7114185	5	Outer snap ring ?12
36	7114137	3	Washer 12x24
37	7114352	1	Cable fixing piv ot
38	7114128	1	Locknut M12
39	7114388	1	Cable centering piv ot
40	7114275	2	Turned adjuster
41	7114195	1	Screw 16x20
42	7114536	1	Closing flange
43	7114652	2	Bearings 51112
44	7114749	1	Trasco joint blocking flange
46	7114167	1	Outer Snap Ring durchsch. 15
47	7114495	1	Ring nut M35x1,5
48	7115067	1	Spacer
49	7114173	1	Shim 15x22x0,5
50	7114335	2	Bushing
51	7114594	1	Bushing
52	7114752	1	Chain
53	7114807	1	Front wheel stand
54	7114180	3	Locknut M12
56	7114594	1	Bushing
57	7114368	1	Brake's cable sheath
58	7114370	1	Brake's cable
59	7114715	1	Brake
60	7114364	1	Brake spring

# Front wheel and steering

KC1000P

13-02-2015

ET-Liste-Nr.  
KC1000P04

7

Pos	Artikelnr.	Me	Beschreibung
61	7114265	1	Clamp
62	7114581	1	Pivot
63	7114728	1	Front wheel hub (Brake side)
64	7114810	1	Backside tyres
65	7114834	1	Front wheel hub
66	7114345	1	Spacer 8x16
67	7114138	1	Washer 8x24
68	7114209	1	Key 5x5x25
69	7114182	1	Screw
70	7114625	1	Bearing 6008 2RS
71	7114707	1	Wheel's bushing
72	7114121	4	Screw 8x25
73	7114535	1	6008 Spacer for bearings
74	7114202	1	Outer snap ring ? 40
75	7114137	2	Washer 12x24
76	7114235	1	KEY 8X7X32
77	7114316	2	HYDRAULIC MOTOR FIXING
78	7114867	1	Hydraulic motor
79	7114237	2	Screw 12x45
80	7114497	2	Pillar 3/8ää MF
81	7114497	2	Pillar 3/8ää MF
82	7114241	6	Copper washer ? 18
83	7114746	1	Complete hose 5/16ää   1510
84	7114744	1	Complete hose 5/16ää   1410
85	7114230	6	Copper washer ? 14
86	7114428	2	PIERCED SCREW 3/8
87	7114451	1	PIERCED SCREW 9/16 JIC
88	7114700	1	Oil sucking pipe
89	7114926	1	ELECTRIC PLANT
90	7114248	4	Copper washer ? 20
91	7114533	2	PIERCED SCREW 3/4 JIC
92	7114514	1	Oil sucking joint
93	7114229	1	Copper washer ? 12
94	7114691	1	Oil waste pipe
95	7114382	1	PIERCED SCREW M14X1.5
96	7114217	1	Thin nut M 12
97	7114614	1	Starter' sheathing + cable
98	7114475	1	Forward wheel' spacer
99	7114537	1	Accelerator
100	7114530	1	ACCELERATOR SUPPORT
101	7114490	1	Accelerator's cable + sheathin
102	7114742	1	Ignition key
103	7115334	1	Kettenschloß für Steuerkette

SEE POS.102A,102B,102C

# Front wheel and steering

KC1000P

13-02-2015

ET-Liste-Nr.  
KC1000P04

8

Pos	Artikelnr.	Me	Beschreibung
104	7115298	1	Zuendschlüssel
102a	7114836	2	COMPLETE BACK WHEEL
102b	7114838	1	Complete front whell
102c	7114868	1	FRONT ROTARY WHEEL GROUP



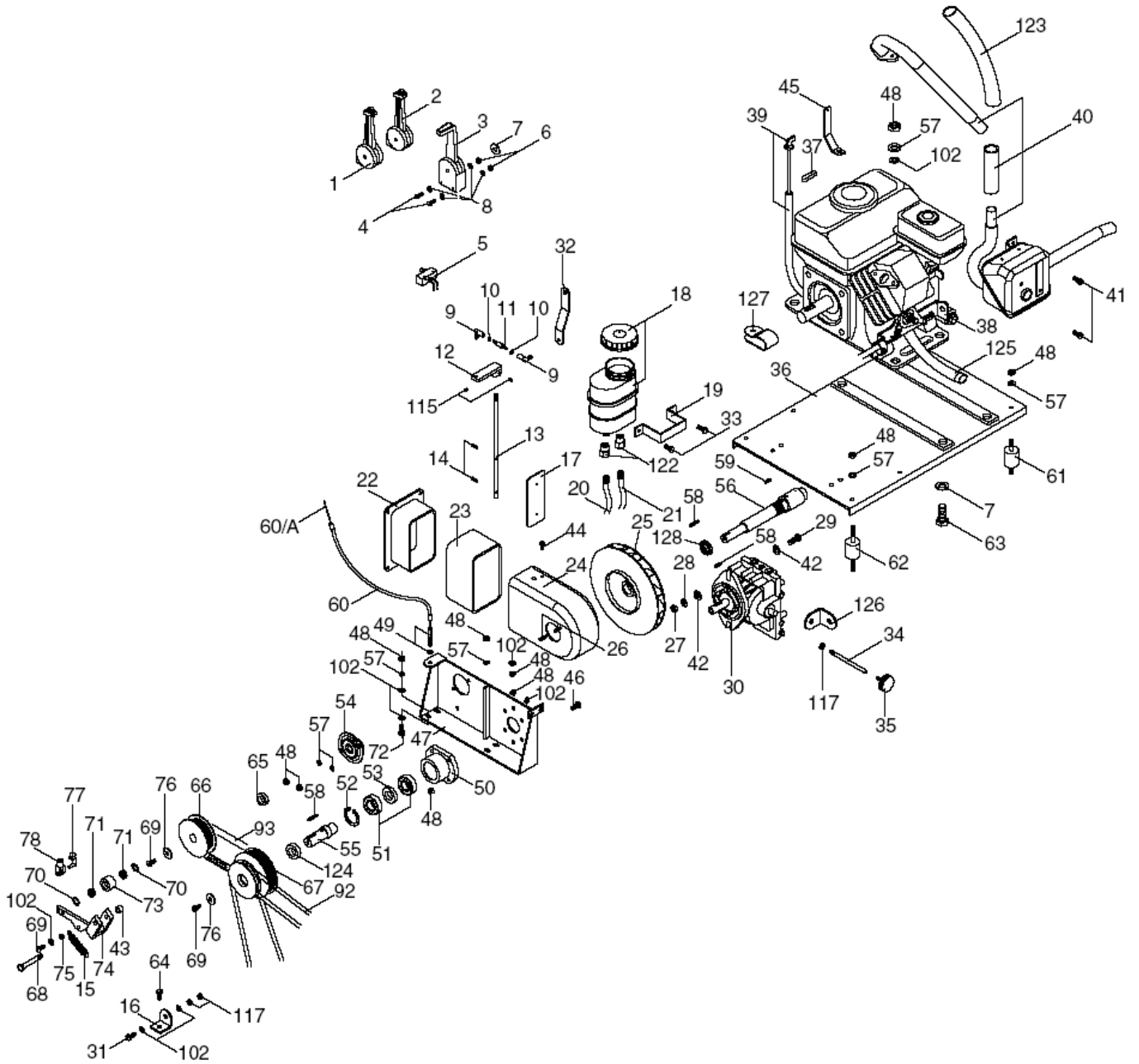
# Oil tank

KC1000P

13-02-2015

ET-Liste-Nr.  
KC1000P06

9



# Oil tank

KC1000P

13-02-2015

ET-Liste-Nr.  
KC1000P06

10

Pos	Artikelnr.	Me	Beschreibung
1	7114555	1	Right lever
2	7114556	1	Left lever
3	7114684	1	Hebel zur Bürstenverstellung
4	7114130	2	Screw 6x16
5	7114112	8	Washer 6x12
6	1805399	8	Mutter M6 DIN 985 A
7	7114138	7	Washer 8x24
8	7114708	1	Micro side brush
9	7114409	4	Toggle-joint
10	1800705	4	Mutter DIN934-M6-8
11	7114416	1	BUTTERFLY-JOINT PIVOT
12	7114558	1	BUTTERFLY OPENING ARM
13	7114703	1	BUTTERFLY-SHAFT
14	7114199	2	SCREW 5X10
15	7114387	1	Side arm Return spring
16	7114389	1	SPRING-FIXING BRACKET
17	7114498	1	VALVE FOR BUTTERFLY
18	7114722	1	Oil tank
19	7114512	1	TANK BLOCKING RING
20	7114700	1	Oil sucking pipe
21	7114691	1	Oil waste pipe
22	7114626	1	FLANGE
23	7114557	1	Volute gasket
24	7114760	1	VOLUTE
25	7114826	1	Fan
26	1803337	2	Zylinderschraube DIN912-M8x25-12.9
27	7114161	2	Nut M10
28	7114315	2	SPACER
29	7114201	2	SCREW 10X45
30	7114870	1	Pump
31	7114152	4	Dowel M 8x8
32	7114583	1	PUMP-RELEASING ARM
33	7114126	6	Nut M8
34	7114477	1	Machine-releasing piv ot
35	7114307	1	Handwheel V 7 ? 40 M8 x 13
36	7114751	1	MOTOR SUPPORT
37	7114967	1	HONDA MOTOR KEY
38	7114872	1	HONDA Motor GX 160
39	7114750	1	Oil rod
40	7114804	1	Complete muffler
41	7114166	2	Screw 6,3x19
42	7114137	4	Washer 12x24
43	7114799	1	Pneumatic cylinder

See pos. 43a,43b

# Oil tank

KC1000P

13-02-2015

ET-Liste-Nr.  
KC1000P06

11

Pos	Artikelnr.	Me	Beschreibung
44	7114429	1	Bracket
45	7114405	1	Oil level rod holding bracket
46	7114121	4	Screw 8x25
47	7114726	1	PUMP SUPPORT
49	7114275	1	Turned adjuster
50	7114815	1	Pump-fixing flange
51	7114464	2	Waelzlager 6005-2RS DIN625 Rillenkugel
52	7114203	1	Inner snap ring ? 47
53	7114437	1	Spacer
54	7114712	1	Support SBFL 204
55	7114650	1	Hydraulic pump' shaft
56	7114714	1	Fan'shaft
57	7114191	15	Washer 8x14
58	7114211	3	Key 6x6x30
58	7115339	1	Paßfeder 5x5x30
59	7114212	1	Key 6x6x15
60	7114357	1	Beltstrainer's roll sheathing
62	7114395	2	VIBRATIONS DAMPER 30X20 8
63	7114193	4	SCREW 8X50
64	7114166	1	Screw 6,3x19
65	7114351	1	SPACER
66	7114777	1	Pulley
67	7114805	1	Pulley
68	7114149	3	Washer 8x32
69	7114182	3	Screw
70	7114177	2	Inner snap ring ? 26
71	7114420	2	Rillenkugellager 6000-2RS
72	7114123	3	Screw 8x25
73	7114500	1	Beltstrainer's roll
74	7114699	1	Beltstrainer's roll's driving
75	7114255	1	BUSHING
76	7114244	1	Pivot M6 x 45
77	7114290	5	Fork clip M8
78	7114381	4	M8 fork
79	7114803	1	Kehrwalze Polypropylen PP - KC 1000
80	7114369	1	Brushlifting cable'sheathing
81	7114424	1	Brushlifter cable
82	7114425	1	Cable-adjusting pivot
83	7114129	1	Nut M7
84	7114408	2	Flange
85	7114188	1	Keil 5x5x20
86	7114725	1	Shaft
87	7114647	1	Brush holder lock

# Oil tank

KC1000P

13-02-2015

ET-Liste-Nr.  
KC1000P06

12

Pos	Artikelnr.	Me	Beschreibung	
88	7114144	4	Screw 8x22	
89	7114476	1	PULLEY FIXING PIVOT	
90	7114638	1	Pulley	
91	7114731	1	Transmission pulley	
92	7114739	3	Riemen 10 x 710	
93	7114658	1	Type belt POLY 660J 10V	
94	7114482	4	Bearings 6202 2RS	
95	7114221	5	Sicherungsring ø35	
96	7114167	3	Outer Snap Ring durchsch. 15	
97	7114216	1	Bushing	
98	7114496	1	Rocker spring	
99	7114272	1	HOOK FOR SPRING	
100	7114347	1	Adjusting bumper	
101	7114131	1	Screw 8x16	
102	7114113	16	Washer 8x17	
103	7114781	1	Rocker	
104	7114219	1	Key 6x6x25	
105	7114421	2	Bushing	
106	7114330	1	Bushing	
107	7114148	2	Scheibe 15 x 28	
108	7114164	1	Washer 21x37	
109	7114208	1	Outer snap ring ? 20	
111	7114312	1	Brush pressing spring	
112	7114597	1	BRUSH BLOCKER ARM	
113	7114564	1	Brushblocker arm blocker	HOLDER
114	7114105	2	SCREW 8X10	
115	7114124	1	SCREW 8X35	
116	7114383	1	BUTTERFLY OPENING DRIVING	
117	7114110	2	Screw 6x10	
118	7114256	1	Spacer	
119	7114135	1	SCREW 6X16	
120	7114405	1	Oil level rod holding bracket	
121	7114422	2	Stud 3/8" MF l=20	
122	7114407	1	PIVOT	
123	7114682	1	Muffler protection	
124	7114386	1	Spacer	
125	7114691	1	Oil waste pipe	
126	7114280	1	Halting bracket	
127	7114285	1	FIXING BRACKET	
128	7114924	1	KNURLED AUTOBLOCK M30 X 1	
43A	7115336	1	Pneumatikzylinder mit Schlauch	
43B	7115337	1	OIL TUBE 12CM	
60A	7114426	1	Beltstrainer's roll's cable	

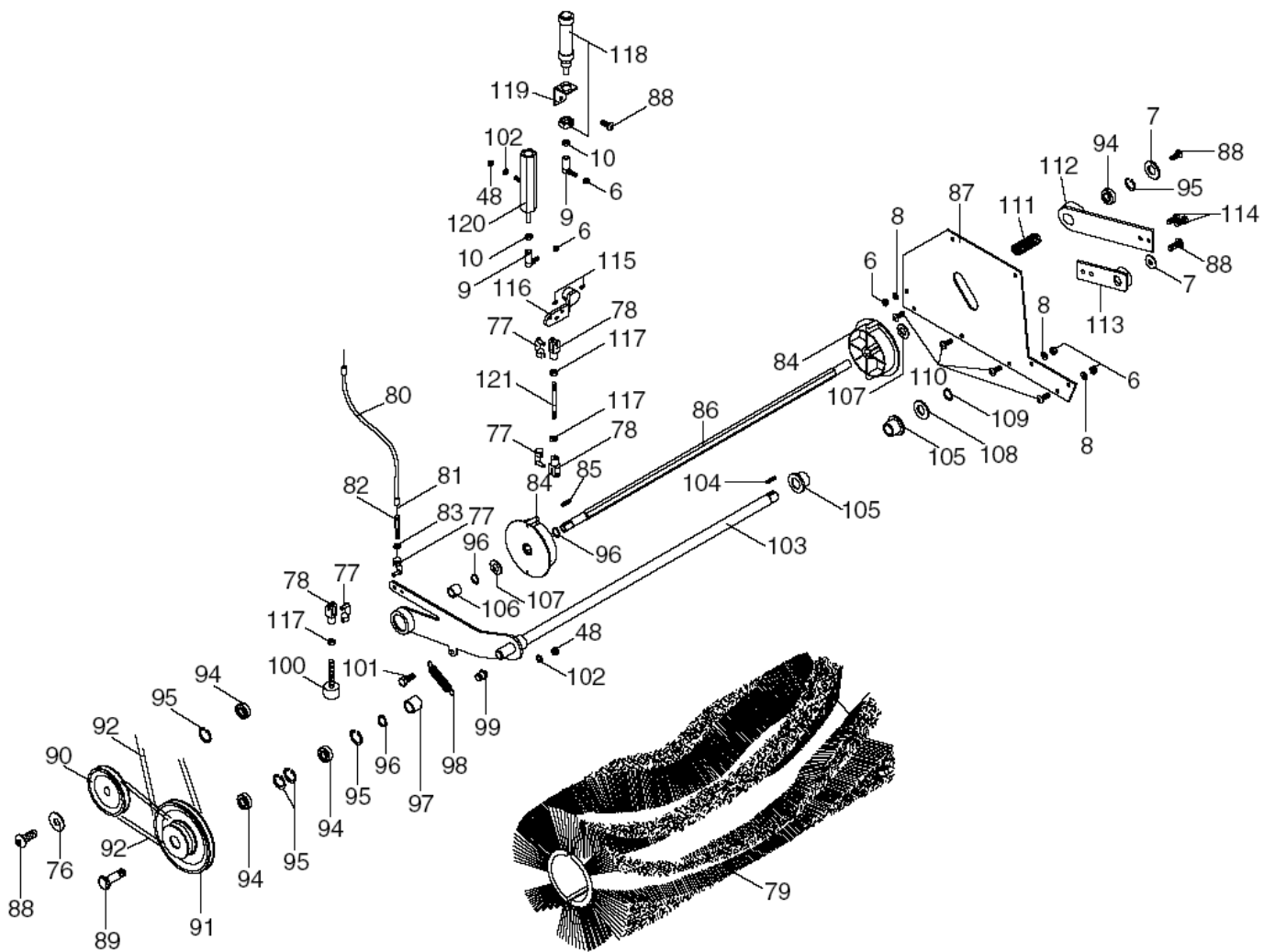
# Main brush

KC1000P

13-02-2015

ET-Liste-Nr.  
KC1000P08

13



# Main brush

KC1000P

13-02-2015

ET-Liste-Nr.  
KC1000P08

14

Pos	Artikelnr.	Me	Beschreibung
6	1805399	8	Mutter M6 DIN 985 A
7	7114138	7	Washer 8x24
8	7114708	1	Micro side brush
9	7114409	4	Toggle-joint
10	1800705	4	Mutter DIN934-M6-8
77	7114290	5	Fork clip M8
78	7114381	4	M8 fork
79	7114803	1	Kehrwalze Polypropylen PP - KC 1000
80	7114369	1	Brushlif ting cable'sheathing
81	7114424	1	Brushlif ter cable
82	7114425	1	Cable-adjusting piv ot
83	7114129	1	Nut M7
84	7114408	2	Flange
85	7114188	1	Keil 5x5x20
86	7114725	1	Shaft
87	7114647	1	Brush holder lock
88	7114144	4	Screw 8x22
89	7114476	1	PULLEY FIXING PIVOT
90	7114638	1	Pulley
91	7114731	1	Transmission pulley
92	7114739	3	Riemen 10 x 710
93	7114658	1	Type belt POLY 660J 10V
94	7114482	4	Bearings 6202 2RS
95	7114221	5	Sicherungsring ø35
96	7114167	3	Outer Snap Ring durchsch. 15
97	7114216	1	Bushing
98	7114496	1	Rocker spring
99	7114272	1	HOOK FOR SPRING
100	7114347	1	Adjusting bumper
101	7114131	1	Screw 8x16
102	7114113	16	Washer 8x17
103	7114781	1	Rocker
104	7114219	1	Key 6x6x25
105	7114421	2	Bushing
106	7114330	1	Bushing
107	7114148	2	Scheibe 15 x 28
108	7114164	1	Washer 21x37
109	7114208	1	Outer snap ring ? 20
111	7114312	1	Brush pressing spring
112	7114597	1	BRUSH BLOCKER ARM
113	7114564	1	Brushblocker arm blocker HOLDER
114	7114105	2	SCREW 8X10
115	7114152	1	Dowel M 8x8

# Main brush

KC1000P

13-02-2015

ET-Liste-Nr.  
KC1000P08

15

Pos	Artikelnr.	Me	Beschreibung
116	7114583	1	PUMP-RELEASING ARM
117	7114126	2	Nut M8
118	7114799	1	Pneumatic cy linder SEE POS. 118A,118B
119	7114429	1	Bracket
120	7114688	1	Complete stabilizing cy linder
121	7114407	2	PIVOT
118a	7115336	1	Pneumatikzy linder mit Schlauch
118b	7115337	1	OIL TUBE 12CM

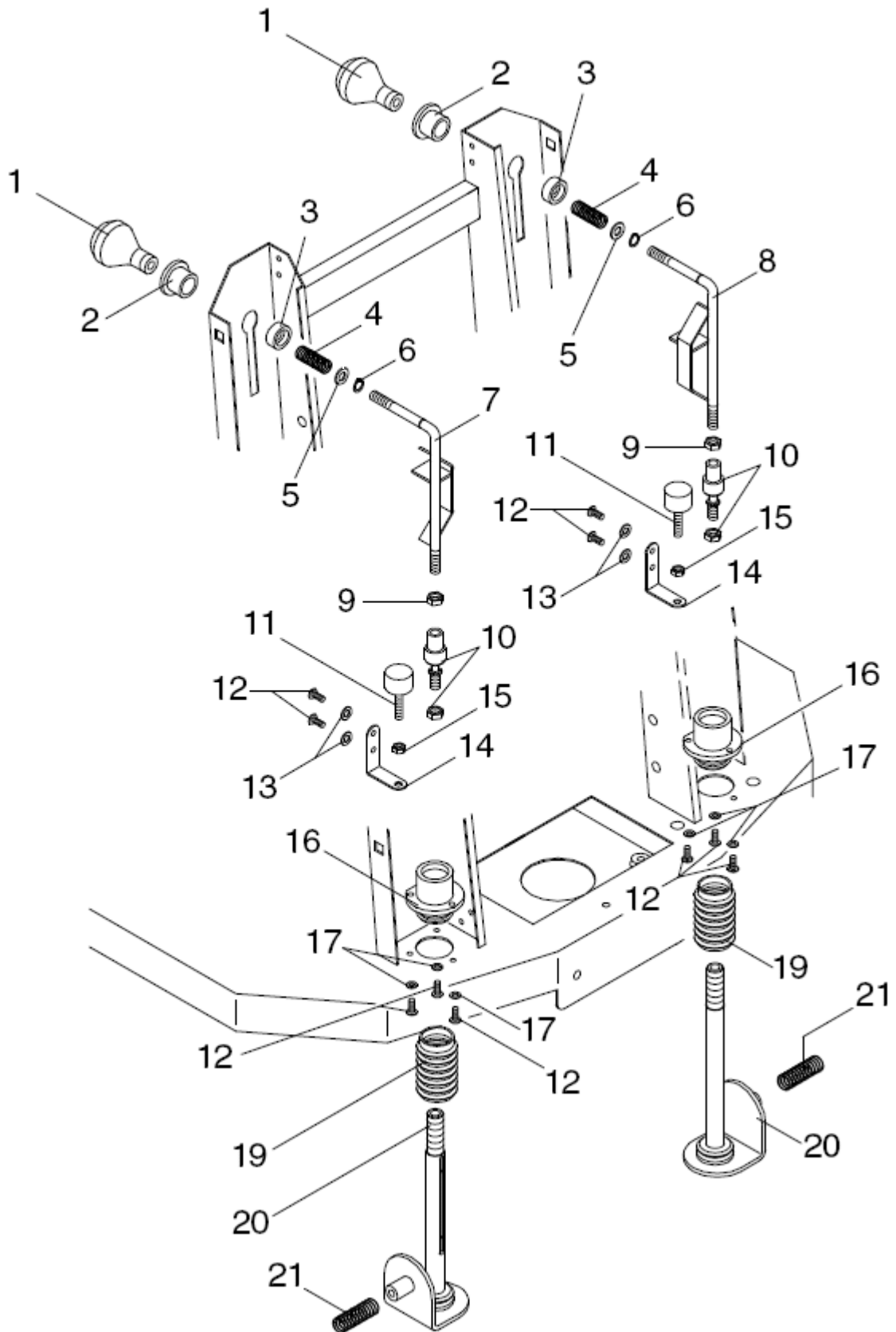
# Brushlifting arm

KC1000P

13-02-2015

ET-Liste-Nr.  
KC1000P10

16





# Brushlifting arm

KC1000P

13-02-2015

ET-Liste-Nr.  
KC1000P10

17

Pos	Artikelnr.	Me	Beschreibung
1	7114306	1	Knob
2	7114321	1	Bushing
3	7114326	1	Bushing
4	7114346	1	Spring
5	7114136	1	WASHER 10X21
6	7114168	1	OUTER SNAP RING Ø10
7	7114605	1	Brushrising arm
8	7114606	1	LEFT SIDE BRUSH LIFTING ARM
9	1800465	1	Mutter DIN934-M10x1-10
10	7114488	1	Axle joint M10
11	7114267	1	FOOT 20X9 M 6X18
12	7114135	5	SCREW 6X16
13	7114115	2	Washer 6x18
14	7114513	1	Side brush adjustment support
15	1800705	1	Mutter DIN934-M6-8
16	7114640	1	Support flange RH e LH
17	7114112	7	Washer 6x12
18	7114189	1	Dowel M 6x8
19	7114508	1	Brush' shaft damper
20	7114653	1	Side brush' shaft
21	7114312	1	Brush pressing spring

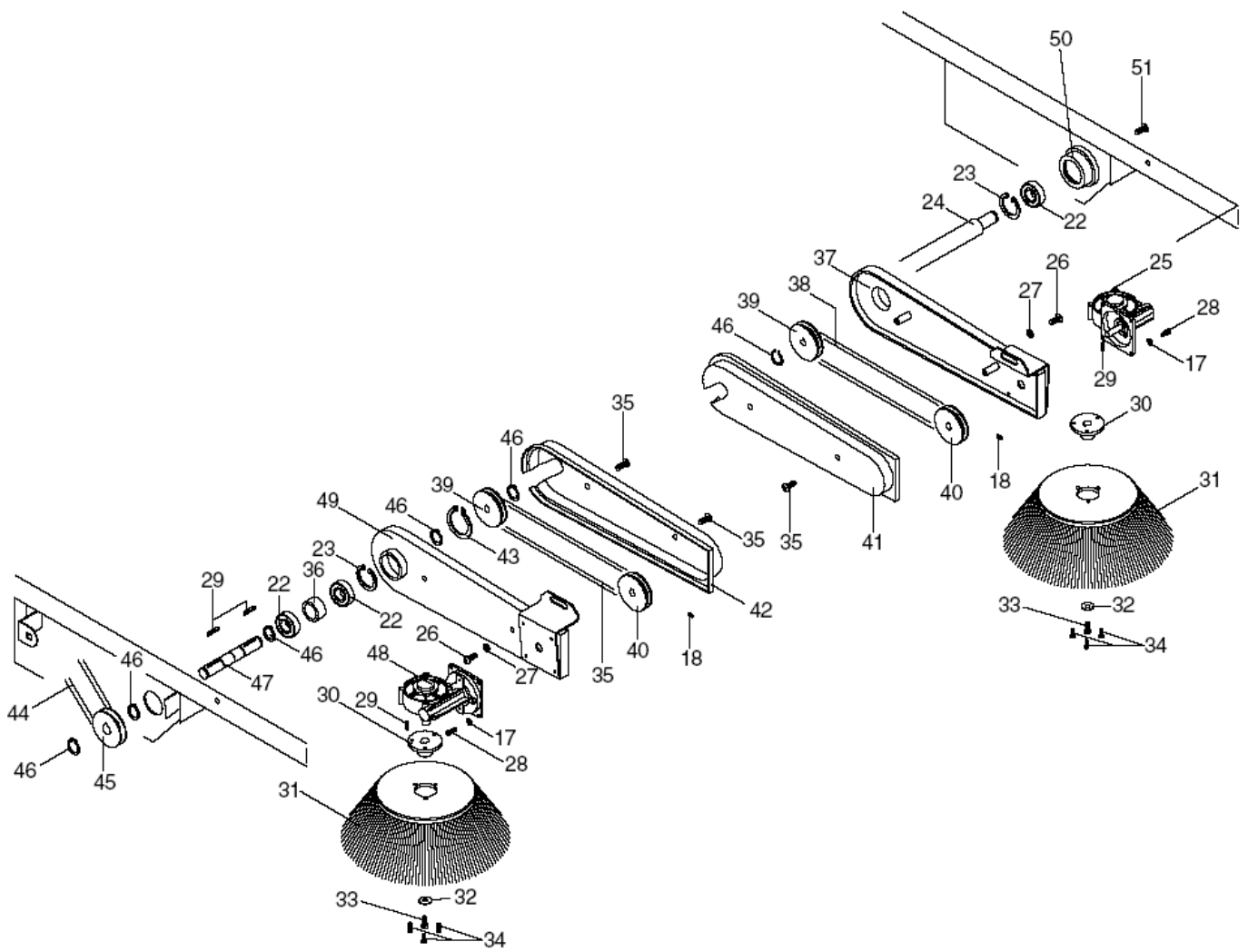
# Side brush

KC1000P

13-02-2015

ET-Liste-Nr.  
KC1000P12

18



# Side brush

KC1000P

13-02-2015

ET-Liste-Nr.  
KC1000P12

19

Pos	Artikelnr.	Me	Beschreibung
22	3200870	2	Lager
23	7114221	1	Sicherungsring ø35
24	7114738	1	Left side brush movement shaft
25	7114796	1	Side brush left reductor
26	7114182	1	Screw
27	7114138	1	Washer 8x24
28	7114146	4	Screw 6x20
29	7114188	3	Keil 5x5x20
30	7114580	1	Fixing flange
31	7114753	1	Seitenbesen Polypropylen - KC 1000 E/P
32	7114116	1	Scheibe 6 x 24
33	7114110	1	Screw 6x10
34	7114130	3	Screw 6x16
35	7114182	2	Screw
36	7114423	1	Distanz
37	7114770	1	Left side arm
38	7115304	1	Riemen 8 x 905
39	7114683	1	Riemenscheibe
40	7114673	1	PULLEY
41	7114635	1	Left side arm's casing
42	7114636	1	Right side arm's casing
43	7114249	1	Sicherungsring ø45
44	7114739	1	Riemen 10 x 710
45	7114662	1	Riemenscheibe
46	7114184	5	Sicherungsring Ø17
47	7114737	1	Shaft
48	7114795	1	Side brush left reductor
49	7114768	1	Right side arm
50	7115342	1	Nabe



# Motor vibrator

KC1000P

13-02-2015

ET-Liste-Nr.  
KC1000P14

21

Pos	Artikelnr.	Me	Beschreibung
1	7114479	1	Drawer's mousse kit
2	7115150	1	Filterbearing f rame
3	7114480	1	Mousse gasket kit
4	7114481	1	Upper mousse kit
5	7114778	1	Panel filter
6	7114941	1	Motorvibrator VB100 / PC 12V
7	1800515	2	Hutmutter DIN1587-M8
8	7114959	2	Release lever 8x40
9	7114115	1	Washer 6x18
10	7114135	8	SCREW 6X16
11	7114153	2	SCREW 6X16
12	7115130	1	Filer shaker motor support
40	7114170	2	Dowel 6x6
42	7114902	6	COUNTERSUNK SCREW M4X12 ISO 10642

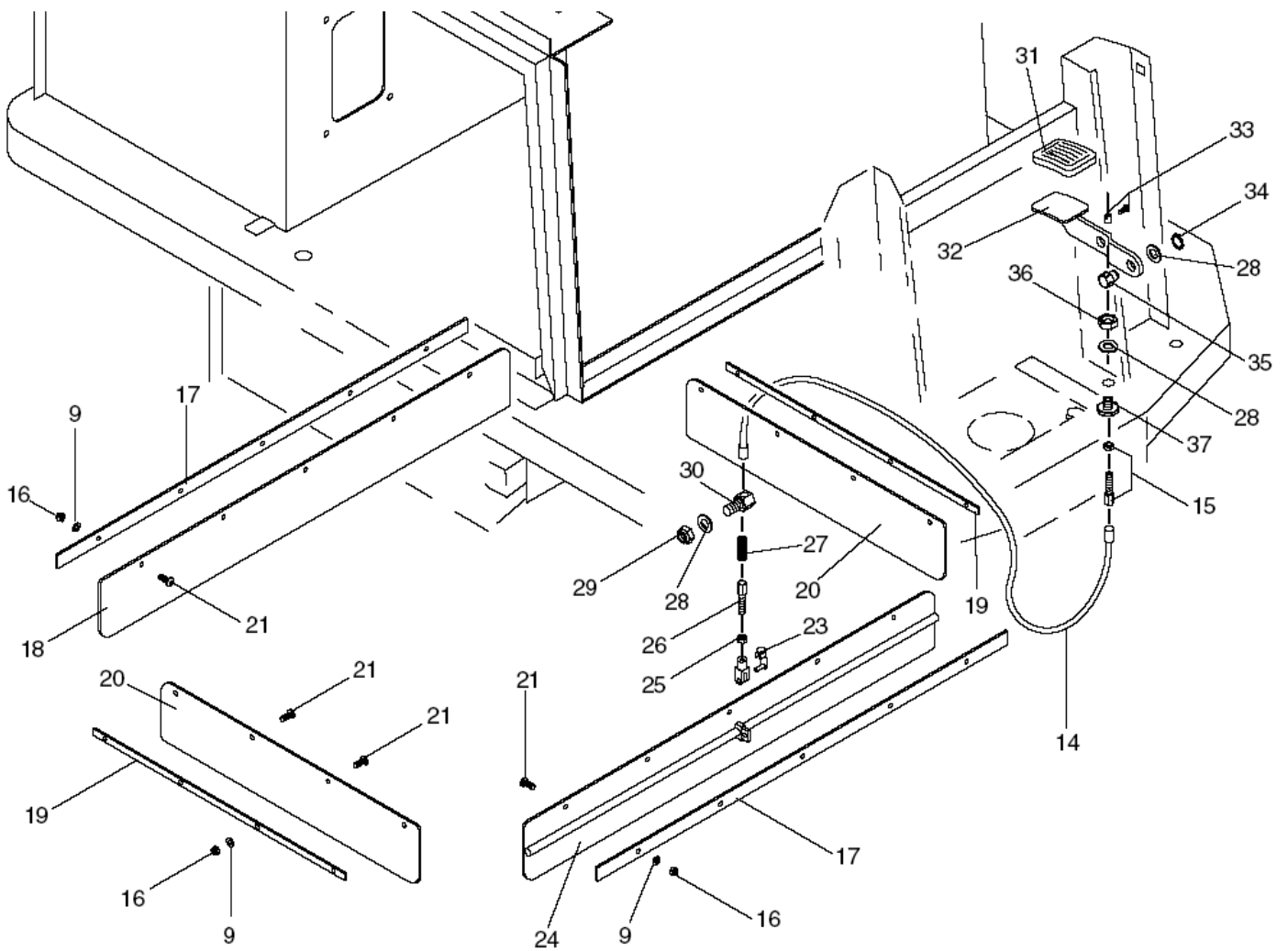
# Flap blocker

KC1000P

13-02-2015

ET-Liste-Nr.  
KC1000P16

22



# Flap blocker

KC1000P

13-02-2015

ET-Liste-Nr.  
KC1000P16

23

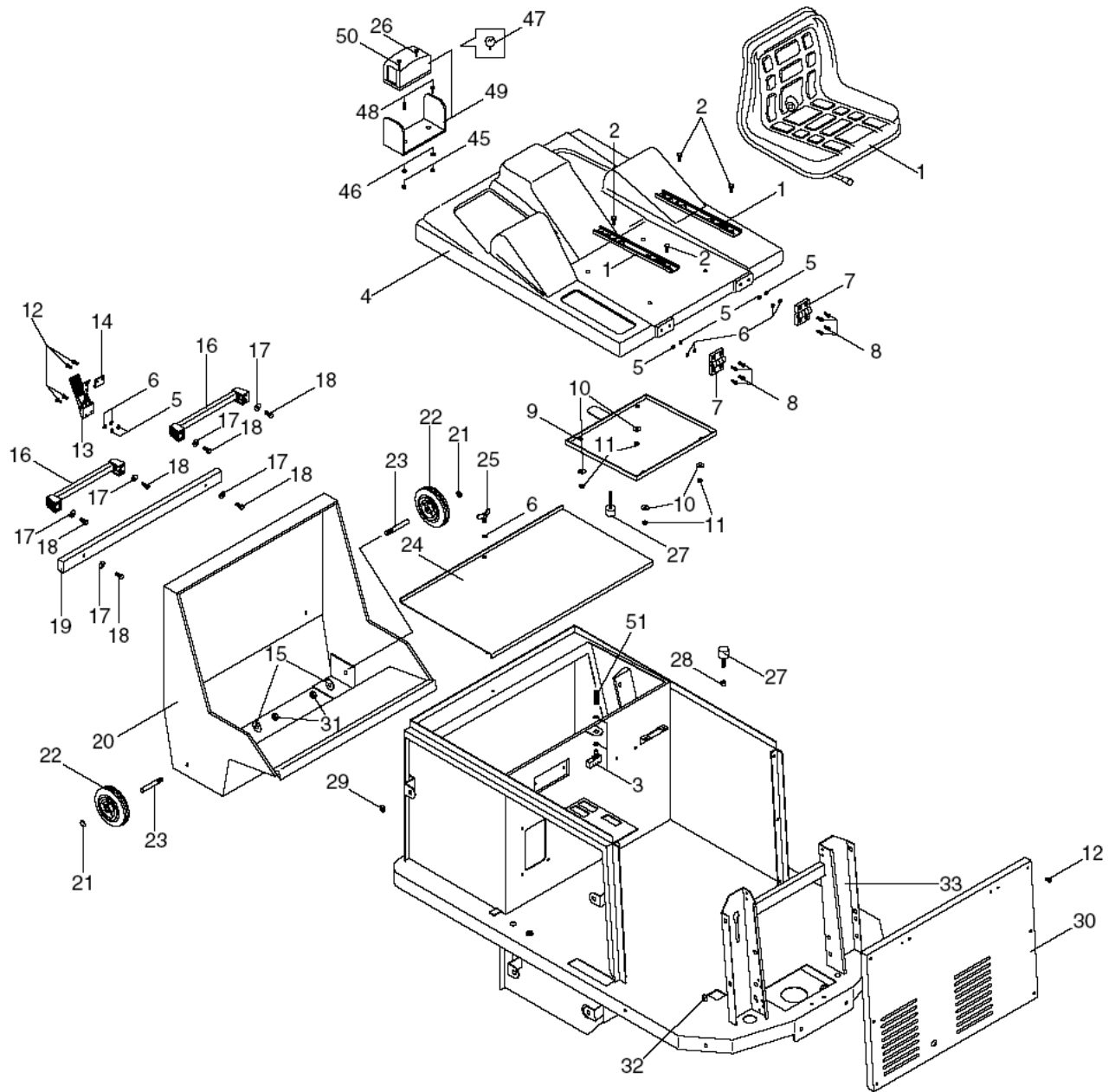
Pos	Artikelnr.	Me	Beschreibung
9	7114115	22	Washer 6x18
15	7114275	1	Turned adjuster
16	1805399	14	Mutter M6 DIN 985 A
17	7114525	2	Front/back, Flap blocker
18	7114570	1	Fixed backside flap
19	7114511	2	Side flaps blocker
20	7114447	2	Side flaps
22	7114411	1	Flap lifting cable
23	7114343	1	Bolzen ø6 mit Klammer
24	7114664	1	Adjustable front fork
25	1800705	1	Mutter DIN934-M6-8
26	7114411	1	Flap lifting cable
27	7114279	1	Flap lifting spring
28	7114137	3	Washer 12x24
29	7114180	1	Locknut M12
30	7114349	1	Pivot
31	7114301	1	Pedal cover
32	7114582	1	Flap lifting pedal
33	7114264	1	Clamp
34	7114185	1	Outer snap ring ?12
35	7114352	1	Cable fixing pivot
36	7114128	1	Locknut M12
37	7114388	1	Cable centering pivot

# Seat KC1000P

13-02-2015

ET-Liste-Nr.  
KC1000P18

24





# Seat

## KC1000P

13-02-2015

ET-Liste-Nr.  
KC1000P18

25

Pos	Artikelnr.	Me	Beschreibung
1	7114829	1	Seat
2	7114124	4	SCREW 8X35
3	7114708	1	Micro side brush
4	7114839	1	Upper cover Antracite
5	1805399	6	Mutter M6 DIN 985 A
6	7114115	7	Washer 6x18
7	7114593	2	Hinge
8	7114139	8	Screw 6x20
9	7114649	1	UPPER COVER REINFORCEME
10	7114138	4	Washer 8x24
12	7114135	12	SCREW 6X16
13	7114522	1	Lever locking
14	7114277	1	Lever lock striker
15	7114136	2	WASHER 10X21
16	7114445	2	Complete handle
17	7114116	6	Scheibe 6 x 24
18	7114166	6	Screw 6,3x19
19	7114526	1	Drawer bracing
20	7114792	1	Waste bin
21	7114281	2	Chromed cup ? 15
22	7114376	2	WHEEL Ø125
23	7114308	2	WHEEL PIVOT
24	7114748	1	Filter container's cover
25	7114246	1	Butterfly screw
26	7114119	1	Self-tapping screw 3,5x9,5
27	7114347	1	Adjusting bumper
28	7114126	1	Nut M8
29	7114225	10	Nut M8
30	7114787	1	CLOSING PLATE
31	7114161	2	Nut M10
32	7114226	1	Nut M6
33	7114874	1	FRAME
47	7114287	1	24V 21W Light bulb
48	7114159	2	Screw 5x25
49	7114587	1	Reverse gear light
50	7114117	1	SELF-TAPPING SCREW 3.5X19
51	7114346	1	Spring

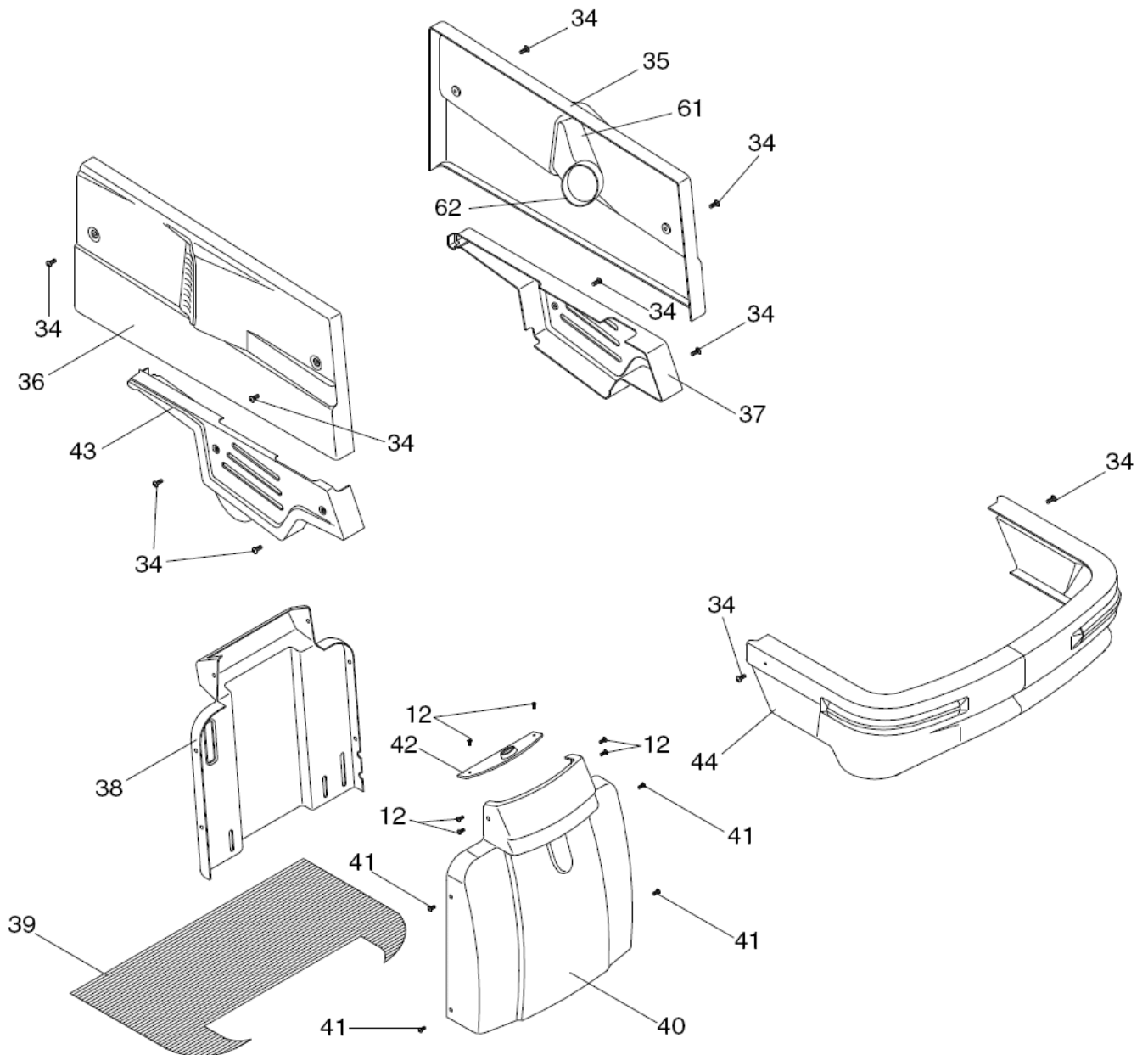
# Front cabinet

KC1000P

13-02-2015

ET-Liste-Nr.  
KC1000P20

26



# Front cabinet

KC1000P

13-02-2015

ET-Liste-Nr.  
KC1000P20

27

Pos	Artikelnr.	Me	Beschreibung
12	7114135	12	SCREW 6X16
34	7114144	12	Screw 8x22
35	7114798-1	1	UPPER LEFT SIDE CRANKCASE see Note below.
35	7115351	1	Upper left side crankcase from 12.2004
36	7114797	1	Upper right side crankcase An
36	7114797-1	1	UP.RIGHT SIDE CRANKCASE
37	7114755-1	1	Lower left crankcase (GREY)
38	7114779	1	Double brush front inner casin
39	7114695	1	RUNNING BOARD
40	7114782	1	Front casing Antracite
40	7114782-1	1	FRONT CASING ANTHRACITE G
41	7114146	8	Screw 6x20
42	7114617	1	Grey dashboard
43	7114756	1	Lower right side crankcase
44	7114820	1	Stossfaenger "KC1000"

NOTE: As the Blue/Grey colour is no longer available, then it will be delivered in red color for spare part use.

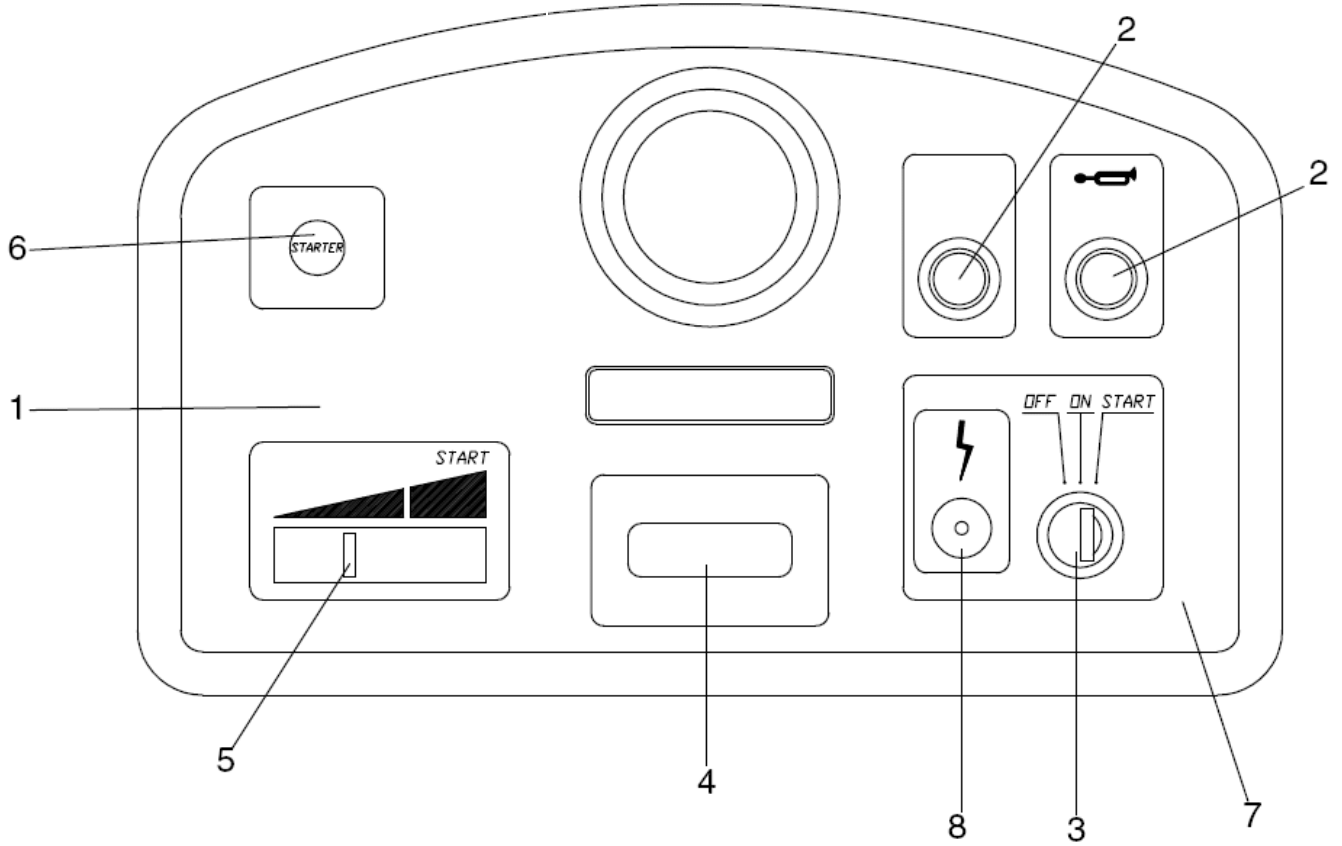
# Dashboard

KC1000P

13-02-2015

ET-Liste-Nr.  
KC1000P22

28



# Dashboard

KC1000P

13-02-2015

ET-Liste-Nr.  
KC1000PZZ

29

Pos	Artikelnr.	Me	Beschreibung
1	7114864	1	DASHBOARD WITH TACHOMETER
2	7114588	2	Button
3	7114742	1	Ignition key
4	7114773	1	Hourmeter
5	7114531	1	TK 700 FRONT DRAWER FLAP
6	7114614	1	Starter' sheathing + cable
7	7114612	1	ADHESIVE BOARD



# Batterie und Bremspedal

KC1000P

13-02-2015

ET-Liste-Nr.  
KC1000P24

31

Pos	Artikelnr.	Me	Beschreibung
10	7114485	1	Tension gauge
11	7114926	1	ELECTRIC PLANT
12	7114518	1	FUSE-BOX
13	7114980	1	Self-adjuster for gas motor
14	7114711	1	DIRECTION-SELECTION PEDAL
15	7114182	2	Screw
16	7114122	2	SCREW 8X20
17	7114644	1	Intermittence 12V
18	7114608	1	Relais 12 V 30
19	7114133	2	screw 8x10
20	7114478	2	ACCELERATOR TRANSMISSION
21	7114420	2	Rillenkugellager 6000-2RS
22	7114177	2	Inner snap ring ? 26
23	7114584	1	Direction-selecting pedal
24	7114706	1	Speed command shaft
25	7114152	1	Dowel M 8x8
26	7114623	1	BATTERY HOLDER
27	7114665	1	HORN 12 V
28	7114166	3	Screw 6,3x19
30	7114301	1	Pedal cover
31	7114302	4	BUSHING
32	7114293	1	BUSHING
33	7114336	1	PIVOT
34	7114327	1	PIVOT
35	7114170	4	Dowel 6x6
36	7114577	1	BRAKE PEDAL
37	7114300	1	Spring
38	7114269	1	PIVOT
39	7115128	1	SECURITY BRAKE PEDAL
40	7114168	2	OUTER SNAP RING Ø10
41	7114292	1	BUSHING
42	7114134	2	Screw 6x10
43	7114317	1	DUST-COVER RUBBER
44	7114242	1	BRACKET
45	7114113	2	Washer 8x17
46	7114126	2	Nut M8