

VHW200

Model:
VHW200



Part List US-English

27-03-2015

Table of Contents

VHW200

Frame	3
Container Unit	5
Filter Group	7
Absolute Filer	9
Suction Unit	11
Electric System	13
Electric System 01	15

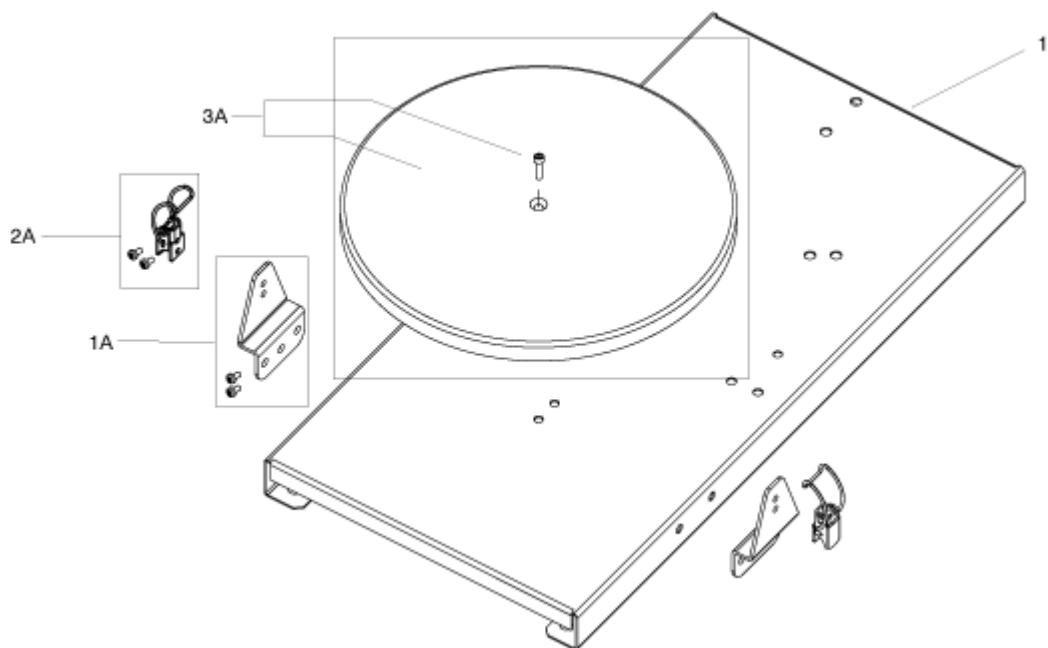
Frame

VHW200

27-03-2015

Part List ID
VHW20001

3



Frame

VHW200

27-03-2015

Part List ID
VHW20001

4

Pos	Part no.	Qty	Description
1	4083600814	1	BASE HORIZONTAL VHW200-210 FE
1A	4089100658	2	HOOK SUPPORT KIT VHW210
2A	4089100684	2	KIT LEVER LOCK FOR CONTAINER VHW SS
3A	4089100710	1	KIT GUIDE BOTTOM D220 ZINC PLATED

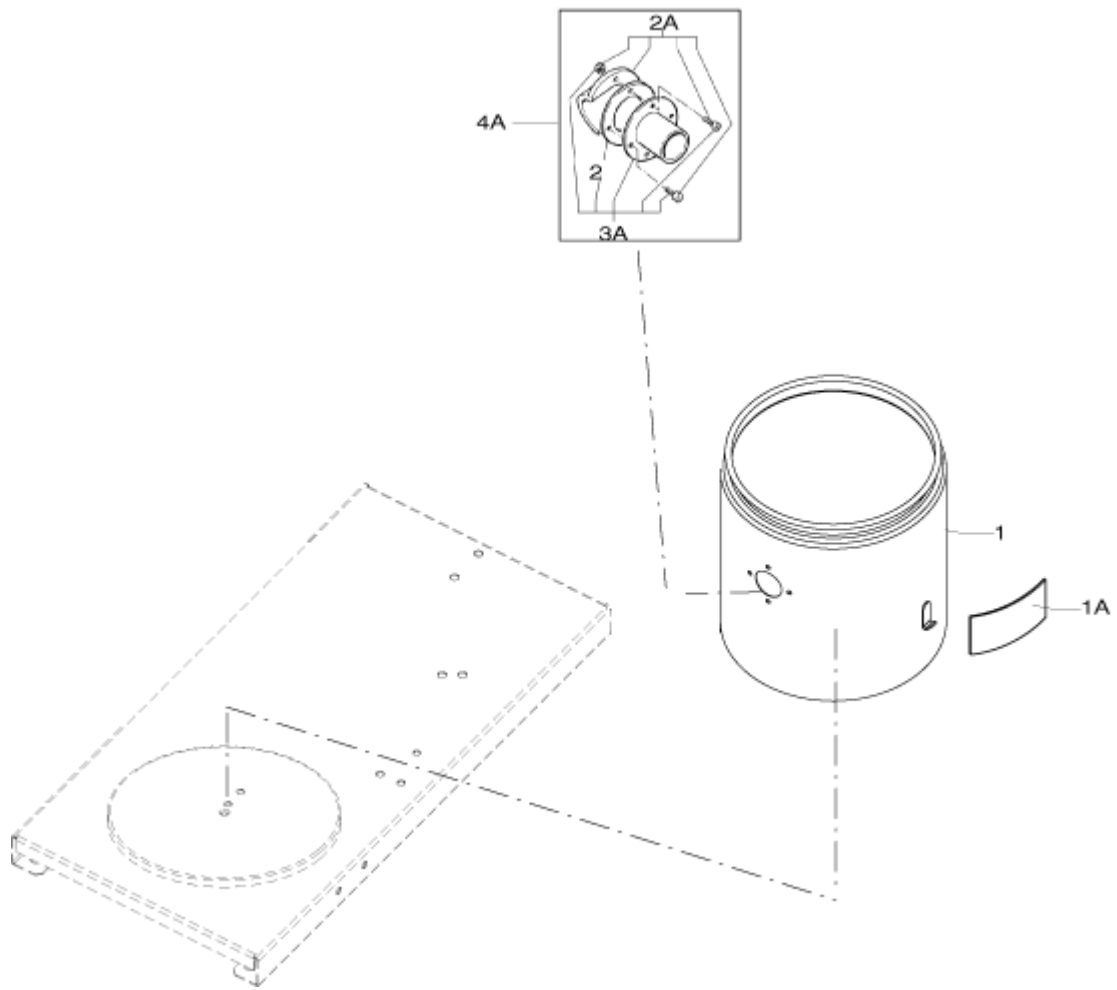
Container Unit

VHW200

27-03-2015

Part List ID
VHW20003

5



Container Unit

VHW200

27-03-2015

Part List ID
VHW20003

6

Pos	Part no.	Qty	Description
1	4083000791	1	CONTAINER D220 VHW R9003
1	4083000792	1	CONTAINER D220 VHW SS
2	Z8 17004	1	INLET SEAL D40
1A	4089100711	1	LABELS KIT VHW200
2A	40000400	1	KIT DEFLECTOR D40 FE
2A	40000402	1	KIT DEFLECTOR D40 INOX
3A	40000399	1	KIT INLET FE D40
3A	40000401	1	KIT INLET INOX D40
4A	40000385	1	KIT COMPLETE INLET FE D40
4A	40000386	1	KIT COMPLETE INLET INOX D40

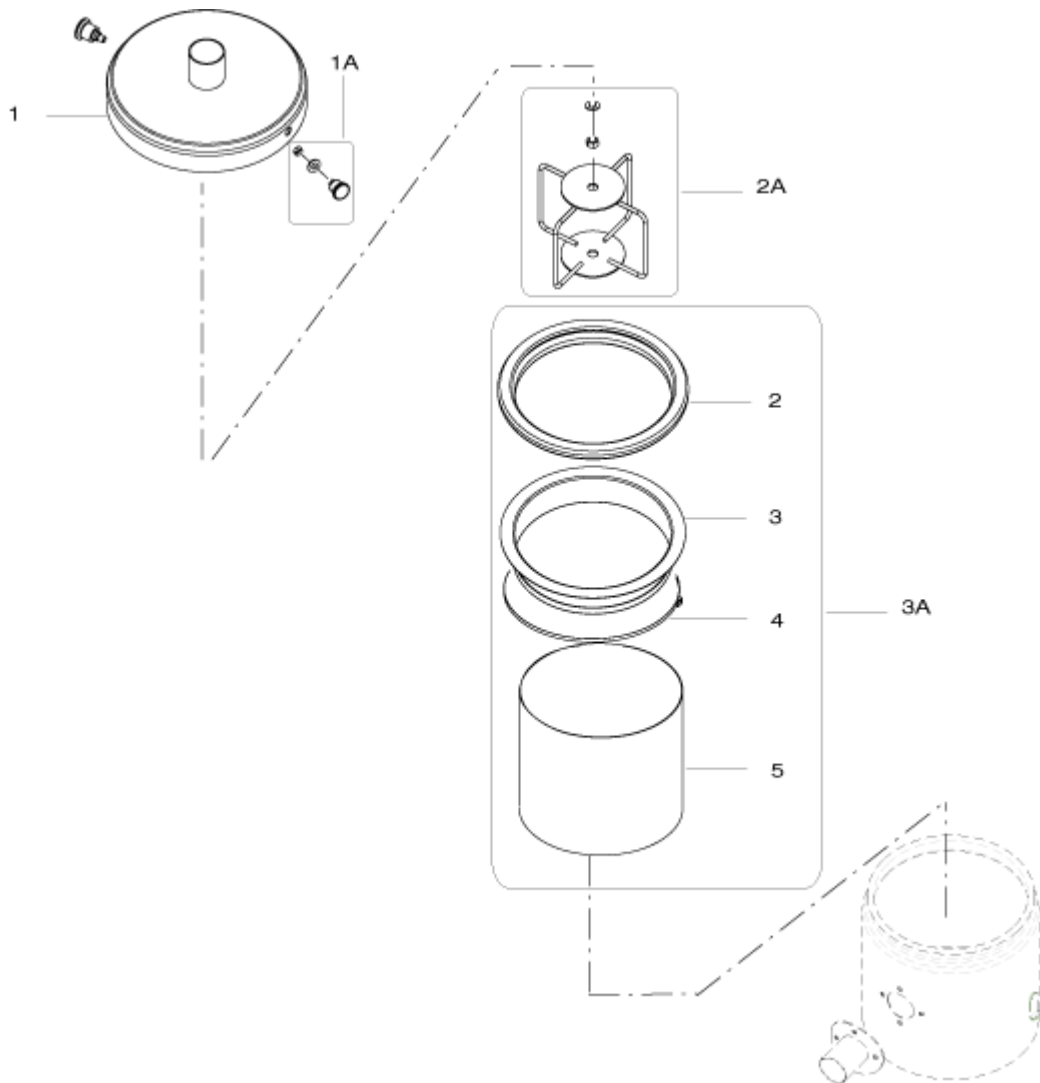
Filter Group

VHW200

27-03-2015

Part List ID
VHW20005

7



Filter Group

VHW200

27-03-2015

Part List ID
VHW20005

8

Pos	Part no.	Qty	Description
1	4083101382	1	LID D220 VHW R9003
1	4083101383	1	LID D220 VHW SS
2	4081701124	1	FILTER RING GASKET D220 VHW
2	4081701125	1	FILTER RING GASKET D220 VHW SILICONE
3	4081500254	1	FILTER RING D220 VHW FE
3	4081500255	1	FILTER RING D220 VHW SS
4	Z8 18076	1	FILTER BLOCK TIE D220
5	Z8 17036	1	BAG FILTER 220 POLYESTER
1A	4089100662	1	POSITIONING PISTON SPRING KIT VHW210
2A	4089100712	1	KIT CAGE VHW200
2A	4089100713	1	KIT CAGE SS VHW200
3A	4083300414	1	FILTER COMPLETE D220 VHW
3A	4083300416	1	FILTER COMPLETE D220 VHW SS

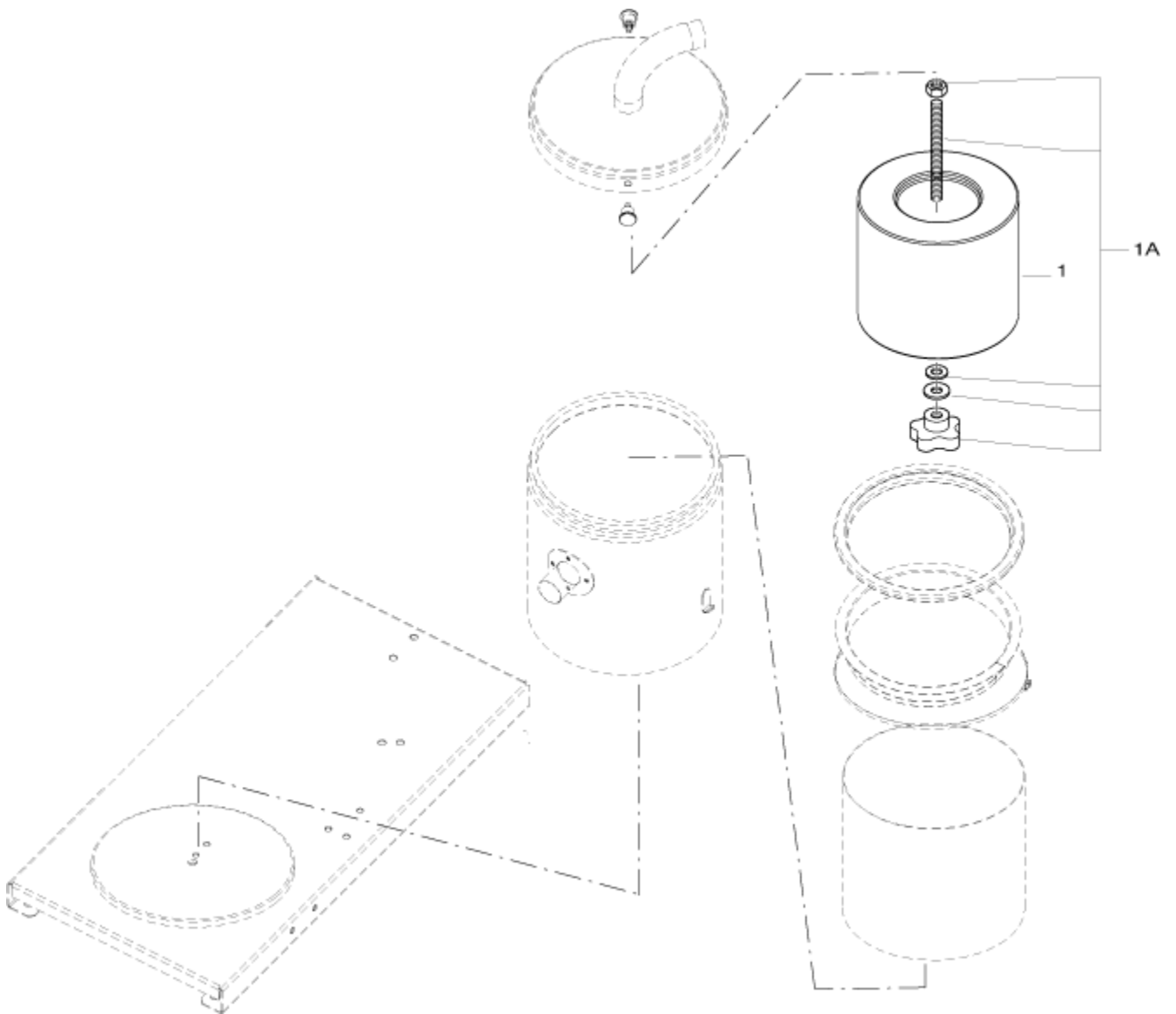
Absolute Filer

VHW200

27-03-2015

Part List ID
VHW20007

9



Absolute Filer

VHW200

27-03-2015

Part List ID
VHW20007

10

Pos	Part no.	Qty	Description
1	Z8 17262	1	ABSOLUTE FILTER D360 x 150 H14
1A	4089100665	1	KIT UPSTREAM ABSOLUT FILT.VHW210

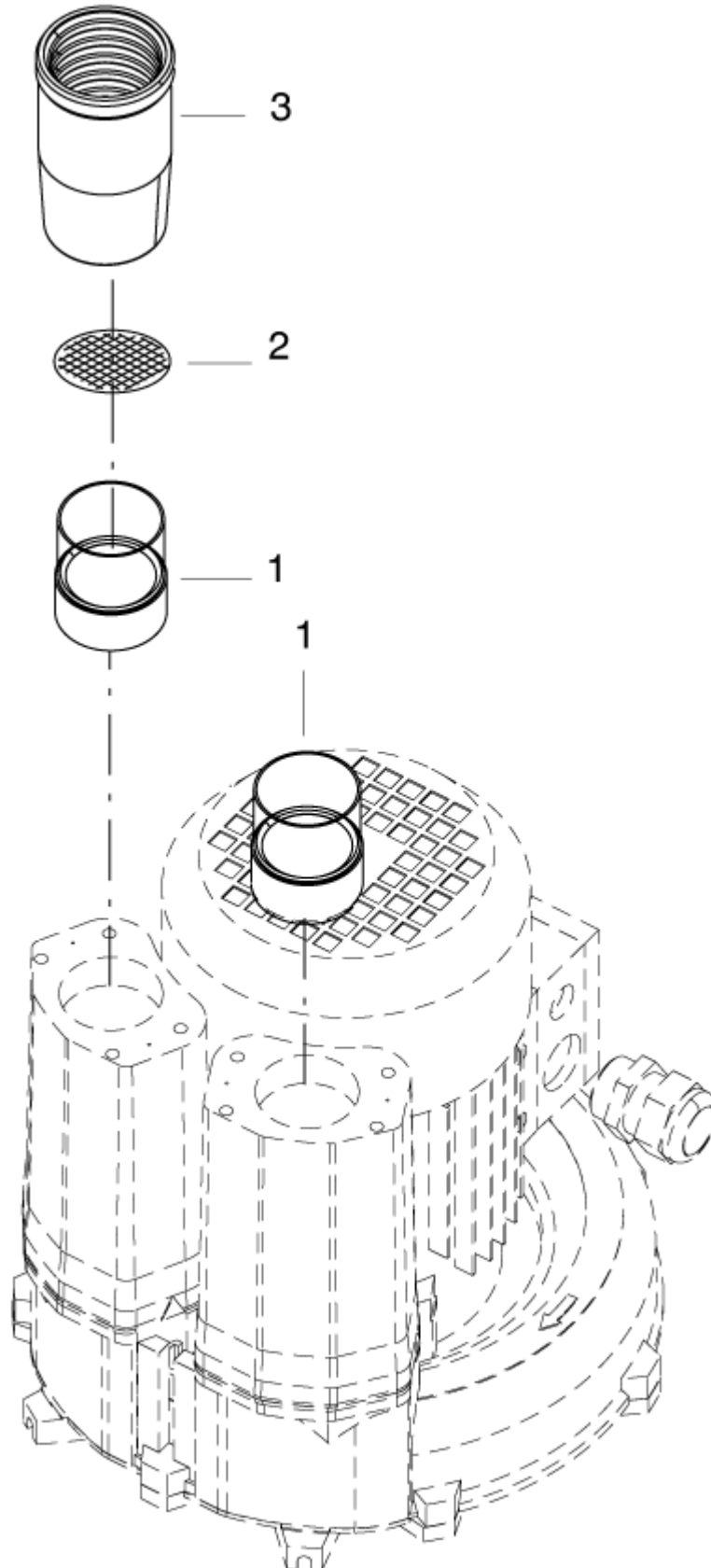
Suction Unit

VHW200

27-03-2015

Part List ID
VHW20009

11



Suction Unit

VHW200

27-03-2015

Part List ID
VHW20009

12

Pos	Part no.	Qty	Description
1	4083200812	1	"FITTING D40 - 1""1/4"
2	Z8 13064	1	NET D80 MESH 1.5x1.5
3	Z7 20001	1	SLEEVE D40 RUBBER

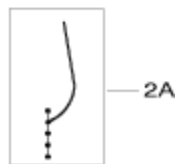
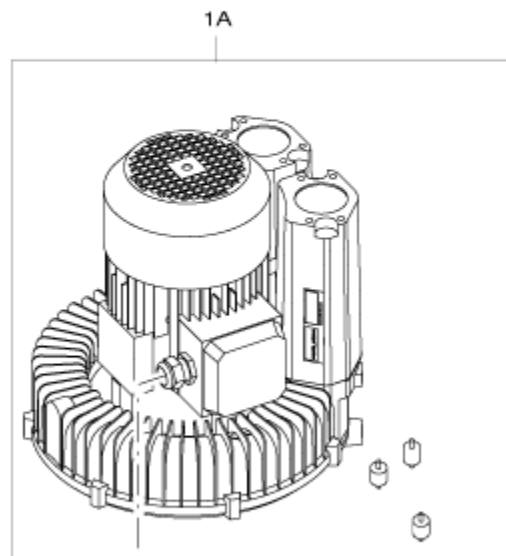
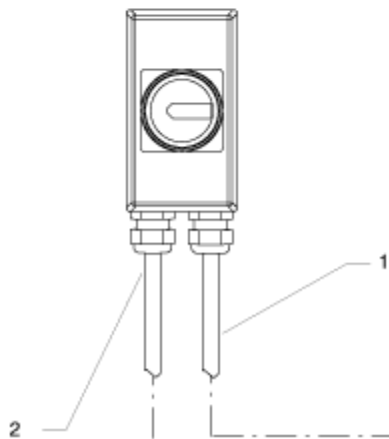
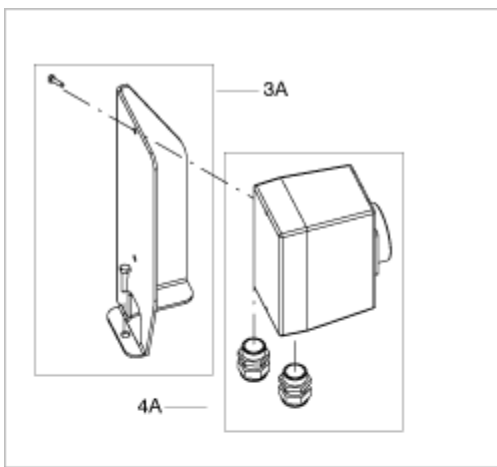
Electric System

VHW200

27-03-2015

Part List ID
VHW20011

13



Electric System

VHW200

27-03-2015

Part List ID
VHW20011

14

Pos	Part no.	Qty	Description
1	Z8 391079	1	CABLE CONN.MOT. 4G2.5 SIL. MOD.3508-T40
2	4083901674	1	CABLE SUP.4G2,5 FROR.6 M BLADE TERMINAL
1A	4089100714	1	SUCTION UNIT KIT VHW200
2A	40000877	1	GROUND CABLE KIT
3A	4089100666	1	E.B. SUPPORT PLATE KIT VHW210
4A	4089100716	1	E.B. KIT VHW200
5A	4089100717	1	E.B. KIT COMPLETE VHW200

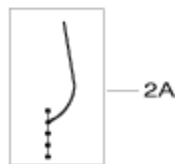
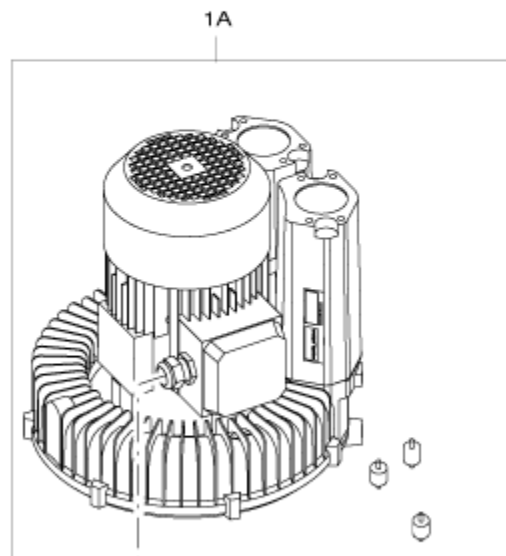
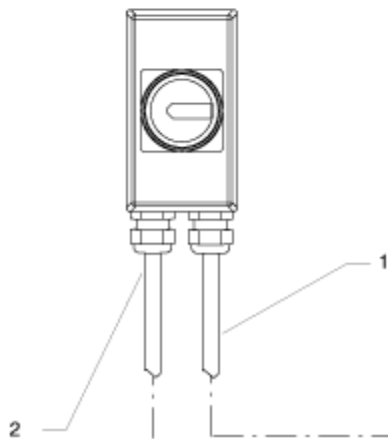
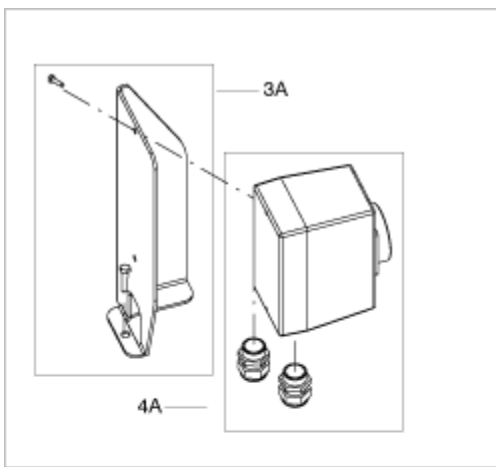
Electric System 01

VHW200

27-03-2015

Part List ID
VHW20013

15



Electric System 01

VHW200

27-03-2015

Part List ID
VHW20013

16

Pos	Part no.	Qty	Description
1	Z8 391079	1	CABLE CONN.MOT. 4G2.5 SIL. MOD.3508-T40
2	4083901674	1	CABLE SUP.4G2,5 FROR.6 M BLADE TERMINAL
1A	4089100715	1	SUCTION UNIT KIT VHW210 SINGLE-PHASE
2A	40000877	1	GROUND CABLE KIT
3A	4089100666	1	E.B. SUPPORT PLATE KIT VHW210
4A	4089100716	1	E.B. KIT VHW200
5A	4089100717	1	E.B. KIT COMPLETE VHW200