

# SCRUBTEC 545B-545BL-553B-553BL-BOOS

---

Model:  
SCRUBTEC 545 BL  
COMBI ALTO  
SCRUBTEC 553  
SCRUBTEC 553 BL  
COMBI ALTO  
SCRUBTEC BOOST 5



Stückliste Deutsch

17-09-2014

**Nilfisk**  
**ALTO**  
works for you

[www.nilfisk-alto.com](http://www.nilfisk-alto.com)

# Inhalt

SCRUBTEC 545B-545BL-553B-553BL-BOOST5

<b>Ansicht allgemein</b>	<b>3</b>
<b>Frischwassertank</b>	<b>5</b>
<b>SCHMUTZWASSERTANK</b>	<b>7</b>
<b>Chassis-System</b>	<b>9</b>
<b>Wheels and traction</b>	<b>11</b>
<b>Handle assembly without traction 545B-553B</b>	<b>13</b>
<b>Handle assembly with traction 545BL-553BL-BOOST5</b>	<b>15</b>
<b>FRISCHWASSERSYSTEM</b>	<b>17</b>
<b>ABSAUGERSYSTEM</b>	<b>19</b>
<b>Brush system 545B-553B</b>	<b>21</b>
<b>Brush system 545BL-553BL</b>	<b>23</b>
<b>Brush system BOOST5</b>	<b>25</b>
<b>Zubehör 1</b>	<b>28</b>
<b>Zubehör 2</b>	<b>30</b>
<b>Control panel system</b>	<b>32</b>
<b>Electrical components 545B-533B</b>	<b>34</b>
<b>Electrical components 545BL-533BL-BOOST5</b>	<b>36</b>
<b>Battery charger accessory kit</b>	<b>38</b>
<b>Chemical mixing accessory kit</b>	<b>40</b>
<b>EMPFOHLENE ERSATZTEILE</b>	<b>42</b>
<b>56380209 - Flex Plate 20 Kit</b>	<b>45</b>

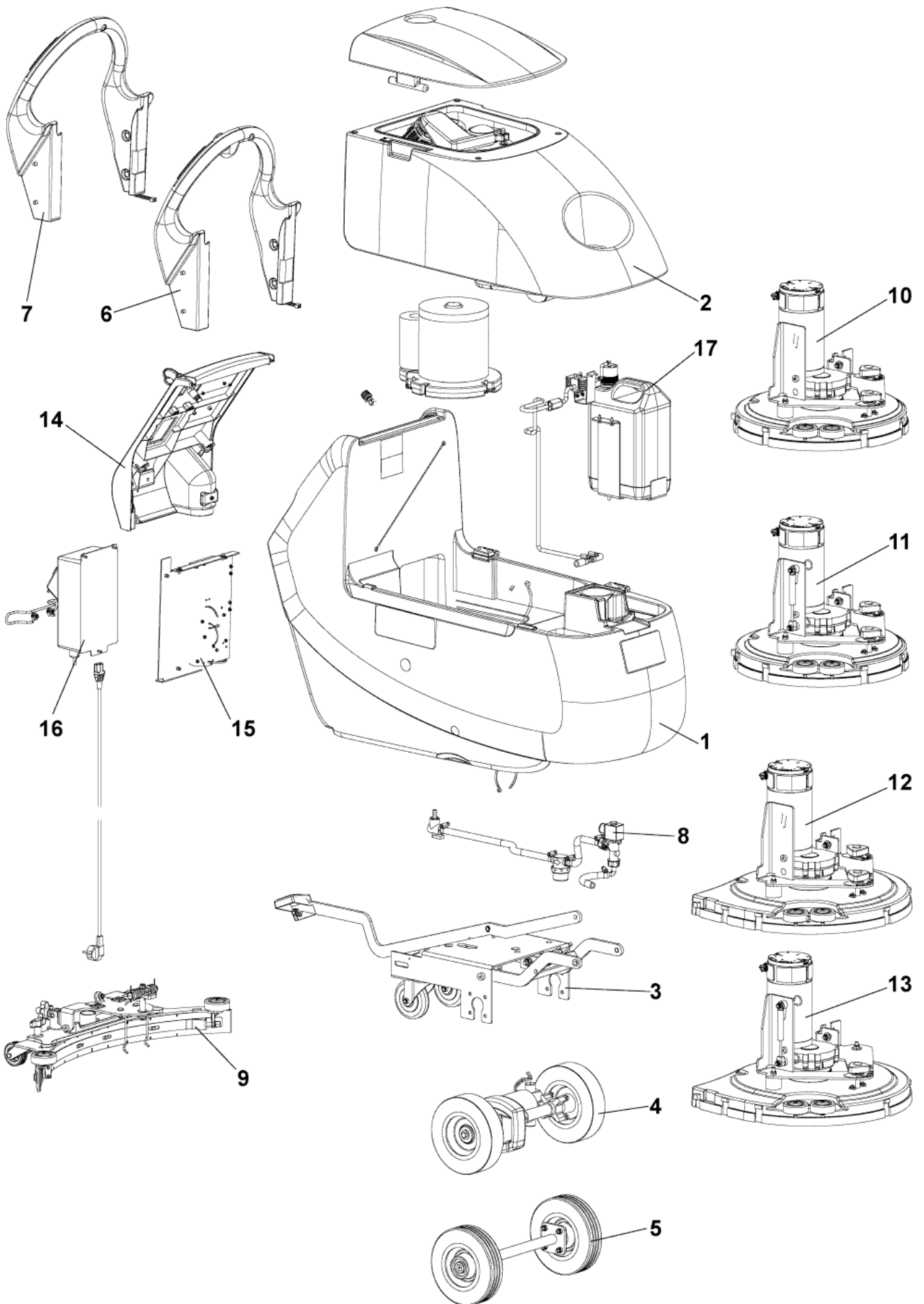
# Ansicht allgemein

SCRUBTEC 545B-545BL-553B-553BL-BOOST5

17-09-2014

ET-Liste-Nr.  
SCRUBTEC545B01

3



# Ansicht allgemein

SCRUBTEC 545B-545BL-553B-553BL-BOOST5

17-09-2014

ET-Liste-Nr.  
SCRUB1EC545B01

4

Pos	Artikelnr.	Me	Beschreibung	
0	9098358000	1	CARDBOARD BOX 1400X690X1150MM	Box for 553BL
1		1	USE LINK	Solution Tank
2		1	USE LINK	Recovery Tank
3		1	USE LINK	Chassis System
4		1	USE LINK	Wheels And Traction 545BL - 553BL
5		1	USE LINK	Wheels System 545B - 553B
6		1	USE LINK	Handle Assembly 545BL - 553BL
7		1	USE LINK	Handle Assembly 545B - 553B
8		1	USE LINK	Solution System
9		1	USE LINK	Squeegee System
10		1	USE LINK	Brush System 545B
11		1	USE LINK	Brush System 545BL
12		1	USE LINK	Brush System 553B
13		1	USE LINK	Brush System 553BL
14		1	USE LINK	Control Panel System
15		1	USE LINK	Electrical Components
16		1	USE LINK	Battery Charger
17		1	USE LINK	Chemical Mixing System

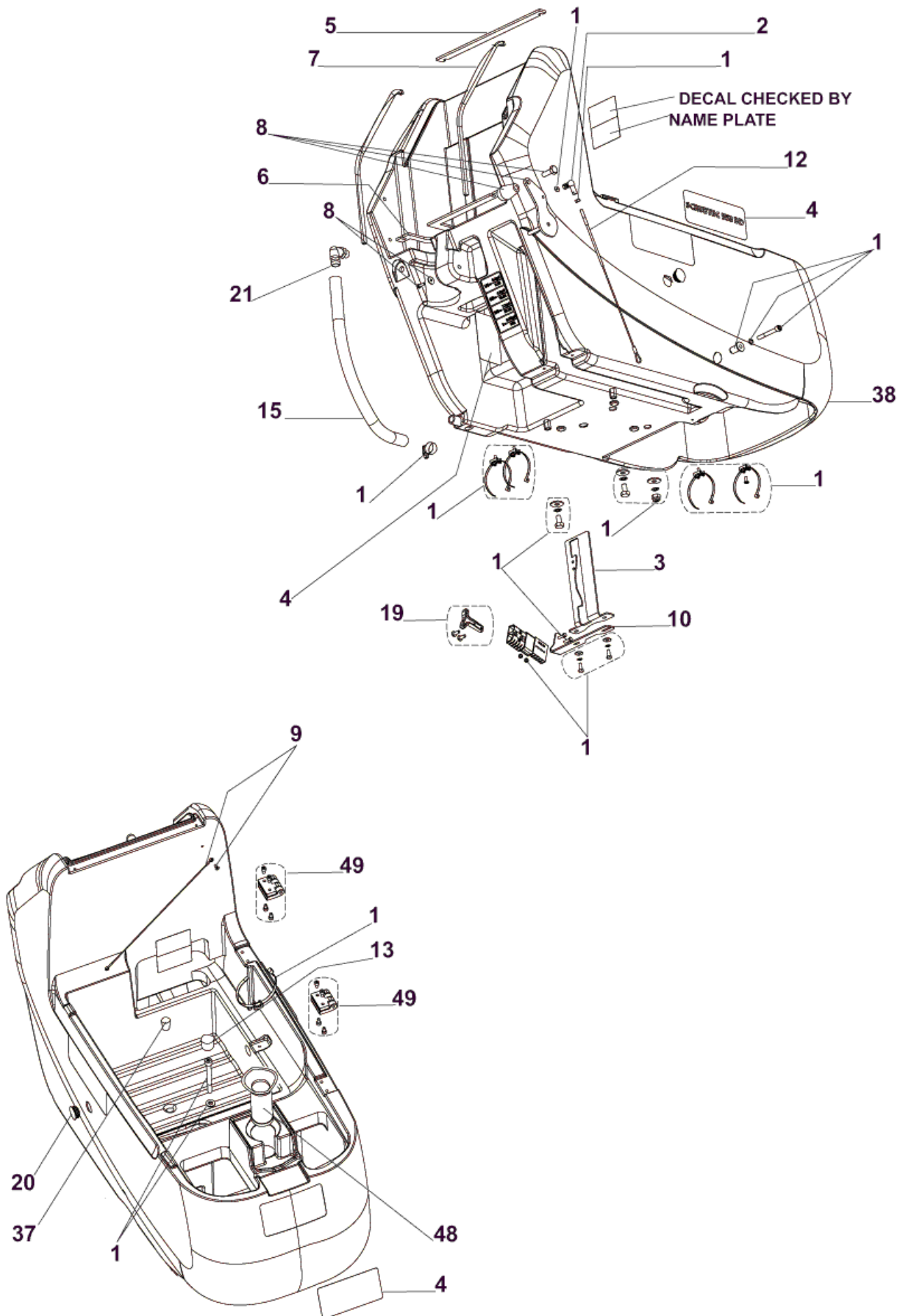
# Frischwassertank

SCRUBTEC 545B-545BL-553B-553BL-BOOST5

17-09-2014

ET-Liste-Nr.  
SCRUBTEC545B02

5



# Frischwassertank

SCRUBTEC 545B-545BL-553B-553BL-BOOST5

17-09-2014

ET-Liste-Nr.  
SCRUBTEC545B02

6

Pos	Artikelnr.	Me	Beschreibung
0	9098033000	1	GASKET HANDLE BAR
0	9098762000	2	Stecker 120A ROT
1	9098265000	1	HARDWARE SOLUTION TANK KIT
2	145 8479 000	1	Gelenkkopf M6
3	909 6493 000	1	Stütze f. Pedal
4	9098068000	1	DECALS SCRUBTEC 545 BL COMBI ALTO KIT FOR ALTO BRANDED ONLY
4	9098069000	1	DECALS SCRUBTEC 553 BL COMBI ALTO KIT FOR ALTO BRANDED ONLY
4	9098089000	1	Aufkleber SCRUBTEC 545-553 B-BL
4	9098332000	1	DECALS SCRUBTEC BOOST 5 ALTO KIT FOR ALTO BRANDED ONLY
5	909 6596 000	1	Dichtring
6	909 6597 000	1	Dichtring
7	909 6892 000	2	Dichtring L960
8	9097630000	1	Hebel Saugfussanhebung zu BA 451
9	909 6874 000	1	CABLE TANK KIT
10	9098936000	1	BRACKET BATTERY CONNECTOR
12	9098673000	1	CABLE SQUEEGEE KIT
13	909 6673 000	1	Kappe, schwarz
15	9097296000	1	Frischwasserschlauch
19	1464116000	1	Handgriff
20	L08812457	2	CAP,TANK LOCKING
37	909 6236 000	1	Abdeckung, schwarz
38	9097015000	1	TANK SOLUTION 35 LT BLUE
38	9098939000	1	TANK SOLUTION 42 LT BLUE FOR 9087259020 ONLY
48	9097192000	1	Wasserfilter
49	9098329000	1	Schanier Kit

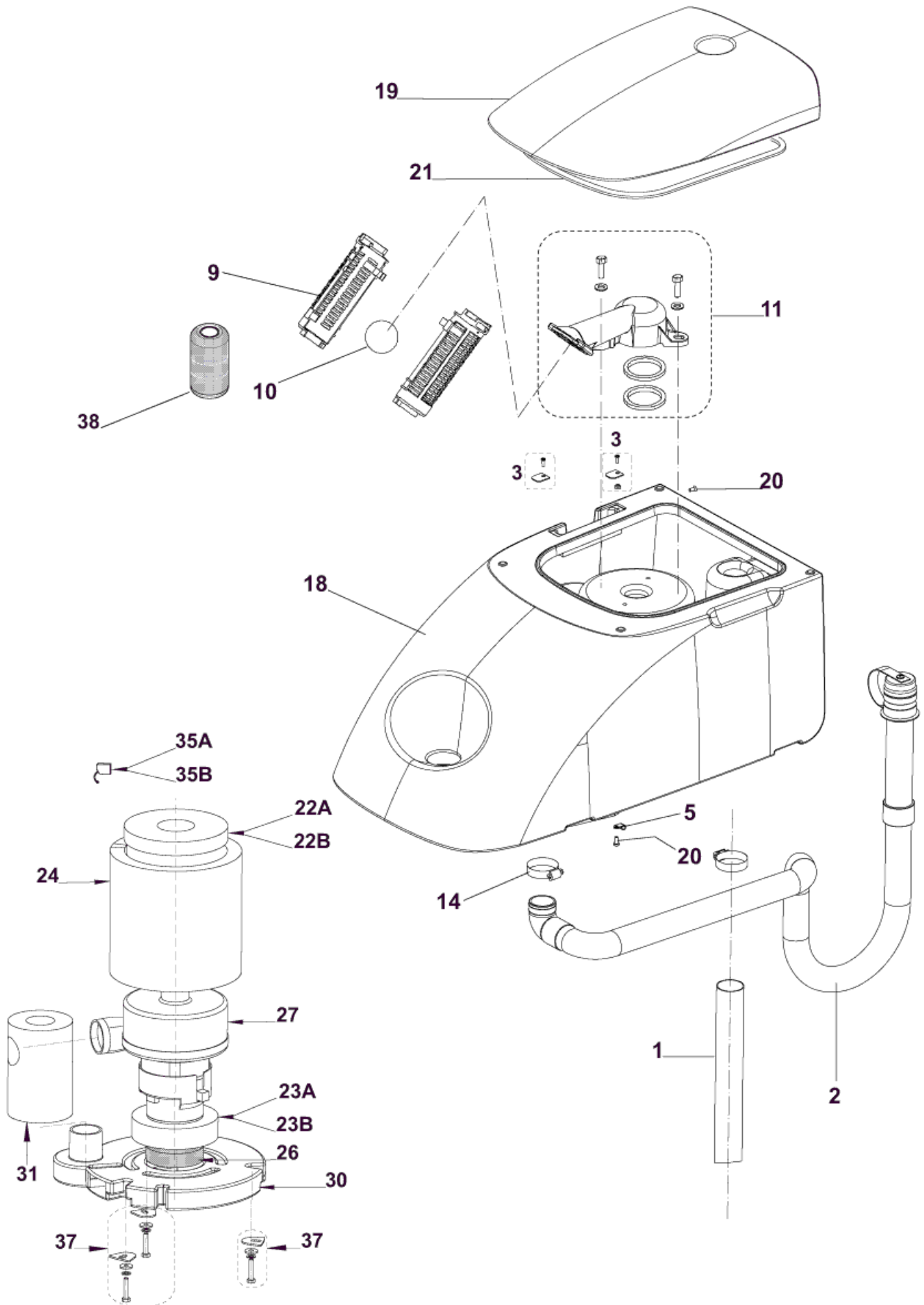
# SCHMUTZWASSERTANK

SCRUBTEC 545B-545BL-553B-553BL-BOOST5

17-09-2014

ET-Liste-Nr.  
SCRUBTEC545B03

7



# SCHMUTZWASSERTANK

SCRUBTEC 545B-545BL-553B-553BL-BOOST5

17-09-2014

ET-Liste-Nr.  
SCRUBTEC545B03

8

Pos	Artikelnr.	Me	Beschreibung
0	909 6876 000	1	BefestigungsKit
1	9099853000	1	Saugschlauch schwarz KIT
2	9099166000	1	Ablaufschlauch RAL 9005
3	9097654000	1	Tankdeckelkit
5	L08239900	1	CLAMP GREY
9	L08812259	2	CAGE,FLOAT CP
10	L08812373	1	BALL FLOATING
11	9097724000	1	Schwimmer Halter Kit
14	145 0543 000	2	CLAMP 14/32-52
18	9097016000	1	Schmutzwassertank
19	9097017000	1	Tankdeckel
20	33005124	2	Scharabe M5x12 UNI 7688
21	909 6268 000	1	Dichtung
24	909 6491 000	1	PANEL,ACOUSTIC INSULATION
26	909 6672 000	1	FILTER
27	9099401000	1	MOTOR VACUUM KIT
30	909 6051 000	1	Abdeckhaube f. Motor
31	909 6442 000	1	PIPE,ACOUSTIC INSULATION Ansaugrohr
37	909 6877 000	1	Motor BefestigungsKit
38	909 5065 000	1	FILTER ANTIFOAMING TSB IT 2008-002
22A	9096918000	1	Dichtung f. Motor
22B	9098057000	1	Dichtung f. Vacuummotor
23A	909 6490 000	1	GASKET VACUUM MOTOR
23B	9097555000	1	Dichtung
35A	909 5371 000	2	CARBON BRUSH
35B	9098231000	1	Kohlebürstensatz 2Stck.

A: FOR MOTOR 9099401000 (AMETEK)

B: FOR MOTOR 9098062000 (VIPER)



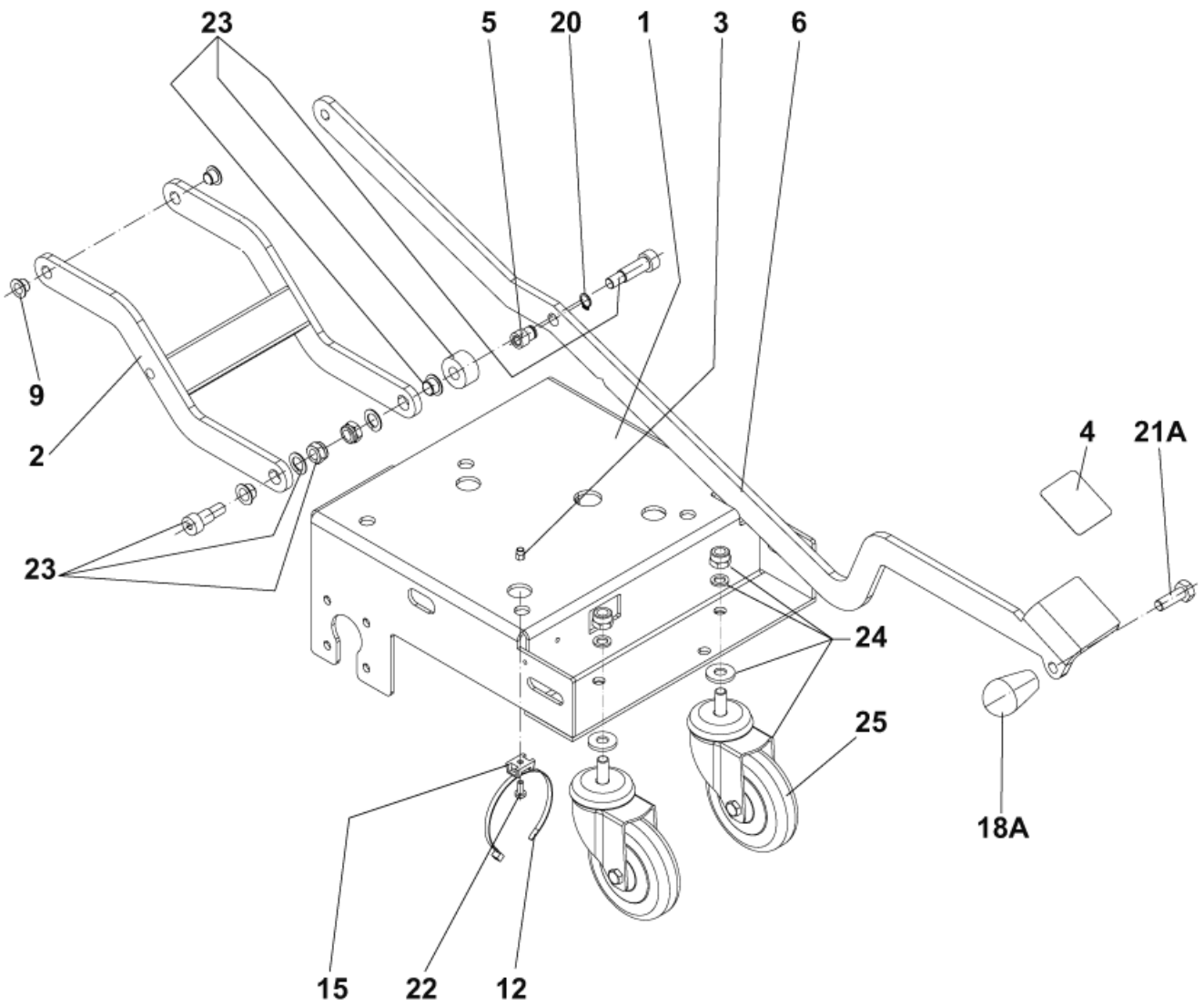
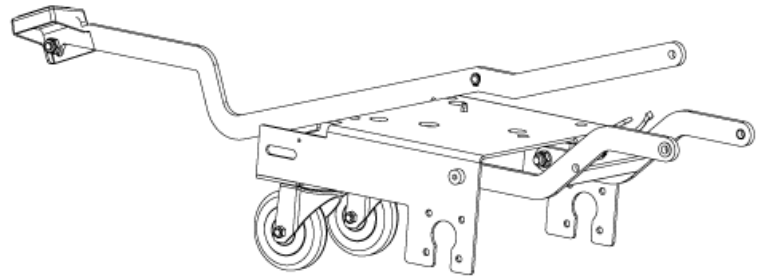
# Chassis-System

SCRUBTEC 545B-545BL-553B-553BL-BOOST5

17-09-2014

ET-Liste-Nr.  
SCRUBTEC545B04

9



# Chassis-System

SCRUBTEC 545B-545BL-553B-553BL-BOOST5

17-09-2014

ET-Liste-Nr.  
SCRUBTEC545B04

10

Pos	Artikelnr.	Me	Beschreibung	
0	9100000335	1	STRAP ANTISTATIC KIT	OPT INST.INSTR.9100000337
1	909 6482 000	1	Chassis	
2	909 6486 000	1	Hebel	
3	145 6132 000	1	INSERT M5	
4	909 6539 000	1	Antirutsch-Belag	
5	909 6540 000	1	Buchse	
6	9097024000	1	Bürstenabhebevorrichtung	
9	909 6594 000	3	Buchse	
12	145 0524 000	3	Klammer 4,8x200 schwarz f. PS 333	
15	909 6595 000	1	Halter / Schelle	
20	33006051	1	Ring D12	
22	909 6337 000	1	Schraube M5 x 12	
23	909 6878 000	1	Satz Befestigungsteile	
24	9098619000	2	WHEEL CASTOR D.100 PU SS KIT (1 Stück)	
24	9099028000	2	WHEEL CASTOR WITH HARDWARE KIT (1 Stück)	OPTIONAL
25	9099014000	2	Lenkrolle Chromat	
18A	909 6621 000	1	Knopf BR 611	FOR SCRUBTEC 545BL - 553BL - BOOST5
21A	33004010	1	Schraube	FOR SCRUBTEC 545BL - 553BL - BOOST5

# Wheels and traction

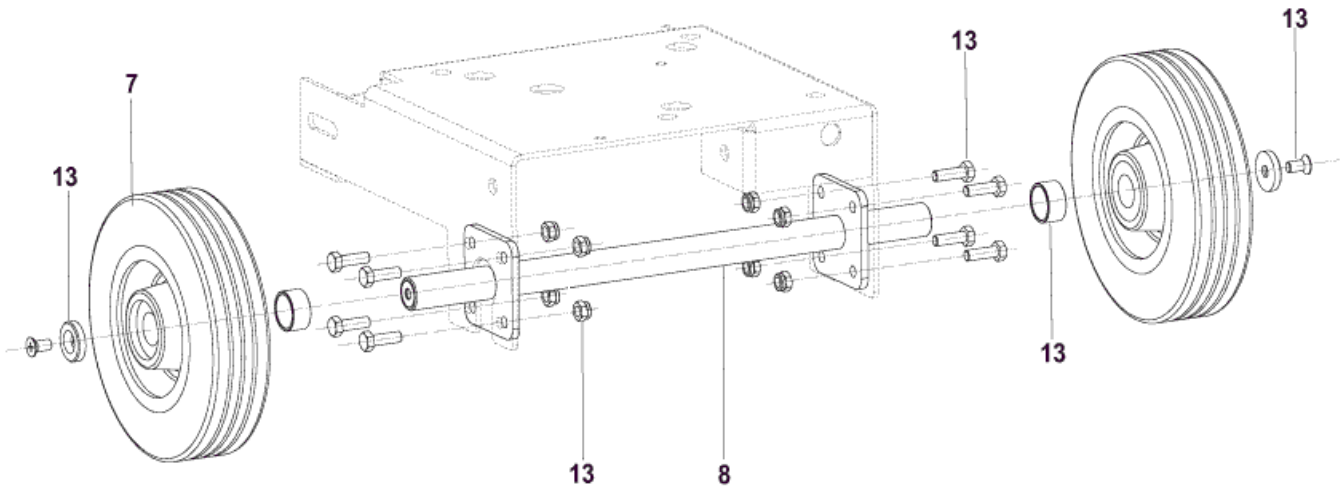
SCRUBTEC 545B-545BL-553B-553BL-BOOST5

17-09-2014

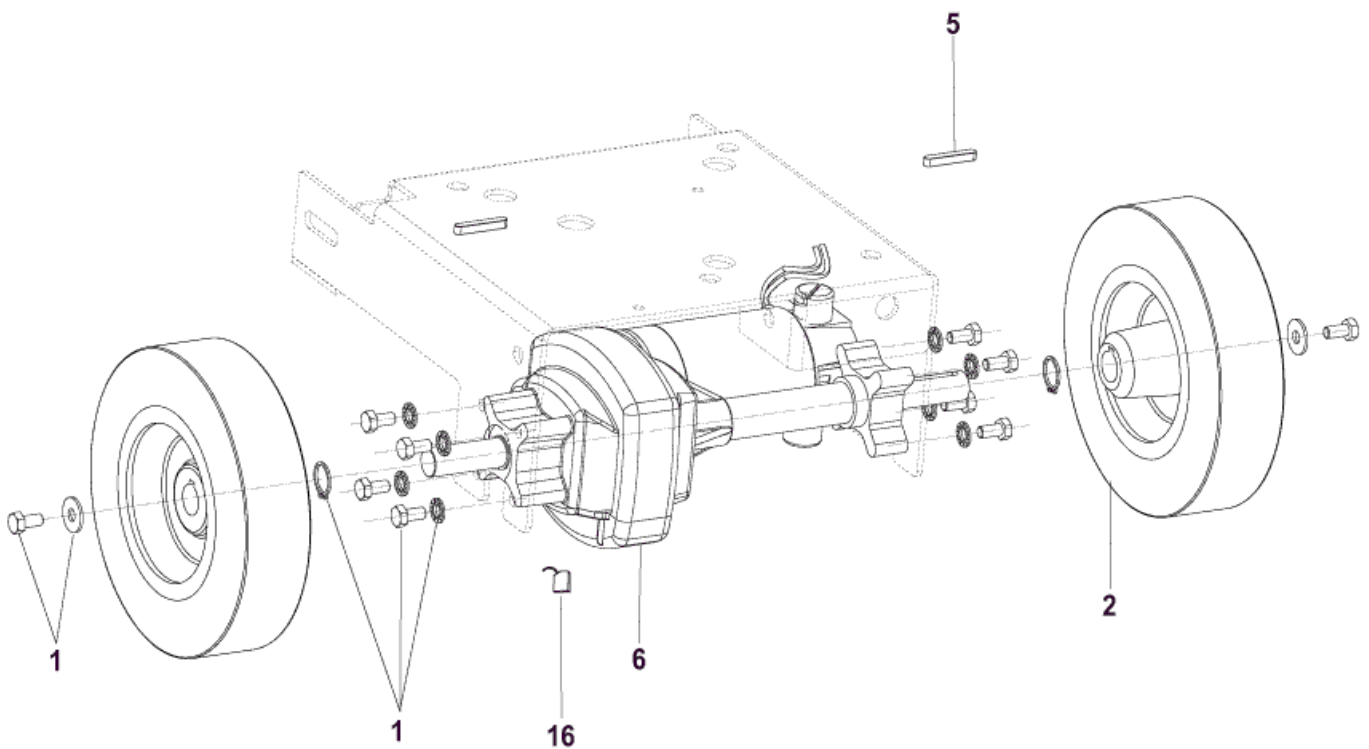
ET-Liste-Nr.  
SCRUBTEC545B05

11

## WITHOUT TRACTION ( SCRUBTEC 545 B - SCRUBTEC 553 B )



## WITH TRACTION ( SCRUBTEC 545 BL - SCRUBTEC 553 BL - BOOST 5 )



# Wheels and traction

SCRUBTEC 545B-545BL-553B-553BL-BOOST5

17-09-2014

ET-Liste-Nr.  
SCRUBTEC545B05

12

Pos	Artikelnr.	Me	Beschreibung
1	9098298000	1	Befestigungs-Kit f. Antriebsrad
2	9097032000	2	WHEEL FRONT D.200 DRIVE u. bessere Trakt. Ø200mm BTEC BOOST5
2	9099204000	2	Frontrad D200 SCRUBTEC 545 BL - 553 BL
2	9099693000	1	RAD SATZ SEE NOTE
5	146 0769 000	2	Passfeder 6 x 6 x 40
6	909 6548 000	1	MOTOR DRIVE 200W 24V 200W/24V
7	9099743000	1	Vorderrad D.200 Kit contains 2 wheels
8	909 6508 000	1	Achse
13	9098299000	1	RadbefestigungsKit
16	145 5124 000	2	Kohlebürste 2 Stück

POS. 2 - 9099204000 IS AVAILABLE AS SINGLE WHEEL FOR MODELS WHICH ALREADY HAVE BLACK WHEELS

POS. 2 - 9099693000 (WHEELS KIT) HAS REPLACED THE 9098039000 (WHEEL D.200 BLUE) FOR MACHINE UNTIL SERIAL NUMBER 3510134303098

# Handle assembly without traction 545B-553B

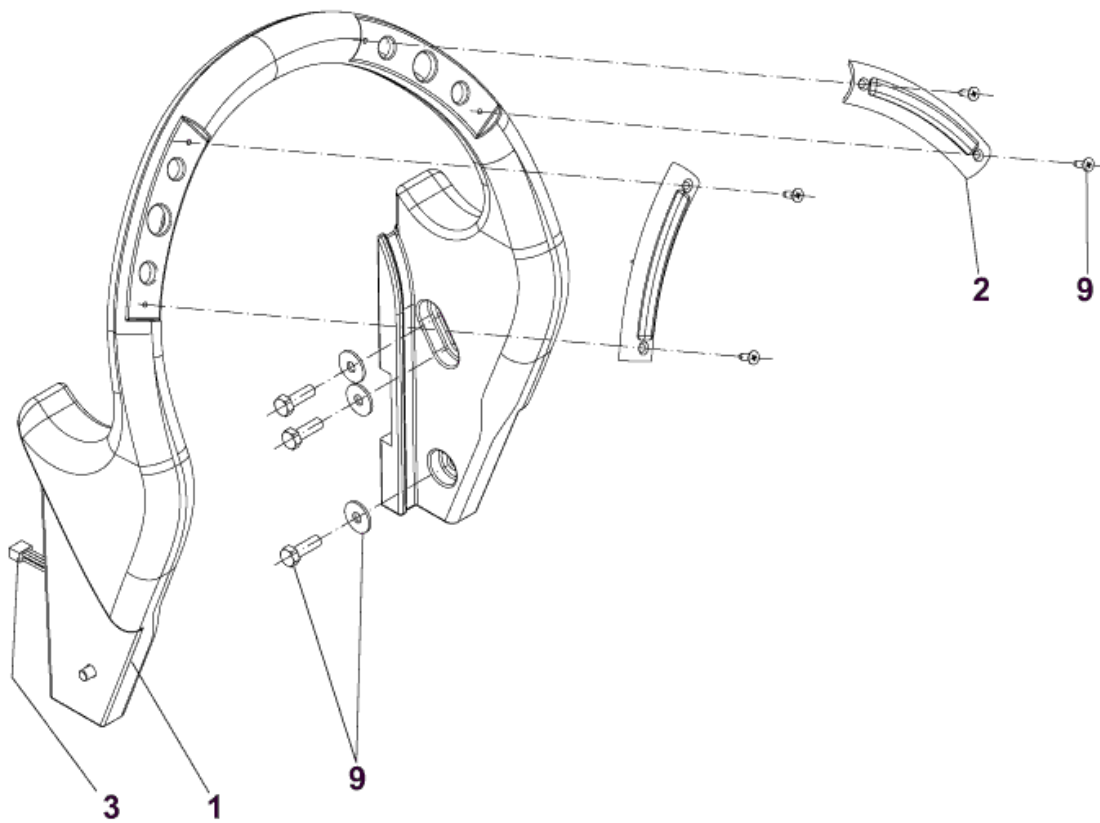
SCRUBTEC 545B-545BL-553B-553BL-BOOST5

17-09-2014

ET-Liste-Nr.  
SCRUBTEC545B07

13

## WITHOUT TRACTION ( SCRUBTEC 545 B - SCRUBTEC 553 B )



# Handle assembly without traction 545B-553E

SCRUBTEC 545B-545BL-553B-553BL-BOOST5

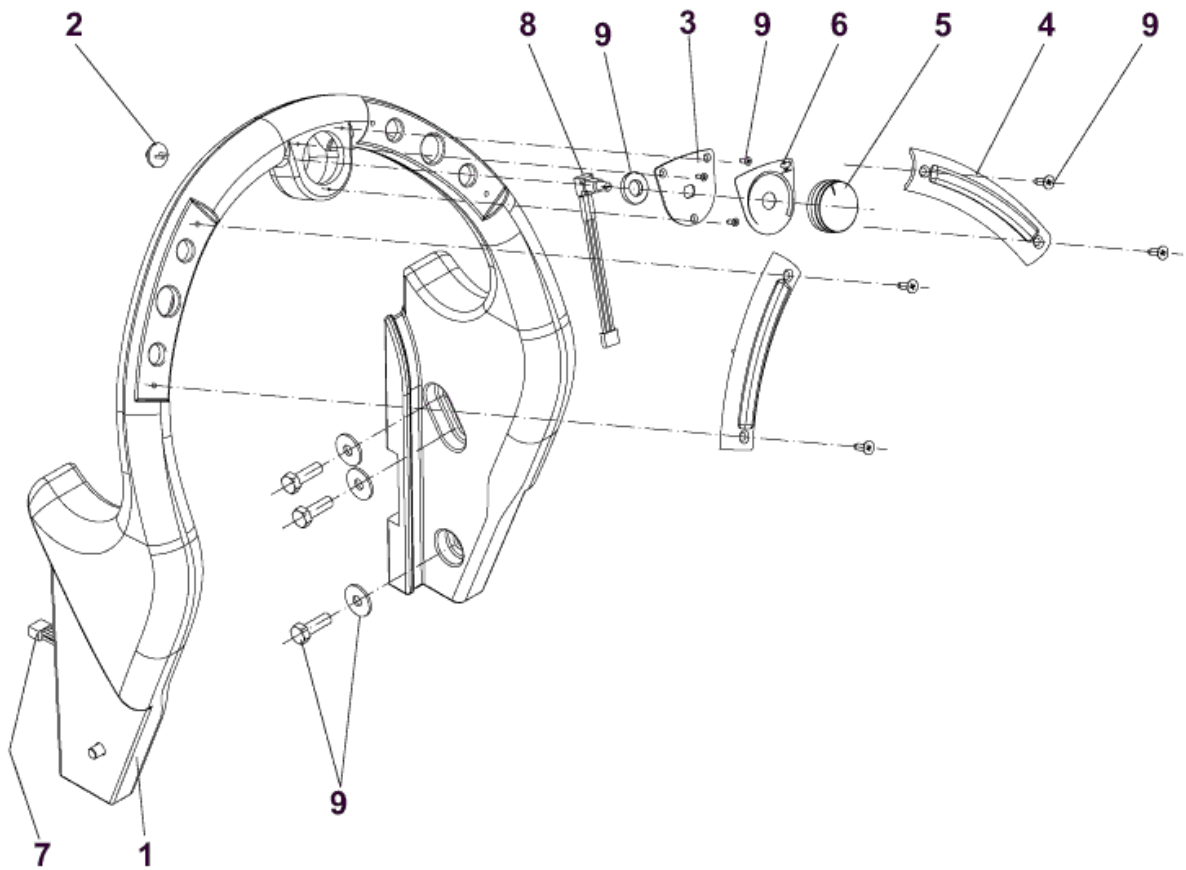
17-09-2014

ET-Liste-Nr.  
SCRUBTEC545B07

14

Pos	Artikelnr.	Me	Beschreibung
1	9097021000	1	HANDLE BAR PLASTIC
2	9097152000	1	BUTTON BRUSH KIT
3	9097036000	1	Kabelbaum, Lenker
9	9098330000	1	Bediengriff-Set Maschine

## WITH TRACTION ( SCRUBTEC 545 BL - SCRUBTEC 553 BL - BOOST 5 )



# Handle assembly with traction 545BL-553BL-BOC

SCRUBTEC 545B-545BL-553B-553BL-BOOST5

17-09-2014

ET-Liste-Nr.  
SCRUBTEC545B08

16

Pos	Artikelnr.	Me	Beschreibung
1	9097018000	1	Lenkstange
2	9097153000	1	SWITCH REVERSE SPEED
3	9097031000	1	PLATE POTENTIOMETER
4	9097152000	1	BUTTON BRUSH KIT
5	9098484000	1	Knopf
6	9097071000	1	DECAL TRACTION CONTROL regelung
7	9097035000	1	Kabelbaum Gelenkachse
8	9097043000	1	POTENTIOMETER
9	9098330000	1	Bediengriff-Set Maschine



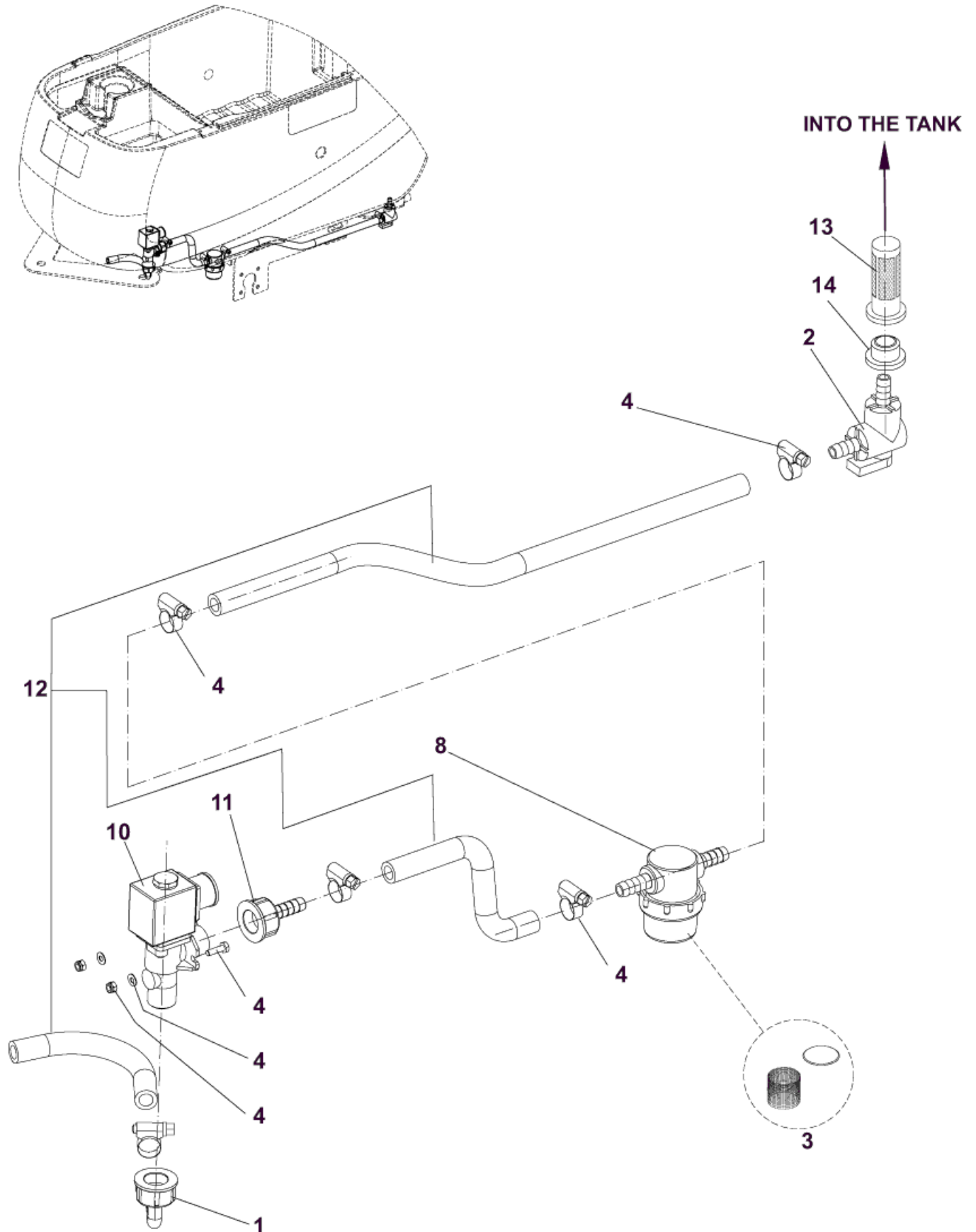
# FRISCHWASSERSYSTEM

SCRUBTEC 545B-545BL-553B-553BL-BOOST5

17-09-2014

ET-Liste-Nr.  
SCRUBTEC545B09

17



# FRISCHWASSERSYSTEM

SCRUBTEC 545B-545BL-553B-553BL-BOOST5

17-09-2014

ET-Liste-Nr.  
SCRUBTEC545B09

18

Pos	Artikelnr.	Me	Beschreibung
1	9098777000	1	Anschlusswinkel 90 GRAD.KIT
2	9096994000	1	VALVE ELBOW
2	9098940000	1	VALVE ELBOW 90. D.10MM FOR 9087259020 ONLY
3	L08603893	1	Filter mit Dichtungssatz
4	9098301000	1	Hardware Solution System Frischwasser System
8	9097166000	1	FILTER COMPLETE KIT
10	909 6555 000	1	SOLENOID VALVE 24V
11	9100000106	1	HOLDER RUBBER 1/2 FEMALE KIT
12	9097170000	1	PIPES SOLENOID VALVE KIT
13	9096916000	1	FILTER SOLUTION TANK Frischwassertank Accessory
14	909 5286 000	1	Dichtung schlauch

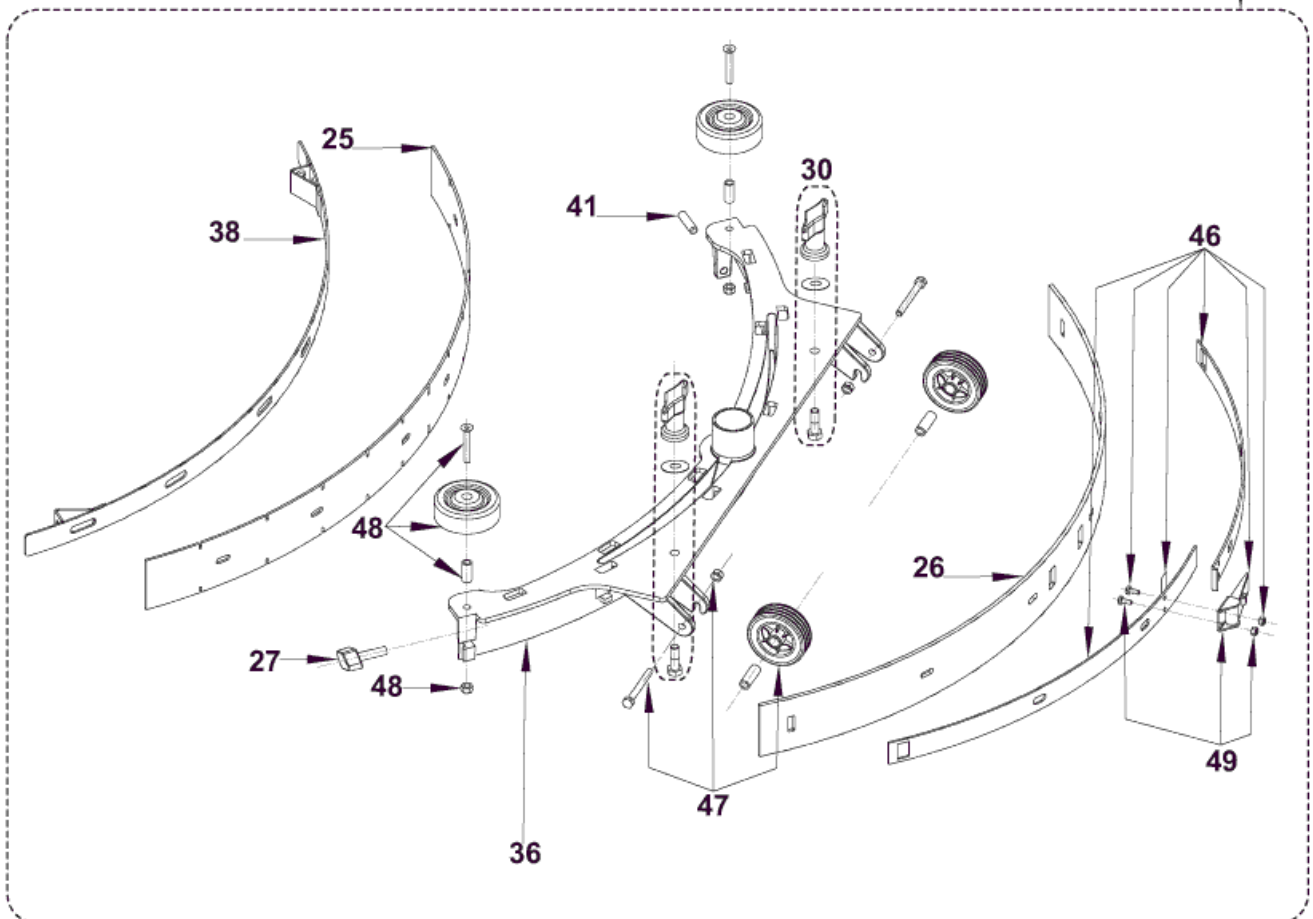
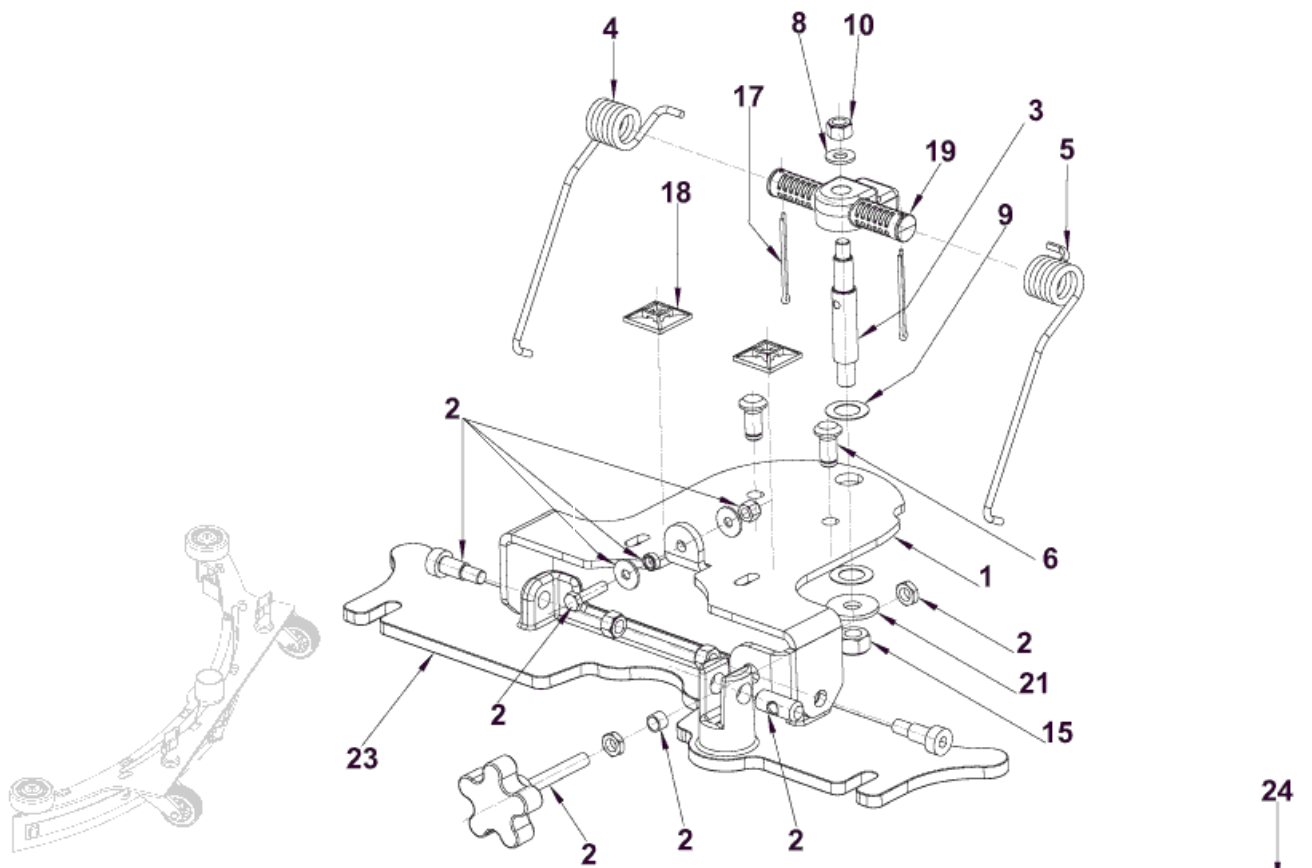
# ABSAUGERSYSTEM

SCRUBTEC 545B-545BL-553B-553BL-BOOST5

17-09-2014

ET-Liste-Nr.  
SCRUBTEC545B10

19



# ABSAUGERSYSTEM

SCRUBTEC 545B-545BL-553B-553BL-BOOST5

17-09-2014

ET-Liste-Nr.  
SCRUBTEC545B10

20

Pos	Artikelnr.	Me	Beschreibung	
0	9097548000	1	WASHER NYLON KIT F.SQUEE.SUPPORT	TSB IT 2007-031
0	910000279	1	BLADES NON MARKING 740MM/29 KIT	INCLUDES POS. 25-26
1	909 6494 000	1	Halterung f. Aufnahme Absaugleiste	
2	909 6885 000	1	HARDWARE SQUEEGEE FIXING KIT	
3	909 6497 000	1	Bolzen	
4	909 6537 000	1	Spannfeder	
5	909 6538 000	1	SPRING.SQUEEGEE PUSHING	
6	909 6543 000	2	Bolzen	
8	33005915	1	Unterlagsscheibe 8x16	
9	L08238300	2	WASHER 15X25 UNI6592	
10	33005607	3	Mutter	
15	33005608	1	Mutter	
17	33005758	2	Splint	
18	909 6635 000	2	Flachanker	
19	909 6052 000	1	SUPPORT.SQUEEGEE SPRING	
21	L08604251	1	WASHER 10X30 UNI6592	
23	909 6045 000	1	SUPPORT, SQUEEGEE BA551/611	TSB IT 2008-003
24	909 6851 000	1	SQUEEGEE CPL ALU KIT 30"	
27	909 6551 000	1	Drehknopf M8X30 SS	
30	9097637000	1	SQUEEGEE FIXING KIT	
36	909 6044 000	1	WELDMENT.SQUEEGEE TOOL	
38	909 6055 000	1	Halteband f. Gummilippe	
41	909 6600 000	1	Schraube M8X30 UNI5929 SS	
46	909 6882 000	1	HARDWARE SQU.BLADE FIXING KIT	
47	909 6883 000	2	WHEELS SQUEEGEE KIT	
48	909 6884 000	2	Abweisrolle - KIT	
49	909 6394 000	1	LATCH SQUEEGEE KIT	

POSITIONS 25-26: 909 6483 000 - 909 6484 000 INCLUDED IN THE KIT 909 6860 000

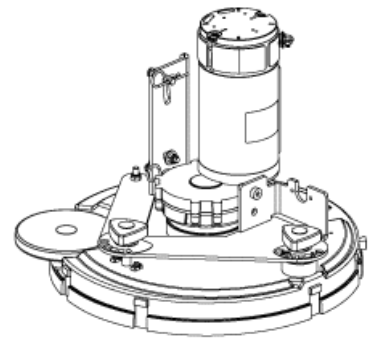
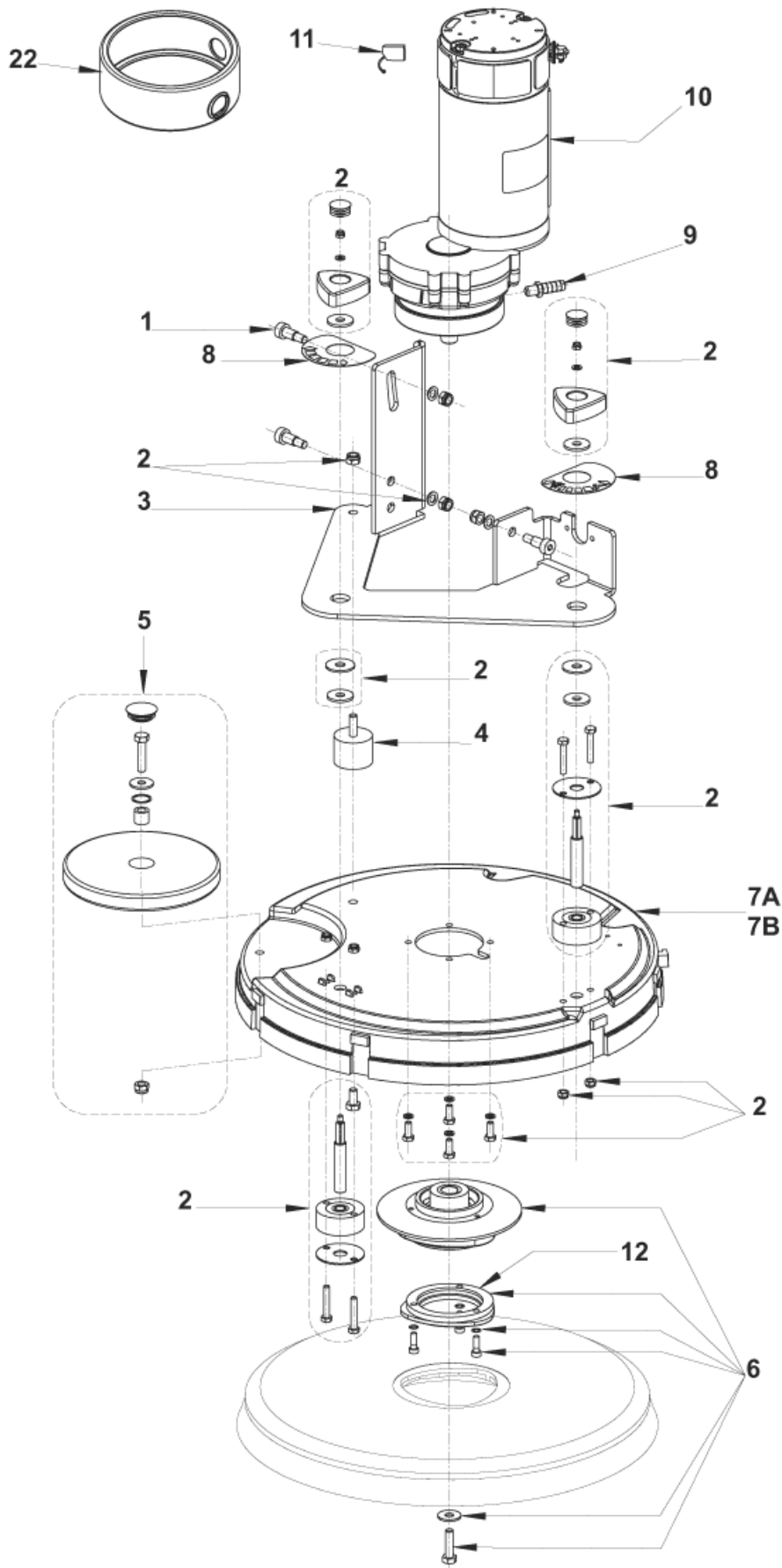
# Brush system 545B-553B

SCRUBTEC 545B-545BL-553B-553BL-BOOST5

17-09-2014

ET-Liste-Nr.  
SCRUBTEC545B11

21



# Brush system 545B-553B

SCRUBTEC 545B-545BL-553B-553BL-BOOST5

17-09-2014

ET-Liste-Nr.  
SCRUB1EC545B11

22

Pos	Artikelnr.	Me	Beschreibung	
1	909 6495 000	3	Schraube M10x16	
2	9099419000	1	HARDWARE BRUSH DECK SYST.KIT Bürstendeck	
3	909 6485 000	1	Aufnahme	
4	9097184000	1	VIBRATION DAMPING M8 60SH	
5	909 6887 000	2	Abweisrollenkit	
6	9097093000	1	Halter	
8	9098089000	1	Aufkleber SCRUBTEC 545-553 B-BL	
9	L08601624	1	HOLDER RUBBER 1/4 D.10	
10	9098308000	1	REDUCTION GEARMOTOR 450W 24V	
11	909 5380 000	1	Kohlebürste KIT	FOR REDUCTION GEARMOTOR 909 6546 000 (LEROY SOMER)
11	9098376000	1	CARBON BRUSHES KIT 4 PCS	FOR REDUCTION GEARMOTOR 9098308000 (AMER)
11	9098674000	1	CARBON BRUSHES KIT 4 PCS	FOR REDUCTION GEARMOTOR 9098352000 (VIPER)
12	L08812480	1	HUB,BRUSH	
22	9097599000	1	Motorschutz Kit nicht mehr lieferbar	TSB IT 2008-014 - Accessory - INSTR. 9097600000
7A	9097079000	1	DECK BRUSH BLACK 450 MM schwarz 450 mm	FOR SCRUBTEC 545B
7B	9097078000	1	Bürstenabdeckung schwarz 530 mm	FOR SCRUBTEC 553B

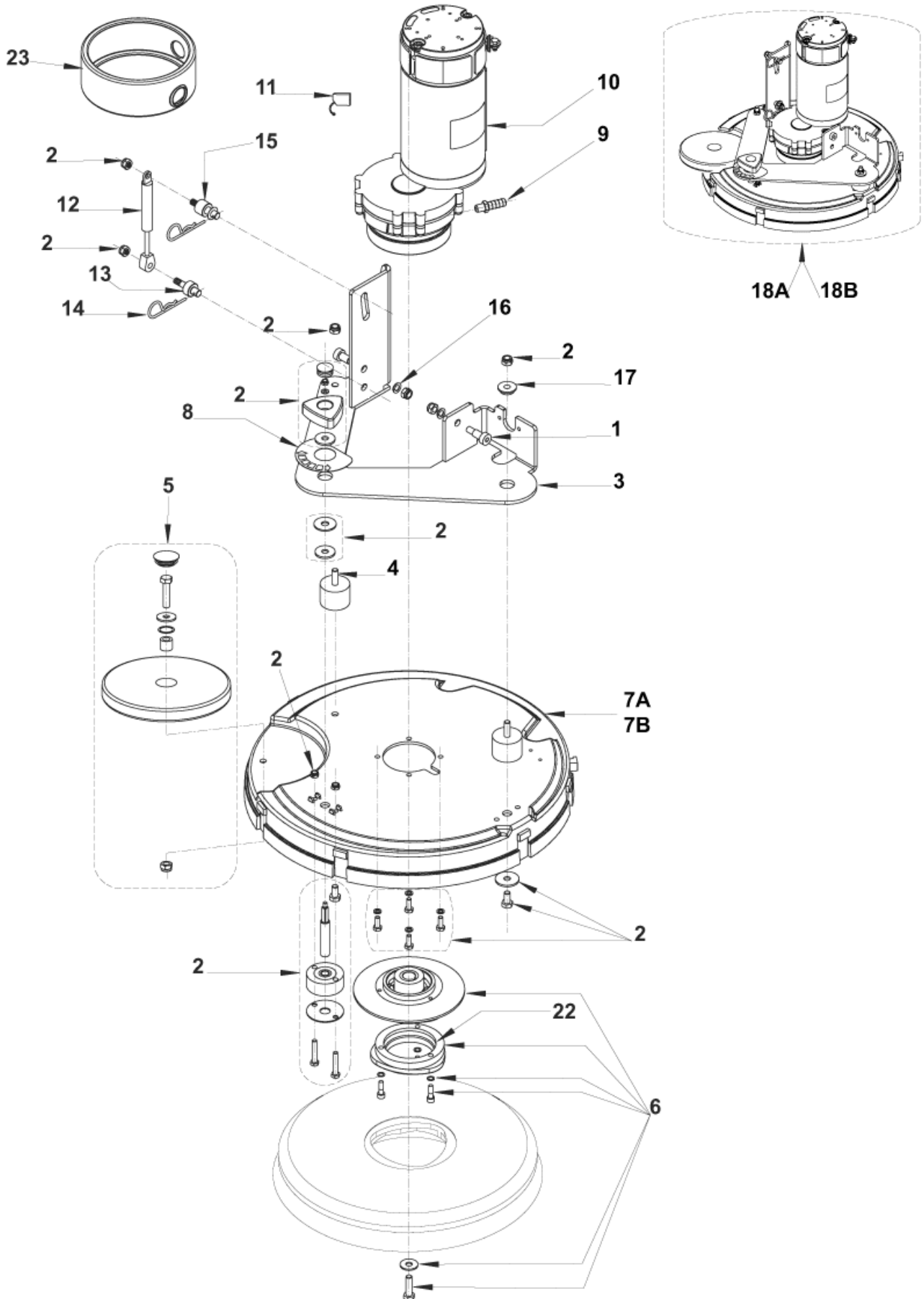
# Brush system 545BL-553BL

SCRUBTEC 545B-545BL-553B-553BL-BOOST5

17-09-2014

ET-Liste-Nr.  
SCRUBTEC545B12

23



# Brush system 545BL-553BL

## SCRUBTEC 545B-545BL-553B-553BL-BOOST5

17-09-2014

ET-Liste-Nr.  
SCRUBTEC545B12

24

Pos	Artikelnr.	Me	Beschreibung	
1	909 6495 000	3	Schraube M10x16	
2	9099419000	1	HARDWARE BRUSH DECK SYST.KIT Bürstendeck	
3	909 6485 000	1	Aufnahme	
4	9097184000	1	VIBRATION DAMPING M8 60SH	
5	909 6887 000	2	Abweisrollenkit	
6	9097093000	1	Halter	
8	9098089000	1	Aufkleber SCRUBTEC 545-553 B-BL	
9	L08601624	1	HOLDER RUBBER 1/4 D.10	
10	9098308000	1	REDUCTION GEARMOTOR 450W 24V	
11	909 5380 000	1	Kohlebürste KIT	FOR REDUCTION GEARMOTOR 909 6546 000 (LEROY SOMER)
11	9098376000	1	CARBON BRUSHES KIT 4 PCS	FOR REDUCTION GEARMOTOR 9098308000 (AMER)
12	9097080000	1	Gasdruckfeder 100N	
13	909 6516 000	1	Pin unten	
14	145 8564 000	2	Splint 3ZN zu AR 4090	
15	909 6515 000	1	Bolzen	
16	33005916	2	Unterlagscheibe M10 UNI6592	
17	909 6513 000	1	Flanschbuchse	
22	L08812480	1	HUB,BRUSH	
23	9097599000	1	Motorschutz Kit nicht mehr lieferbar	TSB IT 2008-014 - OPTION- INSTR. 9097600000
7A	9097079000	1	DECK BRUSH BLACK 450 MM schwarz 450 mm	FOR SCRUBTEC 545BL
7B	9097078000	1	Bürstenabdeckung schwarz 530 mm	FOR SCRUBTEC 553BL
18A	9097176000	1	Bürstendeck 545BL KIT	
18B	9097177000	1	Bürstendeck 543/653 BLKIT	



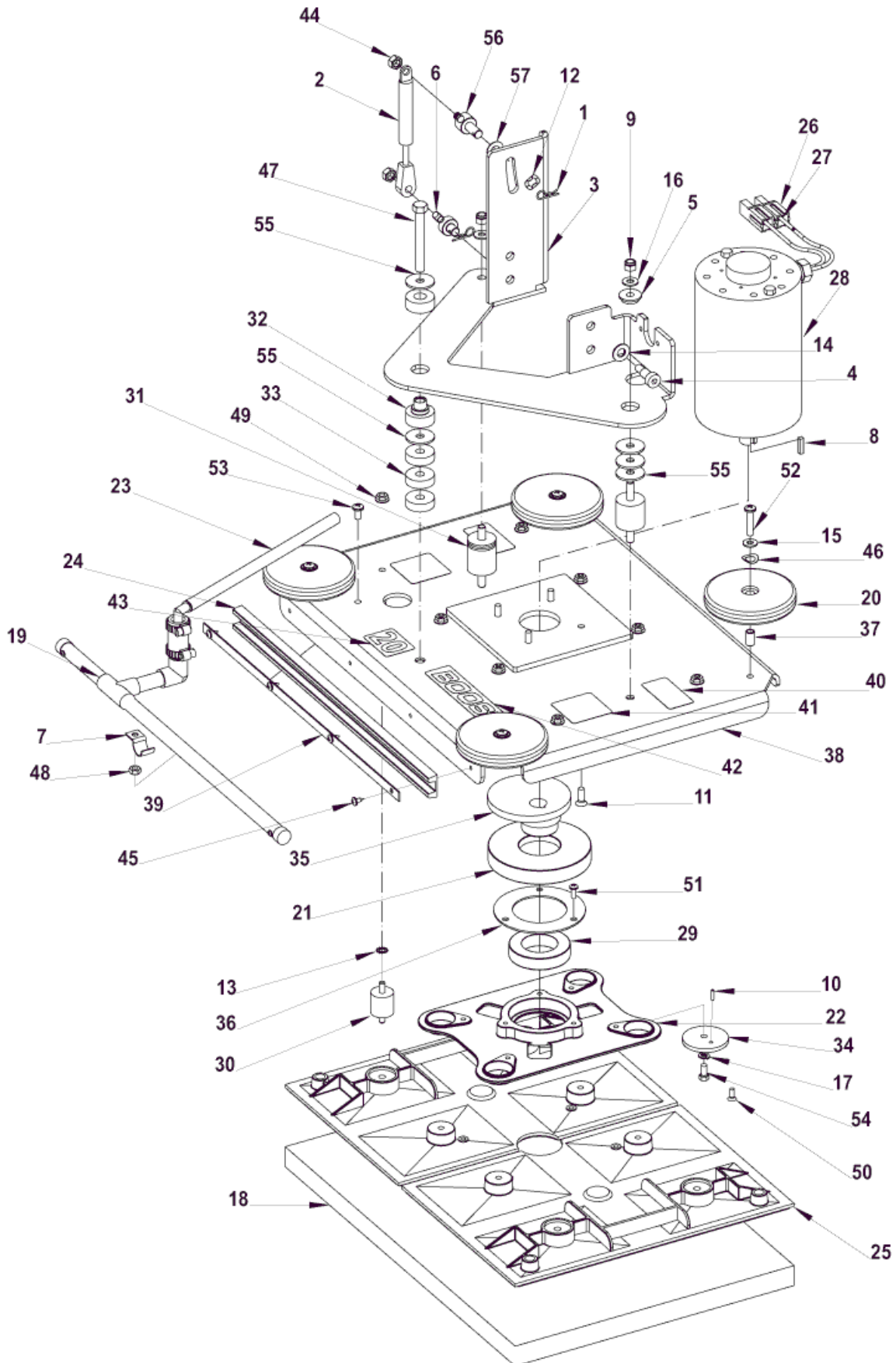
# Brush system BOOST5

SCRUBTEC 545B-545BL-553B-553BL-BOOST5

17-09-2014

ET-Liste-Nr.  
SCRUBTEC545B14

25



# Brush system BOOST5

SCRUBTEC 545B-545BL-553B-553BL-BOOST5

17-09-2014

ET-Liste-Nr.  
SCRUBTEC545B14

26

Pos	Artikelnr.	Me	Beschreibung
1	145 8564 000	2	Splint 3ZN zu AR 4090
2	909 5637 000	1	Feder
3	909 6485 000	1	Aufnahme
4	909 6495 000	1	Schraube M10x16
5	909 6513 000	1	Flanschbuchse
6	909 6516 000	1	Pin unten
7	782002	2	CLAMP-MANIFOLD RM-10 RM-10
8	915082	1	KEY 3/16 X 3/16 X 3/4 LG 3/16 X 3/16 X 3/4 lang
9	920110	2	NUT,LK 5/16-18 REG(PLTD) 5/16-18 REG(metallüberz.)
10	925589	1	1/8 X 1/2 PIN ROLL
11	962098	4	SCR 1/4 -20X 3/4 FL*ST FH ST PH
12	980022	1	WASHER WAVE
13	980614	8	WASHER,LK 1/4 EXT TOOTH(PLTD)
14	980645	1	Scheibe 3/8"
15	980646	4	WASHER, 1/4 SAE FLAT PLTD
16	980651	2	WASHER, 5/16 SAE FLAT
17	980657	1	WASHER,LK 1/4 STD
18	997020	1	PAD RED 14 X 20 5 PACK 5er Pack
19	11175A	1	TUBE ASM DRIP 20
20	30048A	4	Rolle ø100 x ø10-Nabe schwarz K schwarz Ku
21	56380246	1	Exzenterscheibe includes position 35
22	30663A	1	Halteplatte für Treibteller
23	30786A	1	HOSE VINYL 3/8 X 23
24	38741A	1	BUMPER 17
25	56383377	2	KIT FLEX PLATE 20
26	40645A	2	Gehäuse mit Flachstecker US schwarz K US schwarz Ku
27	40657A	2	Stecker für Batteriekabel
28	56390072	1	Motor 24V
29	50736A	1	Ball bearing (obs-18)
30	56380236	1	ISOLATOR KIT BOOST 20 SEE TSB- CL2010-12
31	54445A	2	ISOLATOR STUD MOUNT
32	54446A	1	univ erselle Halterung kpl
33	54641A	3	Distanzstück Nylon 1,25
34	61724A	1	RETAINER ECCENTRIC
35	61753B	1	ECCENTRIC BOOST REPLACED BY: 56380246 - SEE TSB - CL2010-12
36	61775A	1	Lagerhalterung
37	61782A	4	SLEEVE GUIDE WHEEL
38	56381722	1	PLATE WELDT BOOST 20
39	61911A	1	RETAINER BUMPER 17
40	71017A	2	Aufkleber,bewegliche Teile
41	71192A	2	LABEL NO STEP
42	56381702	1	LABEL BOOST
43	71458A	1	LABEL BOOST 20

position 35: not more available as single spare

# Brush system BOOST5

SCRUBTEC 545B-545BL-553B-553BL-BOOST5

17-09-2014

ET-Liste-Nr.  
SCRUBTEC545B14

27

Pos	Artikelnr.	Me	Beschreibung
44	80198A	2	Mutter M8 ISO 10511 selbstsichernd
45	80296A	4	SCREW 10-24 X 3/8 PHCR TYPE 23
46	80317A	4	WASHER BOWED .455 ID X .740 OD
47	80379A	1	Schraube 3/8 16 X 3 HHCS
48	81217A	6	NUT, 1/4-20 X .218H NYLOCK NYLOCK
49	81220A	8	NUTHEX SERRATED FLANGE 1/4-20
50	84236B	4	SCREW 10 32 X 1/2 FLAT HD SS 10-32 X 1/2
51	84237A	3	Screw, 10-32 X 1/2 Pan HD SS 10-32 X 1/2 HD SS
52	85301A	4	SCR 1/4 -20X1&1/4 PN*SS MACH PN SS MACH
53	85395A	2	Schraube Flachkopf 1/4-20X 1/2 X 1/2
54	85737A	1	SCREW, 1/4-20 X 5/8 HEX HD SS 1/4-20 X 5/8
55	87054A	8	WASHER, FENDER .375
56	88638A	1	PIN GAS SPRING UPPER
57	88639A	1	WASHER NYLON .75X.406X.032

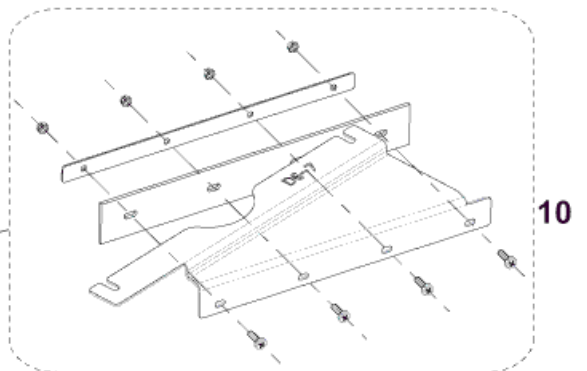
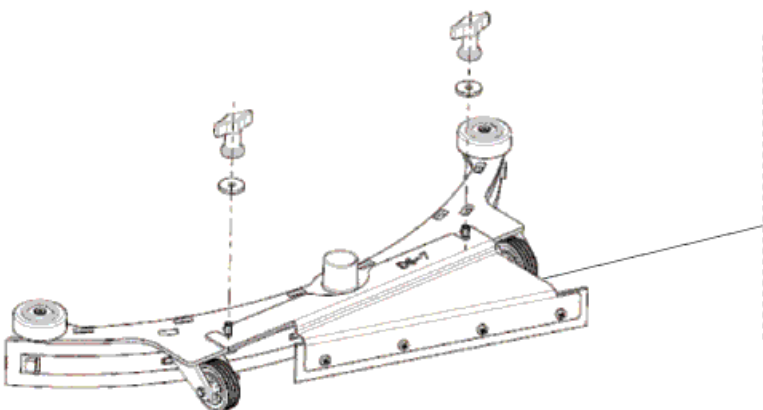
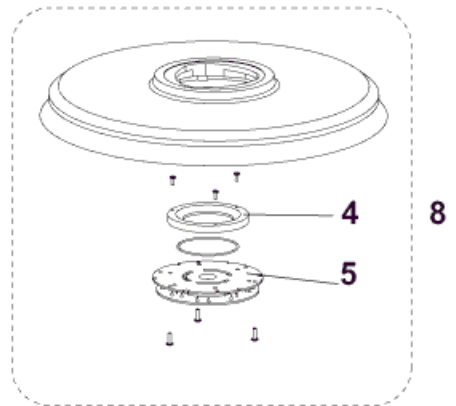
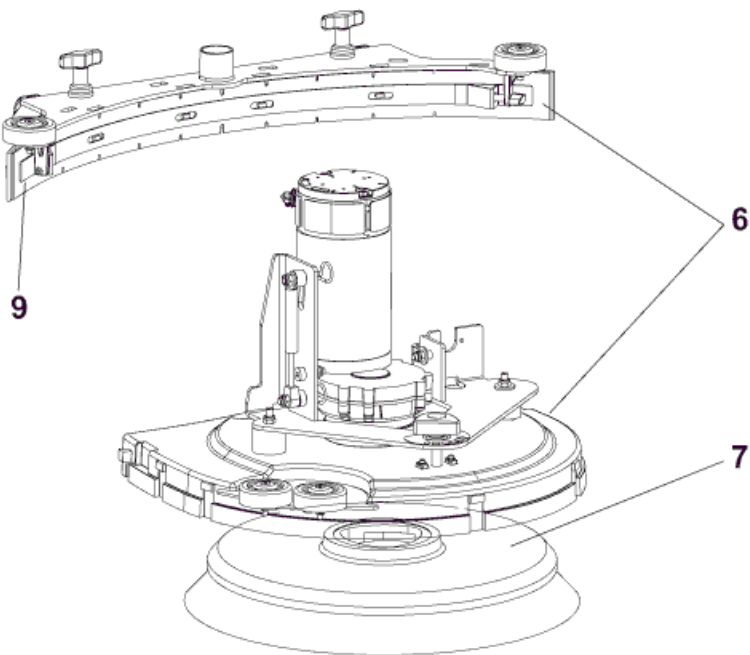
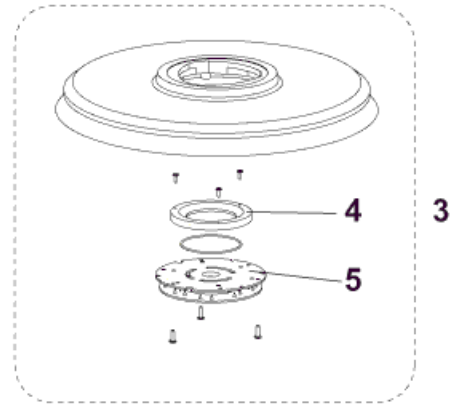
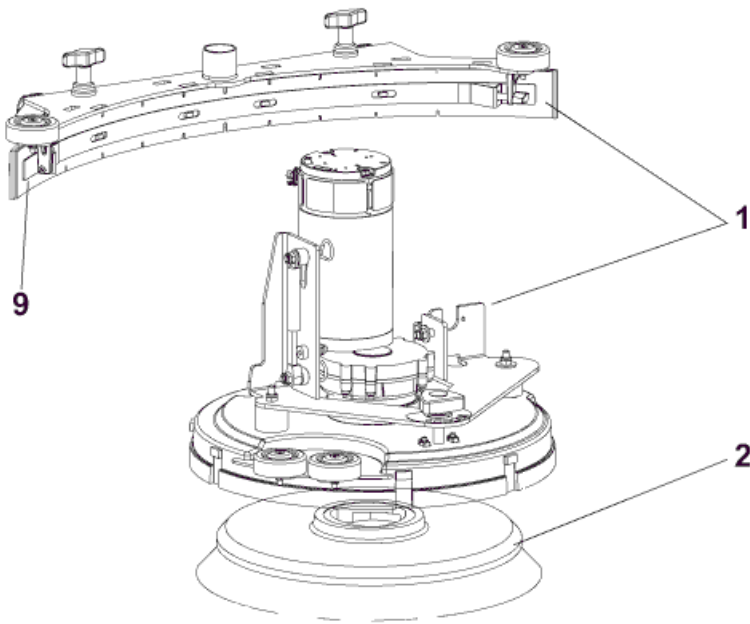
# Zubehör 1

SCRUBTEC 545B-545BL-553B-553BL-BOOST5

17-09-2014

ET-Liste-Nr.  
SCRUBTEC545B15

28



# Zubehör 1

SCRUBTEC 545B-545BL-553B-553BL-BOOST5

17-09-2014

ET-Liste-Nr.  
SCRUBTEC545B15

29

Pos	Artikelnr.	Me	Beschreibung	
0	909 6858 000	1	Sauglippenset Poly urethan	
0	9098854000	1	Winkel für Schlauch KIT	TSB IT 2010-061
0	9100000279	1	BLADES NON MARKING 740MM/29 KIT	
1	9097180000	1	DECK BRUSH 450MM/18 KIT W	
2	L08837020	1	BRUSH PROLENE 450MM PP	
2	L08837021	1	BRUSH PROLITE 450MM nicht mehr lieferbar	
2	L08837022	1	BRUSH UNION MIX 450MM Ø 450 mm	COMPLEXITY REDUCTION
2	L08837023	1	BRUSH MIDLITE GRIT Light Grit	COMPLEXITY REDUCTION
2	L08837024	1	BRUSH MID GRIT 240 450MM nicht mehr lieferbar	COMPLEXITY REDUCTION
3	9099668000	1	PAD HOLDER 17 432MM	
3	L08837017	1	PAD HOLDER 450MM	
4	L08603966	1	PAD HOLDER KIT CPL 305	
5	L08837030	1	Auflage - Halter	
6	9097181000	1	DECK BRUSH 530MM/21 KIT W.SQU.	
7	L08837025	1	BRUSH PROLENE 530MM	
7	L08837026	1	BRUSH PROLITE 530MM	
7	L08837027	1	BRUSH UNION MIX 530MM Ø 530 mm	
7	L08837028	1	BRUSH, MIDLITE 180 GRIT Light Grit	
7	L08837029	1	BRUSH, MIDGRIT MEDIUM Clean Grit	
7	L08837065	1	BRUSH MAGNA GRIT 46 530MM Super Grit	
7	L08837066	1	BRUSH DYNA GRIT 80 530MM f. BA 550	
7	L08837067	1	BRUSH ASLIDEE GRIT 500 f. BA 550	
8	9099671000	1	Padhalter 21" 530mm	
8	L08837018	1	PAD HOLDER 530MM	
9	909 6851 000	1	SQUEEGEE CPL ALU KIT 30"	
9	L08603878	1	SQUEEGEE COMPLETE KIT f. BA/CA 430S/510S	
10	9098343000	1	THIRD BLADE SQUEEGEE KIT D6/7	Accessory - INSTR. 9098337000

# Zubehör 2

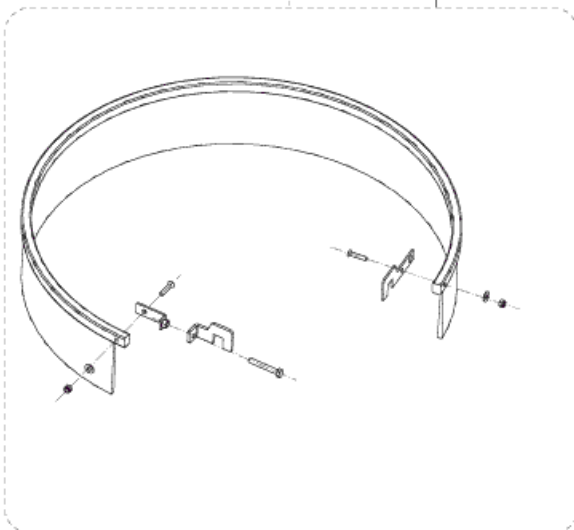
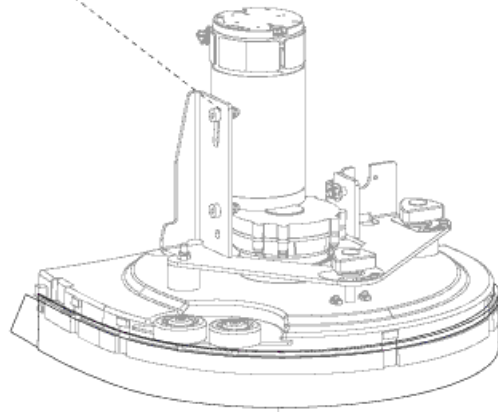
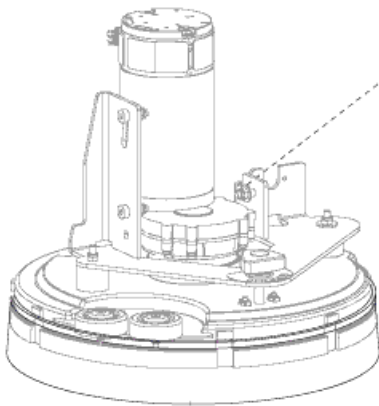
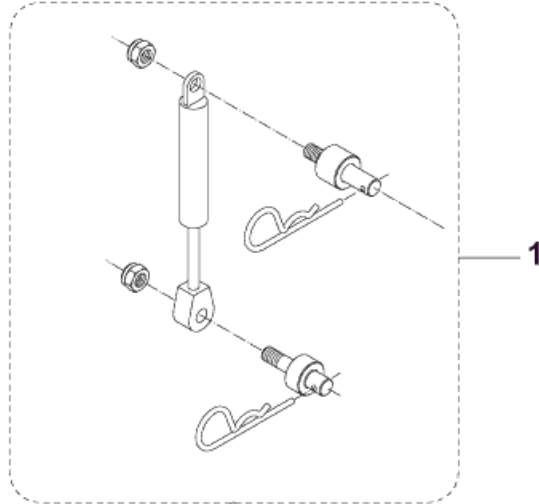
SCRUBTEC 545B-545BL-553B-553BL-BOOST5

17-09-2014

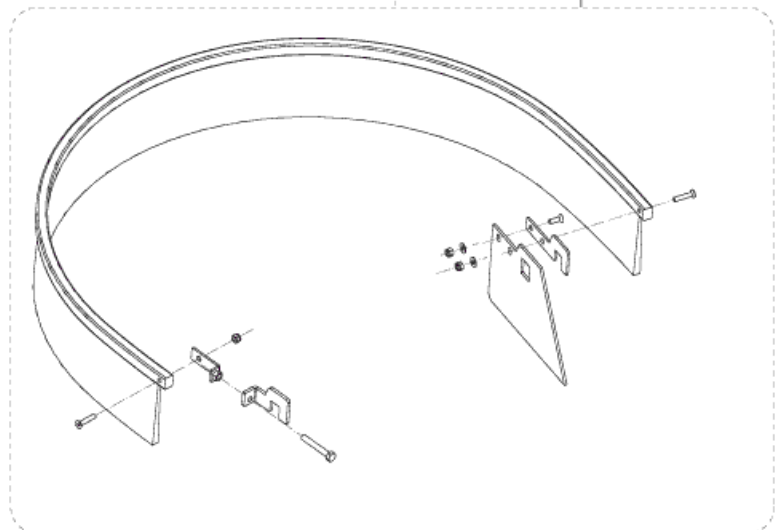
ET-Liste-Nr.  
SCRUBTEC545B16

30

## EXTRA PRESSURE KIT ( SCRUBTEC 545 B - SCRUBTEC 553 B )



**SPLASH GUARD 17" KIT  
( SCRUBTEC 545 B / SCRUBTEC 545 BL )**



**SPLASH GUARD 20" KIT  
( SCRUBTEC 553 B / SCRUBTEC 553 BL )**

# Zubehör 2

SCRUBTEC 545B-545BL-553B-553BL-BOOST5

17-09-2014

ET-Liste-Nr.  
SCRUBTEC545B16

31

Pos	Artikelnr.	Me	Beschreibung	
1	9097185000	1	PRESSURE EXTRA BRUSH KIT GAS SPRING 10K	Accessory - INSTR. 909 6759 000
2	909 6737 000	1	Spritz-Schutz-Kit	Accessory - INSTR. 909 6745 000
3	909 6736 000	1	SPLASH GUARD KIT 531-551	Accessory - INSTR. 909 6745 000

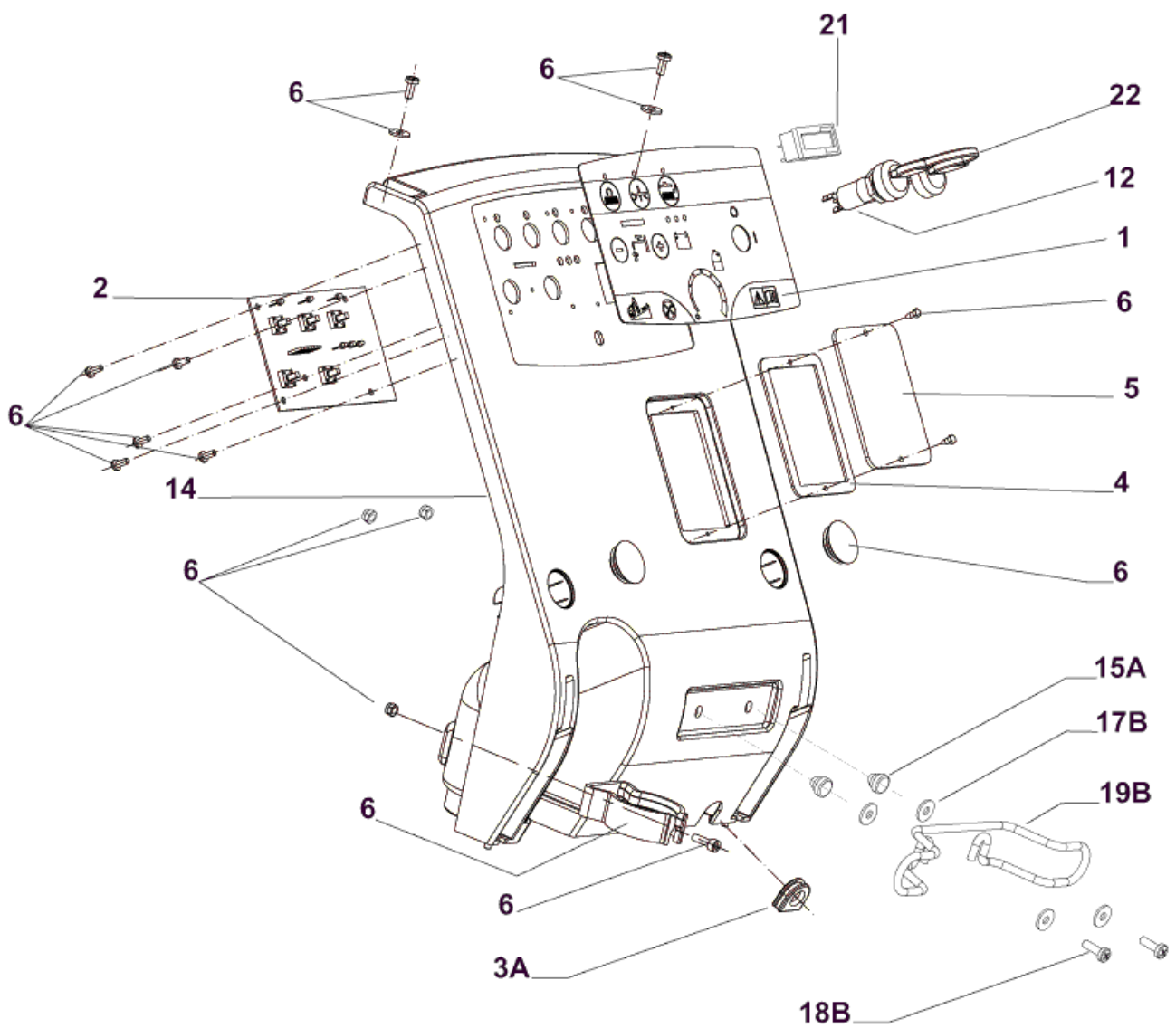
# Control panel system

SCRUBTEC 545B-545BL-553B-553BL-BOOST5

17-09-2014

ET-Liste-Nr.  
SCRUBTEC545B19

32





# Control panel system

SCRUBTEC 545B-545BL-553B-553BL-BOOST5

17-09-2014

ET-Liste-Nr.  
SCRUB1EC545B19

33

Pos	Artikelnr.	Me	Beschreibung	
0	145 8368 000	2	Sicherung 3A Bedienelement	
0	909 6678 000	1	Sicherung 20A GLASS DELAYED	
1	9097025000	1	Bedienfeld	TSB IT 2009-025
2	910000176	1	PLATINE FUNKTIONEN KIT	
4	909 6545 000	1	Dichtung	
6	9098302000	1	Bedienkonsolenkit	
12	146 2888 000	1	Schlüsselschalter Kappe	
14	9098123000	1	COVER EL.COMP. BLUE KIT	
21	9096951000	1	BETRIEBSSTUNDENZÄHLER	Accessory - INSTR. 9096952000
22	146 2887 000	1	KEY (2 PCS)	
3A	909 6542 000	1	Abdichtung Kabel	WITHOUT BATTERY CHARGER ON BOARD
5A	909 6655 000	1	Schauglas	WITHOUT BATTERY CHARGER ON BOARD
15A	909 6553 000	2	Gummi	WITHOUT BATTERY CHARGER ON BOARD
17B	145 1261 000	4	U-Scheibe	WITH BATTERY CHARGER ON BOARD
18B	146 2090 000	2	Schraube M5x16	WITH BATTERY CHARGER ON BOARD
19B	909 5149 000	1	Kabelführung	WITH BATTERY CHARGER ON BOARD

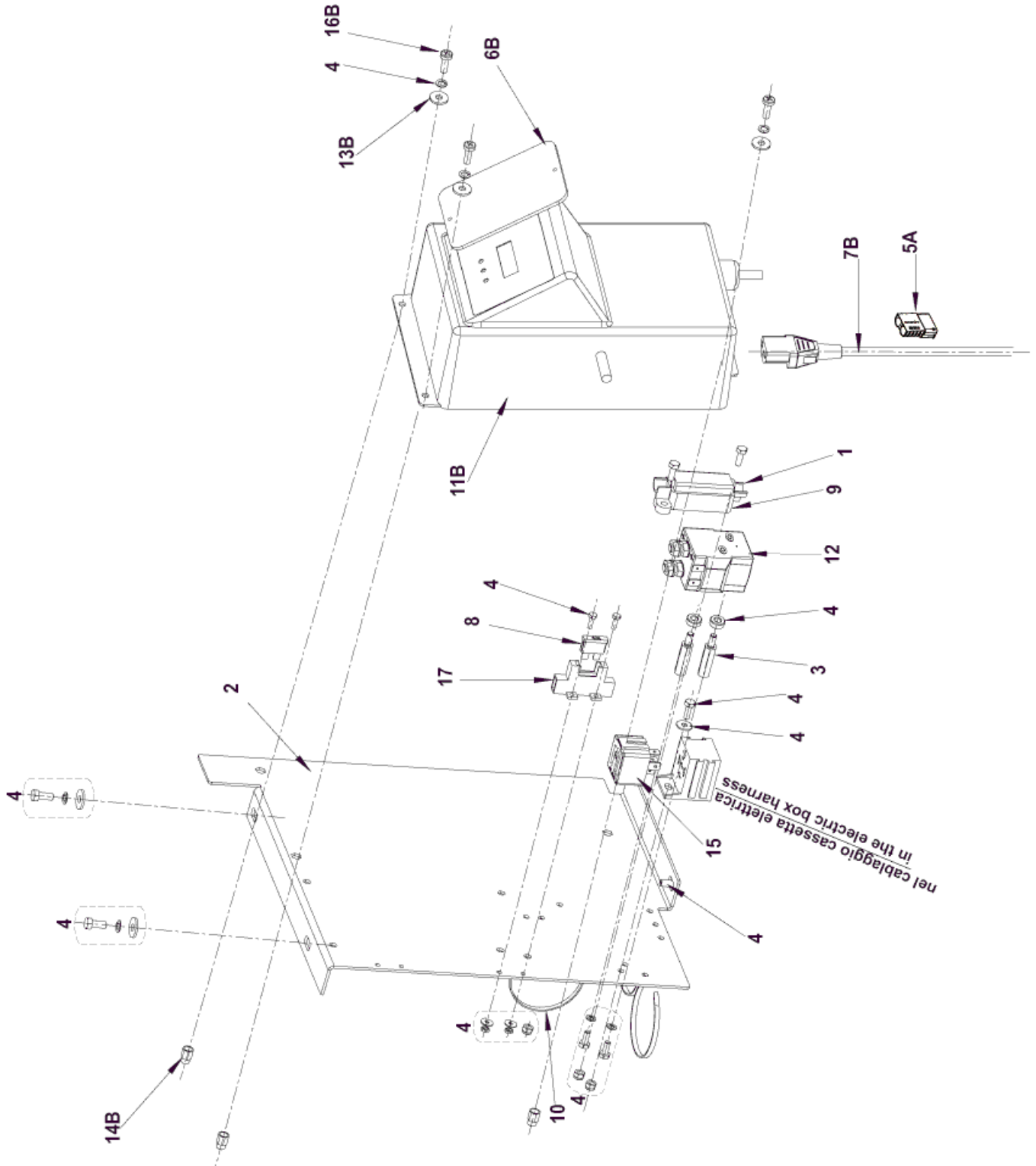
# Electrical components 545B-533B

SCRUBTEC 545B-545BL-553B-553BL-BOOST5

17-09-2014

ET-Liste-Nr.  
SCRUBTEC545B20

34



# Electrical components 545B-533B

SCRUBTEC 545B-545BL-553B-553BL-BOOST5

17-09-2014

ET-Liste-Nr.  
SCRUBTEC545B20

35

Pos	Artikelnr.	Me	Beschreibung	
0	909 6618 000	1	Batteriekabelsatz	
0	909 6840 000	1	HARNESS VACUUM MOTOR	
0	9097034000	1	RATCHET HANDLE ADJUSTER	
0	9097036000	1	Kabelbaum, Lenker	
0	9097039000	1	HARNESS MACHINE	
0	9097590000	1	Batterieverbindungskabel	
1	145 8046 000	1	HOLDER FUSE	
2	909 6498 000	1	Support Electric	
3	909 6676 000	2	Distanzbolzen	
4	9098303000	1	Befestigungskit	
8	145 8513 000	1	Sicherung 30A	
9	145 3824 000	1	Sicherung Strip 40A	
10	145 1449 000	3	TIE CABLE 3.6x140 BLACK	
12	9097209000	1	SWITCH ELECTROMAGNETIC 24V	
15	909 6622 000	1	RELAY 24V 40A	
17	146 0660 000	2	Sicherungshalter	
5A	9098762000	1	Stecker 120A ROT	WITHOUT BATTERY CHARGER ON BOARD
6B	909 5313 000	1	PLATE INSPECTION TRANSP. gerät	WITH BATTERY CHARGER ON BOARD
7B	909 5633 000	1	CABLE EXTENSION	WITH BATTERY CHARGER ON BOARD
7B	909 5676 000	1	Kabel Ex. Plug	WITH BATTERY CHARGER ON BOARD
11B	9098297000	1	CHARGER BATTERY ON BOARD 24V 13A 240V	WITH BATTERY CHARGER ON BOARD
13B	33005912	3	Unterlegscheibe M5	WITH BATTERY CHARGER ON BOARD
14B	145 6132 000	3	INSERT M5	WITH BATTERY CHARGER ON BOARD
16B	146 1711 000	3	SCREW M5X20 UNI7687	WITH BATTERY CHARGER ON BOARD

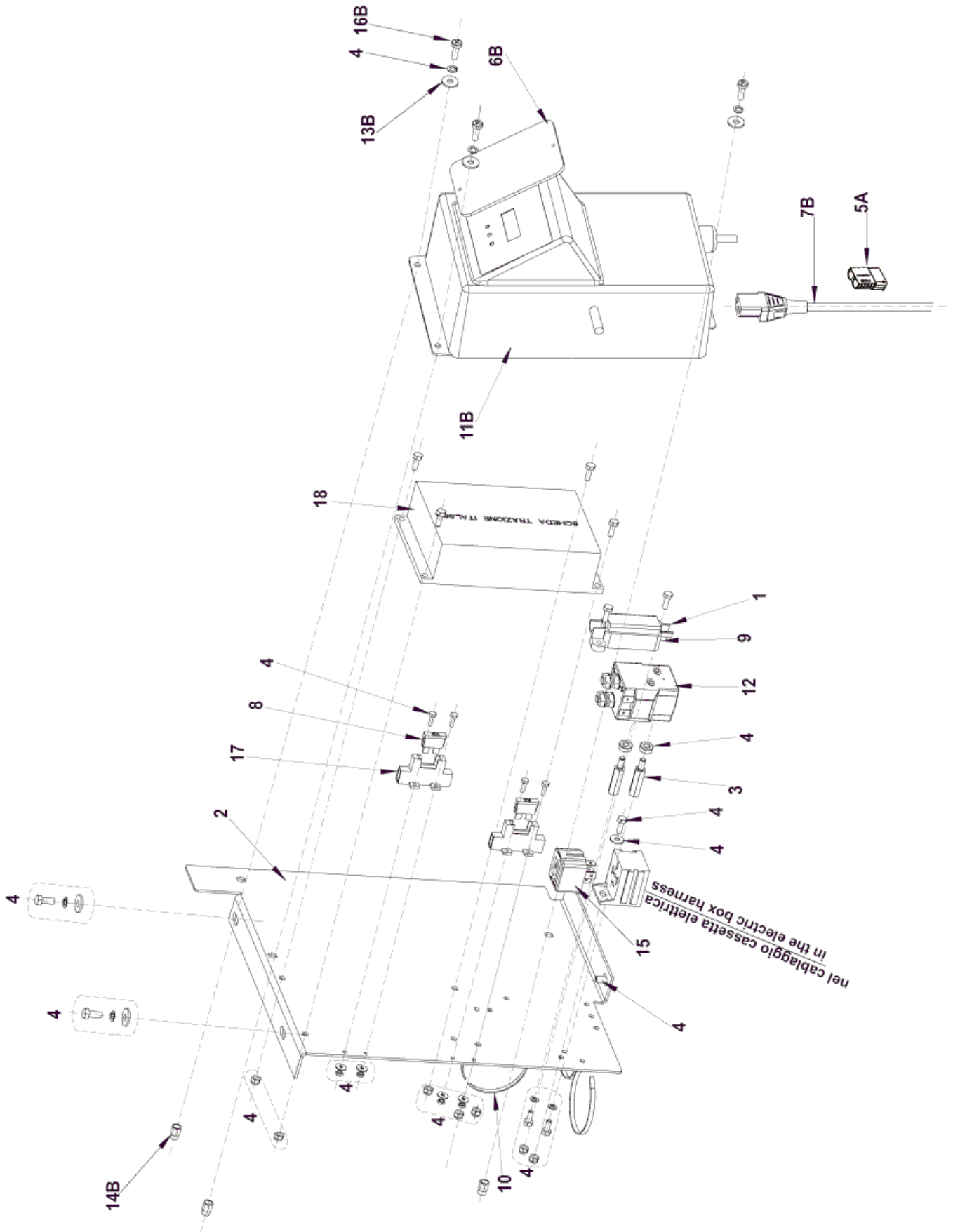
# Electrical components 545BL-533BL-BOOST

SCRUBTEC 545B-545BL-553B-553BL-BOOST5

17-09-2014

ET-Liste-Nr.  
SCRUBTEC545B21

36



# Electrical components 545BL-533BL-BOOST!

SCRUBTEC 545B-545BL-553B-553BL-BOOST5

17-09-2014

ET-Liste-Nr.  
SCRUBTEC545B21

37

Pos	Artikelnr.	Me	Beschreibung	
0	909 6618 000	1	Batteriekabelsatz	
0	909 6840 000	1	HARNESS VACUUM MOTOR	
0	9096964000	1	HARNESS ELECTRIC BOX	
0	9096972000	1	Kabelbaum	
0	9097035000	1	Kabelbaum Gelenkachse	
0	9097590000	1	Batterieverbindungskabel	
0	9098263000	1	HARNESS MACHINE	
1	145 8046 000	1	HOLDER FUSE	
2	909 6498 000	1	Support Electric	
3	909 6676 000	2	Distanzbolzen	
4	9098303000	1	Befestigungskit	contains all Hardware shown in this system
8	145 8513 000	1	Sicherung 30A	
9	145 3824 000	1	Sicherung Strip 40A	
10	145 1449 000	3	TIE CABLE 3.6x140 BLACK	
12	9097209000	1	SWITCH ELECTROMAGNETIC 24V	
15	909 6622 000	1	RELAY 24V 40A	
17	146 0660 000	2	Sicherungshalter	
18	9100000173	1	CARD ELECTRONIC TRACTION KIT	
5A	9098762000	1	Stecker 120A ROT	WITHOUT BATTERY CHARGER ON BOARD
6B	909 5313 000	1	PLATE INSPECTION TRANSP. gerät	WITH BATTERY CHARGER ON BOARD
7B	909 5633 000	1	CABLE EXTENSION	WITH BATTERY CHARGER ON BOARD
7B	909 5676 000	1	Kabel Ex. Plug	WITH BATTERY CHARGER ON BOARD
11B	9098297000	1	CHARGER BATTERY ON BOARD 24V 13A 240V	WITH BATTERY CHARGER ON BOARD
13B	33005912	3	Unterlegscheibe M5	WITH BATTERY CHARGER ON BOARD
14B	145 6132 000	3	INSERT M5	WITH BATTERY CHARGER ON BOARD
16B	146 1711 000	3	SCREW M5X20 UNI7687	WITH BATTERY CHARGER ON BOARD

# Battery charger accessory kit

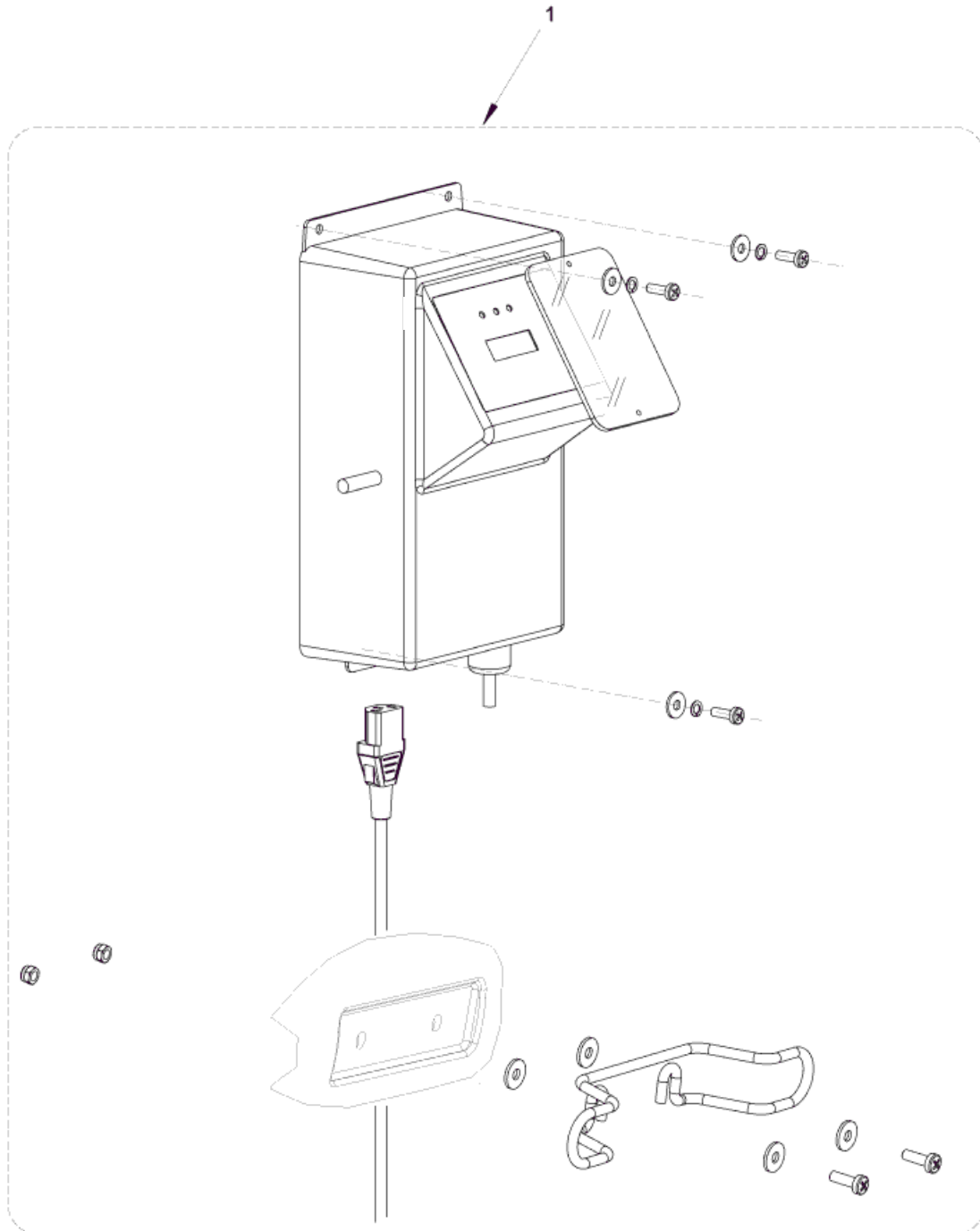
SCRUBTEC 545B-545BL-553B-553BL-BOOST5

17-09-2014

ET-Liste-Nr.  
SCRUBTEC545B22

38

## KIT CARICABATTERIA - BATTERY CHARGER KIT



# Battery charger accessory kit

SCRUBTEC 545B-545BL-553B-553BL-BOOST5

17-09-2014

ET-Liste-Nr.  
SCRUBTEC545BZZ

39

Pos	Artikelnr.	Me	Beschreibung	
1	909 6739 000	1	CHARGER BATTERY CPL KIT Ladegerät Einbau	Accessory - INSTR. 909 6746 000

# Chemical mixing accessory kit

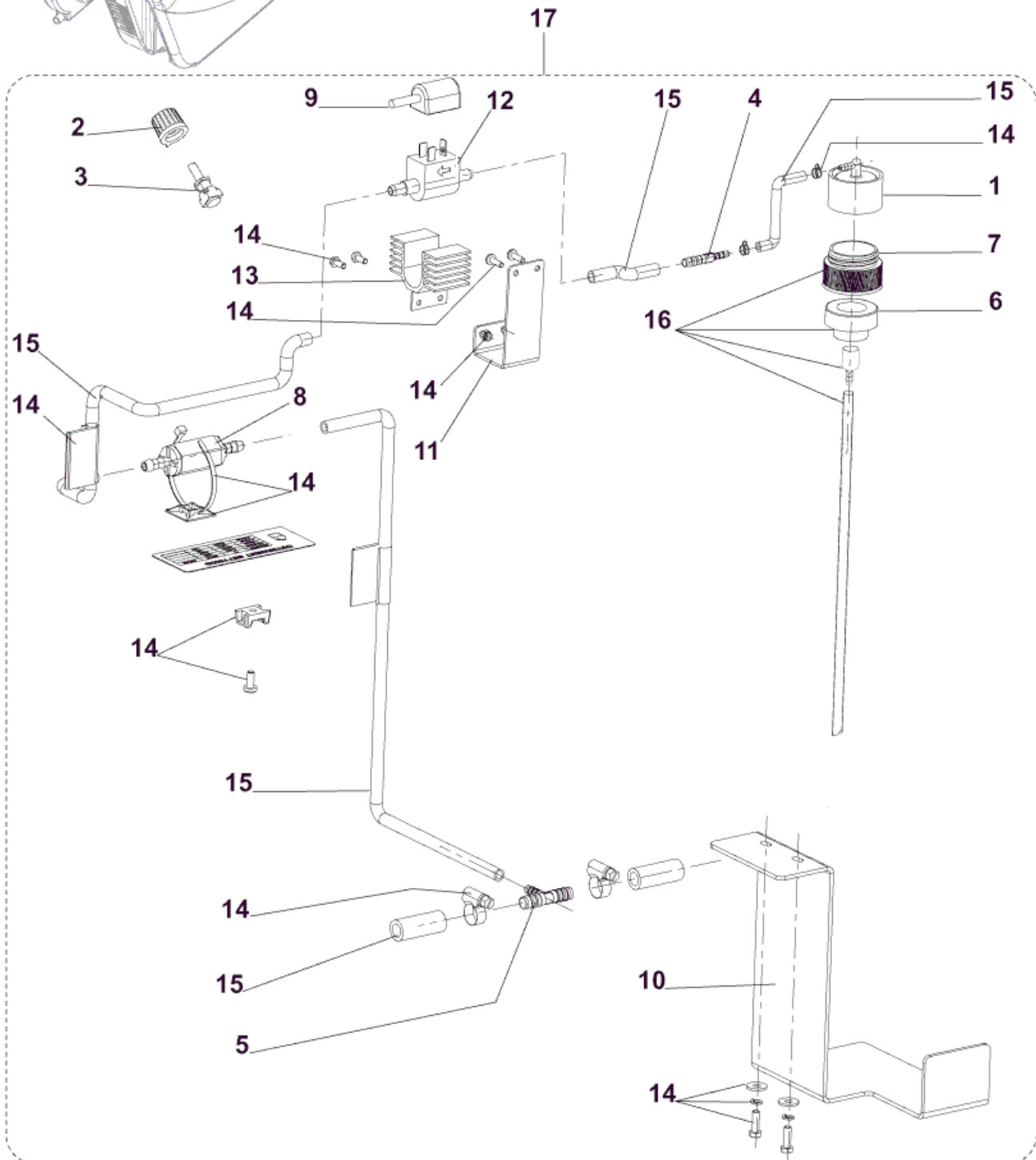
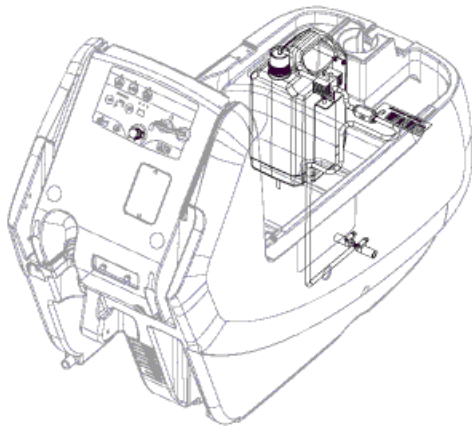
SCRUBTEC 545B-545BL-553B-553BL-BOOST5

17-09-2014

ET-Liste-Nr.  
SCRUBTEC545B23

40

## CHEMICAL MIXING SYSTEM





# Chemical mixing accessory kit

## SCRUBTEC 545B-545BL-553B-553BL-BOOST5

17-09-2014

ET-Liste-Nr.  
SCRUBTEC545BZ3

41

Pos	Artikelnr.	Me	Beschreibung	
0	9097041000	1	HARNESS CHEMICAL PUMP	
1	56315523	1	Deckel EDS-Schwimmer	
2	145 4719 000	1	Drehknopf zuPotentiometer	
3	909 6076 000	1	Potentiometer BR 601	
4	909 6090 000	1	HOLDER RUBBER STRAIGHT	
5	909 6092 000	1	T- Stück	
6	9097022000	1	Niveauf ühler	
7	9097023000	1	Adapter f. Chemie Tank	
8	9097030000	1	Ventil 1/4 "Chemiesteuerung	
9	9097041000	1	HARNESS CHEMICAL PUMP	
10	9097082000	1	Klammer f. Chemietank	
11	9097161000	1	BRACKET PUMP SUPPORT	
12	53721A	1	PUMP CHEMICAL	
13	61772A	1	Halter Reinigungs- mittelpumpe	
14	9098331000	1	HARDWARE CHEMICAL MIXING KIT	
15	9097174000	1	HOSES CHEMICAL MIX KIT	
16	9098025000	1	Reduzierstück f. Chemieschlauch	
17	9097163000	1	CHEMICAL MIXING SYSTEM mischsystem	Accessory - INSTR. 9097162000

**EMPFOHLENE ERSATZTEILE**  
SCRUBTEC 545B-545BL-553B-553BL-BOOST5

17-09-2014

ET-Liste-Nr.  
SCRUBTEC545B24

42

Keine Zeichnung zur ET-Liste

# EMPFOHLENE ERSATZTEILE

## SCRUBTEC 545B-545BL-553B-553BL-BOOST5

17-09-2014

ET-Liste-Nr.  
SCRUBTEC545B24

43

Pos	Artikelnr.	Me	Beschreibung	
1	9098265000	1	HARDWARE SOLUTION TANK KIT	SCRUBTEC 545B - 545BL - 553B - 553BL - BOOST 5
2	909 6874 000	1	CABLE TANK KIT	SCRUBTEC 545B - 545BL - 553B - 553BL - BOOST 5
3	9097296000	1	Frischwasserschlauch	SCRUBTEC 545B - 545BL - 553B - 553BL - BOOST 5
4	L08812457	1	CAP,TANK LOCKING	SCRUBTEC 545B - 545BL - 553B - 553BL - BOOST 5
5	9099853000	1	Saugschlauch schwarz KIT	SCRUBTEC 545B - 545BL - 553B - 553BL - BOOST 5
6	9099166000	1	Ablaufschlauch RAL 9005	SCRUBTEC 545B - 545BL - 553B - 553BL - BOOST 5
7	L08812259	1	CAGE,FLOAT CP	SCRUBTEC 545B - 545BL - 553B - 553BL - BOOST 5
8	L08812373	1	BALL FLOATING	SCRUBTEC 545B - 545BL - 553B - 553BL - BOOST 5
9	9097724000	1	Schwimmer Halter Kit	SCRUBTEC 545B - 545BL - 553B - 553BL - BOOST 5
10	145 0543 000	1	CLAMP 14/32-52	SCRUBTEC 545B - 545BL - 553B - 553BL - BOOST 5
11	909 5371 000	1	CARBON BRUSH	SCRUBTEC 545B - 545BL - 553B - 553BL - BOOST 5
12	9098231000	1	Kohlebürstensatz 2Stck.	SCRUBTEC 545B - 545BL - 553B - 553BL - BOOST 5
13	909 6491 000	1	PANEL,ACOUSTIC INSULATION	SCRUBTEC 545B - 545BL - 553B - 553BL - BOOST 5
14	9096918000	1	Dichtung f. Motor	SCRUBTEC 545B - 545BL - 553B - 553BL - BOOST 5
15	909 6672 000	1	FILTER	SCRUBTEC 545B - 545BL - 553B - 553BL - BOOST 5
16	909 6876 000	1	Befestigungskit	SCRUBTEC 545B - 545BL - 553B - 553BL - BOOST 5
17	909 6877 000	1	Motor Befestigungskit	SCRUBTEC 545B - 545BL - 553B - 553BL - BOOST 5
18	9099028000	2	WHEEL CASTOR WITH HARDWARE KIT (1 Stück)	SCRUBTEC 545BL - 553BL - BOOST 5
19	9099028000	2	WHEEL CASTOR WITH HARDWARE KIT (1 Stück)	SCRUBTEC 545B - 553B
20	909 6878 000	1	Satz Befestigungsteile	SCRUBTEC 545B - 545BL - 553B - 553BL - BOOST 5
21	909 6548 000	1	MOTOR DRIVE 200W 24V 200W/24V	SCRUBTEC 545BL - 553BL - BOOST 5
22	145 5124 000	1	Kohlebürste 2 Stück	SCRUBTEC 545BL - 553BL - BOOST 5
23	9099693000	1	RAD SATZ	SCRUBTEC 545BL - 553BL TILL S/N
24	9097032000	1	WHEEL FRONT D.200 DRIVE u. bessere Trakt. Ø200mm	BTEC BOOST 5
25	9099743000	1	Vorderrad D.200 Kit	SCRUBTEC 545B - 553B
26	9097043000	1	POTENTIOMETER	SCRUBTEC 545BL - 553BL - BOOST 5
27	9098330000	1	Bediengriff-Set Maschine	SCRUBTEC 545B - 545BL - 553B - 553BL - BOOST 5
28	9097166000	1	FILTER COMPLETE KIT	SCRUBTEC 545B - 545BL - 553B - 553BL
29	9097170000	1	PIPES SOLENOID VALVE KIT	SCRUBTEC 545B - 545BL - 553B - 553BL
30	909 6555 000	1	SOLENOID VALVE 24V	SCRUBTEC 545B - 545BL - 553B - 553BL
31	910000106	1	HOLDER RUBBER 1/2 FEMALE KIT	SCRUBTEC 545B - 545BL - 553B - 553BL
32	909 6055 000	1	Halteband f. Gummilippe	SCRUBTEC 545B - 545BL - 553B - 553BL - BOOST 5
33	909 6044 000	1	WELDMENT.SQUEEGEE TOOL	SCRUBTEC 545B - 545BL - 553B - 553BL - BOOST 5
34	9097637000	1	SQUEEGEE FIXING KIT	SCRUBTEC 545B - 545BL - 553B - 553BL - BOOST 5
35	909 6551 000	1	Drehknopf M8X30 SS	SCRUBTEC 545B - 545BL - 553B - 553BL - BOOST 5
38	909 6851 000	1	SQUEEGEE CPL ALU KIT 30"	SCRUBTEC 545B - 545BL - 553B - 553BL - BOOST 5
39	909 6882 000	1	HARDWARE SQU.BLADE FIXING KIT	SCRUBTEC 545B - 545BL - 553B - 553BL - BOOST 5
40	909 6883 000	1	WHEELS SQUEEGEE KIT	SCRUBTEC 545B - 545BL - 553B - 553BL - BOOST 5
41	909 6884 000	1	Abweisrolle - KIT	SCRUBTEC 545B - 545BL - 553B - 553BL - BOOST 5
42	909 6885 000	1	HARDWARE SQUEEGEE FIXING KIT	SCRUBTEC 545B - 545BL - 553B - 553BL - BOOST 5
43	909 6394 000	1	LATCH SQUEEGEE KIT	SCRUBTEC 545B - 545BL - 553B - 553BL - BOOST 5
44	9097176000	1	Bürstendeck 545BL KIT	SCRUBTEC 545BL
45	9097177000	1	Bürstendeck 543/653 BLKIT	SCRUBTEC 545BL

POSITION 36-37: 909 6483 000 - 909 6484 000 INCLUDED IN THE KIT 909 6860 000

POSITION 23 9098039000 REPLACED BY THE KIT 9099693000 FOR MACHINE BEFORE SERIAL NUMBER

# EMPFOHLENE ERSATZTEILE

## SCRUBTEC 545B-545BL-553B-553BL-BOOST5

17-09-2014

ET-Liste-Nr.  
SCRUBTEC545B24

44

Pos	Artikelnr.	Me	Beschreibung	
46	9097079000	1	DECK BRUSH BLACK 450 MM schwarz 450 mm	SCRUBTEC 545B
47	9097078000	1	Bürstenabdeckung schwarz 530 mm	SCRUBTEC 545BL - 553B - 553BL
48	9098308000	1	REDUCTION GEARMOTOR 450W 24V	SCRUBTEC 545B - 545BL - 553B - 553BL
49	909 6355 000	1	Abstandsrolle KIT	SCRUBTEC 545B - 545BL - 553B - 553BL
50	L08601624	1	HOLDER RUBBER 1/4 D.10	SCRUBTEC 545B - 545BL - 553B - 553BL
51	9097184000	1	VIBRATION DAMPING M8 60SH	SCRUBTEC 545B - 545BL - 553B - 553BL
52	145 8564 000	1	Splint 3ZN zu AR 4090	SCRUBTEC 545BL - 553BL
53	9099419000	1	HARDWARE BRUSH DECK SYST.KIT Bürstendeck	SCRUBTEC 545B - 545BL - 553B - 553BL
54	9097080000	1	Gasdruckfeder 100N	SCRUBTEC 545BL - 553BL
55	56380236	1	ISOLATOR KIT BOOST 20	SCRUBTEC BOOST 5
56	54445A	1	ISOLATOR STUD MOUNT	SCRUBTEC BOOST 5
57	54446A	1	universelle Halterung kpl	SCRUBTEC BOOST 5
58	56383377	1	KIT FLEX PLATE 20	SCRUBTEC BOOST 5
59	11175A	1	TUBE ASM DRIP 20	SCRUBTEC BOOST 5
60	30663A	1	Halteplatte für Treibsteller	SCRUBTEC BOOST 5
61	56390072	1	Motor 24V	SCRUBTEC BOOST 5
62	50736A	1	Ball bearing (obs-18)	SCRUBTEC BOOST 5
63	61724A	1	RETAINER ECCENTRIC	SCRUBTEC BOOST 5
65	61775A	1	Lagerhalterung	SCRUBTEC BOOST 5
66	40645A	1	Gehäuse mit Flachstecker US schwarz K US schwarz Ku	BOOST 5
67	40657A	1	Stecker für Batteriekabel	SCRUBTEC BOOST 5
68	9097025000	1	Bedienfeld	SCRUBTEC 545B - 545BL - 553B - 553BL - BOOST 5
69	146 2888 000	1	Schlüsselschalter Kappe	SCRUBTEC 545B - 545BL - 553B - 553BL - BOOST 5
70	9100000176	1	PLATINE FUNKTIONEN KIT	SCRUBTEC 545B - 545BL - 553B - 553BL - BOOST 5
71	145 8368 000	1	Sicherung 3A Bedienelement	SCRUBTEC 545B - 545BL - 553B - 553BL - BOOST 5
72	909 6678 000	1	Sicherung 20A GLASS DELAYED	SCRUBTEC 545B - 545BL - 553B - 553BL - BOOST 5
73	9100000173	1	CARD ELECTRONIC TRACTION KIT	SCRUBTEC 545B - 545BL - 553B - 553BL - BOOST 5
74	9098762000	1	Stecker 120A ROT	SCRUBTEC 545B - 545BL - 553B - 553BL - BOOST 5
75	9097209000	1	SWITCH ELECTROMAGNETIC 24V	SCRUBTEC 545B - 545BL - 553B - 553BL - BOOST 5
76	909 6622 000	1	RELAY 24V 40A	SCRUBTEC 545B - 545BL - 553B - 553BL - BOOST 5
77	145 3824 000	1	Sicherung Strip 40A	SCRUBTEC 545B - 545BL - 553B - 553BL - BOOST 5
78	145 8513 000	1	Sicherung 30A	SCRUBTEC 545B - 545BL - 553B - 553BL - BOOST 5
79	9098297000	1	CHARGER BATTERY ON BOARD 24V 13A 240V	ALL SCRUBTEC W/BATTERY CHARGER ON BOARD

POSITION 36-37: 909 6483 000 - 909 6484 000 INCLUDED IN THE KIT 909 6860 000

POSITION 23 9098039000 REPLACED BY THE KIT 9099693000 FOR MACHINE BEFORE SERIAL NUMBER

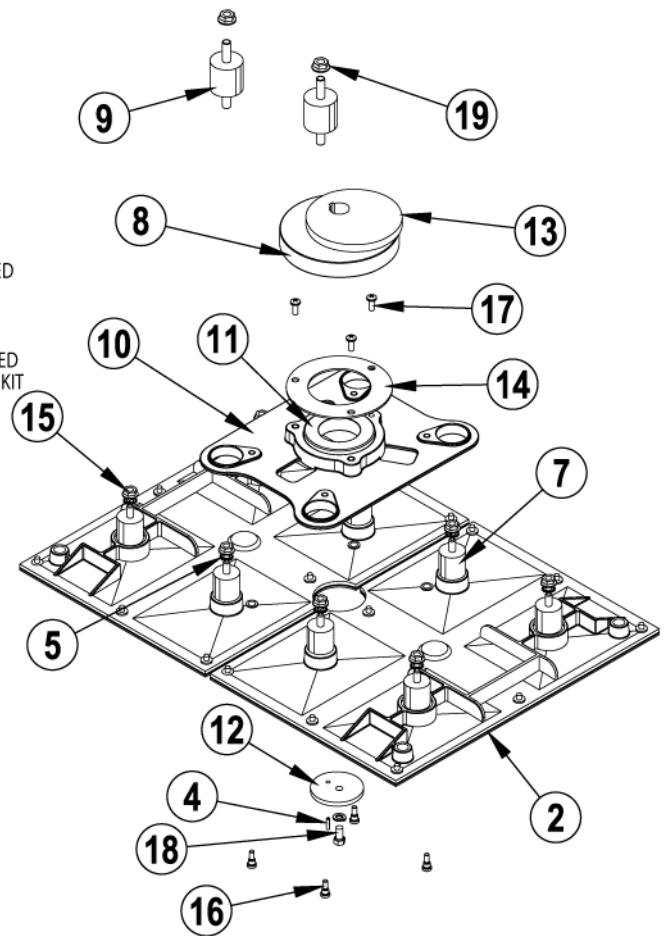
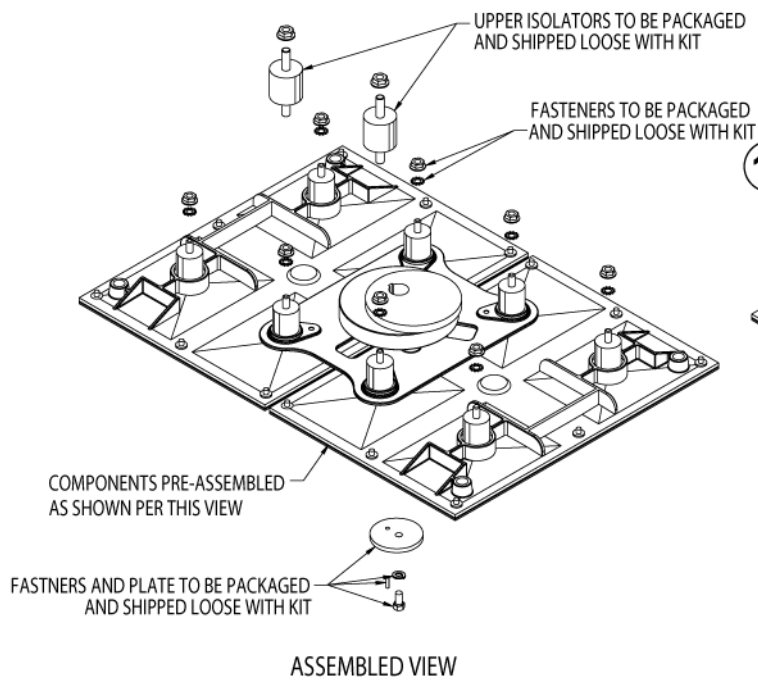
# 56380209 - Flex Plate 20 Kit

SCRUBTEC 545B-545BL-553B-553BL-BOOST5

17-09-2014

ET-Liste-Nr.  
IS56090044

45



# 56380209 - Flex Plate 20 Kit

## SCRUBTEC 545B-545BL-553B-553BL-BOOST5

17-09-2014

ET-Liste-Nr.  
IS56090044

46

Pos	Artikelnr.	Me	Beschreibung
0	56383377	1	KIT FLEX PLATE 20
2	56383374	2	FLEX PLATE ASSY 20
3		1	NOTE COMMENT <span style="float: right;">Loctite 242 Compound Blue 0.5</span>
4	925589	1	1/8 X 1/2 PIN ROLL
5	980614	8	WASHER,LK 1/4 EXT TOOTH(PLTD)
6	980657	1	WASHER,LK 1/4 STD
7	56380190	8	ISOLATOR-30 DURO 1/4-20
8	56380192	1	Lagerschild <span style="float: right;">TSB-CL2010-12</span>
9	56380272	2	ISOLATOR-50 DURO 5/16-18
10	30663A	1	Halteplatte für Treibteller <span style="float: right;">EXPIRED USE 56381491</span>
11	50736A	1	Ball bearing (obs-18)
12	61724A	1	RETAINER ECCENTRIC
13		1	NOTE COMMENT <span style="float: right;">ECCENTRIC BOOST</span>
14	61775A	1	Lagerhalterung
15	81220A	8	NUTHEX SERRATED FLANGE1/4-20
16	56381989	4	BOLT-SHOULDER
17	84237A	3	Screw, 10-32 X 1/2 Pan HD SS 10-32 X 1/2 HD SS
18	85737A	1	SCREW,1/4-20 X 5/8 HEX HD SS 1/4-20 X 5/8
19	81211A	2	NUT HEX SERRATED FLANGE 5/1
K1	56380246	1	Exzentrerscheibe <span style="float: right;">Includes pos. 4, 8,13</span>
K2	56380236	1	ISOLATOR KIT BOOST 20 <span style="float: right;">Includes pos. 3, 5, 7, 9, 15, 19</span>