

430 M

Model:
420 B
430
430 M



Part List US-English

12-02-2015

Table of Contents

430 M

HANDLE (FROM SN. 663300)	3
BASE COVER AND MOTOR (FROM SN. 663300)	6
BASE DRIVE BOTTOM (FROM SN. 663300)	8
ACCESSORIES	11
SU 700	13
SU 750 SUCTION UNIT NEW MODEL (from ultimo 2001)	15
SU 600 SOCTION UNIT BEFORE 2001	17
SPRAYER	19
TANK	21

HANDLE (FROM SN. 663300)

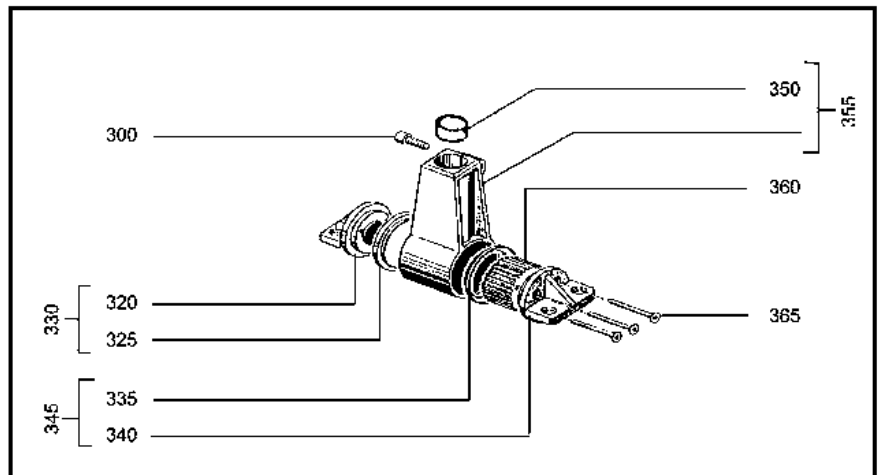
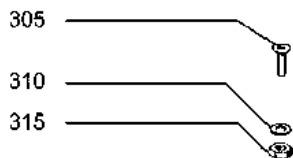
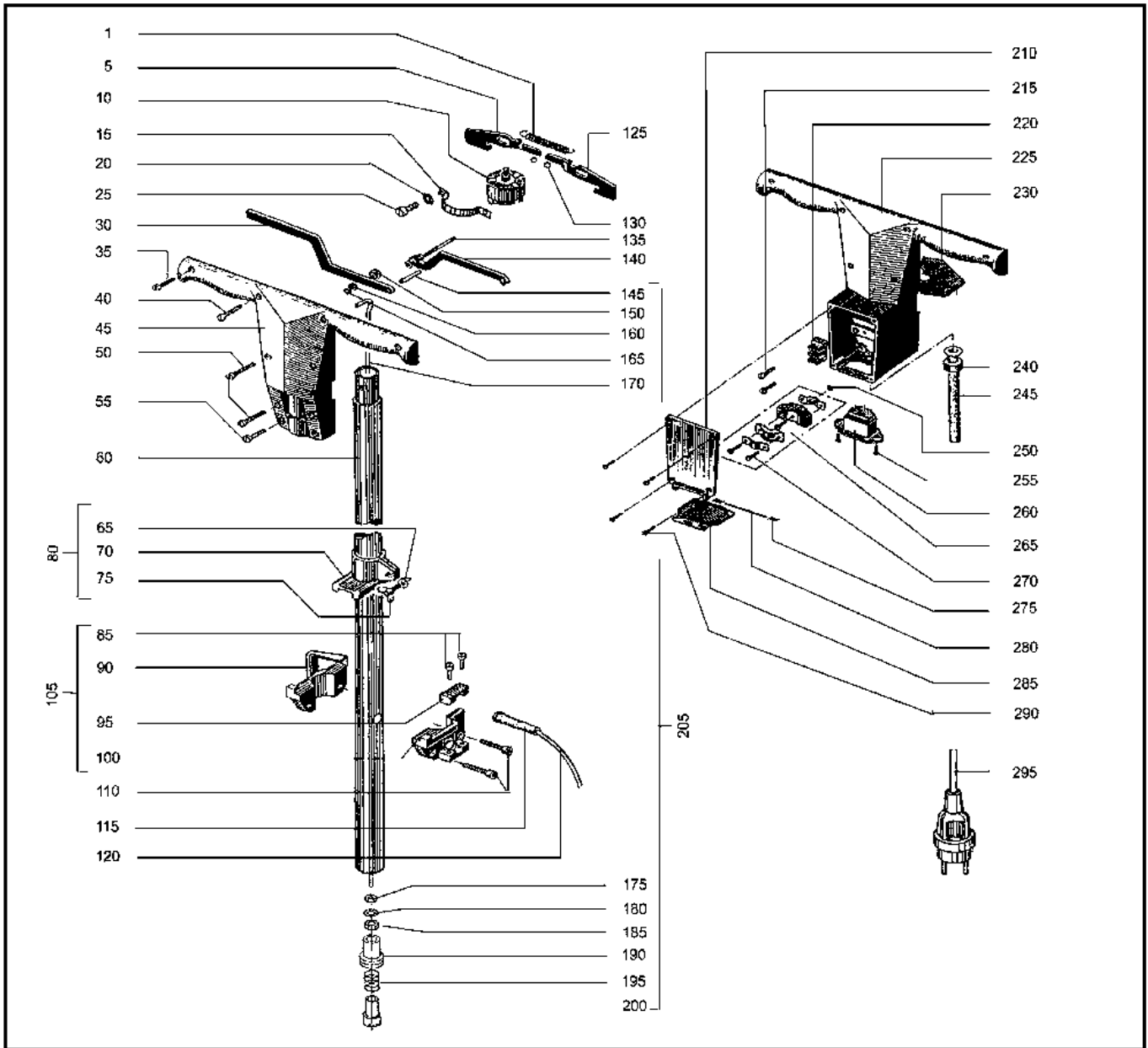
430 M

12-02-2015

Part List ID
DX031-3

3

2
|



1
319

HANDLE (FROM SN. 663300)

430 M

12-02-2015

Part List ID
DXU31-3

4

Pos	Part no.	Qty	Description
1	L08608541	1	TENSION SPRING
5	L08080200	1	BREAKER LEVER
10	L08080300	1	SWITCH
15	L08088800	1	CLAMP
20	33005862	2	WASHER M4 UNI8842A
25	L08070400	2	CYLINDER SCREW M4X10
30	L08080500	1	LEVER ARM
35	L08080700	2	CYLINDER SCREW M5X20
40	L08080800	2	CYLINDER SCREW M5X25
45	L08186300	1	SWITCH HOUSING FRONT
50	L08080900	4	CYLINDER SCREW M5X40
55	L08080700	2	CYLINDER SCREW M5X20
65	L08082200	1	WASHER
70	L08601395	1	TANK HOLDER
75	L08083500	1	WING SCREW M8X25
80	L08601411	1	TANK HOLDER CPL.
85	L08080600	1	CYLINDER SCREW M4X20
90	L08601394	1	CABLE HOLDER
95	L08187000	1	STRAP
100	L08601393	1	CLAMP WITH CABLE TRACTION
105	L08601412	1	CABLE HOLDER CPL.
110	L08043800	2	CYLINDER SCREW M6X16
115	L08088000	1	CABLE HANDLE
120	L08187600	1	CABLE
125	L08080200	1	BREAKER LEVER
130	L08161500	2	STEEL BALL 8MM
135	L08081800	1	PIN FOR HANDLE 5M6X40
140	L08081900	1	HANDLE FOR LIFT 511-421A
145	L08082000	1	PIN 5M6X22
150	L08082100	1	BUSH
160	L08082200	1	WASHER
165	L08082300	1	SEEGER RING
170	L08082400	1	CONNECTOR ROD
175	L08081100	1	NUT C38
180	L08040300	1	WASHER C38
185	33005505	1	NUT HEX M10 UNI5588
190	L08081300	1	BEARING
195	L08081400	1	SPRING FOR HANDLE ROD
200	L08081500	1	BEARING FOR HANDLE C51
205	L08173900	1	HANDLE COMPLETE 421A
210	L08186500	1	PLATE IN CONTACT
215	L08093800	1	SCREW 2.9X16 UNI6954 THD FORMING
220	L08187300	1	BOARD TERMINAL 2 ELEMENT

HANDLE (FROM SN. 663300)

430 M

12-02-2015

Part List ID
DXU31-3

5

Pos	Part no.	Qty	Description
225	L08186200	1	CONTACT INCL. PLUG
230	L08194500	1	INSULATION
240	L08082900	1	RUBBER RING
245	L08081700	1	CABLE SLEEVE HANDLE
250	33005500	1	NUT HEX M4 UNI5588
255	L08196200	1	SCREW C38
260	L08187400	1	PLUG BOX
265	L08080400	1	CLAMP
270	L08080600	2	CYLINDER SCREW M4X20
275	L08095400	2	SPRING
280	L08095600	1	HINGE PIN
285	L08186600	1	COVER FOR SOCKET
290	L08101900	4	COUNTERSUNK SCREW M4X8
295	L08227100	1	CABLE FOR C38/C51 20M
300	33004365	1	SCREW M8X20 UNI5931
305	L08084400	4	COUNTERSUNK SCREW M8X25
310	L08084800	4	DISK A 8.4 A2
315	33005504	4	NUT HEX M8 UNI5588
319	L08163700	1	BASE FOR HANDLE 421A/511A
320	L08605035	1	HOLDER
325	L08160200	1	PLAIN BEARING
330	L08605035	1	HOLDER
335	L08160200	1	PLAIN BEARING
340	L08605035	1	HOLDER
345	L08605035	1	HOLDER
350	L08346600	1	BEARING
355	L08188600	1	LEVER ARM
360	L08084500	1	TOOTHED RING
365	L08084700	3	COUNTERSUNK SCREW M6X4

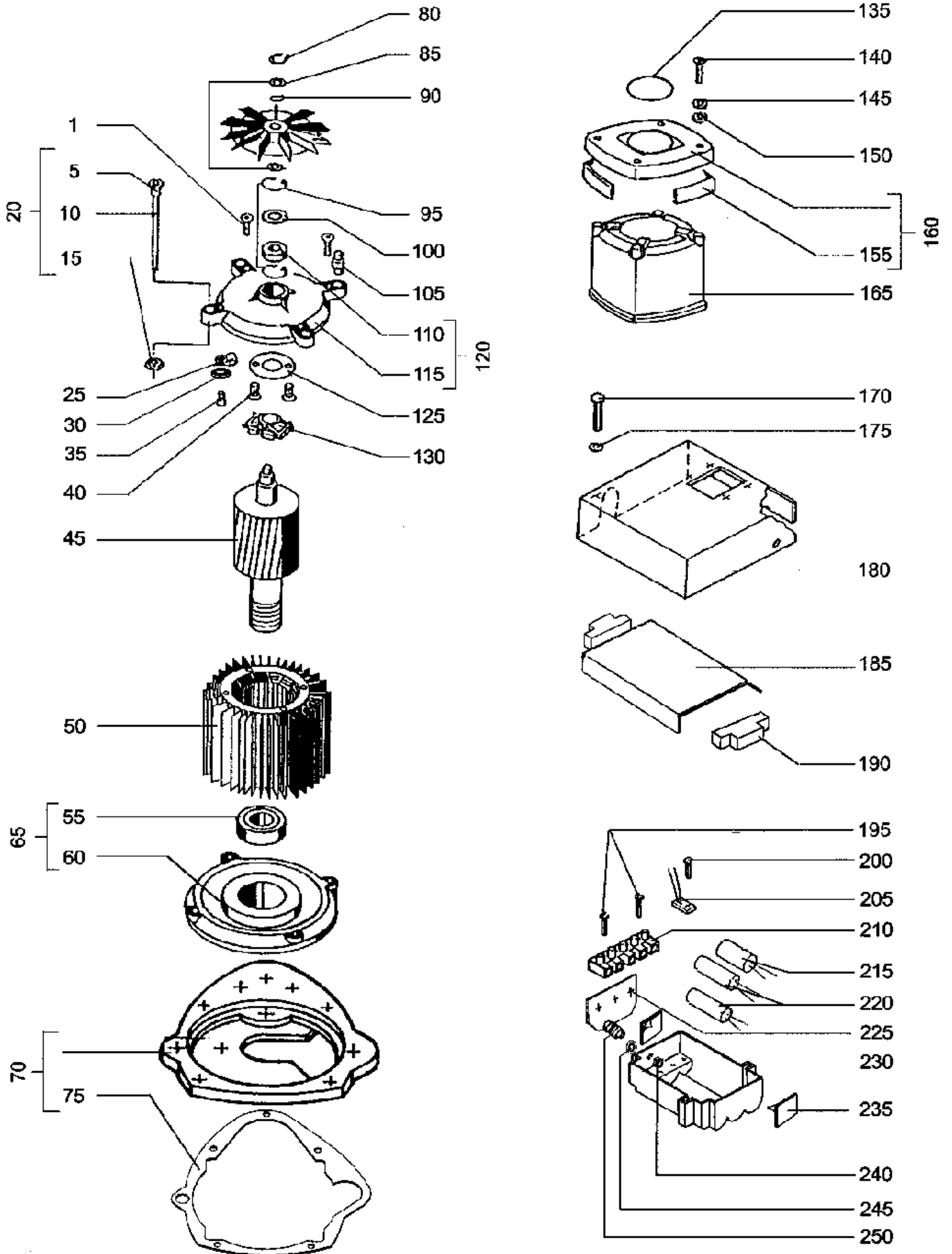
BASE COVER AND MOTOR (FROM SN. 66330)

430 M

12-02-2015

Part List ID DX031-5

6



BASE COVER AND MOTOR (FROM SN. 66330)

430 M

12-02-2015

Part List ID

DXU31-5

7

Pos	Part no.	Qty	Description
1	L08199800	4	COUNTERSUNK SCREW M5X25
5	L08167300	4	SPECIAL NUT
15	L08081100	4	NUT C38
20	L08229900	4	SCREW
25	L08239900	1	CLAMP D.6 WHITE
30	L08103400	1	WASHER 4X9 UNI6592
35	L08317500	1	SCREW AM 4X6 VZ DIN 7516
40	L08041100	2	SCREW
45	L08601049	1	ROTOR WITH SHAFT
50	L08370729	1	STATOR CPL. 110-115 V 430
50	L08370751	1	STATOR CPL. 220-230 V 430
55	L08601035	1	BALL BEARING 6908
65	L08601050	1	LOWER MOTOR HOUSING WITH
70	L08602652	1	PLATE WITH JOINT
80	L08182600	1	WASHER
85	L08183300	2	WASHER
90	L08163500	2	SPRING DISK
95	L08040900	2	RING
100	L08601171	1	BEARING
105	L08185500	4	INSULATING BUSH
110	L08040800	1	BEARING
120	L08185300	1	MOTOR HOUSING TOP
125	L08041000	1	DISCONNECTION UPPER PART
130	L08041200	1	SWITCH LOWER PART
140	L08182800	4	SCREW M5X25
145	L08040400	4	WASHER FLAT 5X10
150	L08040500	4	WASHER
155	L08180900	1	BUFFER-MOTOR COVER
160	L08601053	1	MOTOR TOP WITH BUFFER
165	L08601214	1	MOTOR COVER
170	L08601032	2	HEXAGON SCREW M8X100
175	33005915	2	WASHER M8 UNI6592
180	L08601340	1	UPPER PART CHASSIS
195	L08095900	2	CHEESE-HEAD SCREW
200	L08095900	1	CHEESE-HEAD SCREW
210	L08281200	1	EUROPE CLAMP
215	L08059300	1	CAPACITOR 7I524.008PL CPL
220	L08601257	2	CONDENSER
230	L08601345	1	CONDENSER BOX
240	L08231800	1	NUT RING M20
251	L08370851	1	MOTOR 220-240V 50HZ

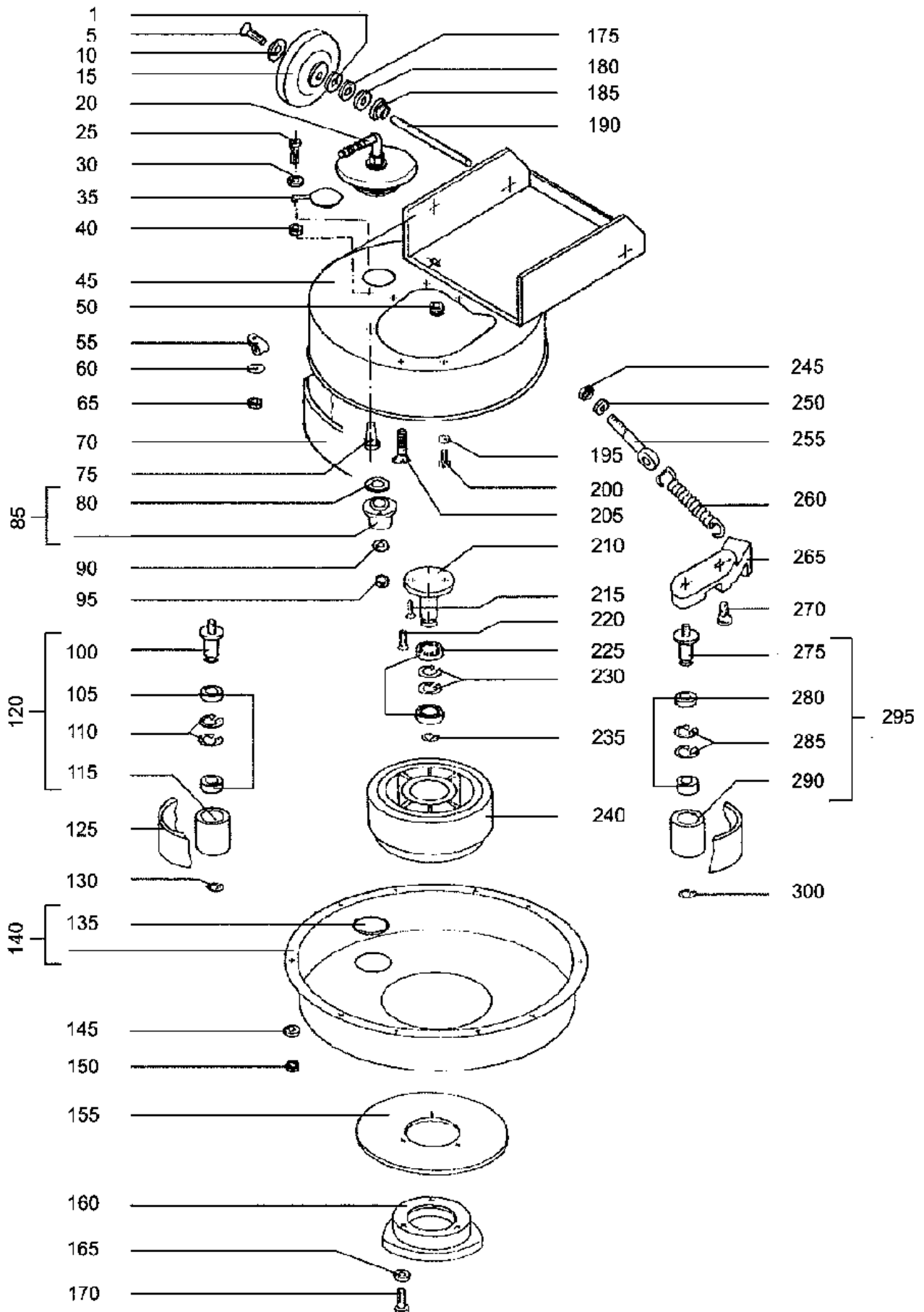
BASE DRIVE BOTTOM (FROM SN. 663300)

430 M

12-02-2015

Part List ID DX031-7

8



BASE DRIVE BOTTOM (FROM SN. 663300)

430 M

12-02-2015

Part List ID

DXU31-7

9

Pos	Part no.	Qty	Description
5	L08035400	2	COUNTERSUNK SCREW M6X16
10	L08270200	2	WASHER FOR WHEEL V42
20	L08423300	1	PLUG FOR WATER FEED. CPL.
25	L08196600	1	FLAT HEAD SCREW M4X6
30	33005862	1	WASHER M4 UNI8842A
35	L08196500	1	COVER FOR SUCTION
40	33005500	1	NUT HEX M4 UNI5588
45	L08601343	1	COVER 430
50	L08601038	1	CABLE SLEEVE
55	L08355300	1	SES-FASTENING CLAMP
60	L08040400	1	WASHER FLAT 5X10
65	33005691	1	NUT HEX M5 UNI5588
70	L08601213	1	BUFFER
75	L08076500	1	PROTECTIVE RUBBER SLEEVE
85	L08602650	1	NOZZLE
90	L08040300	1	WASHER C38
95	33005691	1	NUT HEX M5 UNI5588
100	L08601010	1	BOLT
105	L08600243	2	BEARING C38
110	L08601011	2	WASHER
115	L08601046	1	ROLLER
120	L08601044	1	BELT TENSIONING ROLLER
125	L08601034	1	RIBBED BELT 35MWITH DIA813MM
130	L08075600	1	SEEGER RING
145	L08040400	6	WASHER FLAT 5X10
150	33005691	6	NUT HEX M5 UNI5588
155	L08601074	1	INTERMEDIATE PLATE
160	L08600466	1	POLYGON BRUSH HOLDER
165	L08353300	3	WASHER NORD LOCK M6 DIN25201
170	L08601139	3	CYLINDER SCREW
175	L08163400	1	WASHER 15
180	L08601165	2	PAD B16VZ
185	L08601030	2	SLEEVE
190	L08601031	1	HANDLEBAR VZ
195	33005913	2	WASHER M6 UNI6592
200	L08326100	2	SCREW M6X12 UNI5739 8.8 SCOTH-GRIP 2510
205	L08264900	3	SCREW FOR MOUNTING
210	L08601004	1	BOLT
215	L08042500	4	COUNTERSUNK SCREW M8X16
220	L08600745	2	COUNTERSUNK SCREW M8X20
225	L08183900	2	BEARING BALL 6204 DDU
230	33006176	2	RING D 47 UNI7437
235	L08182700	1	RING D 22 SP.1.75 UNI7436

BASE DRIVE BOTTOM (FROM SN. 663300)

430 M

12-02-2015

Part List ID

DXU31-7

10

Pos	Part no.	Qty	Description
240	L08601006	1	PULLEY
245	L08600137	1	HEXAGONAL NUT
250	L08215400	1	PAD
255	L08601051	1	EYE BOLT
260	L08601033	1	TENSION SPRING
265	L08601972	1	TENSIONING LEVER
270	L08601970	1	SCREW
275	L08601010	1	BOLT
280	L08600243	2	BEARING C38
285	L08601011	2	WASHER
290	L08601046	1	ROLLER
295	L08601044	1	BELT TENSIONING ROLLER
300	L08075600	1	SEEGER RING

ACCESSORIES

430 M

12-02-2015

Part List ID DX031-9

11

1 BRUSHES



2 DISC DRIVES



3 PADS



4 OTHER ACCESSORIES



ACCESSORIES

430 M

12-02-2015

Part List ID
DXU31-9

12

Pos	Part no.	Qty	Description
1	L08422200	1	BRUSH NAT.FIBRE/SILICONE
1	L08422400	1	BRUSH NAT.FIBRE/SILICONE
1	L08423100	1	BRUSH PPN MEDIUM
1	L08423200	1	BRUSH SILICONE CARBIDE
2	L08412700	1	HS-PAD HOLDER CPL.D 430MM
2	L08424000	1	PAD HOLDER. VITRIFICATION
3	10001938	1	PAD 17 432MM ECO BLACK 5PCS
3	10001939	1	PAD 17 432MM ECO BLUE 5PCS
3	10001941	1	PAD 17 432MM ECO RED 5PCS
3	10001971	1	PAD 17 432MM ECO BROWN 5PCS
3	L08533500	1	PAD 17 432MM BEIGE 5PCS
4	L08422700	1	SUCTION RING
4	L08422800	1	FELT RING FOR SUCTION RING
4	L08425900	1	NILFISK SU750 HOLDER LONG
4	L08608579	1	SPRAYER CPL. WITH HOLDER
4	L08615150	1	TANK 10L COMPLETE

SU 700

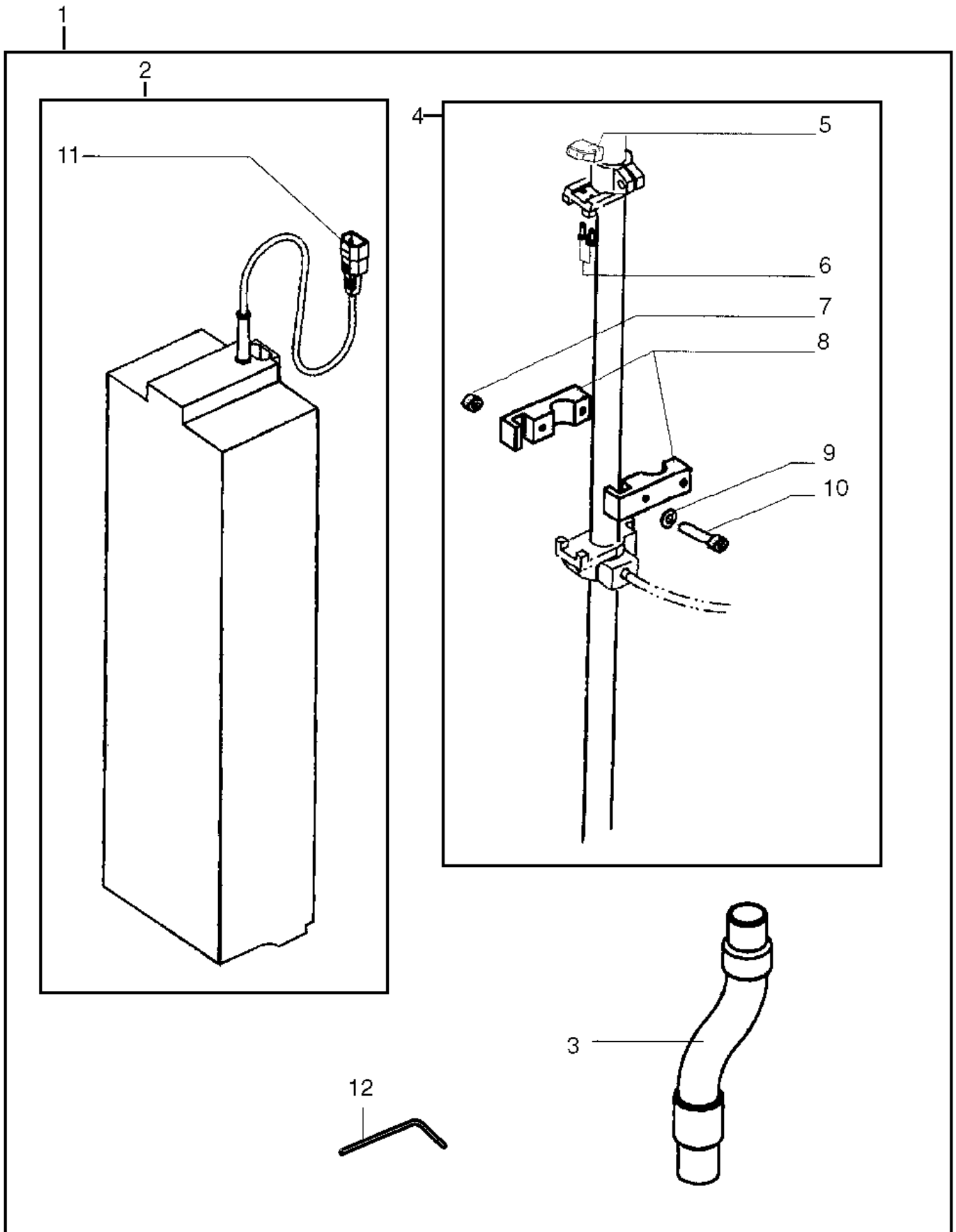
430 M

12-02-2015

Part List ID

DX03111

13



SU 700

430 M

12-02-2015

Part List ID
DX03111

14

Pos	Part no.	Qty	Description
0	55023526	1	DUST BAGS 10-PCS
1	L08425900	1	NILFISK SU750 HOLDER LONG
3	L08602604	1	SUCTION HOSE. CPL.
6	L08601157	1	SCREW 4.9X20
7	33005504	1	NUT HEX M8 UNI5588
9	L08300000	1	WASHER 8X24X2 FLAT ISO7093
10	L08070900	1	SCREW M8X40
11	L08189100	1	CABLE SG 3
12	L08063900	1	KEY-SERVICE TOOL SW 6

SU 750 SUCTION UNIT NEW MODEL (from ultimo

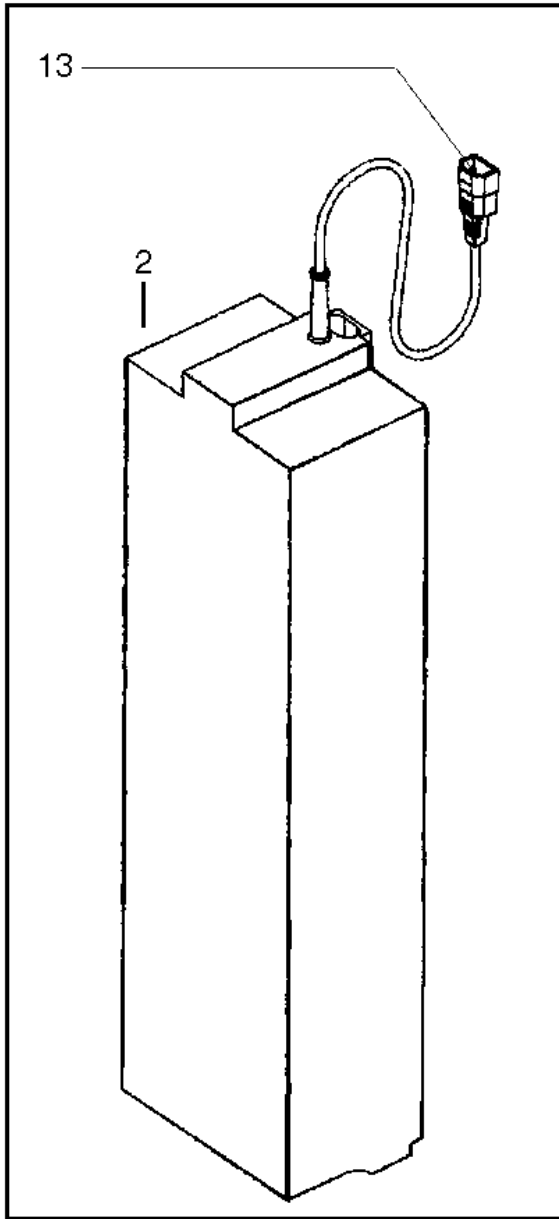
430 M

12-02-2015

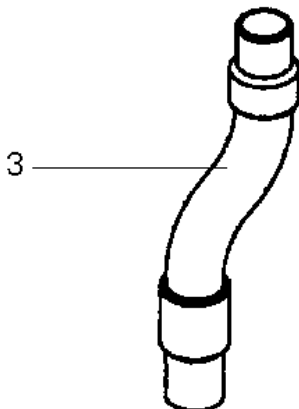
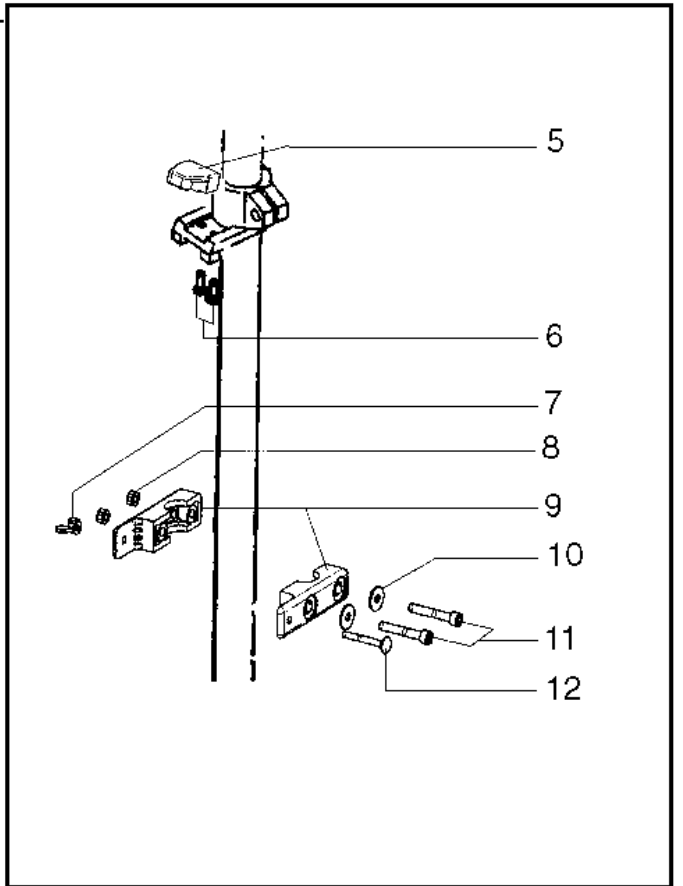
Part List ID DX03113

15

1



4



SU 750 SUCTION UNIT NEW MODEL (from ultimo

430 M

12-02-2015

Part List ID
DX03113

16

Pos	Part no.	Qty	Description
0	56703868	1	DUST BAG 10-PCS
1	L08425900	1	NILFISK SU750 HOLDER LONG
3	L08602604	1	SUCTION HOSE. CPL.
6	L08601157	2	SCREW 4.9X20
7	L08091000	1	WING NUT
8	33005504	1	NUT HEX M8 UNI5588
10	L08300000	1	WASHER 8X24X2 FLAT ISO7093
13	L08189100	1	CABLE SG 3
14	L08063900	1	KEY-SERVICE TOOL SW 6

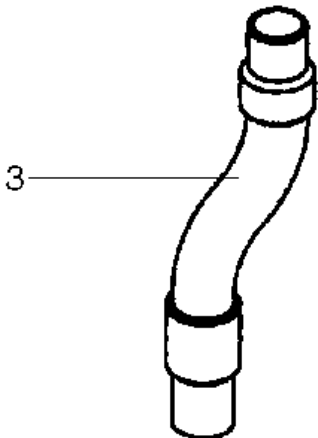
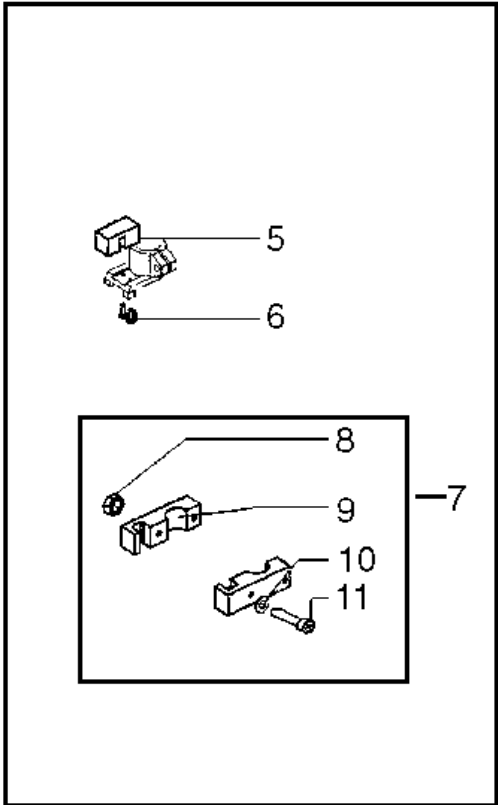
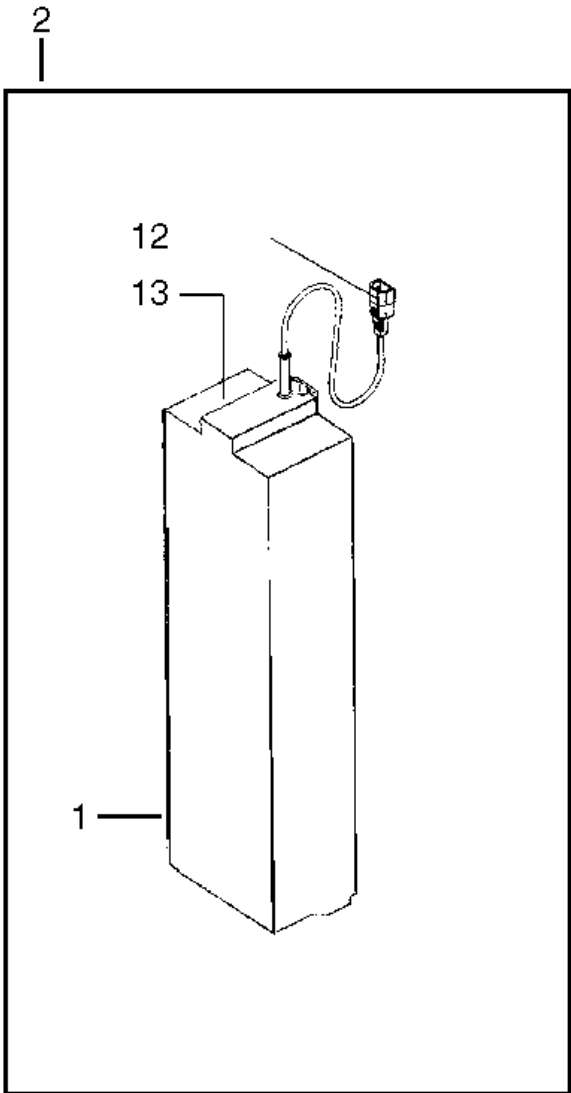
SU 600 SOCTION UNIT BEFORE 2001

430 M

12-02-2015

Part List ID
DX03115

17



SU 600 SOCTION UNIT BEFORE 2001

430 M

12-02-2015

Part List ID

DX03115

18

Pos	Part no.	Qty	Description
1	L08425900	1	NILFISK SU750 HOLDER LONG
2	L08423600	1	VACUUM W. CABLE SU 600
3	L08602604	1	SUCTION HOSE. CPL.
4	L08602601	1	SUCTION HOLDER CPL.
5	L08602605	1	ADAPTOR
6	L08601157	2	SCREW 4.9X20
7	L08602658	1	SUCTION HOLDER. LONG
8	33005504	2	NUT HEX M8 UNI5588
9	L08602660	1	FIXTURE FOR SUCTION SU 600
10	L08300000	2	WASHER 8X24X2 FLAT ISO7093
12	L08189100	1	CABLE SG 3
14	L08063900	1	KEY-SERVICE TOOL SW 6

SPRAYER

430 M

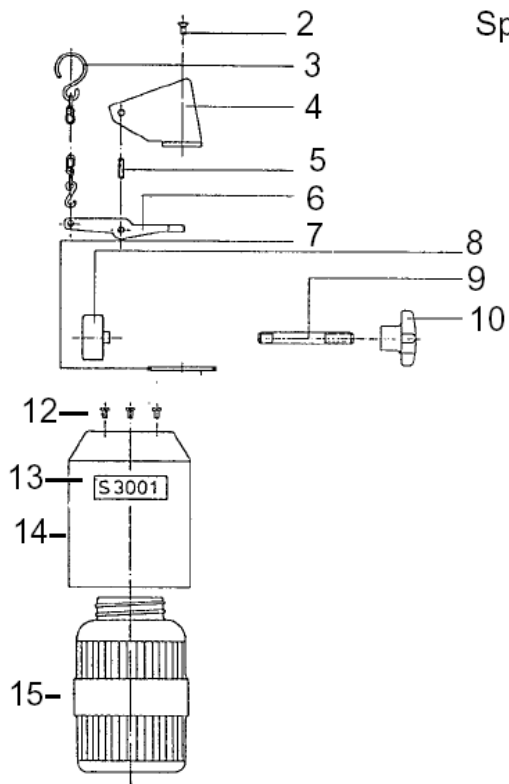
12-02-2015

Part List ID

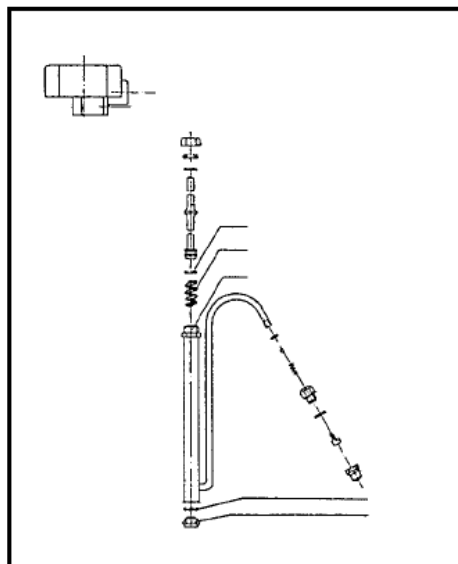
DX03117

19

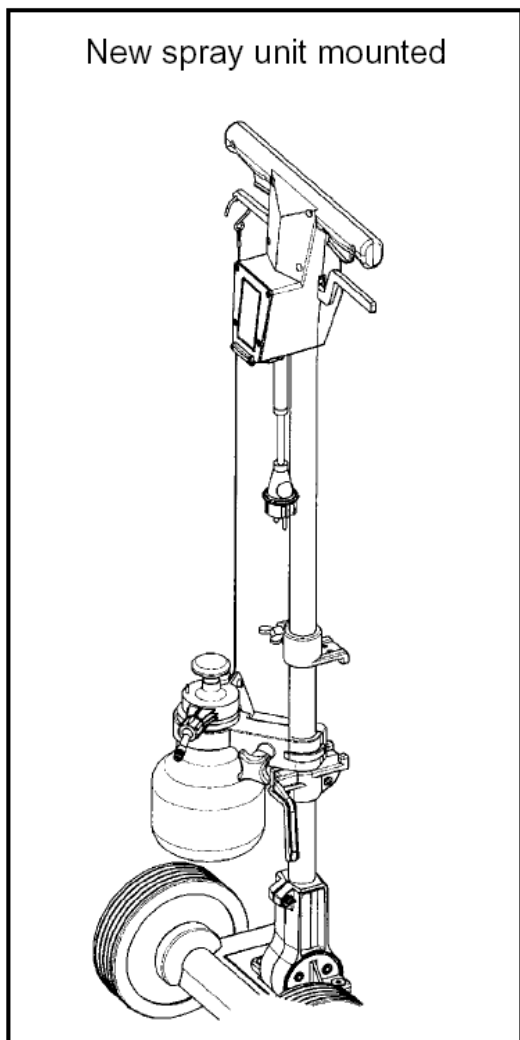
Spare parts for spray unit 08407700



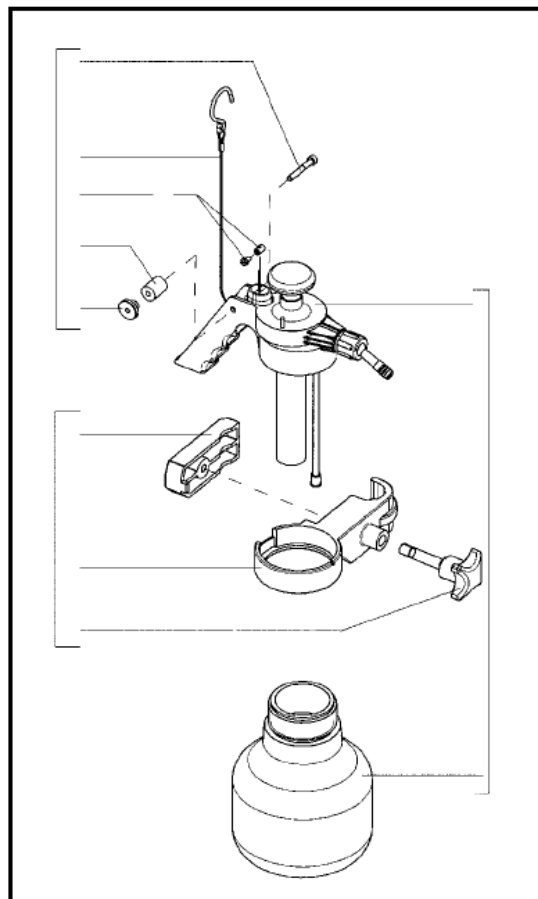
11



New spray unit mounted



20



SPRAYER

430 M

12-02-2015

Part List ID
DX03117

20

Pos	Part no.	Qty	Description
1	L08608579	1	SPRAYER CPL. WITH HOLDER
2	L08201000	1	SCREW M4X10 UNI7688 SS
3	L08608579	1	SPRAYER CPL. WITH HOLDER
4	L08102000	1	HOLDER FOR ROCKER ARM
5	L08102100	1	PIN 5M6X16
6	L08608579	1	SPRAYER CPL. WITH HOLDER
7	L08265300	1	SEAL
8	L08103700	1	HOLDER
9	L08103900	1	BOLT
10	L08104000	1	WING SCREW M 10
11	L08249300	1	PUMP AND HOLDER
12	L08105400	1	NUT M 4X8
12	L08286700	1	SCREW 3. 9X9. 5
13	L08250700	1	PLATE S 3001
14	L08104200	1	COVER
15	L08249500	1	CONTAINER FOR SPRAY AGGR.
20	L08608579	1	SPRAYER CPL. WITH HOLDER
21	L08606359	1	TRACTION ROPE WITH FIXTURE
22	L08606360	1	SPRAYER HOLDER CPL.
23	L08608578	1	SPRAY UNIT CPL.

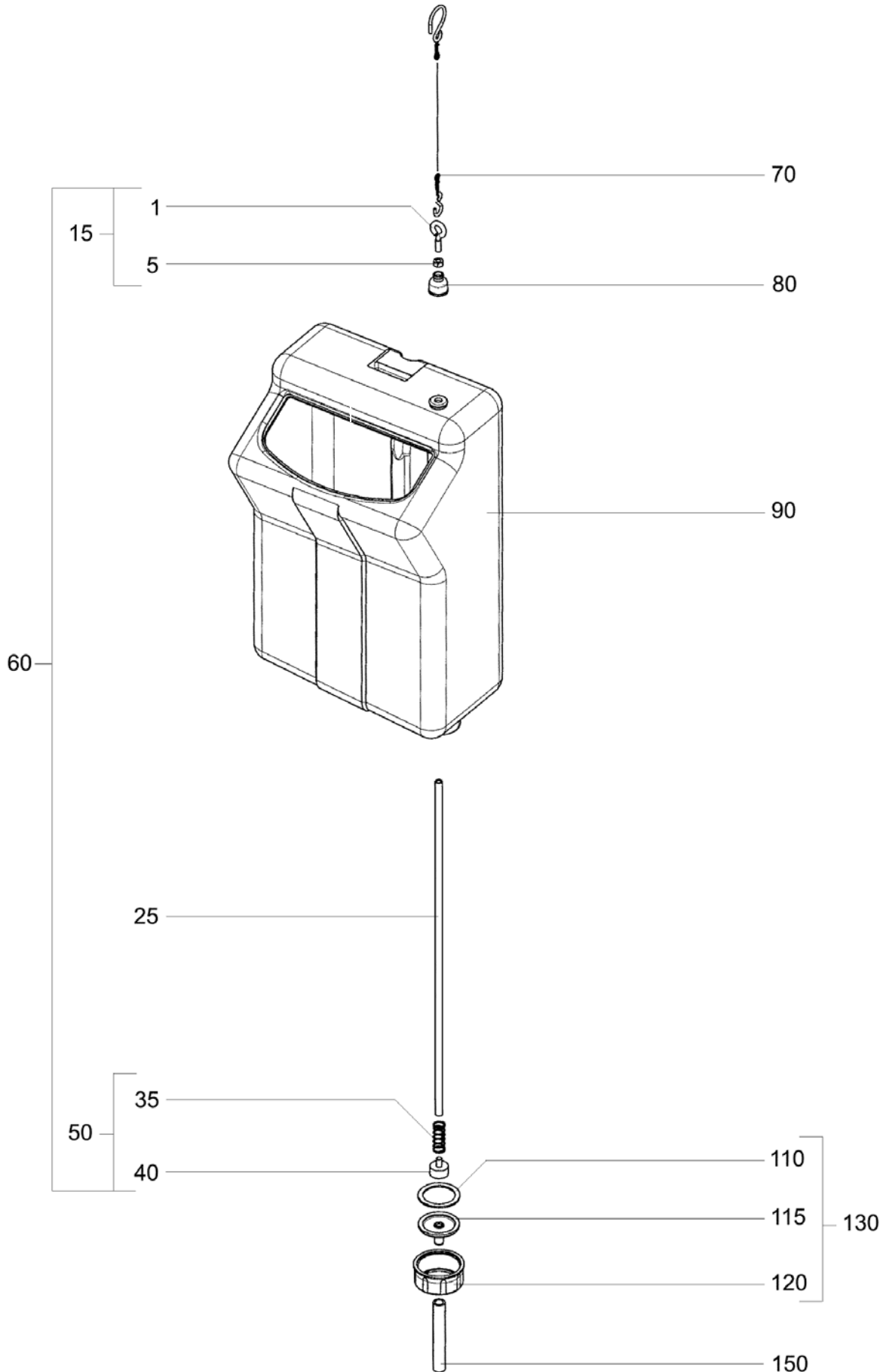
TANK

430 M

12-02-2015

Part List ID
DX03119

21



TANK

430 M

12-02-2015

Part List ID

DX03119

22

Pos	Part no.	Qty	Description	
0	L08081000	1	HOSE FOR WATER TANK	FOR MODEL PRUNED 2008
0	L08083200	1	CHAIN FOR TANK 421A/511A	FOR MODEL PRUNED 2008
0	L08083300	1	VALVE FOR TANK	FOR MODEL PRUNED 2008
0	L08094800	1	NUT	FOR MODEL PRUNED 2008
0	L08094900	1	WASHER	FOR MODEL PRUNED 2008
0	L08615150	1	TANK 10L COMPLETE	FOR MODEL PRUNED 2008
0	L08615150	1	TANK 10L COMPLETE	FOR MODEL PRUNED 2008
15	L08606771	1	EYE BOLT WITH NUT	
50	L08606772	1	SPRING WITH BUFFER	
60	L08606773	1	HANDLE RISE BAR CPL.	
70	L08615162	1	TANK CHAIN	
80	L08615152	1	FLEXIBLE GASKET	
90	L08615151	1	TANK 10 LTR.	
130	L08606774	1	COVER WITH ADAPTOR AND CAP NUT	