

VHW310

Model:
VHW310



Part List US-English

17-02-2015

Table of Contents

VHW310

Car	3
Container unit	5
Filter group	7
Shaker unit	9
Suction unit	11
Absolute filter	13

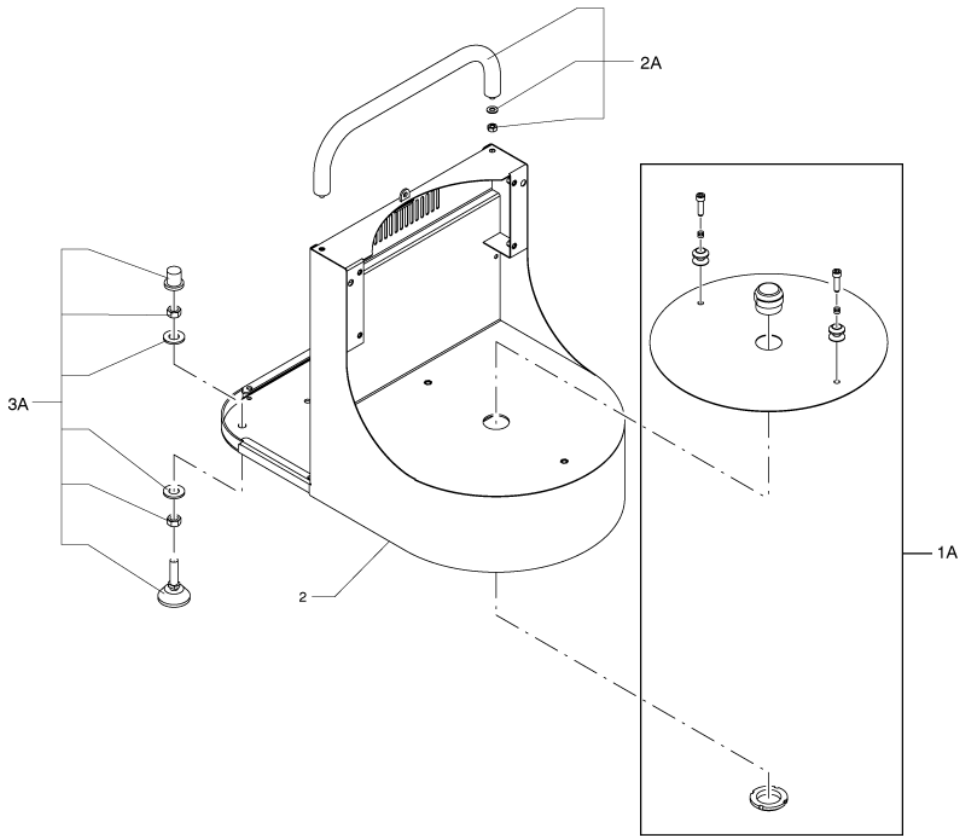
Car

VHW310

17-02-2015

Part List ID
VHW31001

3



Car

VHW310

17-02-2015

Part List ID
VHW31001

4

Pos	Part no.	Qty	Description
2	4083600729	1	MODULAR BASE HORIZONTAL R9003 MOD.VHW
1A	4089100322	1	CONTAINER FIXING KIT
2A	4089100323	1	HANDLE KIT
3A	4089100324	1	ADJUSTABLE FEET KIT

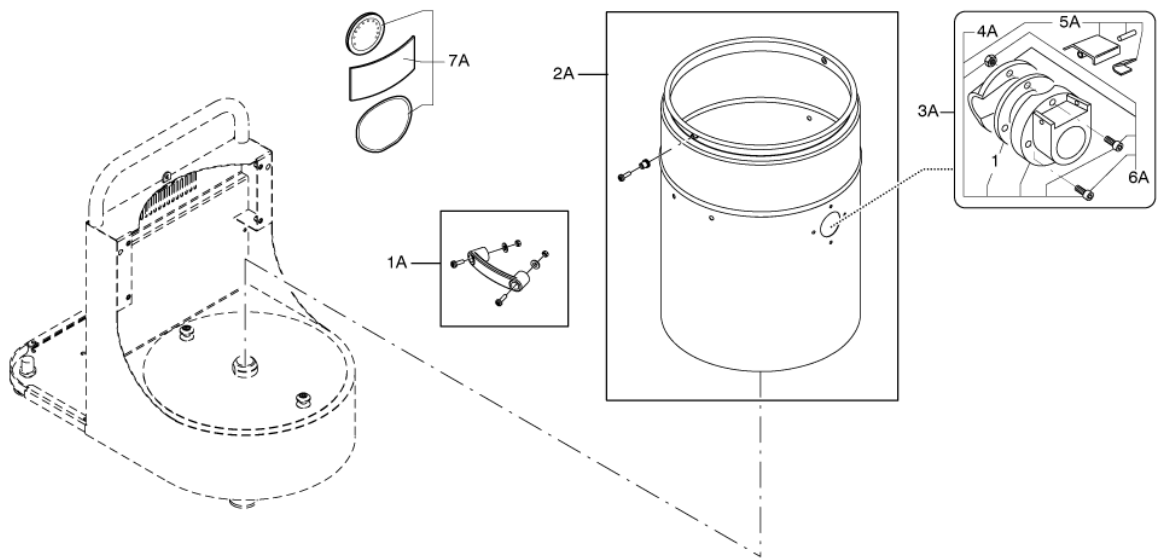
Container unit

VHW310

17-02-2015

Part List ID
VHW31003

5



Container unit

VHW310

17-02-2015

Part List ID
VHW31003

6

Pos	Part no.	Qty	Description
1	Z8 17005	1	INLET SEAL D50
1A	4089100325	1	HANDLE KIT
2A	4089100326	1	CONTAINER KIT
2A	4089100335	1	SS CONTAINER KIT
3A	40000393	1	KIT COMPLETE INLET FE D50
3A	40000394	1	KIT COMPLETE INLET INOX D50
4A	40000318	1	KIT INLET FE D50
4A	4089100280	1	D50 INLET SS KIT
5A	40000320	1	KIT PUSHBUTTON FOR INLET D50
6A	40000391	1	KIT DEFLECTOR D50
6A	40000392	1	KIT DEFLECTOR INOX D50
7A	4089100327	1	LABEL KIT

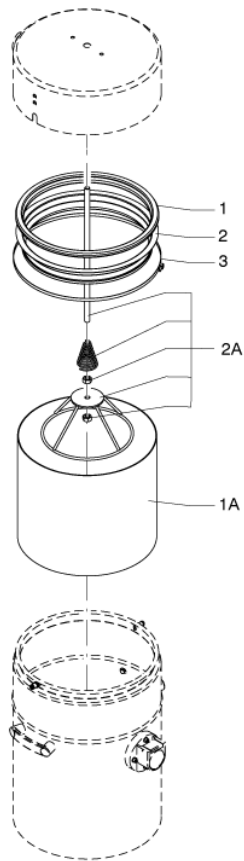
Filter group

VHW310

17-02-2015

Part List ID
VHW31005

7



Filter group

VHW310

17-02-2015

Part List ID
VHW31005

8

Pos	Part no.	Qty	Description
1	4081701040	1	FILTER SEAL PF D350 SBR BLACK MOD.VHW
1	4081701041	1	FILTER SEAL PF D350 SILICONE MOD.VHW
2	4081500220	1	FILTER HOLDER RING D350 FEMOD.VHW310-311
2	4081500229	1	FILTER HOLDER RING D350 SSMOD.VHW310-311
3	Z8 18078	1	FILTER BLOCK TIE D360
1A	40000379	1	KIT BAG FILTER D360 L CLASS
2A	4089100328	1	FILTER-SHAKER CAGE KIT
2A	4089100336	1	SS FILTER-SHAKER CAGE KIT

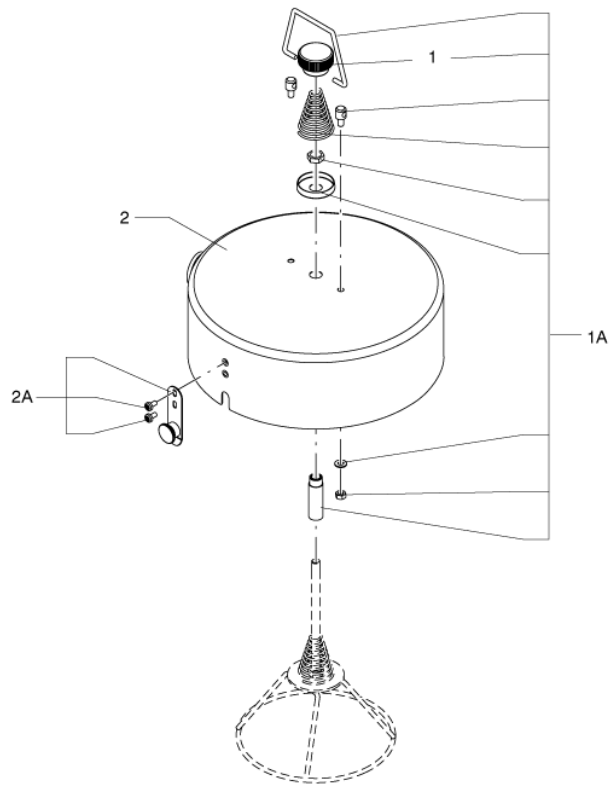
Shaker unit

VHW310

17-02-2015

Part List ID
VHW31007

9



Shaker unit

VHW310

17-02-2015

Part List ID
VHW31007

10

Pos	Part no.	Qty	Description
1	4084001145	1	KNOB D50 M12 SHAKER MANUAL M.VHW310-311
2	4083101132	1	COVER D360 R9003 MAN.SHAKER M.VHW310-311
2	4083101200	1	COVER D360 SS MAN.SHAKER MOD.VHW310-311
1A	4089100329	1	FILTER SHAKER KIT
1A	4089100337	1	SS FILTER SHAKER KIT
2A	4089100330	1	CAP CLOSURE LEVER KIT

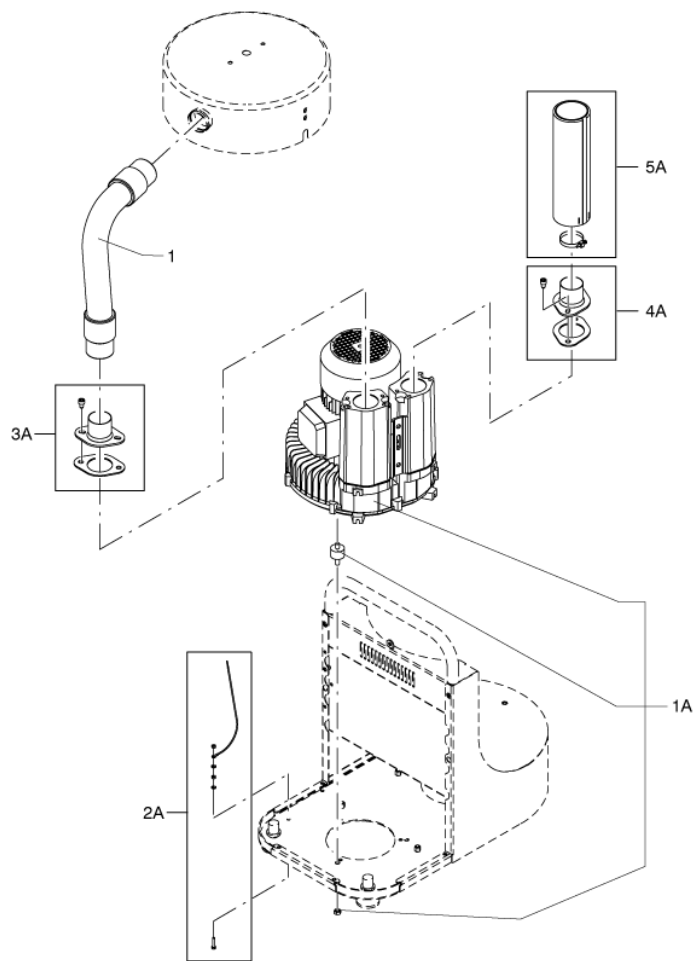
Suction unit

VHW310

17-02-2015

Part List ID
VHW31009

11



Suction unit

VHW310

17-02-2015

Part List ID
VHW31009

12

Pos	Part no.	Qty	Description
1	4082400236	1	HOSE D50 + SLEEVES D50 L560 M.VHW310-311
1A	4089100331	1	SUCTION UNIT KIT
2A	40000877	1	GROUND CABLE KIT
3A	40000326	1	KIT BLOWING CONNECTION D50
4A	40000326	1	KIT BLOWING CONNECTION D50
5A	4089100298	1	2XHAUST DIFFUSER KIT

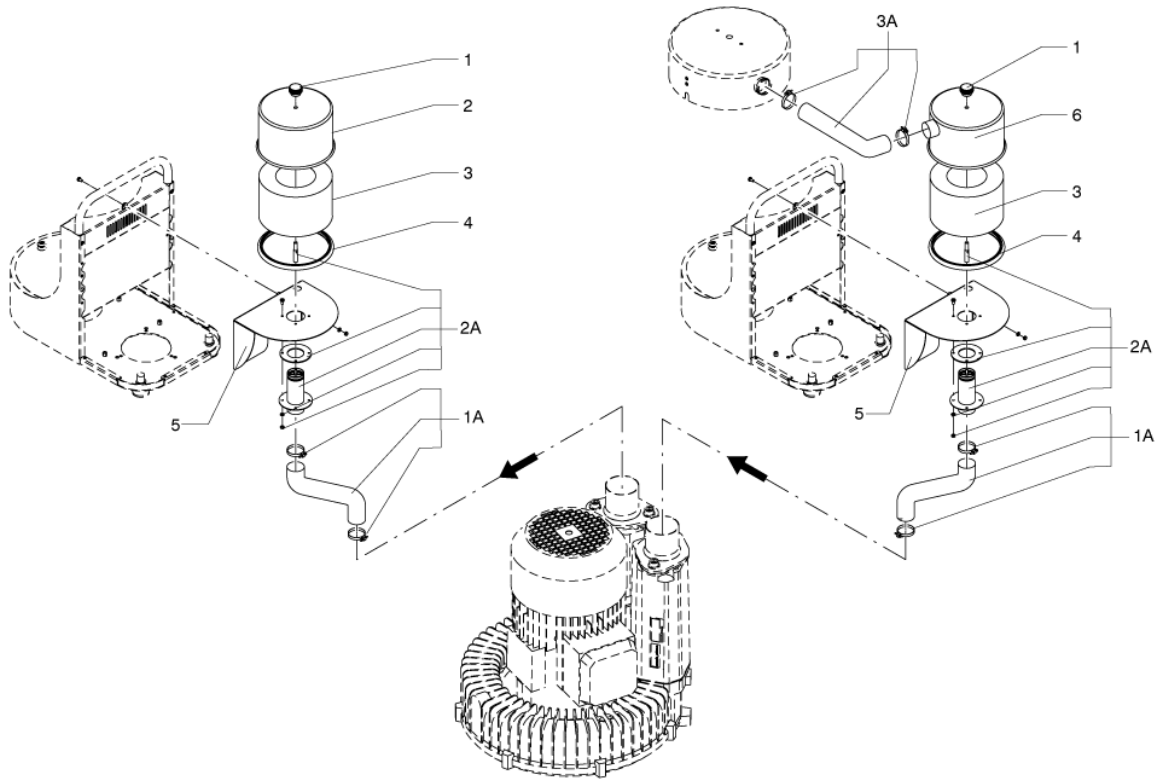
Absolute filter

VHW310

17-02-2015

Part List ID
VHW31011

13



Absolute filter

VHW310

17-02-2015

Part List ID
VHW31011

14

Pos	Part no.	Qty	Description
1	4084001146	1	KNOB D40 M10 DIFFUSER CONTAINER M.VHW
2	4083000681	1	DIFFUSER CONTAINER D220x142 R9003 M.VHW
3	Z8 17262	1	ABSOLUTE FILTER D360 x 150 H14
4	Z58 17088	1	SEAL SILICONE 3VT22X
5	4081600725	1	DIFFUSER CONTAINER SUPPORT R9003 M.VHW
6	4083101134	1	UPSTREAM HEPA CONTAINER D220 R9003 M.VHW
1A	4089100332	1	PIPE KIT
2A	4089100333	1	ABSOLUTE FILTER ASSEMBLY KIT
3A	4089100334	1	AU PIPE KIT