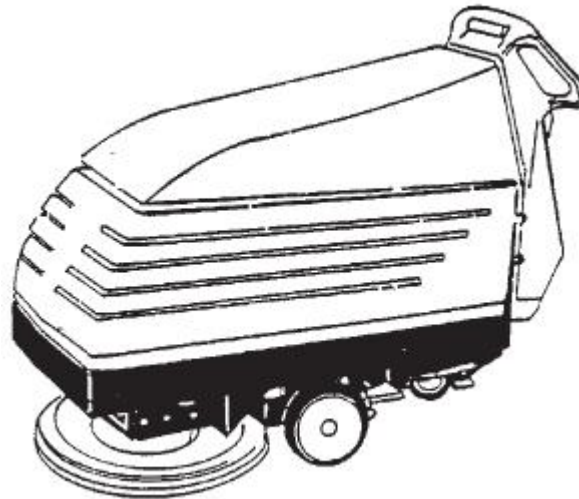


# FUSION 20

---

Model:  
FUSION 20



Part List US-English

24-02-2015

# Table of Contents

FUSION 20

<b>Assembly drawing 1</b>	<b>3</b>
<b>Assembly drawing 2</b>	<b>6</b>
<b>Assembly drawing 3</b>	<b>9</b>
<b>Assembly drawing 4</b>	<b>12</b>
<b>Assembly drawing 5</b>	<b>15</b>
<b>Assembly drawing 6</b>	<b>18</b>
<b>Pad drive motor</b>	<b>20</b>
<b>Traverse Motor</b>	<b>22</b>
<b>Transaxle</b>	<b>24</b>

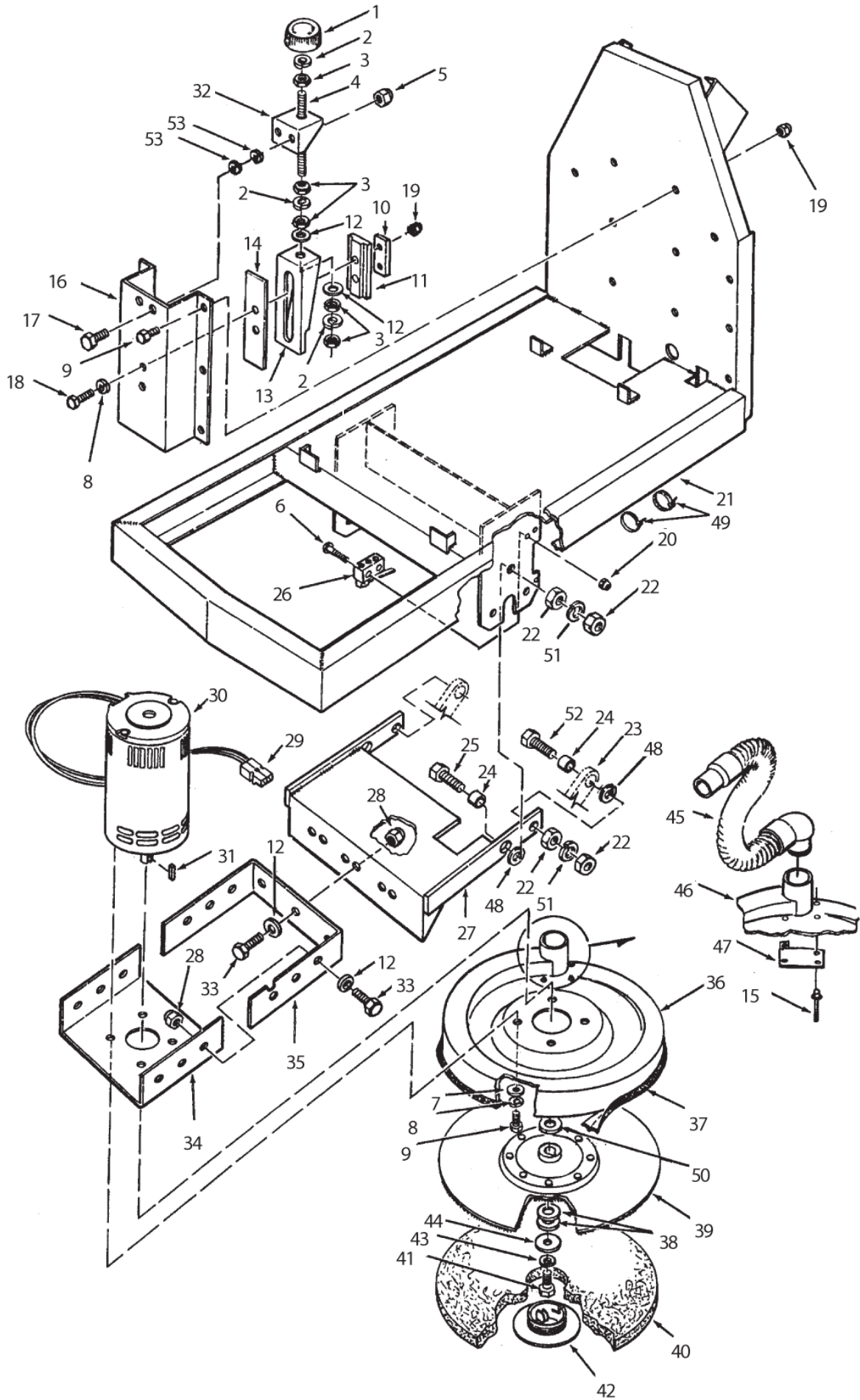
# Assembly drawing 1

FUSION 20

24-02-2015

Part List ID  
FUSION20

3



# Assembly drawing 1

FUSION 20

24-02-2015

Part List ID  
FUSION20

4

Pos	Part no.	Qty	Description	
1	55537A	1	KNOB HEAD PRESSURE FUSION	
2	980638	3	LOCKWASHER 3/8 LT SPRING TYPE	
3	81301A	5	NUT 3/8 16 JAM SS	
4	66868A	1	RODADJUSTMENT FUSION 20IX	
5	920181	2	NUT 5/16-18 ESNA	
6	962980	2	SCR 6-32X1 PN ST MACH	
7	87026A	4	WASHER .250 FLAT SS	
8	980657	4	WASHER LOCK 1/4 STD	
9	170915	4	SCREW 1/4-20 X 3/4 HX HDSS	
10	66208A	1	PLATENUT HD. ADJ. FUSION 20IX	
11	38013A	1	SLIDE HEAD ADJUST FUSION 20	
12	87031A	11	WASHER FLAT 3/8 S.S.	
13	68116A	1	STOPLATCHPAINTED FUSION20IX	
14	34500A	1	GUIDE HEAD ADJUST FUSION 20	
15	83010A	4	RIVET POP 1/8	
16	63522A	1	FRAMEHEAD ADJPNTD FUSION20IX	
17	85813A	2	SCREW 5/16-18 X 1 HX HD	
18	962481	2	SCR 1/4-20 X 1-1/4 HEX ST CAP	
19	81104A	8	NUT 1/4 20 ESNA TYPE SS	
20	920056	2	NUT-6X32 ELASTIC STOP	
22	920132	8	NUT 1/2 20 HEX JAM	
22	920196	8	NUT-1/2-13 HEX JAM	
23	63077A	1	BAR LINKAGE FUSION 20	
24	67705B	4	BEARING SLEEVE 32 AUTO	
25	962850	2	SCR 1/2 -13X1 1/2 HX ST	
26	47374A	1	SWITCH STRAIGHT LEVER 2400/32	
27	50898A	1	PLATE WELDMENT LIFT	
28	81105A	9	NUT 3/8 16 ESNA TYPE SS	
29	40645A	2	CONNECTOR HOUSING PP75 BLACK	
29	41601A	2	CONNECTOR-CONTACT	
31	93400A	1	KEYPAD MOTOR 1/4 X 1/4 X 5/8	
32	60528A	1	ANCHOR WLDMTBRKT FUSION 20IX	
33	85727A	9	SCR 3/8 - 16 X 1 HEX HEAD SS	
34	63524A	1	FRAMEMOTOR FUSION 20	
35	69493A	1	BRACKETPIVOTMTRPNTD FUS 20	
36	64734A	1	HOUSING ASM PAD FUSION 20	Asm. includes Item #'s 15-37 & 47.
36	64734B	1	HOUSING ASMPADBLUE FUSION	
37	10601A	1	SKIRT KIT FUSION 20	
38	980679	2	WASHER 3/4 SAE FLAT PLTD	
39	56938A	1	DRIVER PAD FUSION 20	Asm. includes item #42.
40	976240	1	PADS CS20 AQUA ULTRA HS CS/5EA	
41	85811A	1	BOLT 5/16-18 X 3/4 HX HD	
42	57369A	1	RETAINER PAD BOT HALF ONLY	

# Assembly drawing 1

FUSION 20

24-02-2015

Part List ID  
FUSION20

5

Pos	Part no.	Qty	Description
43	980652	1	WASHER LK 5/16 REGPLTD
44	980205	1	WASHER .312 ID/1.06 OD/.075THK
45	30424A	1	HOSE VAC SQUEEGEE SUMMIT V
46	35237C	1	HOUSINGPADBLUE FUSION
47	60810A	1	BAFFLEPAD HSG FUSION 20
48	980673	4	WASHER FLT 1/2 ID X 7/8 OD May require two (2) shim washers at each location
49	699202	5	TIE-WIRE 935A
50	67827A	1	SPACER WHEEL
51	980626	4	LOCKWASHER LIGHT SERIES 1/2
52	80078A	2	SCR 1/2 20X1 3/4 HX SZ CAP GR5

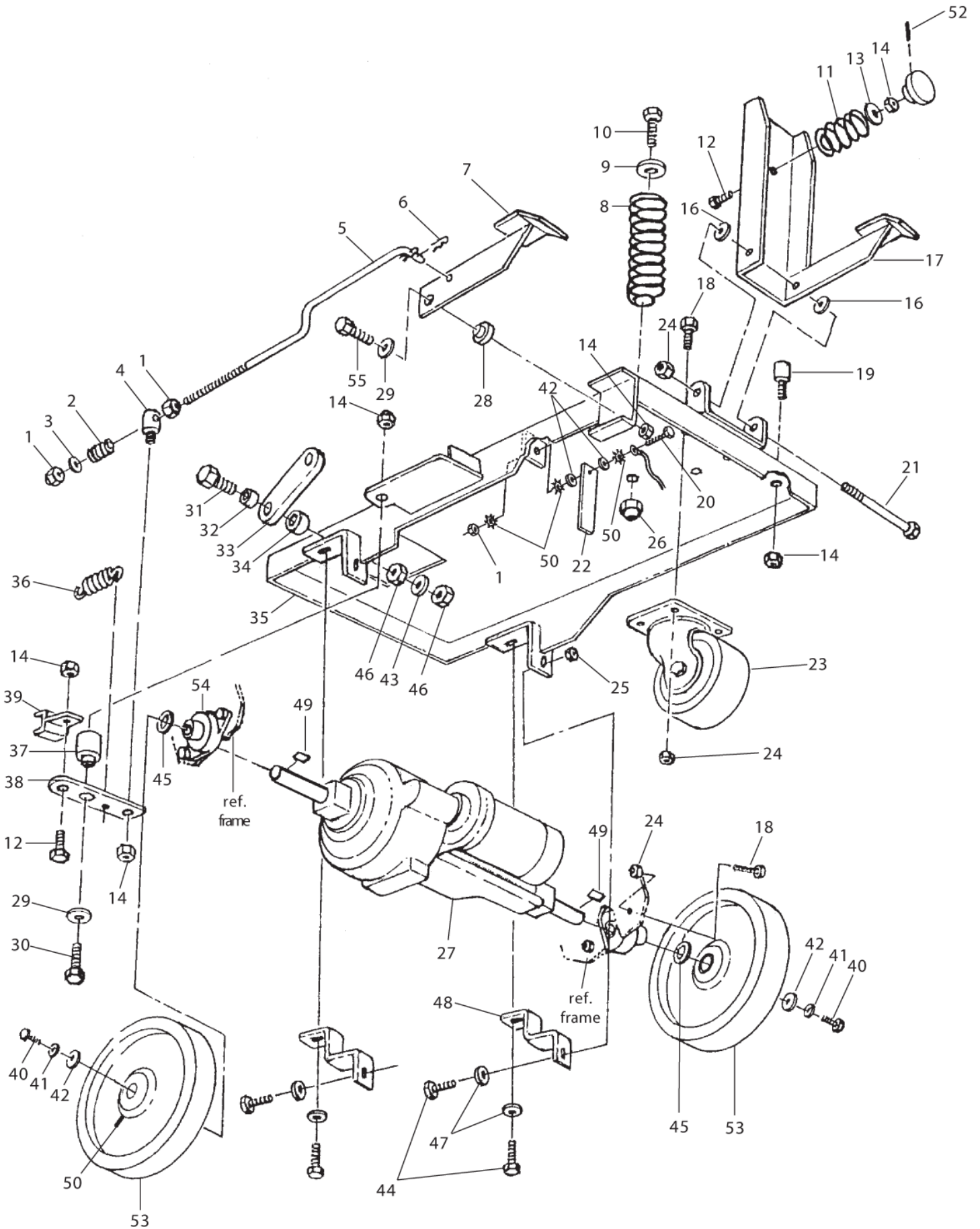
# Assembly drawing 2

FUSION 20

24-02-2015

Part List ID  
FUSION2001

6



# Assembly drawing 2

FUSION 20

24-02-2015

Part List ID  
FUSION2001

7

Pos	Part no.	Qty	Description
1	81104A	3	NUT 1/4 20 ESNA TYPE SS
2	438360	1	SPRING-ADJUSTER LIFT
3	87026A	1	WASHER .250 FLAT SS
4	848508	1	SWIVEL-BRAKE ROD
6	836711	2	HAIRPIN FOR 8.0MM CLEVIS
8	53415A	1	SPRING HEADLIFT FUSION 20
9	980648	1	WASH-17/32 ID X 1 1/16 OD PLN
10	962850	1	SCR 1/2 -13X1 1/2 HX ST
11	53416A	1	SPRING LATCH FUSION 20
12	85811A	2	BOLT 5/16-18 X 3/4 HX HD
13	980651	1	WASHER 5/16 SAE FLAT
14	920110	7	NUT LK 5/16-18 REGPLTD
15	30520A	1	BUSHINGSQUEEGEE 2000
16	87607A	2	WASHER FLT 1.25X.52X.06 NYLON
17	66209A	1	PEDALWLDMT FUSION 20IX
18	85730A	8	SCREW 3/8 -16X1 1/4 HEX HD. SS
19	31240A	2	BUMPER FRAME FUSION 20
20	85700A	1	SCR 1/4 -20X1 HX ST CAP
21	85740A	1	SCREWCAP3/8 16 X 4 1/2HEX
22	69639A	1	STATIC STRAP FUSION
23	899769	1	CASTER ASM TB24/32A SER II
24	81105A	6	NUT 3/8 16 ESNA TYPE SS
25	81108A	2	NUTHEX ELASTIC LOCK3/8-24
26	920365	1	NUT LK 1/2-13 REGPLTD
27	50292A	1	TRANSAXLE FUSION 20
28	67877A	1	SPACERBRAKE 32DLX/26DLX
29	980651	2	WASHER 5/16 SAE FLAT
30	85816A	1	SCREW 5/16-18 X 1 3/4 HX HD
31	80078A	2	SCR 1/2 20X1 3/4 HX SZ CAP GR5
32	67705B	2	BEARING SLEEVE 32 AUTO
33	63077A	2	BAR LINKAGE FUSION 20
34	67894A	2	SPACER LINK FUSION 20
35	60972A	1	FRAME WLDMNT LOWER
36	53414A	1	SPRING BRAKE FUSION 20
37	838214	1	SPACER BRAKE TB 60 S
39	66212A	1	PAD WLDMTBRAKE FUSION
40	962620	2	SCR 5/16-24 X 3/4 HEX ST CAP
41	980652	2	WASHER LK 5/16 REGPLTD
42	980205	4	WASHER .312 ID/1.06 OD/.075THK
43	980626	2	LOCKWASHER LIGHT SERIES 1/2
44	80103A	4	SCREW 3/8-24 X 1 HEX HEAD
45	87616A	2	WASHER FLT 1.00X.75X.06 NYLON
46	920132	4	NUT 1/2 20 HEX JAM

# Assembly drawing 2

FUSION 20

24-02-2015

Part List ID  
FUSION2001

8

Pos	Part no.	Qty	Description
47	87031A	4	WASHER FLAT 3/8 S.S.
48	60971A	2	CLAMP TRANSAXLE
49	915044	2	KEY 3/16 X 3/16 X 1
50	962593	2	SCREW 1/4-20 X 3/8 NYLON PATCH
51	980614	4	WASHER LK 1/4 EXT TOOTHPLTD
52	925597	1	PIN 3/32 DIA X 3/4 ROLL SS
53	59962A	2	WHEEL TRAVERSE DRIVE FUSION
54	51196A	2	BEARING FLANGE BLOCK FUSION
55	85814A	1	SCREW 5/16-18 X 1 1/4 HX HD
NI	699202	1	TIE-WIRE 935A



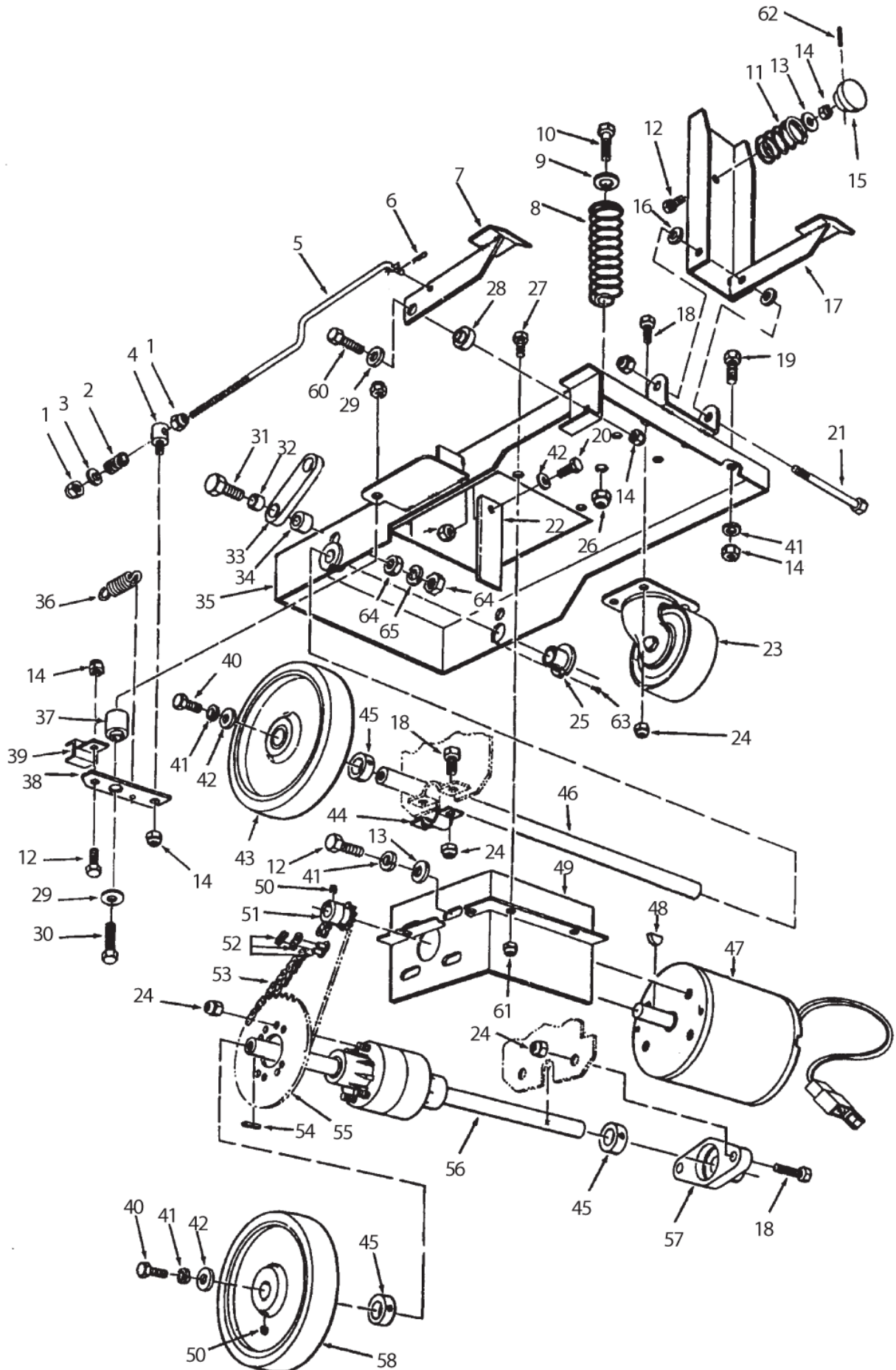
# Assembly drawing 3

FUSION 20

24-02-2015

Part List ID  
FUSION2002

9



# Assembly drawing 3

FUSION 20

24-02-2015

Part List ID  
FUSION2002

10

Pos	Part no.	Qty	Description	
1	81104A	3	NUT 1/4 20 ESNA TYPE SS	
2	438360	1	SPRING-ADJUSTER LIFT	
3	87026A	1	WASHER .250 FLAT SS	
4	848508	1	SWIVEL-BRAKE ROD	
6	836711	2	HAIRPIN FOR 8.0MM CLEVIS	
8	53415A	1	SPRING HEADLIFT FUSION 20	
9	980648	1	WASH-17/32 ID X 1 1/16 OD PLN	
10	962850	1	SCR 1/2 -13X1 1/2 HX ST	
11	53416A	1	SPRING LATCH FUSION 20	
12	85811A	2	BOLT 5/16-18 X 3/4 HX HD	
13	980651	5	WASHER 5/16 SAE FLAT	
14	920110	7	NUT LK 5/16-18 REGPLTD	
15	30520A	1	BUSHINGSQUEEGEE 2000	
16	87607A	2	WASHER FLT 1.25X.52X.06 NYLON	
17	66209A	1	PEDALWLDMT FUSION 20IX	
18	85730A	8	SCREW 3/8 -16X1 1/4 HEX HD. SS	
19	31240A	2	BUMPER FRAME FUSION 20	
20	85700A	1	SCR 1/4 -20X1 HX ST CAP	
21	85740A	1	SCREWCAP3/8 16 X 4 1/2HEX	
22	69639A	1	STATIC STRAP FUSION	
23	899769	1	CASTER ASM TB24/32A SER II	
24	81105A	9	NUT 3/8 16 ESNA TYPE SS	
25	61415A	2	BUSHINGFLANGE FUSION 20I/IX	
26	920365	1	NUT LK 1/2-13 REGPLTD	
27	170915	6	SCREW 1/4-20 X 3/4 HX HDSS	only 20IX
28	67877A	1	SPACERBRAKE 32DLX/26DLX	only 20I
29	980651	2	WASHER 5/16 SAE FLAT	
30	85816A	1	SCREW 5/16-18 X 1 3/4 HX HD	
31	80078A	2	SCR 1/2 20X1 3/4 HX SZ CAP GR5	
32	67705B	2	BEARING SLEEVE 32 AUTO	
33	63077A	2	BAR LINKAGE FUSION 20	
34	67894A	2	SPACER LINK FUSION 20	
35	10044A	1	TRAV.2TO3 BEARING KIT FUS-20IX	only 20IX
36	53414A	1	SPRING BRAKE FUSION 20	
37	838214	1	SPACER BRAKE TB 60 S	
39	66212A	1	PAD WLDMTBRAKE FUSION	
40	962620	2	SCR 5/16-24 X 3/4 HEX ST CAP	
41	980652	4	WASHER LK 5/16 REGPLTD	
42	980205	3	WASHER .312 ID/1.06 OD/.075THK	
43	59963A	2	WHEEL 8 O.D. FUSION 20	only 20I
44	62432A	2	CLAMPAXLE FUSION 20	only 20I
45	51936A	2	COLLAR SET	
46	60523A	1	AXLE FRAME FUSION 20	only 20I

# Assembly drawing 3

FUSION 20

24-02-2015

Part List ID  
FUSION2002

11

Pos	Part no.	Qty	Description	
47	835215	1	MOTOR TRAVERSE TB 60 S	only 20IX
48	55400A	1	KEY 3/16 X 5/32 HIPRO	only 20IX
50	962593	4	SCREW 1/4-20 X 3/8 NYLON PATCH	only 20IX
51	58702A	1	SPROCKET DRIVE	only 20IX
52	895101	1	CONNECTING LINK 35CHAIN	only 20IX
53	52201A	1	CHAIN-DRIVE	only 20IX
54	915044	2	KEY 3/16 X 3/16 X 1	only 20IX
55	69612A	1	SPROCKET DRIVEN FUSION 20	only 20IX
56	62725A	1	DIFFERENTIAL DRIVE FUSION	only 20IX
57	51196A	2	BEARING FLANGE BLOCK FUSION	only 20IX
58	59962A	2	WHEEL TRAVERSE DRIVE FUSION	only 20IX
60	85814A	1	SCREW 5/16-18 X 1 1/4 HX HD	
61	81104A	4	NUT 1/4 20 ESNA TYPE SS	only 20IX
62	925597	1	PIN 3/32 DIA X 3/4 ROLL SS	
63	962727	2	SCREW 8-32X 1/2 PN ST TP23 PH	
64	920132	4	NUT 1/2 20 HEX JAM	
64	920196	4	NUT-1/2-13 HEX JAM	
65	980626	2	LOCKWASHER LIGHT SERIES 1/2	

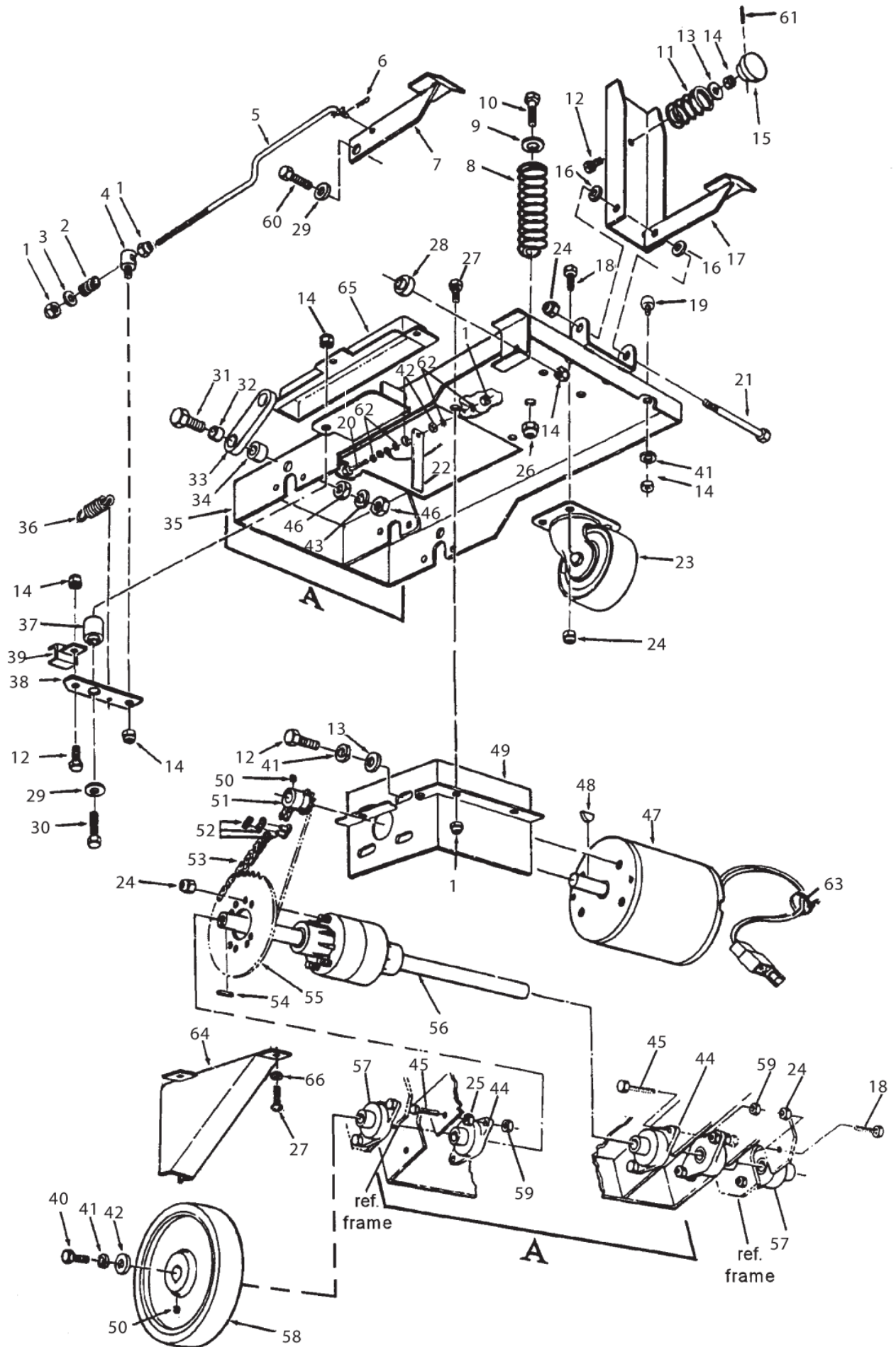
# Assembly drawing 4

FUSION 20

24-02-2015

Part List ID  
FUSION2003

12



# Assembly drawing 4

FUSION 20

24-02-2015

Part List ID  
FUSION2003

13

Pos	Part no.	Qty	Description
1	81104A	1	NUT 1/4 20 ESNA TYPE SS
2	438360	1	SPRING-ADJUSTER LIFT
3	87026A	1	WASHER .250 FLAT SS
4	848508	1	SWIVEL-BRAKE ROD
6	836711	2	HAIRPIN FOR 8.0MM CLEVIS
8	53415A	1	SPRING HEADLIFT FUSION 20
9	980648	1	WASH-17/32 ID X 1 1/16 OD PLN
10	962850	1	SCR 1/2 -13X1 1/2 HX ST
11	53416A	1	SPRING LATCH FUSION 20
12	85811A	6	BOLT 5/16-18 X 3/4 HX HD
13	980651	5	WASHER 5/16 SAE FLAT
14	920110	7	NUT LK 5/16-18 REGPLTD
15	30520A	1	BUSHINGSQUEEGEE 2000
16	87607A	2	WASHER FLT 1.25X.52X.06 NYLON
17	66209A	1	PEDALWLDMT FUSION 20IX
18	85730A	8	SCREW 3/8 -16X1 1/4 HEX HD. SS
19	31240A	2	BUMPER FRAME FUSION 20
20	85700A	1	SCR 1/4 -20X1 HX ST CAP
21	85740A	1	SCREWCAP3/8 16 X 4 1/2HEX
22	69639A	1	STATIC STRAP FUSION
23	899769	1	CASTER ASM TB24/32A SER II
24	81105A	13	NUT 3/8 16 ESNA TYPE SS
25	920260	4	NUT 3/8 -16 HEX
26	920365	1	NUT LK 1/2-13 REGPLTD
27	170915	4	SCREW 1/4-20 X 3/4 HX HDSS
28	67877A	1	SPACERBRAKE 32DLX/26DLX
29	980651	2	WASHER 5/16 SAE FLAT
30	85816A	1	SCREW 5/16-18 X 1 3/4 HX HD
31	80078A	2	SCR 1/2 20X1 3/4 HX SZ CAP GR5
32	67705B	2	BEARING SLEEVE 32 AUTO
33	63077A	2	BAR LINKAGE FUSION 20
34	67894A	2	SPACER LINK FUSION 20
35	60217A	1	FRAMEWLDMNT.3 BRG. TRAV FUSPNT
36	53414A	1	SPRING BRAKE FUSION 20
37	838214	1	SPACER BRAKE TB 60 S
39	66212A	1	PAD WLDMTBRAKE FUSION
40	962620	2	SCR 5/16-24 X 3/4 HEX ST CAP
41	980652	8	WASHER LK 5/16 REGPLTD
42	980205	4	WASHER .312 ID/1.06 OD/.075THK
43	980626	2	LOCKWASHER LIGHT SERIES 1/2
44	50297A	3	BEARINGFLANGE3/4 I.D.
45	962157	6	SCR 5/16-18 X 1-1/4 HX ST CAP
46	920132	4	NUT 1/2 20 HEX JAM

# Assembly drawing 4

FUSION 20

24-02-2015

Part List ID  
FUSION2003

14

Pos	Part no.	Qty	Description
47	835215	1	MOTOR TRAVERSE TB 60 S
48	55400A	1	KEY 3/16 X 5/32 HIPRO
50	962593	4	SCREW 1/4-20 X 3/8 NYLON PATCH
51	58702A	1	SPROCKET DRIVE
52	895101	1	CONNECTING LINK 35CHAIN
53	52201A	1	CHAIN-DRIVE
54	915044	2	KEY 3/16 X 3/16 X 1
55	69612A	1	SPROCKET DRIVEN FUSION 20
56	62725A	1	DIFFERENTIAL DRIVE FUSION
57	51196A	2	BEARING FLANGE BLOCK FUSION
58	59962A	2	WHEEL TRAVERSE DRIVE FUSION
59	920110	6	NUT LK 5/16-18 REGPLTD
60	85814A	1	SCREW 5/16-18 X 1 1/4 HX HD
61	925597	1	PIN 3/32 DIA X 3/4 ROLL SS
62	980614	4	WASHER LK 1/4 EXT TOOTHPLTD
63	699202	1	TIE-WIRE 935A
65	50899A	1	GUARD FUSION UPPER CHAIN
66	980657	2	WASHER LOCK 1/4 STD

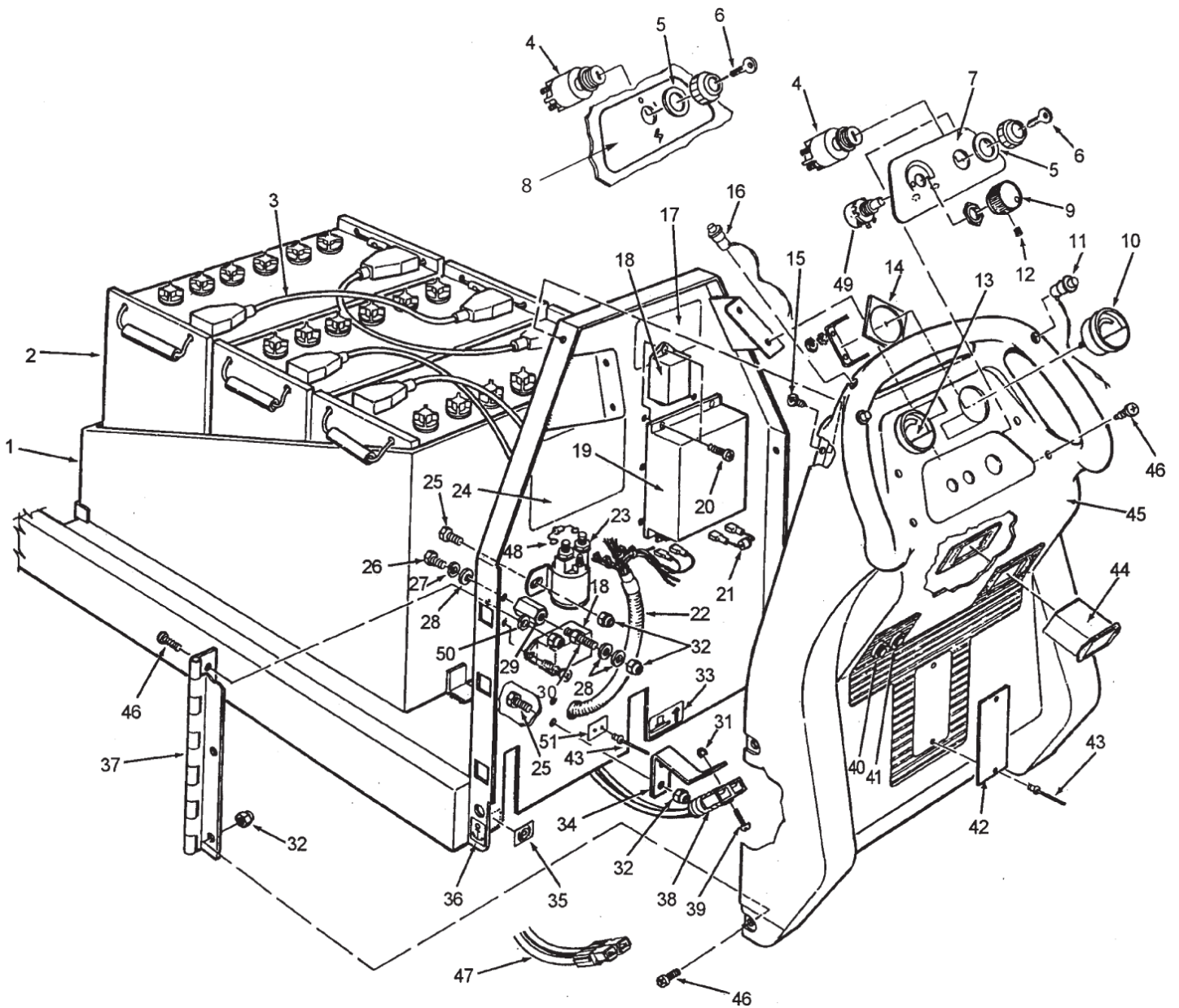
# Assembly drawing 5

FUSION 20

24-02-2015

Part List ID  
FUSION2004

15



# Assembly drawing 5

FUSION 20

24-02-2015

Part List ID  
FUSION2004

16

Pos	Part no.	Qty	Description	
1	39008B	1	TRAY BATTERY FUSION	
2	871334	3	BATTERY 200AH WET 12 VOLT	
3	41206A	2	CABLE-SERIES BATTERY 16 2700	
4	47380A	1	SWITCH KEY 32DLX/STD	
5	87052A	1	WASHER FLT 1.25X1.00X.020NYLON	
6	55413A	1	KEY 26/32 VISIONFOR 47380A S	
9	55502A	1	KNOB-SPEED CONTROL+TEMP CONTRL	
10	40216A	1	AMMETER ROUND PANEL FUSION	
11	53077B	2	SWITCH PUSH BUTTON SPST NO	
12	962262	1	SCREW 8-32 X 1/4 ST CUPPT	
13	44412A	1	METER VOLT ROUND PANEL32 AUTO	
15	85518A	3	SCR 1/4 20X 3/4 PN SY TC F	
16	53078B	1	SWITCH PUSH BUTTON SPDT	
16	57120A	1	PLUG BUTTON	
18	46315B	1	RELAY TIME DELAY 36VDC	
19	41135C	1	CONTROL MOTOR SOLID STATE 33IX	
20	85388A	6	SCREW 10 24 X 1/2 PAN TYP F	
21	42405A	1	DIODE ASSEMBLY	
22	49749A	1	HARNESSWIREMAIN FUSION 20I	
22	49750B	1	HARNESSMAINFUS 20IXW/FILTER	
23	41801A	1	CONTACTOR 36V	
25	85737A	3	SCREW 1/4-20 X 5/8 HEX HD SS	
26	85395A	1	SCREW 1/4 20 X 1/2 PAN HD SS	
27	980657	1	WASHER LOCK 1/4 STD	
28	87026A	3	WASHER .250 FLAT SS	
29	854849	1	INSULATOR RO-42/32IX/26IX	
30	83302A	1	STUD 1/4-20	
31	920056	2	NUT-6X32 ELASTIC STOP	
32	81104A	1	NUT 1/4 20 ESNA TYPE SS	
34	60676A	1	BRKT POWER CON.PLTD 32 AUTO	
35	77266B	1	LABELBRAKEPARKING	
36	77267A	2	LABEL TIE DOWN FUSION	
37	64508A	1	HINGETANK COVER32DLX/STD.	
38	41140A	1	CABLE ASM. CONSOLE AUTOSCRUB	
39	962980	2	SCR 6-32X1 PN ST MACH	
40	41422B	1	BREAKER CIRCUIT 25A SCR.90 DEG	only for 20 IX
40	57165A	1	PLUG NYLON HOLE 3DS	only for 20 I
41	41402C	1	BREAKER CIRCUIT 70A SCR 90 DEG	
42	71018A	1	PLATE WARNING	
43	83010A	3	RIVET POP 1/8	
44	912226	1	METER HOUR 12V DC	
45	30274A	1	COVERREAR FUSION 20IX I	
46	85391A	1	SCR 1/4 20X 5/8 PN SY	



# Assembly drawing 5

FUSION 20

24-02-2015

Part List ID  
FUSION2004

17

Pos	Part no.	Qty	Description
47	41208A	1	CABLE ASM. BATTERY 32DLX/STD
48	42401A	1	DIODE ASM-CONTACTOR only for 20 IX
49	45702A	1	POTENTIOMETER ASM 5K
50	980651	3	WASHER 5/16 SAE FLAT
NI	77194B	1	LABELCONTROLMOTORTRAVERSE

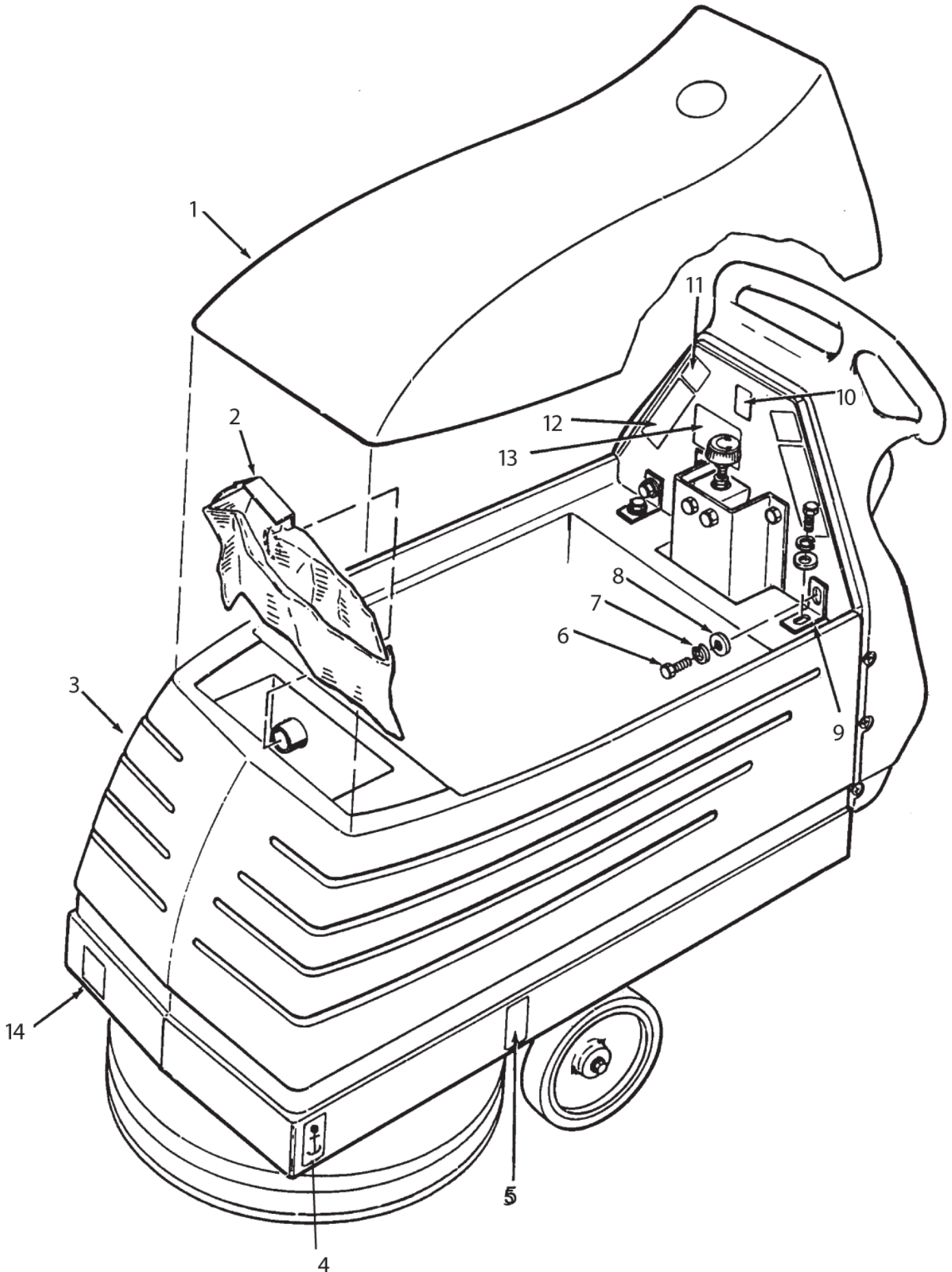
# Assembly drawing 6

FUSION 20

24-02-2015

Part List ID  
FUSION2005

18



# Assembly drawing 6

FUSION 20

24-02-2015

Part List ID  
FUSION2005

19

Pos	Part no.	Qty	Description
1	30277A	1	COVERBATTERY FUSION 20 ALTO
2	50721B	1	BAG PAPERPK10COMBI FILTRA
4	77267A	2	LABEL TIE DOWN FUSION
5	71017A	2	LABEL MOVING PARTS
6	170915	4	SCREW 1/4-20 X 3/4 HX HDSS
7	170892	4	WASHER LK 1/4 REGSS
8	87026A	4	WASHER .250 FLAT SS
9	60659A	2	SQUEEGEE SPRING BRKT 32 AUTO
11	71014A	2	LABEL FALLING PARTS
12	71015A	2	LABEL GASES CHEMICALS

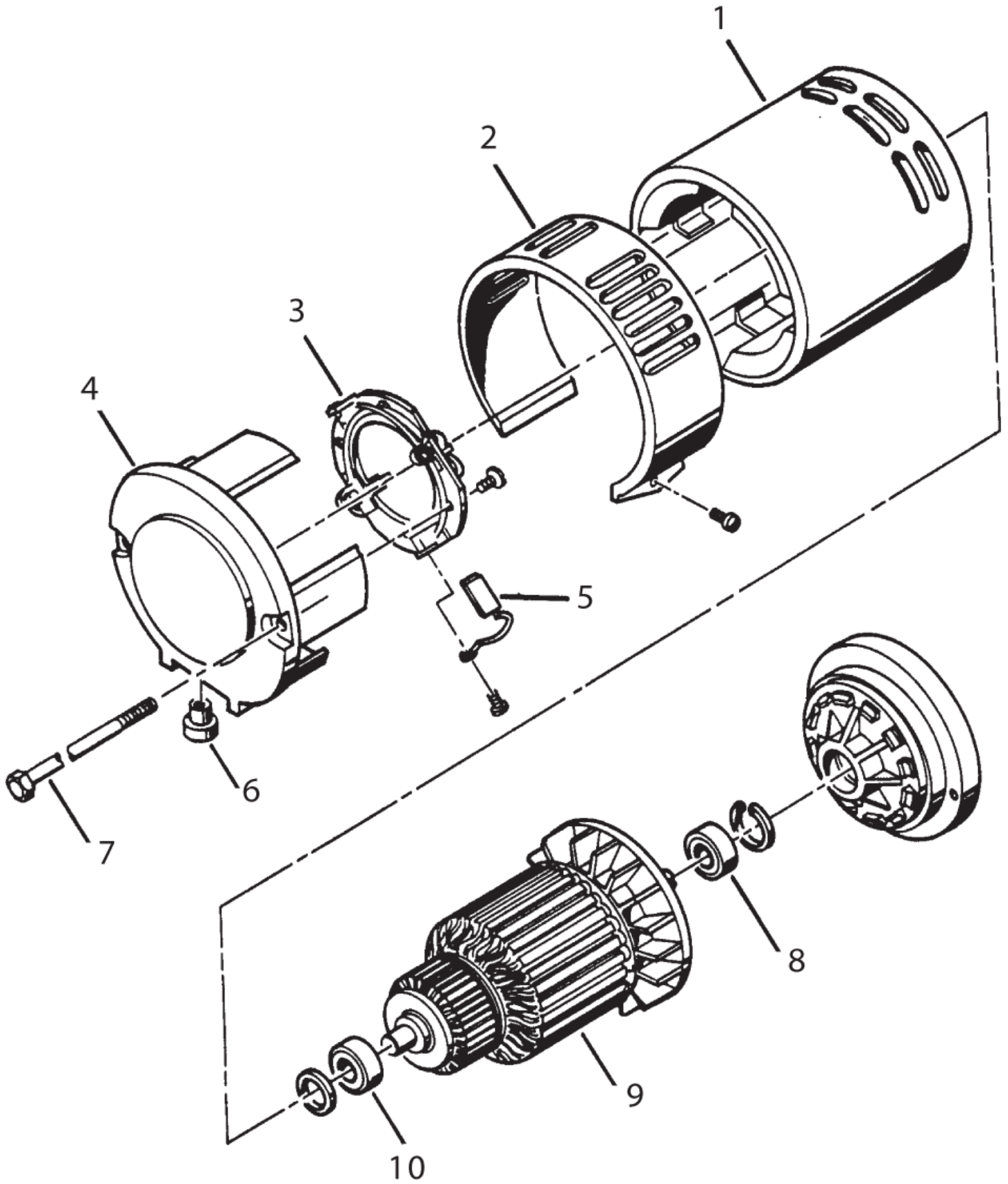
# Pad drive motor

FUSION 20

24-02-2015

Part List ID  
FUSION2006

20



# Pad drive motor

FUSION 20

24-02-2015

Part List ID  
FUSION2006

21

Pos	Part no.	Qty	Description
3	50628A	1	BOARD ASSY BRUSH 45002C 7
5	830943	1	BRUSH ASM CARBON 202
6	627580	2	STR RELIEF HEYCO SR 6L 1
8	902547	1	BEARING 6205
10	902550	1	BEARING BALL-6203

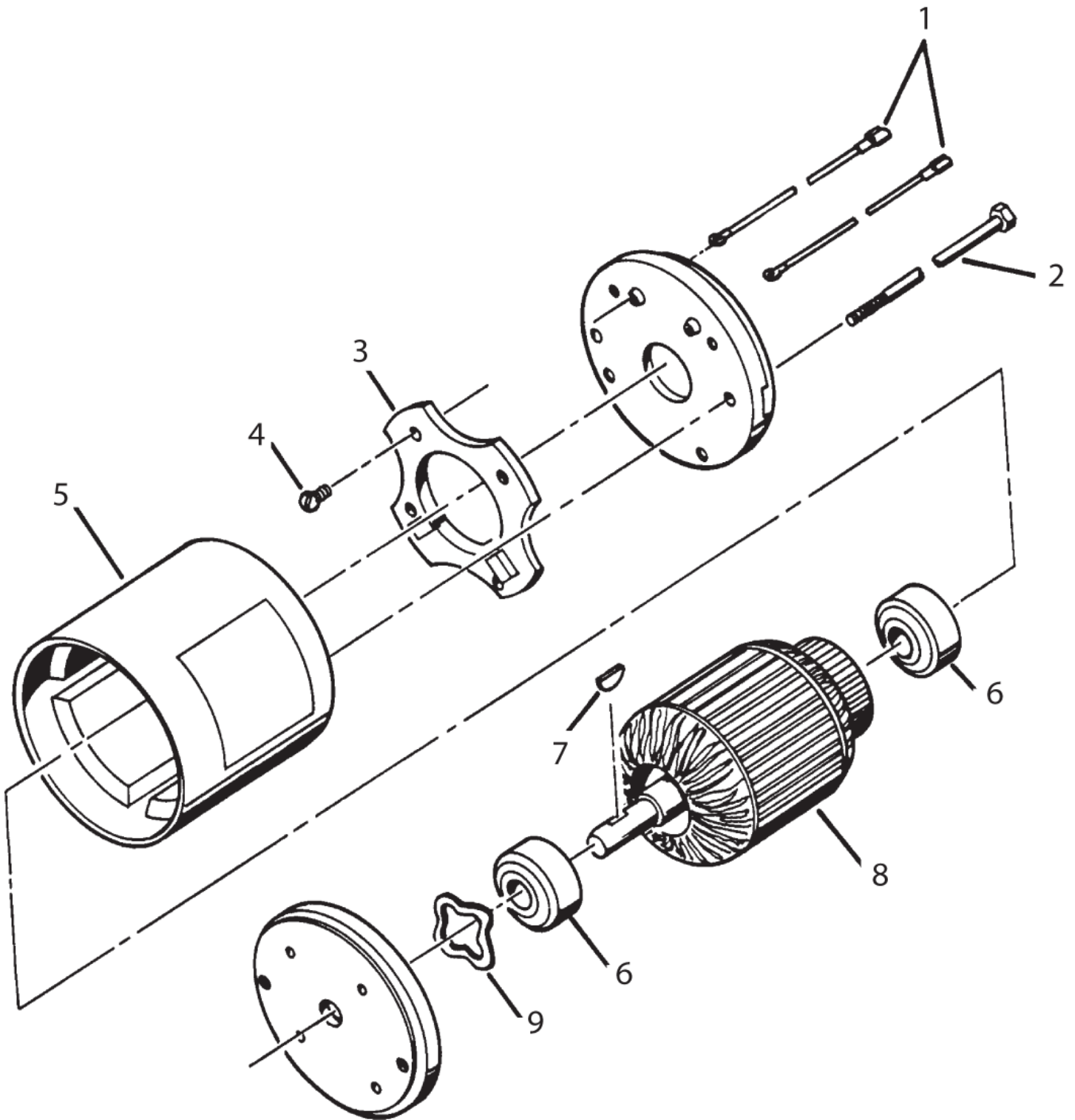
# Traverse Motor

FUSION 20

24-02-2015

Part List ID  
FUSION2007

22



# Traverse Motor

FUSION 20

24-02-2015

Part List ID  
FUSION2007

23

Pos	Part no.	Qty	Description
3	831324	1	BOARD ASM-BRUSH 835215-5
6	902550	2	BEARING BALL-6203
7	55400A	1	KEY 3/16 X 5/32 HIPRO
9	980076	1	WASHER HELICAL
10	830949	2	BRUSH ASM 835215 5

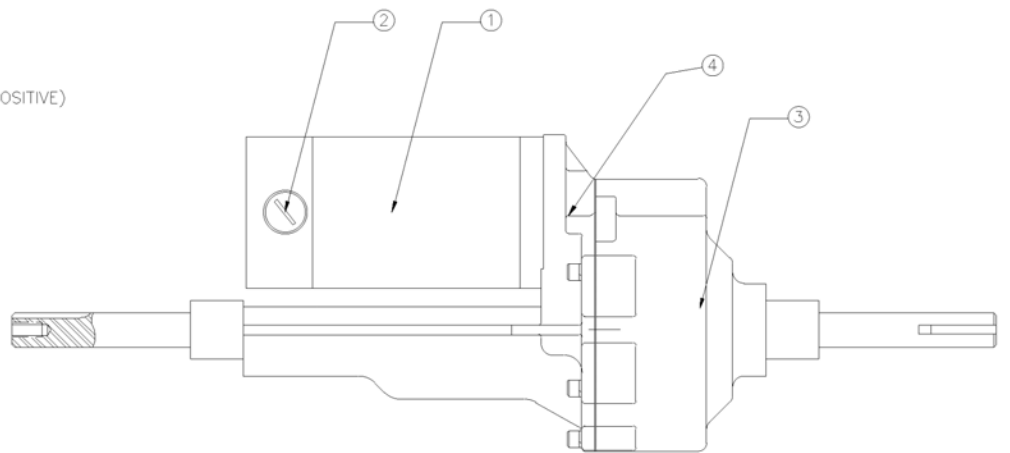
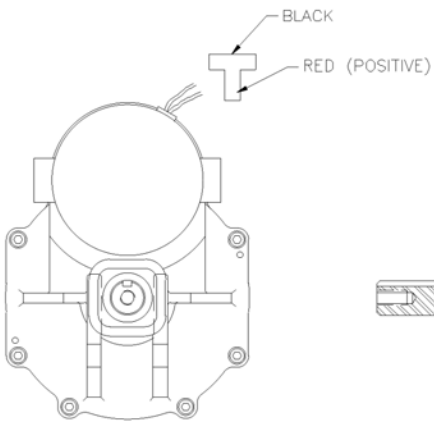
# Transaxle

FUSION 20

24-02-2015

Part List ID  
FUSION2008

24





# Transaxle

FUSION 20

24-02-2015

Part List ID  
FUSION2008

25

Pos	Part no.	Qty	Description
1	52804A	1	MOTOR-TRANSAXLE
2	52803A	1	BRUSH-CARBON SINGLE
3	52802A	1	GEARBOX ASM FOR TRANSAXLE
4	52801A	1	COUPLER-MOTOR DRIVE