

# SCRUBTEC R 466 / R 471 / R 417C / BOOST

---

Model:

SCRUBTEC BOOST R 4

SCRUBTEC R 466

SCRUBTEC R 471

SCRUBTEC R 471C



Stückliste Deutsch

20-11-2014

**Nilfisk**  
**ALTO**  
works for you

[www.nilfisk-alto.com](http://www.nilfisk-alto.com)

# Inhalt

SCRUBTEC R 466 / R 471 / R 417C / BOOST R4

<b>Ansicht allgemein</b>	<b>3</b>
<b>Frischwassertank</b>	<b>5</b>
<b>SCHMUTZWASSERTANK</b>	<b>7</b>
<b>COLUMN SYSTEM</b>	<b>9</b>
<b>STEERING ASSY</b>	<b>11</b>
<b>STEERING WHEEL SUPPORT ASSY</b>	<b>13</b>
<b>DRIVE WHEEL ASSY</b>	<b>15</b>
<b>Chassis-System</b>	<b>17</b>
<b>FRISCHWASSERSYSTEM</b>	<b>19</b>
<b>SQUEEGEE RAISING ASSY</b>	<b>21</b>
<b>SQUEEGEE SYSTEMS</b>	<b>23</b>
<b>MAGIC DECK ASSEMBLY</b>	<b>25</b>
<b>BRUSHES DECK SYSTEMS</b>	<b>27</b>
<b>MAGIC DECK ASSEMBLY CYL. BRUSH</b>	<b>29</b>
<b>CYLINDRICAL BRUSHES DECK 1</b>	<b>31</b>
<b>CYLINDRICAL BRUSHES DECK 2</b>	<b>33</b>
<b>MAGIC DECK ASSEMBLY BOOST BRUSH</b>	<b>35</b>
<b>BOOST BRUSH DECK</b>	<b>37</b>
<b>Elektrokomponenten</b>	<b>39</b>
<b>Batterieladegerät</b>	<b>41</b>
<b>Zubehör 1</b>	<b>43</b>
<b>Zubehör 2</b>	<b>45</b>
<b>Zubehör 3</b>	<b>47</b>
<b>Zubehör 4</b>	<b>49</b>
<b>EMPFOHLENE ERSATZTEILE</b>	<b>51</b>

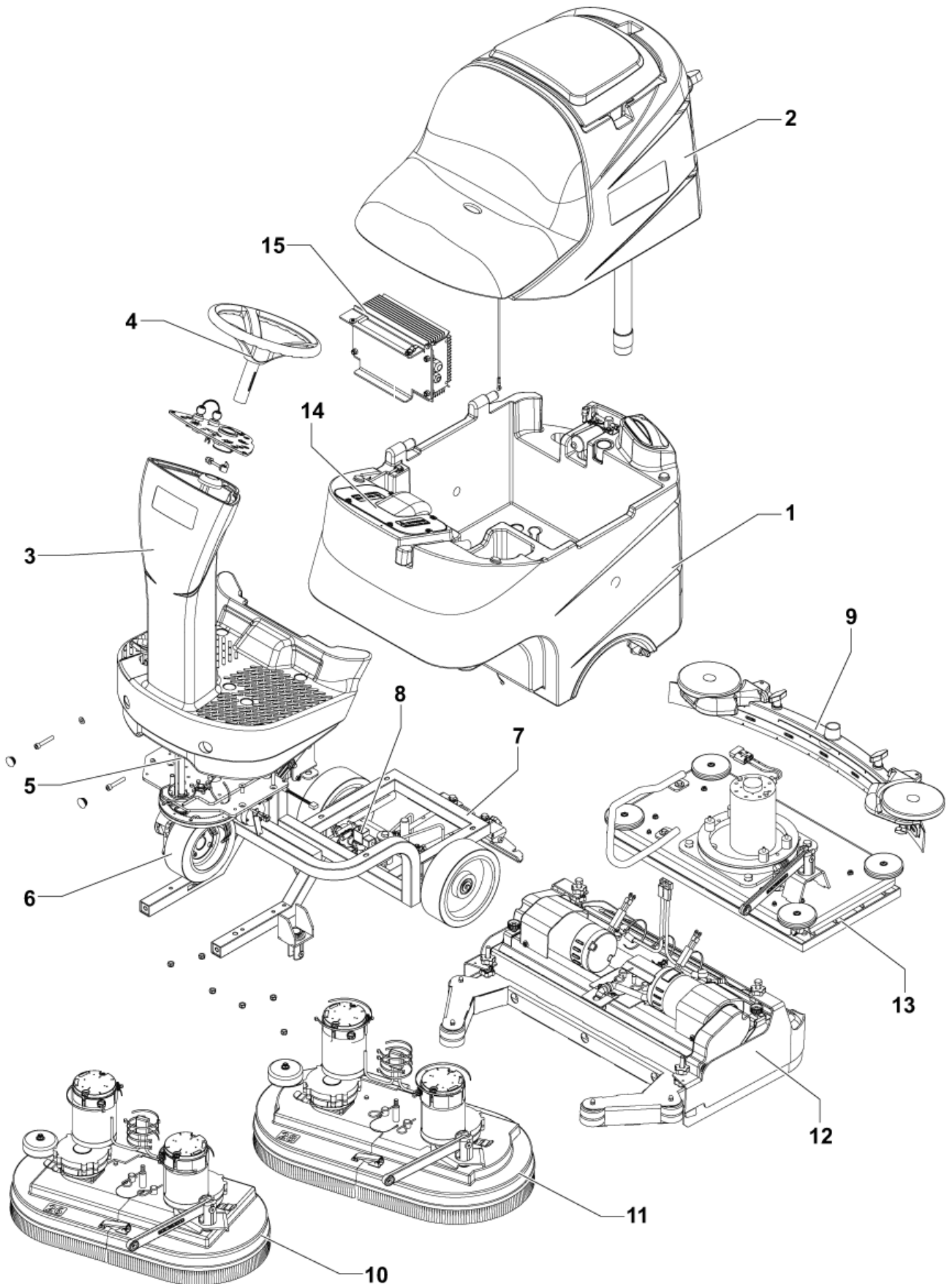
# Ansicht allgemein

SCRUBTEC R 466 / R 471 / R 417C / BOOST R4

20-11-2014

ET-Liste-Nr.  
R466010

3



# Ansicht allgemein

SCRUBTEC R 466 / R 471 / R 417C / BOOST R4

20-11-2014

ET-Liste-Nr. R466010

4

Pos	Artikelnr.	Me	Beschreibung
1		1	USE LINK Solution tank
2		1	USE LINK Recovery tank
3		1	USE LINK Column system
4		1	USE LINK Steering assy
5		1	USE LINK Steering wheel support assembly
6		1	USE LINK Drive wheel assembly
7		1	USE LINK Chassis system
8		1	USE LINK Solution system
9		1	USE LINK Squeegee systems
10		1	USE LINK Brushes deck system 650
11		1	USE LINK Brushes deck system 750
12		1	USE LINK Cyl. Brushes system
13		1	USE LINK BOOST deck system
14		1	USE LINK Electrical components
15		1	USE LINK Battery charger

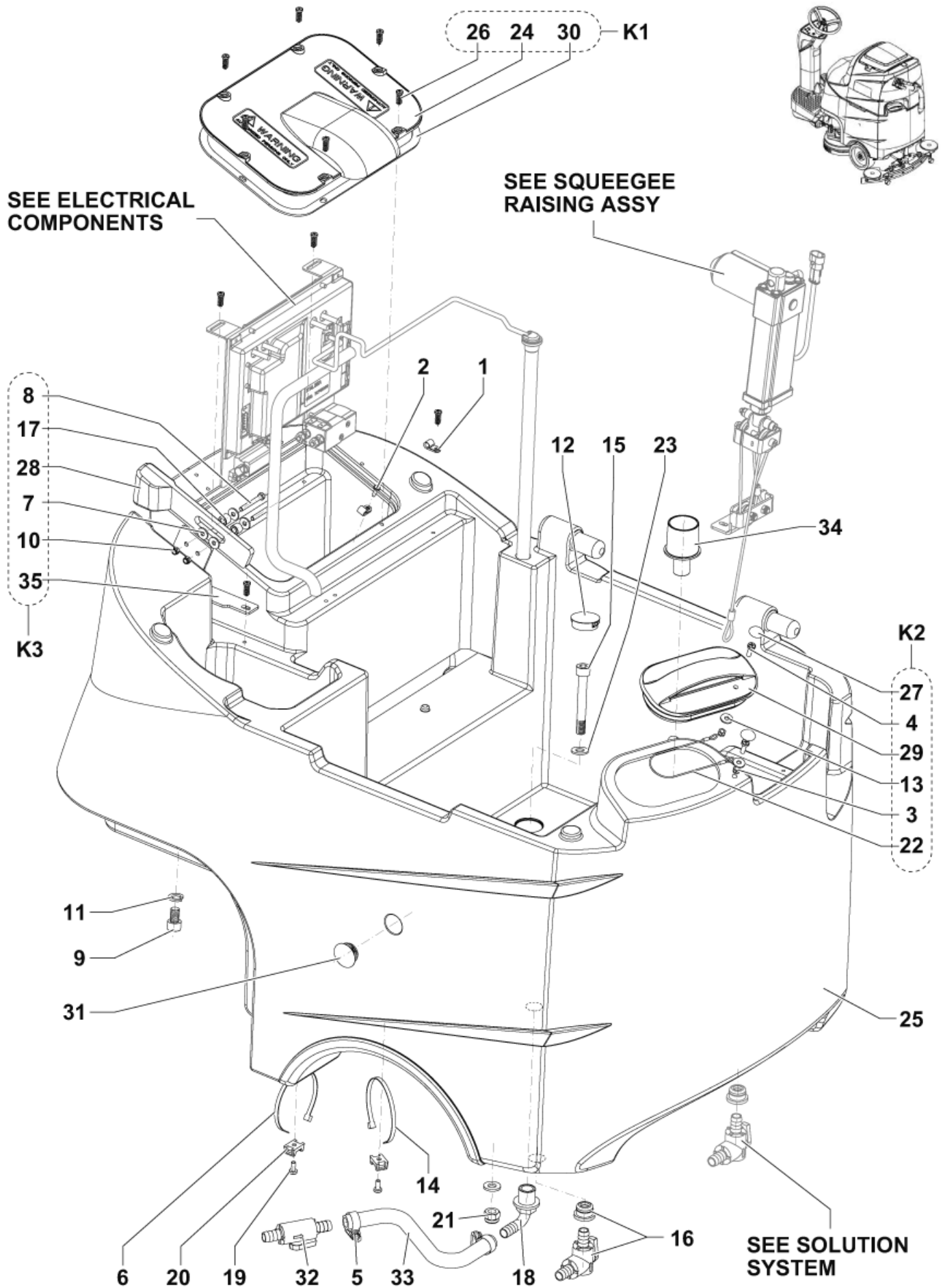
# Frischwassertank

SCRUBTEC R 466 / R 471 / R 417C / BOOST R4

20-11-2014

ET-Liste-Nr.  
R466030

5



# Frischwassertank

SCRUBTEC R 466 / R 471 / R 417C / BOOST R4

20-11-2014

ET-Liste-Nr. R466U30

6

Pos	Artikelnr.	Me	Beschreibung	
16	9097626000	1	VALVE ELBOW KIT	
18	909 6087 000	1	Verbindung	
21	9097028000	2	Eckventil	
25	9098347000	1	FRISCHWASSERTANK BLAU	
31	L08812365	2	Kappe schwarz	
32	9098173000	1	VALVE 1/2-1/2	
33	9098175000	1	HOSE PVC W/SPIRAL D12X18 L.270MM PKD	
34	9098224000	1	Adapter Frischwassertank Entleerung	
K1	9098707000	1	COVER ELECTRONIC CARD KIT	Item 24-26-30
K2	9099167000	1	CAP SOLUTION TANK KIT	Item 3-4-13-22-27-29
K3	9098710000	1	LEVER BATTERY DEACTIVATION KIT	Item 7-8-10-17-28-35
K4	9098711000	1	HARDWARE SOLUTION TANK KIT	Item 1-2-5-6-9-11-12-14-15-19-20-21-23-26

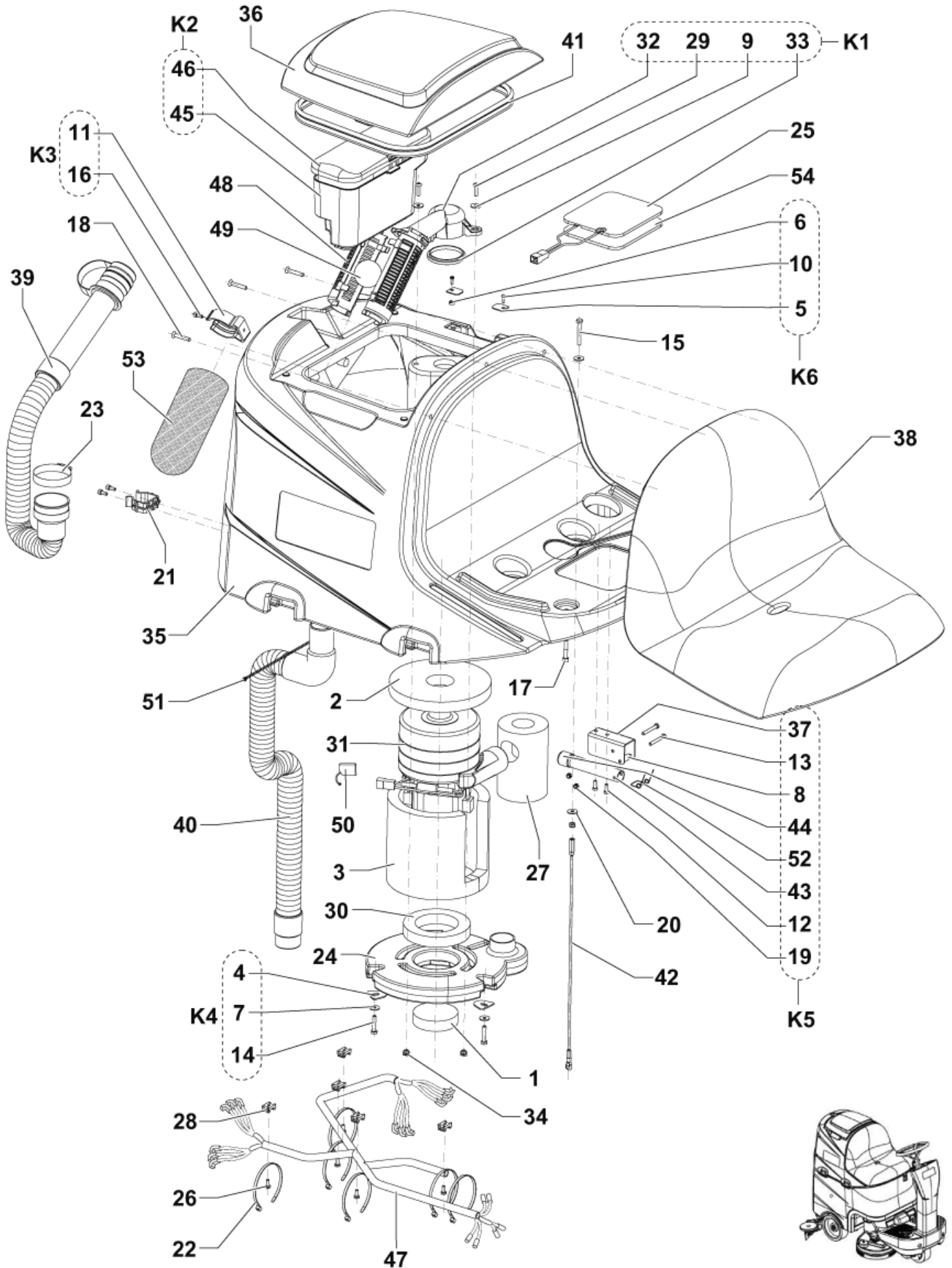
# SCHMUTZWASSERTANK

SCRUBTEC R 466 / R 471 / R 417C / BOOST R4

20-11-2014

ET-Liste-Nr. R466050

7



# SCHMUTZWASSERTANK

## SCRUBTEC R 466 / R 471 / R 417C / BOOST R4

20-11-2014

ET-Liste-Nr. R466U50

8

Pos	Artikelnr.	Me	Beschreibung	
1	909 6672 000	1	FILTER	
2	909 6489 000	1	GASKET VACUUM MOTOR	
3	909 6491 000	1	PANEL,ACOUSTIC INSULATION	
21	56407361	1	Plastikklammer zu BR 850 (f. BR700/850)	
23	146 0771 000	1	CLAMP	
24	909 6051 000	1	Abdeckhaube f. Motor	
25	909 6242 000	1	Mikroschalter	
27	909 6442 000	1	PIPE,ACOUSTIC INSULATION Ansaugrohr	
30	9097555000	1	Dichtung	
31	9098455000	1	MOTOR VACUUM 3 STAGE 670W 24V KIT	Optional - Inst.Instr. 9098456000
31	9099929000	1	Saugturbine 3ST 24V 420W 24V / 420W	
35	9098348000	1	TANK RECOVERY BLUE	
36	9098349000	1	COVER TANK BLUE	
38	9097858000	1	Sitz	
39	9098894000	1	HOSE DRAIN RAL 9005	
40	9098169000	1	HOSE SUCTION	
41	9098895000	1	GASKET COVER TANK L.1150 MM	
42	9098177000	1	Halteseil	
47	9098235000	1	HARNESS RECOVERY TANK	
48	L08812259	2	CAGE,FLOAT CP	
49	L08812373	1	BALL FLOATING	
50	9098716000	1	BRUSH CARBON KIT 2PCS	
53	909 5065 000	1	FILTER ANTIFOAMING	Optional
54	9099210000	1	Klebefolie	
K1	9097681000	1	Schwimmerkorb-Kit	Item 9-29-32-33
K2	9098712000	1	Grobschmutzkorb Kit	Item 45-46
K3	909 6380 000	1	Befestigungskit	Item 11-16
K4	909 6877 000	1	Motor Befestigungskit	Item 4-7-14
K5	9098713000	1	BRACKET SAFETY KIT	Item 8-12-13-19-37-43-44-52
K6	9098714000	1	FIXING TANK KIT	Item 5-6-10
K7	9098715000	1	HARDWARE RECOVERY TANK KIT	Item 7-15-17-18-20-22-26-28-34-51



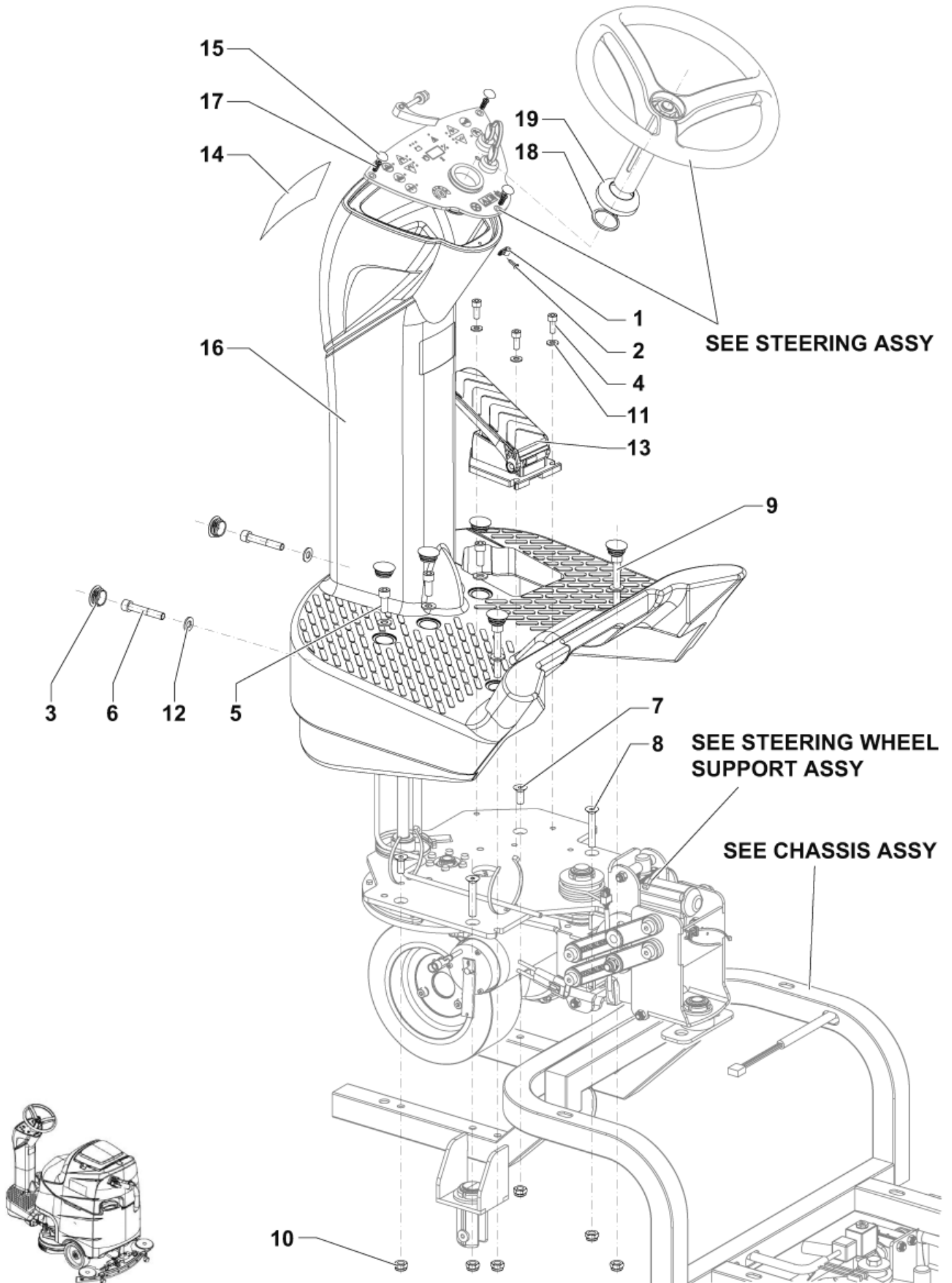
# COLUMN SYSTEM

SCRUBTEC R 466 / R 471 / R 417C / BOOST R4

20-11-2014

ET-Liste-Nr. R466070

9



# COLUMN SYSTEM

SCRUBTEC R 466 / R 471 / R 417C / BOOST R4

20-11-2014

ET-Liste-Nr. R466070

10

Pos	Artikelnr.	Me	Beschreibung
13	9097934000	1	Gaspedal
14	9099168000	1	DECALS SCRUBTEC R 466/471/BOOST KIT
16	9098346000	1	FOOTBOARD WITH COLUMN BLUE
19	9097806000	1	PROTECTION STEERING RING
K1	9098718000	1	BefestigungsKit

Item 1-2-3-4-5-6-7-8-9-10-11-12-15-17-18

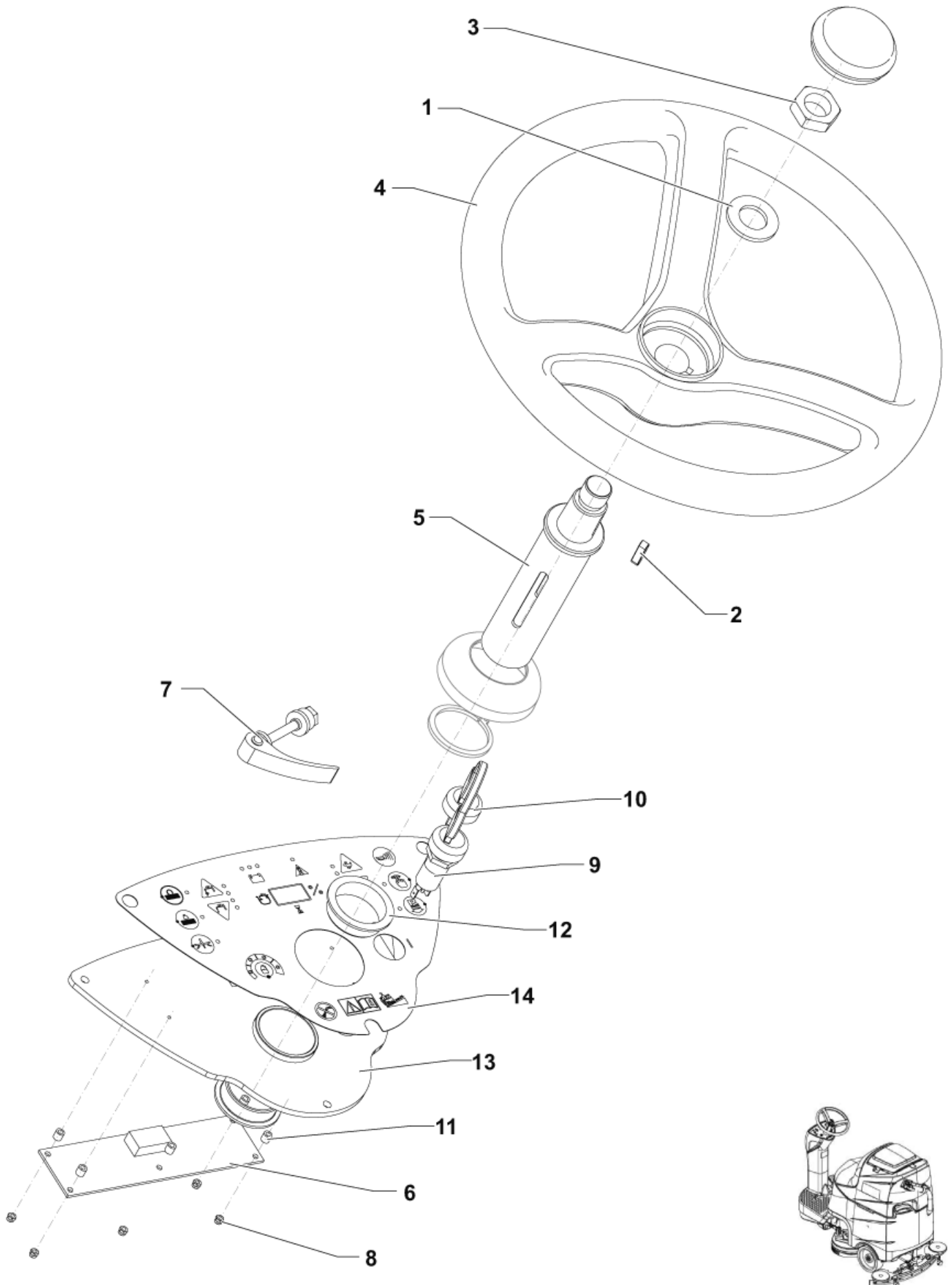
# STEERING ASSY

SCRUBTEC R 466 / R 471 / R 417C / BOOST R4

20-11-2014

ET-Liste-Nr. R466090

11



# STEERING ASSY

SCRUBTEC R 466 / R 471 / R 417C / BOOST R4

20-11-2014

ET-Liste-Nr. R466090

12

Pos	Artikelnr.	Me	Beschreibung
2	1466147000	1	KEY 5X5X20 UNI6604A PKD
4	909 6072 000	1	Steuerrad D 320
5	9098782000	1	TUBE STEERING WHEEL ADJUSTMENT
6	9100000181	1	CARD ELECTRONIC FUNCTIONS KIT
7	9097796000	1	Lenksaule HÖheEinstellung
9	146 2888 000	1	Schlüsselschalter Kappe
10	146 2887 000	1	KEY (2 PCS)
12	9097843000	2	BUSH FLANGED D.40X44X52
13	9098780000	1	PLATE STEERING WHEEL FIXING
14	9098781000	1	Auf kleber
K1	9099169000	1	HARDWARE STEERING WHEEL KIT

Item 1-3-8-11

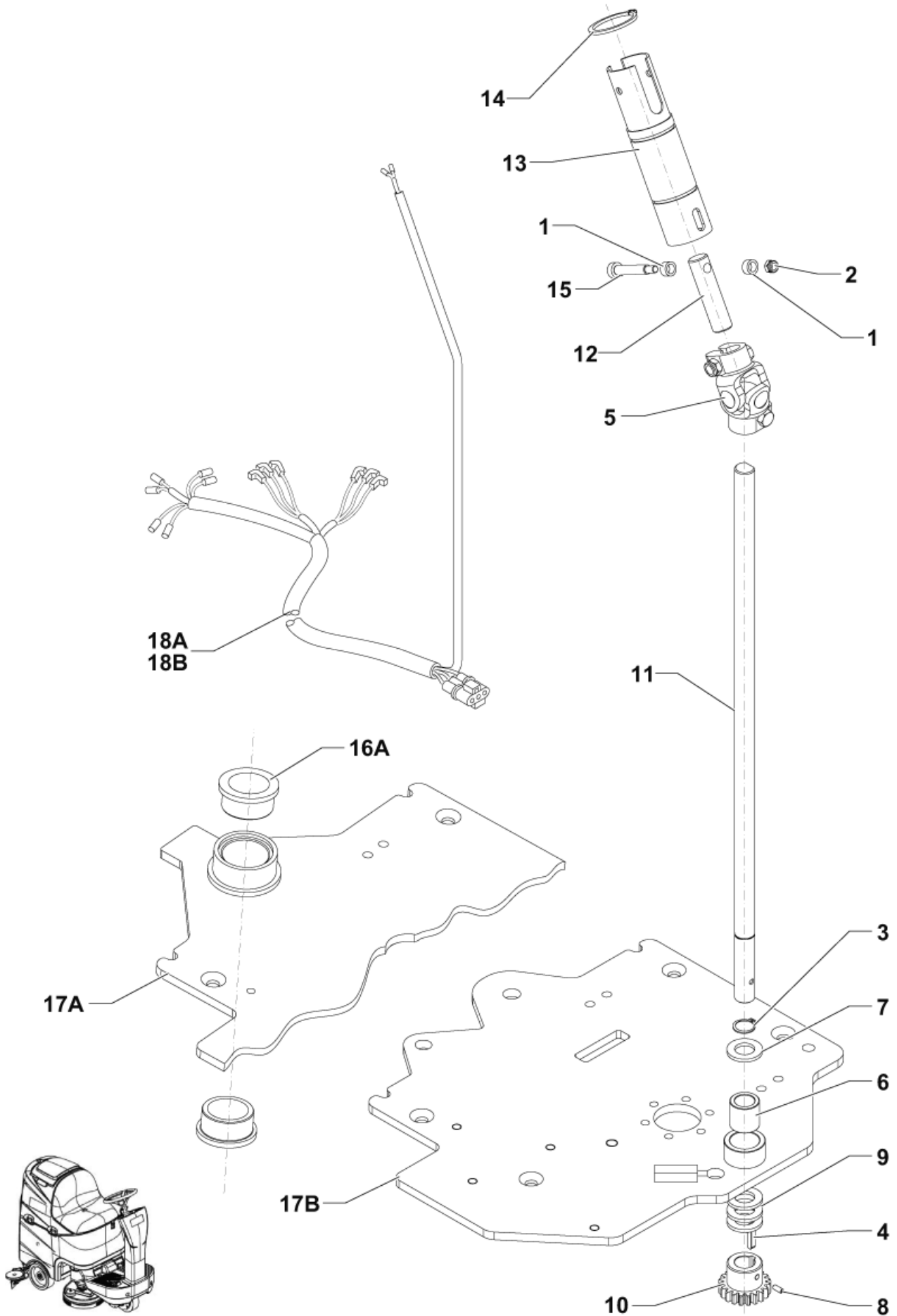
# STEERING WHEEL SUPPORT ASSY

SCRUBTEC R 466 / R 471 / R 417C / BOOST R4

20-11-2014

ET-Liste-Nr. R466110

13



# STEERING WHEEL SUPPORT ASSY

SCRUBTEC R 466 / R 471 / R 417C / BOOST R4

20-11-2014

ET-Liste-Nr. R466110

14

Pos	Artikelnr.	Me	Beschreibung	
4	1466146000	1	KEY 5X5X25 UNI6604A PKD	
5	145 9619 000	1	Verbindung ø17	
10	909 5943 000	1	Zahnstangengelenk	
11	9097840000	1	SHAFT STEERING	
12	9098779000	1	SHAFT STEERING	
13	9099425000	1	TUBE STEERING KIT	TSB IT 2011-076
15	9098166000	1	SCREW 8X40 M6 ISO7379 12.9 GEOMET 320A	
K1	9098720000	1	BefestigungsKit für Lenkung	Item 1-2-3-6-7-8-9-14 - TSB IT 2011-076
16A	9098216000	2	BUSH FLANGED D.30X38X44	Only for Scrubtec R466 - R471 - BOOST R4
17A	9097937000	1	PLATE STEERING SUPPORT	Only for Scrubtec R466 - R471 - BOOST R4
17B	9098412000	1	PLATE STEERING SUPPORT	Only for Scrubtec R471C
18A	9098891000	1	HARNESS FOOT BOARD DISC DECK	Only for Scrubtec R466 - R471 - BOOST R4
18B	9098892000	1	HARNESS FOOT BOARD CYL DECK	Only for Scrubtec R471C

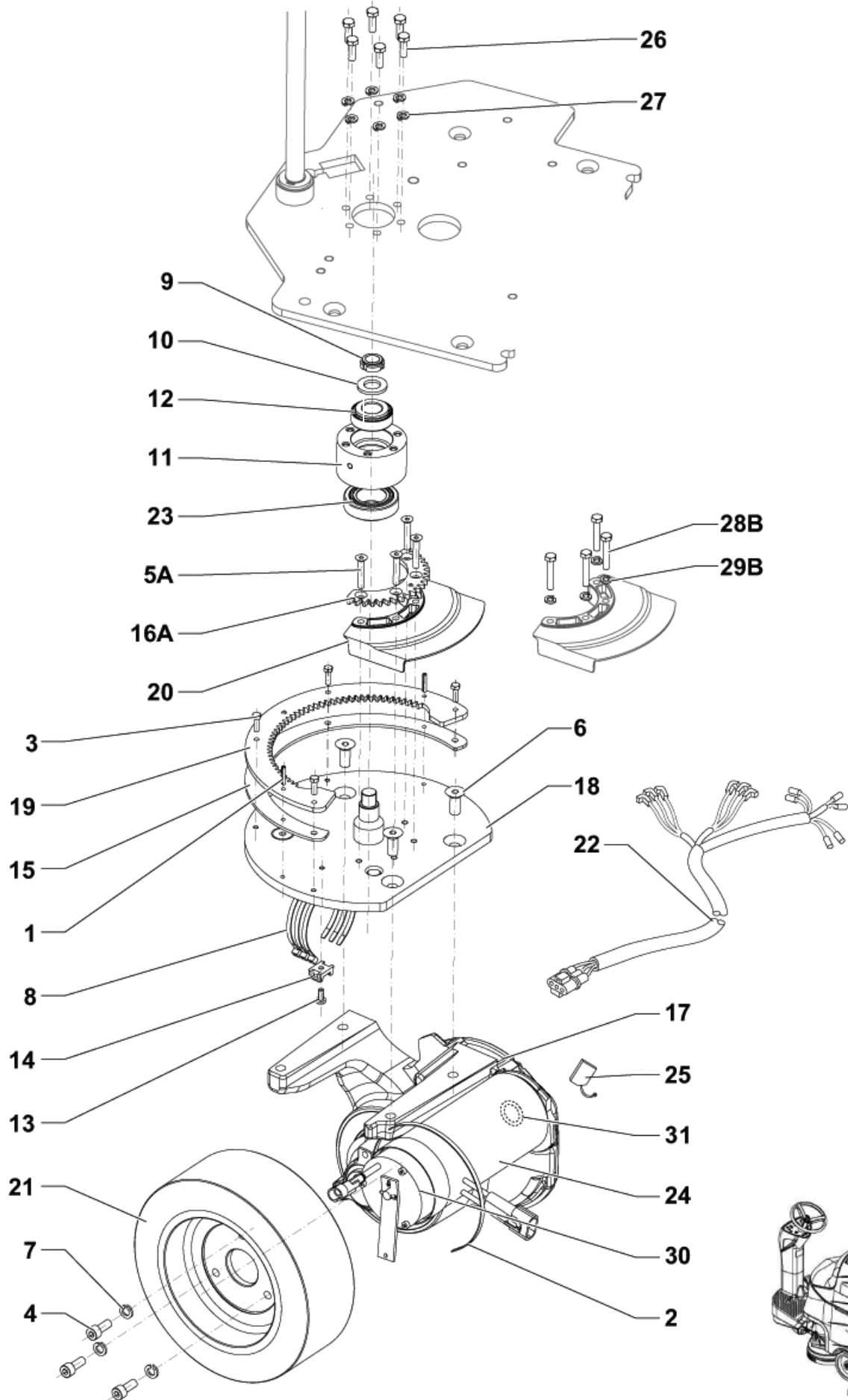
# DRIVE WHEEL ASSY

SCRUBTEC R 466 / R 471 / R 417C / BOOST R4

20-11-2014

ET-Liste-Nr. R466130

15



# DRIVE WHEEL ASSY

SCRUBTEC R 466 / R 471 / R 417C / BOOST R4

20-11-2014

ET-Liste-Nr. R466130

16

Pos	Artikelnr.	Me	Beschreibung	
11	909 5941 000	1	Distanzstück	
12	909 5942 000	1	Kugellager	
15	9097807000	1	SPACER CROWN STEERING	
17	9100000074	1	MOTOR WHEEL 300W 24V KIT	
18	9097837000	1	BRACKET STEERING	
19	9097841000	1	CROWN STEERING Z100	
20	9098165000	1	PROTECTION DRIVE WHEEL WIRING	
21	9098407000	1	Antriebsrad	
22	9098430000	1	Kabelbaum Kit Antriebsrad	
23	145 4691 000	1	Kugellager 32006x-E00.032	
24	9098625000	1	MOTOR ELECTRIC	when stock used up order 9100000076
24	9100000076	1	MOTOR ELECTRIC 300W 24V	
25	9098627000	1	BRUSH CARBON KIT	
30	9098626000	1	Bremse, Elektromagnetisch	
31	9098800000	1	OIL SEAL 15X32X7	For MOTOR WHEEL 9097834000
K1	9098721000	1	Befestigungskit	Item 1-2-3-4-5-6-7-8-9-10-13-14-26-27-28-29
16A	9097809000	1	GEAR MAIN Z45	Only for Scrubtec R466 - R471 - BOOST R4



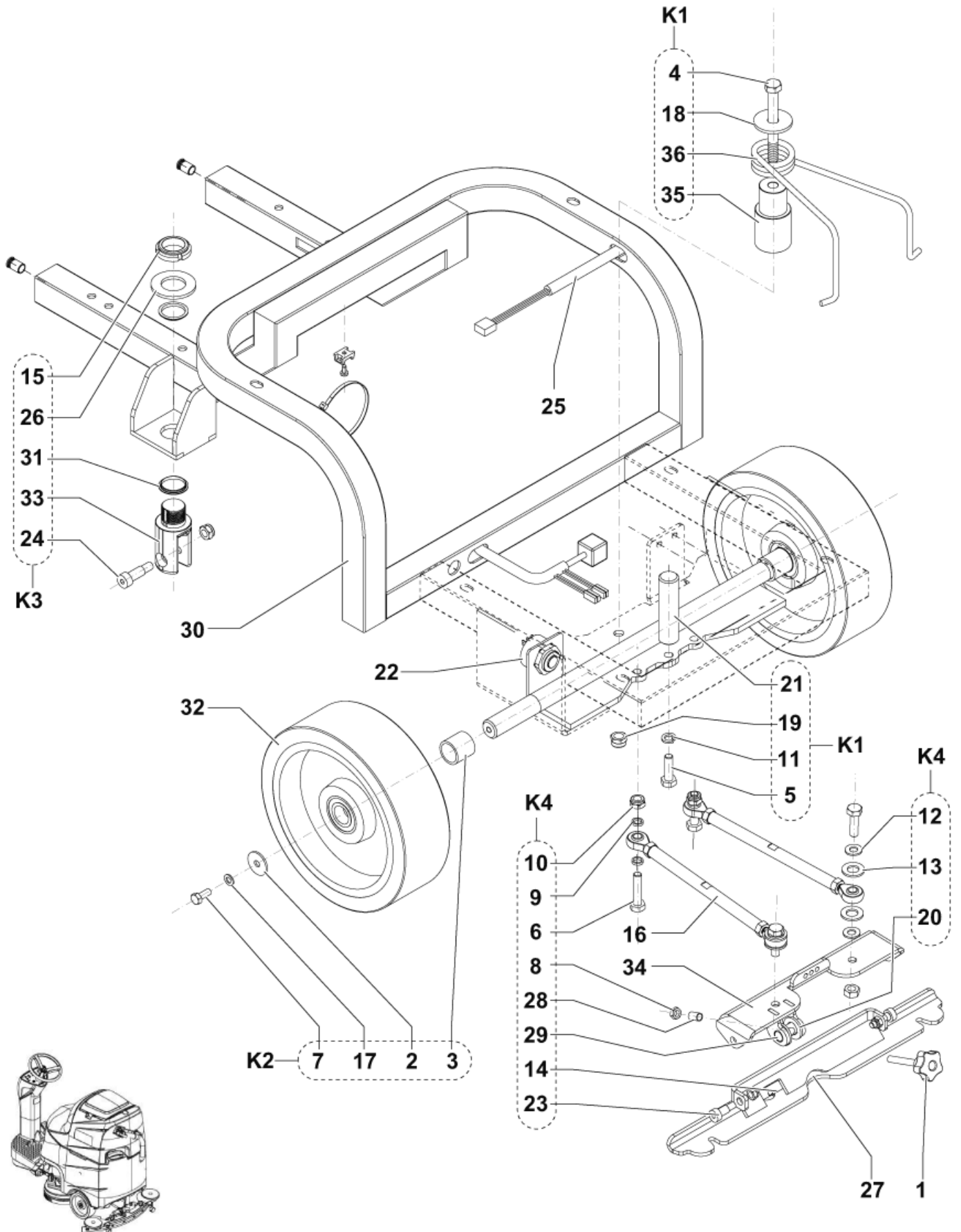
# Chassis-System

SCRUBTEC R 466 / R 471 / R 417C / BOOST R4

20-11-2014

ET-Liste-Nr. R466150

17



# Chassis-System

SCRUBTEC R 466 / R 471 / R 417C / BOOST R4

20-11-2014

ET-Liste-Nr. R466150

18

Pos	Artikelnr.	Me	Beschreibung	
1	9099136000	1	Handrad	
16	9097931000	2	ROD EYE M10	
22	909 6126 000	1	HUPE 5-32V	
25	9098236000	1	HARNESS REAR MACHINE	
27	9098390000	1	SUPPORT SQUEEGEE DOWN	
30	9097798000	1	CHASSIS	
32	9100000772	2	WHEEL D.254 80SH GREY PKD	
34	9097827000	1	SUPPORT SQUEEGEE UPPER	
K1	9098722000	1	CENTRING SQUEEGEE KIT Saugleiste	Item 4-5-11-19-18-21-35-36
K2	9098723000	1	FIXING WHEELS KIT	Item 2-3-7-17
K3	9098724000	1	BRACKET TURNING KIT	Item 15-24-26-31-33 - Only for Scrubtec R466 - R47
K4	9098725000	1	BefestigungsKit	Item 6-8-9-10-12-13-14-20-23-28-29

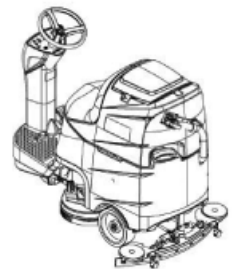
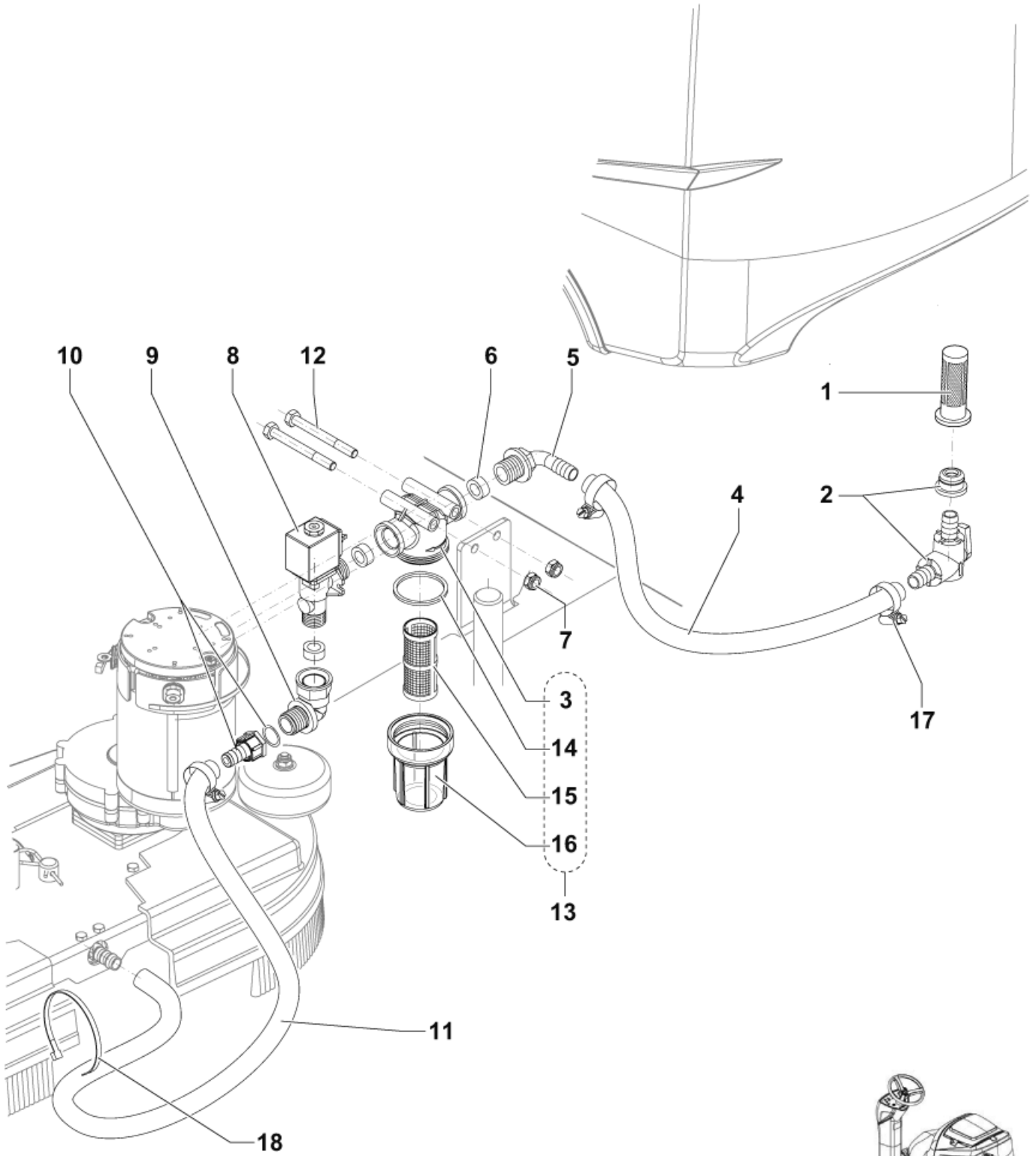
# FRISCHWASSERSYSTEM

SCRUBTEC R 466 / R 471 / R 417C / BOOST R4

20-11-2014

ET-Liste-Nr. R466170

19



# FRISCHWASSERSYSTEM

## SCRUBTEC R 466 / R 471 / R 417C / BOOST R4

20-11-2014

ET-Liste-Nr. R466170

20

Pos	Artikelnr.	Me	Beschreibung	
1	9096916000	1	FILTER SOLUTION TANK Frischwassertank	Optional
2	9097626000	1	VALVE ELBOW KIT	
4	9098120000	1	HOSE PVC W/SPIRAL D12X18 L.323MM PKD	
5	909 6087 000	1	Verbindung	
6	9100000622	3	GASKET RUBBER D.11.5x19x5 BLACK PKD	
8	909 6555 000	1	SOLENOID VALVE 24V	
9	909 6086 000	1	Verbindung	
10	9097115000	1	Schlauchanschluß	
11	9097821000	1	Schlauch D12 x 1020mm	
13	9098115000	1	Wasserfilter	
14	9097943000	1	Dichtung für Wasserfilter	
15	9097944000	1	Filtereinsatz	
16	9097945000	1	Deckel Wasserfilter	
K1	9098726000	1	Befestigungskit	Item 7-12-17-18

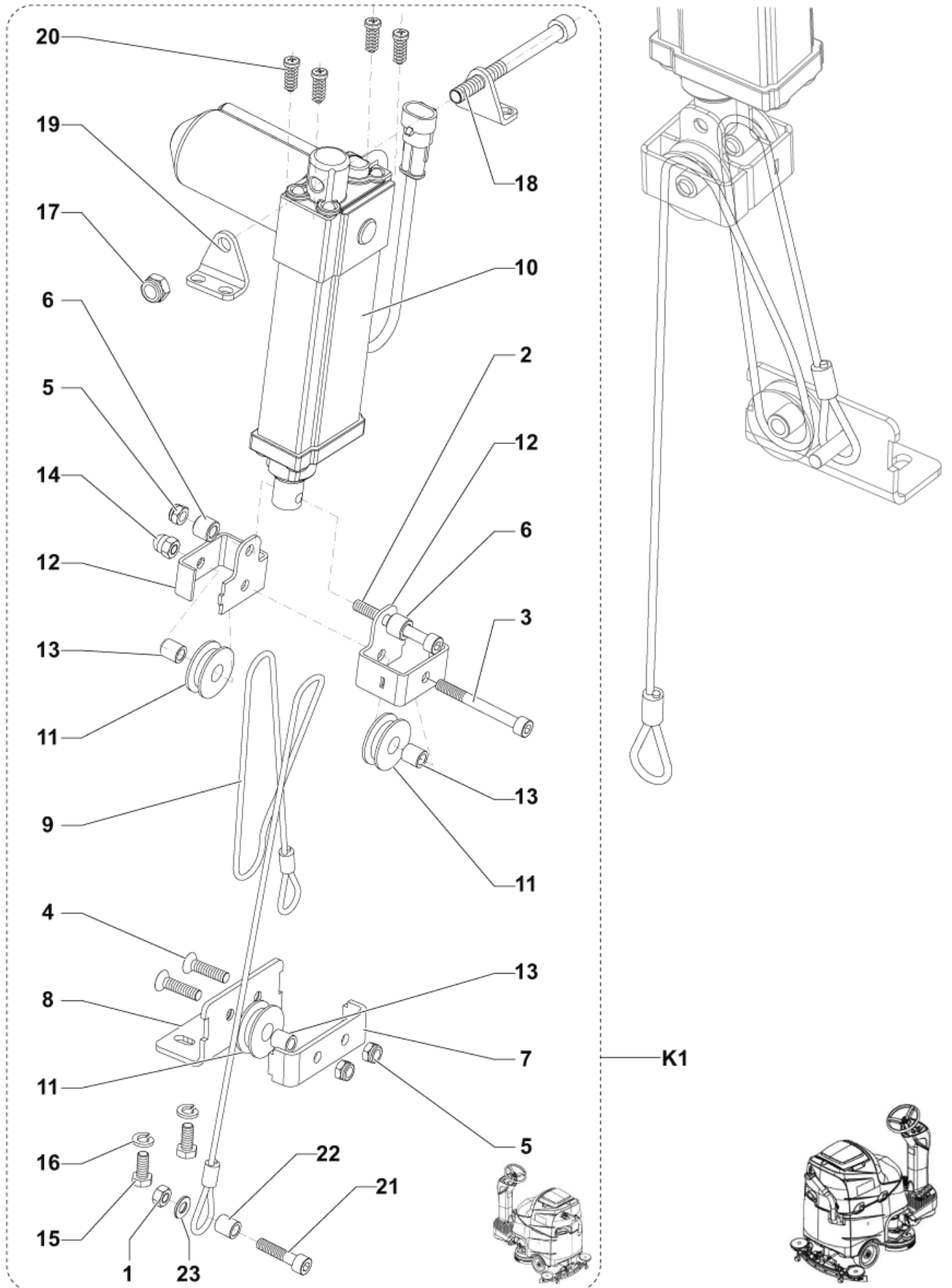
# SQUEEGEE RAISING ASSY

SCRUBTEC R 466 / R 471 / R 417C / BOOST R4

20-11-2014

ET-Liste-Nr. R466190

21



# SQUEEGEE RAISING ASSY

SCRUBTEC R 466 / R 471 / R 417C / BOOST R4

20-11-2014

ET-Liste-Nr. R466190

22

Pos	Artikelnr.	Me	Beschreibung
9	9097933000	1	Seilzug f. Absaugleiste
10	9100000682	1	ACTUATOR LINEAR 24V DC STRK 100MM PKD
11	9098248000	3	Umlenkrolle
K1	9098708000	1	SQUEEGEE LIFTING KIT für Saugleiste

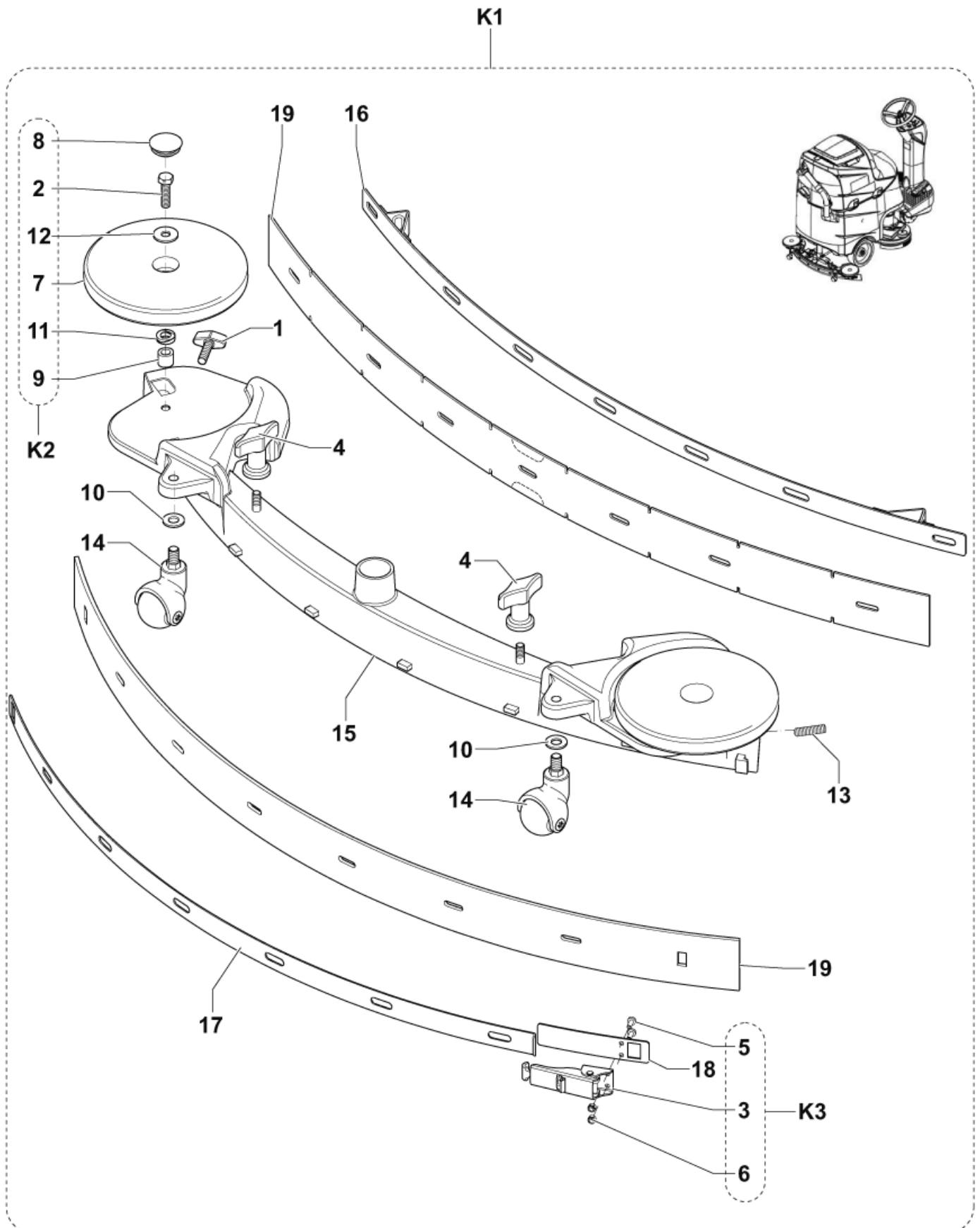
# SQUEEGEE SYSTEMS

SCRUBTEC R 466 / R 471 / R 417C / BOOST R4

20-11-2014

ET-Liste-Nr. R466210

23



# SQUEEGEE SYSTEMS

SCRUBTEC R 466 / R 471 / R 417C / BOOST R4

20-11-2014

ET-Liste-Nr. R466Z10

24

Pos	Artikelnr.	Me	Beschreibung	
1	909 6551 000	1	Drehknopf M8X30 SS	
4	9097637000	1	SQUEEGEE FIXING KIT	
10	33005916	2	Unterlagscheibe M10 UNI6592	
13	909 6600 000	1	Schraube M8X30 UNI5929 SS	
14	9099163000	2	Lenkrolle D42	
15	9098379000	1	Gehäuse - Absaugleiste	
16	9098380000	1	STRAP FRONT SQUEEGEE 35 INC Saugleiste vorne	
17	9098381000	1	STRAP SKIRT REAR RIGHT 35 INC. Saugleiste Aussen	
18	9098382000	1	Spannverschluss	
19	9097804000	1	Gummilippen Kit 890mm/35	Optional
19	9099855000	1	BLADES PU 890MM/35 KIT	
K1	9098728000	1	Absaugleiste kpl. 890mm	
K2	909 6887 000	2	Abweisrollenkit	Item 2-7-8-9-11-12
K3	909 6394 000	1	LATCH SQUEEGEE KIT	Item 3-5-6



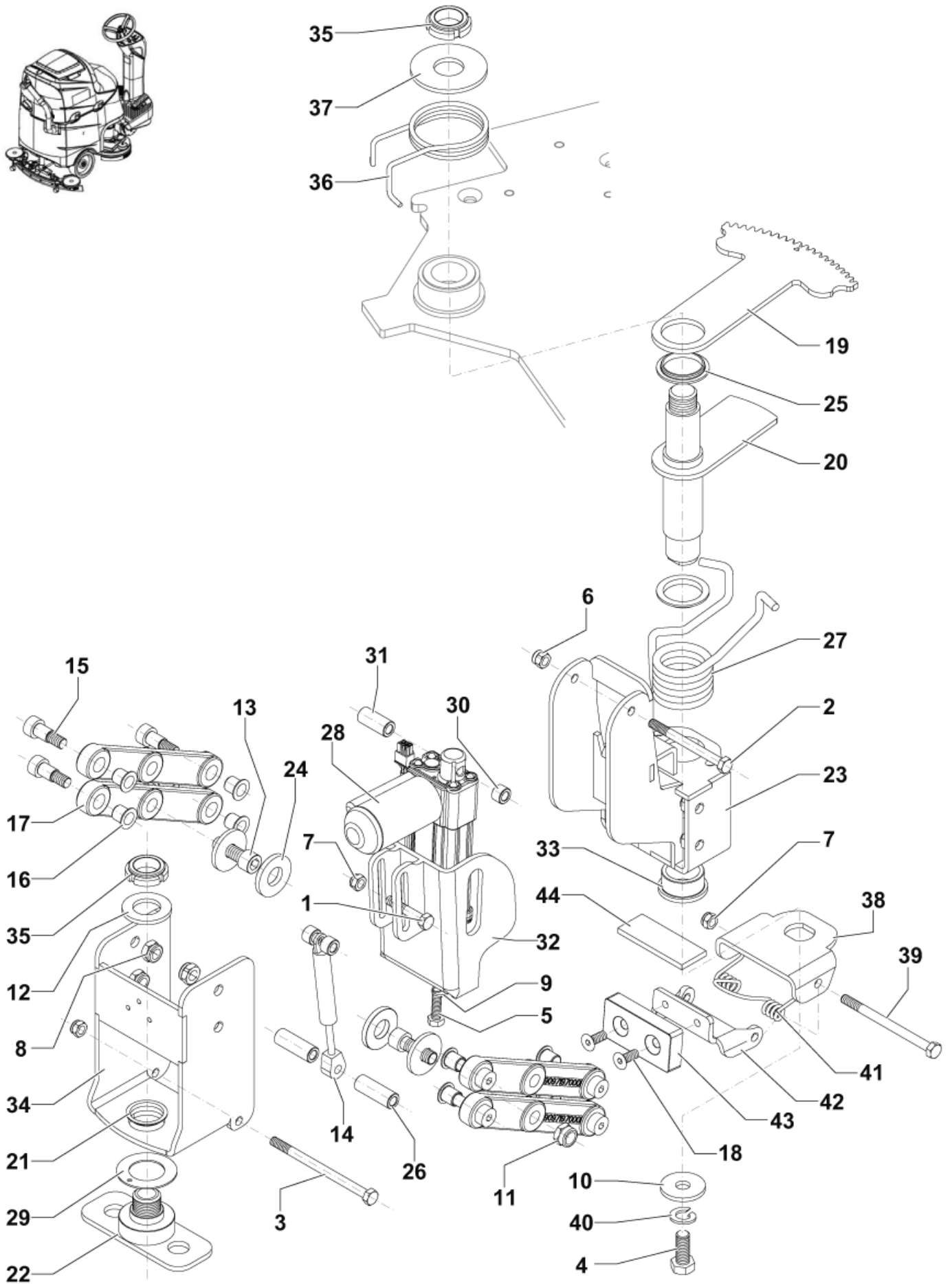
# MAGIC DECK ASSEMBLY

SCRUBTEC R 466 / R 471 / R 417C / BOOST R4

20-11-2014

ET-Liste-Nr.  
R466230

25



# MAGIC DECK ASSEMBLY

## SCRUBTEC R 466 / R 471 / R 417C / BOOST R4

20-11-2014

ET-Liste-Nr. R466Z30

26

Pos	Artikelnr.	Me	Beschreibung
14	909 5637 000	1	Feder
15	909 6520 000	8	SCREW 12X16 M10 ISO7379 12.9 GEOMET320A
16	9097008000	8	BUSH FLANGED
17	9097197000	4	LEVER
19	9097810000	1	GEAR SLAVE
20	9097811000	1	PIN DRIVEN CROWN
21	9097812000	1	BUSH FLANGED D.30X32X37
22	9097819000	1	BRACKET ROTATING SUPPORT DECK
23	9097822000	1	SUPPORT JACK
24	9097824000	2	Buchse D.18.2X40
25	9097835000	2	BUSH FLANGED D.35X39X47
26	9097836000	2	SPACER D. 8.5X15X42
27	9097850000	1	Federdämpfer Schrubbdeck
28	9097852000	1	ACTUATOR 24V DC STROKE 66MM 16MM/S
29	9097854000	1	BUSH D.32X54
30	9097938000	3	SPACER D. 8.5X15X10
31	9097939000	1	SPACER D. 8.5X15X33
32	9098176000	1	BRACKET LOWER JACK MOTOR
33	9098216000	1	BUSH FLANGED D.30X38X44
34	9098220000	1	BRACKET SUPPORT DECK
35	33005721	2	Ringmutter M25x1,5
36	9097851000	1	Zentrierfeder
37	9098239000	1	WASHER FLAT D.25.5X65X4
38	9098195000	1	FLANGE UP DRAGGING
41	9098197000	1	SPRING INSERTION DRAGGING
42	9098196000	1	FLANGE DOWN DRAGGING
43	9097813000	1	Führung
44	9098857000	1	RUBBER ANTISHOCK
K1	9098272000	1	HARDWARE BRUSH DECK SUPPORT KI

Item 1-2-3-4-5-6-7-8-9-10-11-12-13-18-39-40

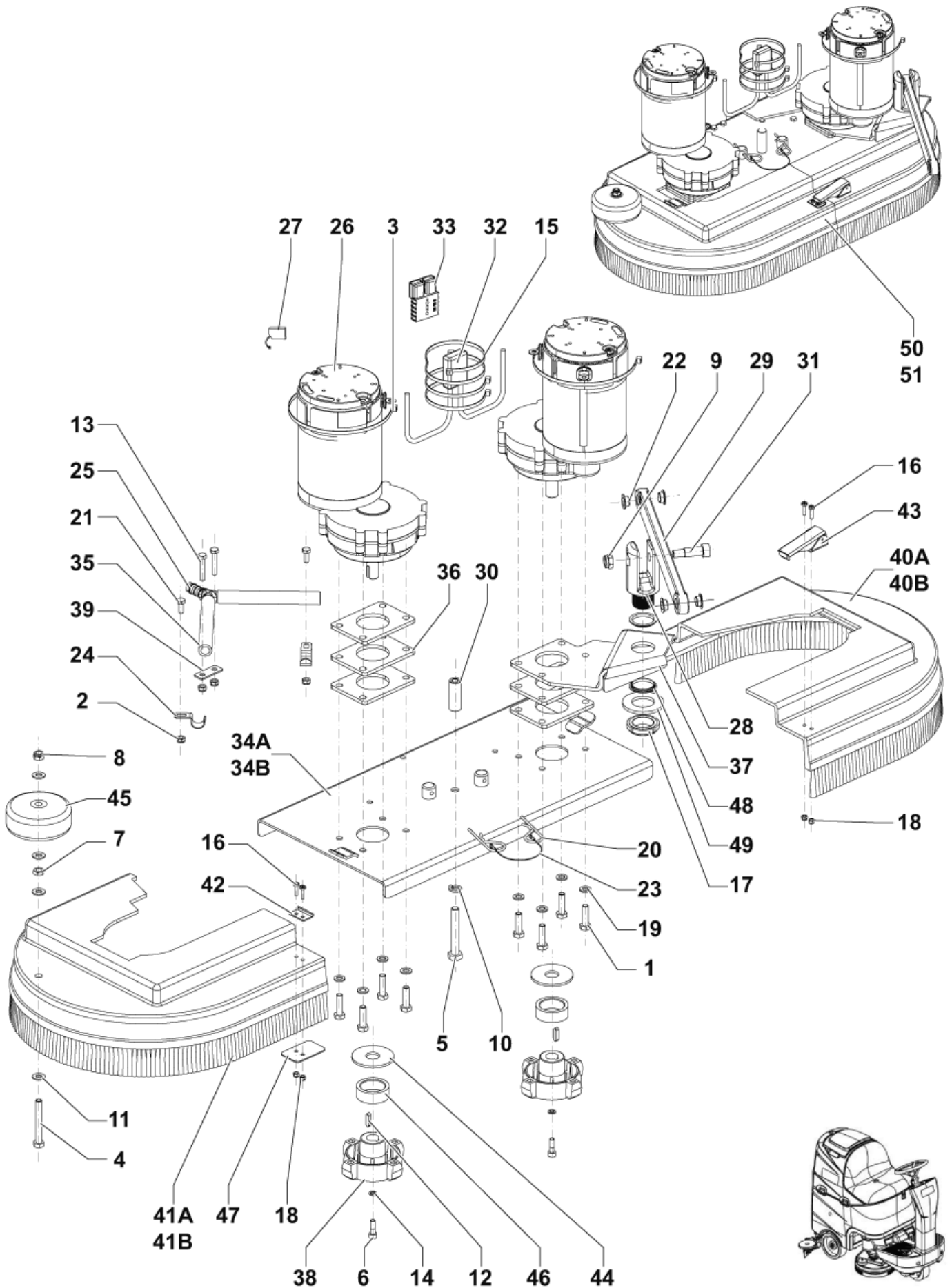
# BRUSHES DECK SYSTEMS

SCRUBTEC R 466 / R 471 / R 417C / BOOST R4

20-11-2014

ET-Liste-Nr. R466250

27



# BRUSHES DECK SYSTEMS

## SCRUBTEC R 466 / R 471 / R 417C / BOOST R4

20-11-2014

ET-Liste-Nr. R466Z50

28

Pos	Artikelnr.	Me	Beschreibung	
12	1466147000	2	KEY 5X5X20 UNI6604A PKD	
25	909 6164 000	1	ELBOW Y D.13	
26	9100000309	2	REDUCTION GEARMOTOR 400W 24V KIT	
27	909 5380 000	2	Kohlebürste KIT	FOR OLD MOTOR CODE 9097178000
27	9100000421	1	CARBON BRUSHES W/HOLDER KIT	FOR MOTOR CODE 9100000309
28	9097839000	1	BRACKET TURNING	
29	9097853000	1	ARM SIDE	
32	9098374000	1	Kabelbaum für Bürstendeck	
33	9098761000	1	Stecker 50A ROT	
35	9098433000	2	HOSE PVC W/SPIRAL D12X18 L.140MM PKD	
36	9098434000	5	SPACER 5MM	
37	9098435000	1	SPACER SIDE ARM	
38	9098436000	2	HUB BRUSH	
43	55721A	1	Verriegelung f. Encore 28-33 -33	
45	59950A	1	Wheel ASM,drive(32auto)	
47	69186A	1	TAB,LATCH,BRUSH (ENCORE 33) Bürste	
50	9099170000	1	DECK BRUSH KIT CLARKE 26	
51	9099171000	1	DECK BRUSH KIT CLARKE 28	
K1	9099174000	1	HARDWARE BRUSH DECK KIT	Item 1-2-3-4-5-6-7-8-9-10-11-12-13-14-15-16-17-18-
34A	9098432000	1	PLATE SUPPORT F BRUSH DECK	Only for Scrubtec R466
34B	9098438000	1	PLATE SUPPORT F BRUSH DECK	Only for Scrubtec R471
40A	30661A	1	Abdeckung links	Only for Scrubtec R466
40B	30574A	1	Bürste HSG links ""SCRUBTEC" 28" ubtec" 28 "	Only for Scrubtec R471
41A	30662A	1	Abdeckung rechts	Only for Scrubtec R466
41B	30575A	1	Bürste HSG RT ""SCRUBTEC""	Only for Scrubtec R471

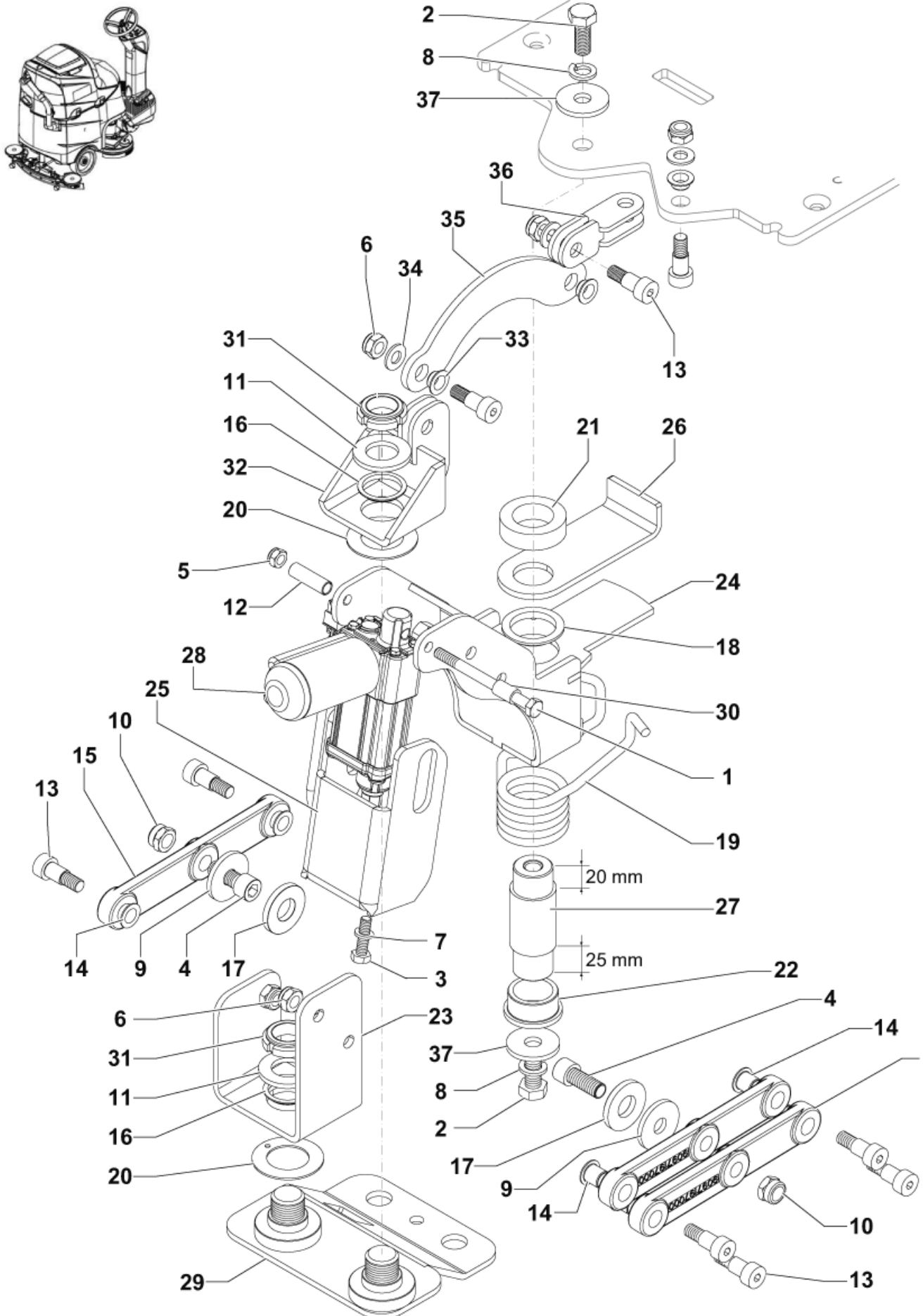
# MAGIC DECK ASSEMBLY CYL. BRUSH

SCRUBTEC R 466 / R 471 / R 417C / BOOST R4

20-11-2014

ET-Liste-Nr. R466270

29



# MAGIC DECK ASSEMBLY CYL. BRUSH

SCRUBTEC R 466 / R 471 / R 417C / BOOST R4

20-11-2014

ET-Liste-Nr. R466Z70

30

Pos	Artikelnr.	Me	Beschreibung
12	9097920000	1	SPACER D. 8.5X15X38
14	9097008000	6	BUSH FLANGED
15	9097197000	3	LEVER
16	9097812000	2	BUSH FLANGED D.30X32X37
17	9097824000	2	Buchse D.18.2X40
18	9097835000	1	BUSH FLANGED D.35X39X47
19	9097850000	1	Federdämpfer Schrubbdeck
20	9097854000	2	BUSH D.32X54
21	9098121000	1	SPACER D.31X50X14.5 NYLON
22	9098216000	1	BUSH FLANGED D.30X38X44
23	9098409000	1	BRACKET SUPPORT CYL.DECK
24	9098410000	1	SUPPORT JACK CYL.DECK
25	9098411000	1	BRACKET LOWER JACK MOTOR CYL.D
26	9098415000	1	PLATE SPRING SUPPORT
27	9098416000	1	PIN SUPPORT JACK MOTOR CYL.DEC
28	910000683	1	ACTUATOR LINEAR 24V DC STRK 46MM PKD
29	9098418000	1	BRACKET ROTATING SUPPORT CYL.D
30	145 2381 000	1	Lagerf utter
31	33005721	2	Ringmutter M25x1,5
32	9098420000	1	SUPPORT ROTATING CYL.DECK
33	146 0549 000	3	Flanschlager
35	9098419000	1	ARM SIDE CYLINDRICAL DECK
36	9098421000	1	ARTICULATED JOINT FOR CYL DECK
K1	9098733000	1	HARDWARE CYL.BRUSH DECK SUPPOR

Item 1-2-3-4-5-6-7-8-9-10-11-13-34-37

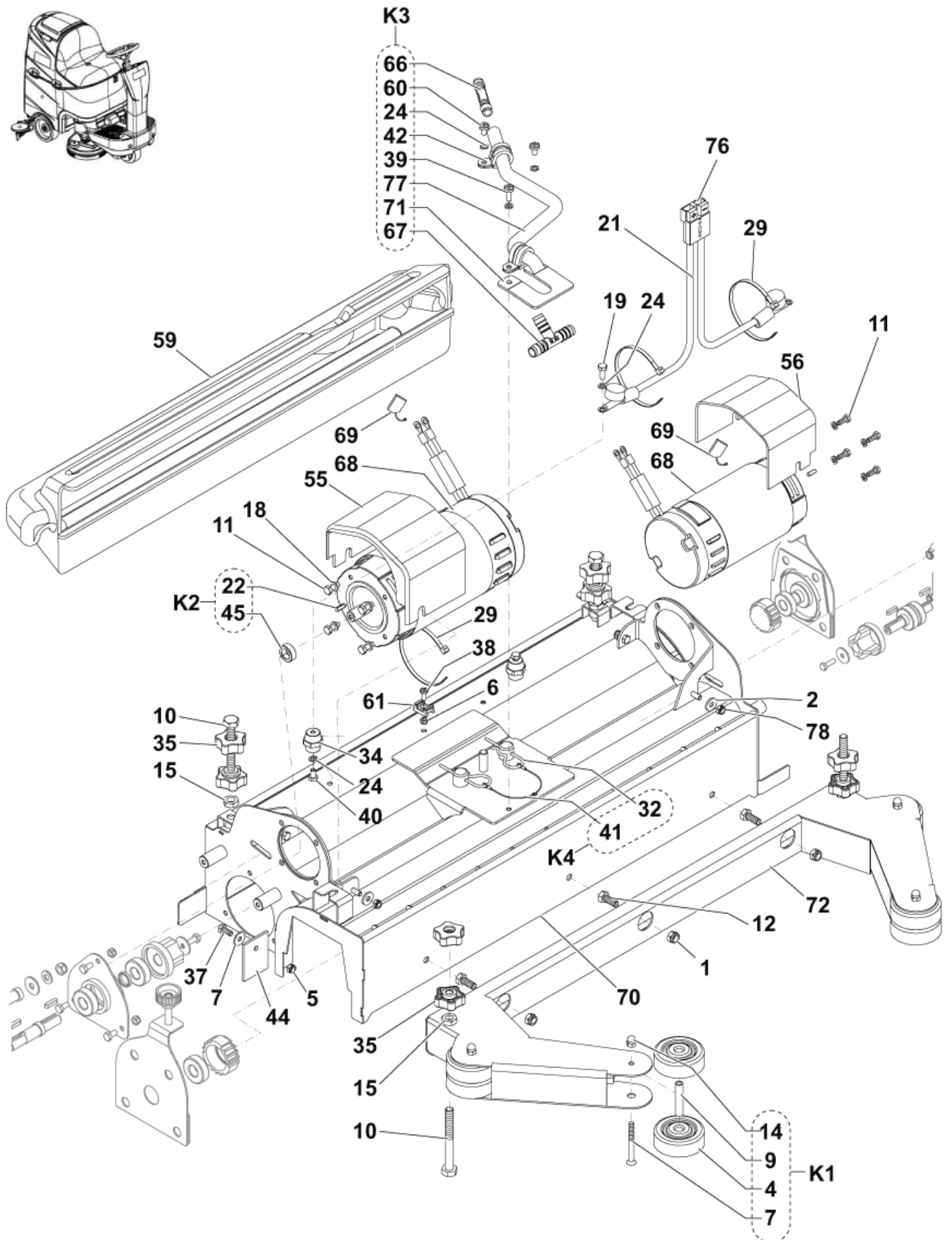
# CYLINDRICAL BRUSHES DECK 1

SCRUBTEC R 466 / R 471 / R 417C / BOOST R4

20-11-2014

ET-Liste-Nr. R466290

31



# CYLINDRICAL BRUSHES DECK 1

SCRUBTEC R 466 / R 471 / R 417C / BOOST R4

20-11-2014

ET-Liste-Nr. R466290

32

Pos	Artikelnr.	Me	Beschreibung	
16	9097960000	2	SKIRT SIDE CYL.DECK	
21	9098658000	1	HARNESS CYL.DECK	
23	56407551	2	Bürstenklaue zu BR 850/C	
26	145 0461 000	8	NUT WING M6	
30	145 2361 000	6	Kugellager 6202-2RS1	
34	146 0708 000	2	Isolator weiß	
35	146 1036 000	8	Stellknopf	
43	909 5728 000	2	HUB BRUSH	
44	909 5752 000	2	Deckgummi BA 750 SC	
48	909 5758 000	2	Ritzel	
49	909 5761 000	1	Keilriemen	
50	909 5762 000	2	ROLLER BELT TENSIONER	
51	909 5763 000	4	Lager	
55	909 5802 000	1	Motorabdeckung BR 751	
56	909 5803 000	1	Motorschutzgehäuse	
57	909 5964 000	2	Stellschraube	
59	909 6225 000	1	Grobschmutzbehälter BR751	
61	909 6595 000	1	Halter / Schelle	
62	909 6730 000	2	PULLEY POLY-V	
63	909 6731 000	1	Keilriemen	
64	909 6785 000	1	CRANKCASE.BELT PROTECTIONRIGHT	
65	909 6786 000	1	CRANKCASE.BELT PROTECTIONLEFT	
68	9099858000	2	MOTOR ELECTRIC 600W 24V KIT	
69	L08603949	2	Kohlebürste SET STÜCK	
70	9097847000	1	FRAME CYLINDRICAL DECK 750	
72	9097936000	1	PROTECTION CYL.BRUSH DECK 750	
73	9097952000	1	SUPPORT CYL.DECK LEFT SIDE SKIRT	
74	9097956000	1	SUPPORT CYL.DECK RIGHT SIDE SKIRT	
75	9097959000	2	PLATE SIDE SKIRT CYL.DECK	
76	9098761000	1	Stecker 50A ROT	
K1	9098736000	4	ROLLER BUMPER KIT	Item 4-7-9-14
K2	9098734000	2	BELT TRANSMISSION KIT	Item 3-5-13-17-22-25-27-28-30-31-33-36-43-45-46-47
K3	9098735000	1	PIPE WATER KIT	Item 20-39-42-60-66-67-71-77
K4	909 6354 000	1	Splint Set	Item 32-41
K5	9098737000	2	SUPPORT BRUSH KIT	Item 23-30-58
K6	9098738000	1	Befestigungskit	Item 1-2-6-8-10-11-12-15-18-19-24-29-37-38-40-78



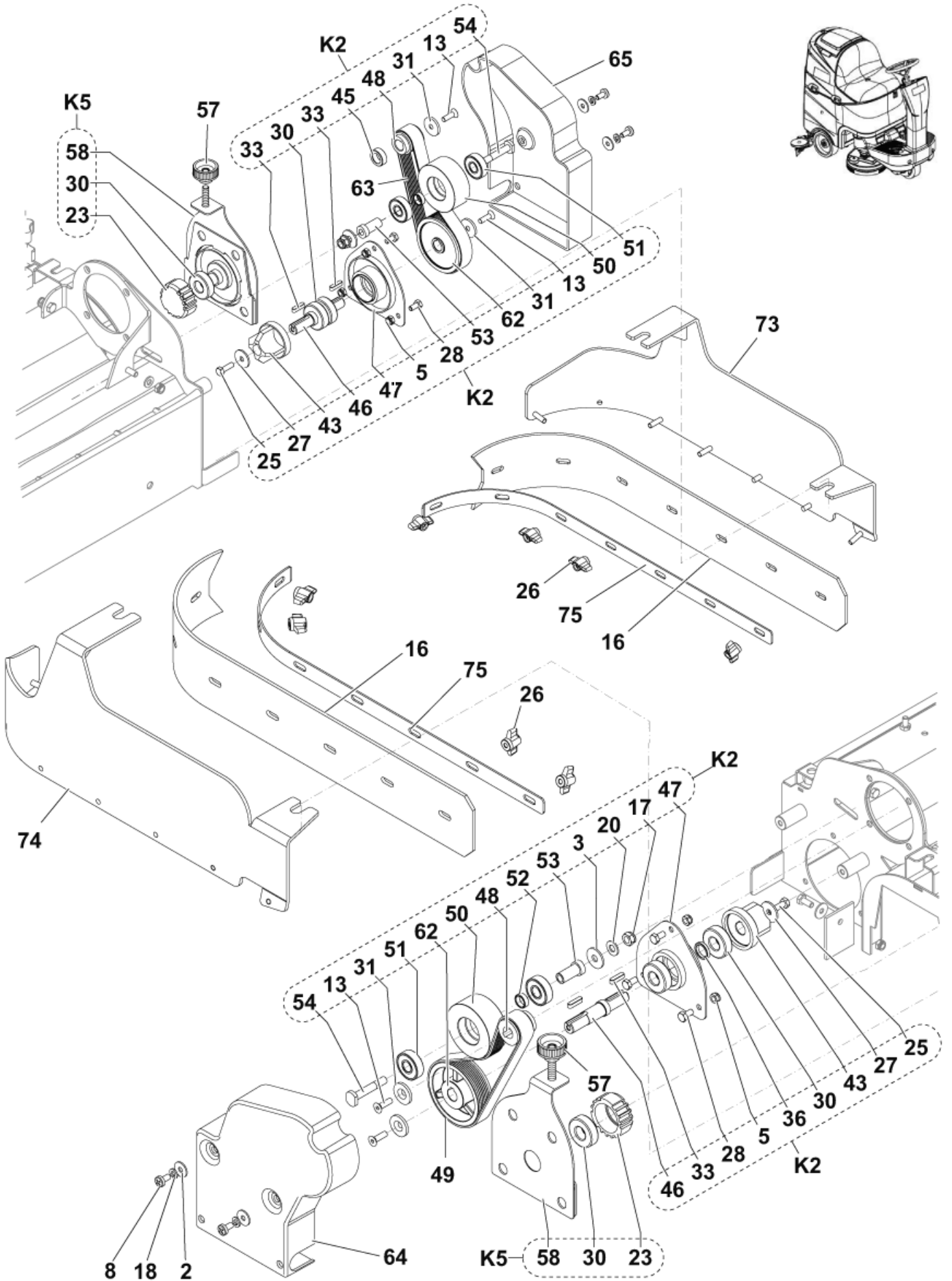
# CYLINDRICAL BRUSHES DECK 2

SCRUBTEC R 466 / R 471 / R 417C / BOOST R4

20-11-2014

ET-Liste-Nr.  
R466295

33



# CYLINDRICAL BRUSHES DECK 2

SCRUBTEC R 466 / R 471 / R 417C / BOOST R4

20-11-2014

ET-Liste-Nr. R466295

34

Pos	Artikelnr.	Me	Beschreibung	
16	9097960000	2	SKIRT SIDE CYL.DECK	
21	9098658000	1	HARNESS CYL.DECK	
23	56407551	2	Bürstenklaue zu BR 850/C	
26	145 0461 000	8	NUT WING M6	
30	145 2361 000	6	Kugellager 6202-2RS1	
34	146 0708 000	2	Isolator weiß	
35	146 1036 000	8	Stellknopf	
43	909 5728 000	2	HUB BRUSH	
44	909 5752 000	2	Deckgummi BA 750 SC	
48	909 5758 000	2	Ritzel	
49	909 5761 000	1	Keilriemen	
50	909 5762 000	2	ROLLER BELT TENSIONER	
51	909 5763 000	4	Lager	
55	909 5802 000	1	Motorabdeckung BR 751	
56	909 5803 000	1	Motorschutzgehäuse	
57	909 5964 000	2	Stellschraube	
59	909 6225 000	1	Grobschmutzbehälter BR751	
61	909 6595 000	1	Halter / Schelle	
62	909 6730 000	2	PULLEY POLY-V	
63	909 6731 000	1	Keilriemen	
64	909 6785 000	1	CRANKCASE.BELT PROTECTIONRIGHT	
65	909 6786 000	1	CRANKCASE.BELT PROTECTIONLEFT	
68	9099858000	2	MOTOR ELECTRIC 600W 24V KIT	
69	L08603949	2	Kohlebürste SET STÜCK	
70	9097847000	1	FRAME CYLINDRICAL DECK 750	
72	9097936000	1	PROTECTION CYL.BRUSH DECK 750	
73	9097952000	1	SUPPORT CYL.DECK LEFT SIDE SKIRT	
74	9097956000	1	SUPPORT CYL.DECK RIGHT SIDE SKIRT	
75	9097959000	2	PLATE SIDE SKIRT CYL.DECK	
76	9098761000	1	Stecker 50A ROT	
K1	9098736000	4	ROLLER BUMPER KIT	Item 4-7-9-14
K2	9098734000	2	BELT TRANSMISSION KIT	Item 3-5-13-17-22-25-27-28-30-31-33-36-43-45-46-47
K3	9098735000	1	PIPE WATER KIT	Item 20-39-42-60-66-67-71-77
K4	909 6354 000	1	Splint Set	Item 32-41
K5	9098737000	2	SUPPORT BRUSH KIT	Item 23-30-58
K6	9098738000	1	Befestigungskit	Item 1-2-6-8-10-11-12-15-18-19-24-29-37-38-40-78

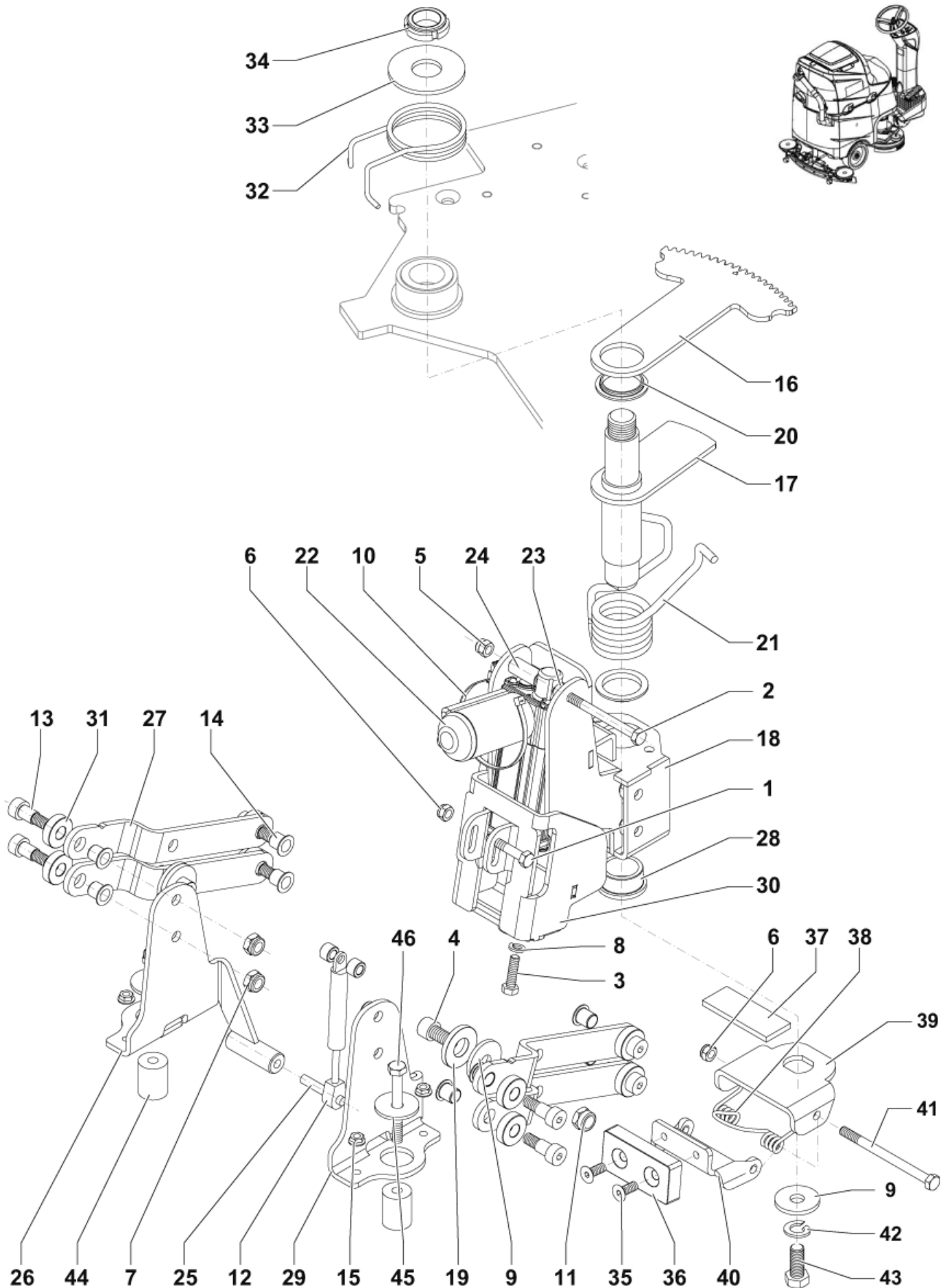
# MAGIC DECK ASSEMBLY BOOST BRUSH

SCRUBTEC R 466 / R 471 / R 417C / BOOST R4

20-11-2014

ET-Liste-Nr. R466310

35



# MAGIC DECK ASSEMBLY BOOST BRUSH

SCRUBTEC R 466 / R 471 / R 417C / BOOST R4

20-11-2014

ET-Liste-Nr. R466310

36

Pos	Artikelnr.	Me	Beschreibung	
12	909 5637 000	1	Feder	
16	9097810000	1	GEAR SLAVE	
17	9097811000	1	PIN DRIVEN CROWN	
18	9097822000	1	SUPPORT JACK	
21	9097850000	1	Federdämpfer Schrubbdeck	
22	9097852000	1	ACTUATOR 24V DC STROKE 66MM 16MM/S	
26	9098096000	1	PLATE LEFT BOOST DECK	
27	9098098000	4	ARM BOOST DECK	
29	9098228000	1	PLATE RIGHT BOOST DECK	
30	9098240000	1	BRACKET LOWER JACK MOTOR	
32	9097851000	1	Zentrierfeder	
36	9097813000	1	Führung	
39	9098195000	1	FLANGE UP DRAGGING	
40	9098196000	1	FLANGE DOWN DRAGGING	
44	9098178000	2	SPACER 10.5x20x32	
K1	9099172000	1	HARDWARE DECK SUPP. BOOST KIT	Item 1-2-3-4-5-6-7-8-9-10-11-13-14-15-19-20-23-24-

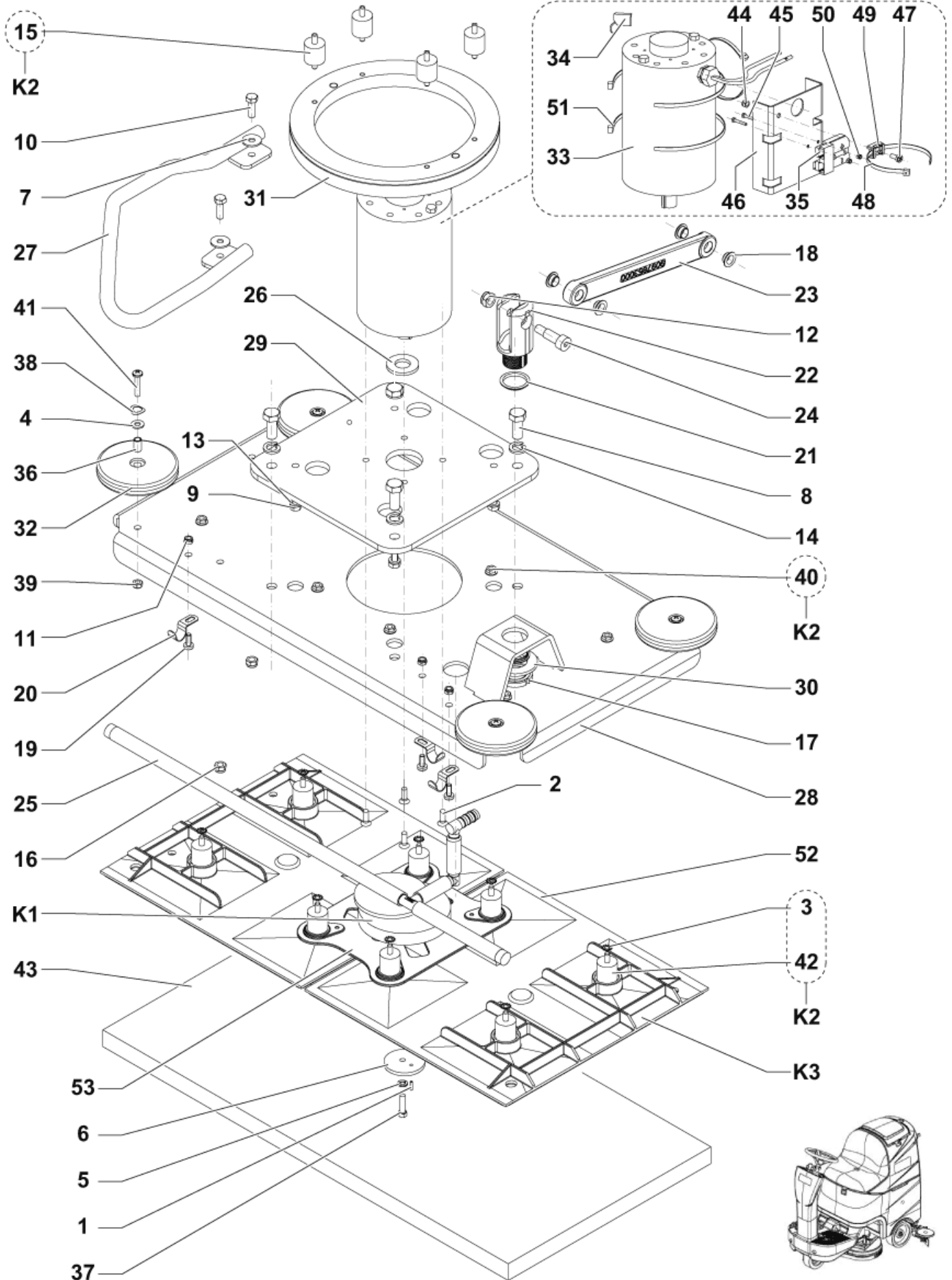
# BOOST BRUSH DECK

SCRUBTEC R 466 / R 471 / R 417C / BOOST R4

20-11-2014

ET-Liste-Nr. R466330

37



# BOOST BRUSH DECK

SCRUBTEC R 466 / R 471 / R 417C / BOOST R4

20-11-2014

ET-Liste-Nr. R466330

38

Pos	Artikelnr.	Me	Beschreibung	
22	9097839000	1	BRACKET TURNING	
23	9097853000	1	ARM SIDE	
25	9099308000	1	PIPE WATER BOOST DECK KIT	
27	9098243000	1	PROTECTION BRUSH DECK 750	
28	9098246000	1	PLATE SUPPORT BOOST DECK	
29	9098247000	1	SUPPORT BOOST DECK MOTOR	
31	9099411000	1	BEARINGS KIT	
32	30048A	4	Rolle ø100 x ø10-Nabe	schwarz K schwarz Ku
33	56390072	1	Motor 24V	
34	56412287	1	Kohlenbürstenset m. Federkompl. BA 755/8 kpl. f. 1 Motor	
35	9098761000	1	Stecker 50A ROT	
43	997001	1	PAD RED 14X28 5-PK 5er Pack	
46	9099119000	1	PLATE BOOST DECK HARNESS FIXING	
52	56383375	2	FLEX PLATE ASSY 28	
53	56381491	1	PLATE DRIVER	
K1	56380246	1	Exzenterscheibe	
K2	56380235	1	Isolator Kit	Item 3-15-40-42
K3	56380210	1	Flexplattensatz	Item K1-K2
K4	9099173000	1	HARDWARE BOOST DECK KIT	Item 1-2-4-5-6-7-8-9-10-11-12-13-14-16-17-18-19-20

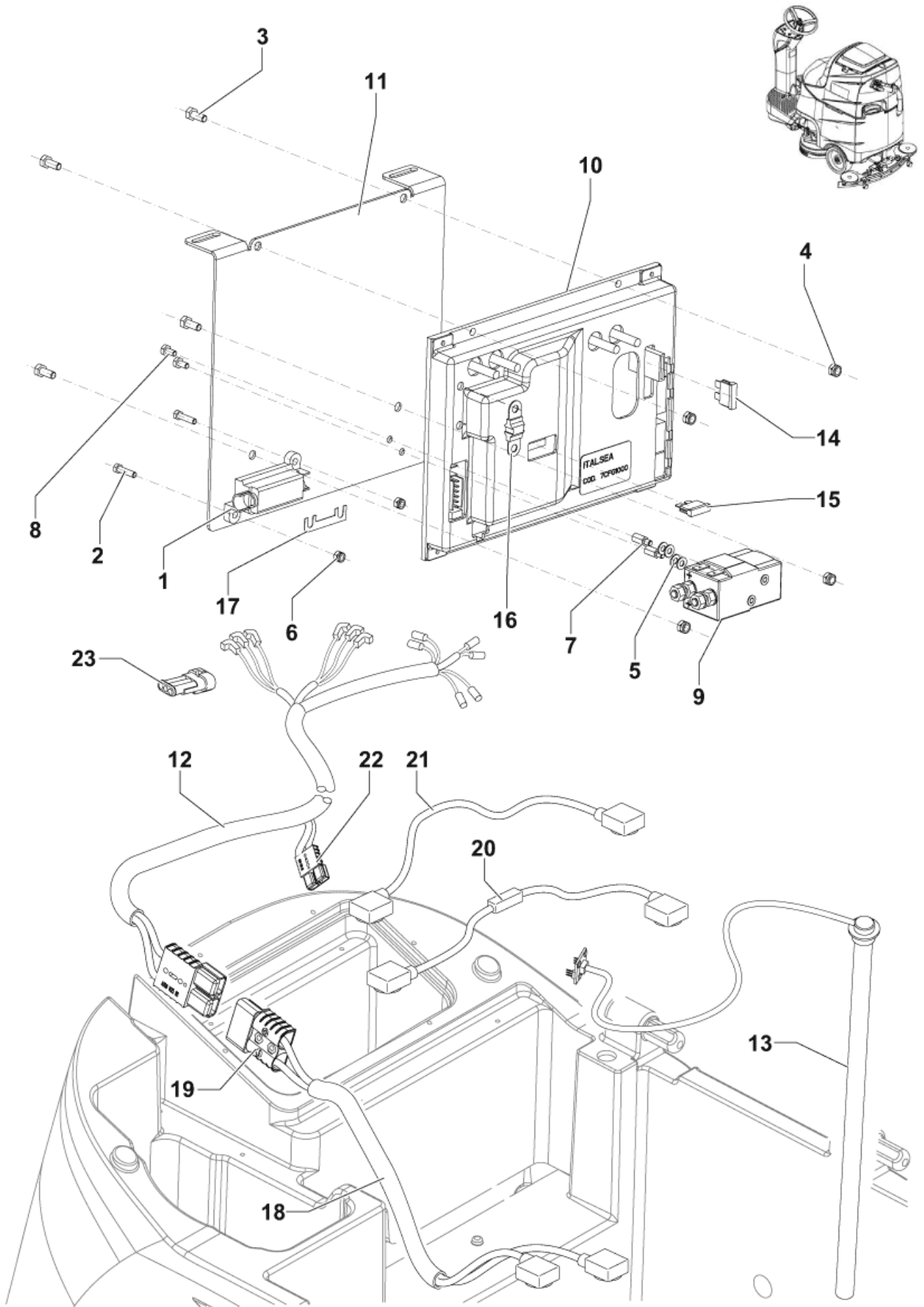
# Elektrokomponenten

SCRUBTEC R 466 / R 471 / R 417C / BOOST R4

20-11-2014

ET-Liste-Nr. R466350

39



# Elektrokomponenten

SCRUBTEC R 466 / R 471 / R 417C / BOOST R4

20-11-2014

ET-Liste-Nr. R466350

40

Pos	Artikelnr.	Me	Beschreibung
1	145 8046 000	1	HOLDER FUSE
9	9097208000	1	Relais
10	9100000024	1	CARD ELECTRONIC TRACTION KIT for machine with motorwheel 910000074
10	9100000183	1	CARD ELECTRONIC TRACTION/FUNCTIONS KIT for machine with motorwheel 9097834000
11	9097860000	1	PLATE FIXING ELECTRONIC CARD
12	9098190000	1	HARNESS EL.COMPON.BOX
12	9099681000	1	Kabelbaum
13	9098897000	1	Drucksensor KIT
14	145 8368 000	1	Sicherung 3A Bedienelement
15	145 9853 000	1	Sicherung 15A
16	9097830000	1	Sicherung 100A
17	145 9854 000	1	Sicherung 50A
18	9099694000	1	Kabelsatz Batterie
19	9098762000	1	Stecker 120A ROT
20	9098526000	1	Bastteriekabel
21	9097590000	1	Batterieverbindungskabel
22	9098761000	1	Stecker 50A ROT
23	9099203000	1	CONNECTOR 3 WAYS WITH BRIDGE
K1	9098739000	1	HARDWARE ELECTRIC COMPONENTS K

POSITIONS 12: 9098190000 before serial number 3510122204474 - SEE TSB IT 2012-087

POSITIONS 12: 9099681000 starting from serial number 3510122204474 - SEE TSB IT 2012-087



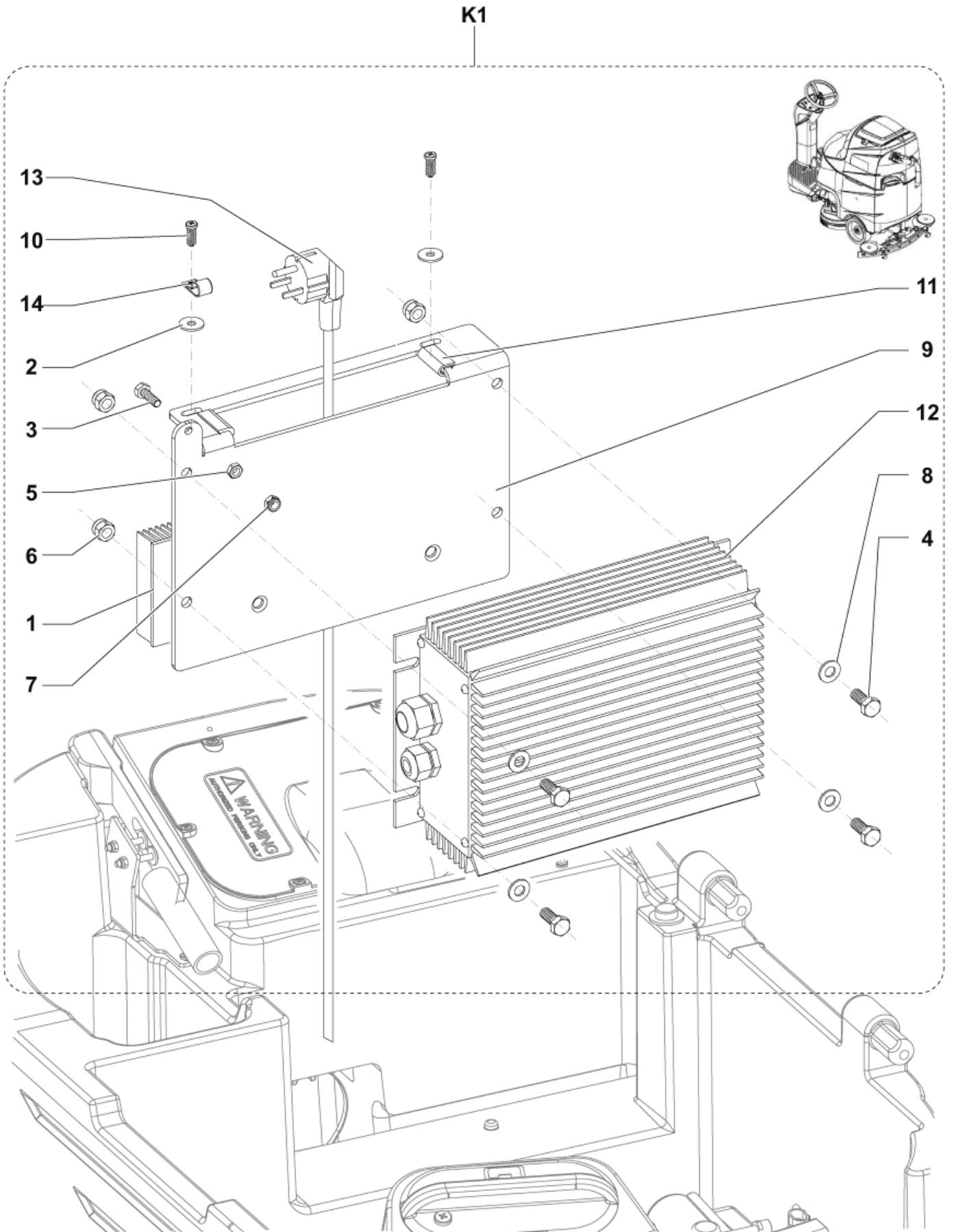
# Batterieladegerät

SCRUBTEC R 466 / R 471 / R 417C / BOOST R4

20-11-2014

ET-Liste-Nr. R466370

41



# Batterieladegerät

SCRUBTEC R 466 / R 471 / R 417C / BOOST R4

20-11-2014

ET-Liste-Nr. R466370

42

Pos	Artikelnr.	Me	Beschreibung
1	9098859000	1	HEATSINK
9	9097916000	1	PLATE BATTERY CHARGER
12	9099680000	1	BATTERY CHARGER 24V 20A SEE TSB IT 2012-088
13	909 5676 000	1	Kabel Ex. Plug
13	9098676000	1	Ladekabel mit Schuko
K1	9098198000	1	Einbauladegerät zu BR 652/752/752C

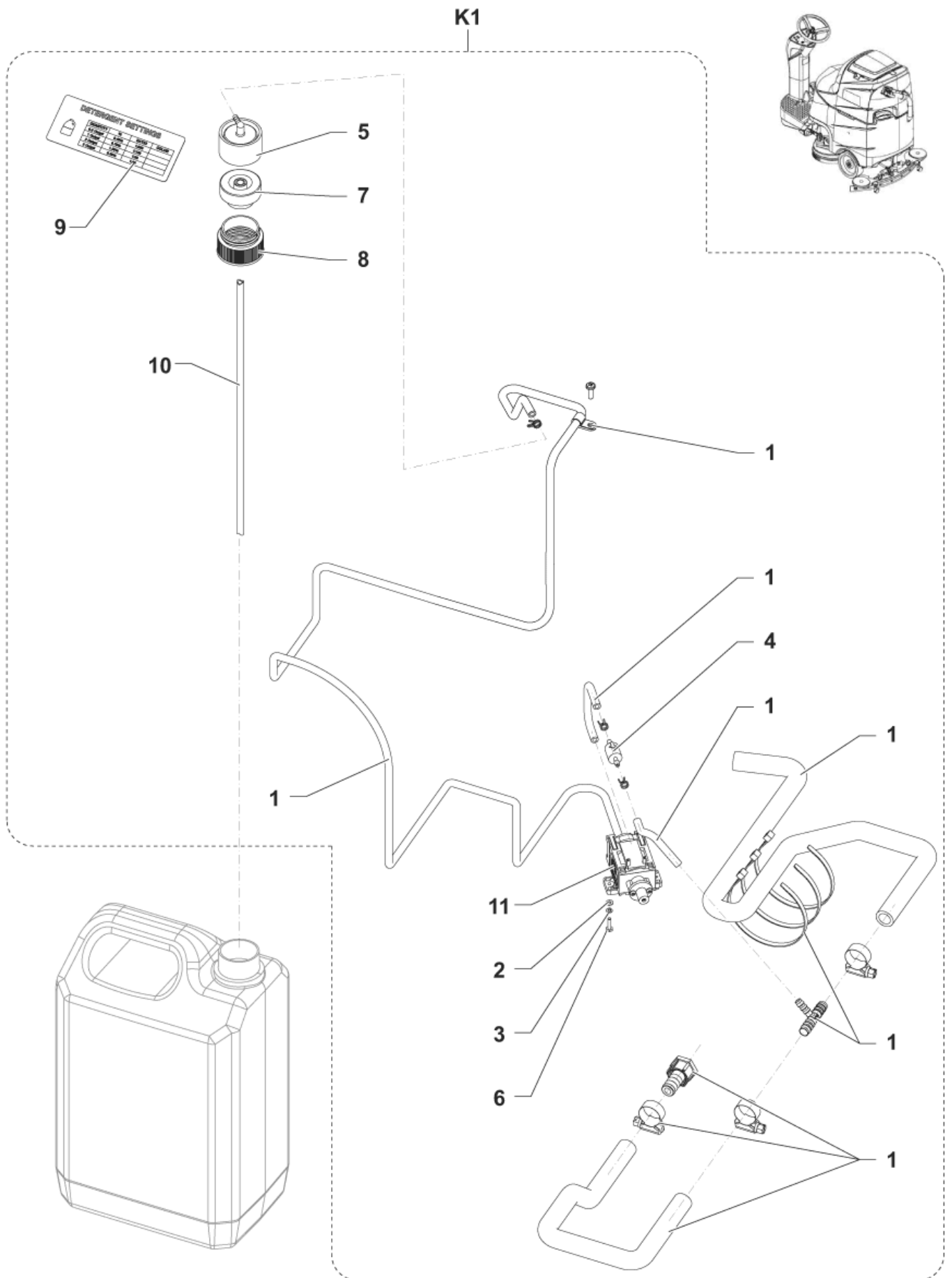
# Zubehör 1

SCRUBTEC R 466 / R 471 / R 417C / BOOST R4

20-11-2014

ET-Liste-Nr.  
R466390

43



# Zubehör 1

SCRUBTEC R 466 / R 471 / R 417C / BOOST R4

20-11-2014

ET-Liste-Nr. R466390

44

Pos	Artikelnr.	Me	Beschreibung	
1	9099948000	1	HOSES ECOFLEX SYSTEM KIT	
4	56315522	1	Rückschlagventil EDS	
11	909 6183 000	5	EDS Pumpe BA551D/ BA611D	
K1	9099069000	1	Reinigungsmittel- Mischsystem	Optional - Inst.Instr. 9099118000

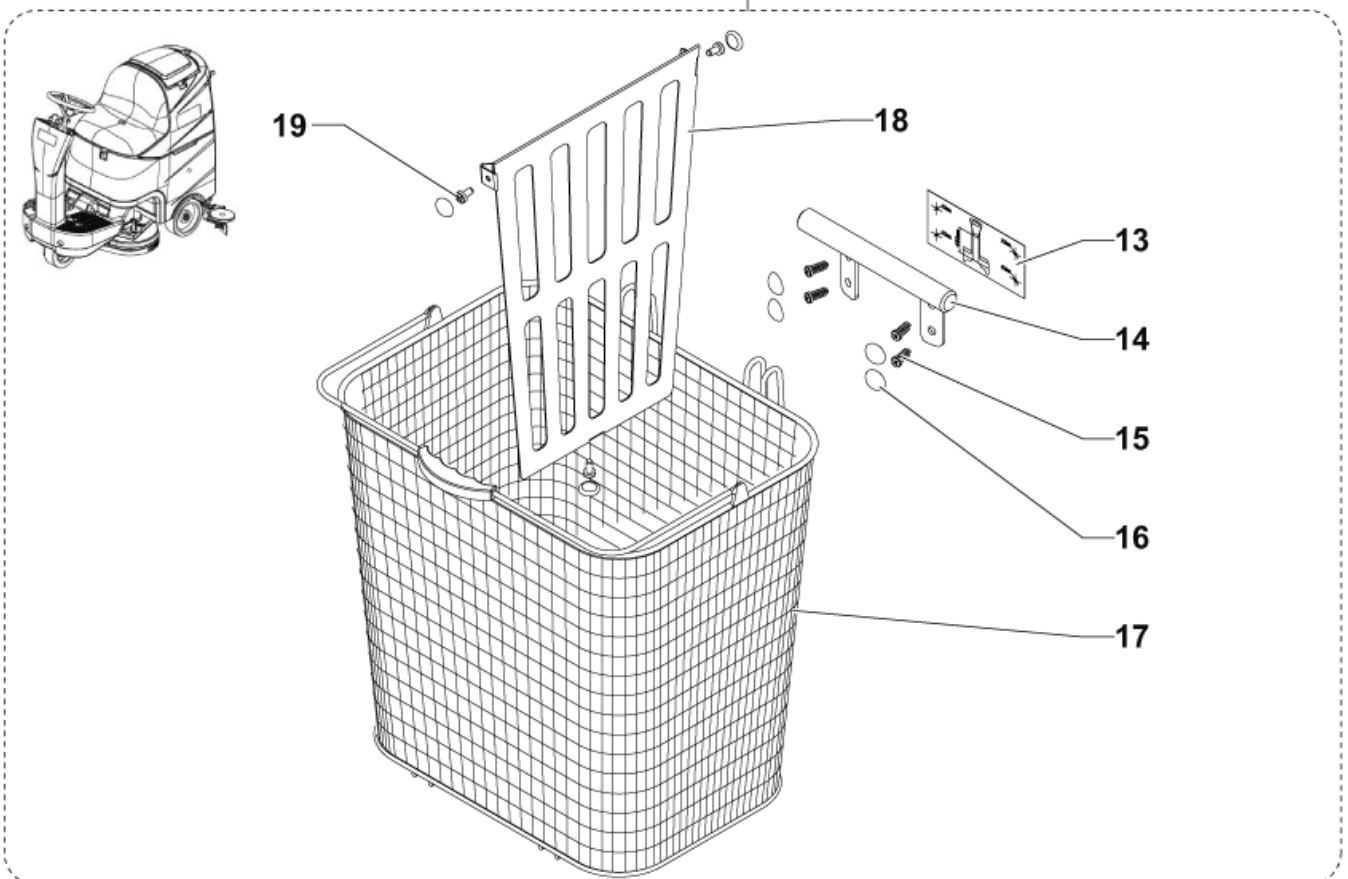
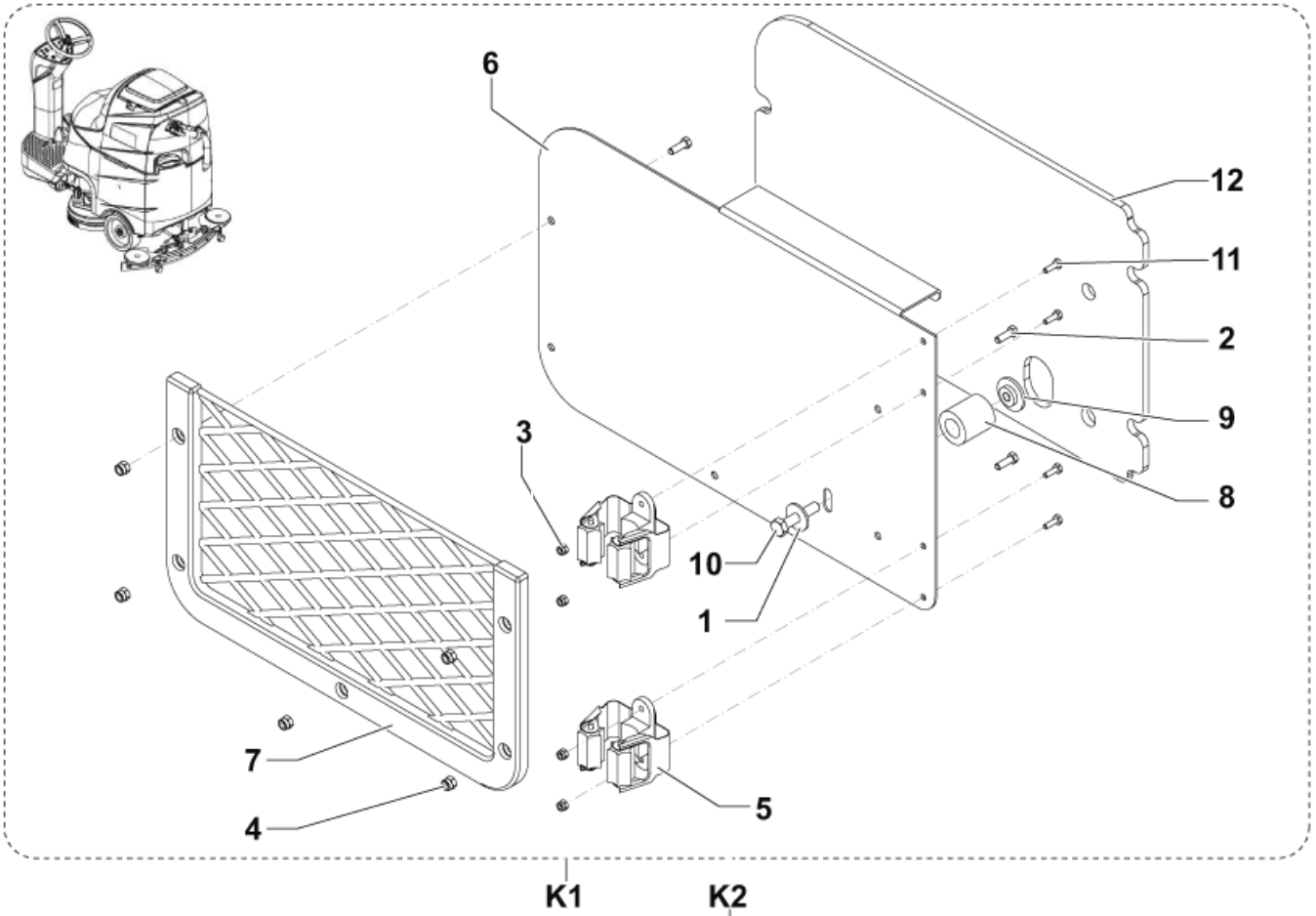
# Zubehör 2

SCRUBTEC R 466 / R 471 / R 417C / BOOST R4

20-11-2014

ET-Liste-Nr.  
R466410

45



# Zubehör 2

SCRUBTEC R 466 / R 471 / R 417C / BOOST R4

20-11-2014

ET-Liste-Nr. R466410

46

Pos	Artikelnr.	Me	Beschreibung	
5	33017513	2	Halteklammer	
7	9097947000	1	NET DOCUMENT HOLDER	
17	9098250000	1	BASKET	
K1	9097815000	1	Mop und Müll SET Kit	Optional
K2	9098480000	1	Ablagekorb Kit	Optional

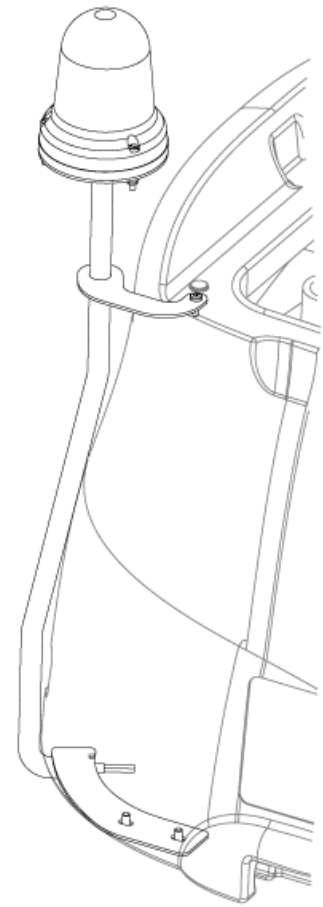
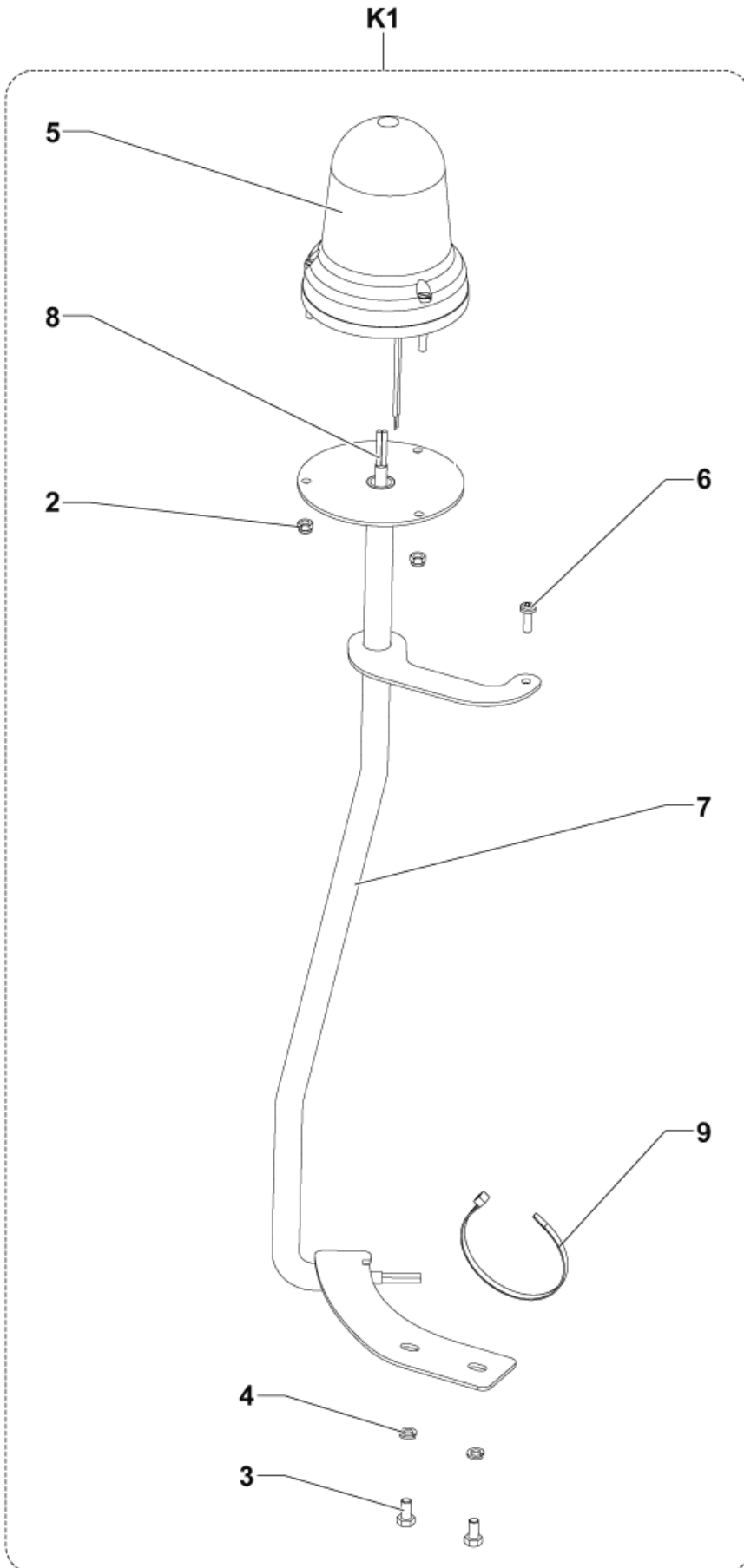
# Zubehör 3

SCRUBTEC R 466 / R 471 / R 417C / BOOST R4

20-11-2014

ET-Liste-Nr. R466430

47



# Zubehör 3

SCRUBTEC R 466 / R 471 / R 417C / BOOST R4

20-11-2014

ET-Liste-Nr. R466430

48

Pos	Artikelnr.	Me	Beschreibung
5	33023155	1	BEACON FLASHING PKD
K1	9098937000	1	Warnblinklicht Optional
K2	9098772000	1	Schalldämpfer Kit alarm Optional - Inst.Instr. 9098773000



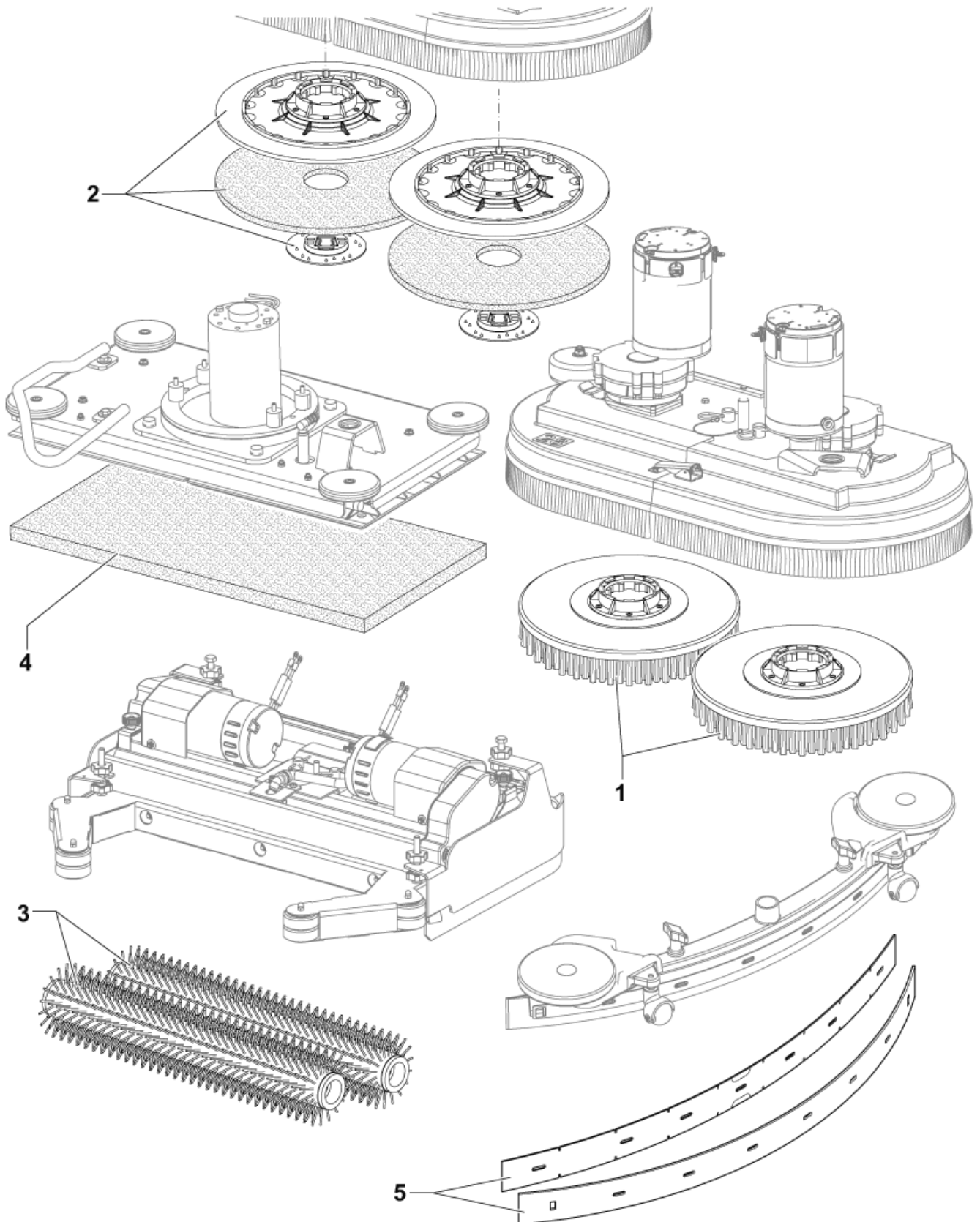
# Zubehör 4

SCRUBTEC R 466 / R 471 / R 417C / BOOST R4

20-11-2014

ET-Liste-Nr. R466450

49



# Zubehör 4

SCRUBTEC R 466 / R 471 / R 417C / BOOST R4

20-11-2014

ET-Liste-Nr. R466450

50

Pos	Artikelnr.	Me	Beschreibung	
1	10382A	2	Bürste 13" LITE GRIT Light Grit	Optional
1	10383A	2	nicht mehr lieferbar Schleif kombürste Ø355 mm	Optional
1	10874A	2	Bürste ø28" Nylon Nylon	Optional
1	11426B	2	Buerste, Schleif korn Supergrit 14" - E Super Grit	Optional
1	11427B	2	Buerste, Schrubb- Standard 14" - ENCOR PP	Optional
1	11431B	2	Buerste, Schleif korn- 14" - ENCORE Clean Grit	Optional
1	11437A	2	Buerste, Schrub- weich Nylon 13" ø330 Nylon	Optional
1	11438A	2	Bürste, Schrubb- Standard 13" - EncoreB PP	Optional
1	11439A	2	Buerste, Schleif korn- 13" ø330 Clean Grit	Optional
1	11440A	2	Buerste, Schleif korn Supergrit 13" ø33 Super Grit	Optional
1	303000381	2	Bürste 13" ø355 Schrubb 5K PA/S Ø 330 mm	Optional
1	303000382	2	Bürste 14" ø370 Schrubb 5K PA/S Ø 355 mm	Optional
2	10001910	2	Eco Pad 13, 330mm, schwarz 5er Pack	Optional
2	10001912	2	PAD 13 330MM ECO BROWN 5PCS 5er Pack	Optional
2	10001914	2	PAD 13 330MM ECO RED 5PCS 5er Pack	Optional
2	10001917	2	PAD 14 355MM ECO BLUE 5PCS 5er Pack	Optional
2	10001921	2	PAD 14 355MM ECO WHITE 5PCS 5er Pack	Optional
2	38035A	2	DRIVER PAD 13 GIMBAL	Optional
2	38036A	2	Treibteller 14"	Optional
2	976031	2	Pads 13" (ø330) 51 weiss VPE=5	Optional
2	976034	2	Pads 13" (ø330) 51 blau VPE=5	Optional
2	976038	2	Pads 14" (ø356) 51 rot VPE=5	Optional
2	976040	2	Pads 14" (ø356) 51 braun VPE=5	Optional
2	976146	2	Pads 14" (ø356) schwarz, dick VPE=5	Optional
3	30794A	1	2.seitiger Klettverschluss Klettverschluss	Optional
3	997000	1	Pad schwarz 14 x 28, 5er Pack	Optional
3	997002	1	PAD WHITE 14X28 5-PK 5er Pack	Optional
3	997006	1	PAD BLUE 14 X 28 5 PK 4er Pack	Optional
3	997016	1	PAD 14X28 3M HI PRO BOX 1 14" x 28",5er Pack	Optional
3	997018	1	PAD-MAROON-14X28-10/CS	Optional
4	56412046	2	BÜRSTE POLYPROPYLENE 28"-RED (Rot) 690 mm	Optional
4	56412191	2	BÜRSTE SOFT NYLON 28"-YELLOW- (Gelb) 690 mm	Optional
4	56412192	2	BÜRSTE HART NYLON 28"-NATURAL (Natural) 690 mm	Optional
4	56412193	2	BÜRSTE 180 GRIT 28"-BLUE/GREY 180 (Blau/grau) 690 mm	Optional
4	56412194	2	BÜRSTE 80 GRIT 28"-BLACK 80 (Schwarz) 690 mm	Optional
4	56412195	2	BÜRSTE 46 GRIT 28"-ORANG/BROWN 46 (Orange/Braun) 690 mm	Optional
5	9097804000	1	Gummilippen Kit 890mm/35	Optional

# EMPFOHLENE ERSATZTEILE

SCRUBTEC R 466 / R 471 / R 417C / BOOST R4

20-11-2014

ET-Liste-Nr. R466470

51

Keine Zeichnung zur ET-Liste

# EMPFOHLENE ERSATZTEILE

## SCRUBTEC R 466 / R 471 / R 417C / BOOST R4

20-11-2014

ET-Liste-Nr. R466470

52

Pos	Artikelnr.	Me	Beschreibung	
	145 0461 000	8	NUT WING M6	R 471C(EM)
	145 8368 000	1	Sicherung 3A Bedienelement	R 466 - R 471 - R 471C(EM)
	145 9853 000	1	Sicherung 15A	R 466 - R 471 - R 471C(EM)
	145 9854 000	1	Sicherung 50A	R 466 - R 471 - R 471C(EM)
	146 2887 000	1	KEY (2 PCS)	R 466 - R 471 - R 471C - BOOST R4(EM)
	146 2888 000	1	Schlüsselschalter Kappe	R 466 - R 471 - R 471C - BOOST R4(EM)
	30574A	1	Bürste HSG links ""SCRUBTEC" 28" ubtec" 28 "	R 471(WEAR PART)
0	30575A	1	Bürste HSG RT ""SCRUBTEC""	R 471(WEAR PART)
	30661A	1	Abdeckung links	R 466(WEAR PART)
	30662A	1	Abdeckung rechts	R 466(WEAR PART)
0	56380235	1	Isolator Kit	BOOST R4(OM)
0	56390072	1	Motor 24V	BOOST R4(EM)
	56412287	1	Kohlenbürstenset m. Federkompl. BA 755/8 kpl. f. 1 Motor	v)
	909 5380 000	2	Kohlebürste KIT	R 466 - R 471(OM)
	909 5761 000	1	Keilriemen	R 471C(OM)
	909 6242 000	1	Mikroschalter	R 466 - R 471 - R 471C - BOOST R4(EM)
	909 6380 000	1	Befestigungskit	R 466 - R 471 - R 471C - BOOST R4(EM)
	909 6394 000	1	LATCH SQUEEGEE KIT	R 466 - R 471 - R 471C - BOOST R4(EM)
	909 6555 000	1	SOLENOID VALVE 24V	R 466 - R 471 - R 471C - BOOST R4(EM)
	909 6731 000	1	Keilriemen	R 471C(OM)
	9097208000	1	Relais	R 466 - R 471 - R 471C(EM)
	9097796000	1	Lenksaule Höhereinstellung	R 466 - R 471 - R 471C - BOOST R4(EM)
	9097813000	1	Führung	R 466 - R 471(EM)
	9097827000	1	SUPPORT SQUEEGEE UPPER	R 466 - R 471 - R 471C - BOOST R4(EM)
	9097830000	1	Sicherung 100A	R 466 - R 471 - R 471C(EM)
	9097850000	1	Federdämpfer Schrubdeck	R 466 - R 471(EM)
	9097851000	1	Zentrierfeder	R 466 - R 471(EM)
	9097852000	1	ACTUATOR 24V DC STROKE 66MM 16MM/S	R 466 - R 471 - BOOST R4(EM)
	9097931000	2	ROD EYE M10	R 466 - R 471 - R 471C - BOOST R4(EM)
	9097932000	1	HARNESS FOOT BOARD FOR CYL.	R 471C(EM)
	9097934000	1	Gaspedal	R 466 - R 471 - R 471C - BOOST R4(EM)
	9097960000	2	SKIRT SIDE CYL.DECK	R 471C(WEAR PART)
	9098115000	1	Wasserfilter	R 466 - R 471 - R 471C - BOOST R4(OM)
	9098169000	1	HOSE SUCTION	R 466 - R 471 - R 471C - BOOST R4(OM)
	9098177000	1	Halteseil	R 466 - R 471 - R 471C - BOOST R4(EM)
	9098191000	1	HARNESS FOOT BOARD	R 466 - R 471 - BOOST R4(EM)
	9098224000	1	Adapter Frischwassertank Entleerung	R 466 - R 471 - R 471C - BOOST R4(EM)
	9098374000	1	Kabelbaum für Bürstendeck	R 466 - R 471(EM)
	9098380000	1	STRAP FRONT SQUEEGEE 35 INC Saugleiste vorne	466 - R 471 - R 471C - BOOST R4(EM)
	9098381000	1	STRAP SKIRT REAR RIGHT 35 INC. Saugleiste Aussen	- R 471 - R 471C - BOOST R4(EM)
	9098382000	1	Spannverschluss	R 466 - R 471 - R 471C - BOOST R4(EM)
	9098390000	1	SUPPORT SQUEEGEE DOWN	R 466 - R 471 - R 471C - BOOST R4(EM)
	9098407000	1	Antriebsrad	R 466 - R 471 - R 471C - BOOST R4(OM)

OM. : ordinary maintenance

EM.: extraordinary maintenance

# EMPFOHLENE ERSATZTEILE

## SCRUBTEC R 466 / R 471 / R 417C / BOOST R4

20-11-2014

ET-Liste-Nr. R466470

53

Pos	Artikelnr.	Me	Beschreibung	
	9098430000	1	Kabelbaum Kit Antriebsrad	R 466 - R 471 - R 471C - BOOST R4(EM)
	9098436000	2	HUB BRUSH	R 466 - R 471(EM)
	9098626000	1	Bremse, Elektromagnetisch	R 466 - R 471 - R 471C - BOOST R4(EM)
	9098627000	1	BRUSH CARBON KIT	R 466 - R 471 - R 471C - BOOST R4(OM)
	9098658000	1	HARNESS CYL.DECK	R 471C(EM)
	9098676000	1	Ladekabel mit Schuko	R 466 - R 471 - R 471C(EM)
	9098708000	1	SQUEEGEE LIFTING KIT für Saugleiste	R 466 - R 471 - R 471C - BOOST R4(EM)
	9098716000	1	BRUSH CARBON KIT 2PCS	R 466 - R 471 - R 471C - BOOST R4(WEAR PART)
	9098722000	1	CENTRING SQUEEGEE KIT Saugleiste	R 466 - R 471 - R 471C - BOOST R4(EM)
	9098734000	2	BELT TRANSMISSION KIT	R 471C(OM)
	9098737000	2	SUPPORT BRUSH KIT	R 471C(EM)
	9098762000	1	Stecker 120A ROT	R 466 - R 471 - R 471C(EM)
	9098781000	1	Aufkleber	R 466 - R 471 - R 471C - BOOST R4(EM)
	9098894000	1	HOSE DRAIN RAL 9005	R 466 - R 471 - R 471C - BOOST R4(OM)
	9098895000	1	GASKET COVER TANK L.1150 MM	R 466 - R 471 - R 471C - BOOST R4(OM)
	9098897000	1	Drucksensor KIT	R 466 - R 471 - R 471C(EM)
	9099163000	2	Lenkrolle D42	R 466 - R 471 - R 471C - BOOST R4(OM)
	9099167000	1	CAP SOLUTION TANK KIT	R 466 - R 471 - R 471C - BOOST R4(EM)
0	9099680000	1	BATTERY CHARGER 24V 20A	R 466 - R 471 - R 471C(EM)
	9099855000	1	BLADES PU 890MM/35 KIT	R 466 - R 471 - R 471C - BOOST R4(WEAR PART)
	9099858000	2	MOTOR ELECTRIC 600W 24V KIT	R 471C(EM)
	9099929000	1	Saugturbine 3ST 24V 420W 24V / 420W	R 466 - R 471 - R 471C - BOOST R4(EM)
	9100000076	1	MOTOR ELECTRIC 300W 24V	R 466 - R 471 - R 471C - BOOST R4(EM)
	9100000181	1	CARD ELECTRONIC FUNCTIONS KIT	R 466 - R 471 - R 471C - BOOST R4(EM)
	9100000183	1	CARD ELECTRONIC TRACTION/FUNCTIONS KIT	R 466 - R 471 - R 471C(EM)
	9100000309	2	REDUCTION GEARMOTOR 400W 24V KIT	R 466 - R 471(EM)
0	9100000309	1	REDUCTION GEARMOTOR 400W 24V KIT	to be order when 9097178000 is used up
	9100000682	1	ACTUATOR LINEAR 24V DC STRK 100MM PKD	R 466 - R 471 - R 471C - BOOST R4(EM)
	9100000683	1	ACTUATOR LINEAR 24V DC STRK 46MM PKD	R 471C(EM)
0	9100000772	2	WHEEL D.254 80SH GREY PKD	R 466 - R 471 - R 471C - BOOST R4(OM)
	L08603949	2	Kohlebürste SET STÜCK	R 471C(OM)

OM. : ordinary maintenance  
EM.: extraordinary maintenance