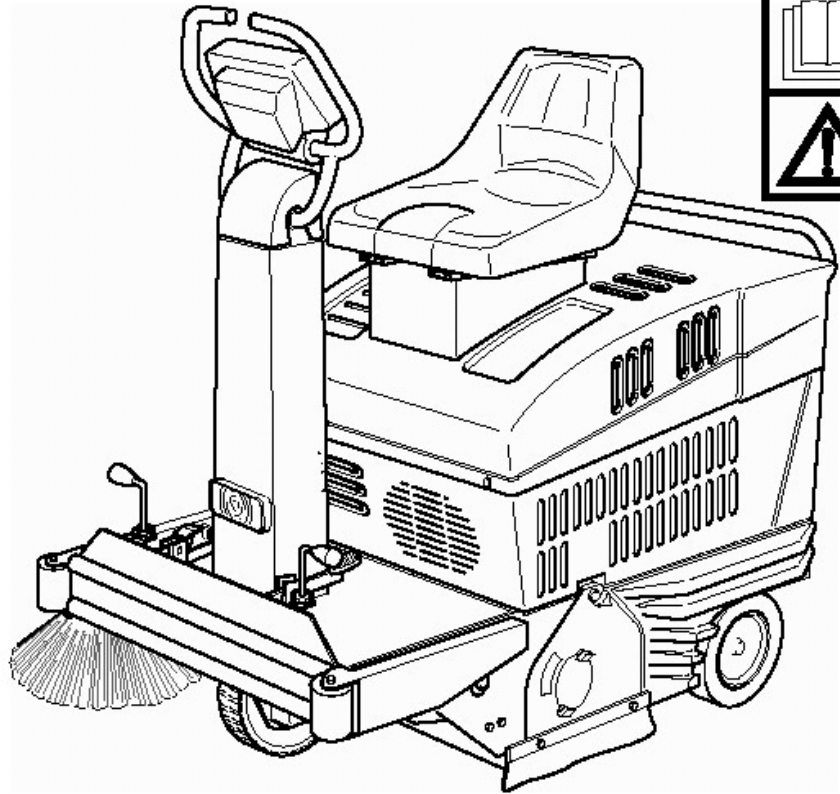


SR 1005 P

Model:
SR 1005 P
SR 1005 P w left
side brush



Part List US-English

06-04-2015

Table of Contents

SR 1005 P

DRAW.A FRAME ASSEMBLY	3
DRAW.C FILTER ASSEMBLY	6
DRAW.D HOPPER	8
DRAW.E SKIRT ASSEMBLY	10
DRAW.F MAIN BROOM ASSEMBLY	12
DRAW.G SIDE BROOM ASSEMBLY	14
DRAW.H DRIVE SYSTEM	16
DRAW.J ELECTRICAL SYSTEM	18
DRAW.L PETROL ENGINE ASSEMBLY	20
DRAW.M ACCESSORIES	22
DRAW.M ACCESSORIES	24
DRAW.M ACCESSORIES	26
DRAW.M ACCESSORIES	28
FILTERS	30
MAIN BROOMS	32
SIDE BROOMS	34
DRAW.K STEERING SYSTEM	36

DRAW.A FRAME ASSEMBLY

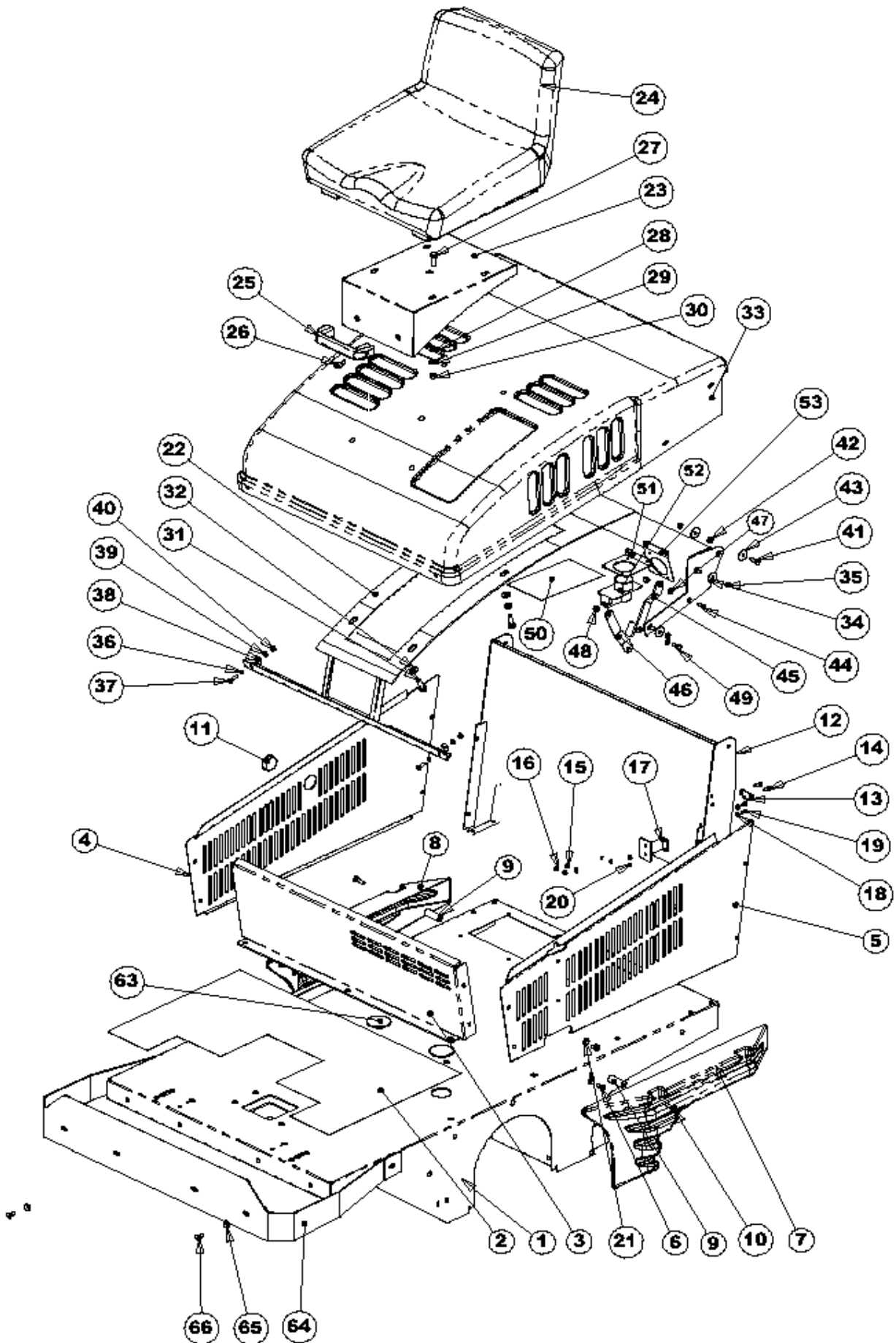
SR 1005 P

06-04-2015

Part List ID

F2911

3



DRAW.A FRAME ASSEMBLY

SR 1005 P

06-04-2015

Part List ID

F-2911

4

Pos	Part no.	Qty	Description
0	146 0407 000	1	VACUUM CLEANER ON BOARD
1	146 0185 000	1	FRAME
2	145 1254 000	1	MAT-BOARD
3	146 0200 000	1	COVER LOWER
4	146 0201 000	1	RIGHT SIDE COVER
5	146 0202 000	1	LEFT SIDE COVER
6	33004576	8	SCREW M6X16 C/SUNK FLAT HD HEX ISO10642
7	145 1243 000	1	WHEEL CASE-LEFT
8	145 1242 000	1	Wheel case-right
9	145 5031 000	2	SPACER 6.5X15X37
10	145 0568 000	4	SCREW M6X25 SS
11	145 9835 000	1	CAP D.38.1
12	146 0186 000	1	COVER REAR
13	145 9148 000	1	PLATE
14	33004562	2	SCREW M5X14 C/SUNK FLAT HD HEX ISO10642
15	33005912	2	WASHER M5 UNI6592
16	33005691	2	NUT HEX M5 UNI5588
17	146 0296 000	1	BATTERY CONNECTOR BRACKET
18	145 4514 000	2	WASHER 4.3X12.5X3
19	33004547	2	SCREW M4X12 C/SUNK FLAT HD HEX ISO10642
20	33005602	2	NUT SELF L. M4 UNI7473
21	145 1129 000	3	WASHER 6.4X16X13X4.5
22	146 0203 000	1	Support
23	145 1260 000	1	Support
24	145 1782 000	1	SEAT W/MICROSWITCH
25	145 9752 000	1	Handle
26	33004364	2	SCREW M8X16 CAP HD HEX SOCK ISO4762
27	33005445	4	SCREW M8X25 HEX HD F/THD ISO4017
28	33005842	4	WASHER M8 UNI1751B
29	33005915	4	WASHER M8 UNI6592
30	33005504	8	NUT HEX M8 UNI5588
31	33003996	4	SCREW M8X30 HEX HD F/THD ISO4017
32	145 9126 000	4	WASHER M8 UNI8842A
33	146 0210 000	1	BONNET WITH SEAT GREY
33	146 0240 000	1	Bonnet with seat grey
34	1466332000	1	WASHER 6X24X2 UNI6593 10 PCS SET
			set includes 10 pcs
35	33005604	6	NUT SELF L. M6 UNI7474
36	145 4514 000	2	WASHER 4.3X12.5X3
37	33004578	2	SCREW M6X20 C/SUNK FLAT HD HEX ISO10642
38	L08228600	2	WASHER PLAIN 6X18 ISO7093
39	33005865	2	WASHER M6 UNI8842A
40	33005502	2	NUT HEX M6 UNI5588

Note:

Pos No.0 means not show n

DRAW.A FRAME ASSEMBLY

SR 1005 P

06-04-2015

Part List ID

F-2911

5

Pos	Part no.	Qty	Description
41	33003975	2	SCREW M6X20 HEX HD F/THD ISO4017
42	145 2661 000	2	SPACER 6.5X12X5.5
43	1466332000	1	WASHER 6X24X2 UNI6593 10 PCS SET set includes 10 pcs
44	33003974	1	SCREW M6X16 HEX HD F/THD ISO4017
45	146 0204 000	1	BAR HALF SAFETY UPPER F BONNET SUPPORT
46	146 0205 000	1	Plate
47	33005913	4	WASHER M6 UNI6592
48	33005562	2	NUT SELF L. M6 UNI7473
49	33003974	1	SCREW M6X16 HEX HD F/THD ISO4017
50	145 6058 000	1	DECAL BATTERIES CONNECTION DIAGRAM
51	146 0294 000	1	BRACKET FOR MICROSWITCH
52	145 4820 000	1	MICROSWITCH 16A 250V
63	146 0392 000	2	CAP D.46
64	145 2965 000	1	MAUNTING BRACKET
65	145 1129 000	6	WASHER 6.4X16X13X4.5
66	33004576	6	SCREW M6X16 C/SUNK FLAT HD HEX ISO10642

Note:

Pos No.0 means not shown

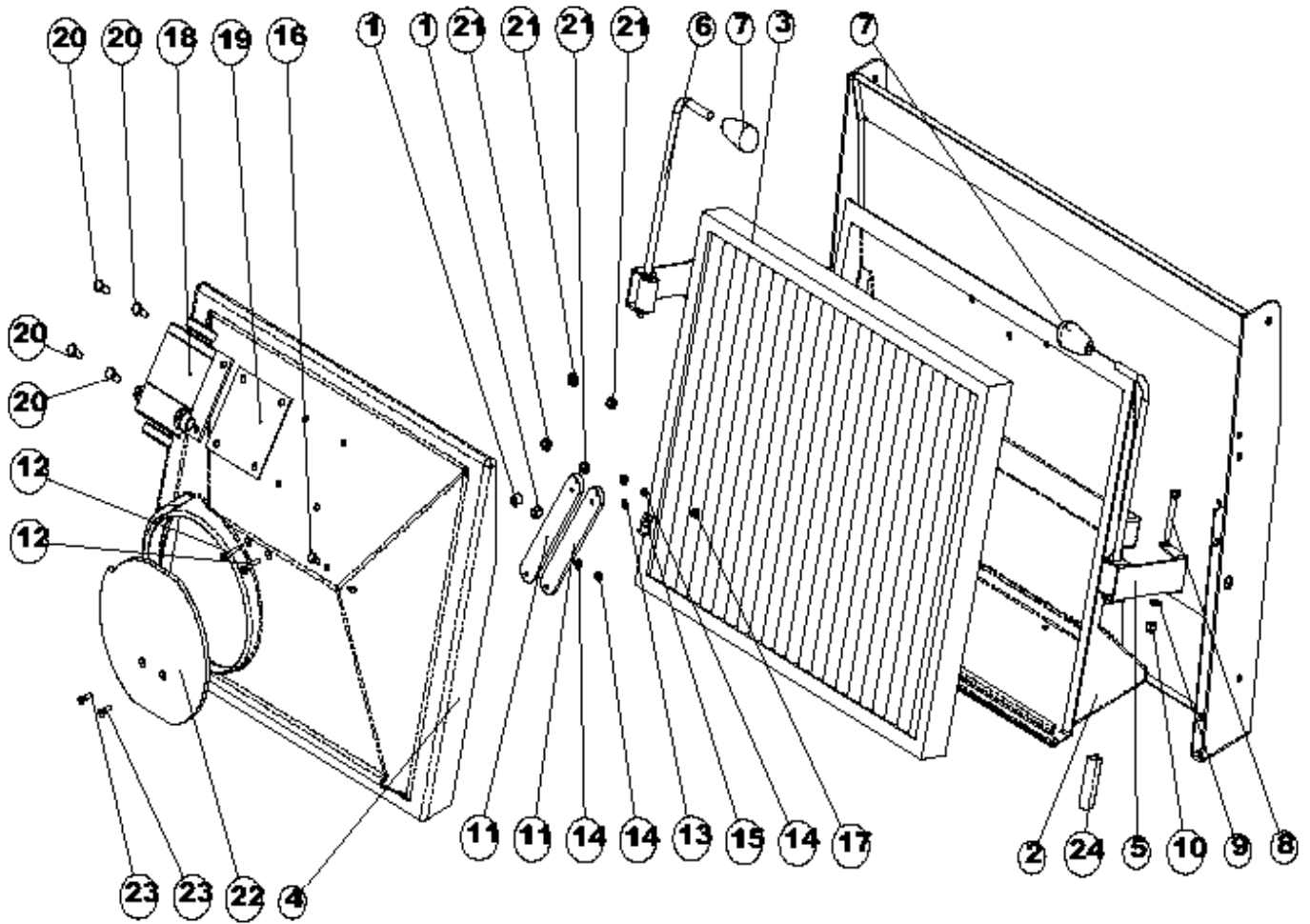
DRAW.C FILTER ASSEMBLY

SR 1005 P

06-04-2015

Part List ID F2915

6



DRAW.C FILTER ASSEMBLY

SR 1005 P

06-04-2015

Part List ID

F-2915

7

Pos	Part no.	Qty	Description
1	L08601854	2	SPACER 7X10X8
2	145 4644 000	1	HOLDER FILTER 5070
3	146 0188 000	1	FILTER PAPER
4	146 0187 000	1	COVER FILTER
5	146 0190 000	1	LEVER FILTER.LEFT SIDE
6	146 0189 000	1	LEVER FILTER.RIGHT SIDE
7	145 9319 000	2	KNOB M8
8	33003980	2	SCREW M6X45 HEX HD F/THD ISO4017
9	33005913	2	WASHER M6 UNI6592
10	33005562	2	NUT SELF L. M6 UNI7473
11	146 0191 000	2	LEVER
12	145 1247 000	2	SCREW M4X30 C/SUNK FLAT HEX SS ISO10642
13	33005911	2	WASHER M4 UNI6592
14	33005602	4	NUT SELF L. M4 UNI7473
15	145 9298 000	1	RETAINER
16	33003960	1	SCREW M5X12 HEX HD F/THD ISO4017
17	33005691	1	NUT HEX M5 UNI5588
18	145 8106 000	1	MOTOR FILTER SHAKER W30 24V
19	145 4818 000	4	PLATE FILTER SHAKER
20	33003960	4	SCREW M5X12 HEX HD F/THD ISO4017
21	33005604	1	NUT SELF L. M6 UNI7474
22	146 0192 000	2	HATCH
23	145 1339 000	2	SCREW M4X16 C/SUNK FLAT HEX SS ISO10642

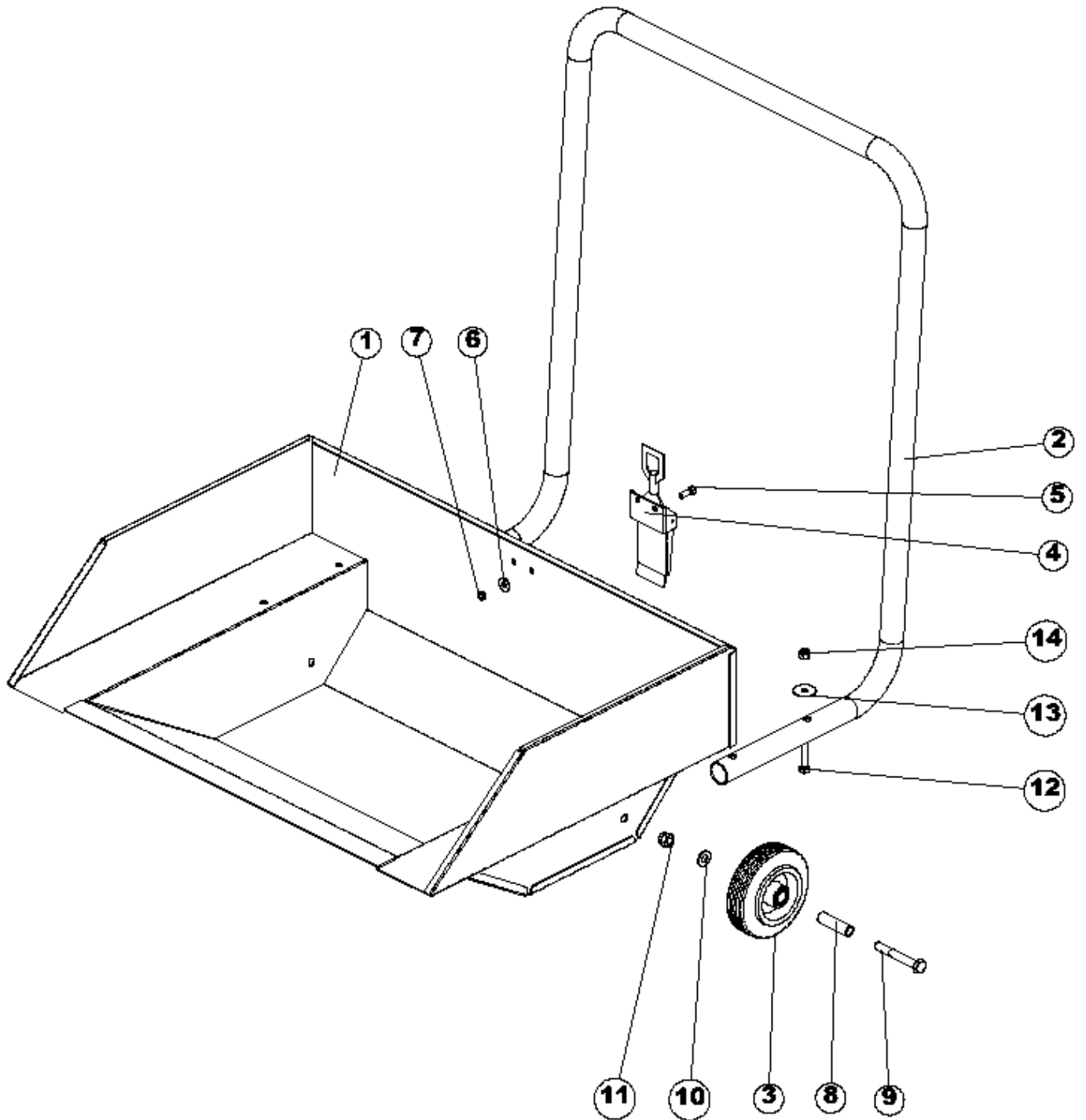
DRAW.D HOPPER

SR 1005 P

06-04-2015

Part List ID F2917

8



DRAW.D HOPPER

SR 1005 P

06-04-2015

Part List ID

F-2917

9

Pos	Part no.	Qty	Description	
1	145 0420 000	1	Dirt container	
2	145 3544 000	1	Handle bar	
3	145 9335 000	2	WHEEL	
4	145 9136 000	1	HOOK	
5	33003961	2	SCREW M5X14 HEX HD F/THD ISO4017	
6	145 1261 000	2	WASHER 5X15X1.5 UNI6593	
7	33005691	2	NUT HEX M5 UNI5588	
8	145 9310 000	2	SPACER	
9	33004002	2	SCREW M8X60 HEX HD F/THD ISO4017	
10	33005915	2	WASHER M8 UNI6592	
11	33005565	2	NUT SELF L. M8 UNI7473	
12	33003979	2	SCREW M6X40 HEX HD F/THD ISO4017	
13	1466332000	1	WASHER 6X24X2 UNI6593 10 PCS SET	set includes 10 pcs
14	33005562	2	NUT SELF L. M6 UNI7473	

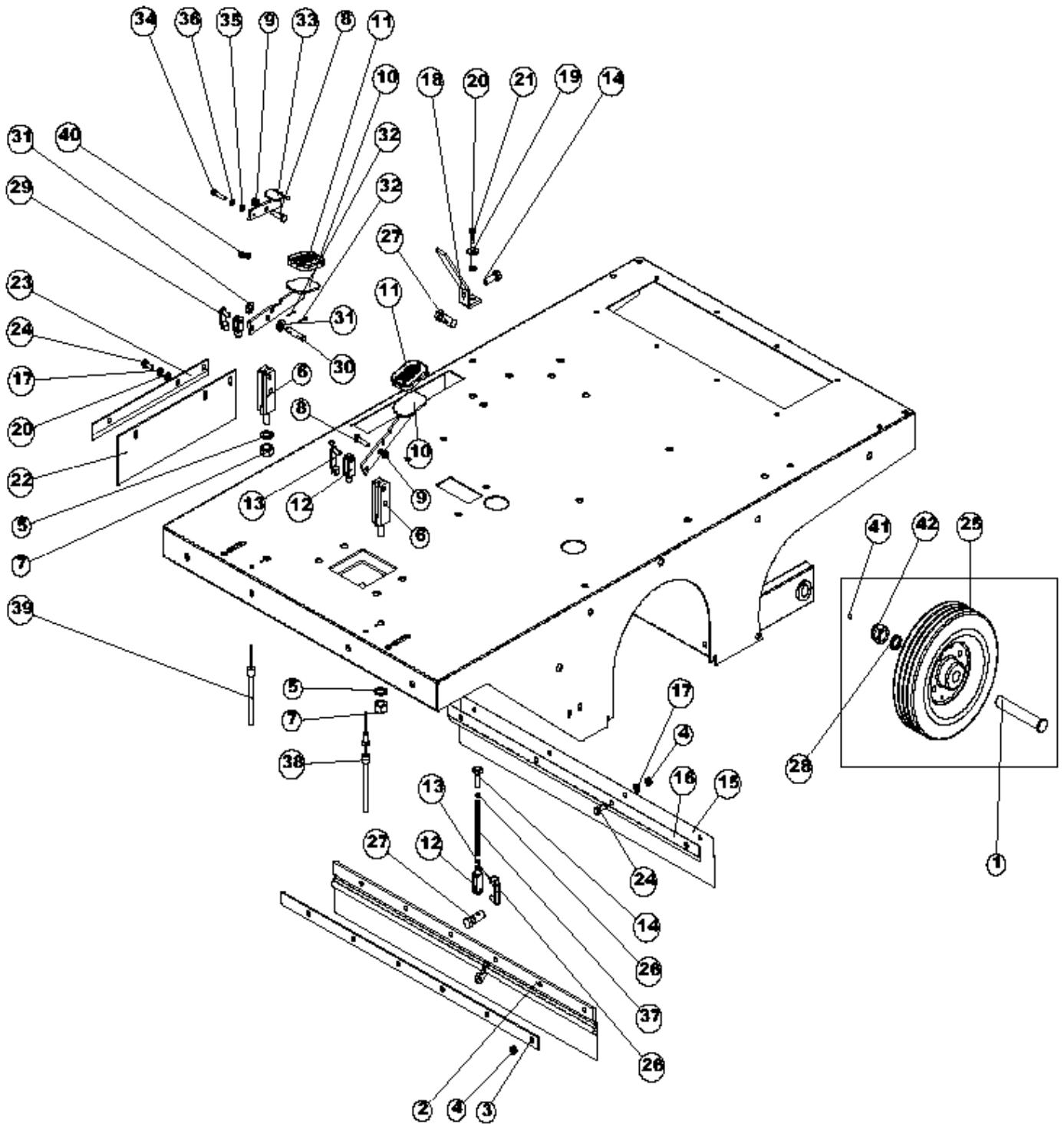
DRAW.E SKIRT ASSEMBLY

SR 1005 P

06-04-2015

Part List ID F2919

10



DRAW.E SKIRT ASSEMBLY

SR 1005 P

06-04-2015

Part List ID

F-2919

11

Pos	Part no.	Qty	Description
1	145 1191 000	2	WHEEL PIN
2	145 0214 000	1	RUBBER
3	145 3473 000	1	STRIP
4	33005604	6	NUT SELF L. M6 UNI7474
5	33006010	2	WASHER M12 UNI1751B
6	145 2540 000	2	SUPPORT PEDAL
7	33005506	2	NUT HEX M12 UNI5588
8	33003976	8	SCREW M6X25 HEX HD F/THD ISO4017
9	33005562	2	NUT SELF L. M6 UNI7473
10	145 3472 000	2	PEDAL
11	145 8478 000	2	COVER PEDAL
12	145 9409 000	2	FORK M6
13	145 9410 000	2	CIRCLIP M6
14	145 9283 000	2	ADJUSTER M8X35
15	145 1188 000	1	REAR FLAP
16	146 0344 000	1	PLATE
17	33005913	2	WASHER M6 UNI6592
18	145 1622 000	1	STOP BRACKET FOR BELT
19	L08228600	1	WASHER PLAIN 6X18 ISO7093
20	33005851	2	WASHER M6 UNI1751B
21	33003975	1	SCREW M6X20 HEX HD F/THD ISO4017
22	145 1212 000	1	right flap
23	145 1213 000	1	PLATE
24	33003974	2	SCREW M6X16 HEX HD F/THD ISO4017
25	145 1190 000	2	Wheel rear
26	33005911	2	WASHER M4 UNI6592
27	145 8110 000	2	CLAMP D.6
28	145 9263 000	2	SPACER 18X22X4
29	145 4536 000	1	CIRCLIP M6
30	145 2541 000	1	PIN PEDAL
31	33005915	2	WASHER M8 UNI6592
32	33005756	2	PIN SPLIT 2X25 UNI1336
34	33003964	1	SCREW M5X25 HEX HD F/THD ISO4017
35	33005691	1	NUT HEX M5 UNI5588
36	33005839	1	WASHER M5 UNI1751B
37	145 9395 000	1	SPRING
38	145 0267 000	1	CABLE. SKIRT LIFTING L 670
39	145 2761 000	1	CABLE. BRAKE
40	145 9290 000	2	SPRING
41	145 1193 000	2	BALL D. 5

DRAW.F MAIN BROOM ASSEMBLY

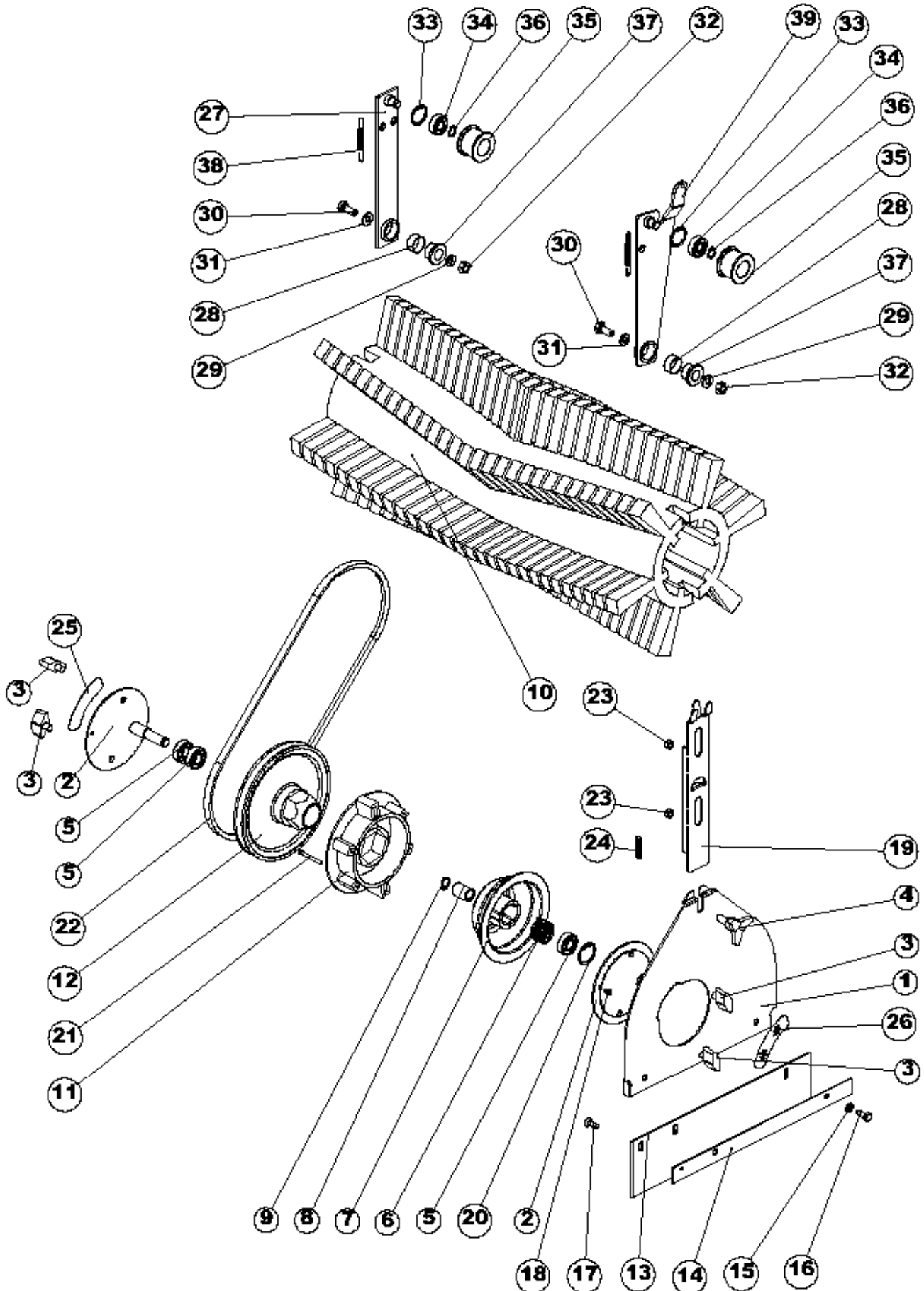
SR 1005 P

06-04-2015

Part List ID

F29111

12



DRAW.F MAIN BROOM ASSEMBLY

SR 1005 P

06-04-2015

Part List ID

F-29111

13

Pos	Part no.	Qty	Description
2	145 0272 000	2	PIN
3	145 1211 000	2	KNOB M 8x 12
4	145 2247 000	1	KNOB M 8X 20
5	145 0270 000	3	BEARING BALL 6001 2RS
6	145 0271 000	1	SPRING
7	145 0269 000	1	HUB LEFT MAIN BROOM
8	145 2663 000	1	SPACER 12X17X22.5
9	33006051	1	RING D 12 UNI7435
10	145 4845 000	1	BROOM MAIN 265X580 CHEVRON 6R PPL 0.7
11	145 5661 000	1	HUB
12	145 2617 000	1	PULLEY MAIN BROOM
13	145 1216 000	1	LEFT FLAP
14	145 1217 000	1	Plate
15	33005851	2	WASHER M6 UNI1751B
16	33003974	2	SCREW M6X16 HEX HD F/THD ISO4017
17	33004576	1	SCREW M6X16 C/SUNK FLAT HD HEX ISO10642
18	33004305	3	SCREW M4X6 CAP HD HEX SOCK ISO4762
19	145 1251 000	1	PLATE
20	33006158	1	RING D 28 UNI7437
21	145 1214 000	2	SCREW 3.9X38 SELF C/SUNK PHIL ISO7050
22	145 8019 000	1	BELT Z 36
23	145 1252 000	2	SPACER 6.5X10X5
24	145 8925 000	1	SPRING
25	146 0221 000	1	DECAL RT MAIN BROOM
26	146 0222 000	1	DECAL LT MAIN BROOM
27	145 1210 000	1	Lever
28	145 9405 000	2	BUSHING GLY 20X22X10
29	33005842	2	WASHER M8 UNI1751B
30	33005444	2	SCREW M8X20 HEX HD F/THD ISO4017
31	33005915	2	WASHER M8 UNI6592
32	33005504	2	NUT HEX M8 UNI5588
33	33006156	2	RING D 26 UNI7437
34	145 9186 000	2	BEARING BALL 6000 2RS
35	145 1209 000	2	ROLLER
36	145 9254 000	2	WASHER M5 UNI8842A
37	145 9156 000	2	BUSH
38	145 0274 000	2	SPRING

DRAW.G SIDE BROOM ASSEMBLY

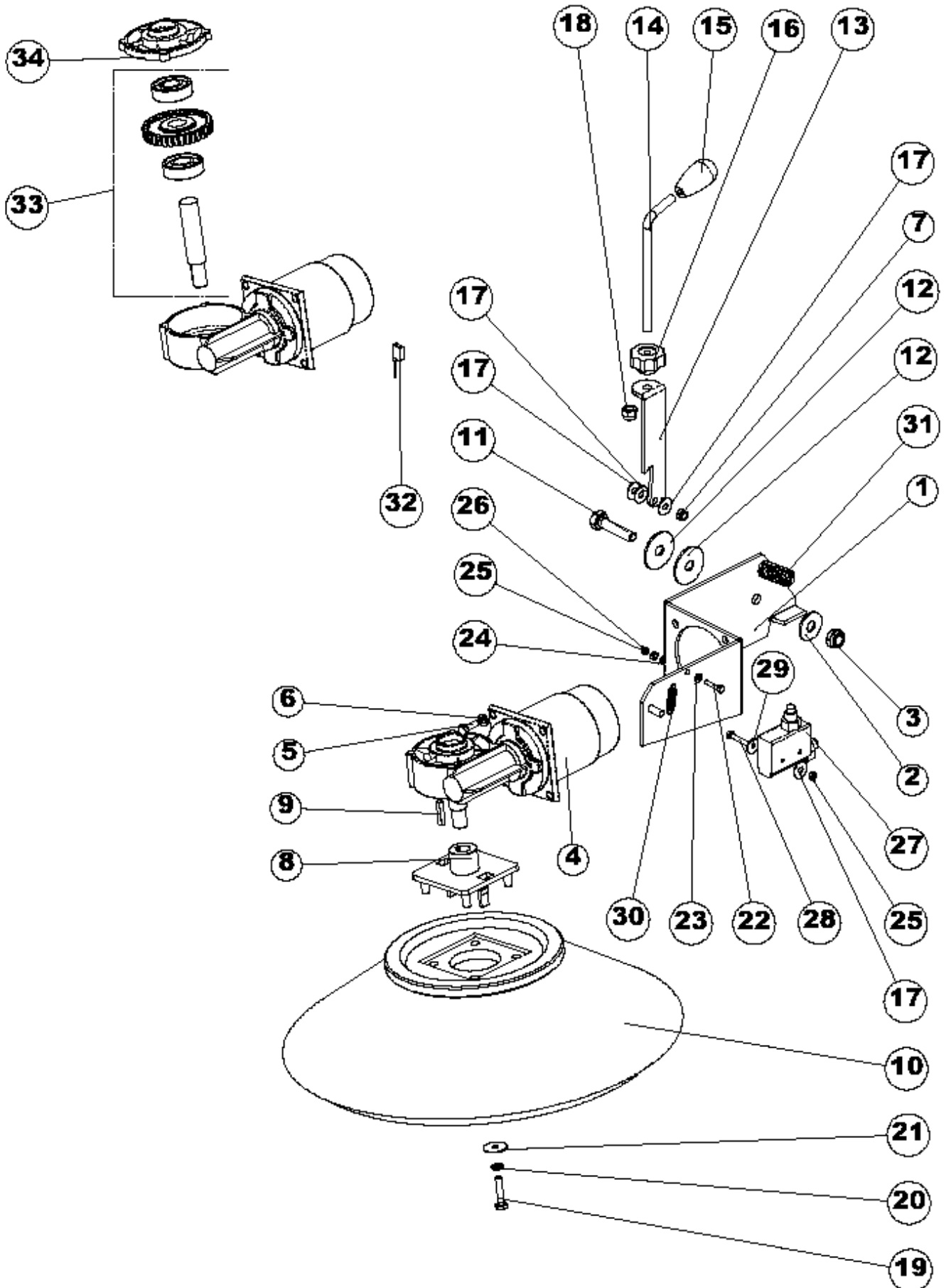
SR 1005 P

06-04-2015

Part List ID

F29113

14



DRAW.G SIDE BROOM ASSEMBLY

SR 1005 P

06-04-2015

Part List ID

F-29113

15

Pos	Part no.	Qty	Description
1	145 1204 000	1	RIGHT GEARED MOTOR SUPPOR
2	L08604251	1	WASHER 10X30 UNI6592
3	33005566	1	NUT SELF L. M10 UNI7473
4	145 0275 000	1	GEARED MOTOR 60W 24V
5	33003975	4	SCREW M6X20 HEX HD F/THD ISO4017
6	33005913	4	WASHER M6 UNI6592
7	33005604	1	NUT SELF L. M6 UNI7474
8	146 0402 000	1	FLANGE BROOM HOLDING
9	1466146000	1	KEY 5X5X25 UNI6604A PKD
10	145 1899 000	1	BROOM SIDE 180X400 PPL 0.7
11	33004013	1	SCREW M10X45 HEX HD F/THD ISO4017
12	145 1208 000	2	WASHER 10X40X2.5 UNI6593
13	145 5076 000	1	LEVER SIDE BRUSH RIGHT
14	145 2573 000	1	TIE-ROD F SIDE BROOM LIFTING
15	145 9319 000	1	KNOB M8
16	145 8484 000	1	KNOB
17	L08228600	4	WASHER PLAIN 6X18 ISO7093
18	33005604	1	NUT SELF L. M6 UNI7474
19	145 8290 000	1	SCREW M6X20 SX TE T/FIL SS ISO4017
20	33005851	1	WASHER M6 UNI1751B
21	1466332000	1	WASHER 6X24X2 UNI6593 10 PCS SET SET INCLUDES 10 PCS
22	145 1203 000	1	SCREW M4X20 HEX HD F/THD SS ISO4017
23	33005911	1	WASHER M4 UNI6592
24	33005862	1	WASHER M4 UNI8842A
25	33005500	2	NUT HEX M4 UNI5588
26	33005602	2	NUT SELF L. M4 UNI7473
27	145 8854 000	1	MICROSWITCH
28	33003953	2	SCREW M4X30 HEX HD F/THD ISO4017
29	145 4508 000	2	WASHER 4X16X1.5 UNI6593
30	145 9290 000	1	SPRING
31	145 0276 000	1	SPRING L35
32	145 2224 000	2	CARBON BRUSH

POSITION 33 NOT AVAILABLE
POSITION 34 NOT AVAILABLE

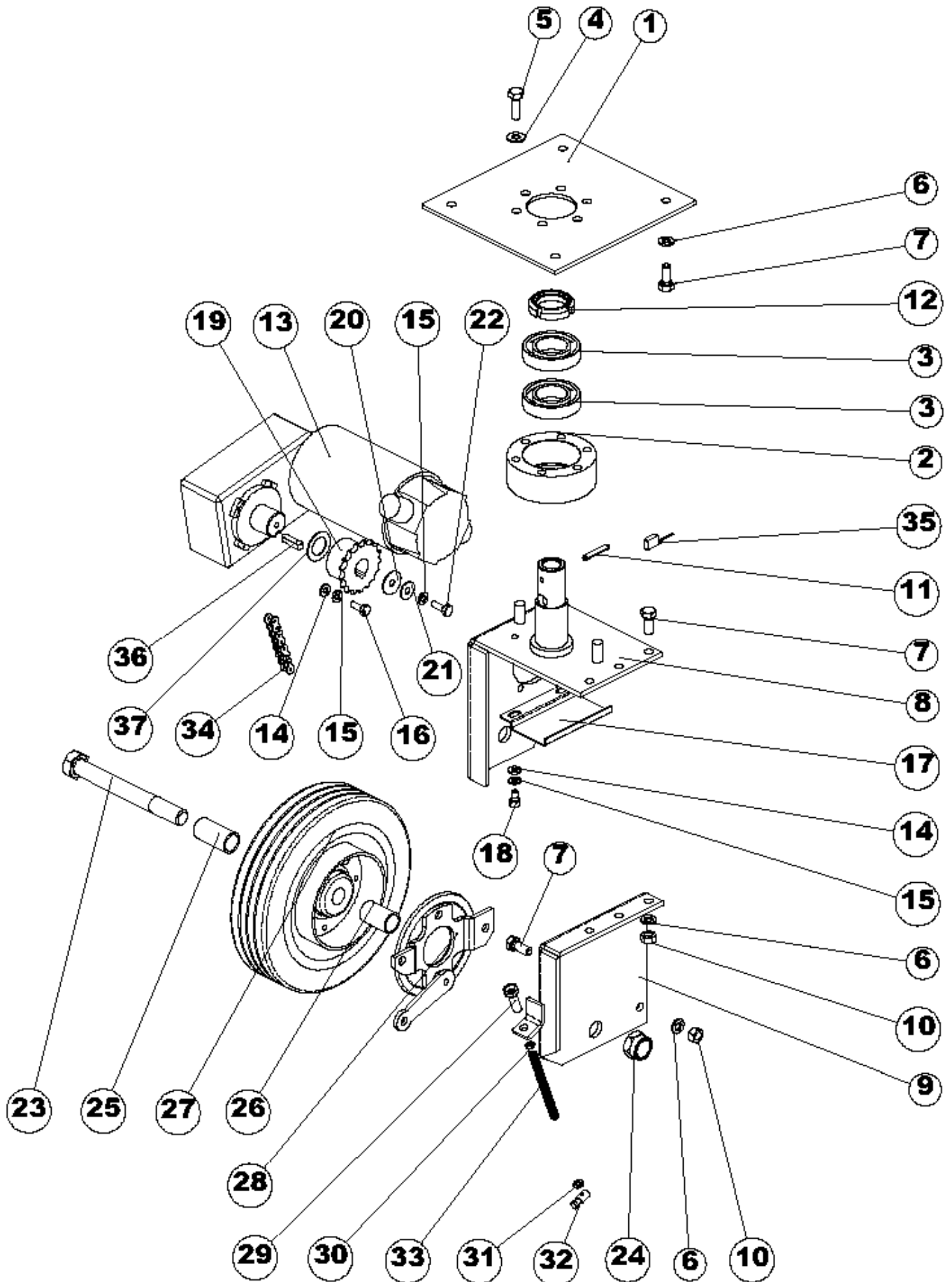
DRAW.H DRIVE SYSTEM

SR 1005 P

06-04-2015

Part List ID
F29115

16



DRAW.H DRIVE SYSTEM

SR 1005 P

06-04-2015

Part List ID

F-29115

17

Pos	Part no.	Qty	Description	
1	145 3476 000	1	PLATE	
2	145 2568 000	1	FLANGE	
3	145 0225 000	2	BEARING BALL 6006 2RS1	
4	33005915	6	WASHER M8 UNI6592	
5	33005445	6	SCREW M8X25 HEX HD F/THD ISO4017	
6	33005842	4	WASHER M8 UNI1751B	
7	33005444	4	SCREW M8X20 HEX HD F/THD ISO4017	
8	146 0219 000	1	STEERING WHEEL SUPPORT	
9	146 0220 000	1	SUPPORT FRONT WHEEL	
10	33005504	2	NUT HEX M8 UNI5588	
11	145 4546 000	1	PIN 5X30 UNI6873	
12	145 4519 000	1	NUT RING M30X1.5 KMA6 LIGHT SERIES	
13	145 0219 000	1	GEARED MOTOR 200 W 24V	
14	33005913	4	WASHER M6 UNI6592	
15	33005851	4	WASHER M6 UNI1751B	
16	33003974	4	SCREW M6X16 HEX HD F/THD ISO4017	
17	145 3475 000	1	SHEET METAL	
18	33004342	2	SCREW M6X10 CAP HD HEX SOCK ISO4762	
19	145 0221 000	1	PINION Z17 3/8 7/32	
20	1466332000	1	WASHER 6X24X2 UNI6593 10 PCS SET	set includes 10 pcs
21	L08228600	1	WASHER PLAIN 6X18 ISO7093	
22	33003975	1	SCREW M6X20 HEX HD F/THD ISO4017	
23	145 2576 000	1	PIN	
24	33005618	1	NUT SELF L. M18 UNI7474	
25	145 2575 000	1	SPACER 17X41	
26	145 2574 000	1	SPACER 17X33	
27	1463184000	1	WHEEL FRONT	
28	145 8066 000	1	BRAKE FRONT WHEEL	
29	146 0321 000	1	ADJUSTER M8X55	
30	L08228600	1	WASHER PLAIN 6X18 ISO7093	
31	33005912	1	WASHER M5 UNI6592	
32	145 9366 000	1	CLAMP CABLE D.8	
33	145 9395 000	1	SPRING	
34	145 0222 000	1	CHAIN ROLLER 3/8 - 35 PITCHES	
35	145 2225 000	2	CARBON BRUSH	
36	145 9773 000	1	KEY 6X6X20 UNI6604A	
37	146 0331 000	1	SPACER 18.5X30X1	

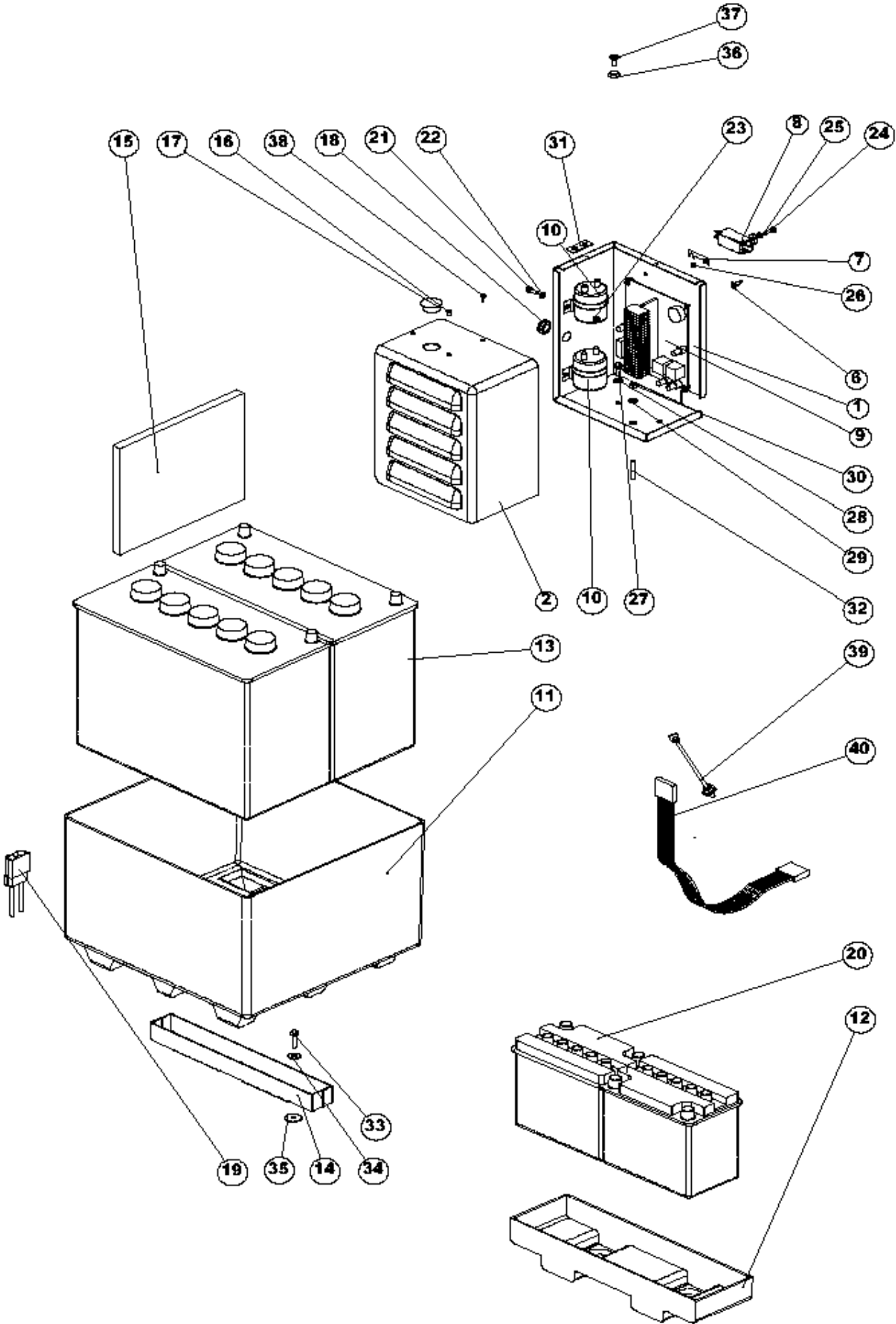
DRAW.J ELECTRICAL SYSTEM

SR 1005 P

06-04-2015

Part List ID
F29119

18



DRAW.J ELECTRICAL SYSTEM

SR 1005 P

06-04-2015

Part List ID

F-29119

19

Pos	Part no.	Qty	Description
0	145 5211 000	1	REDUCTION GEAR 500W 36V
1	146 0197 000	1	BOX ELECTRIC
2	146 0198 000	1	COVER.ELECTRIC BOX
6	145 0516 000	4	SPACER
7	145 9854 000	1	FUSE 50A
8	145 8046 000	1	HOLDER FUSE
9	145 0205 000	1	CARD
10	145 0300 000	2	SWITCH ELECTROM.24V 120A
11	145 0504 000	1	Battery container
12	146 0295 000	1	BATTERY CONTAINER
13	145 0116 000	2	BATTERY 12V 140AH
14	145 4663 000	1	FRAME F/BATTERY 5120
15	145 6094 000	1	ISOLANT PANEL
16	145 1248 000	1	CAP D. 7.9
18	145 9426 000	1	GROMMET D.16
19	9098761000	1	CONNECTOR 50A RED
20	146 0307 000	1	BATTERY 12V 19AH
21	33003962	4	SCREW M5X16 HEX HD F/THD ISO4017
22	33005912	4	WASHER M5 UNI6592
23	33005603	4	NUT SELF L. M5 UNI7474
24	33003950	2	SCREW M4X16 HEX HD F/THD ISO4017
25	L08228600	2	WASHER PLAIN 6X18 ISO7093
26	33005602	2	NUT SELF L. M4 UNI7473
27	33003974	1	SCREW M6X16 HEX HD F/THD ISO4017
28	33005913	1	WASHER M6 UNI6592
29	33005865	1	WASHER M6 UNI8842A
30	33005502	1	NUT HEX M6 UNI5588
33	33003976	2	SCREW M6X25 HEX HD F/THD ISO4017
34	L08228600	2	WASHER PLAIN 6X18 ISO7093
35	1466332000	1	WASHER 6X24X2 UNI6593 10 PCS SET set includes 10 pcs
36	145 1129 000	2	WASHER 6.4X16X13X4.5
38	145 1160 000	3	SCREW 2.9X9.5 SELF HEX HD ISO1479
39	145 1722 000	1	diode IR 72HFR120
40	145 5629 000	1	CONTACT L1700

DRAW.L PETROL ENGINE ASSEMBLY

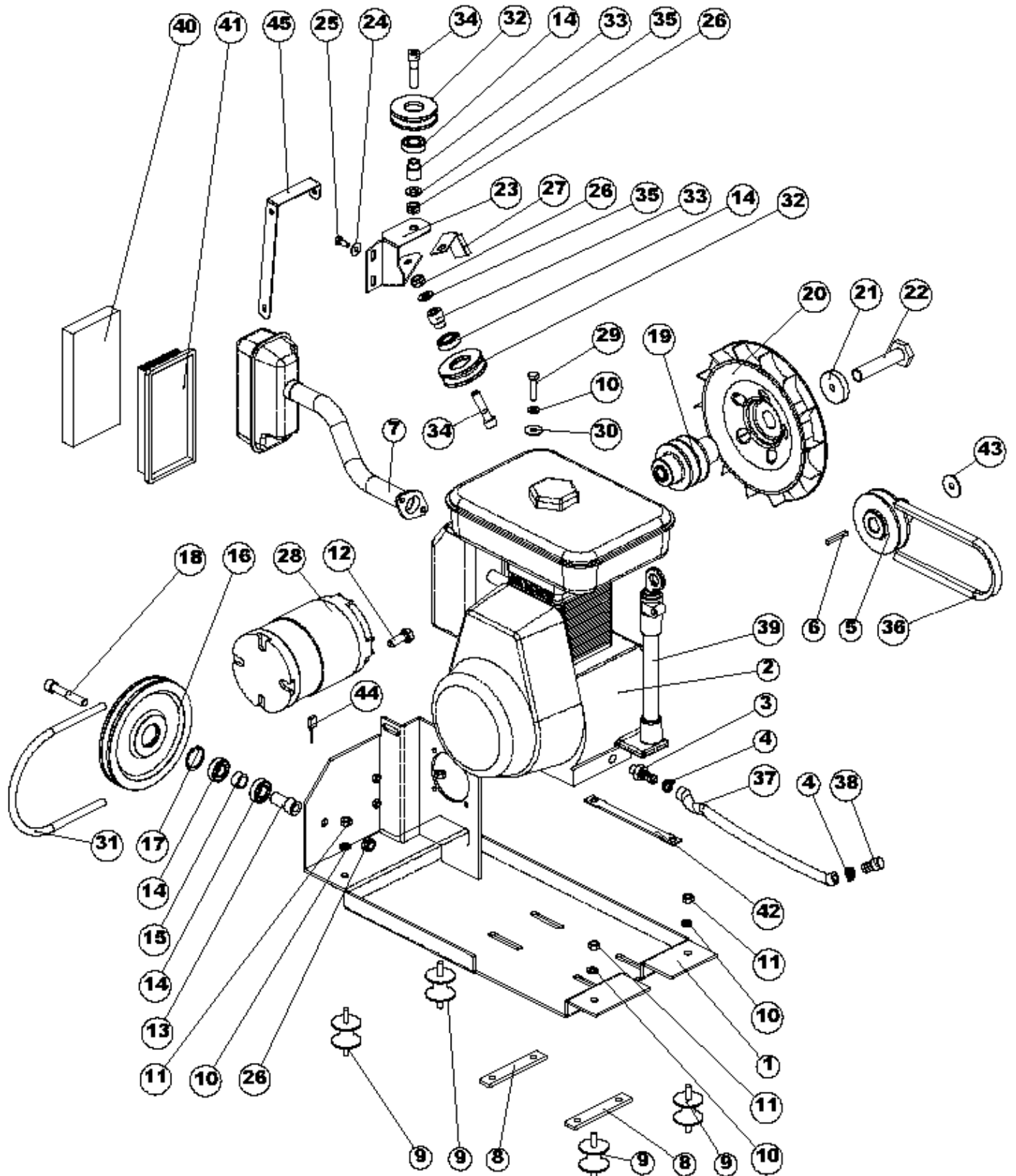
SR 1005 P

06-04-2015

Part List ID

F29125

20



DRAW.L PETROL ENGINE ASSEMBLY

SR 1005 P

06-04-2015

Part List ID

F-29125

21

Pos	Part no.	Qty	Description
2	145 5886 000	1	Petrol engine 3.5 HP
3	145 4350 000	1	HOLDER RUBBER M12x1.5
4	145 8582 000	2	CLAMP 8/ 9-16
5	145 1288 000	1	Pulley
6	145 8011 000	1	KEY 5X5X40 UNI6604A
7	145 5883 000	1	PIPE EXHAUST
8	145 1293 000	2	PLATE. ENGINE FIXING
9	145 8054 000	4	VIBRATION-DAMPING M8 60SH
10	33005842	6	WASHER M8 UNI1751B
11	33005504	4	NUT HEX M8 UNI5588
12	33004010	1	SCREW M10X30 HEX HD F/THD ISO4017
13	145 9862 000	1	SHAFT
14	145 8196 000	4	BEARING BALL 6002 2RS
15	145 2688 000	1	SPACER 15X20X11
16	145 2614 000	1	PULLEY D.150-D. 60 1
17	33006162	2	RING D 32 UNI7437
18	33004394	1	SCREW M10X60 CAP HD HEX SOCK ISO4762
19	146 0280 000	1	PULLEY
20	145 9179 000	1	FAN
21	145 9180 000	1	SPACER 8.5X45X9
22	145 1289 000	1	SCREW 5/16X3/4
23	145 3534 000	1	BRACKET
24	L08228600	1	WASHER PLAIN 6X18 ISO7093
25	33003974	1	SCREW M6X16 HEX HD F/THD ISO4017
26	33005566	1	NUT SELF L. M10 UNI7473
27	145 3359 000	1	Plate
28	145 1290 000	1	DYNAMOTOR W400 24V
29	33003997	1	SCREW M8X35 HEX HD F/THD ISO4017
30	L08300000	1	WASHER 8X24X2 FLAT ISO7093
31	145 0216 000	1	BELT D.10X 997
32	145 0278 000	2	PULLEY D. 56
33	145 2654 000	2	SPACER 10X14X4.2
34	33004391	2	SCREW M10X45 CAP HD HEX SOCK ISO4762
35	33005916	2	WASHER M10 UNI6592
36	145 1292 000	1	BELT
38	145 9220 000	1	CAP D.10-17
39	145 2099 000	1	EXTENSION F OIL DIPSTICK
40	145 5971 000	1	PREFILTER
41	145 5885 000	1	AIR FILTER
43	145 9171 000	1	WASHER 8X32X2.5 UNI6593
44	1464432000	1	CARBON BRUSHES KIT 4 PCS
45	146 0346 000	1	Bracket

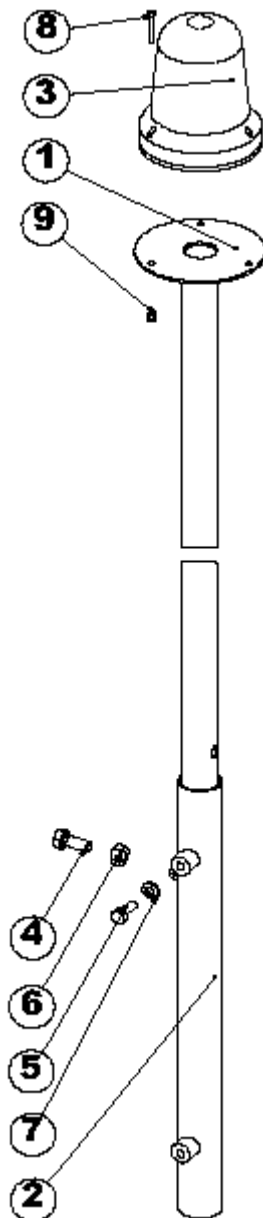
DRAW.M ACCESSORIES

SR 1005 P

06-04-2015

Part List ID
F29127

22



DRAW.M ACCESSORIES

SR 1005 P

06-04-2015

Part List ID

F-29127

23

Pos	Part no.	Qty	Description
1	145 5286 000	1	BAR F FLASHING BEACON
2	145 5287 000	1	SUPPORT F FLASHING BEACON BAR
3	146 0146 00	1	FLASHING BEACON 24V/21W
4	33005444	1	SCREW M8X20 HEX HD F/THD ISO4017
5	33003975	2	SCREW M6X20 HEX HD F/THD ISO4017
6	33005504	1	NUT HEX M8 UNI5588
7	33005913	2	WASHER M6 UNI6592
8	L08603705	3	SCREW M3X25 PAN HD PHIL ISO7045
9	33005601	3	NUT SELF L. M3 UNI7474

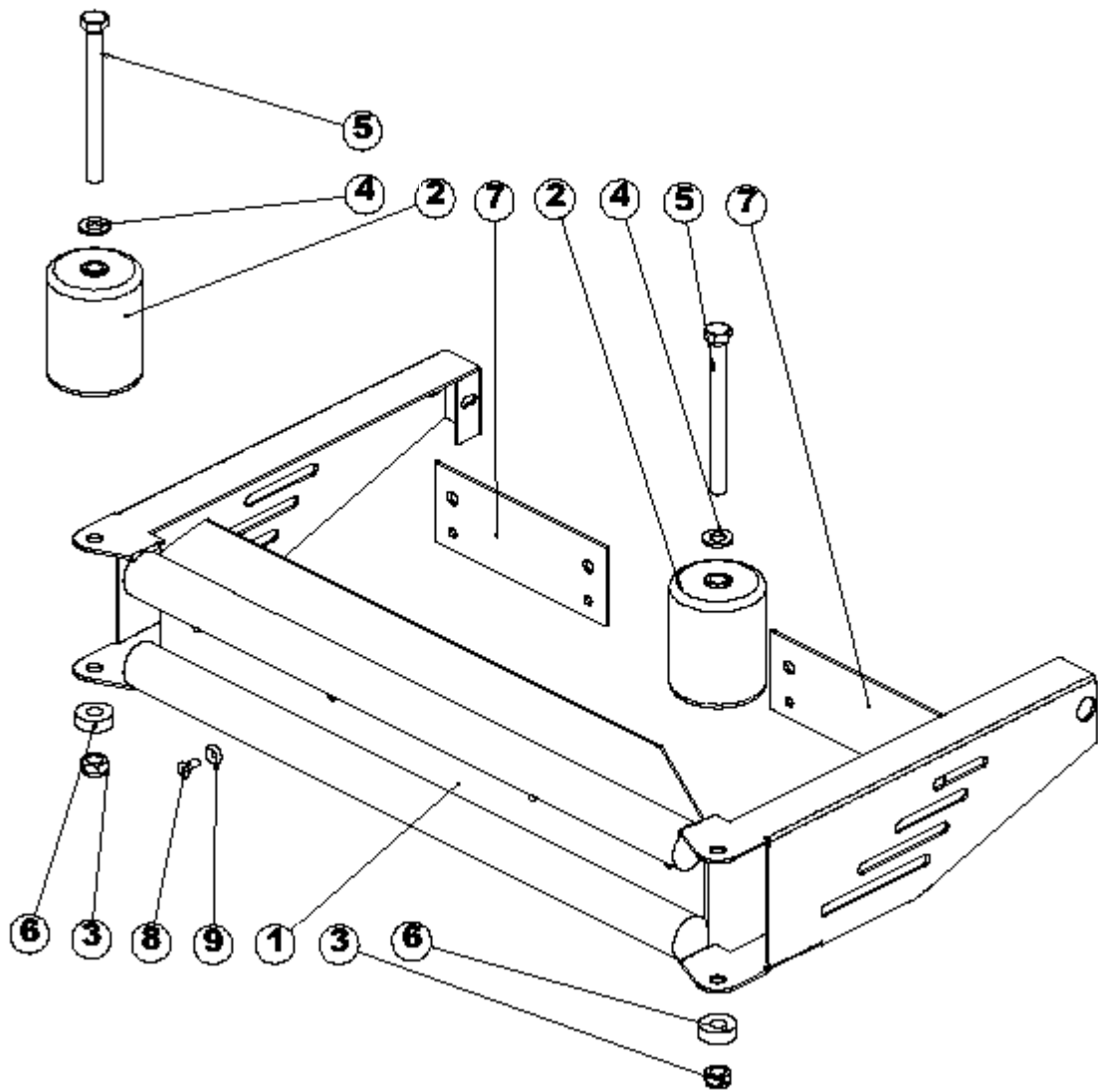
DRAW.M ACCESSORIES

SR 1005 P

06-04-2015

Part List ID
F29130

24



DRAW.M ACCESSORIES

SR 1005 P

06-04-2015

Part List ID

F-29130

25

Pos	Part no.	Qty	Description
1	145 5770 000	1	PIN
2	145 6032 000	2	BOMPING ROLLER
3	L08601000	2	NUT SELF L. M12 UNI7473
4	33003720	2	WASHER M12 UNI6592
5	145 6008 000	2	SCREW M12X140 HEX HD P/THD ISO4014
6	145 6036 000	2	SPACER 12.5X30X10
7	145 5811 000	2	BRACKET FOR BUMPER ROLLER
8	33004576	8	SCREW M6X16 C/SUNK FLAT HD HEX ISO10642
9	145 1129 000	6	WASHER 6.4X16X13X4.5

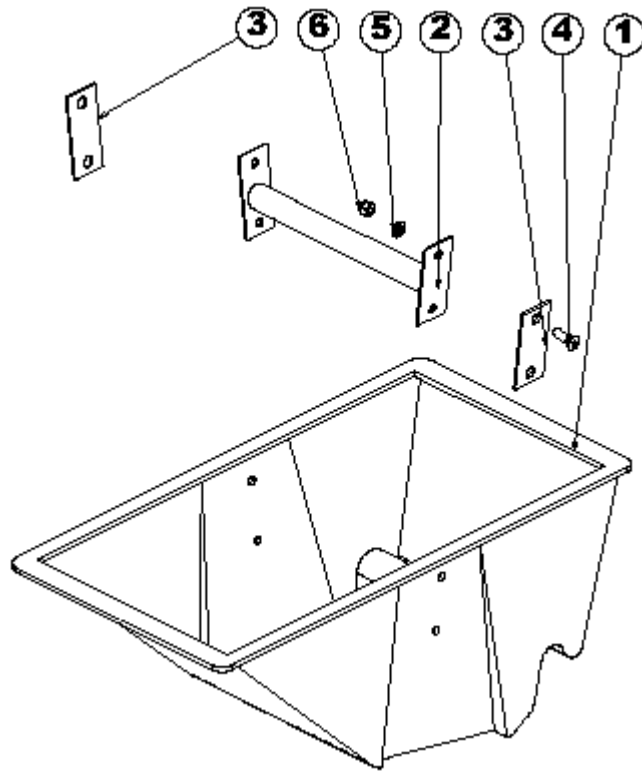
DRAW.M ACCESSORIES

SR 1005 P

06-04-2015

Part List ID
F29128A

26



DRAW.M ACCESSORIES

SR 1005 P

06-04-2015

Part List ID

F29128A

27

Pos	Part no.	Qty	Description
1	145 5250 000	1	TANK PLASTIC BOX
2	145 5249 000	1	HANDLE
3	145 3430 000	2	PLATE
4	33004578	4	SCREW M6X20 C/SUNK FLAT HD HEX ISO10642
5	33005913	4	WASHER M6 UNI6592
6	33005562	4	NUT SELF L. M6 UNI7473

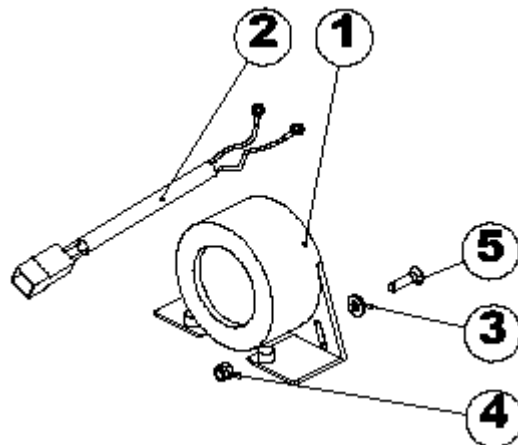
DRAW.M ACCESSORIES

SR 1005 P

06-04-2015

Part List ID
F29128B

28



DRAW.M ACCESSORIES

SR 1005 P

06-04-2015

Part List ID
F29128B

29

Pos	Part no.	Qty	Description
1	145 5817 000	1	BUZZER
2	145 5818 000	1	HARNESS
3	145 9122 000	2	WASHER 5.3X14.5X3.2
4	33005603	2	NUT SELF L. M5 UNI7474
5	33004565	2	SCREW M5X20 C/SUNK FLAT HD HEX ISO10642

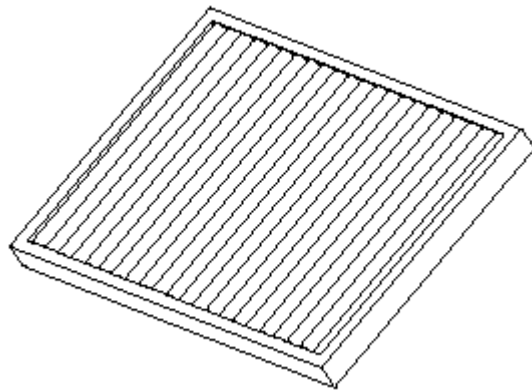
FILTERS

SR 1005 P

06-04-2015

Part List ID
F29129A

30



FILTERS

SR 1005 P

06-04-2015

Part List ID
F29129A

31

Pos	Part no.	Qty	Description
1	146 0188 000	1	FILTER PAPER
1	146 0332 000	1	FILTER POLYESTER
1	146 0367 000	1	POLJESTER FILTER

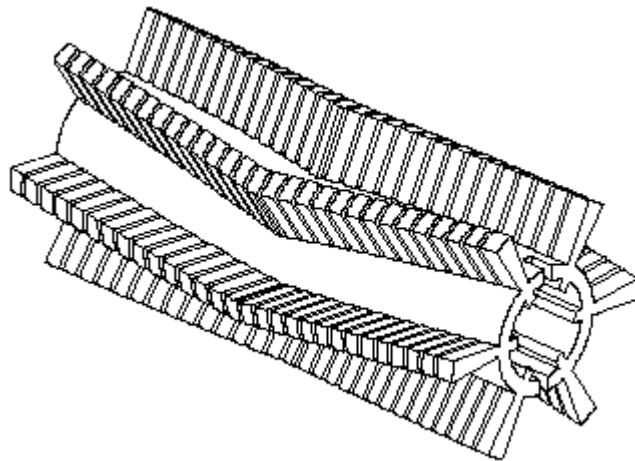
MAIN BROOMS

SR 1005 P

06-04-2015

Part List ID
F29129B

32



MAIN BROOMS

SR 1005 P

06-04-2015

Part List ID

F29129B

33

Pos	Part no.	Qty	Description
1	145 4845 000	1	BROOM MAIN 265X580 CHEVRON 6R PPL 0.7
1	145 4981 000	1	BROOM MAIN 265X580 CHEVRON 6R NATURAL
1	146 0298 000	1	BRUSH MAIN 245X580 P
1	146 0299 000	1	Brush main 245x580 nat.

SIDE BROOMS

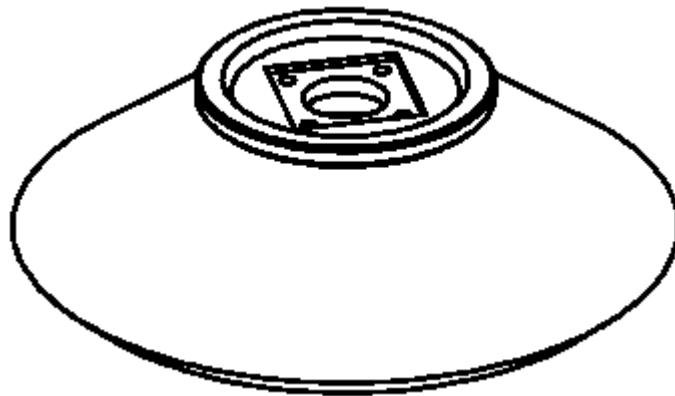
SR 1005 P

06-04-2015

Part List ID

F29129C

34



SIDE BROOMS

SR 1005 P

06-04-2015

Part List ID
F29129C

35

Pos	Part no.	Qty	Description
1	145 1899 000	1	BROOM SIDE 180X400 PPL 0.7
1	145 4959 000	1	BROOM SIDE 180X400 MIX STEEL
1	145 4976 000	1	BROOM SIDE 180X400 NATURAL

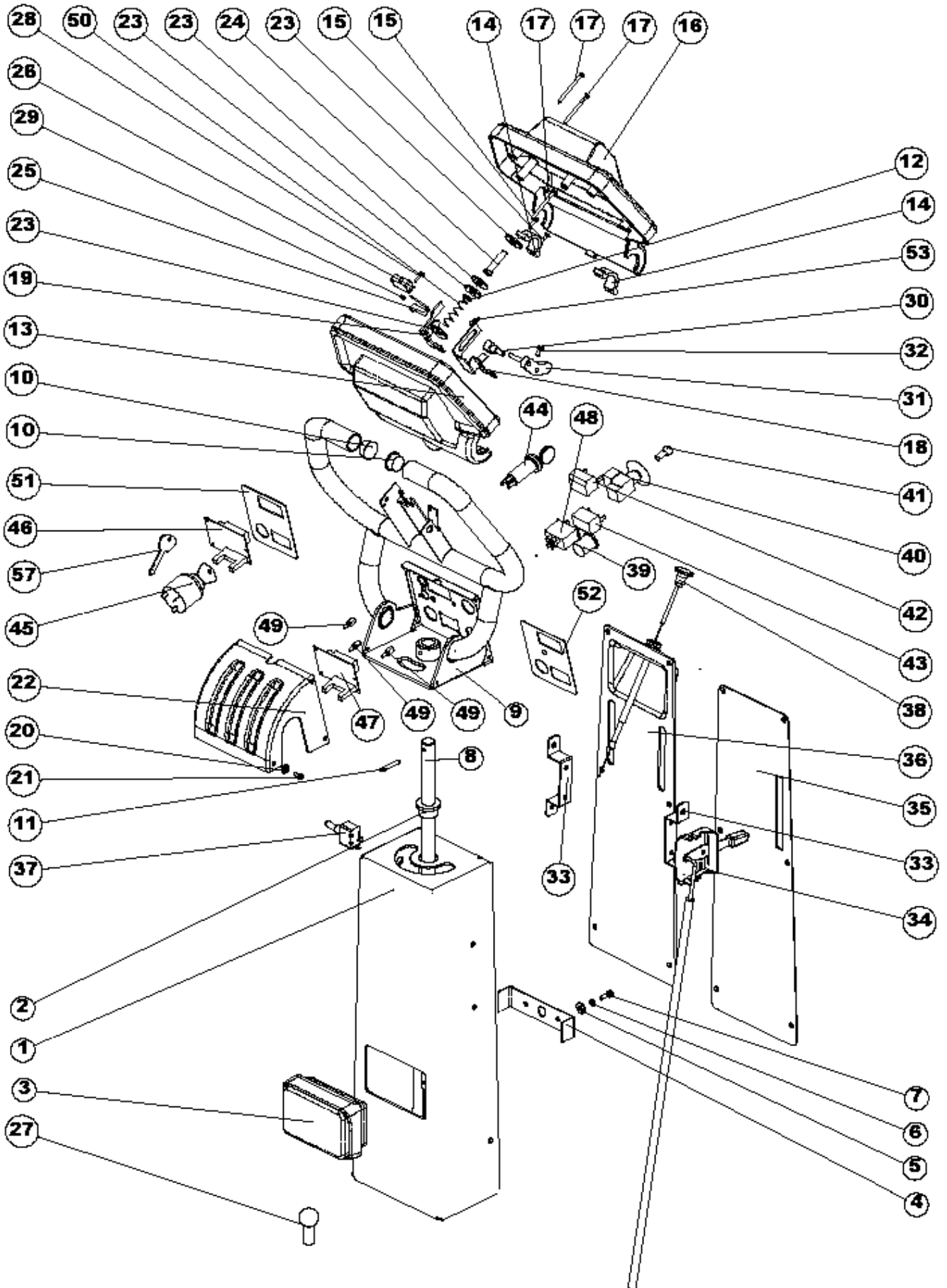
DRAW.K STEERING SYSTEM

SR 1005 P

06-04-2015

Part List ID
F29121-P

36



DRAW.K STEERING SYSTEM

SR 1005 P

06-04-2015

Part List ID

F-29121-P

37

Pos	Part no.	Qty	Description
1	146 0195 000	1	COLUMN STEERING
2	145 2388 000	1	BUSHING 17X25
3	145 8244 000	1	LIGHT
4	145 3483 000	1	BRACKET
5	145 8280 000	2	WASHER 5X15X1.2 UNI6593 SS
6	33005839	2	WASHER M5 UNI1751B
7	33003962	2	SCREW M5X16 HEX HD F/THD ISO4017
8	146 0194 000	1	SHAFT STEERING
9	146 0208 000	1	HANDLE
10	145 4261 000	2	CAP D.25.8
11	145 4546 000	1	PIN 5X30 UNI6873
12	33005913	1	WASHER M6 UNI6592
13	L08812280	1	HOUSING SWITCH REAR
14	L08812279	2	COLLAR
15	L08603192	4	SCREW 3.6X16 PAN PHIL W/O BIT F PLASTIC
16	L08812281	1	HOUSING SWITCH FRONT
17	L08812421	5	SCREW 3.9X16 SELF C/SUNK PHIL BR ISO7050
18	146 0385 000	1	BRACKET FOR POTENTIOMETER
19	146 0216 000	1	BRACKET FOR MICROSWITCH
20	145 9122 000	6	WASHER 5.3X14.5X3.2
22	146 0217 000	1	COVER
23	L08812337	4	WASHER 9X25X2 NYLON
24	L08812316	1	BUSHING. DRIVE CONTROL
25	L08812377	1	CONTACT FOR MICROSWITCH
26	L08812294	2	MICRO SWITCH
27	145 5518 000	1	LAMP 24V 21W
28	L08093600	4	SCREW M3X16 PAN HD PHIL ISO7045
29	33005499	4	NUT HEX M3 UNI5588
30	146 0386 000	1	HARNESS POTENTIOMETER
31	146 0209 000	1	LEVER POTENTIOMETER
32	33003947	1	SCREW M4X10 HEX HD F/THD ISO4017
33	146 0218 000	2	Bracket
34	146 0193 000	1	CABLE
37	145 8261 000	1	SWITCH 15A
38	145 9160 000	1	Pulley
39	145 8885 000	1	BUTTON RED
40	146 2905 000	1	SWITCH. EMERGENCY KIT
41	145 1233 000	1	LAMP 24V 3W
42	146 1728 000	1	CONTACT. NC.
43	146 1730 000	1	CONTACT. NA.
45	145 3786 000	1	SWITCH
46	145 3724 000	1	CARD
48	145 9817 000	1	SWITCH

DRAW.K STEERING SYSTEM

SR 1005 P

06-04-2015

Part List ID
F-29121-P

38

Pos	Part no.	Qty	Description
49	145 5121 000	3	SPACER
51	145 1301 000	1	DECAL CONTROL PANEL
53	146 0301 000	1	SPRING
56	145 8160 000	1	Cable
57	146 0073 00	1	KEY