

# SH 460

---

Model:  
SH 460



Part List US-English

15-02-2015

# Table of Contents

SH 460

<b>HANDLE - FRONT</b>	<b>3</b>
<b>HANDLE - REAR</b>	<b>5</b>
<b>BASE ASSEMBLY</b>	<b>7</b>
<b>BRUSH AND ADJUSTMENT LINKAGE</b>	<b>9</b>
<b>COMPRESSOR</b>	<b>11</b>
<b>WIRING DIAGRAM</b>	<b>13</b>

# HANDLE - FRONT

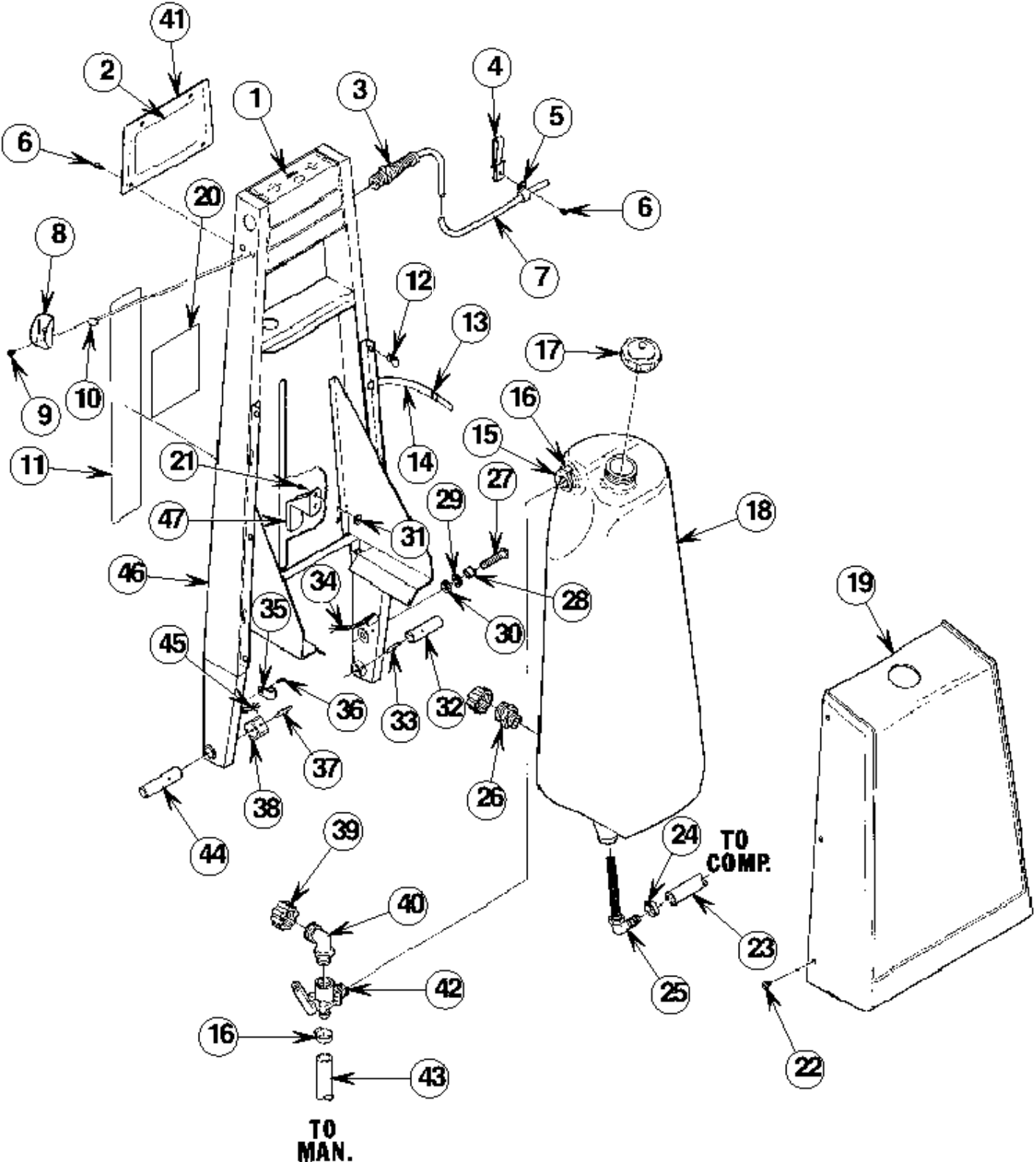
15-02-2015

Part List ID

C3312

SH 460

3



# HANDLE - FRONT

SH 460

15-02-2015

Part List ID C3312

4

Pos	Part no.	Qty	Description
3	56323046	1	STRAIN RELIEF BLACK NYLON F
5	56300152	1	CLAMP CORD E00129
7	56244835	1	CORD SET EXPT 18X40FC410GX
8	56200352	1	GUARD SWITCH HP6A
9	56001904	1	SCR PAN PHIL 6 32 X .38
10	56153648	1	PLUG BUTTON .468 E00172
11	56015285	1	DECAL GAUGE
12	56255874	6	NUT CLP E00457 FA34J
16	56244969	3	CLAMP HOSE SAE 12 E00047
17	56244866	1	CAP BLACK NYLON
19	56245322	1	SHROUD
21	56002043	2	SCR PAN PHIL 10 24 X .38
22	56001818	6	SCR PAN PHIL 8 32 X .38
23	56244967	1	HOSE .50 X 65.00 E00199
24	56219932	3	CLAMP HOSE SAE 6 E00047
25	56244987	1	BUBBLER FITTING FC433NX 1
26	56244980	1	ADAPTER GHTX1/2 NYLFC433F
27	56002721	1	SCR HEX 5/16-18 X 2.00
28	56244941	1	BUSHING .31X.50X.40FC428E
29	56001939	1	WSH FLT SAE 5/16
30	56002701	1	NUT HEX NYL LOC 5/16-18
31	56002832	2	NUT HEX NYL LOC-THIN 10-24
32	56244858	1	PIN FC438E
33	56002082	1	PIN SPR .19 X 1.00
34	56244829	1	CORD ASSY 16/3 X 51
35	56442011	2	CLAMP CABLE .438 E00129
36	56009075	2	SCR HEX THD FORM 8-32X.38
37	56002082	1	PIN SPR .19 X 1.00
38	56244834	1	CAM FC417A
39	56255076	2	CAP PIPE GHT NYLON FA33K
39	56368776	2	WSH FLT RUBBER .625CV80L
40	56245072	1	ELBOW GHTX1/2 NYL FC489E
41	56245321	1	COVER
42	56245078	1	VALVE BALL 3 WAY FC489V
43	56261262	1	HOSE E00521
44	56244873	1	PIN FC438F
46	56245323	1	HANDLE WELDMENT CODE 07
47	56218881	1	BRUSH FC39BA
47	56392765	1	HOOK CORD

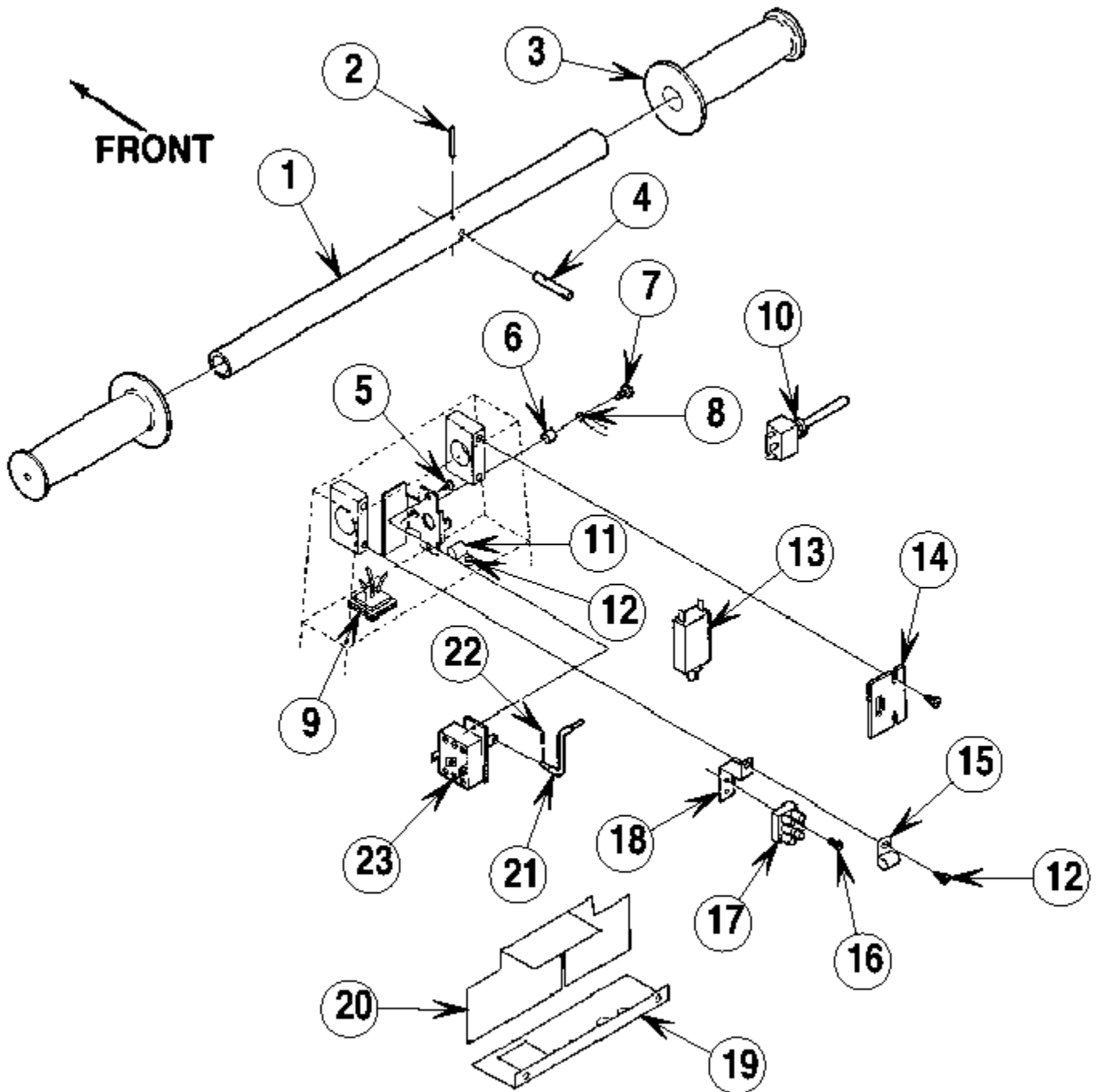
# HANDLE - REAR

SH 460

15-02-2015

Part List ID C3314

5



# HANDLE - REAR

SH 460

15-02-2015

Part List ID C3314

6

Pos	Part no.	Qty	Description
0	56002832	1	NUT HEX NYL LOC-THIN 10-24
0	56002877	1	NUT HEX NYL LOC SS 8-32
1	56245002	1	TUBE METAL FC436E
2	56002763	1	PIN SPR .12 X 1.12
3	56900248	2	GRIP HANDLE
4	56245004	1	PIN .250X1.500 FC436F
5	56009032	2	SCR HEX THD FORM 6 32X.38
6	56369004	1	BUSHING CV82J
7	56001993	1	SCREW 10-24 X 0.5 ZINC PL
8	56245060	1	SPRING TOR .38X2 FC486B
10	56468350	1	SWITCH TOGGLE DPDT RE635A
11	56442011	2	CLAMP CABLE .438 E00129
12	56009075	4	SCR HEX THD FORM 8-32X.38
13	56387562	1	CIRCUIT BREAKER 4A
15	56300152	1	CLAMP CORD E00129
16	56002251	2	SCR PAN PHIL 4 40 X .62
17	56183523	1	TERMINAL BLOCK
18	56245333	1	BRACKET
21	56244996	1	LINK FC436A
22	56003144	2	PIN COT .06 X .50
23	56221155	1	SWITCH TOGGLE SPDT FC36C 1

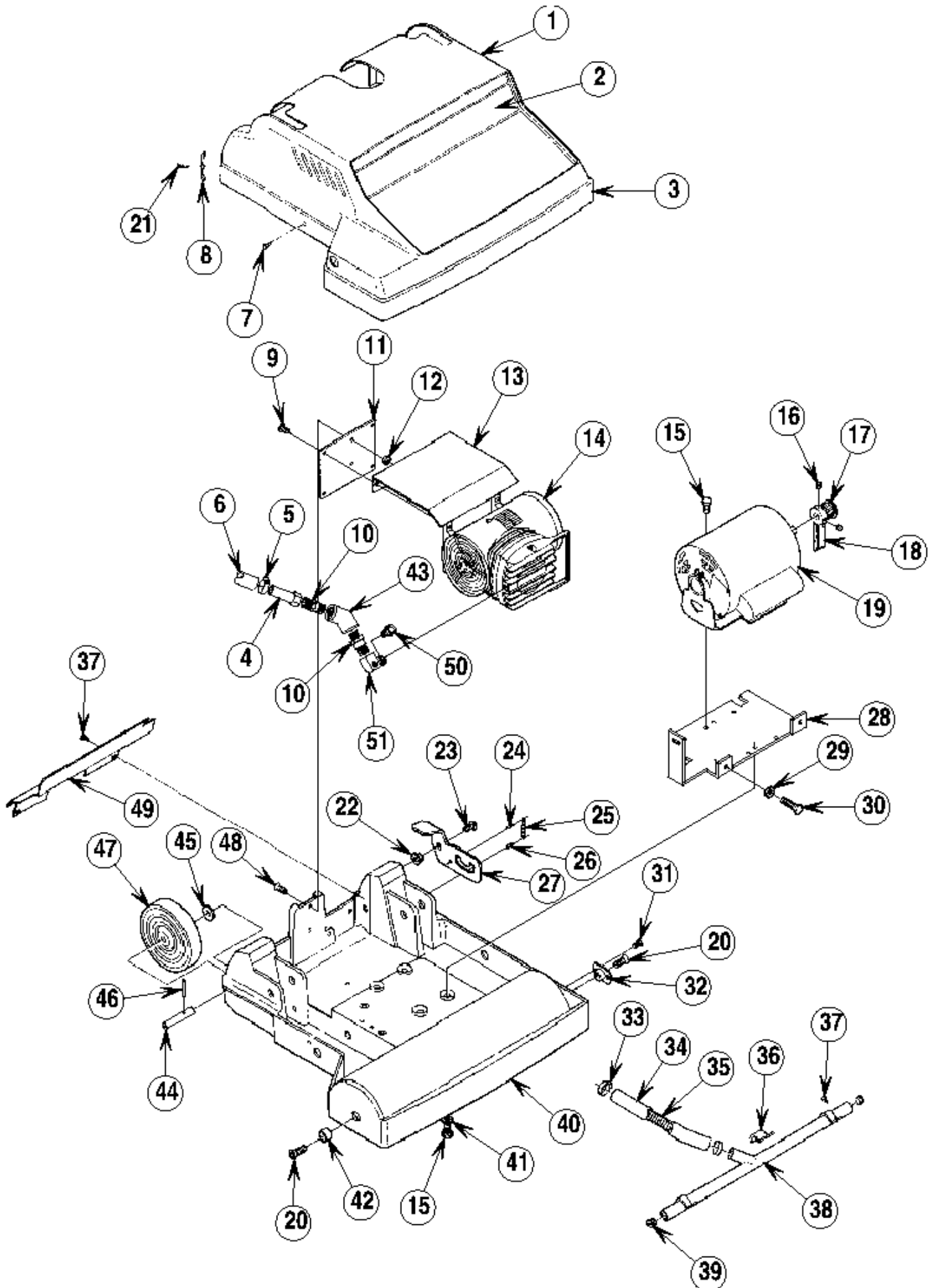
# BASE ASSEMBLY

SH 460

15-02-2015

Part List ID C3316

7



# BASE ASSEMBLY

SH 460

15-02-2015

Part List ID C3316

8

Pos	Part no.	Qty	Description
3	56244956	1	BUMPER
4	56752754	1	BARB 3/8X1/4 FEM BR4541
5	56756364	1	CLAMP HOSE SAE 4 E00047
6	56244935	1	HOSE .375 X 60 E00552
7	56009100	3	SCR PANPHILTHD BLK 10-24X.62
8	56244846	3	CLIP FC421A
9	56002503	4	SCR HEX 10-24 X .50
10	56218510	2	VALVE CHECK 1/4 FC42B
12	56002832	2	NUT HEX NYL LOC-THIN 10-24
13	56245312	1	SHIELD
14	56219215	1	COMPRESSOR 230/50 FC42 5
14	56237647	1	COMPRESSOR ASSY 230FC242X-5
15	56002923	8	SCR HEX LOC 5/16-18 X .50
16	56002021	2	SCR SOC SET LOC 5/16 18 X .38
18	56245608	1	BELT POLY V 210J8
20	56002159	2	SCR FLT SOC 5/16-18 X 1.00
21	56009133	3	SCR FLTPHILTHDFORMLOC 10-24X.5
22	56320595	1	BUSHING .31X.50X.28HC18M
23	56002929	5	SCR HEX LOC 5/16-18 X .62
24	56244939	1	PIN GRV .19X.FC428D
25	56321087	1	SPRING EXT .25X1.25HC28B
26	56151122	1	PIN GRV .12X.G31L
29	56002769	2	NUT HEX NYL LOC 3/8-16
30	56002058	2	SCR HEX 3/8-16 X 2.25
31	56009040	2	SCR FLT PHL THD FORM 10 24X.38
33	56244969	2	CLAMP HOSE SAE 12 E00047
34	56261262	1	HOSE E00521
35	56245010	1	SPRING COM .68X15.0 E00453
36	56245076	1	STRAP FC489N
37	56009012	8	SCR HEX THD FORM 10 24X.38
38	56245079	1	MANIFOLD ASSEMBLY FC489X
38	56245092	1	GASKET 1/8X1/4X38 FC490
39	56261421	2	PLUG PIPE E00040
41	56001939	4	WSH FLT SAE 5/16
43	56900032	1	COUPLING E00041
44	56245347	2	PIN
45	56001879	8	WSH FLT SAE 1/2
46	56003220	2	NUT HEX NYL THIN 1-14 UNF
47	56161691	2	WHEEL 5.00X1.250 PM15A
48	56009127	2	SCR FLTPHIL THD FORM 10 24X.62
50	56257990	1	VALVE RELIEF 11 PSIFA42E
51	56219798	1	ELBOW ST 1/4 SPECL FC42E 1



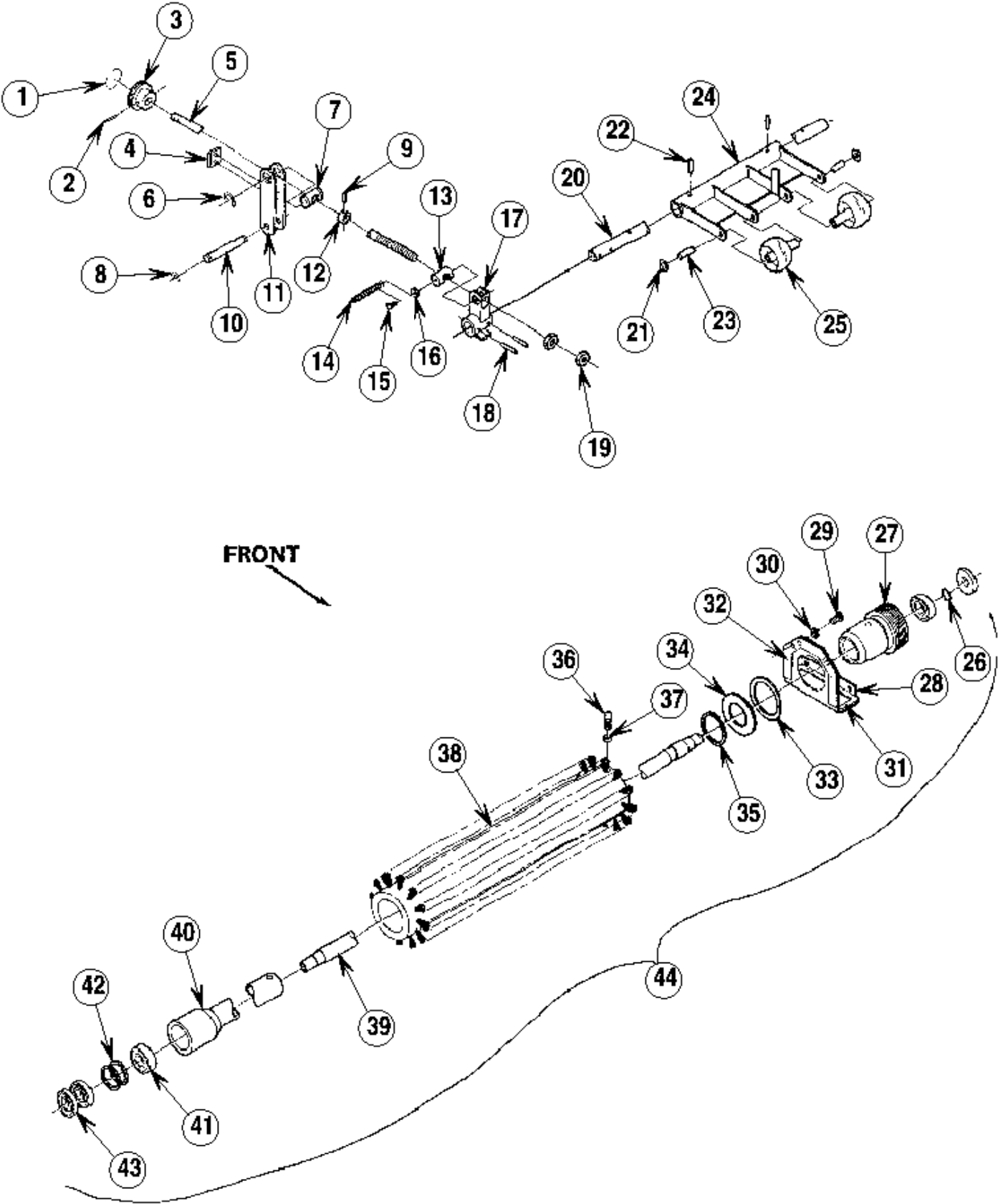
# BRUSH AND ADJUSTMENT LINKAGE

SH 460

15-02-2015

Part List ID C3318

9



# BRUSH AND ADJUSTMENT LINKAGE

SH 460

15-02-2015

Part List ID C3318

10

Pos	Part no.	Qty	Description
0	56245339	1	CONTROL ASSY
1	56023092	1	DECAL BRUSH CONTRL HC498E
2	56002763	1	PIN SPR .12 X 1.12
3	56395061	1	KNOB 1.50X.377 FC31
4	56362069	1	WEAR STRIP CA2B
5	56244861	1	SCREW FC417F
6	56003265	2	RING RET EXT TYPE E
8	56003262	2	RING RET EXT TYPE E
9	56001984	1	PIN SPR .12 X .75
10	56244865	1	PIN .375X2.687 FC417G
11	56244854	1	ARM FC417D
12	56245022	1	COLLAR SHAFT .437 FC417K
14	56379301	1	SPRING EXT .37X3.62CR211J
15	56003128	1	SCR HEX 8 32 X .38
16	56002877	1	NUT HEX NYL LOC SS 8-32
17	56244869	1	LEVER WELDMENT FC417HX
18	56002082	2	PIN SPR .19 X 1.00
20	56244896	1	SHAFT FC418E
21	56009132	2	NUT PUSH CAP 1/4
22	56002082	2	PIN SPR .19 X 1.00
23	56244810	1	PIN
25	56323086	2	WHEEL
26	56217999	1	RING RET EXT 21/32 FC5D
27	56245602	1	SHEAVE POLY V 8J25
28	56244899	1	SHIELD ASSY FC406DX
29	56002124	4	SCREW10-24 X .62 PNH PH
30	56009011	4	WSH INT SHPRF 10
31	56244905	1	GASKET
32	56244903	1	GASKET FC406F
33	56220965	1	WASHER NYLON FC6N 1
34	56217875	1	WASHER RUBBER 1.50 FC6E
35	56218448	1	RING RET EXT 1.937 FC6G
37	56368997	2	BUSHING .25X.37X.21CV82H
38	56244928	1	BRUSH FC458
39	56244926	1	SHAFT FC455
40	56244930	1	SLEEVE MFG. FC456AX
41	56372773	2	BEARING BALL .6693 CV25D 1
42	56220108	2	WSH 1.26X1.5X.06E00458
43	56218049	3	SEAL SHAFT FC6F
44	56244961	1	BRUSH ASSY FC458X 1

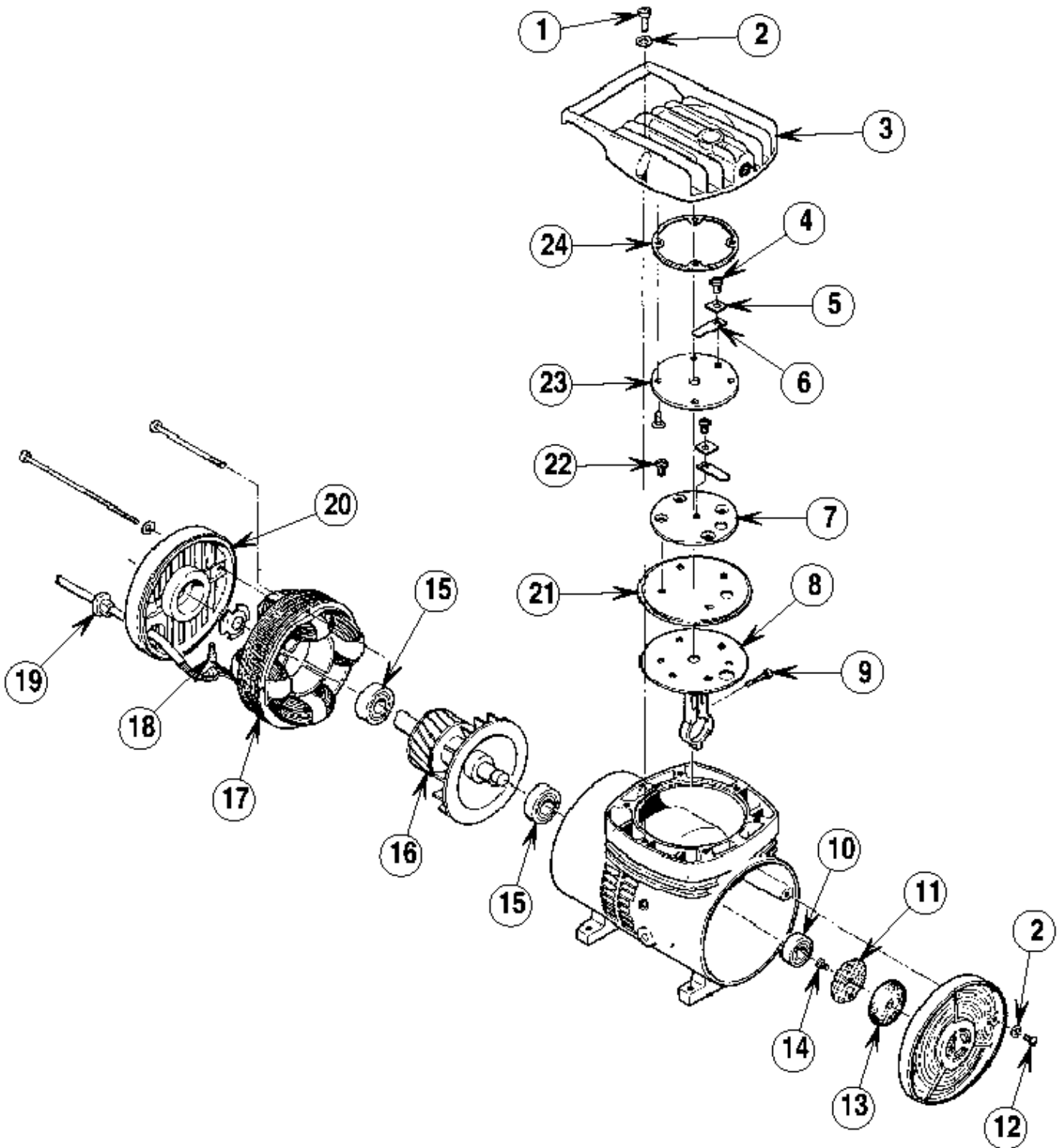
# COMPRESSOR

SH 460

15-02-2015

Part List ID C33110

11



# COMPRESSOR

SH 460

15-02-2015

Part List ID  
C33110

12

Pos	Part no.	Qty	Description
0	56219215	1	COMPRESSOR 230/50 FC42 5
5	56220963	2	KEEPER STRIP FC42T
6	56220955	2	FLAPPER FC42P
8	56220532	1	CONNECTING ROD FC42BH
9	56002487	1	SCR SOC HD 10 24 X .75
11	56220516	1	SCREEN FC42AG
13	56220513	1	FILTER FC42AF
14	56009051	1	SCR PAN PHIL THD FORM 8-32X.38
15	56220529	2	BEARING HOUSING FC42BF
18	56321737	2	CONNECTOR WIRE 14GAHC10H
19	56163015	1	STRAIN RELIEF .355 P31 1
21	56220950	1	DIAPHRAGM FC42L
22	56002306	8	SCR FLT PHIL 8 32 X .38
23	56220930	1	VALVE COMPRESSOR FC42K
24	56220953	1	GASKET FC42N

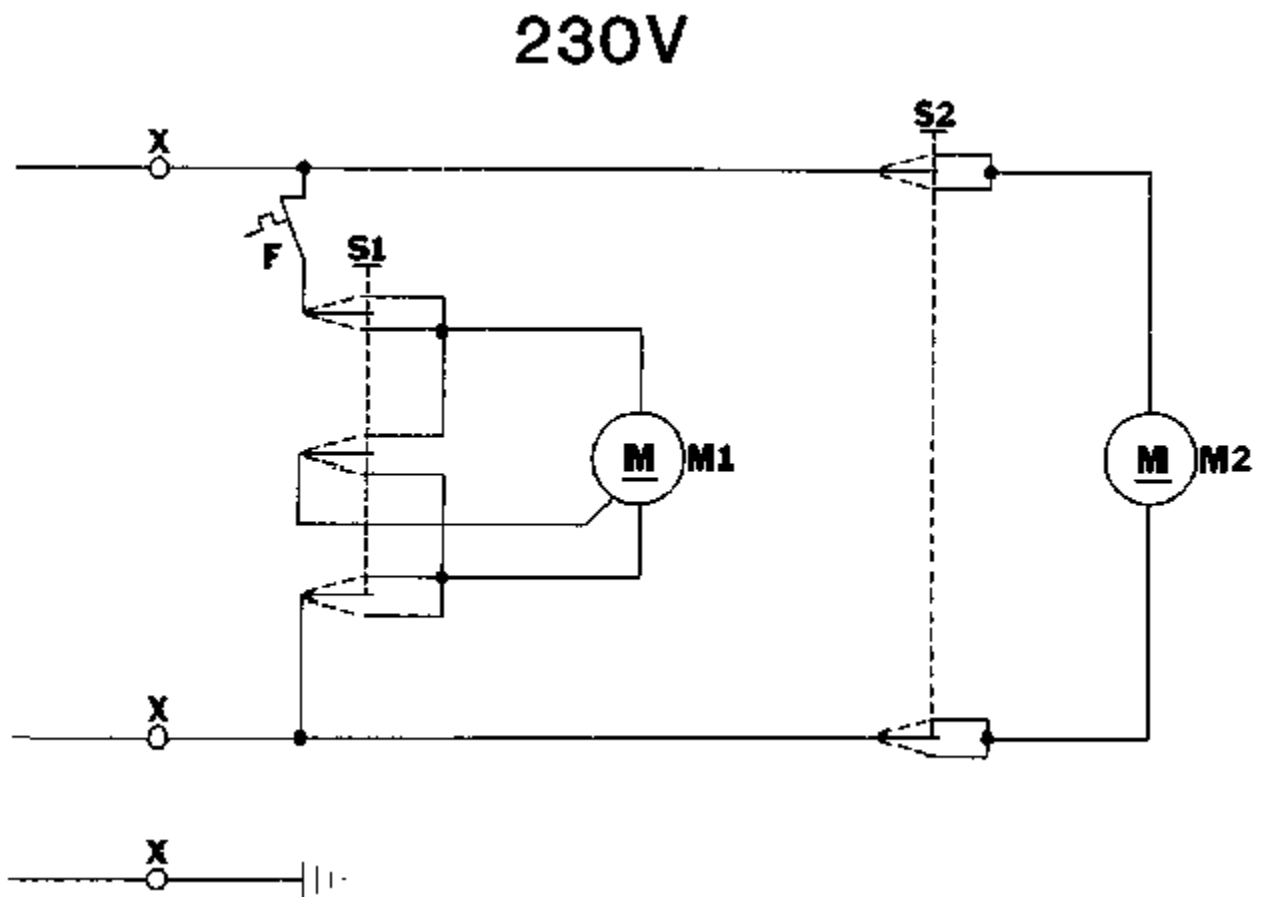
# WIRING DIAGRAM

SH 460

15-02-2015

Part List ID C33112

13



# WIRING DIAGRAM

SH 460

15-02-2015

Part List ID C33112

14

Pos	Part no.	Qty	Description
F	56387562	1	CIRCUIT BREAKER 4A
X	56183523	1	TERMINAL BLOCK
M2	56219215	1	COMPRESSOR 230/50 FC42 5
S1	56221155	1	SWITCH TOGGLE SPDT FC36C 1
S2	56468350	1	SWITCH TOGGLE DPDT RE635A