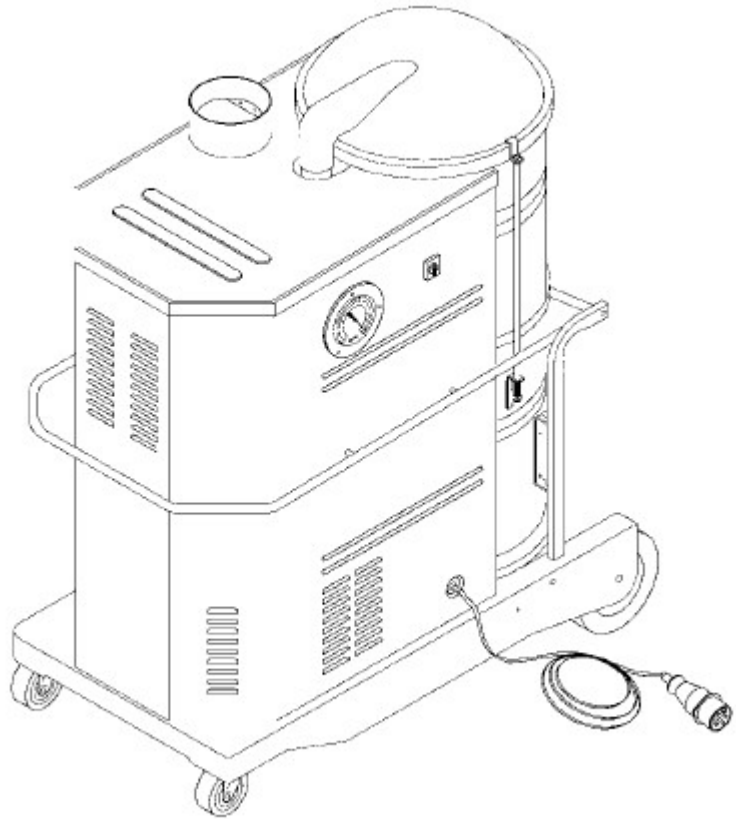


GB 1133

Model:
GB 1133
GB 1133 SAC VARIANTS



Part List US-English

10-02-2015

Table of Contents

GB 1133

Housing	3
Chassis	5
Compressor and electrical components	8
Filter unit	10
Shaker mechanism	12
Transport flange	14

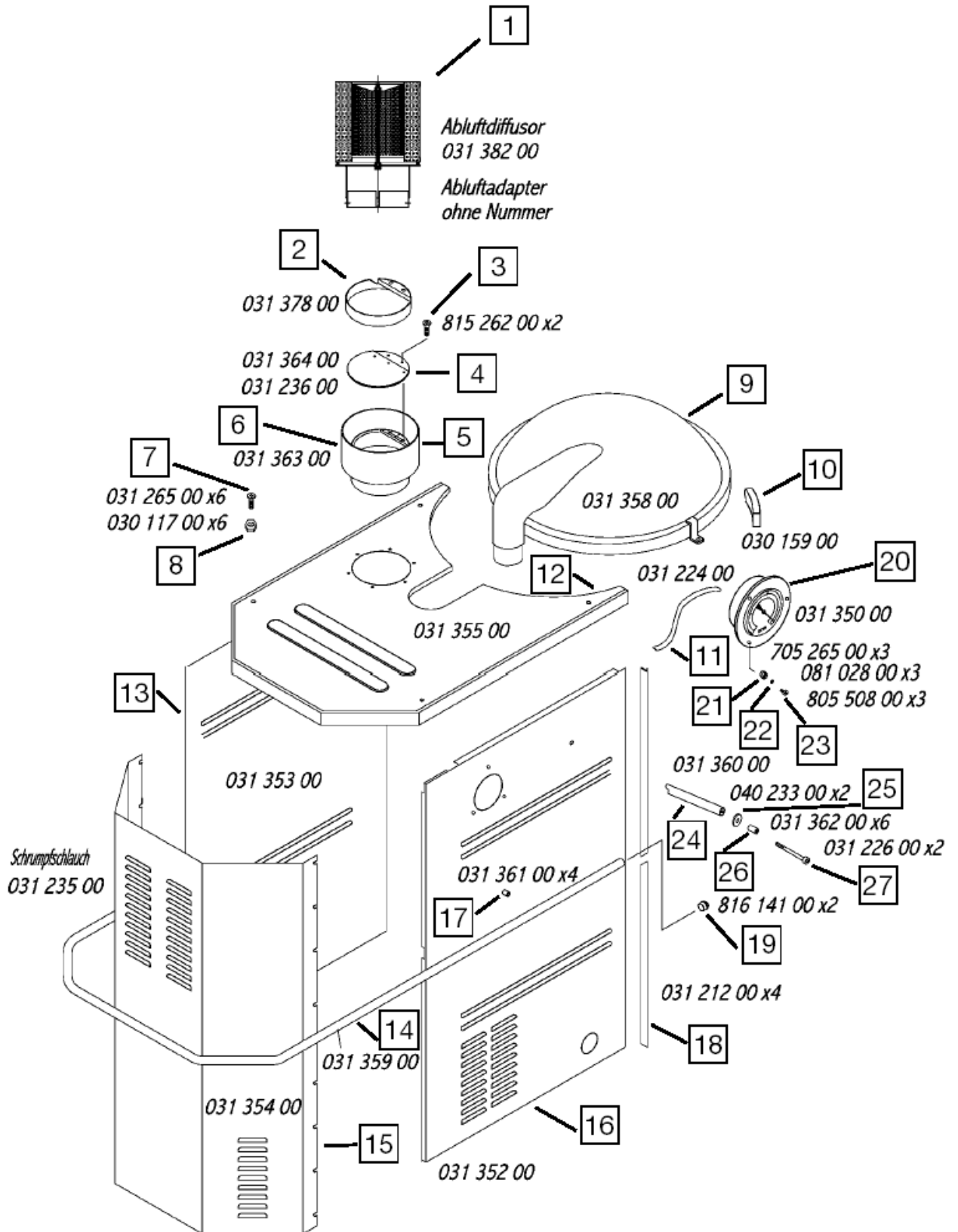
Housing

GB 1133

10-02-2015

Part List ID
G10913

3



Housing

GB 1133

10-02-2015

Part List ID
G10913

4

Pos	Part no.	Qty	Description
1	L03138200	1	DIFFUSER CARTRIDGE
3	81526200	1	SKRUE M5X16 PANH
5	L03123600	1	RUBBER FOR EXHAUST
8	L03011700	1	NUT
9	L03135800	1	LID WITH CONNECTION TUBE
10	L03015900	1	SEAL RING F/GB1133
11	L03122400	1	HOSE FOR MANOMETER 0.5 M
19	81614100	1	HANDLE STOP GS82
20	L03135000	1	MANOMETER
21	70526500	1	NUT-BRASS M4 HEX
22	33005862	1	WASHER M4 UNI8842A
23	80550800	1	SCREW M4X8 MACHINE

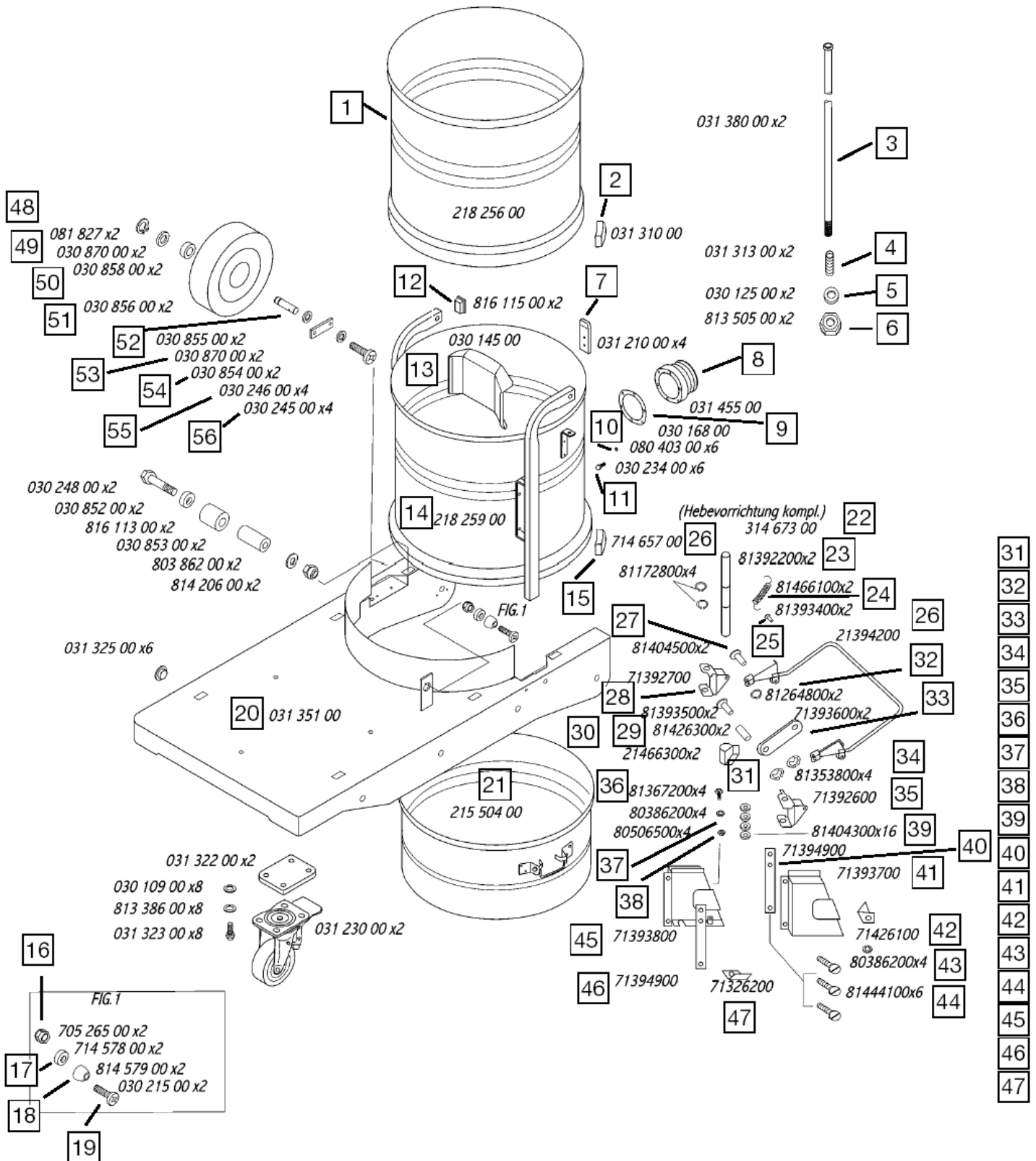
Chassis

GB 1133

10-02-2015

Part List ID G10915

5



Chassis

GB 1133

10-02-2015

Part List ID
G10915

6

Pos	Part no.	Qty	Description
2	L03131000	1	JOINT 2000X19X6
4	L03131300	1	FEDER GB 1133
6	81350500	1	NUT Machine outphased 2007
8	L03145500	1	CONTAINER FLANGE
10	L08040300	1	WASHER C38
11	81900800	1	SCREW M5X16 FE/ZN HEX
12	81611500	1	PLASTDUP
13	81853200	1	DEFLECTOR FOR 70MM
15	71465700	1	SEALING RING ON FILTER HOLDER
16	70526500	1	NUT-BRASS M4 HEX
17	71457800	1	SPACER BUSH
18	81457900	1	RUBBER BUFFER
21	21550400	1	DUST HOLDER -600MM
22	31467301	1	FODBØJLE M.LØFTEANORDN.
23	81392200	1	SHAFT FOR LIFT ARRANGEMENT
24	81466100	1	TENSION SPRING FOR LIFT ARR.
25	81393400	2	SHAFT SOCKET
26		1	LEG
27	81404500	2	SHAFT SOCKET
28	71392700	1	LIFTING FORK RIGHT
29	81393500	2	SHAFT SOCKET
30	81426300	2	BUSHING FOR SHAFT SOCKET
31	21466300	2	LIFTING HOOK
32	81264800	2	SEEGER RING Ø8X0.8 FOR SHAFT
33	71393600	2	KNEE JOINT
34	81353800	4	SEEGER RING
35	71392600	1	LIFTING FORK LEFT
36	81367200	4	SCREW M6X16 FE/ZN HEX
37	80386200	4	WASHER M6 SPRING
38	80506500	4	NUT M6
39	81404300	16	DISC SPRING
40	71394900	1	NUT PLATE
41	71393701	1	SCREEN LEFT
42	71426100	1	STOP FOR LEG LEFT
43	80386200	4	WASHER M6 SPRING
45	71393801	1	SCREEN RIGHT
46	71394900	1	NUT PLATE
48	L08182700	2	RING D 22 SP.1.75 UNI7436
49	L03087000	2	RING
50	L03085800	2	WASHER
51	L03085600	2	WHEEL FOR GB933
52	L03085500	2	BUSH
53	L03087000	2	RING

Chassis

GB 1133

10-02-2015

Part List ID
G10915

7

Pos	Part no.	Qty	Description
54	L03085400	2	PLATE
55	81736400	4	STAR WASHER M5
56	81958300	4	SCREW

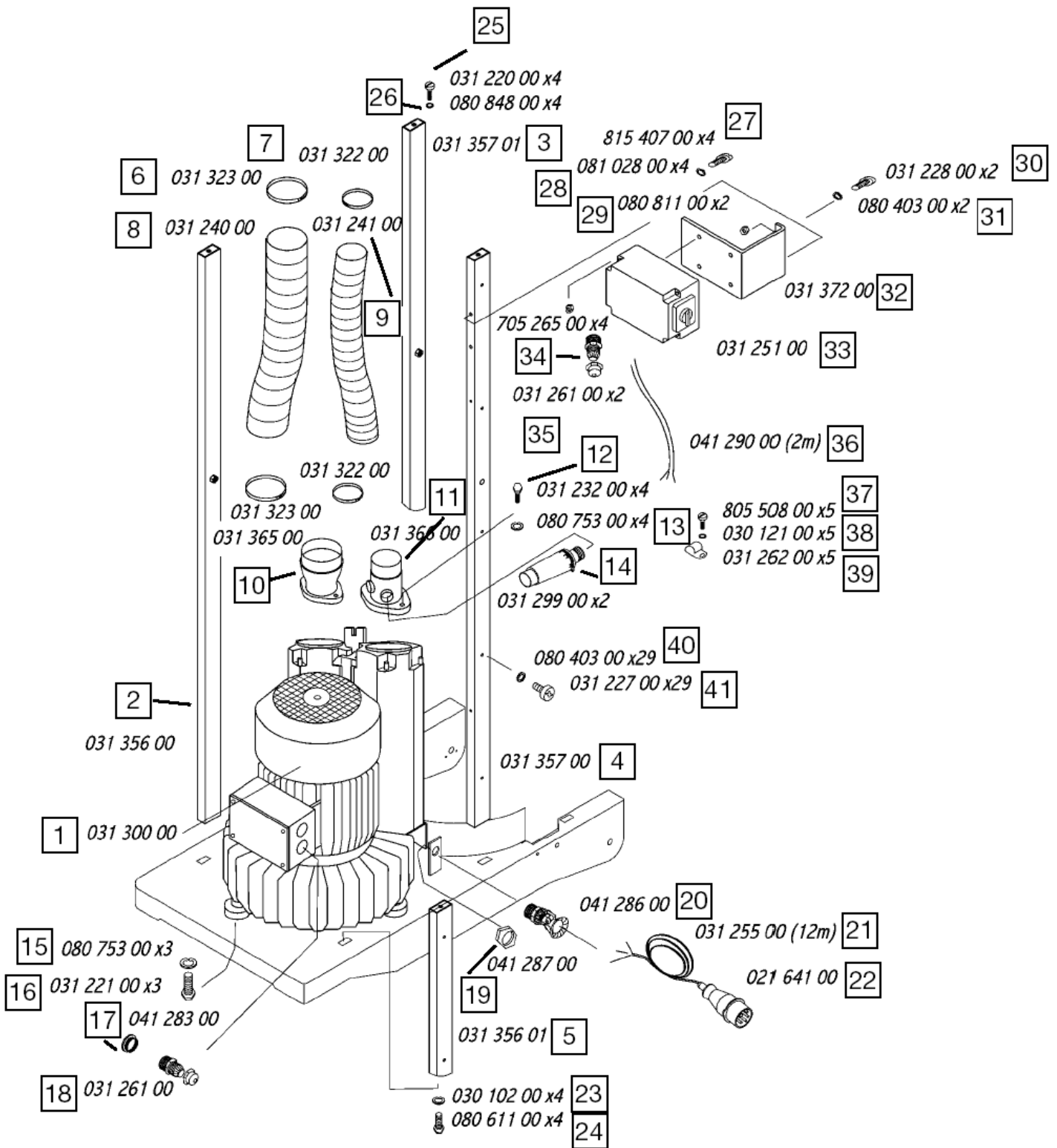
Compressor and electrical components

GB 1133

10-02-2015

Part List ID
G10917

8



Compressor and electrical components

GB 1133

10-02-2015

Part List ID

G10917

9

Pos	Part no.	Qty	Description
1	L03130000	1	CONDENSER 13 KW CPL.
8	L03124000	1	EXHAUST AIR CONNECT. HOSE
9	L03124100	1	SUCTION CONNECTION HOSE
13	L08075300	1	WASHER
14	L03129900	1	PRESSURE RELIEF VALVE
15	L08075300	1	WASHER
23	80386100	1	WASHER M8 SPRING
24	L08062600	1	GEAR BOX
26	L08084800	4	DISK A 8.4 A2
27	81540700	4	SCREW M4X10 PAN HEAD
28	33005862	4	WASHER M4 UNI8842A
29	L08081100	2	NUT C38
31	L08040300	2	WASHER C38
33	L03125100	1	STAR DELTA SWITCH
34	70526500	4	NUT-BRASS M4 HEX
37	80550800	5	SCREW M4X8 MACHINE
40	L08040300	29	WASHER C38

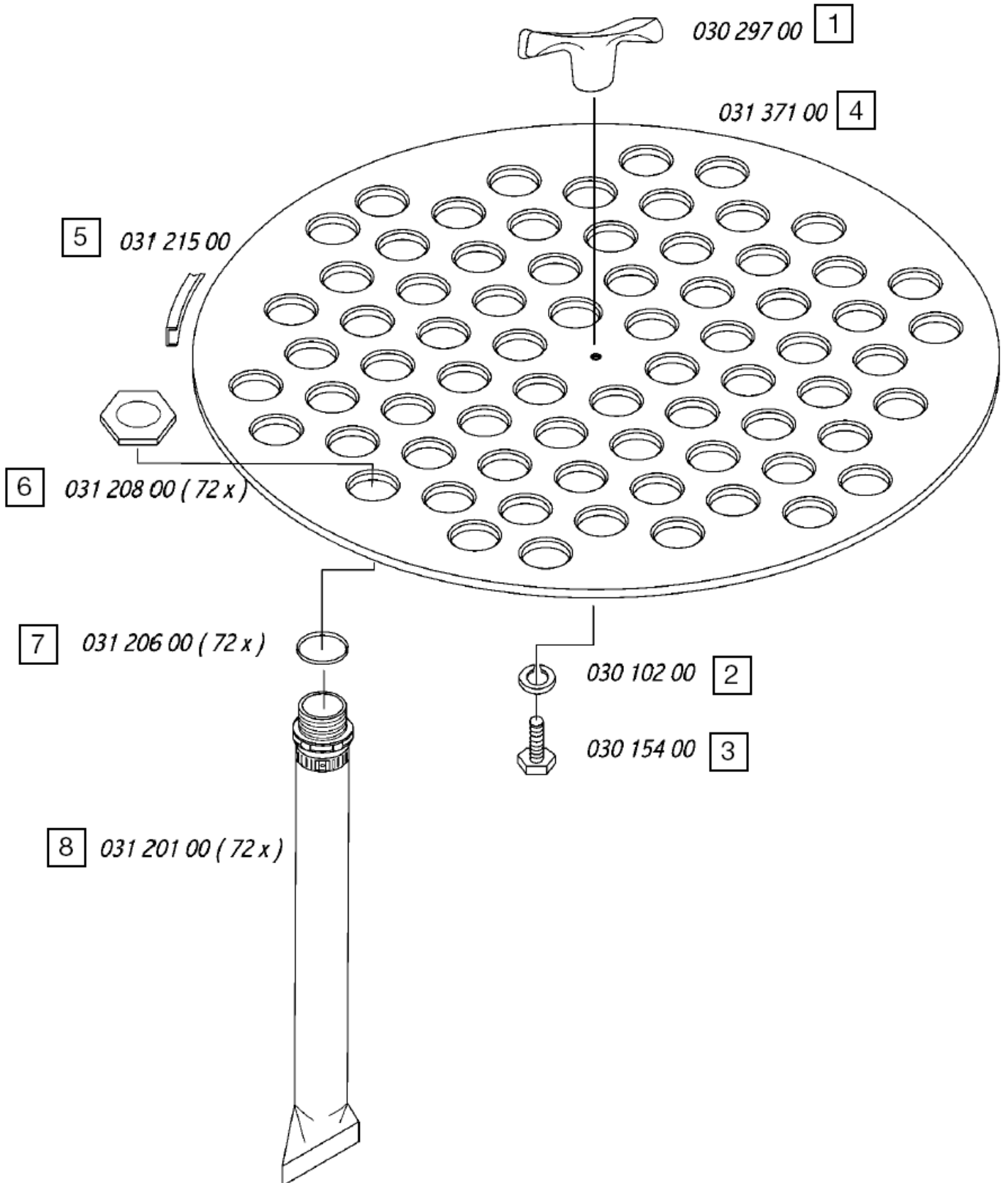
Filter unit

GB 1133

10-02-2015

Part List ID
G10919

10



Filter unit

GB 1133

10-02-2015

Part List ID
G10919

11

Pos	Part no.	Qty	Description
1	22401500	1	FILTER SHAKER PARTS
2	80386100	1	WASHER M8 SPRING
5	L03121500	1	U-SEAL/METER
6	L03120800	1	NUT BRASS
7	L03120600	1	SEAL GB1133
8	L03120100	1	FILTER HOSE - SINGLE

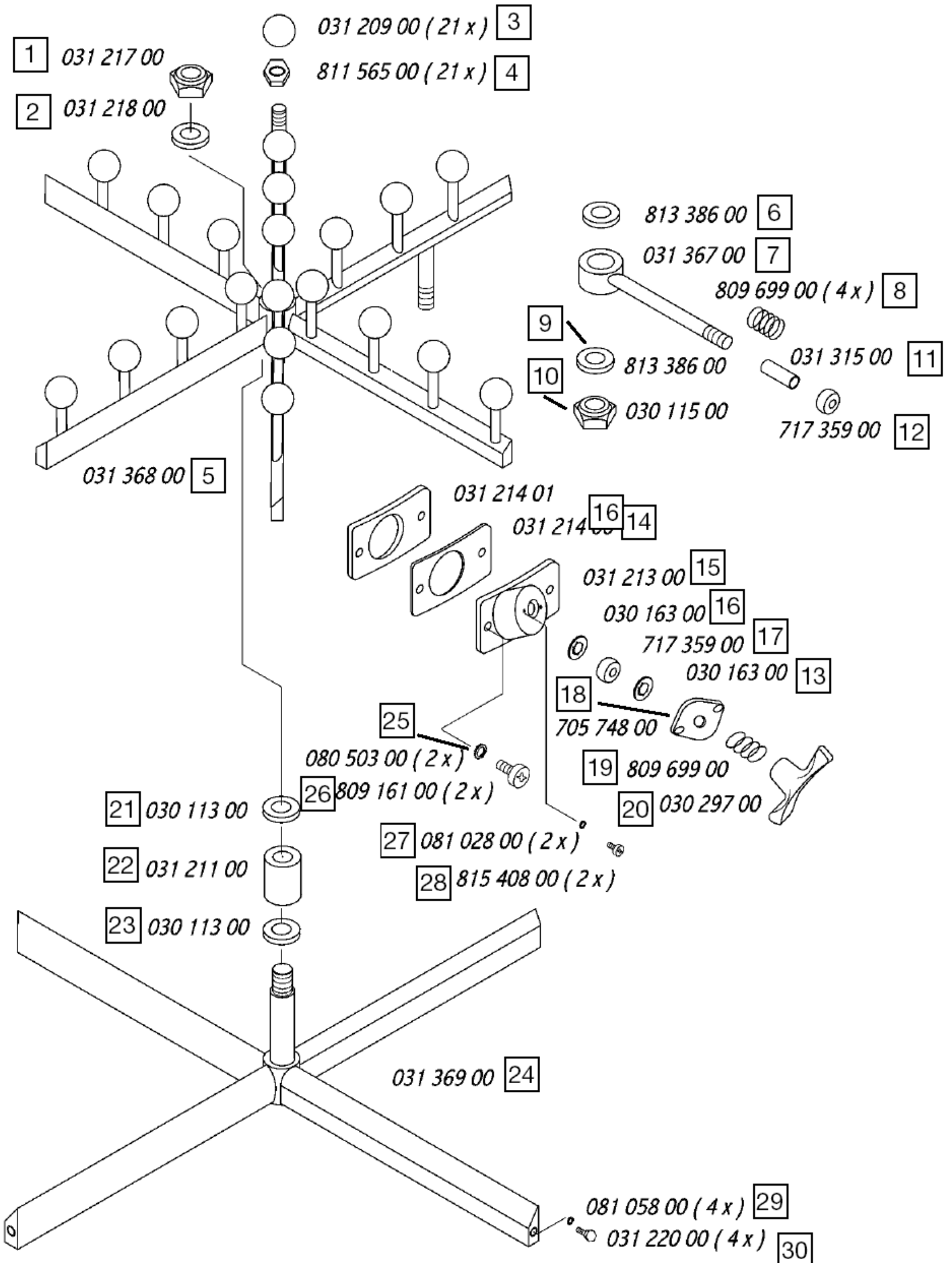
Shaker mechanism

10-02-2015

Part List ID
G109111

GB 1133

12



Shaker mechanism

GB 1133

10-02-2015

Part List ID
G109111

13

Pos	Part no.	Qty	Description
3	L03120900	1	BALL BUTTON
4	81156500	1	NUT M8
6	81338600	1	WASHER 10.5X25X2 FZB/ BN 737
7	L03136700	1	SHAKER ROD
8	80969900	1	SPRING
9	81338600	1	WASHER 10.5X25X2 FZB/ BN 737
12	71735900	1	SINTER BUSHING FOR SHAKER ST.GB
15	L03121300	1	SHAKING ROD CARRYING OUT
16	L03016300	1	WASHER GB1033
17	71735900	1	SINTER BUSHING FOR SHAKER ST.GB
18	70574800	1	2LATE 1033
19	80969900	1	SPRING
20	22401500	1	FILTER SHAKER PARTS
21	L02175600	1	ADJUSTMENT DISC
23	L02175600	1	ADJUSTMENT DISC
25	L08050300	1	FAN TYPE LOCK WASHER
26	80916100	1	S/S BY 81563200
27	33005862	1	WASHER M4 UNI8842A
28	81540800	1	SCREW M4X12 PAN HEAD

Transport flange

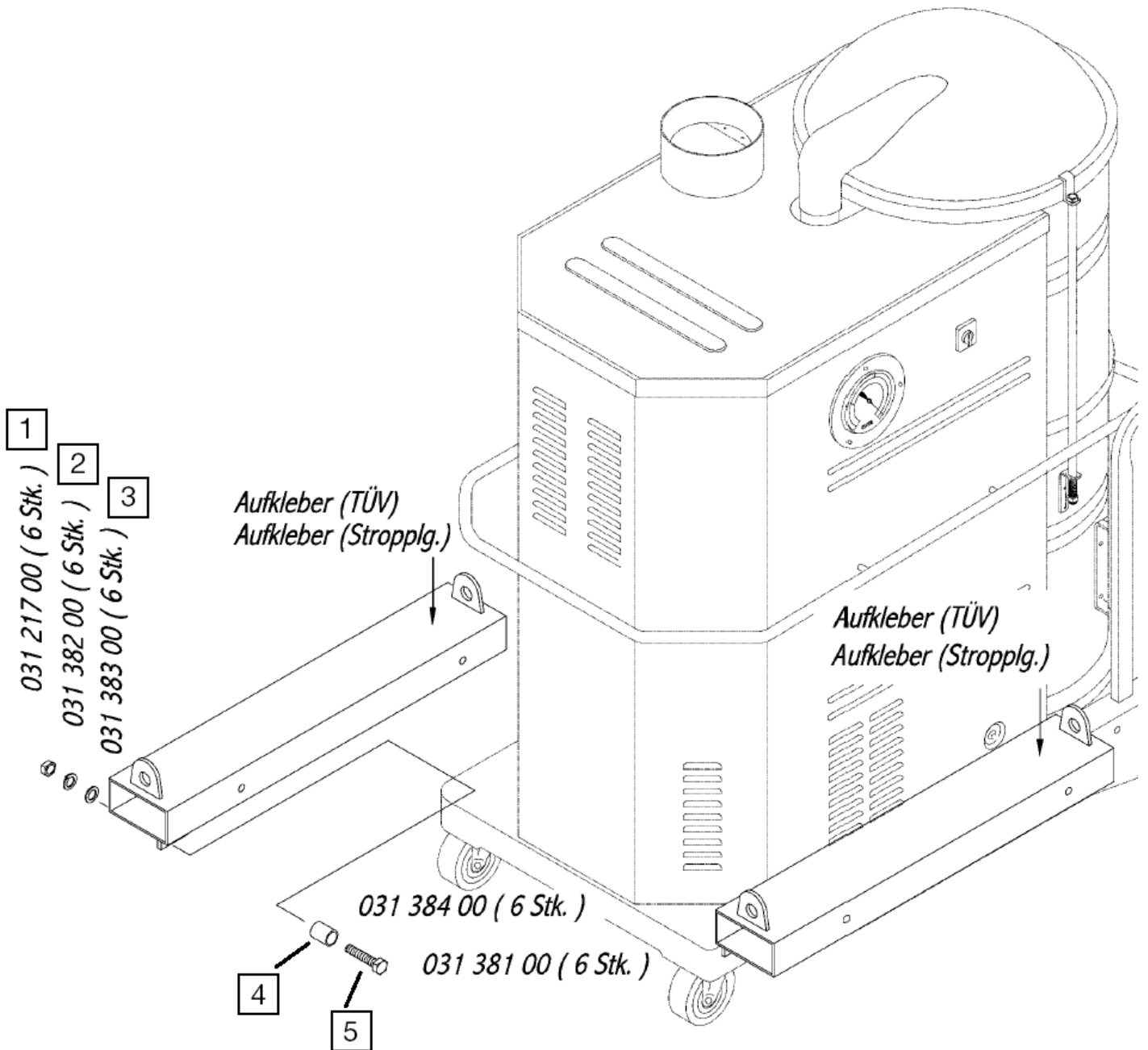
GB 1133

10-02-2015

Part List ID

G109113

14



Transport flange

GB 1133

10-02-2015

Part List ID
G109113

15

Pos	Part no.	Qty	Description
2	L03138200	1	DIFFUSER CARTRIDGE
3	L03138300	1	DIFUSER FOR GB 1233