

# GB 725

---

Model:  
GB 725  
GB 726 SAC VARIANTS



Part List US-English

06-02-2015

# Table of Contents

GB 725

<b>Motor and pulleys</b>	<b>3</b>
<b>Motor accessory</b>	<b>5</b>
<b>Fan parts</b>	<b>7</b>
<b>Container parts</b>	<b>9</b>
<b>Filter parts 1</b>	<b>11</b>
<b>Filter parts 2</b>	<b>13</b>
<b>Trolley</b>	<b>15</b>
<b>Exhaust filter, parts</b>	<b>17</b>
<b>Manometers</b>	<b>19</b>
<b>Tool box, sound suppressor</b>	<b>21</b>
<b>Dust bag system</b>	<b>23</b>
<b>Hoses, connections and tubes 50 mm</b>	<b>25</b>
<b>Nozzles 50 mm</b>	<b>28</b>
<b>Hose connection diagram steel/brass bayonet 38 mm</b>	<b>34</b>
<b>Nozzles 38 mm</b>	<b>37</b>
<b>Nozzles 50 mm</b>	<b>42</b>
<b>Nozzles 38 mm</b>	<b>49</b>
<b>For custom hose length 100-70-50 mm</b>	<b>54</b>

# Motor and pulleys

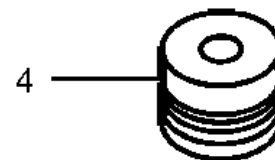
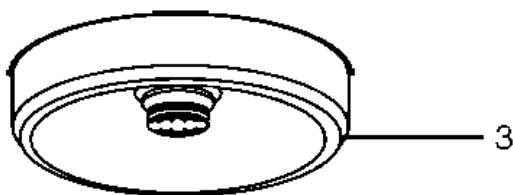
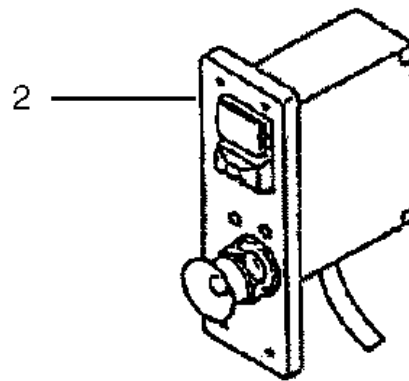
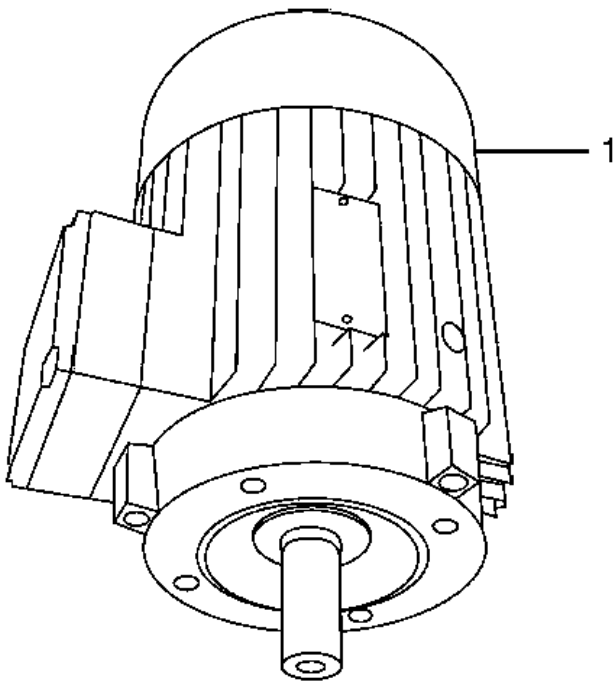
GB 725

06-02-2015

Part List ID  
GX5332

3

Motor Connection						
AC Frequency Hz	50			60		
Voltage 3-Phase	200-208	220-240	380-415	200-230	380-415	440-480
Circuit D/Y	D	D	Y	D	Y	Y
Motor terminal board						
Release Current Amp.	9.3	8.1	4.7	9.0	4.6	4.6
1— Motor 3-phase	31583504	31583502	31583502	31583504	31583502	31583502
2— Motor Protection	21782002	21782003	21782006	21782008	21782009	21782007
3— Pulley f. motor	82414700	82414700	82414700	82414800	82414800	82414800
4— Pulley f. Turbine	82414900	82414900	82414900	82415000	82415000	82415000



# Motor and pulleys

GB 725

06-02-2015

Part List ID

GX533Z

4

Pos	Part no.	Qty	Description
1	31583504	1	MOTOR 2.2KW 3-PH 200-208V
1	82192202	1	MOTOR 2.2KW 3-PH 380-415V REPLACES 31583502
2	21782006	1	MOTOR PROTECTOR COMPLETE
3	82116000	1	PULLEY WHEEL FOR 60HZ
3	82414700	1	PULLEY WHEEL 207MM FOR 50HZ
3	82414800	1	PULLEY WHEEL 202MM FOR 60HZ
4	81903500	1	PULLEY WHEEL 66MM 60HZ GB-TUR
4	82414900	1	PULLEY WHEEL 56MM 50HZ GB-TUR
4	82415000	1	PULLEY WHEEL 66MM 60HZ GB-TUR

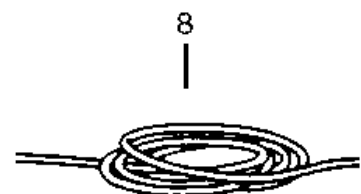
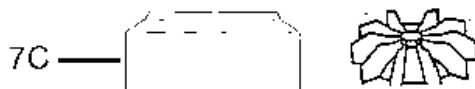
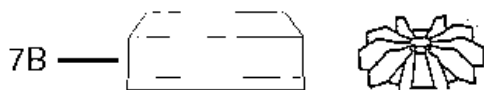
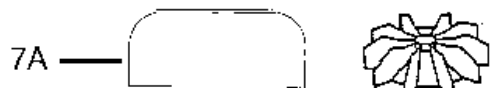
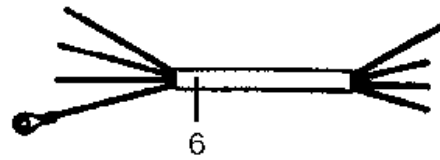
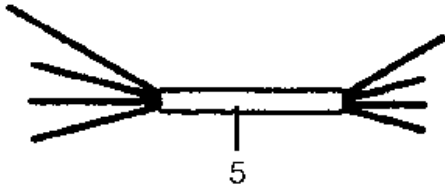
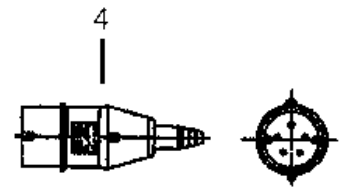
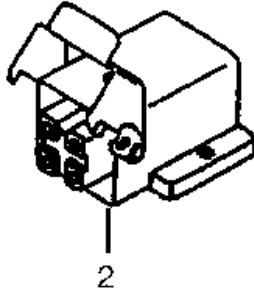
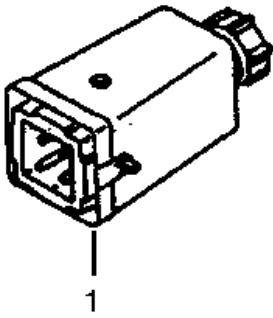
# Motor accessory

GB 725

06-02-2015

Part List ID  
GX5334

5



# Motor accessory

GB 725

06-02-2015

Part List ID

GX5334

6

Pos	Part no.	Qty	Description
1	81835600	1	MULTIPLUG
2	81835700	1	FLEX CONNECTOR GB725
4	81569601	1	PLUG CEE 16AMP
5	71782400	1	MOTOR CABLE
6	81850500	1	CABLE
8	61915901	1	POWER CABLE FOR GB 20MTR
7A	21682500	1	SPARE PARTS SET GB/VB733
7B	21682501	1	SPARE PARTS SET GB/VB733
7C	21682502	1	FAN+COVER FOR 2.2KW MEZ

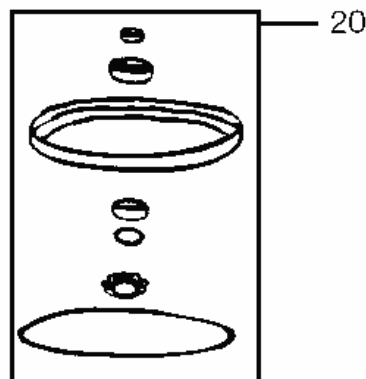
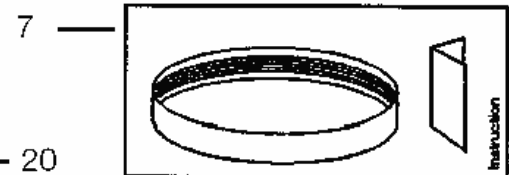
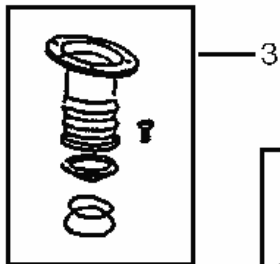
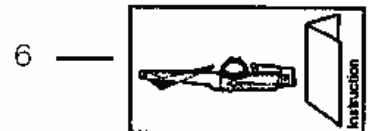
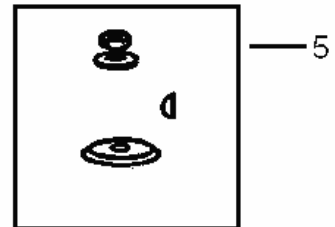
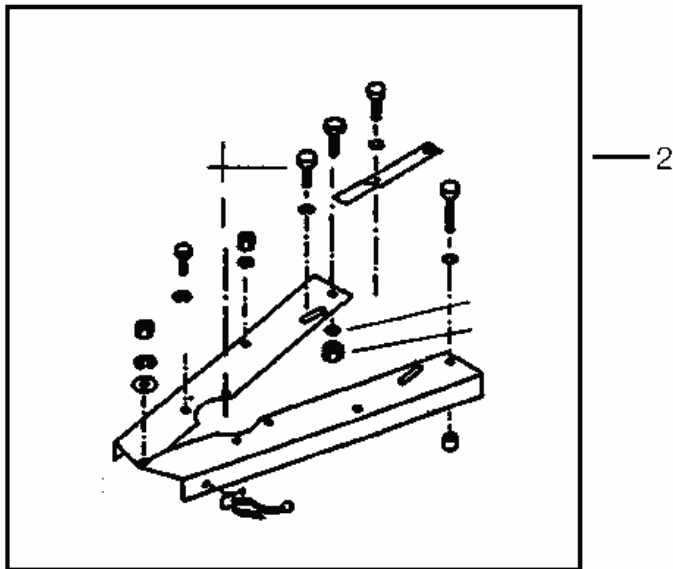
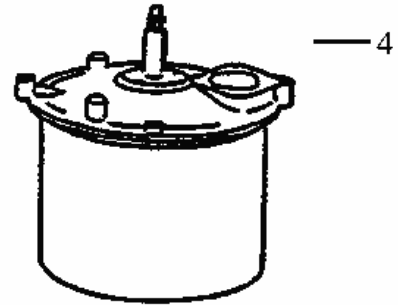
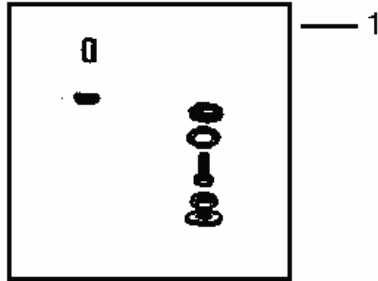
# Fan parts

GB 725

06-02-2015

Part List ID  
GX5337

7



# Fan parts

GB 725

06-02-2015

Part List ID

GX5337

8

Pos	Part no.	Qty	Description
1	22414300	1	SPACER WASHER FOR PULLEY WHEEL
2	22416900	1	MOT. TURB. BRACKET GB 726/72
3	22414400	1	BRACKET FOR GB-TURBINE
4	21687200	1	FAN GROUP GB-VB
5	22414500	1	WASHER FOR GB-TURBINE
6	22242400	1	OPTIBELT MEASURING KIT
7	22416800	1	DRIVE BELT FOR GB 726/826
20	20705700	1	BEARINGS AND RUBBER PARTS FOR



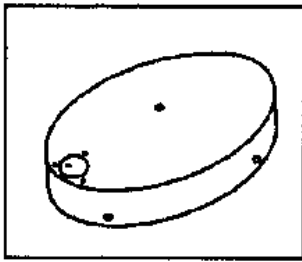
# Container parts

GB 725

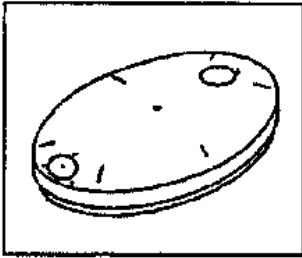
06-02-2015

Part List ID  
GX5339

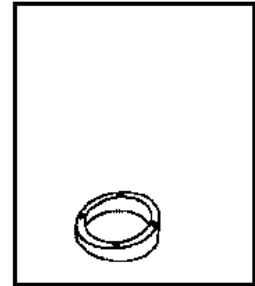
9



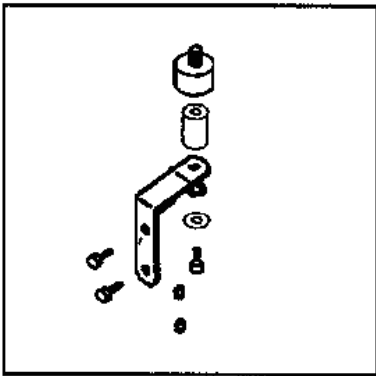
1



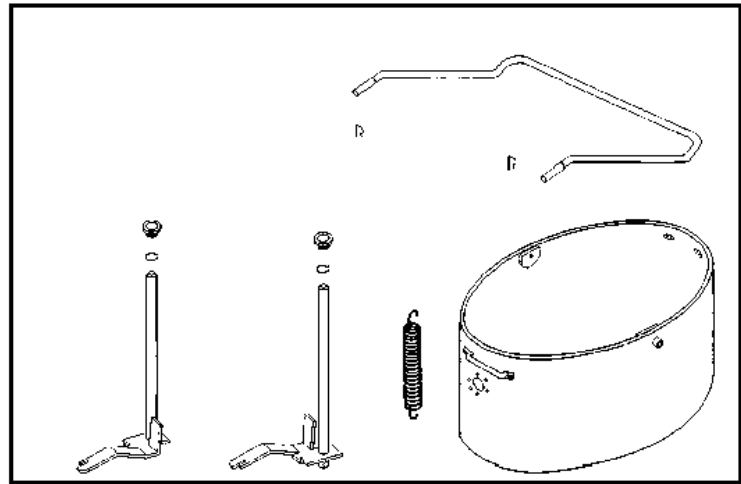
2



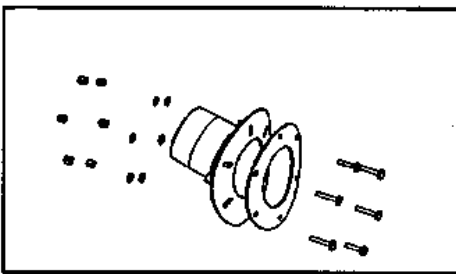
9



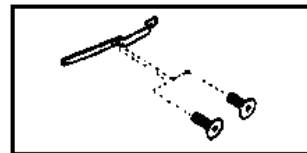
3



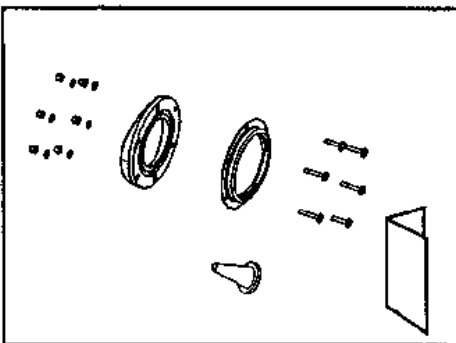
13



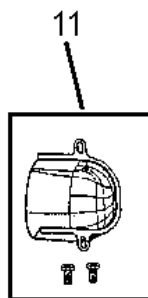
4



15



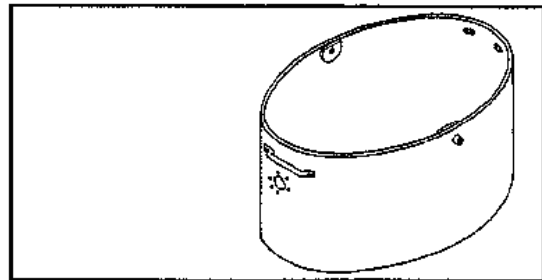
5



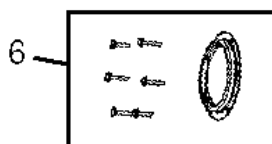
11



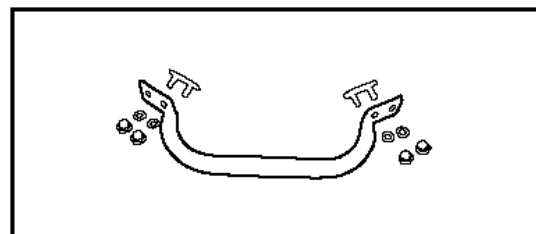
7



12



6



14

# Container parts

GB 725

06-02-2015

Part List ID

GX5339

10

Pos	Part no.	Qty	Description	
1	22391800	1	SILENCER KIT SET FOR GB 726/GB 826	
2	21996000	1	COVER - KIT	
3	32214000	1	VIBRATION DAMPER FOR GB 726	
4	21582901	1	INLET FOR DUST BAG	
5	32211201	1	BAYONET COUPLING 50 MM FOR DUST	
6	22386500	1	BAYONET RING FOR INLET 50MM	
7	71653000	1	SEALING RING FOR HOLDER	
9	L04022000	1	EXHAUST GAS EXTENSION	
11	71712801	1	DEFLECTOR IN SS	
12	32208700	1	HOLDER BOTTOM	
13	32214400	1	CONVERSION SET FOR LIFT. ARM	SEE TSB
14	22420700	1	HANDLE	
15	22421100	1	LØFTEBESLAG	

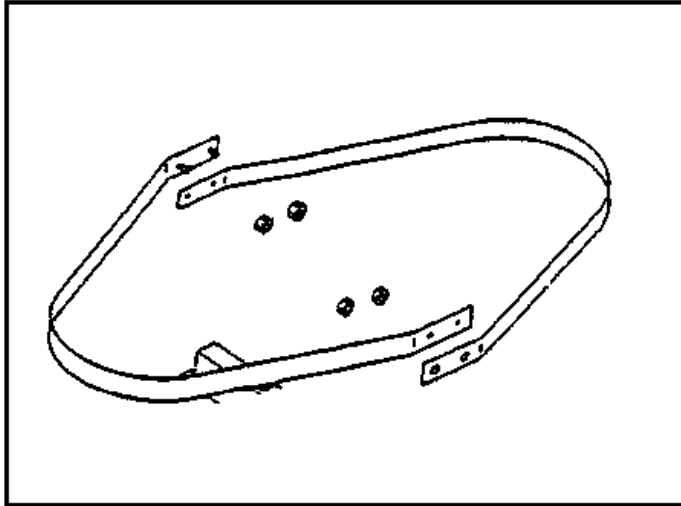
# Filter parts 1

GB 725

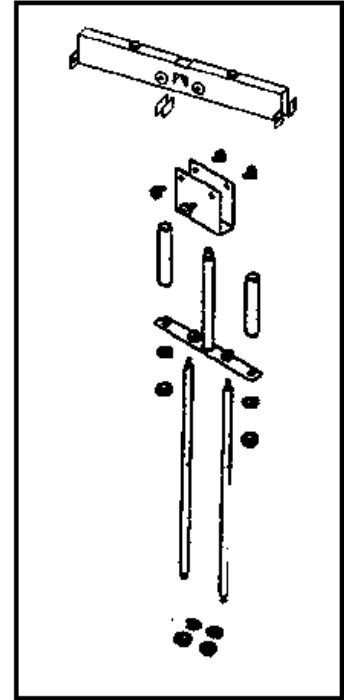
06-02-2015

Part List ID  
GX53310

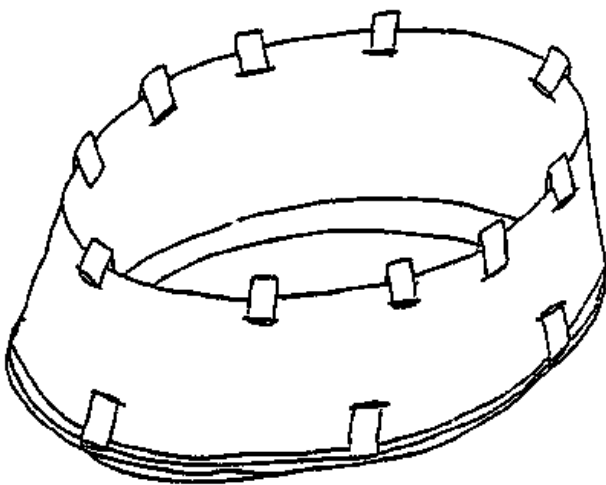
11



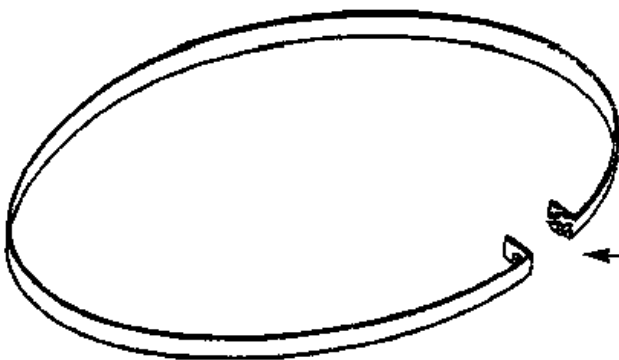
3



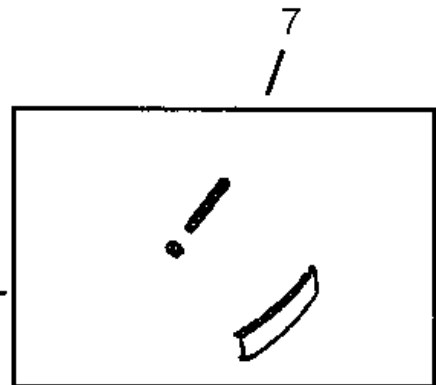
4



5



6



7

# Filter parts 1

GB 725

06-02-2015

Part List ID  
GX53310

12

Pos	Part no.	Qty	Description
3	22416500	1	FILTER SHAKER PARTS
4	22416100	2	FILTER SHAKER PARTS
5	61341301	1	FILTER COTTON 0.66M2
5	61909200	1	FILTER GORE TEX 0.66M2
5	62048200	1	FILTER GORE TEX NO-STAT. 0.66M2
5	82243200	1	FILTER NOMEX 0.66M2
6	22416000	1	FILTER RING WITH EARTH STRAP
7	32210800	1	FILTER RING BRACKET KIT SET

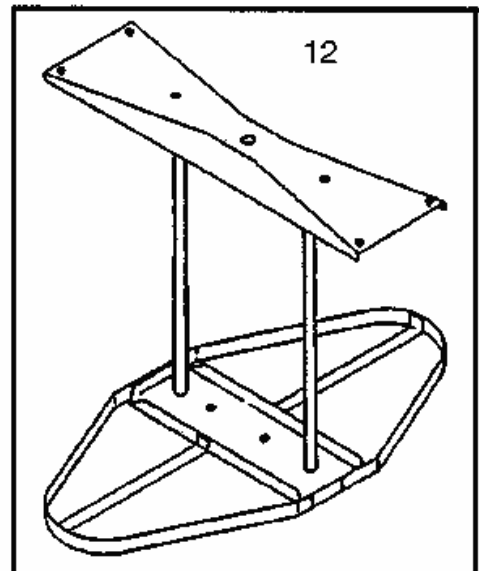
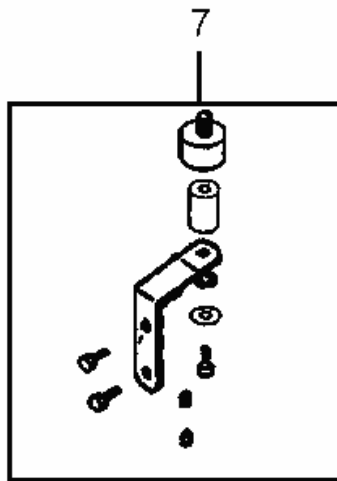
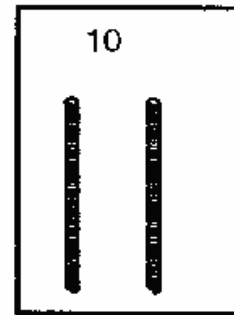
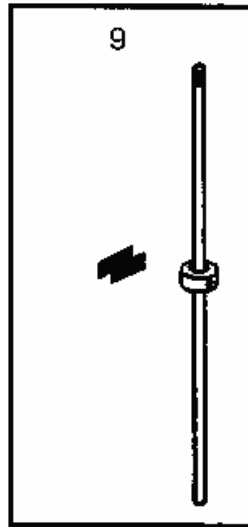
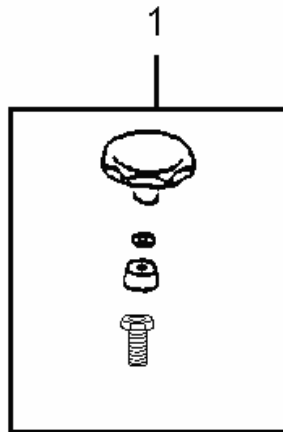
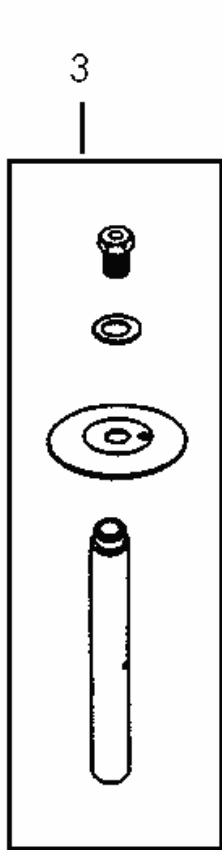
# Filter parts 2

GB 725

06-02-2015

Part List ID  
GX53313

13



# Filter parts 2

GB 725

06-02-2015

Part List ID

GX53313

14

Pos	Part no.	Qty	Description
1	22396801	1	SHAKER KNOB WITH NIPPLE KIT
3	22413800	1	SPACER BUSHING WITH NIPPLE
7	32214000	1	VIBRATION DAMPER FOR GB 726
9	32213900	1	SHAKER ROD 726-U.KIT SET
10	32212600	1	SPRING FOR SHAKER MECH. KIT SET
12	22322600	1	KIT CROSS-BRACING FILTER

# Trolley

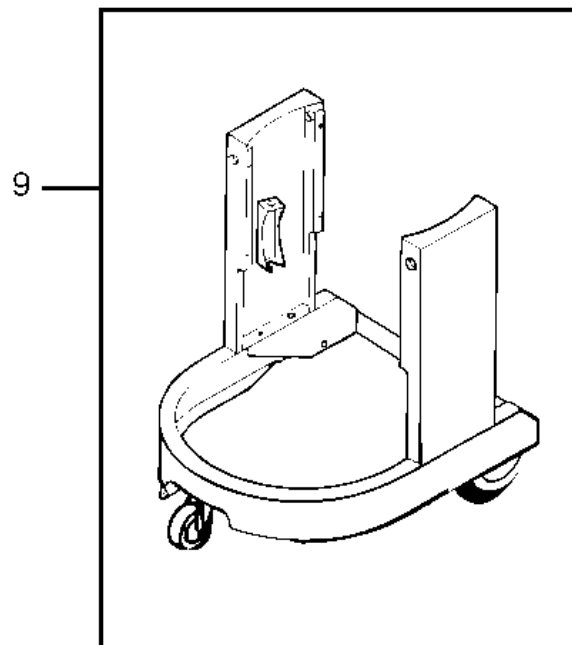
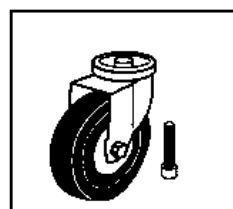
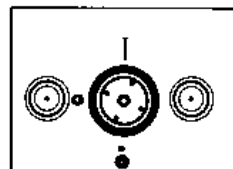
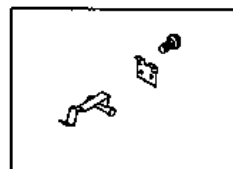
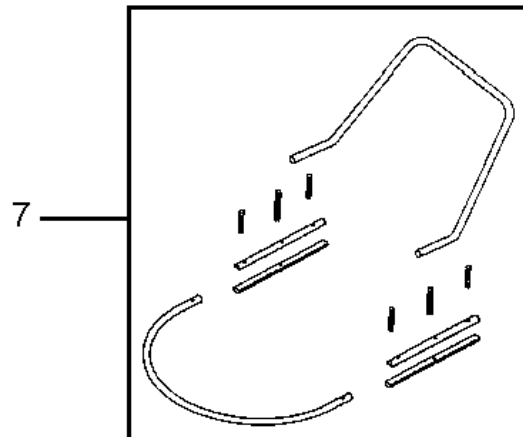
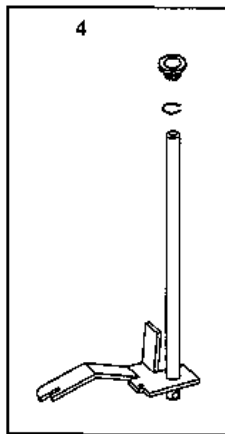
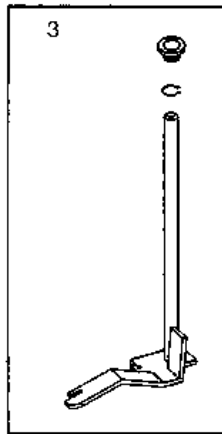
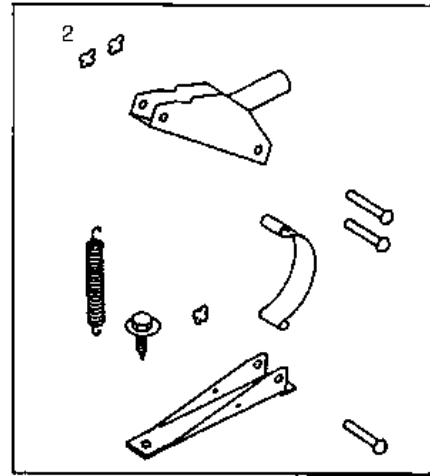
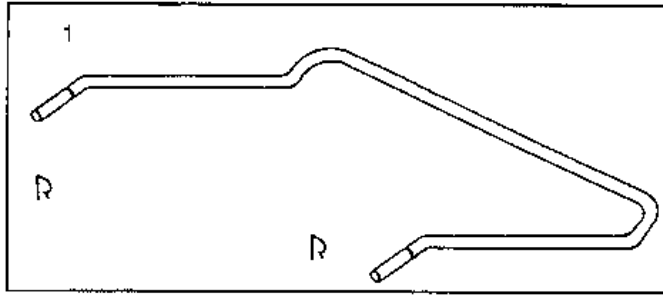
GB 725

06-02-2015

Part List ID

GX53314

15



# Trolley

GB 725

06-02-2015

Part List ID  
GX53314

16

Pos	Part no.	Qty	Description
1	32213200	1	LEG FOR DUST HOLDER
2	32213400	1	ROCKER LEVER
3	32213000	1	CAMSHAFT LEFT KIT
4	32212800	1	CAMSHAFT RIGHT KIT
5	22416600	1	SPRING
6	22416700	1	SPRING ARM
7	22416200	1	HANDLE FRONT AND REAR
8	22416300	1	HOLDER FOR HOLDER NOZZLE
9	22416400	1	CARRIAGE FRAME
10	32213800	1	FIXED WHEEL FOR CARRIAGE FRAME
11	32213600	1	JOCKEY WHEEL FOR CARRIAGE FRAM



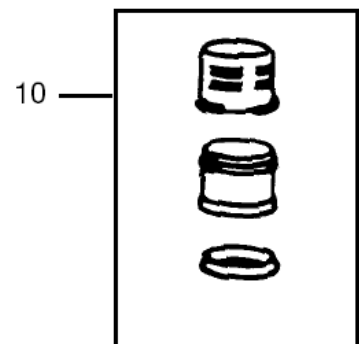
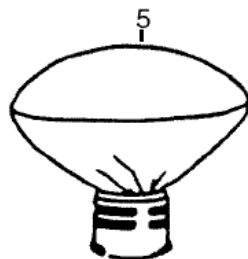
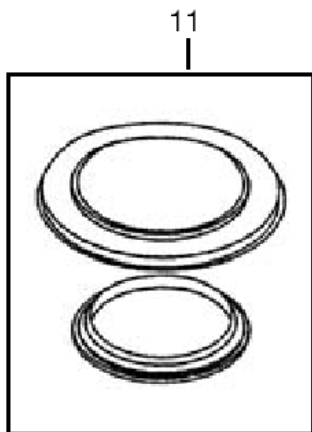
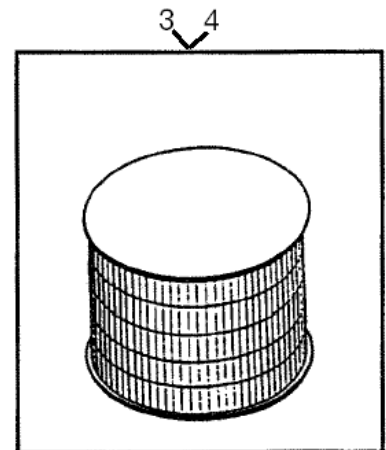
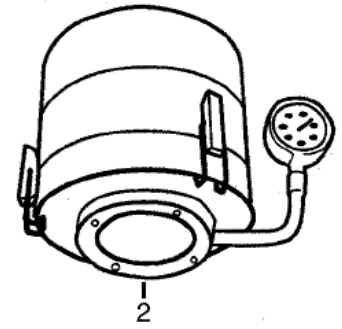
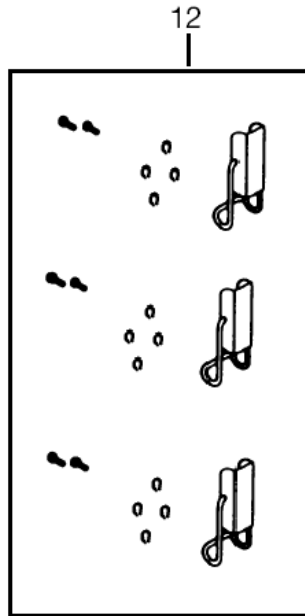
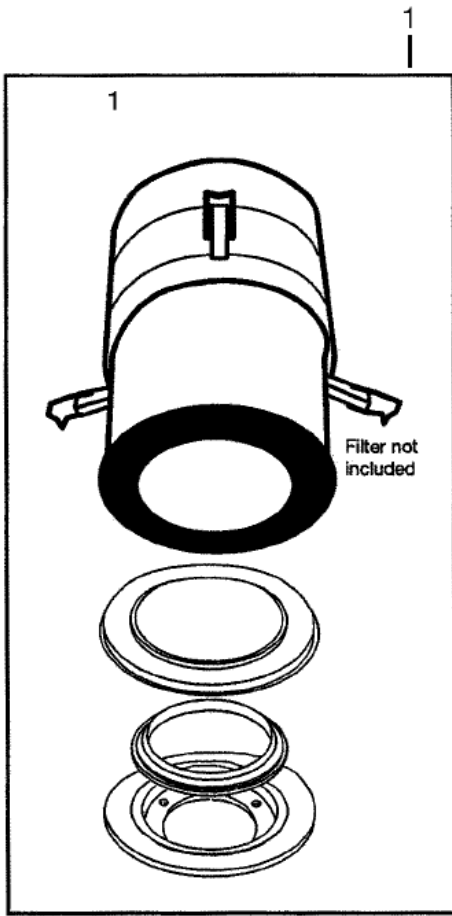
# Exhaust filter, parts

GB 725

06-02-2015

Part List ID  
GX53316

17



# Exhaust filter, parts

GB 725

06-02-2015

Part List ID

GX53316

18

Pos	Part no.	Qty	Description
1	11779500	1	EXHAUST FILTER HOLD. FOR- GB
2	22254300	1	HOLDER FOR EXHAUST FILTER-MANO
3	21778000	1	FILTER ELEMENT HEPA
3	21779000	1	FILTER ELEMENT ULPA
4	31228700	1	DIFFUSION FILTER BAG GB
10	22344200	1	SLEEVE
11	11779510	1	SEAL AND RETAINING PLATE FOR G
12	11779520	1	CLIPS FOR HEPA CASING GB

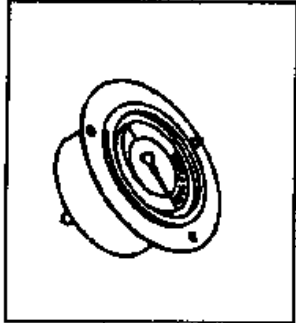
# Manometers

GB 725

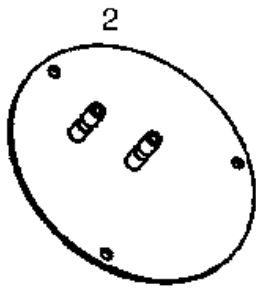
06-02-2015

Part List ID  
GX53318

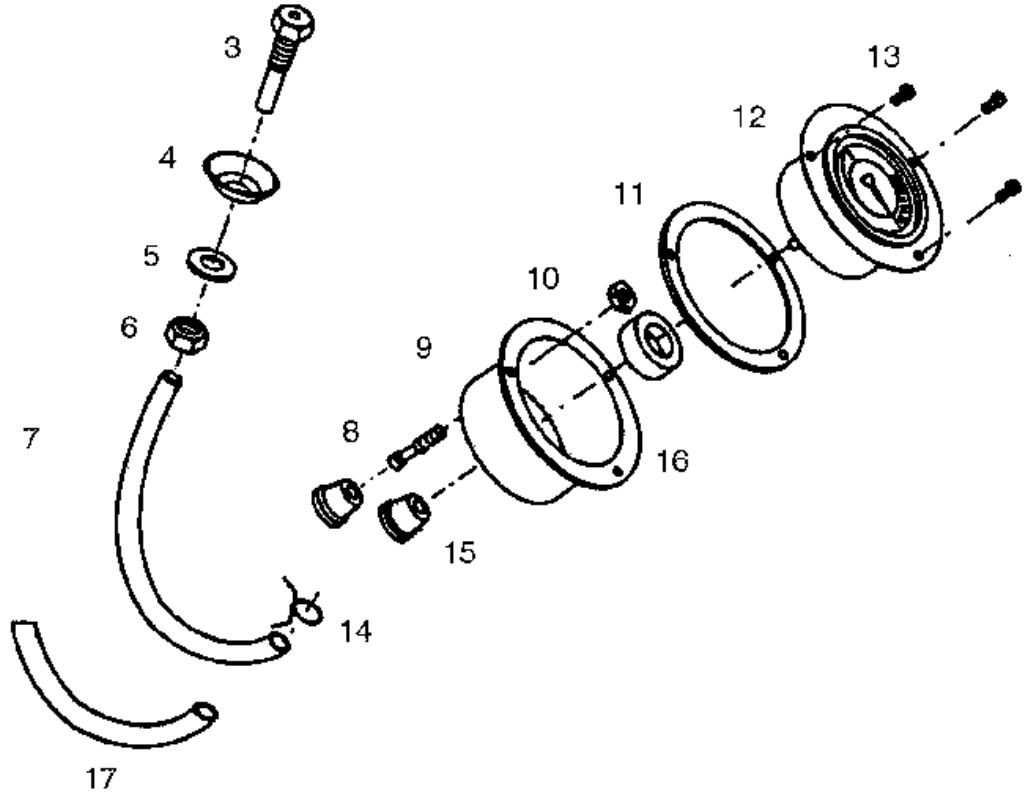
19



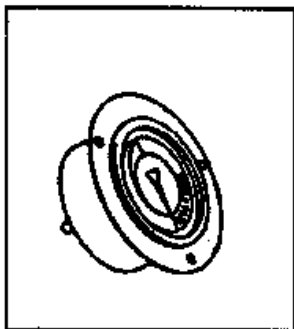
1



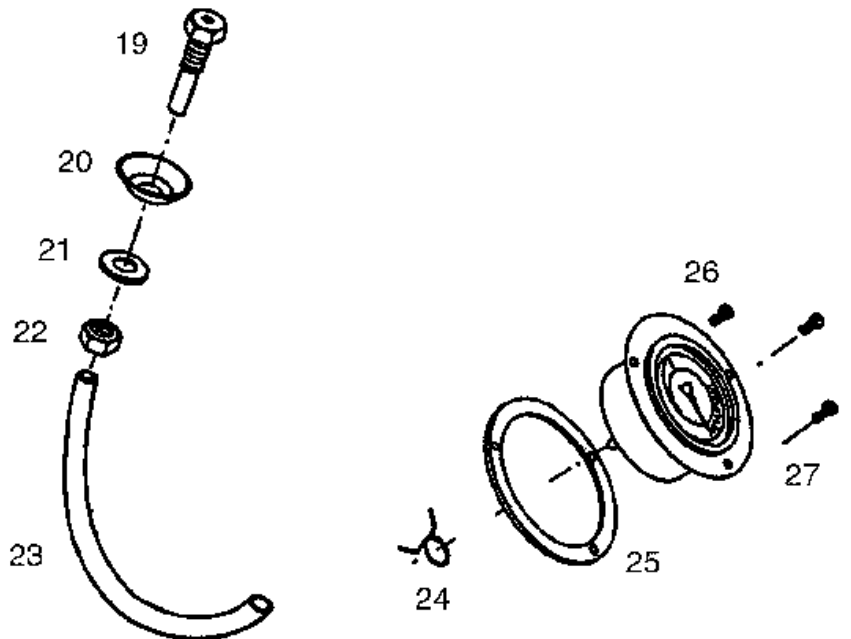
2



7



18



19

24

# Manometers

GB 725

06-02-2015

Part List ID  
GX53318

20

Pos	Part no.	Qty	Description
1	21657000	1	MANOMETER COMPLETE FOR GM625/G
2	82106900	1	COVER WITH HOSE CONNECTOR
3	81403900	1	AIR SCREW
4	71676900	1	FILTER WASHER
5	81500800	1	WASHER M8
6	81414200	1	MØTRIK M8
7	21657000	1	MANOMETER COMPLETE FOR GM625/G
8	71242400	1	PIPE
9	21657000	1	MANOMETER COMPLETE FOR GM625/G
10	81657400	1	NUT SPEC.
11	81517400	1	SEAL FOR MANOMETER
12	81657100	1	MANOMETER
13	81539500	3	SCREW M3X10 PAN HEAD
14	81735600	6	SELF-TENSIONING HOSE CLAMP
15	81255600	2	PLUG
16	21657000	1	MANOMETER COMPLETE FOR GM625/G
17	72115600	1	AIR HOSE
18	21839100	1	MANOM. COMPLETE GB725
19	81403900	1	AIR SCREW
20	71676900	1	FILTER WASHER
21	81500800	1	WASHER M8
22	81414200	1	MØTRIK M8
24	81735600	1	SELF-TENSIONING HOSE CLAMP
25	81517400	1	SEAL FOR MANOMETER
26	81835900	3	SCREW 2.9X9.5 PLATE TORX
27	81657100	1	MANOMETER

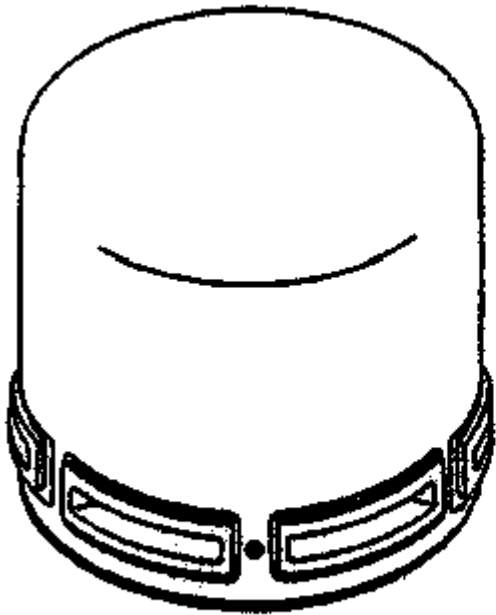
# Tool box, sound suppressor

GB 725

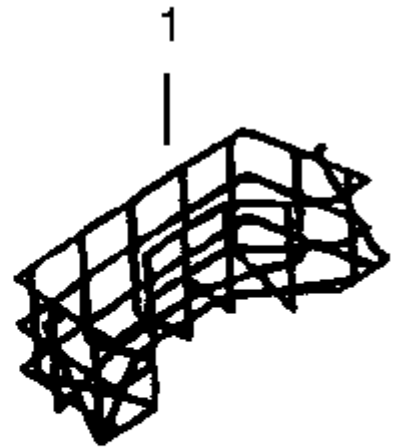
06-02-2015

Part List ID  
GX53320

21



1



1

# Tool box, sound suppressor

GB 725

06-02-2015

Part List ID

GX53320

22

Pos	Part no.	Qty	Description
1	81851200	1	ACCESSORIES BASKET GM625/GB725
2	31228700	1	DIFFUSION FILTER BAG GB

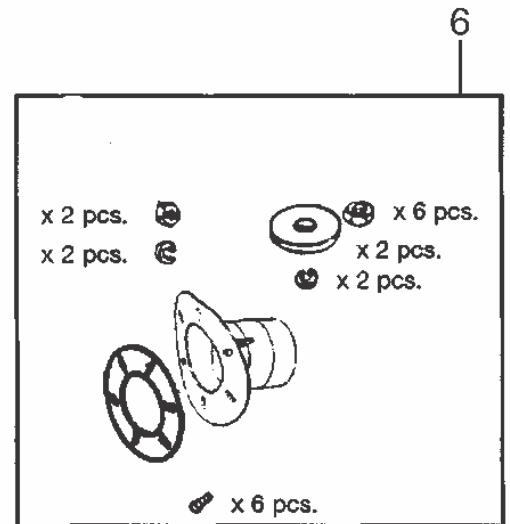
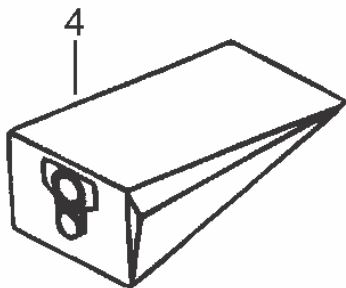
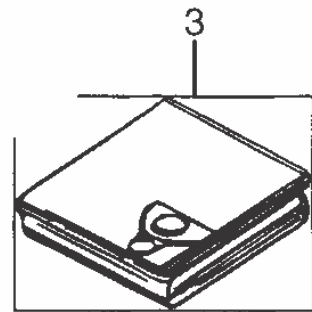
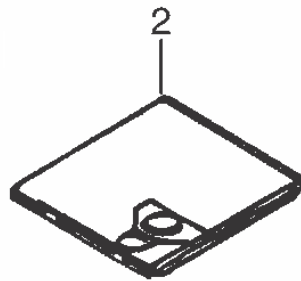
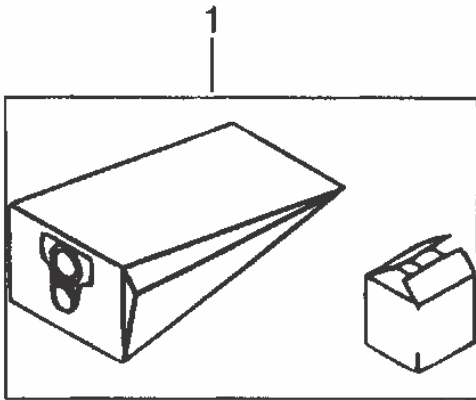
# Dust bag system

GB 725

06-02-2015

Part List ID  
GX53322

23



# Dust bag system

GB 725

06-02-2015

Part List ID

GX533Z2

24

Pos	Part no.	Qty	Description
1	11852800	1	DUST BAG SYSTEM 625-725
2	21695400	1	PLASTIC DUST BAG 46L
3	81584000	1	5PCS PAPER BAGS GS82
4	81584000	1	5PCS PAPER BAGS GS82
6	21582901	1	INLET FOR DUST BAG



# Hoses, connections and tubes 50 mm

06-02-2015

Part List ID  
GX53327

25

GB 725

GM 625  
GM 626

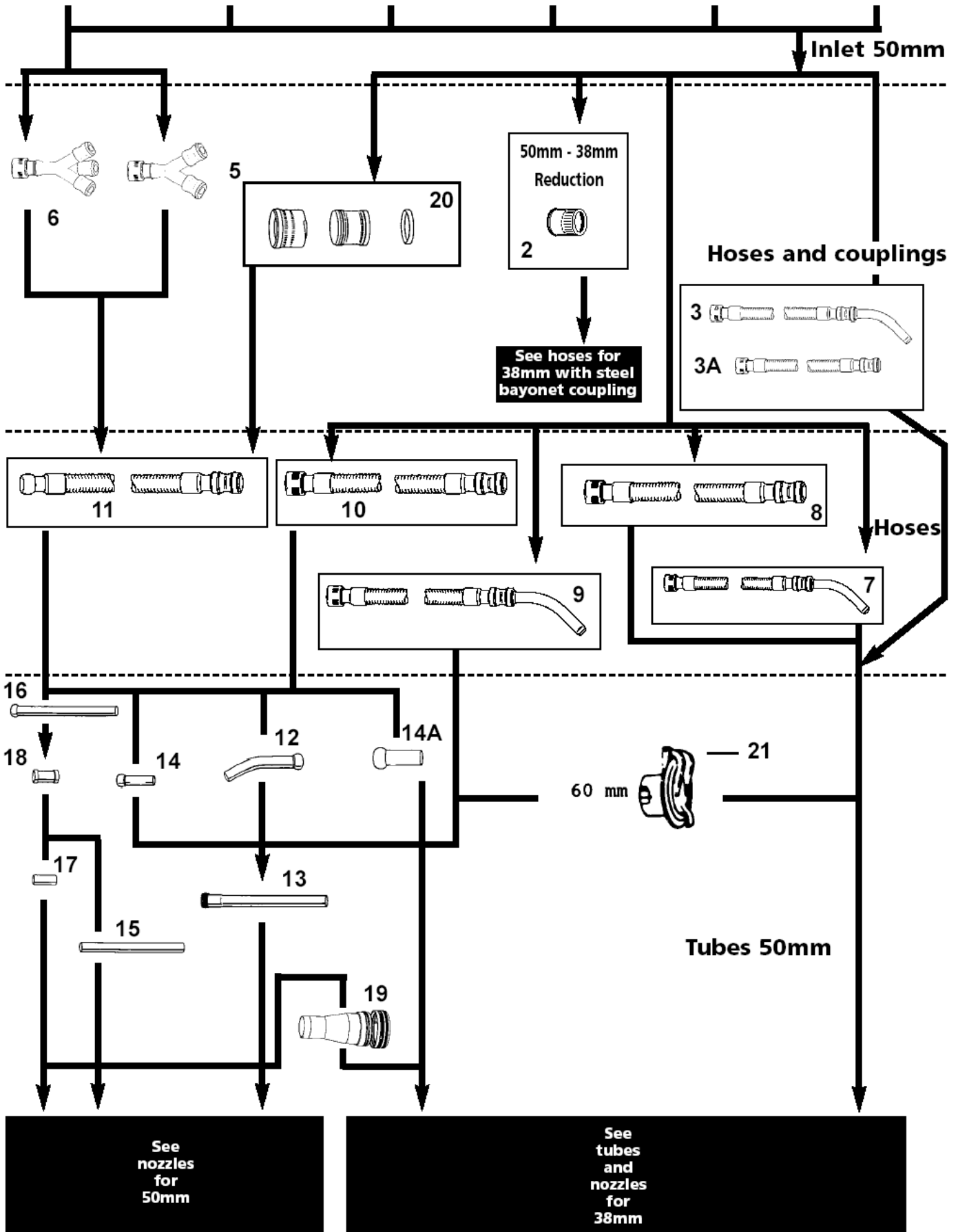
GS/GM 82

GS/GM 83

GB 726  
GB 826  
GB 725

GB 833

2050



# Hoses, connections and tubes 50 mm

GB 725

06-02-2015

Part List ID  
GX53327

26

Pos	Part no.	Qty	Description
2	10960900	1	BAYONET REDUCTION D50/38
3	11605200	1	HOSE 50/38 2.6M COMPLETE.
5	L02150900	1	FORK Ø50/2XØ50 MD
6	L02151000	1	FORK Ø50/3XØ50 MD
7	12167700	1	HOSE 38 PUR PIPE+50MMBAY.
8	82184700	1	HOSE 38MM PUR NOZZLE+50 BAY.
9	11382000	1	2M X 50MM RUBBER HOSE W/ STEEL CURVED TU
9	11382100	1	3M X 50MM RUBBER HOSE W/ STEEL CURVED TU
9	11604000	1	HOSE 50MM/3M PLAST. BAY. +PIPE
9	12167200	1	HOSE 50/3M PUR COMPLETE
9	12248000	1	HOSE 50/2M CON. COMPLETE
9	12248200	1	HOSE 50/3M CON. COMPLETE
9	12248400	1	HOSE 50/5M CON. COMPLETE
9	12248600	1	HOSE 50/10M CON COMPLETE
9	12292600	1	HOSE 50/2M OIL COMPLETE
9	12292800	1	HOSE 50/3M OIL COMPLETE
9	12293000	1	HOSE 50/5M OIL COMPLETE
9	12293200	1	HOSE 50/10M OIL COMPLETE
9	12331100	1	HOSE 50MM 2M COMPLETE
9	12331200	1	HOSE 50/5M COMPLETE
9	12331300	1	HOSE 50/10M COMPLETE
10	10624300	1	HOSE 50MM 2M RUBBER BAY.+SLEEVE.
10	10629800	1	HOSE 50MM/3M RUBBER BAY.+SLEEVE
10	12248100	1	HOSE 50/2M CON. BAYONET +NOZZLE
10	12248300	1	HOSE 50/3M CON.BAYONET +NOZZLE
10	12248500	1	HOSE 50/5M CON. BAYONET +NOZZLE
10	12248700	1	HOSE 50/10M CON. BAY.+SLEEVE
10	12256000	1	HOSE 50/2M PLAST. BAYONET +NOZZLE
10	12256200	1	HOSE 50/5M PLAST. BAYONET +NOZZLE
10	12256400	1	HOSE 50/10M PLAST. BAY.+SLEEVE
10	12292700	1	HOSE 50/2M OIL BAYONET +NOZZLE
10	12292900	1	HOSE 50/3M OIL BAY.0+NOZZLE
10	12293100	1	HOSE 50/5M OIL BAYONET +NOZZLE
10	12293300	1	HOSE 50/10M OIL BAY.+SLEEVE
10	21604200	1	HOSE 50MM/3M PLAST. BAY. +NOZZLE
10	82184600	1	HOSE 50/3M PUR BAYONET +NOZZLE
10	L00191493	1	SLANGE 50MM/10M GUM.KOMP.
10	L02156000	1	METAL HOSE Ø50/3M
11	10629700	1	HOSE 50MM/3M RUBBER BALL+SLEEVE
11	10696500	1	HOSE 50MM 2M RUBBER NOZZ. F+KU
11	31803200	1	HOSE 50 MM 3 M
11	32331400	1	HOSE 50/2M COMPLETE
11	32331500	1	HOSE 50/5M BALL+SLEEVE

# Hoses, connections and tubes 50 mm

GB 725

06-02-2015

Part List ID

GX53327

27

Pos	Part no.	Qty	Description
11	32331600	1	HOSE 50/10M PLAST. BALL+SLEEVE
11	82246201	1	HOSE 50/2M CON BALL+SLEEVE
11	82246301	1	HOSE 50/3M CON BALL+SLEEVE
11	82246401	1	HOSE 50/10M CON. BALL+SLEEVE
11	82246501	1	HOSE 50/5M CON. BALL+SLEEVE
11	82290501	1	HOSE 50/2M OIL BALL+SLEEVE
11	82290601	1	HOSE 50/3M OIL BALL+SLEEVE
11	82290701	1	HOSE 50/5M OIL BALL+SLEEVE
11	82290801	1	HOSE 50/10M OIL BALL+SLEEVE
11	82344900	1	HOSE 50/3M PUR BALL+SLEEVE 3M
11	L02156000	1	METAL HOSE Ø50/3M
12	10624400	1	BENT JUNCTION D50
13	10686400	1	STEEL HOSE MT1 D50
14	10645800	1	FITTING D50
15	80652700	1	ETRONITE PIPE 50MM 1000MM
16	80691600	1	ETRONITE PIPE 50MWITH 1M WITH BALL
17	80649300	1	ETRONITE PIPE 50MM L 120MM
18	80691300	1	PIPE JOINT
19	82294100	1	TRANSFER PIPE 38/50 COMPLETE.
20	22344200	1	SLEEVE
3A	11605500	1	HOSE 38/50 2.6 PL BA+SLEEVE.
14A	21317200	1	REDUCTION FITTING D50/38

# Nozzles 50 mm

GB 725

06-02-2015

Part List ID  
GX53329

28



See hoses connection diagram for 38mm

See hoses connection diagram for 50mm



45°  
11



12



13



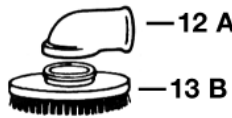
11 A

11 B



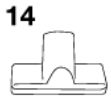
12 A

12 B



12 A

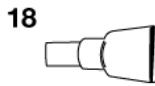
13 B



14



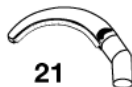
17



18



19



21



Wood

26

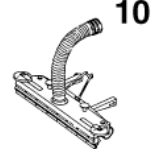
## Fixed floor nozzle



8



9



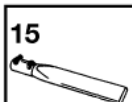
10

Ref. No	For models	Serial No.
11669000	GM 625	101 - 3434
11669000	GB 725	101 - 1002
11839000	GM 625	3435 -
11839000	GM 725	1003 -
11839000	GM 626/GM 726	1001 -
11839000	GB 826	1001 -

## Wooden nozzle for cleaning ovens



29



15



16

## Wood/plastic blades



22

## Plastic/Lips



22 A

## Wood/brush



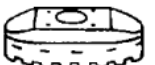
23

## Plastic/Brush



23 A

## Wood/plastic blades



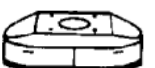
24

## Plastic/Lips



24 A

## Wood/brush



25

## Plastic/Brush



25 A

Nozzle Neck adjustable  
Neck material:  
-Rubber/Aluminium/  
Fe-Zn.  
-Silicone Rubber/  
Alu/Stainless Steel.



27

Nozzle with adjustable  
Neck  
Neck material:  
-Rubber/Aluminium/  
Fe-Zn.  
-Silicone Rubber/  
Alu/Stainless Steel.



31



32



33



34

Nozzle Neck adjustable  
& Lockable  
Neck material:  
-Rubber/Aluminium/  
Fe-Zn.  
-Silicone Rubber/  
Alu/Stainless Steel.



27

Nozzle with adjustable  
& Lockable Neck  
Neck material:  
-Rubber/Aluminium/  
Fe-Zn.  
-Silicone Rubber/  
Alu/Stainless Steel.



35



36



37



38

## Cones



4



5

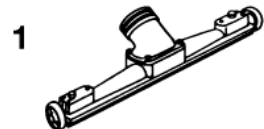


6

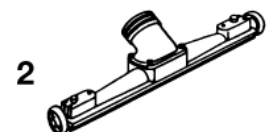


7

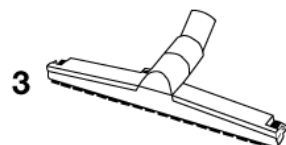
## Wheeled floor nozzle



1



2



3

# Nozzles 50 mm

GB 725

06-02-2015

Part List ID  
GX53329

29

Pos	Part no.	Qty	Description	
1	10915000	1	FLOOR NOZZLE 50 ALU. 400	
2	82226700	1	NOZZLE FLOOR 50MM IW2050	
3	82226700	1	NOZZLE FLOOR 50MM IW2050	
4	80650900	1	RUBBER CODE D50	
4	L02650900	1	BLACK CONE D50	
5	80691100	1	RUBBER CODE D50	
6	82167400	1	CONIC ACC D50	
7	80654600	1	PIPE RUBBER CONE D50	
10	11669000	1	FLOOR NOZZ. . 50MM 750MM	
10	11839000	1	NOZZLE.GM625/GB725 750MM	
11	10643200	1	ROUND BRUSH BLACK FOR 50MM 45°BRUSH 70MM	
14	L02122400	1	ALU. NOZZLE FOR MS83	
15	10643300	1	FLAT LANCE D50	
16	10654100	1	BRUSH FOR SHELF NOZZLE	
17	80640500	1	NOTCHED NOZZLE D50	GREY
17	80640501	1	NOTCHED NOZZLE D50	BLACK
18	82167300	1	FLAT NOZZLE D50	
18	L02122200	1	RUBBER NOZZLE D50	
19	L03058201	1	SUGEDYSE 50MM 40X250MM	
21	82191100	1	NOZZLE Ø50	BRUSH UP 100 MM
21	82191300	1	NOZZLE Ø50	BRUSH UP 200 MM
22	10674600	1	MUNDSTYKKE T.RØR 100MM ½	
22	10674700	1	MUNDSTYKKE T.RØR 200MM ½	
22	10674800	1	MUNDSTYKKE T RØR 300MM ½	
22	10674900	1	MUNDSTYKKE T.RØR 400MM ½	
22	10675000	1	MUNDSTYKKE T.RØR 600MM ½	
23	10657900	1	MUNDSTYKKE T.RØR 400MM ½	
23	10661600	1	MUNDSTYKKE T.RØR 200MM	
23	10666400	1	MUNDSTYKKE T.RØR 600MM ½	
23	42430900	1	NOZZLE PART WITH BRUSH GREY FOR PIPE CL	
23	42431100	1	FLOOR NOZZ PART WITH BRUSH GRE	
24	32430801	1	FLOOR NOZZ PART WITH RAIL DARK GRE	
25	10647300	1	BASE FLOOR NOZZ. 150MM WOOD	
25	10651600	1	BASE FLOOR NOZZ. 300MM WOOD	
25	42431600	1	NOZZLE PART WITH BRUSH GREY FLAT 300M	
26	10647500	1	MUNDSTYKKE	
27	10645000	1	SWIVEL TOP 50MM	
27	10645011	1	SWIVEL TOP 50MM ST. STEEL AND ALU. ST	
27	10645021	1	SWIVEL TOP LOCKABLE 50MM ST. STEE	
27	10645031	1	SWIVEL TOP 50MM FE/ZN-VERSION	
29	10662500	1	CARPET NOZZLE 50MM WD	
30	80971400	1	SLEEVE	
31	22431801	1	NOZZLE LIPS 50MM ST. STEEL FOR PIPE 100M	

# Nozzles 50 mm

GB 725

06-02-2015

Part List ID

GX53329

30

Pos	Part no.	Qty	Description
31	22431802	1	NOZZLE LIPS 50MM FE/ZN FOR PIPE 100MM BL
31	22431803	1	NOZZLE LIPS 50MM ST. STEEL FOR PIPE 100M
31	22431804	1	NOZZLE LIPS 50MM ST. STEEL FOR PIPE 100M
31	22431805	1	NOZZLE LIPS 50MM ST. STEEL FOR PIPE 100M
31	22431806	1	NOZZLE LIPS 50MM ST. STEEL FOR PIPE 100M
31	22431807	1	NOZZLE LIPS 50MM ST. STEEL FOR PIPE 100M
31	22431901	1	NOZZLE LIPS 50MM ST. STEEL FOR PIPE 200M
31	22431902	1	NOZZLE LIPS 50MM FE/ZN FOR PIPE 200MM BL
31	22431903	1	NOZZLE LIPS 50MM ST. STEEL FOR PIPE 200M
31	22431904	1	NOZZLE LIPS 50MM ST. STEEL FOR PIPE 200M
31	22431905	1	NOZZLE LIPS 50MM ST. STEEL FOR PIPE 200M
31	22431906	1	NOZZLE LIPS 50MM ST. STEEL FOR PIPE 200M
31	22431907	1	NOZZLE LIPS 50MM ST. STEEL FOR PIPE 200M
31	22432001	1	NOZZLE LIPS 50MM ST. STEEL FOR PIPE 300M
31	22432002	1	NOZZLE LIPS 50MM FE/ZN FOR PIPE 300MM BL
31	22432003	1	NOZZLE LIPS 50MM ST. STEEL FOR PIPE 300M
31	22432004	1	NOZZLE LIPS 50MM ST. STEEL FOR PIPE 300M
31	22432005	1	NOZZLE LIPS 50MM ST. STEEL FOR PIPE 300M
31	22432006	1	NOZZLE LIPS 50MM ST. STEEL FOR PIPE 300M
31	22432007	1	NOZZLE LIPS 50MM ST. STEEL FOR PIPE 300M
32	22432400	1	NOZZLE BRUSH50MM FE/ZN FOR PIPE 100MM G
32	22432401	1	NOZZLE BRUSH50MM ST. STEEL FOR PIPE 100M
32	22432402	1	NOZZLE BRUSH50MM FE/ZN FOR PIPE 100MM B
32	22432404	1	NOZZLE BRUSH50MM ST. STEEL FOR PIPE 100M
32	22432405	1	NOZZLE BRUSH50MM ST. STEEL FOR PIPE 100M
32	22432406	1	NOZZLE BRUSH50MM ST. STEEL FOR PIPE 100M
32	22432407	1	NOZZLE BRUSH50MM ST. STEEL FOR PIPE 100M
32	22432500	1	NOZZLE BRUSH50MM FE/ZN FOR PIPE 200MM G
32	22432501	1	NOZZLE BRUSH50MM ST. STEEL FOR PIPE 200M
32	22432502	1	NOZZLE BRUSH50MM FE/ZN FOR PIPE 200MM B
32	22432504	1	NOZZLE BRUSH50MM ST. STEEL FOR PIPE 200M
32	22432505	1	NOZZLE BRUSH50MM ST. STEEL FOR PIPE 200M
32	22432506	1	NOZZLE BRUSH50MM ST. STEEL FOR PIPE 200M
32	22432507	1	NOZZLE BRUSH50MM ST. STEEL FOR PIPE 200M
32	22432600	1	NOZZLE BRUSH50MM FE/ZN FOR PIPE 300MM G
32	22432601	1	NOZZLE BRUSH50MM ST. STEEL FOR PIPE 300M
32	22432602	1	NOZZLE BRUSH50MM FE/ZN FOR PIPE 300MM B
32	22432604	1	NOZZLE BRUSH50MM ST. STEEL FOR PIPE 300M
32	22432605	1	NOZZLE BRUSH50MM ST. STEEL FOR PIPE 300M
32	22432606	1	NOZZLE BRUSH50MM ST. STEEL FOR PIPE 300M
32	22432607	1	NOZZLE BRUSH50MM ST. STEEL FOR PIPE 300M
33	22432301	1	NOZZLE LIPS 50MM ST. STEEL FLAT 300MM D
33	22432302	1	NOZZLE LIPS 50MM FE/ZN FLAT 300MM BLAC

# Nozzles 50 mm

GB 725

06-02-2015

Part List ID

GX53329

31

Pos	Part no.	Qty	Description
33	22432303	1	NOZZLE LIPS 50MM ST. STEEL FLAT 300MM WH
33	22432304	1	NOZZLE LIPS 50MM ST. STEEL FLAT 300MM YE
33	22432305	1	NOZZLE LIPS 50MM ST. STEEL FLAT 300MM RE
33	22432306	1	NOZZLE LIPS 50MM ST. STEEL FLAT 300MM G
33	22432307	1	NOZZLE LIPS 50MM ST. STEEL FLAT 300MM BL
34	22432900	1	NOZZLE BRUSH50MM FE/ZN FLAT 300MM GREY
34	22432901	1	NOZZLE BRUSH50MM ST. STEEL FLAT 300MM D
34	22432902	1	NOZZLE BRUSH50MM FE/ZN FLAT 300MM BLAC
34	22432904	1	NOZZLE BRUSH50MM ST. STEEL FLAT 300MM YE
34	22432905	1	NOZZLE BRUSH50MM ST. STEEL FLAT 300MM R
34	22432906	1	NOZZLE BRUSH50MM ST. STEEL FLAT 300MM G
34	22432907	1	NOZZLE BRUSH50MM ST. STEEL FLAT 300MM B
35	22433101	1	NOZZLE LIPS 50MM ST. STEEL FOR PIPE 100M
35	22433102	1	NOZZLE LIPS 50MM FE/ZN FOR PIPE 100MM BL
35	22433103	1	NOZZLE LIPS 50MM ST. STEEL FOR PIPE 100M
35	22433104	1	NOZZLE LIPS 50MM ST. STEEL FOR PIPE 100M
35	22433105	1	NOZZLE LIPS 50MM ST. STEEL FOR PIPE 100M
35	22433106	1	NOZZLE LIPS 50MM ST. STEEL FOR PIPE 100M
35	22433107	1	NOZZLE LIPS 50MM ST. STEEL FOR PIPE 100M
35	22433201	1	NOZZLE LIPS 50MM ST. STEEL FOR PIPE 200M
35	22433202	1	NOZZLE LIPS 50MM FE/ZN FOR PIPE 200MM BL
35	22433203	1	NOZZLE LIPS 50MM ST. STEEL FOR PIPE 200M
35	22433204	1	NOZZLE LIPS 50MM ST. STEEL FOR PIPE 200M
35	22433205	1	NOZZLE LIPS 50MM ST. STEEL FOR PIPE 200M
35	22433206	1	NOZZLE LIPS 50MM ST. STEEL FOR PIPE 200M
35	22433207	1	NOZZLE LIPS 50MM ST. STEEL FOR PIPE 200M
35	22433301	1	NOZZLE LIPS 50MM ST. STEEL FOR PIPE 100M
35	22433302	1	NOZZLE LIPS 50MM FE/ZN FOR PIPE 300MM BL
35	22433303	1	NOZZLE LIPS 50MM ST. STEEL FOR PIPE 300M
35	22433304	1	NOZZLE LIPS 50MM ST. STEEL FOR PIPE 300M
35	22433305	1	NOZZLE LIPS 50MM ST. STEEL FOR PIPE 300M
35	22433306	1	NOZZLE LIPS 50MM ST. STEEL FOR PIPE 300M
35	22433307	1	NOZZLE LIPS 50MM ST. STEEL FOR PIPE 300M
36	22432400	1	NOZZLE BRUSH50MM FE/ZN FOR PIPE 100MM G
36	22432602	1	NOZZLE BRUSH50MM FE/ZN FOR PIPE 300MM B
36	22433701	1	NOZZLE BRUSH50MM ST. STEEL FOR PIPE 100M
36	22433702	1	NOZZLE BRUSH50MM FE/ZN FOR PIPE 100MM BL
36	22433704	1	NOZZLE BRUSH50MM ST. STEEL FOR PIPE 100M
36	22433705	1	NOZZLE BRUSH50MM ST. STEEL FOR PIPE 100M
36	22433706	1	NOZZLE BRUSH50MM ST. STEEL FOR PIPE 100M
36	22433707	1	NOZZLE BRUSH50MM ST. STEEL FOR PIPE 100M
36	22433800	1	NOZZLE BRUSH50MM FE/ZN FOR PIPE 200MM GR
36	22433801	1	NOZZLE BRUSH50MM ST. STEEL FOR PIPE 100M

# Nozzles 50 mm

GB 725

06-02-2015

Part List ID  
GX53329

32

Pos	Part no.	Qty	Description
36	22433802	1	NOZZLE BRUSH50MM FE/ZN FOR PIPE 200MM BL
36	22433804	1	NOZZLE BRUSH50MM ST. STEEL FOR PIPE 200M
36	22433805	1	NOZZLE BRUSH50MM ST. STEEL FOR PIPE 200M
36	22433806	1	NOZZLE BRUSH50MM ST. STEEL FOR PIPE 200M
36	22433807	1	NOZZLE BRUSH50MM ST. STEEL FOR PIPE 200M
36	22433900	1	NOZZLE BRUSH50MM FE/ZN FOR PIPE 300MM GR
36	22433901	1	NOZZLE BRUSH50MM ST. STEEL FOR PIPE 300M
36	22433904	1	NOZZLE BRUSH50MM ST. STEEL FOR PIPE 300M
36	22433905	1	NOZZLE BRUSH50MM ST. STEEL FOR PIPE 300M
36	22433906	1	NOZZLE BRUSH50MM ST. STEEL FOR PIPE 300M
36	22433907	1	NOZZLE BRUSH50MM ST. STEEL FOR PIPE 300M
37	22433601	1	NOZZLE LIPS 50MM ST. STEEL FLAT 300MM DA
37	22433602	1	NOZZLE LIPS 50MM FE/ZN FLAT 300MM BLACK
37	22433603	1	NOZZLE LIPS 50MM ST. STEEL FLAT 300MM WH
37	22433604	1	NOZZLE LIPS 50MM ST. STEEL FLAT 300MM YE
37	22433605	1	NOZZLE LIPS 50MM ST. STEEL FLAT 300MM RE
37	22433606	1	NOZZLE LIPS 50MM ST. STEEL FLAT 300MM GR
37	22433607	1	NOZZLE LIPS 50MM ST. STEEL FLAT 300MM BL
38	22432900	1	NOZZLE BRUSH50MM FE/ZN FLAT 300MM GREY
38	22432907	1	NOZZLE BRUSH50MM ST. STEEL FLAT 300MM B
38	22434201	1	NOZZLE BRUSH50MM ST. STEEL FLAT 300MM DA
38	22434202	1	NOZZLE BRUSH50MM FE/ZN FLAT 300MM BLAC
38	22434204	1	NOZZLE BRUSH50MM ST. STEEL FLAT 300MM YE
38	22434205	1	NOZZLE BRUSH50MM ST. STEEL FLAT 300MM RE
38	22434206	1	NOZZLE BRUSH50MM ST. STEEL FLAT 300MM GR
11A	80625000	1	NECK 45DEG 50MM
11B	80630800	1	ROUND BRUSH RING BLACK 70
12A	80671500	1	RUBBER FITTING D50
12B	10643200	1	ROUND BRUSH BLACK FOR 50MM 45°BRUSH 70MM
13B	80690500	1	BRUSH
22A	32430101	1	FLOOR NOZZ PART WITH RAIL DARK GREY
22A	32430102	1	FLOOR NOZZ PART WITH RAIL BLACK
22A	32430103	1	FLOOR NOZZ PART WITH RAIL WHITE
22A	32430104	1	NOZZLE PART WITH LIPS YELLOW FOR PIPE CL
22A	32430105	1	FLOOR NOZZ PART WITH RAIL RED
22A	32430106	1	FLOOR NOZZ PART WITH RAIL GREEN
22A	32430107	1	FLOOR NOZZ PART WITH RAIL BLUE
22A	32430201	1	FLOOR NOZZ PART WITH RAIL DARK GREY
22A	32430202	1	FLOOR NOZZ. WITH RAIL BLACK ESD
22A	32430203	1	FLOOR NOZZ PART WITH RAIL WHITE
22A	32430204	1	FLOOR NOZZ PART WITH RAIL YELLOW
22A	32430205	1	FLOOR NOZZ PART WITH RAIL RED
22A	32430206	1	FLOOR NOZZ PART WITH RAIL GREEN



# Nozzles 50 mm

GB 725

06-02-2015

Part List ID  
GX53329

33

Pos	Part no.	Qty	Description
22A	32430207	1	FLOOR NOZZ PART WITH RAIL BLUE
22A	32430301	1	FLOOR NOZZ PART WITH RAIL DARK GREY
22A	32430302	1	FLOOR NOZZ PART WITH RAIL BLACK
22A	32430303	1	FLOOR NOZZ PART WITH RAIL WHITE
22A	32430304	1	FLOOR NOZZ PART WITH RAIL YELLOW
22A	32430305	1	NOZZLE PART WITH LIPS RED FOR PIPE CLEAN
22A	32430306	1	FLOOR NOZZ PART WITH RAIL GREEN
22A	32430307	1	FLOOR NOZZ PART WITH RAIL BLUE
23A	42430900	1	NOZZLE PART WITH BRUSH GREY FOR PIPE CL
23A	42430901	1	FLOOR NOZZ PART WITH BRUSH DARK GREY
23A	42430902	1	NOZZLE PART WITH BRUSH BLACK FOR PIPE C
23A	42430904	1	NOZZLE PART WITH BRUSH YELLOW FOR PIPE C
23A	42430905	1	NOZZLE PART WITH BRUSH RED FOR PIPE CLEA
23A	42430906	1	NOZZLE PART WITH BRUSH GREEN FOR PIPE CL
23A	42430907	1	FLOOR NOZZ PART WITH BRUSH BLUE
23A	42431000	1	FLOOR NOZZ PART WITH BRUSH GRE
23A	42431001	1	FLOOR NOZZ PART WITH BRUSH DARK GREY
23A	42431002	1	NOZZLE PART WITH BRUSH BLACK FOR PIPE C
23A	42431004	1	FLOOR NOZZ PART WITH BRUSH YELLOW
23A	42431005	1	FLOOR NOZZ PART WITH BRUSH RED
23A	42431006	1	FLOOR NOZZ PART WITH BRUSH GREEN
23A	42431007	1	NOZZLE PART WITH BRUSH BLUE FOR PIPE CLE
23A	42431100	1	FLOOR NOZZ PART WITH BRUSH GRE
23A	42431101	1	FLOOR NOZZ PART WITH BRUSH DARK GREY
23A	42431102	1	FL. NOZZ. PART WITH BRUSH BLAC
23A	42431104	1	FLOOR NOZZ PART WITH BRUSH YELLOW
23A	42431105	1	FLOOR NOZZ PART WITH BRUSH RED
23A	42431106	1	FLOOR NOZZ PART WITH BRUSH GREEN
23A	42431107	1	FLOOR NOZZ PART WITH BRUSH BLUE 300MM
24A	32430801	1	FLOOR NOZZ PART WITH RAIL DARK GRE
24A	32430802	1	FLOOR NOZZ PART WITH RAIL BLAC
24A	32430803	1	NOZZLE PART W.LIPS WHITE FLAT 300MM FDA
24A	32430804	1	NOZZLE PART WITH LIPS YELLOW FLAT 300MM
24A	32430805	1	NOZZLE WITH LIPS RED. FDA. FLAT 300MM
24A	32430806	1	NOZZLE PART WITH LIPS GREEN FLAT 300MM
24A	32430807	1	NOZZLE WITH LIPS BLUE. FDA. FLAT 300MM
25A	42431600	1	NOZZLE PART WITH BRUSH GREY FLAT 300M
25A	42431601	1	NOZZLE PART WITH BRUSH DARK GREEN FLAT
25A	42431602	1	NOZZLE PART W.BRIST.BLACK FLAT 300MM ESD
25A	42431604	1	NOZZLE PART WITH BRUSH YELLOW FLAT 300MM
25A	42431605	1	FLOOR NOZZ PART WITH BRUSH RED
25A	42431606	1	FLOOR NOZZ PART WITH BRUSH GREE
25A	42431607	1	FLOOR NOZZ PART WITH BRUSH

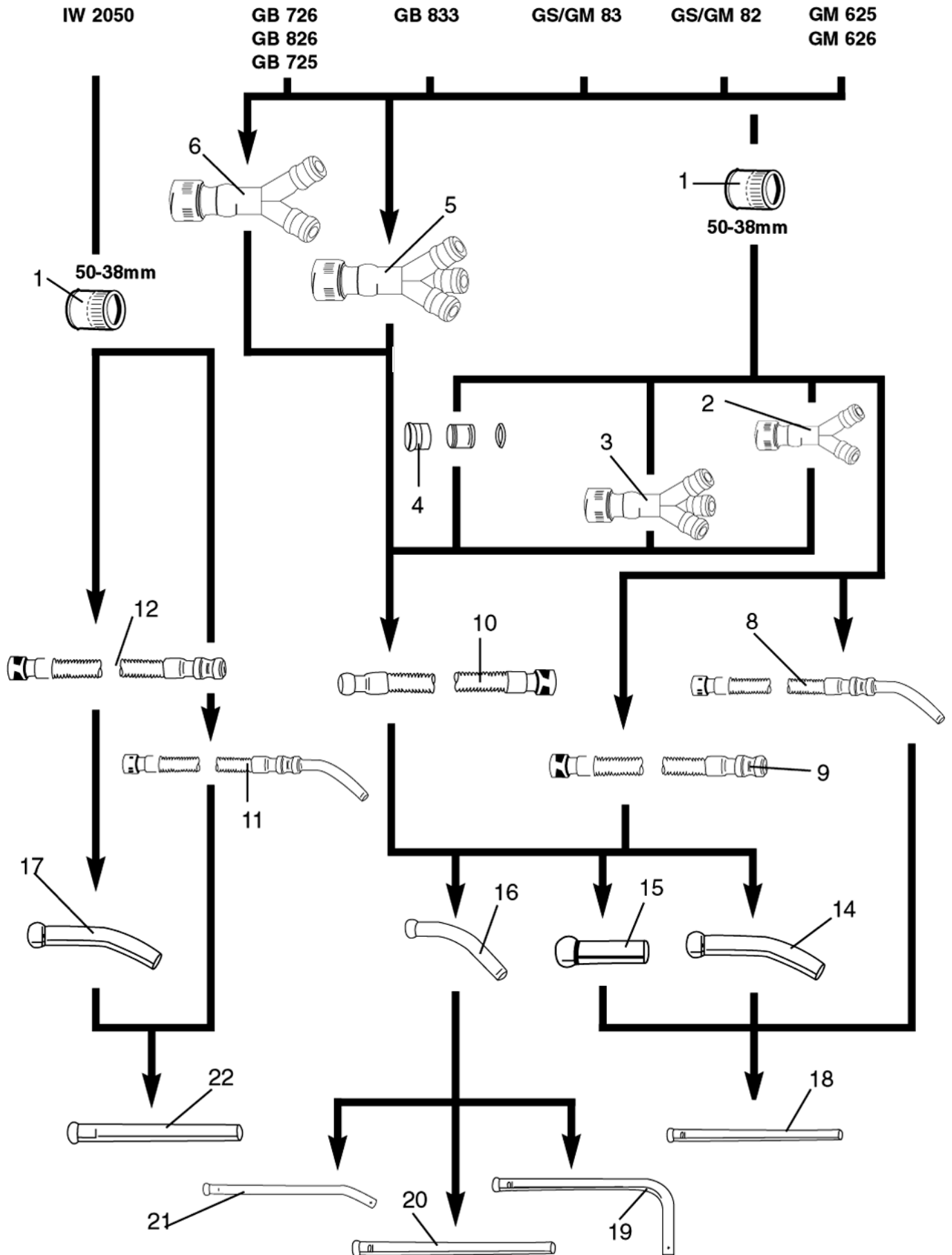
# Hose connection diagram steel/brass bayonet 38

GB 725

06-02-2015

Part List ID GX53331

34



# Hose connection diagram steel/brass bayonet 38

GB 725

06-02-2015

Part List ID

GX53331

35

Pos	Part no.	Qty	Description
1	10960900	1	BAYONET REDUCTION D50/38
2	L02151100	1	FORK Ø38/2XØ32 MD
2	L02151200	1	FORK Ø38/2XØ38 MD
4	22329900	1	STEEL BAYONET COUPLAST. 38MM
4	22329900	1	STEEL BAYONET COUPLAST. 38MM
5	L02151300	1	FORK Ø50/3XØ38 MD
6	L02150800	1	FORK Ø50/2XØ38 MD
8	11381600	1	HOSE 38/2M RUBBER COMPLETE
8	11381700	1	HOSE 38/3M RUBBER COMPLETE
8	11602500	1	HOSE 38/2M PLAST. COMPLETE
8	11603000	1	HOSE 38/3M PLAST. COMPLETE
8	12247000	1	HOSE 38/2M CON COMPLETE
8	12247200	1	HOSE 38/3M CON. COMPLETE
8	12247400	1	HOSE 38/5M CON. COMPLETE
8		1	HOSE 38/10M CON. COMPLETE.
8	12291000	1	HOSE 38/2M OIL COMPLETE.
8	12291400	1	HOSE 38/3M OIL COMPLETE
8	12291800	1	HOSE 38/5M OIL COMPLETE
8	12292200	1	HOSE 38/10 OIL COMPLETE
8	82343400	1	HOSE 38MM/5M COMPLETE PLASTIC GREY
9	11343300	1	HOSE 38/2M RUBBER BAY.+SLEEVE
9	11343500	1	HOSE 38/3M RUBBER BAY.+SLEEVE
9	12247100	1	HOSE 38/2M CON. BAY.+SLEEVE
9	12247300	1	HOSE 38/3M CON. BAYONET +NOZZLE
9	12247500	1	HOSE 38/5M CON. BAYONET +NOZZLE
9	12247700	1	HOSE 38/10M CON. BAY.+SLEEVE
9	12255400	1	HOSE 38/5M PLAST. BAYONET +NOZZLE
9	12255800	1	HOSE 38/10M PL BAYONET +NOZZLE
9	12291100	1	HOSE 38/2M OIL BAYONET +NOZZLE
9	12291500	1	HOSE 38/3M OIL BAYONET +NOZZLE
9	12291900	1	HOSE 38/5M OIL BAYONET +NOZZLE
9	12292300	1	HOSE 38/10M OIL BAYONET+SLEEVE
9	21602700	1	HOSE 38/2M PLAST. BAY. O+SLEEVE
9	21603200	1	HOSE 38/3M PLAST. BAY. O+SLEEVE
9	L03067800	1	HOSE 3M/38 MM PUR H
10	11343700	1	HOSE 38/2M RUBBER SLEEVE+BALL
10	11343900	1	HOSE 38/3M RUBBER SLEEVE+BALL
10	31802600	1	HOSE 38/2M PLAST. BALL AND SLEEVE
10	31803100	1	HOSE 38/3M PLAST. BALL AND SLEEVE
10	82245201	1	HOSE 38/2M CON. BALL+SLEEVE
10	82245301	1	HOSE 38/3M COND. BALL+SLEEVE
10	82290101	1	HOSE 38/2M OIL BALL+SLEEVE
10	82290201	1	HOSE 38/3M OIL BALL+SLEEVE

# Hose connection diagram steel/brass bayonet 38

GB 725

06-02-2015

Part List ID

GX53331

36

Pos	Part no.	Qty	Description
10	82290301	1	HOSE 38/5M OIL BALL+SLEEVE
10	82290401	1	HOSE 38/10M OIL BALL+SLEEVE
10	82343600	1	HOSE 38/5M PLAST. SLEEVE+BALL
10	82343700	1	HOSE 38/10M PLAST. SLEEVE+BALL
11	11810200	1	HOSE 38/2M COMPLETE BRASS ALU.
11	11810400	1	HOSE 38/3M COMPLETE BRASS/ALU.
12	21810100	1	HOSE 38/2M PLAST. BRASS BAY.+SL.
12	21810300	1	HOSE 38/3M PLAST. BRASS BAY.+SL.
14	10944000	1	BENT JUNCTION D38
15	10984600	1	DIRECT FITTING D38
16	11339800	1	ALUMINIUM STEEL FITTING D38
17	71917000	1	SS BENT JUNCTION D38
18	11027200	1	STEEL HOSE D38 MM560
19	10967000	1	ANGLED HOSE
20	10961200	1	ALUMINUM TUBE MT1 D38
21	11297400	1	PIPE
22	11916000	1	SS TUBE 630MM

# Nozzles 38 mm

GB 725

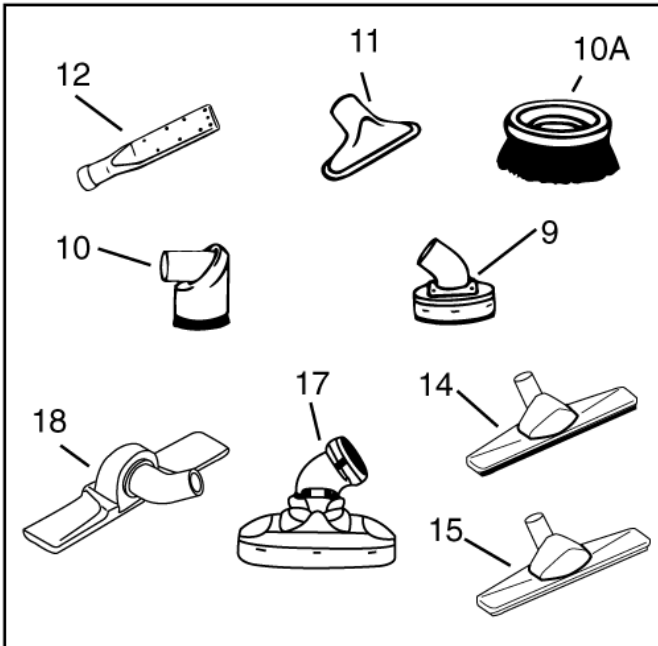
06-02-2015

Part List ID  
GX53333

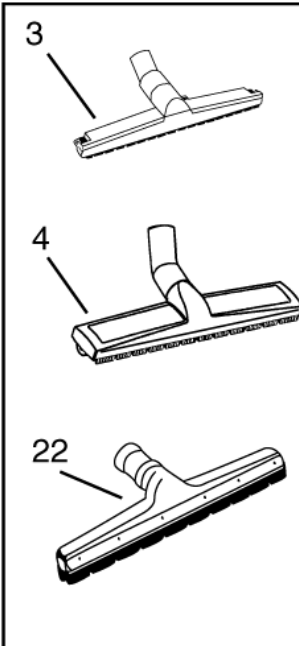
37

See hoses con-  
nection diagram  
for 38mm

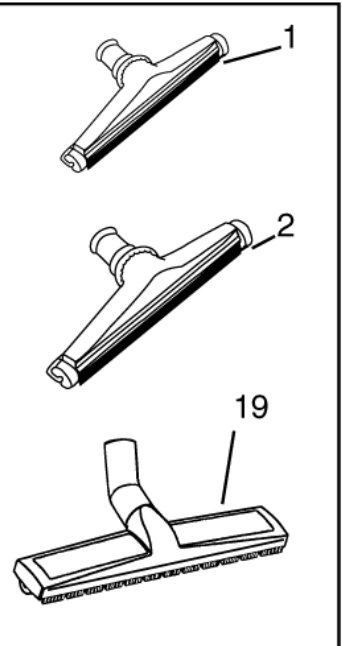
## Brushes & nozzles



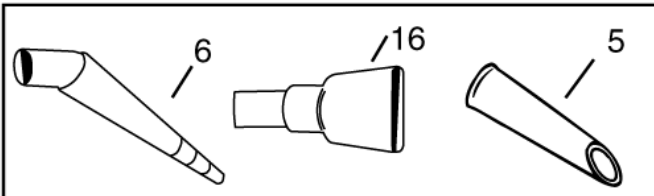
## Wet pick-up



## Wheeled floor nozzle



## Cones



Wood/plastic  
blades

26



Plastic/Lips

26 A



Wood/brush

25



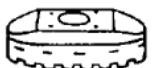
Plastic/Brush

25 A



Wood/plastic  
blades

24



Plastic/Lips

24 A



Wood/brush

28

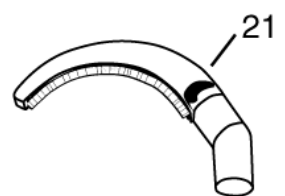


Plastic/Brush

28 A



23



21



30



31



32

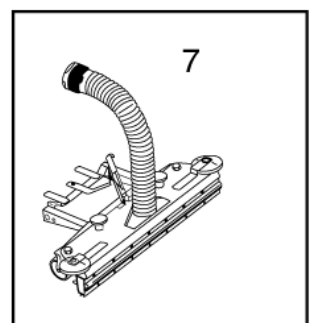


33



20

## Fixed floor nozzle



7

# Nozzles 38 mm

GB 725

06-02-2015

Part List ID  
GX53333

38

Pos	Part no.	Qty	Description
1	140 3816 020	1	NOZZLE W/BRISTLES F/38MM
2	10947300	1	GULVMUNDSTYKKE
3	140 3816 020	1	NOZZLE W/BRISTLES F/38MM
4	12126700	1	LIQUID NOZZLE D38
5	80956200	1	RUBBER CONDE D38
5	L02956200	1	CONE D38
6	82167900	1	CONIC ACC D38 XIW
9	10989000	1	NOZZLE BRUSH 38MM 100
10	10950200	1	ROUND BRUSH BLACK FOR 38MM BRUSH 70M
10	10950201	1	ROUND BRUSH RED FOR 38MM BRUSH 70M
10	10950202	1	ROUND BRUSH GREEN FOR 38MM BRUSH 70M
10	10950203	1	ROUND BRUSH BLUE FOR 38MM BRUSH 70M
10	12422500	1	ROUND BRUSH NATURAL BRISTLES 70MM F/ 38
10	80630800	1	ROUND BRUSH RING BLACK 70
10	80630801	1	ROUND BRUSH RING RED 70MM
10	80630802	1	ROUND BRUSH RING GREEN 70MM
10	80630803	1	ROUND BRUSH RING BLUE 70MM
11	70945300	1	NOZZLE
12	10949500	1	STEEL FLAT LANCE D38
14	11476101	1	BRUSH D38 MM400
15	11476000	1	CARPET NZL 38 X 400MM
16	82169700	1	FLAT NOZZLE D38 XIW
17	11346800	1	FLOOR NOZZ. 38MM 150MM WOOD
17	11346900	1	FLOOR NOZZ. 38MM 220MM WOOD
17	11347000	1	FLOOR NOZZ. 38MM 300MM WOOD
18	L00396349	1	FRENCH FLOOR NOZZLE HARD
19	12126800	1	HARD FLOOR NOZZ.
20	82191000	1	BENT BRUSH D38
21	82191200	1	BENT BRUSH D38
22	11339500	1	NOZZLE 38/400 ALU.
23	10957400	1	SWIVEL SOCKET 38MM
23	10957411	1	SWIVEL SOCKET 38MM ST. STEEL
24	32430801	1	FLOOR NOZZ PART WITH RAIL DARK GRE
25	10657900	1	MUNDSTYKKE T.RØR 400MM ½
25	10661600	1	MUNDSTYKKE T.RØR 200MM
25	10666400	1	MUNDSTYKKE T.RØR 600MM ½
25	42430900	1	NOZZLE PART WITH BRUSH GREY FOR PIPE CL
25	42431100	1	FLOOR NOZZ PART WITH BRUSH GRE
26	10674600	1	MUNDSTYKKE T.RØR 100MM ½
26	10674700	1	MUNDSTYKKE T.RØR 200MM ½
26	10674800	1	MUNDSTYKKE T RØR 300MM ½
26	10674900	1	MUNDSTYKKE T.RØR 400MM ½
26	10675000	1	MUNDSTYKKE T.RØR 600MM ½

# Nozzles 38 mm

GB 725

06-02-2015

Part List ID

GX53333

39

Pos	Part no.	Qty	Description
27	10647500	1	MUNDSTYKKE
28	10647300	1	BASE FLOOR NOZZ. 150MM WOOD
28	10651600	1	BASE FLOOR NOZZ. 300MM WOOD
28	42431600	1	NOZZLE PART WITH BRUSH GREY FLAT 300M
30	22430101	1	NOZZLE LIPS 38MM ST. STEEL FOR PIPE 100M
30	22430102	1	NOZZLE LIPS 38MM FE/ZN FOR PIPE 100MM BL
30	22430103	1	NOZZLE LIPS 38MM ST. STEEL FOR PIPE 100M
30	22430104	1	NOZZLE LIPS 38MM ST. STEEL FOR PIPE 100M
30	22430105	1	NOZZLE LIPS 38MM ST. STEEL FOR PIPE 100M
30	22430106	1	NOZZLE LIPS 38MM ST. STEEL FOR PIPE 100M
30	22430107	1	NOZZLE LIPS 38MM ST. STEEL FOR PIPE 100M
30	22430201	1	NOZZLE LIPS 38MM ST. STEEL FOR PIPE 200M
30	22430202	1	NOZZLE LIPS 38MM FE/ZN FOR PIPE 200MM BL
30	22430203	1	NOZZLE LIPS 38MM ST. STEEL FOR PIPE 200M
30	22430204	1	NOZZLE LIPS 38MM ST. STEEL FOR PIPE 200M
30	22430205	1	NOZZLE LIPS 38MM ST. STEEL FOR PIPE 200M
30	22430206	1	NOZZLE LIPS 38MM ST. STEEL FOR PIPE 200M
30	22430207	1	NOZZLE LIPS 38MM ST. STEEL FOR PIPE 200M
30	22430301	1	NOZZLE LIPS 38MM ST. STEEL FOR PIPE 100M
30	22430302	1	NOZZLE LIPS 38MM FE/ZN FOR PIPE 300MM BL
30	22430303	1	NOZZLE LIPS 38MM ST. STEEL FOR PIPE 300M
30	22430304	1	NOZZLE LIPS 38MM ST. STEEL FOR PIPE 300M
30	22430305	1	NOZZLE LIPS 38MM ST. STEEL FOR PIPE 300M
30	22430306	1	NOZZLE LIPS 38MM ST. STEEL FOR PIPE 300M
30	22430307	1	NOZZLE LIPS 38MM ST. STEEL FOR PIPE 300M
31	22430900	1	NOZZLE BRUSH 38MM FE/ZN FOR PIPE 100MM G
31	22430901	1	NOZZLE BRUSH 38MM ST. STEEL FOR PIPE 100
31	22430902	1	NOZZLE BRUSH 38MM FE/ZN FOR PIPE 100MM B
31	22430904	1	NOZZLE BRUSH 38MM ST. STEEL FOR PIPE 100
31	22430905	1	NOZZLE BRUSH 38MM ST. STEEL FOR PIPE 100
31	22430906	1	NOZZLE BRUSH 38MM ST. STEEL FOR PIPE 100
31	22430907	1	NOZZLE BRUSH 38MM ST. STEEL FOR PIPE 100
31	22431000	1	NOZZLE BRUSH 38MM FE/ZN FOR PIPE 200MM G
31	22431001	1	NOZZLE BRUSH 38MM ST. STEEL FOR PIPE 200
31	22431002	1	NOZZLE BRUSH 38MM FE/ZN FOR PIPE 200MM B
31	22431004	1	NOZZLE BRUSH 38MM ST. STEEL FOR PIPE 200
31	22431005	1	NOZZLE BRUSH 38MM ST. STEEL FOR PIPE 200
31	22431006	1	NOZZLE BRUSH 38MM ST. STEEL FOR PIPE 200
31	22431007	1	NOZZLE BRUSH 38MM ST. STEEL FOR PIPE 200
31	22431100	1	NOZZLE BRUSH 38MM FE/ZN FOR PIPE 300MM G
31	22431101	1	NOZZLE BRUSH 38MM ST. STEEL FOR PIPE 300
31	22431102	1	NOZZLE BRUSH 38MM FE/ZN FOR PIPE 300MM B
31	22431104	1	NOZZLE BRUSH 38MM ST. STEEL FOR PIPE 300

# Nozzles 38 mm

GB 725

06-02-2015

Part List ID  
GX53333

40

Pos	Part no.	Qty	Description
31	22431105	1	NOZZLE BRUSH 38MM ST. STEEL FOR PIPE 300
31	22431106	1	NOZZLE BRUSH 38MM ST. STEEL FOR PIPE 300
31	22431107	1	NOZZLE BRUSH 38MM ST. STEEL FOR PIPE 300
32	22430801	1	NOZZLE LIPS 38MM ST. STEEL FLAT 300MM DA
32	22430802	1	NOZZLE LIPS 38MM FE/ZN FLAT 300MM BLACK
32	22430803	1	NOZZLE LIPS 38MM ST. STEEL FLAT 300MM WH
32	22430804	1	NOZZLE LIPS 38MM ST. STEEL FLAT 300MM YE
32	22430805	1	NOZZLE LIPS 38MM ST. STEEL FLAT 300MM RE
32	22430806	1	NOZZLE LIPS 38MM ST. STEEL FLAT 300MM GR
32	22430807	1	NOZZLE LIPS 38MM ST. STEEL FLAT 300MM BL
33	22431600	1	NOZZLE BRUSH 38MM FE/ZN FLAT 300MM GREY
33	22431601	1	NOZZLE BRUSH 38MM ST. STEEL FLAT 300MM D
33	22431602	1	NOZZLE BRUSH 38MM FE/ZN FLAT 300MM BLACK
33	22431604	1	NOZZLE BRUSH 38MM ST. STEEL FLAT 300MM Y
33	22431605	1	NOZZLE BRUSH 38MM ST. STEEL FLAT 300MM R
33	22431606	1	NOZZLE BRUSH 38MM ST. STEEL FLAT 300MM G
33	22431607	1	NOZZLE BRUSH 38MM ST. STEEL FLAT 300MM B
10A	80630800	1	ROUND BRUSH RING BLACK 70
10A	80630801	1	ROUND BRUSH RING RED 70MM
10A	80630802	1	ROUND BRUSH RING GREEN 70MM
10A	80630803	1	ROUND BRUSH RING BLUE 70MM
23A	42430904	1	NOZZLE PART WITH BRUSH YELLOW FOR PIPE C
23A	42430905	1	NOZZLE PART WITH BRUSH RED FOR PIPE CLEA
23A	42430906	1	NOZZLE PART WITH BRUSH GREEN FOR PIPE CL
23A	42430907	1	FLOOR NOZZ PART WITH BRUSH BLUE
23A	42431004	1	FLOOR NOZZ PART WITH BRUSH YELLOW
23A	42431005	1	FLOOR NOZZ PART WITH BRUSH RED
23A	42431006	1	FLOOR NOZZ PART WITH BRUSH GREEN
23A	42431007	1	NOZZLE PART WITH BRUSH BLUE FOR PIPE CLE
23A	42431104	1	FLOOR NOZZ PART WITH BRUSH YELLOW
23A	42431105	1	FLOOR NOZZ PART WITH BRUSH RED
23A	42431106	1	FLOOR NOZZ PART WITH BRUSH GREEN
23A	42431107	1	FLOOR NOZZ PART WITH BRUSH BLUE 300MM
24A	32430801	1	FLOOR NOZZ PART WITH RAIL DARK GRE
24A	32430802	1	FLOOR NOZZ PART WITH RAIL BLAC
24A	32430803	1	NOZZLE PART W.LIPS WHITE FLAT 300MM FDA
24A	32430804	1	NOZZLE PART WITH LIPS YELLOW FLAT 300MM
24A	32430805	1	NOZZLE WITH LIPS RED. FDA. FLAT 300MM
24A	32430806	1	NOZZLE PART WITH LIPS GREEN FLAT 300MM
24A	32430807	1	NOZZLE WITH LIPS BLUE. FDA. FLAT 300MM
24A	42431602	1	NOZZLE PART W.BRIST.BLACK FLAT 300MM ESD
25A	42430900	1	NOZZLE PART WITH BRUSH GREY FOR PIPE CL
25A	42430901	1	FLOOR NOZZ PART WITH BRUSH DARK GREY



# Nozzles 38 mm

GB 725

06-02-2015

Part List ID

GX53333

41

Pos	Part no.	Qty	Description
25A	42430902	1	NOZZLE PART WITH BRUSH BLACK FOR PIPE C
25A	42431000	1	FLOOR NOZZ PART WITH BRUSH GRE
25A	42431001	1	FLOOR NOZZ PART WITH BRUSH DARK GREY
25A	42431002	1	NOZZLE PART WITH BRUSH BLACK FOR PIPE C
25A	42431100	1	FLOOR NOZZ PART WITH BRUSH GRE
25A	42431101	1	FLOOR NOZZ PART WITH BRUSH DARK GREY
25A	42431102	1	FL. NOZZ. PART WITH BRUSH BLAC
25A	42431604	1	NOZZLE PART WITH BRUSH YELLOW FLAT 300MM
25A	42431605	1	FLOOR NOZZ PART WITH BRUSH RED
25A	42431606	1	FLOOR NOZZ PART WITH BRUSH GREE
25A	42431607	1	FLOOR NOZZ PART WITH BRUSH
26A	32430101	1	FLOOR NOZZ PART WITH RAIL DARK GREY
26A	32430102	1	FLOOR NOZZ PART WITH RAIL BLACK
26A	32430103	1	FLOOR NOZZ PART WITH RAIL WHITE
26A	32430104	1	NOZZLE PART WITH LIPS YELLOW FOR PIPE CL
26A	32430105	1	FLOOR NOZZ PART WITH RAIL RED
26A	32430106	1	FLOOR NOZZ PART WITH RAIL GREEN
26A	32430107	1	FLOOR NOZZ PART WITH RAIL BLUE
26A	32430201	1	FLOOR NOZZ PART WITH RAIL DARK GREY
26A	32430202	1	FLOOR NOZZ. WITH RAIL BLACK ESD
26A	32430203	1	FLOOR NOZZ PART WITH RAIL WHITE
26A	32430204	1	FLOOR NOZZ PART WITH RAIL YELLOW
26A	32430205	1	FLOOR NOZZ PART WITH RAIL RED
26A	32430206	1	FLOOR NOZZ PART WITH RAIL GREEN
26A	32430207	1	FLOOR NOZZ PART WITH RAIL BLUE
26A	32430301	1	FLOOR NOZZ PART WITH RAIL DARK GREY
26A	32430302	1	FLOOR NOZZ PART WITH RAIL BLACK
26A	32430303	1	FLOOR NOZZ PART WITH RAIL WHITE
26A	32430304	1	FLOOR NOZZ PART WITH RAIL YELLOW
26A	32430305	1	NOZZLE PART WITH LIPS RED FOR PIPE CLEAN
26A	32430306	1	FLOOR NOZZ PART WITH RAIL GREEN
26A	32430307	1	FLOOR NOZZ PART WITH RAIL BLUE
28A	42431600	1	NOZZLE PART WITH BRUSH GREY FLAT 300M
28A	42431601	1	NOZZLE PART WITH BRUSH DARK GREEN FLAT

# Nozzles 50 mm

GB 725

06-02-2015

Part List ID  
HOSE11

42



See hoses connection diagram for 38mm

See hoses connection diagram for 50mm



45°  
11



12



13



11 A

11 B



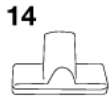
12 A

12 B



12 A

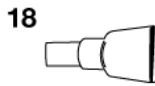
13 B



14



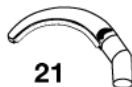
17



18



19



21



Wood

26

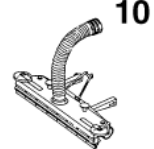
## Fixed floor nozzle



8



9



10

Ref. No	For models	Serial No.
11669000	GM 625	101 - 3434
11669000	GB 725	101 - 1002
11839000	GM 625	3435 -
11839000	GM 725	1003 -
11839000	GM 626/GM 726	1001 -
11839000	GB 826	1001 -

## Wooden nozzle for cleaning ovens



29



15



16

## Wood/plastic blades



22

## Plastic/Lips



22 A

## Wood/brush



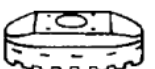
23

## Plastic/Brush



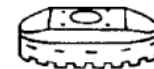
23 A

## Wood/plastic blades



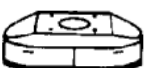
24

## Plastic/Lips



24 A

## Wood/brush



25

## Plastic/Brush



25 A

Nozzle Neck adjustable  
Neck material:  
-Rubber/Aluminium/  
Fe-Zn.  
-Silicone Rubber/  
Alu/Stainless Steel.



27

Nozzle with adjustable  
Neck  
Neck material:  
-Rubber/Aluminium/  
Fe-Zn.  
-Silicone Rubber/  
Alu/Stainless Steel.



31



32



33



34

Nozzle Neck adjustable  
& Lockable  
Neck material:  
-Rubber/Aluminium/  
Fe-Zn.  
-Silicone Rubber/  
Alu/Stainless Steel.



27

Nozzle with adjustable  
& Lockable Neck  
Neck material:  
-Rubber/Aluminium/  
Fe-Zn.  
-Silicone Rubber/  
Alu/Stainless Steel.



35



36



37



38

## Cones



4



5

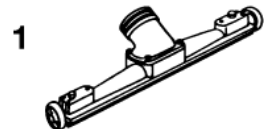


6

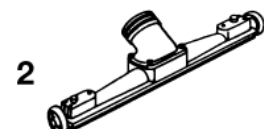


7

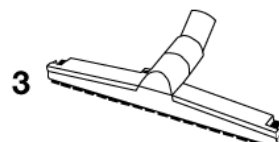
## Wheeled floor nozzle



1



2



3

# Nozzles 50 mm

GB 725

06-02-2015

Part List ID  
HOSE11

43

Pos	Part no.	Qty	Description	
1	10915000	1	FLOOR NOZZLE 50 ALU. 400	
2	82226700	1	NOZZLE FLOOR 50MM IW2050	
3	82226700	1	NOZZLE FLOOR 50MM IW2050	
4	80650900	1	RUBBER CODE D50	
4	L02650900	1	BLACK CONE D50	
5	80691100	1	RUBBER CODE D50	
6	82167400	1	CONIC ACC D50	
7	80654600	1	PIPE RUBBER CONE D50	
8	11372800	1	NOZZLE FOR CONTAINER 500MM	
8	12294500	1	NOZZLE 50MM 500MM LIPS+BRUSH	
9	11372900	1	NOZZLE FOR CONTAINER 750MM	
9	12294600	1	NOZZLE 50MM 750MM BRUSH+LIPS	
10	11669000	1	FLOOR NOZZ. . 50MM 750MM	
10	11839000	1	NOZZLE.GM625/GB725 750MM	
11	10643200	1	ROUND BRUSH BLACK FOR 50MM 45°BRUSH 70MM	
11	10643201	1	ROUND BRUSH RED FOR 50MM BRUSH 70M	
11	10643202	1	ROUND BRUSH GREEN FOR 50MM	
11	10643203	1	ROUND BRUSH BLUE FOR 50MM BRUSH 70M	
11	10643204	1	ROUND BRUSH WHITE FOR 50MM BRUSH 70M	
11	10643205	1	ROUND BRUSH YELLOW FOR 50MM BRUSH 70M	
14	L02122400	1	ALU. NOZZLE FOR MS83	
15	10643300	1	FLAT LANCE D50	
16	10654100	1	BRUSH FOR SHELF NOZZLE	
17	80640500	1	NOTCHED NOZZLE D50	GREY
17	80640501	1	NOTCHED NOZZLE D50	BLACK
18	82167300	1	FLAT NOZZLE D50	
18	L02122200	1	RUBBER NOZZLE D50	
19	L03058201	1	SUGEDYSE 50MM 40X250MM	
21	82191100	1	NOZZLE Ø50	BRUSH UP TO 100 MM
21	82191300	1	NOZZLE Ø50	BRUSH UP TO 200 MM
22	10674600	1	MUNDSTYKKE T.RØR 100MM ½	
22	10674700	1	MUNDSTYKKE T.RØR 200MM ½	
22	10674800	1	MUNDSTYKKE T RØR 300MM ½	
22	10674900	1	MUNDSTYKKE T.RØR 400MM ½	
22	10675000	1	MUNDSTYKKE T.RØR 600MM ½	
23	10657900	1	MUNDSTYKKE T.RØR 400MM ½	
23	10661600	1	MUNDSTYKKE T.RØR 200MM	
23	10666400	1	MUNDSTYKKE T.RØR 600MM ½	
23	42430900	1	NOZZLE PART WITH BRUSH GREY FOR PIPE CL	
23	42431100	1	FLOOR NOZZ PART WITH BRUSH GRE	
24	32430801	1	FLOOR NOZZ PART WITH RAIL DARK GRE	
25	10647300	1	BASE FLOOR NOZZ. 150MM WOOD	
25	10651600	1	BASE FLOOR NOZZ. 300MM WOOD	

# Nozzles 50 mm

GB 725

06-02-2015

Part List ID  
HOSE11

44

Pos	Part no.	Qty	Description
25	42431600	1	NOZZLE PART WITH BRUSH GREY FLAT 300M
26	10647500	1	MUNDSTYKKE
27	10645000	1	SWIVEL TOP 50MM
27	10645011	1	SWIVEL TOP 50MM ST. STEEL AND ALU. ST
27	10645021	1	SWIVEL TOP LOCKABLE 50MM ST. STEE
27	10645031	1	SWIVEL TOP 50MM FE/ZN-VERSION
29	10662500	1	CARPET NOZZLE 50MM WD
30	80971400	1	SLEEVE
31	22431801	1	NOZZLE LIPS 50MM ST. STEEL FOR PIPE 100M
31	22431802	1	NOZZLE LIPS 50MM FE/ZN FOR PIPE 100MM BL
31	22431803	1	NOZZLE LIPS 50MM ST. STEEL FOR PIPE 100M
31	22431804	1	NOZZLE LIPS 50MM ST. STEEL FOR PIPE 100M
31	22431805	1	NOZZLE LIPS 50MM ST. STEEL FOR PIPE 100M
31	22431806	1	NOZZLE LIPS 50MM ST. STEEL FOR PIPE 100M
31	22431807	1	NOZZLE LIPS 50MM ST. STEEL FOR PIPE 100M
31	22431901	1	NOZZLE LIPS 50MM ST. STEEL FOR PIPE 200M
31	22431902	1	NOZZLE LIPS 50MM FE/ZN FOR PIPE 200MM BL
31	22431903	1	NOZZLE LIPS 50MM ST. STEEL FOR PIPE 200M
31	22431904	1	NOZZLE LIPS 50MM ST. STEEL FOR PIPE 200M
31	22431905	1	NOZZLE LIPS 50MM ST. STEEL FOR PIPE 200M
31	22431906	1	NOZZLE LIPS 50MM ST. STEEL FOR PIPE 200M
31	22431907	1	NOZZLE LIPS 50MM ST. STEEL FOR PIPE 200M
31	22432001	1	NOZZLE LIPS 50MM ST. STEEL FOR PIPE 300M
31	22432002	1	NOZZLE LIPS 50MM FE/ZN FOR PIPE 300MM BL
31	22432003	1	NOZZLE LIPS 50MM ST. STEEL FOR PIPE 300M
31	22432004	1	NOZZLE LIPS 50MM ST. STEEL FOR PIPE 300M
31	22432005	1	NOZZLE LIPS 50MM ST. STEEL FOR PIPE 300M
31	22432006	1	NOZZLE LIPS 50MM ST. STEEL FOR PIPE 300M
31	22432007	1	NOZZLE LIPS 50MM ST. STEEL FOR PIPE 300M
32	22432400	1	NOZZLE BRUSH50MM FE/ZN FOR PIPE 100MM G
32	22432401	1	NOZZLE BRUSH50MM ST. STEEL FOR PIPE 100M
32	22432402	1	NOZZLE BRUSH50MM FE/ZN FOR PIPE 100MM B
32	22432404	1	NOZZLE BRUSH50MM ST. STEEL FOR PIPE 100M
32	22432405	1	NOZZLE BRUSH50MM ST. STEEL FOR PIPE 100M
32	22432406	1	NOZZLE BRUSH50MM ST. STEEL FOR PIPE 100M
32	22432407	1	NOZZLE BRUSH50MM ST. STEEL FOR PIPE 100M
32	22432500	1	NOZZLE BRUSH50MM FE/ZN FOR PIPE 200MM G
32	22432501	1	NOZZLE BRUSH50MM ST. STEEL FOR PIPE 200M
32	22432502	1	NOZZLE BRUSH50MM FE/ZN FOR PIPE 200MM B
32	22432504	1	NOZZLE BRUSH50MM ST. STEEL FOR PIPE 200M
32	22432505	1	NOZZLE BRUSH50MM ST. STEEL FOR PIPE 200M
32	22432506	1	NOZZLE BRUSH50MM ST. STEEL FOR PIPE 200M
32	22432507	1	NOZZLE BRUSH50MM ST. STEEL FOR PIPE 200M

# Nozzles 50 mm

GB 725

06-02-2015

Part List ID  
HOSE11

45

Pos	Part no.	Qty	Description
32	22432600	1	NOZZLE BRUSH50MM FE/ZN FOR PIPE 300MM G
32	22432601	1	NOZZLE BRUSH50MM ST. STEEL FOR PIPE 300M
32	22432602	1	NOZZLE BRUSH50MM FE/ZN FOR PIPE 300MM B
32	22432604	1	NOZZLE BRUSH50MM ST. STEEL FOR PIPE 300M
32	22432605	1	NOZZLE BRUSH50MM ST. STEEL FOR PIPE 300M
32	22432606	1	NOZZLE BRUSH50MM ST. STEEL FOR PIPE 300M
32	22432607	1	NOZZLE BRUSH50MM ST. STEEL FOR PIPE 300M
33	22432301	1	NOZZLE LIPS 50MM ST. STEEL FLAT 300MM D
33	22432302	1	NOZZLE LIPS 50MM FE/ZN FLAT 300MM BLAC
33	22432303	1	NOZZLE LIPS 50MM ST. STEEL FLAT 300MM WH
33	22432304	1	NOZZLE LIPS 50MM ST. STEEL FLAT 300MM YE
33	22432305	1	NOZZLE LIPS 50MM ST. STEEL FLAT 300MM RE
33	22432306	1	NOZZLE LIPS 50MM ST. STEEL FLAT 300MM G
33	22432307	1	NOZZLE LIPS 50MM ST. STEEL FLAT 300MM BL
34	22432900	1	NOZZLE BRUSH50MM FE/ZN FLAT 300MM GREY
34	22432901	1	NOZZLE BRUSH50MM ST. STEEL FLAT 300MM D
34	22432902	1	NOZZLE BRUSH50MM FE/ZN FLAT 300MM BLAC
34	22432904	1	NOZZLE BRUSH50MM ST. STEEL FLAT 300MM YE
34	22432905	1	NOZZLE BRUSH50MM ST. STEEL FLAT 300MM R
34	22432906	1	NOZZLE BRUSH50MM ST. STEEL FLAT 300MM G
34	22432907	1	NOZZLE BRUSH50MM ST. STEEL FLAT 300MM B
35	22433101	1	NOZZLE LIPS 50MM ST. STEEL FOR PIPE 100M
35	22433102	1	NOZZLE LIPS 50MM FE/ZN FOR PIPE 100MM BL
35	22433103	1	NOZZLE LIPS 50MM ST. STEEL FOR PIPE 100M
35	22433104	1	NOZZLE LIPS 50MM ST. STEEL FOR PIPE 100M
35	22433105	1	NOZZLE LIPS 50MM ST. STEEL FOR PIPE 100M
35	22433106	1	NOZZLE LIPS 50MM ST. STEEL FOR PIPE 100M
35	22433107	1	NOZZLE LIPS 50MM ST. STEEL FOR PIPE 100M
35	22433201	1	NOZZLE LIPS 50MM ST. STEEL FOR PIPE 200M
35	22433202	1	NOZZLE LIPS 50MM FE/ZN FOR PIPE 200MM BL
35	22433203	1	NOZZLE LIPS 50MM ST. STEEL FOR PIPE 200M
35	22433204	1	NOZZLE LIPS 50MM ST. STEEL FOR PIPE 200M
35	22433205	1	NOZZLE LIPS 50MM ST. STEEL FOR PIPE 200M
35	22433206	1	NOZZLE LIPS 50MM ST. STEEL FOR PIPE 200M
35	22433207	1	NOZZLE LIPS 50MM ST. STEEL FOR PIPE 200M
35	22433301	1	NOZZLE LIPS 50MM ST. STEEL FOR PIPE 100M
35	22433302	1	NOZZLE LIPS 50MM FE/ZN FOR PIPE 300MM BL
35	22433303	1	NOZZLE LIPS 50MM ST. STEEL FOR PIPE 300M
35	22433304	1	NOZZLE LIPS 50MM ST. STEEL FOR PIPE 300M
35	22433305	1	NOZZLE LIPS 50MM ST. STEEL FOR PIPE 300M
35	22433306	1	NOZZLE LIPS 50MM ST. STEEL FOR PIPE 300M
35	22433307	1	NOZZLE LIPS 50MM ST. STEEL FOR PIPE 300M
36	22432400	1	NOZZLE BRUSH50MM FE/ZN FOR PIPE 100MM G

# Nozzles 50 mm

GB 725

06-02-2015

Part List ID  
HOSE11

46

Pos	Part no.	Qty	Description
36	22432602	1	NOZZLE BRUSH50MM FE/ZN FOR PIPE 300MM B
36	22433701	1	NOZZLE BRUSH50MM ST. STEEL FOR PIPE 100M
36	22433702	1	NOZZLE BRUSH50MM FE/ZN FOR PIPE 100MM BL
36	22433704	1	NOZZLE BRUSH50MM ST. STEEL FOR PIPE 100M
36	22433705	1	NOZZLE BRUSH50MM ST. STEEL FOR PIPE 100M
36	22433706	1	NOZZLE BRUSH50MM ST. STEEL FOR PIPE 100M
36	22433707	1	NOZZLE BRUSH50MM ST. STEEL FOR PIPE 100M
36	22433800	1	NOZZLE BRUSH50MM FE/ZN FOR PIPE 200MM GR
36	22433801	1	NOZZLE BRUSH50MM ST. STEEL FOR PIPE 100M
36	22433802	1	NOZZLE BRUSH50MM FE/ZN FOR PIPE 200MM BL
36	22433804	1	NOZZLE BRUSH50MM ST. STEEL FOR PIPE 200M
36	22433805	1	NOZZLE BRUSH50MM ST. STEEL FOR PIPE 200M
36	22433806	1	NOZZLE BRUSH50MM ST. STEEL FOR PIPE 200M
36	22433807	1	NOZZLE BRUSH50MM ST. STEEL FOR PIPE 200M
36	22433900	1	NOZZLE BRUSH50MM FE/ZN FOR PIPE 300MM GR
36	22433901	1	NOZZLE BRUSH50MM ST. STEEL FOR PIPE 300M
36	22433904	1	NOZZLE BRUSH50MM ST. STEEL FOR PIPE 300M
36	22433905	1	NOZZLE BRUSH50MM ST. STEEL FOR PIPE 300M
36	22433906	1	NOZZLE BRUSH50MM ST. STEEL FOR PIPE 300M
36	22433907	1	NOZZLE BRUSH50MM ST. STEEL FOR PIPE 300M
37	22433601	1	NOZZLE LIPS 50MM ST. STEEL FLAT 300MM DA
37	22433602	1	NOZZLE LIPS 50MM FE/ZN FLAT 300MM BLACK
37	22433603	1	NOZZLE LIPS 50MM ST. STEEL FLAT 300MM WH
37	22433604	1	NOZZLE LIPS 50MM ST. STEEL FLAT 300MM YE
37	22433605	1	NOZZLE LIPS 50MM ST. STEEL FLAT 300MM RE
37	22433606	1	NOZZLE LIPS 50MM ST. STEEL FLAT 300MM GR
37	22433607	1	NOZZLE LIPS 50MM ST. STEEL FLAT 300MM BL
38	22432900	1	NOZZLE BRUSH50MM FE/ZN FLAT 300MM GREY
38	22432907	1	NOZZLE BRUSH50MM ST. STEEL FLAT 300MM B
38	22434201	1	NOZZLE BRUSH50MM ST. STEEL FLAT 300MM DA
38	22434202	1	NOZZLE BRUSH50MM FE/ZN FLAT 300MM BLAC
38	22434204	1	NOZZLE BRUSH50MM ST. STEEL FLAT 300MM YE
38	22434205	1	NOZZLE BRUSH50MM ST. STEEL FLAT 300MM RE
38	22434206	1	NOZZLE BRUSH50MM ST. STEEL FLAT 300MM GR
11A	80625000	1	NECK 45DEG 50MM
11B	80630800	1	ROUND BRUSH RING BLACK 70
11B	80630801	1	ROUND BRUSH RING RED 70MM
11B	80630802	1	ROUND BRUSH RING GREEN 70MM
11B	80630803	1	ROUND BRUSH RING BLUE 70MM
11B	80630804	1	ROUND BRUSH RING WHITE 70MM
11B	80630805	1	ROUND BRUSH RING YELLOW 70MM
12A	80671500	1	RUBBER FITTING D50
12B	10643200	1	ROUND BRUSH BLACK FOR 50MM 45°BRUSH 70MM

# Nozzles 50 mm

GB 725

06-02-2015

Part List ID  
HOSE11

47

Pos	Part no.	Qty	Description
13B	80690500	1	BRUSH
22A	32430101	1	FLOOR NOZZ PART WITH RAIL DARK GREY
22A	32430102	1	FLOOR NOZZ PART WITH RAIL BLACK
22A	32430103	1	FLOOR NOZZ PART WITH RAIL WHITE
22A	32430104	1	NOZZLE PART WITH LIPS YELLOW FOR PIPE CL
22A	32430105	1	FLOOR NOZZ PART WITH RAIL RED
22A	32430106	1	FLOOR NOZZ PART WITH RAIL GREEN
22A	32430107	1	FLOOR NOZZ PART WITH RAIL BLUE
22A	32430201	1	FLOOR NOZZ PART WITH RAIL DARK GREY
22A	32430202	1	FLOOR NOZZ. WITH RAIL BLACK ESD
22A	32430203	1	FLOOR NOZZ PART WITH RAIL WHITE
22A	32430204	1	FLOOR NOZZ PART WITH RAIL YELLOW
22A	32430205	1	FLOOR NOZZ PART WITH RAIL RED
22A	32430206	1	FLOOR NOZZ PART WITH RAIL GREEN
22A	32430207	1	FLOOR NOZZ PART WITH RAIL BLUE
22A	32430301	1	FLOOR NOZZ PART WITH RAIL DARK GREY
22A	32430302	1	FLOOR NOZZ PART WITH RAIL BLACK
22A	32430303	1	FLOOR NOZZ PART WITH RAIL WHITE
22A	32430304	1	FLOOR NOZZ PART WITH RAIL YELLOW
22A	32430305	1	NOZZLE PART WITH LIPS RED FOR PIPE CLEAN
22A	32430306	1	FLOOR NOZZ PART WITH RAIL GREEN
22A	32430307	1	FLOOR NOZZ PART WITH RAIL BLUE
23A	42430900	1	NOZZLE PART WITH BRUSH GREY FOR PIPE CL
23A	42430901	1	FLOOR NOZZ PART WITH BRUSH DARK GREY
23A	42430902	1	NOZZLE PART WITH BRUSH BLACK FOR PIPE C
23A	42430904	1	NOZZLE PART WITH BRUSH YELLOW FOR PIPE C
23A	42430905	1	NOZZLE PART WITH BRUSH RED FOR PIPE CLEA
23A	42430906	1	NOZZLE PART WITH BRUSH GREEN FOR PIPE CL
23A	42430907	1	FLOOR NOZZ PART WITH BRUSH BLUE
23A	42431000	1	FLOOR NOZZ PART WITH BRUSH GRE
23A	42431001	1	FLOOR NOZZ PART WITH BRUSH DARK GREY
23A	42431002	1	NOZZLE PART WITH BRUSH BLACK FOR PIPE C
23A	42431004	1	FLOOR NOZZ PART WITH BRUSH YELLOW
23A	42431005	1	FLOOR NOZZ PART WITH BRUSH RED
23A	42431006	1	FLOOR NOZZ PART WITH BRUSH GREEN
23A	42431007	1	NOZZLE PART WITH BRUSH BLUE FOR PIPE CLE
23A	42431100	1	FLOOR NOZZ PART WITH BRUSH GRE
23A	42431101	1	FLOOR NOZZ PART WITH BRUSH DARK GREY
23A	42431102	1	FL. NOZZ. PART WITH BRUSH BLAC
23A	42431104	1	FLOOR NOZZ PART WITH BRUSH YELLOW
23A	42431105	1	FLOOR NOZZ PART WITH BRUSH RED
23A	42431106	1	FLOOR NOZZ PART WITH BRUSH GREEN
23A	42431107	1	FLOOR NOZZ PART WITH BRUSH BLUE 300MM

# Nozzles 50 mm

GB 725

06-02-2015

Part List ID  
HOSE11

48

Pos	Part no.	Qty	Description
24A	32430801	1	FLOOR NOZZ PART WITH RAIL DARK GRE
24A	32430802	1	FLOOR NOZZ PART WITH RAIL BLAC
24A	32430803	1	NOZZLE PART W.LIPS WHITE FLAT 300MM FDA
24A	32430804	1	NOZZLE PART WITH LIPS YELLOW FLAT 300MM
24A	32430805	1	NOZZLE WITH LIPS RED. FDA. FLAT 300MM
24A	32430806	1	NOZZLE PART WITH LIPS GREEN FLAT 300MM
24A	32430807	1	NOZZLE WITH LIPS BLUE. FDA. FLAT 300MM
25A	42431600	1	NOZZLE PART WITH BRUSH GREY FLAT 300M
25A	42431601	1	NOZZLE PART WITH BRUSH DARK GREEN FLAT
25A	42431602	1	NOZZLE PART W.BRIST.BLACK FLAT 300MM ESD
25A	42431604	1	NOZZLE PART WITH BRUSH YELLOW FLAT 300MM
25A	42431605	1	FLOOR NOZZ PART WITH BRUSH RED
25A	42431606	1	FLOOR NOZZ PART WITH BRUSH GREE
25A	42431607	1	FLOOR NOZZ PART WITH BRUSH



# Nozzles 38 mm

GB 725

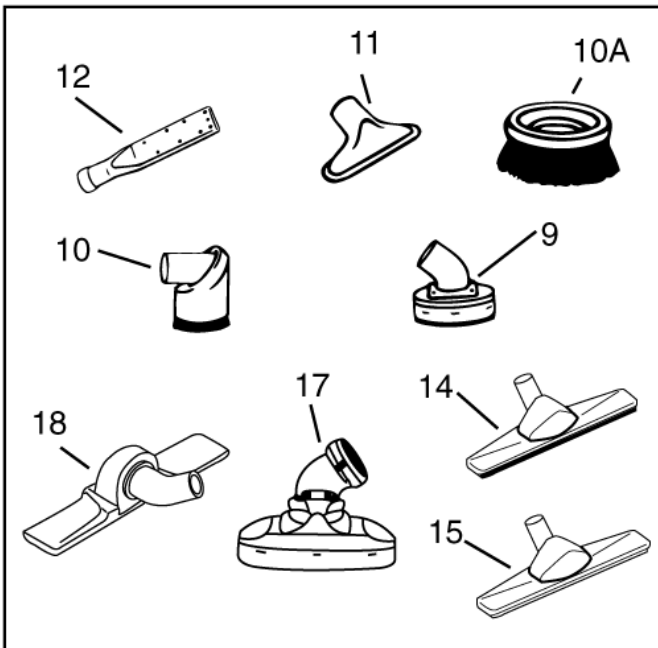
06-02-2015

Part List ID HOSE15

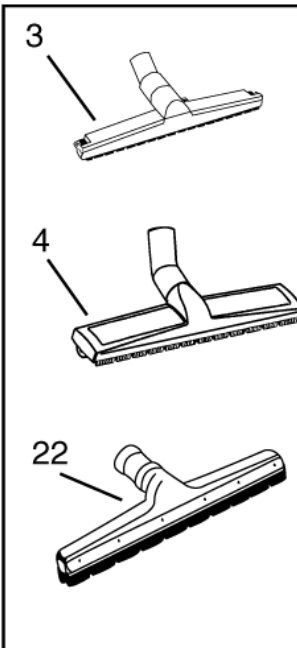
49

See hoses con-  
nection diagram  
for 38mm

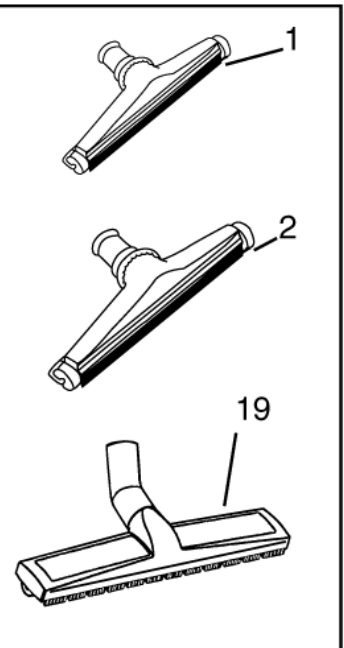
## Brushes & nozzles



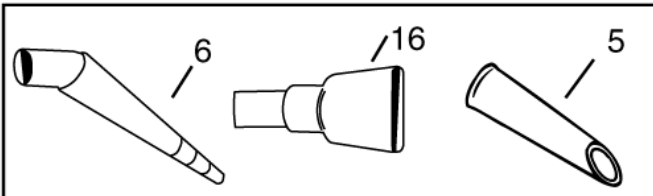
## Wet pick-up



## Wheeled floor nozzle



## Cones



Wood/plastic  
blades

26



Plastic/Lips

26 A



Wood/brush

25



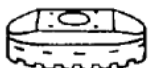
Plastic/Brush

25 A



Wood/plastic  
blades

24



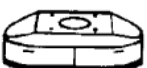
Plastic/Lips

24 A



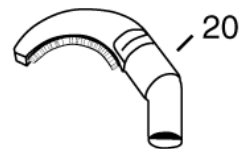
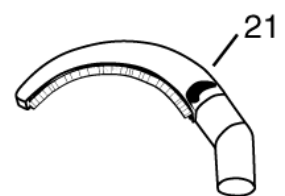
Wood/brush

28

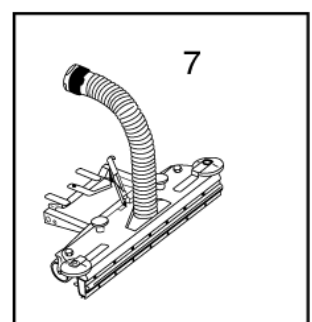


Plastic/Brush

28 A



## Fixed floor nozzle



# Nozzles 38 mm

GB 725

06-02-2015

Part List ID  
HOSE15

50

Pos	Part no.	Qty	Description
1	140 3816 020	1	NOZZLE W/BRISTLES F/38MM
2	10947300	1	GULVMUNDSTYKKE
3	140 3816 020	1	NOZZLE W/BRISTLES F/38MM
3	82168000	1	FLOOR NOZZLE D38 XIW
4	12126700	1	LIQUID NOZZLE D38
5	80956200	1	RUBBER CONDE D38
5	L02956200	1	CONE D38
6	82167900	1	CONIC ACC D38 XIW
9	10989000	1	NOZZLE BRUSH 38MM 100
10	10950200	1	ROUND BRUSH BLACK FOR 38MM BRUSH 70M
10	10950201	1	ROUND BRUSH RED FOR 38MM BRUSH 70M
10	10950202	1	ROUND BRUSH GREEN FOR 38MM BRUSH 70M
10	10950203	1	ROUND BRUSH BLUE FOR 38MM BRUSH 70M
10	10950204	1	ROUND BRUSH WHITE FOR 38MM BRUSH 70M
10	10950205	1	ROUND BRUSH YELLOW FOR 38MM BRUSH 70M
10	12422500	1	ROUND BRUSH NATURAL BRISTLES 70MM F/ 38
11	70945300	1	NOZZLE
12	10949500	1	STEEL FLAT LANCE D38
14	11476101	1	BRUSH D38 MM400
15	11476000	1	CARPET NZL 38 X 400MM
16	82169700	1	FLAT NOZZLE D38 XIW
17	11346800	1	FLOOR NOZZ. 38MM 150MM WOOD
17	11346900	1	FLOOR NOZZ. 38MM 220MM WOOD
17	11347000	1	FLOOR NOZZ. 38MM 300MM WOOD
18	L00396349	1	FRENCH FLOOR NOZZLE HARD
19	12126800	1	HARD FLOOR NOZZ.
20	82191000	1	BENT BRUSH D38
21	82191200	1	BENT BRUSH D38
22	11339500	1	NOZZLE 38/400 ALU.
23	10957400	1	SWIVEL SOCKET 38MM
23	10957411	1	SWIVEL SOCKET 38MM ST. STEEL
24	32430801	1	FLOOR NOZZ PART WITH RAIL DARK GRE
25	10657900	1	MUNDSTYKKE T.RØR 400MM ½
25	10661600	1	MUNDSTYKKE T.RØR 200MM
25	10666400	1	MUNDSTYKKE T.RØR 600MM ½
25	42430900	1	NOZZLE PART WITH BRUSH GREY FOR PIPE CL
25	42431100	1	FLOOR NOZZ PART WITH BRUSH GRE
26	10674600	1	MUNDSTYKKE T.RØR 100MM ½
26	10674700	1	MUNDSTYKKE T.RØR 200MM ½
26	10674800	1	MUNDSTYKKE T RØR 300MM ½
26	10674900	1	MUNDSTYKKE T.RØR 400MM ½
26	10675000	1	MUNDSTYKKE T.RØR 600MM ½
27	10647500	1	MUNDSTYKKE

# Nozzles 38 mm

GB 725

06-02-2015

Part List ID  
HOSE15

51

Pos	Part no.	Qty	Description
28	10647300	1	BASE FLOOR NOZZ. 150MM WOOD
28	10651600	1	BASE FLOOR NOZZ. 300MM WOOD
28	42431600	1	NOZZLE PART WITH BRUSH GREY FLAT 300M
30	22430101	1	NOZZLE LIPS 38MM ST. STEEL FOR PIPE 100M
30	22430102	1	NOZZLE LIPS 38MM FE/ZN FOR PIPE 100MM BL
30	22430103	1	NOZZLE LIPS 38MM ST. STEEL FOR PIPE 100M
30	22430104	1	NOZZLE LIPS 38MM ST. STEEL FOR PIPE 100M
30	22430105	1	NOZZLE LIPS 38MM ST. STEEL FOR PIPE 100M
30	22430106	1	NOZZLE LIPS 38MM ST. STEEL FOR PIPE 100M
30	22430107	1	NOZZLE LIPS 38MM ST. STEEL FOR PIPE 100M
30	22430201	1	NOZZLE LIPS 38MM ST. STEEL FOR PIPE 200M
30	22430202	1	NOZZLE LIPS 38MM FE/ZN FOR PIPE 200MM BL
30	22430203	1	NOZZLE LIPS 38MM ST. STEEL FOR PIPE 200M
30	22430204	1	NOZZLE LIPS 38MM ST. STEEL FOR PIPE 200M
30	22430205	1	NOZZLE LIPS 38MM ST. STEEL FOR PIPE 200M
30	22430206	1	NOZZLE LIPS 38MM ST. STEEL FOR PIPE 200M
30	22430207	1	NOZZLE LIPS 38MM ST. STEEL FOR PIPE 200M
30	22430301	1	NOZZLE LIPS 38MM ST. STEEL FOR PIPE 100M
30	22430302	1	NOZZLE LIPS 38MM FE/ZN FOR PIPE 300MM BL
30	22430303	1	NOZZLE LIPS 38MM ST. STEEL FOR PIPE 300M
30	22430304	1	NOZZLE LIPS 38MM ST. STEEL FOR PIPE 300M
30	22430305	1	NOZZLE LIPS 38MM ST. STEEL FOR PIPE 300M
30	22430306	1	NOZZLE LIPS 38MM ST. STEEL FOR PIPE 300M
30	22430307	1	NOZZLE LIPS 38MM ST. STEEL FOR PIPE 300M
31	22430900	1	NOZZLE BRUSH 38MM FE/ZN FOR PIPE 100MM G
31	22430901	1	NOZZLE BRUSH 38MM ST. STEEL FOR PIPE 100
31	22430902	1	NOZZLE BRUSH 38MM FE/ZN FOR PIPE 100MM B
31	22430904	1	NOZZLE BRUSH 38MM ST. STEEL FOR PIPE 100
31	22430905	1	NOZZLE BRUSH 38MM ST. STEEL FOR PIPE 100
31	22430906	1	NOZZLE BRUSH 38MM ST. STEEL FOR PIPE 100
31	22430907	1	NOZZLE BRUSH 38MM ST. STEEL FOR PIPE 100
31	22431000	1	NOZZLE BRUSH 38MM FE/ZN FOR PIPE 200MM G
31	22431001	1	NOZZLE BRUSH 38MM ST. STEEL FOR PIPE 200
31	22431002	1	NOZZLE BRUSH 38MM FE/ZN FOR PIPE 200MM B
31	22431004	1	NOZZLE BRUSH 38MM ST. STEEL FOR PIPE 200
31	22431005	1	NOZZLE BRUSH 38MM ST. STEEL FOR PIPE 200
31	22431006	1	NOZZLE BRUSH 38MM ST. STEEL FOR PIPE 200
31	22431007	1	NOZZLE BRUSH 38MM ST. STEEL FOR PIPE 200
31	22431100	1	NOZZLE BRUSH 38MM FE/ZN FOR PIPE 300MM G
31	22431101	1	NOZZLE BRUSH 38MM ST. STEEL FOR PIPE 300
31	22431102	1	NOZZLE BRUSH 38MM FE/ZN FOR PIPE 300MM B
31	22431104	1	NOZZLE BRUSH 38MM ST. STEEL FOR PIPE 300
31	22431105	1	NOZZLE BRUSH 38MM ST. STEEL FOR PIPE 300

# Nozzles 38 mm

GB 725

06-02-2015

Part List ID  
HOSE15

52

Pos	Part no.	Qty	Description
31	22431106	1	NOZZLE BRUSH 38MM ST. STEEL FOR PIPE 300
31	22431107	1	NOZZLE BRUSH 38MM ST. STEEL FOR PIPE 300
32	22430801	1	NOZZLE LIPS 38MM ST. STEEL FLAT 300MM DA
32	22430802	1	NOZZLE LIPS 38MM FE/ZN FLAT 300MM BLACK
32	22430803	1	NOZZLE LIPS 38MM ST. STEEL FLAT 300MM WH
32	22430804	1	NOZZLE LIPS 38MM ST. STEEL FLAT 300MM YE
32	22430805	1	NOZZLE LIPS 38MM ST. STEEL FLAT 300MM RE
32	22430806	1	NOZZLE LIPS 38MM ST. STEEL FLAT 300MM GR
32	22430807	1	NOZZLE LIPS 38MM ST. STEEL FLAT 300MM BL
33	22431600	1	NOZZLE BRUSH 38MM FE/ZN FLAT 300MM GREY
33	22431601	1	NOZZLE BRUSH 38MM ST. STEEL FLAT 300MM D
33	22431602	1	NOZZLE BRUSH 38MM FE/ZN FLAT 300MM BLACK
33	22431604	1	NOZZLE BRUSH 38MM ST. STEEL FLAT 300MM Y
33	22431605	1	NOZZLE BRUSH 38MM ST. STEEL FLAT 300MM R
33	22431606	1	NOZZLE BRUSH 38MM ST. STEEL FLAT 300MM G
33	22431607	1	NOZZLE BRUSH 38MM ST. STEEL FLAT 300MM B
10A	80630800	1	ROUND BRUSH RING BLACK 70
10A	80630801	1	ROUND BRUSH RING RED 70MM
10A	80630802	1	ROUND BRUSH RING GREEN 70MM
10A	80630803	1	ROUND BRUSH RING BLUE 70MM
10A	80630805	1	ROUND BRUSH RING YELLOW 70MM
23A	42430904	1	NOZZLE PART WITH BRUSH YELLOW FOR PIPE C
23A	42430905	1	NOZZLE PART WITH BRUSH RED FOR PIPE CLEA
23A	42430906	1	NOZZLE PART WITH BRUSH GREEN FOR PIPE CL
23A	42430907	1	FLOOR NOZZ PART WITH BRUSH BLUE
23A	42431004	1	FLOOR NOZZ PART WITH BRUSH YELLOW
23A	42431005	1	FLOOR NOZZ PART WITH BRUSH RED
23A	42431006	1	FLOOR NOZZ PART WITH BRUSH GREEN
23A	42431007	1	NOZZLE PART WITH BRUSH BLUE FOR PIPE CLE
23A	42431104	1	FLOOR NOZZ PART WITH BRUSH YELLOW
23A	42431105	1	FLOOR NOZZ PART WITH BRUSH RED
23A	42431106	1	FLOOR NOZZ PART WITH BRUSH GREEN
23A	42431107	1	FLOOR NOZZ PART WITH BRUSH BLUE 300MM
24A	32430801	1	FLOOR NOZZ PART WITH RAIL DARK GRE
24A	32430802	1	FLOOR NOZZ PART WITH RAIL BLAC
24A	32430803	1	NOZZLE PART W.LIPS WHITE FLAT 300MM FDA
24A	32430804	1	NOZZLE PART WITH LIPS YELLOW FLAT 300MM
24A	32430805	1	NOZZLE WITH LIPS RED. FDA. FLAT 300MM
24A	32430806	1	NOZZLE PART WITH LIPS GREEN FLAT 300MM
24A	32430807	1	NOZZLE WITH LIPS BLUE. FDA. FLAT 300MM
25A	42430900	1	NOZZLE PART WITH BRUSH GREY FOR PIPE CL
25A	42430901	1	FLOOR NOZZ PART WITH BRUSH DARK GREY
25A	42430902	1	NOZZLE PART WITH BRUSH BLACK FOR PIPE C

# Nozzles 38 mm

GB 725

06-02-2015

Part List ID  
HOSE15

53

Pos	Part no.	Qty	Description
25A	42431000	1	FLOOR NOZZ PART WITH BRUSH GRE
25A	42431001	1	FLOOR NOZZ PART WITH BRUSH DARK GREY
25A	42431002	1	NOZZLE PART WITH BRUSH BLACK FOR PIPE C
25A	42431100	1	FLOOR NOZZ PART WITH BRUSH GRE
25A	42431101	1	FLOOR NOZZ PART WITH BRUSH DARK GREY
25A	42431102	1	FL. NOZZ. PART WITH BRUSH BLAC
25A	42431604	1	NOZZLE PART WITH BRUSH YELLOW FLAT 300MM
25A	42431605	1	FLOOR NOZZ PART WITH BRUSH RED
25A	42431606	1	FLOOR NOZZ PART WITH BRUSH GREE
25A	42431607	1	FLOOR NOZZ PART WITH BRUSH
26A	32430101	1	FLOOR NOZZ PART WITH RAIL DARK GREY
26A	32430102	1	FLOOR NOZZ PART WITH RAIL BLACK
26A	32430103	1	FLOOR NOZZ PART WITH RAIL WHITE
26A	32430104	1	NOZZLE PART WITH LIPS YELLOW FOR PIPE CL
26A	32430105	1	FLOOR NOZZ PART WITH RAIL RED
26A	32430106	1	FLOOR NOZZ PART WITH RAIL GREEN
26A	32430107	1	FLOOR NOZZ PART WITH RAIL BLUE
26A	32430201	1	FLOOR NOZZ PART WITH RAIL DARK GREY
26A	32430202	1	FLOOR NOZZ. WITH RAIL BLACK ESD
26A	32430203	1	FLOOR NOZZ PART WITH RAIL WHITE
26A	32430204	1	FLOOR NOZZ PART WITH RAIL YELLOW
26A	32430205	1	FLOOR NOZZ PART WITH RAIL RED
26A	32430206	1	FLOOR NOZZ PART WITH RAIL GREEN
26A	32430207	1	FLOOR NOZZ PART WITH RAIL BLUE
26A	32430301	1	FLOOR NOZZ PART WITH RAIL DARK GREY
26A	32430302	1	FLOOR NOZZ PART WITH RAIL BLACK
26A	32430303	1	FLOOR NOZZ PART WITH RAIL WHITE
26A	32430304	1	FLOOR NOZZ PART WITH RAIL YELLOW
26A	32430305	1	NOZZLE PART WITH LIPS RED FOR PIPE CLEAN
26A	32430306	1	FLOOR NOZZ PART WITH RAIL GREEN
26A	32430307	1	FLOOR NOZZ PART WITH RAIL BLUE
28A	42431600	1	NOZZLE PART WITH BRUSH GREY FLAT 300M
28A	42431601	1	NOZZLE PART WITH BRUSH DARK GREEN FLAT
28A	42431602	1	NOZZLE PART W.BRIST.BLACK FLAT 300MM ESD

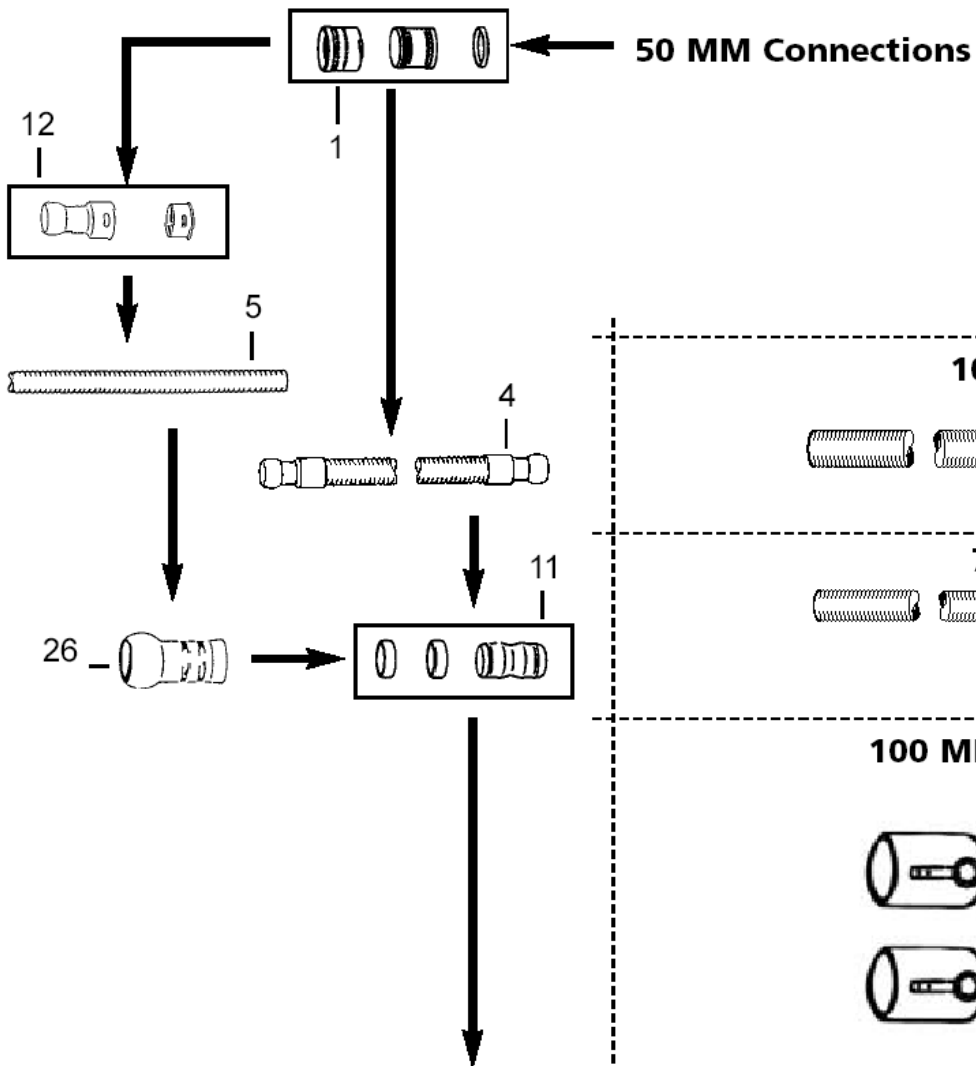
# For custom hose length 100-70-50 mm

GB 725

06-02-2015

Part List ID  
HOSEPG16

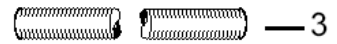
54



## 100 MM Hoses



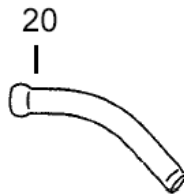
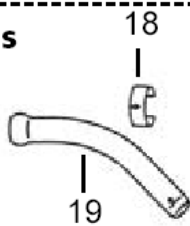
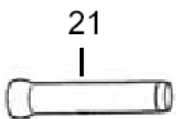
## 70 MM Hoses



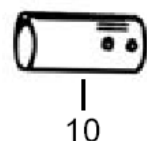
## 100 MM End pieces



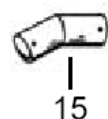
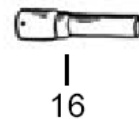
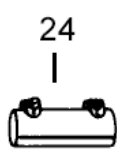
## 50 MM Connections



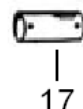
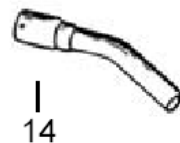
## 70 MM End pieces



## Tube Connections 50 MM



## 70 MM and 50 MM Connections



# For custom hose length 100-70-50 mm

GB 725

06-02-2015

Part List ID  
HOSEPG16

55

Pos	Part no.	Qty	Description
1	22344200	1	SLEEVE
2	82351600	1	PLASTIC HOSE Ø 100MMX10M COND
2	82359300	1	POLYURETHAN HOSE Ø100X15M
3	82351500	1	PLASTHOSE Ø 70MMX10M CONDU
3	82359200	1	POLYURETHAN HOSE Ø70X15M
4	20624200	1	HOSE 50/2M RUBB. BALL
4	4072400221	1	RUBBER HOSE MT3 D50 + ADAPTER
4	61604100	1	HOSE 50MM/3M PLAST. BALLS
4	82246200	1	HOSE 50/2M CON. BALLS
4	82246300	1	HOSE 50/3M CON BALLS
4	82246400	1	HOSE 50/10M CON. BALLS
4	82246500	1	HOSE 50/5M CON. BALLS
4	82255900	1	HOSE 50/2M PLAST. BALLS
4	82256100	1	HOSE 50/5M PLAST. BALLS
4	82256300	1	HOSE 50/10M PLAST. BALLS
4	82290500	1	HOSE 50/2M OIL BALLS
4	82290600	1	HOSE 50/3M OIL BALLS
4	82290700	1	HOSE 50/5M OIL BALLS
4	82290800	1	HOSE 50MM/10M OIL BALL
4	L02159900	1	METAL HOSE 3M/50MM
4	L03066303	1	TRANSP.PUR H HOSE 3M/50
5	82295700	1	25M- Ø 50MM PLASTIC HOSE
5	82309700	1	25M Ø 50MM CONDUCTIVE HOSE
5	82359100	1	POLYURETHANE HOSE Ø50X15M
7	L03056100	1	CONNECTION FOR HOSE D100
8	L03056101	1	HOSE .E 100MM WITH RA 15M
9	L03066100	1	PLASTIK-MANSCHETTE 70MM
10	L03056000	1	CONNECTION FOR HOSE D70
11	22339700	1	JUNCTION KIT AND TWO RINGS D50
12	22340100	1	BALL JOINT/BUSH KIT GREY 50
12	22340300	1	BALL JOINT/BUSH BLACK 50
12	22340500	1	BALL JOINT/BUSH BLUE OIL 50MM
13	31080200	1	HOSE NOZZLE
14	L03056600	1	BENT PIPE 70 /50
15	L03056203	1	BENT SLEEVE FOR PIPE 70/ 7
16	L03057400	1	STRAIGHT PIPE 70/50
17	L03056200	1	SLEEVE FOR PIPE 70 /70
18	31316900	1	SPRING CLIP 50/70MM TUBES
19	21318100	1	PIPE BENT 50MM SPRING LOCK
20	10624400	1	BENT JUNCTION D50
21	10984600	1	DIRECT FITTING D38