

ATTIX 145/155

Model:
ATTIX 145
ATTIX 155



Stückliste Deutsch

17-08-2014

Inhalt

ATTIX 145/155

Car 01	3
Car 02	5
Car 03	7
Car 04	9
Behälter	11
Liquid kit	13
Rüttlereinheit	15
Filtergruppe	17
Vaucoumeter	19
Suction unit (Mod. 145)	21
Suction unit (Mod. 155)	23
Connection suction unit (Mod. 145)	25
Connection suction unit (Mod. 155)	27

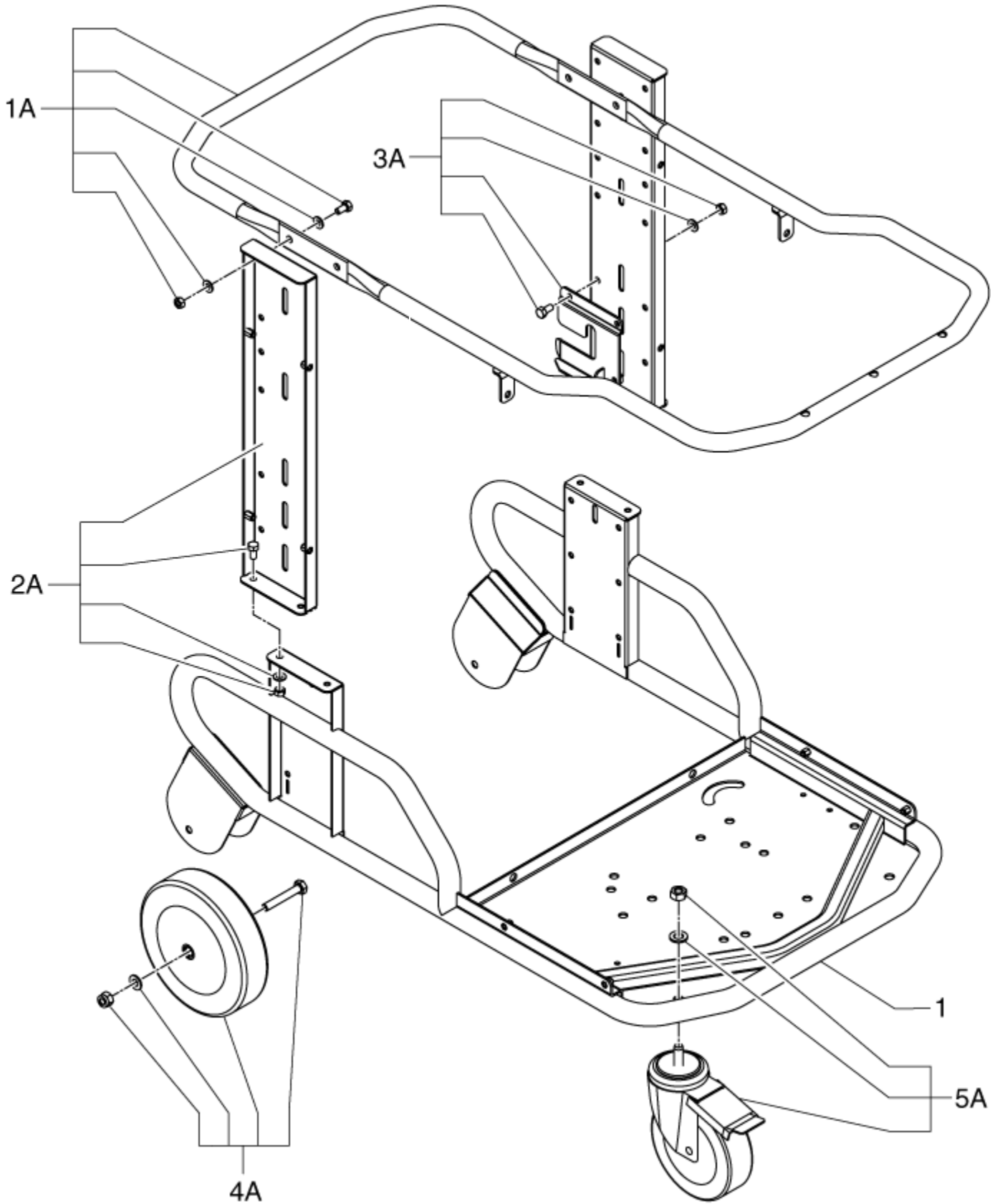
Car 01

ATTIX 145/155

17-08-2014

ET-Liste-Nr.
ATTIX14515501

3



Car 01

ATTIX 145/155

17-08-2014

ET-Liste-Nr.
AT I IX14515501

4

Pos	Artikelnr.	Me	Beschreibung
1	4083600656	1	TROLLEY FOR MODEL T22-T40-T40W
1A	40000962	1	HANDLE KIT
2A	40000871	1	UPRIGHT KIT
3A	40000872	1	BefestigungsKit
4A	40000873	1	Rad D200 Kit
5A	40000874	1	KIT REVOLV. CASTOR D150

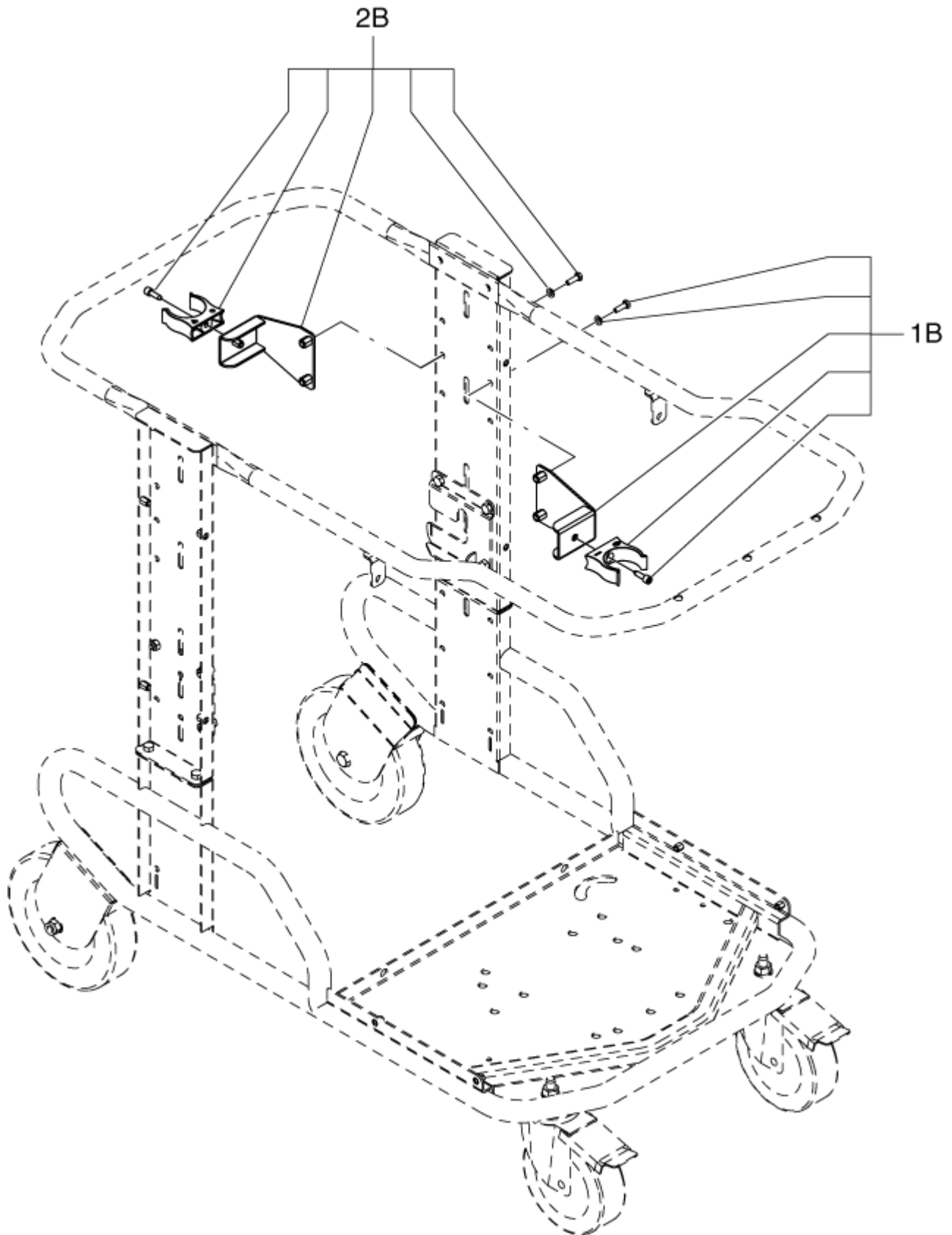
Car 02

ATTIX 145/155

17-08-2014

ET-Liste-Nr.
ATTIX14515503

5



Car 02
ATTIX 145/155

17-08-2014

ET-Liste-Nr.
A11IX14515503

6

Pos	Artikelnr.	Me	Beschreibung
------------	-------------------	-----------	---------------------

1B	40000856	1	Schlauchhalter
----	----------	---	----------------

2B	40000856	1	Schlauchhalter
----	----------	---	----------------

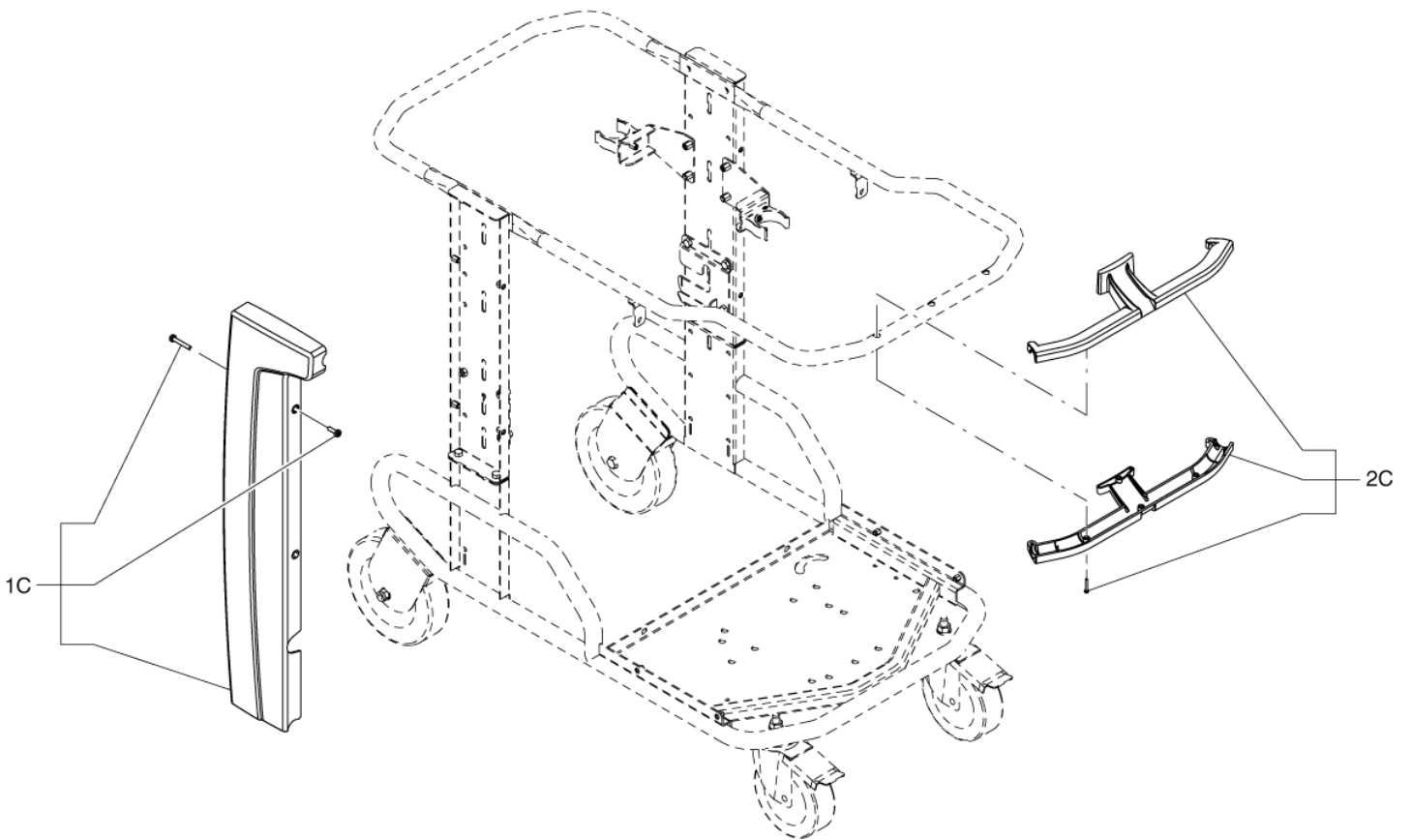
Car 03

ATTIX 145/155

17-08-2014

ET-Liste-Nr.
ATTIX14515505

7



Car 03
ATTIX 145/155

17-08-2014

ET-Liste-Nr.
A11IX14515505

8

Pos	Artikelnr.	Me	Beschreibung
-----	------------	----	--------------

1C	40000864	1	Verkleidung
----	----------	---	-------------

2C	40000855	1	Griff kit
----	----------	---	-----------

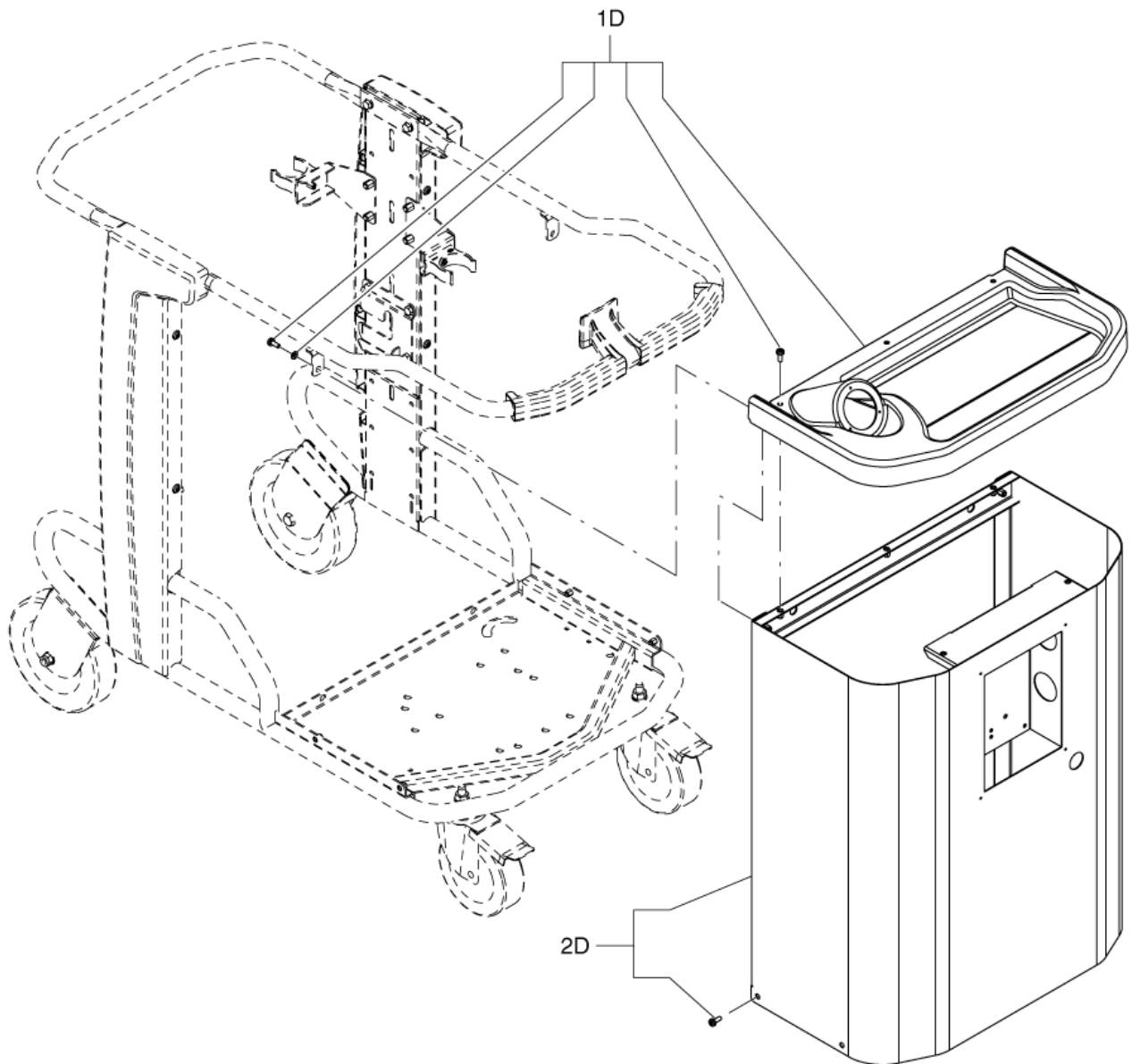
Car 04

ATTIX 145/155

17-08-2014

ET-Liste-Nr.
ATTIX14515507

9



Car 04

ATTIX 145/155

17-08-2014

ET-Liste-Nr.
A11IX14515507

10

Pos	Artikelnr.	Me	Beschreibung
-----	------------	----	--------------

1D	40000963	1	COMPARTMENT KIT
----	----------	---	-----------------

2D	40000964	1	CARTER KIT
----	----------	---	------------

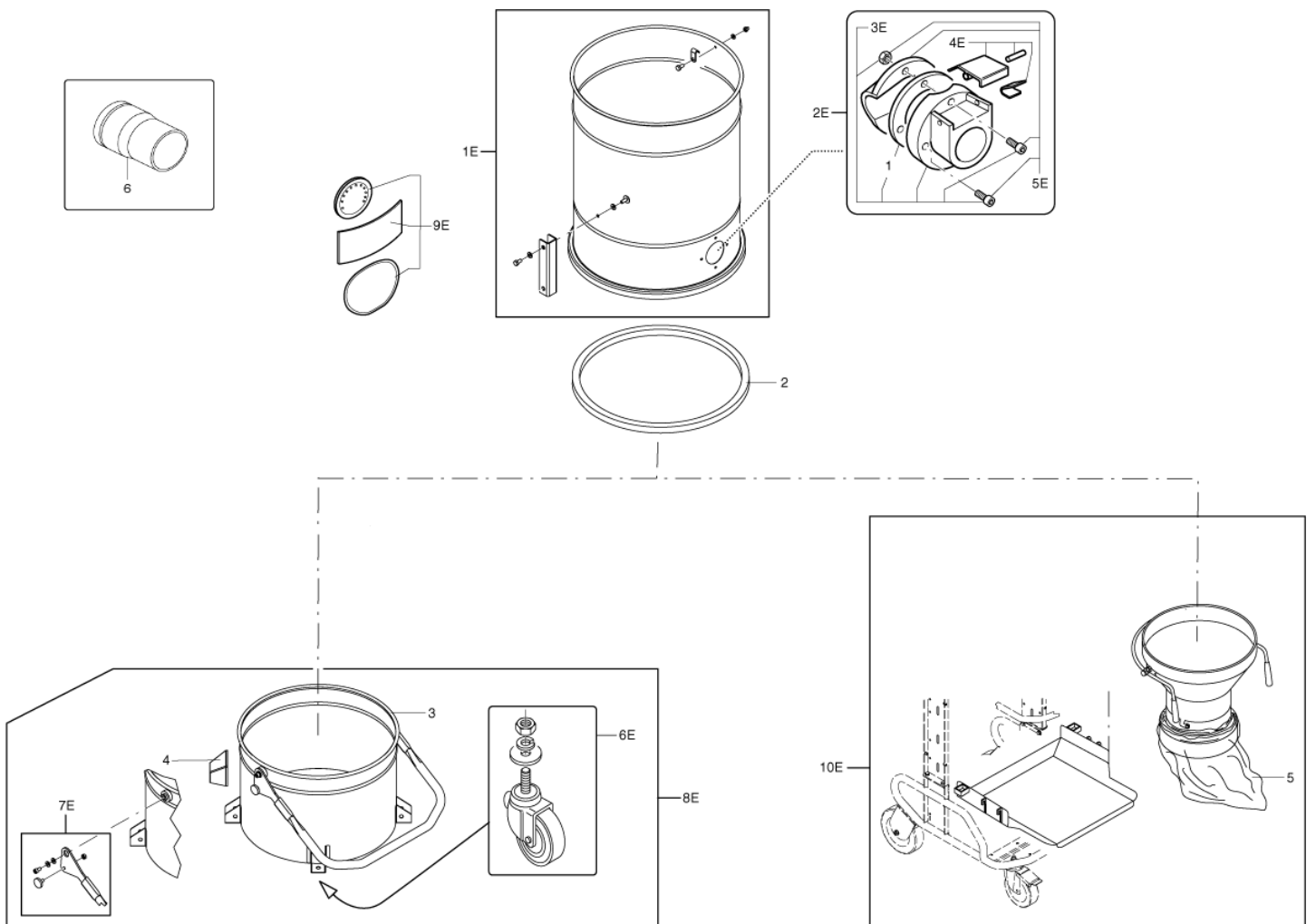
Behälter

ATTIX 145/155

17-08-2014

ET-Liste-Nr.
ATTIX14515509

11



Behälter

ATTIX 145/155

17-08-2014

ET-Liste-Nr.
AT IX14515509

12

Pos	Artikelnr.	Me	Beschreibung
1	Z8 17006	1	Dichtungsring D70
2	40000762	1	Dichtring
3	4083000550	1	Behälter 100lx M.S3R5005
4	Z8 17021	4	BUMPER WHEEL HOLDER
5	4084000956	1	MINI PACKAGE 4x20 MT 55 MICRON LONGOPAC 4x20m, f. 137, SOL, 08
5	4084001017	1	Ersatzbeutel Longopac 5 Stk. PE Beutel LDPE
1E	4089100009	1	FILTER CHAMBER KIT
2E	40000868	1	Anschluss D70
3E	40000867	1	D70 INLET KIT
4E	40000345	1	KIT PUSHBUTTON FOR INLET D70
5E	40000395	1	KIT DEFLECTOR D70
6E	40000419	1	Rad Kit zu 100l Kübel
7E	40000879	1	Handgriff Kit
8E	4083000554	1	D460 Behälter kpl.L100 M.S3R5005 L100 M.S3R5005
9E	4089100016	1	STICKER KIT
10E	4056000468	1	Schwerkraftklappe f. S/T, Stahl sw.

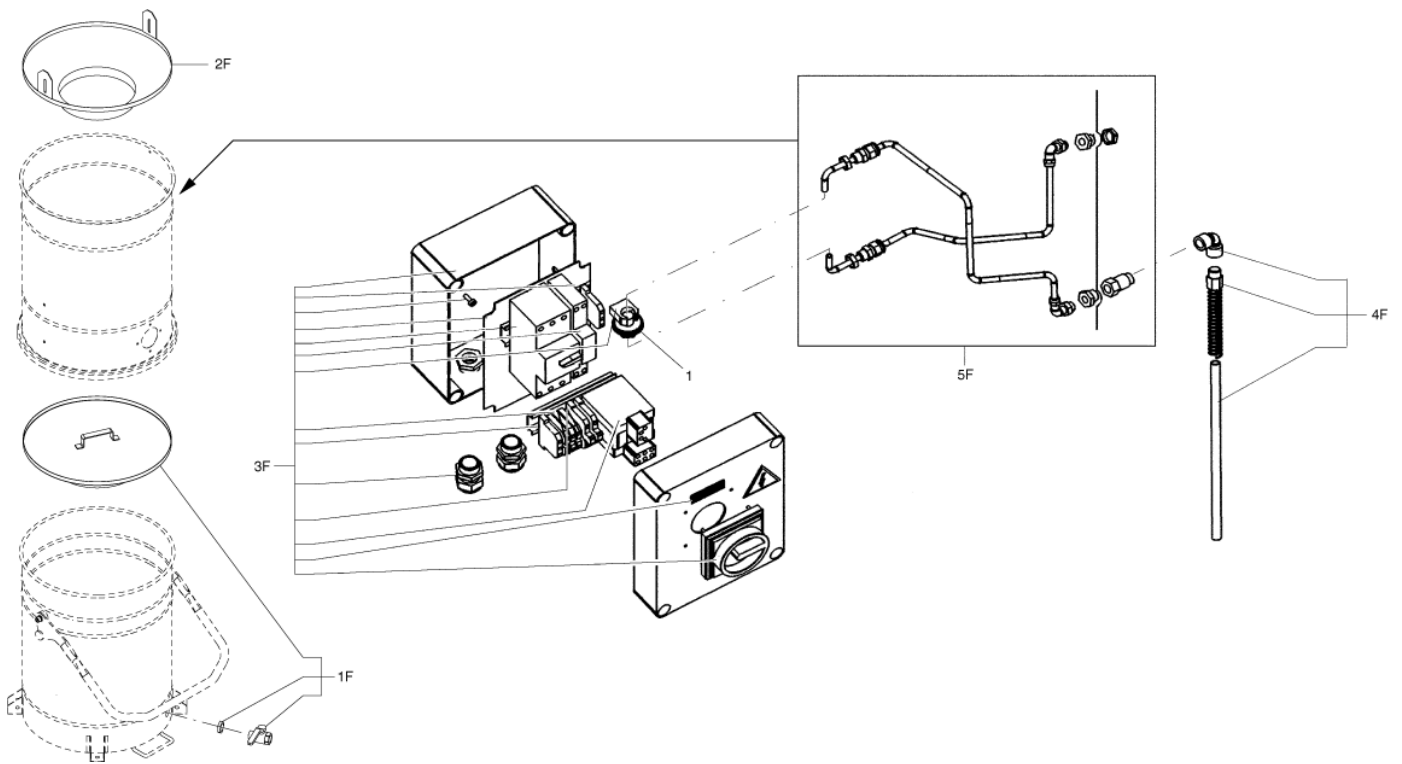
Liquid kit

ATTIX 145/155

17-08-2014

ET-Liste-Nr.
ATTIX14515511

13



Liquid kit

ATTIX 145/155

17-08-2014

ET-Liste-Nr.
A111X14515511

14

Pos	Artikelnr.	Me	Beschreibung
1	Z8 40841	1	Druckschalter 8,8MBar
1F	Z5 60034	1	Spänesieb mit Ablasshahn für Behälter 3/ D460 Stahl verz., 3/4"
2F	Z5 60109	1	EXTRACT.CYCLONE D460 FE COMPLETE BIG D460 Stahl verzinkt
3F	40000478	1	Steuerung, elektr.
4F	40000966	1	LEVEL CONTROL INT. HOSE KIT
5F	40000965	1	LEVEL CONTROL EXT. HOSE KIT

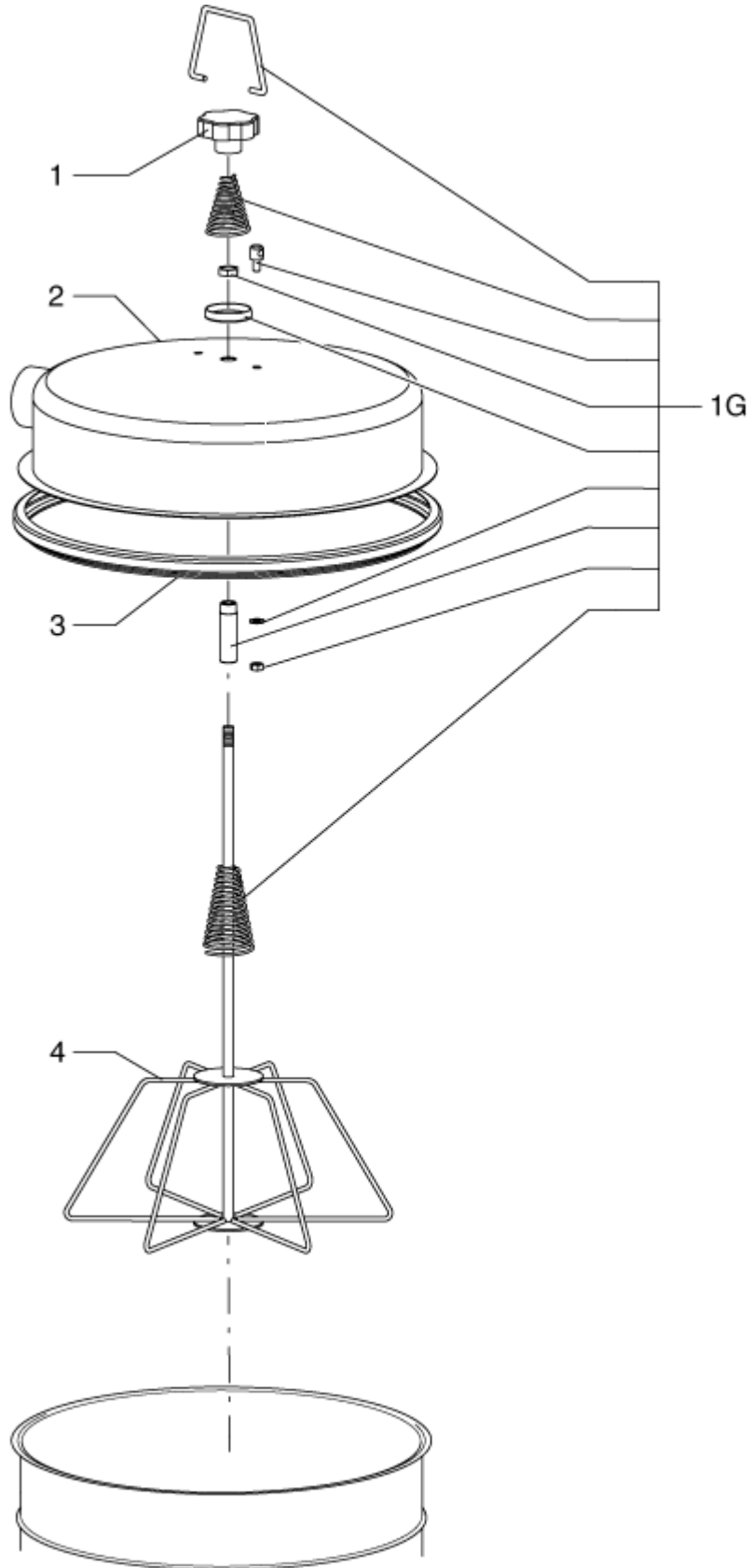
Rüttlereinheit

ATTIX 145/155

17-08-2014

ET-Liste-Nr.
ATTIX14515513

15



Rüttlereinheit

ATTIX 145/155

17-08-2014

ET-Liste-Nr.
A11IX14515513

16

Pos	Artikelnr.	Me	Beschreibung
1	Z8 40027	1	KNOB D70 M12 NO HOLE
2	4083101085	1	Deckel Filterkammer D460 RAL 7016
3	Z8 36191	1	Spannring
4	Z8 33324	1	STAR CAGE D460 FE x SOL
1G	40000313	1	Gestängekit f. Filter- rüttler

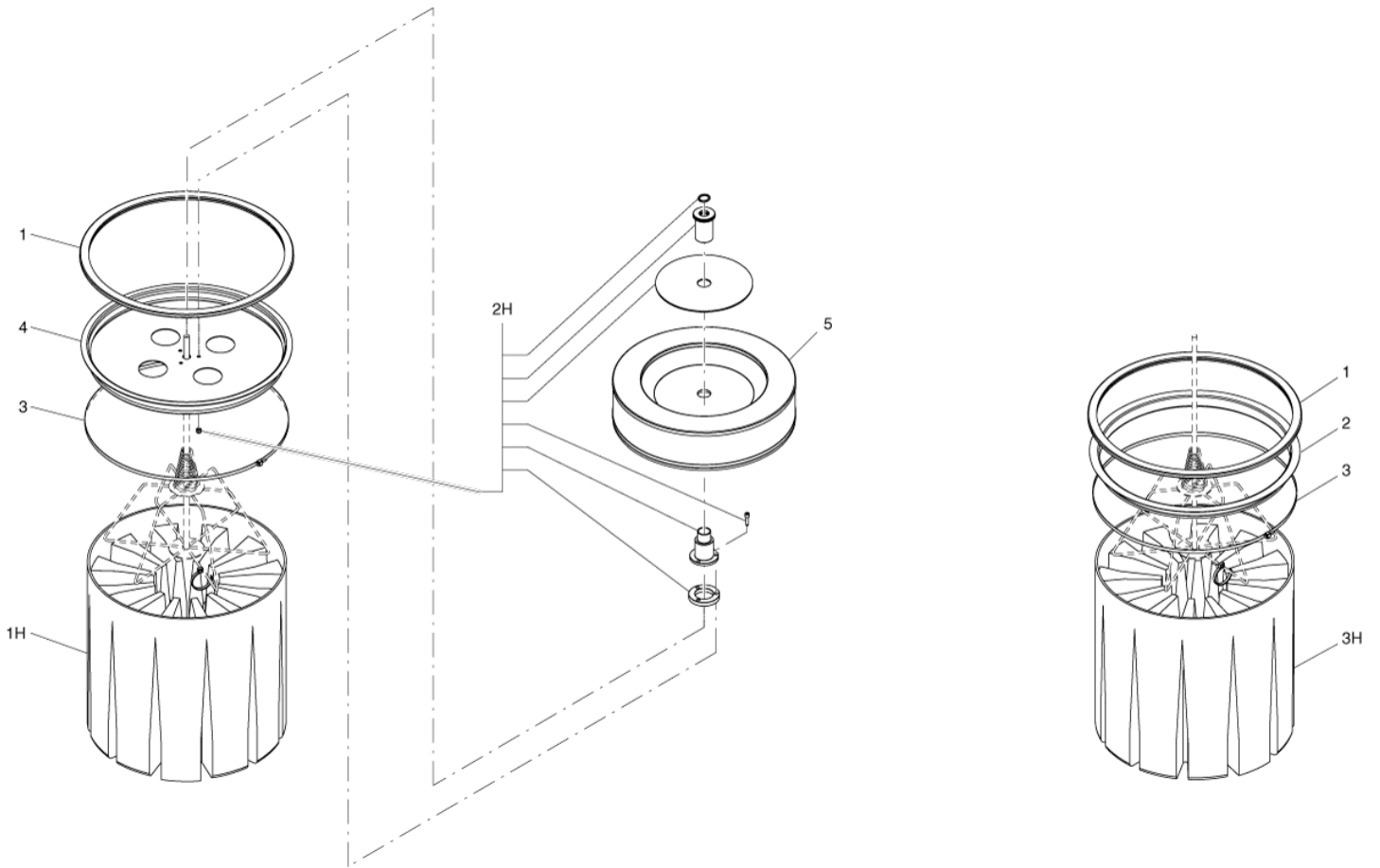
Filtergruppe

ATTIX 145/155

17-08-2014

ET-Liste-Nr.
ATTIX14515515

17



Filtergruppe

ATTIX 145/155

17-08-2014

ET-Liste-Nr.
AT IX14515515

18

Pos	Artikelnr.	Me	Beschreibung
1	Z8 17026	1	Filterringdichtung
2	Z8 15003	1	Filterring D460 FE
3	Z8 18079	1	Filterschelle
4	4081500203	1	HEPA F. FIXING DISK FOR S2-S3
5	4081700935	1	AU-Filter 415x100
1H	40000338	1	KIT STAR FILTER D460 L CLASS
2H	40000967	1	AU-Filter Montage-Kit
3H	40000338	1	KIT STAR FILTER D460 L CLASS

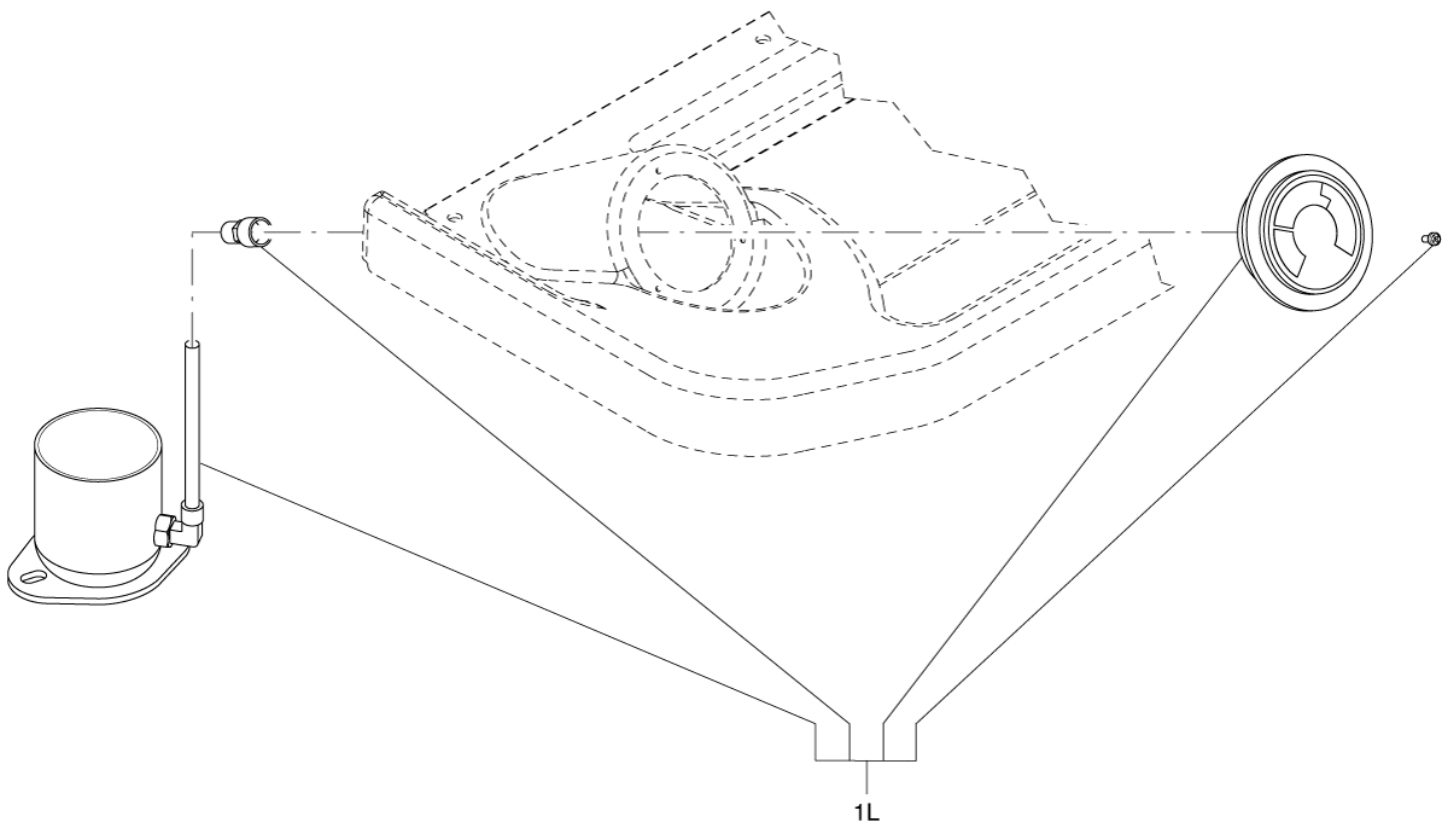
Vaucoumeter

ATTIX 145/155

17-08-2014

ET-Liste-Nr.
ATTIX14515517

19



Vaucoumeter

ATTIX 145/155

17-08-2014

ET-Liste-Nr.
A11IX14515517

20

Pos	Artikelnr.	Me	Beschreibung
1L	40000968	1	Vacuum-Manometer-Kit

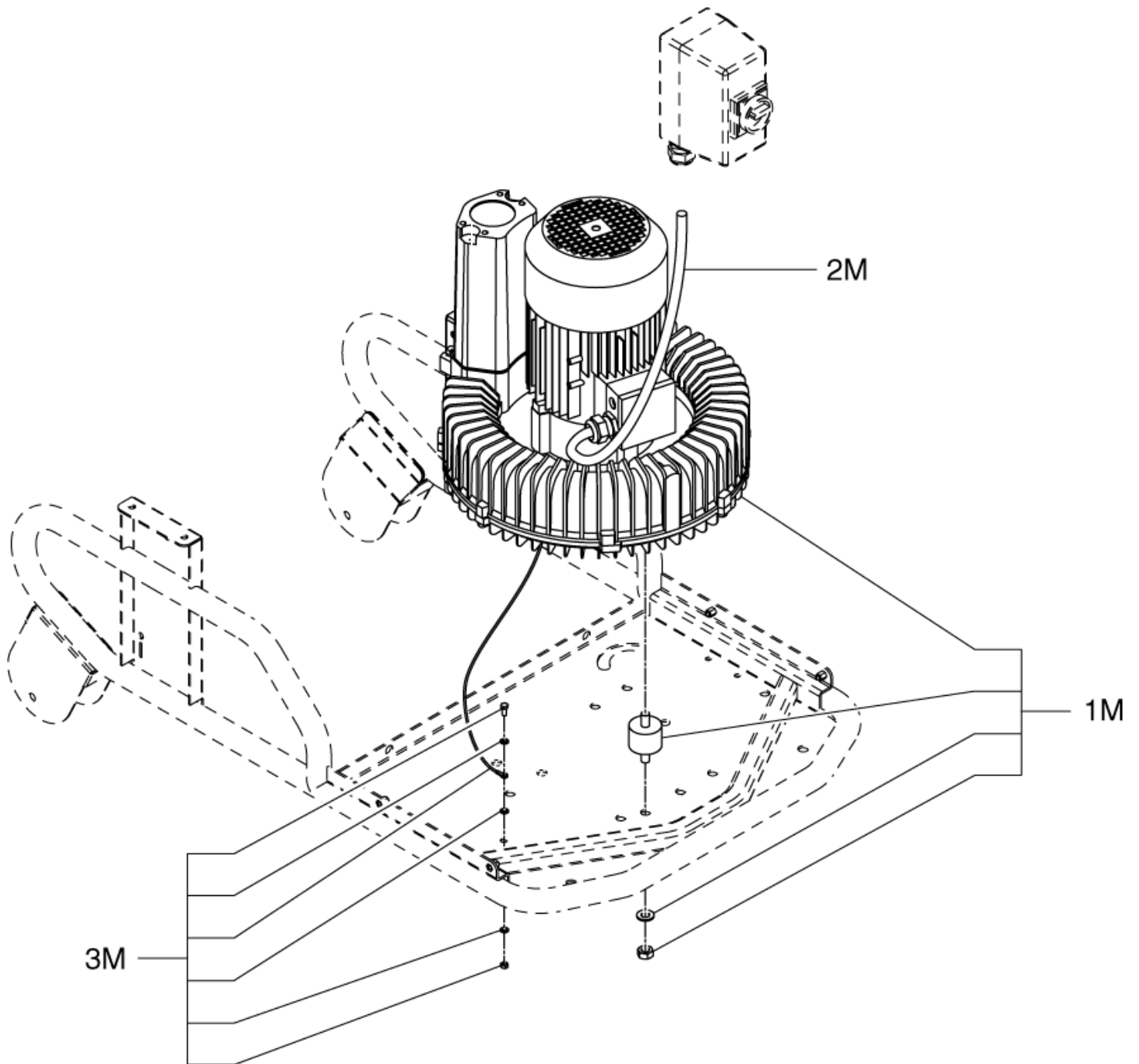
Suction unit (Mod. 145)

ATTIX 145/155

17-08-2014

ET-Liste-Nr.
ATTIX14515519

21



Suction unit (Mod. 145)

ATTIX 145/155

17-08-2014

ET-Liste-Nr.
A I I X 14515519

22

Pos	Artikelnr.	Me	Beschreibung
1M	40000970	1	Verdichter Mod. T22
2M	40000876	1	Motorkabel
3M	40000877	1	GROUND CABLE KIT

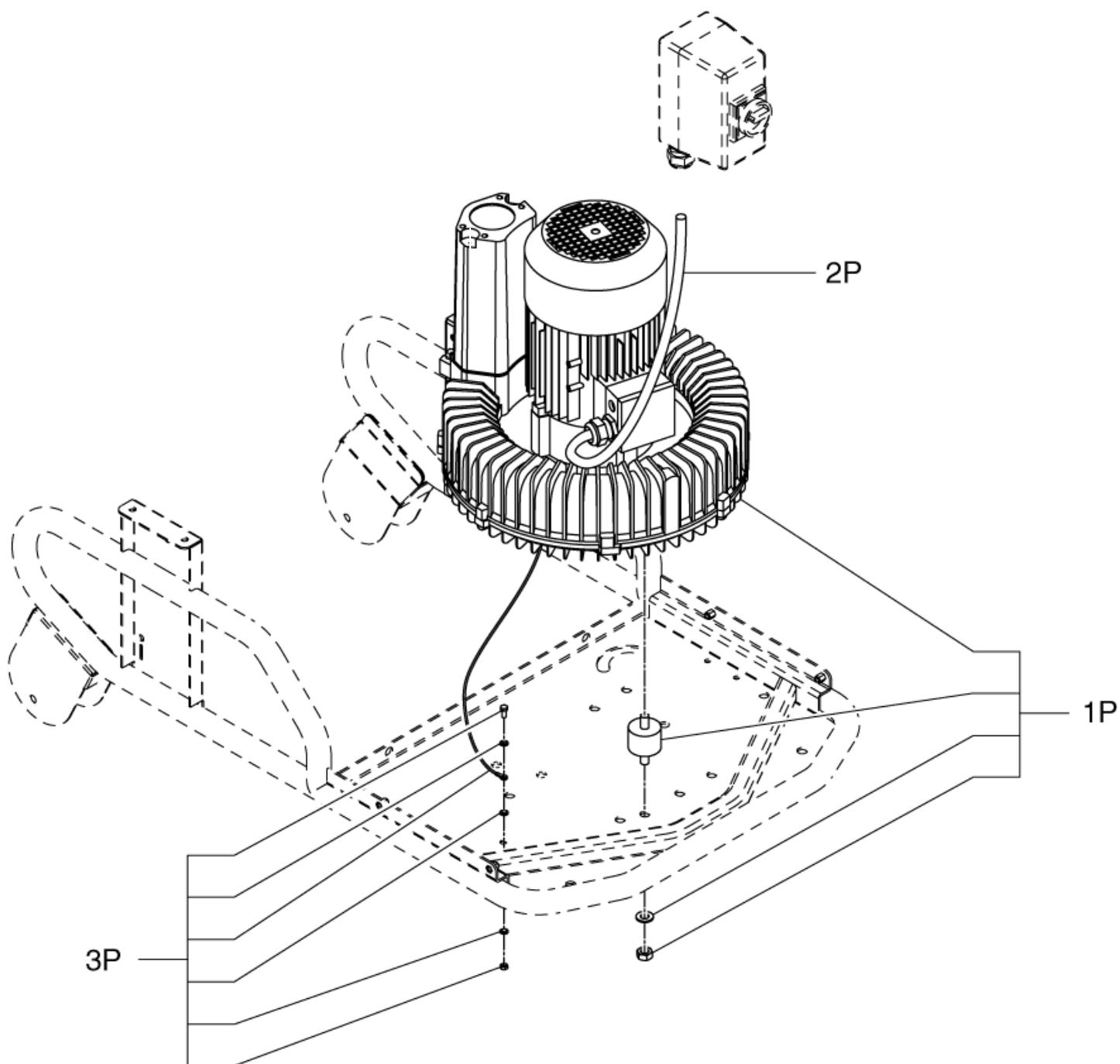
Suction unit (Mod. 155)

ATTIX 145/155

17-08-2014

ET-Liste-Nr.
ATTIX14515521

23



Suction unit (Mod. 155)

ATTIX 145/155

17-08-2014

ET-Liste-Nr.
A11IX14515521

24

Pos	Artikelnr.	Me	Beschreibung
1P	40000973	1	Verdichter Mod. T40W
2P	40000876	1	Motorkabel
3P	40000877	1	GROUND CABLE KIT

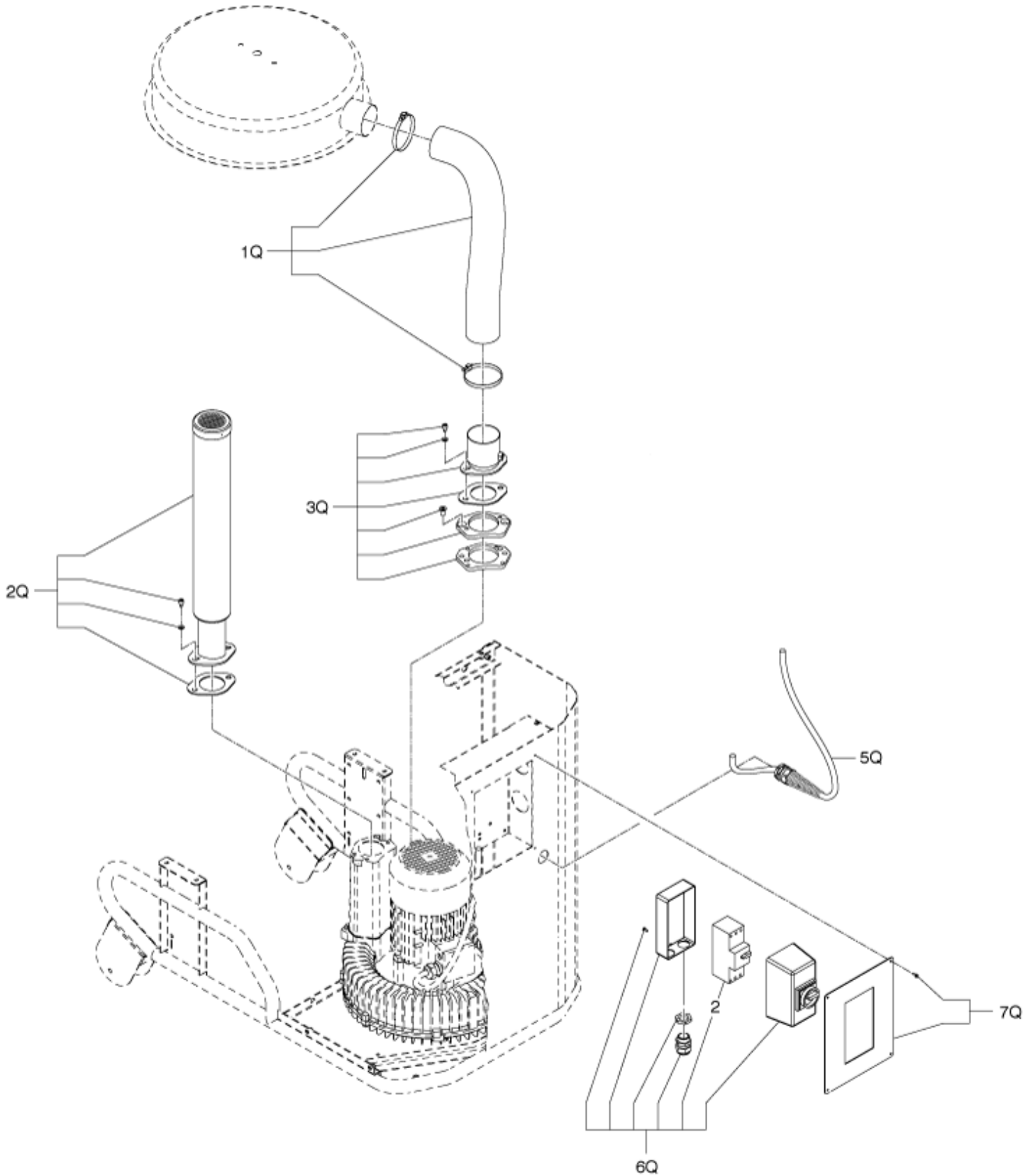
Connection suction unit (Mod. 145)

ATTIX 145/155

17-08-2014

ET-Liste-Nr.
ATTIX14515523

25



Connection suction unit (Mod. 145)

ATTIX 145/155

17-08-2014

ET-Liste-Nr.
A11IX145155Z3

26

Pos	Artikelnr.	Me	Beschreibung
2	Z8 39915	1	CIRCUIT BREAKER 5.5-8 A SIRIUS S0
1Q	40000716	1	Absaugschlauchkit
2Q	40000504	1	Schalldämpferkit
3Q	40000977	1	SUCTION CONNECTION KIT
5Q	40000839	1	POWER CABLE KIT 5 POLES V400
6Q	40000567	1	Hauptschalter
7Q	40000979	1	CARTER KIT

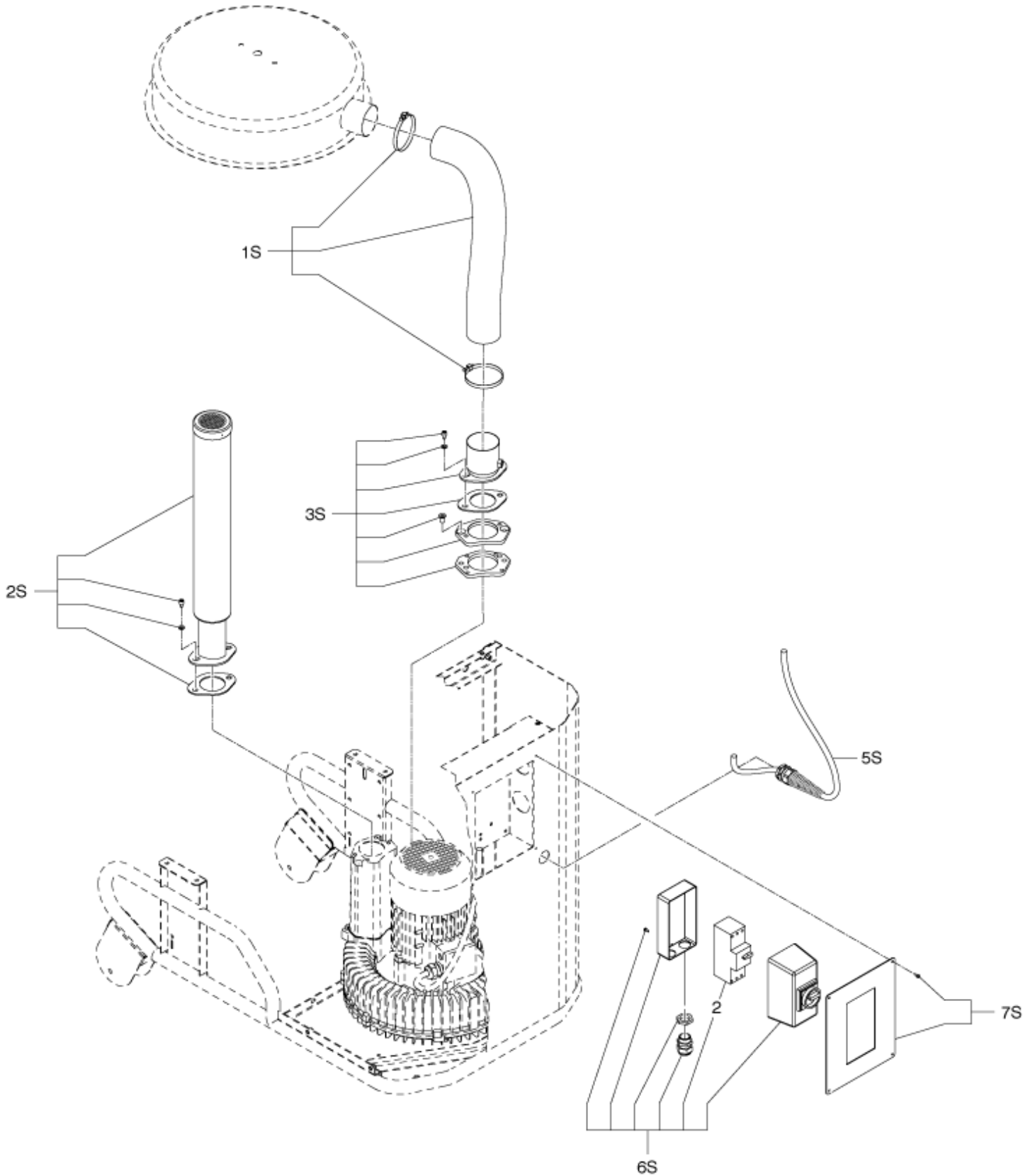
Connection suction unit (Mod. 155)

ATTIX 145/155

17-08-2014

ET-Liste-Nr.
ATTIX14515525

27



Connection suction unit (Mod. 155)

ATTIX 145/155

17-08-2014

ET-Liste-Nr.
A111X14515525

28

Pos	Artikelnr.	Me	Beschreibung
2	Z8 39916	1	Motorschutzschalter
1S	40000716	1	Absaugschlauchkit
2S	40000980	1	SILENCER KIT
3S	40000977	1	SUCTION CONNECTION KIT
5S	40000839	1	POWER CABLE KIT 5 POLES V400
6S	40000573	1	Hauptschalter
7S	40000979	1	CARTER KIT