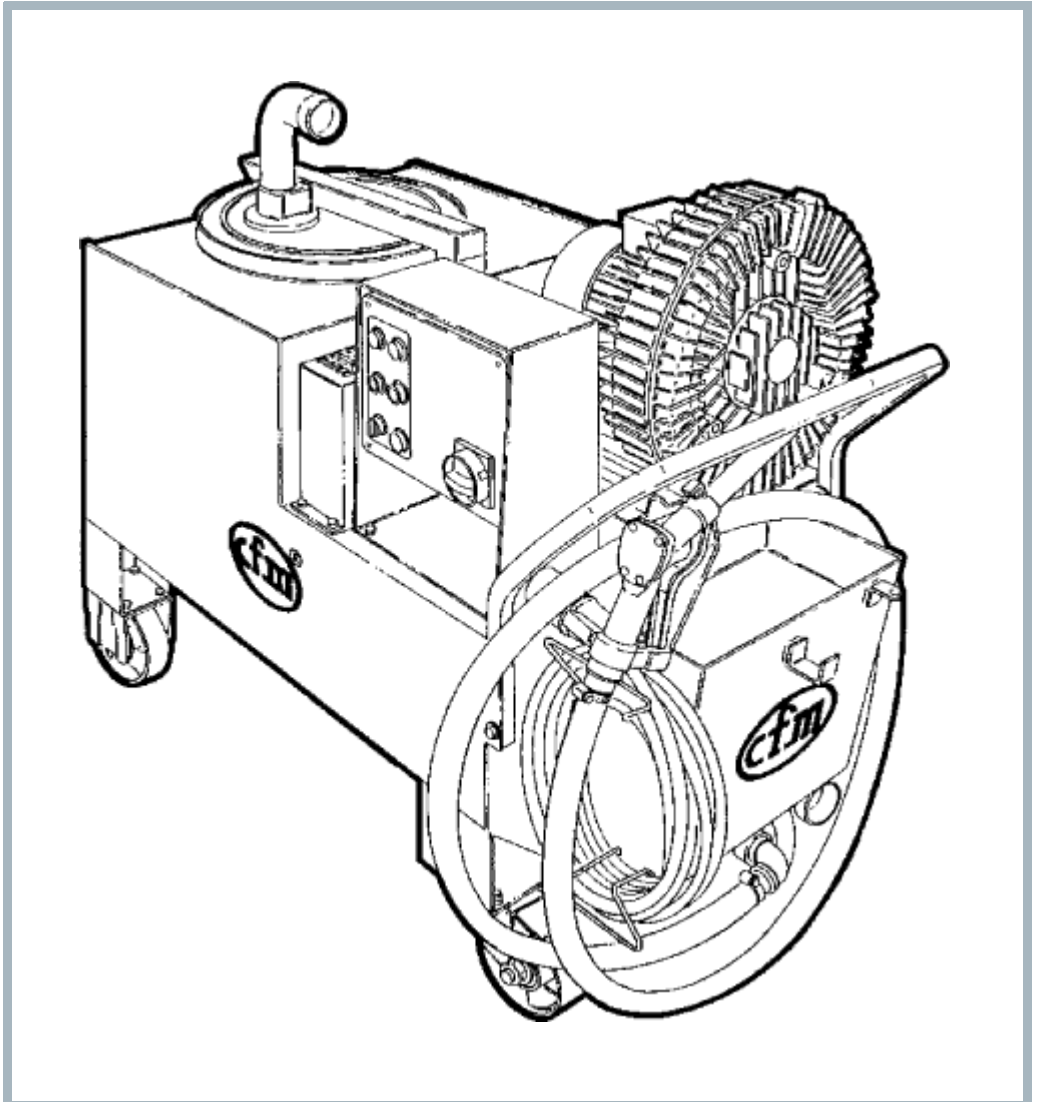


OIL220M

Model:
OIL 220M



Part List US-English

12-11-2012

Table of Contents

OIL220M

| | |
|----------------------------------|-----------|
| Frame | 3 |
| Container unit | 5 |
| Liquid discharging system | 7 |
| Suction unit | 9 |
| Electric board | 11 |

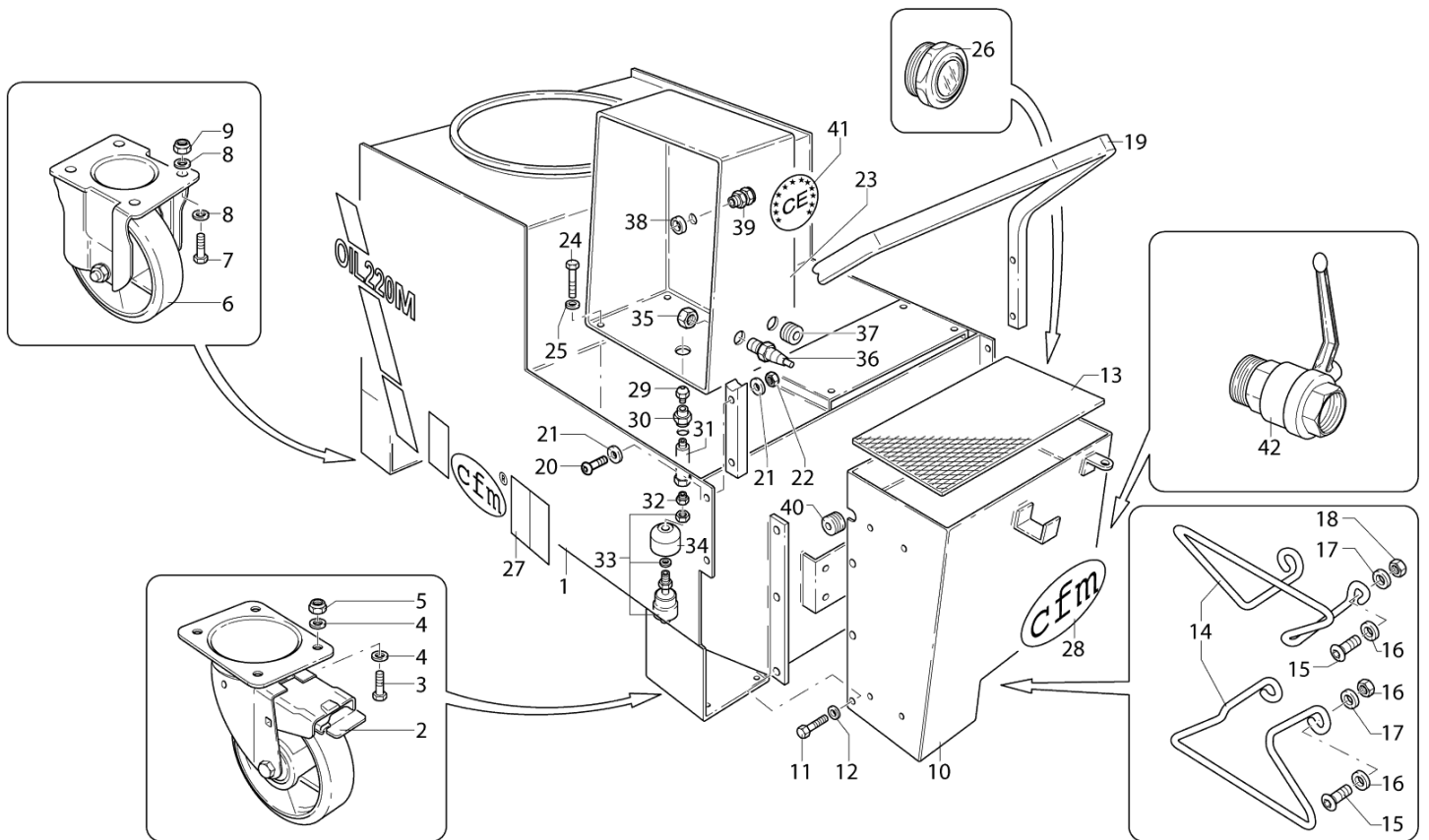
Frame

OIL220M

12-11-2012

Part List ID
OIL220M02

3



Frame

OIL220M

12-11-2012

Part List ID
OIL220M02

4

| Pos | Part no. | Qty | Description | |
|-----|-----------|-----|---|----------|
| 1 | Z8 30224 | 1 | TANK L200 MOD.OIL 220 | |
| 2 | Z8 40718 | 2 | PIVOTING WHEEL D150 POLYURETHAN + BRAKE | |
| 3 | 666666 | 4 | NOTE COMMENT | UNI 5739 |
| 4 | 666666 | 8 | NOTE COMMENT | UNI 6592 |
| 5 | 666666 | 4 | NOTE COMMENT | UNI 7474 |
| 6 | Z8 40717 | 2 | FIXED WHEEL D150 POLYURETHAN | |
| 7 | 666666 | 4 | NOTE COMMENT | UNI 5739 |
| 8 | 666666 | 8 | NOTE COMMENT | UNI 6592 |
| 9 | 666666 | 4 | NOTE COMMENT | UNI 7474 |
| 10 | Z8 16249 | 1 | PROTECTION PUMP OIL 220 | |
| 11 | 666666 | 5 | NOTE COMMENT | UNI 5739 |
| 12 | 666666 | 5 | NOTE COMMENT | UNI 6592 |
| 13 | Z8 17524 | 1 | ACCESSORIES BELT OIL 220 | |
| 14 | Z8 16189 | 2 | CABLE HOLDER MODEL T37 | |
| 15 | 666666 | 4 | NOTE COMMENT | ISO 7380 |
| 16 | 666666 | 4 | NOTE COMMENT | UNI 6593 |
| 17 | 666666 | 4 | NOTE COMMENT | UNI 6592 |
| 18 | 666666 | 4 | NOTE COMMENT | UNI 7474 |
| 19 | Z8 18838 | 1 | HANDLE MODEL OIL 220 | |
| 20 | 666666 | 4 | NOTE COMMENT | UNI 7380 |
| 21 | 666666 | 8 | NOTE COMMENT | UNI 6593 |
| 22 | 666666 | 4 | NOTE COMMENT | UNI 7474 |
| 23 | Z8 16250 | 1 | SUPPORT BOARD OIL 220 | |
| 24 | 666666 | 4 | NOTE COMMENT | UNI 5739 |
| 25 | 666666 | 4 | NOTE COMMENT | UNI 6593 |
| 26 | Z8 40020 | 1 | INSP.WINDOW D50 | |
| 28 | Z8 17341 | 1 | LABEL CFM MEDIUM WHITE | |
| 29 | Z8 39819 | 1 | CABLE GLAND PG7 PA | |
| 30 | Z8 40729 | 1 | SLEEVE 1/4 F/F | |
| 31 | Z58 40148 | 1 | STUD FOR A128XR 1/4M-F | |
| 33 | Z8 39545 | 1 | SENS.MAGN.LIQ. D28 FLOATER NO-NC | |
| 34 | Z8 12286 | 1 | CAP PROTECTION PROBE | |
| 35 | Z8 39568 | 1 | METAL RING NUT PG16 | |
| 36 | Z8 39060 | 1 | CABLE GLAND PG16 PA SPRING | |
| 37 | Z8 39038 | 1 | PLATE PASS D15 | |
| 38 | Z8 39568 | 1 | METAL RING NUT PG16 | |
| 39 | Z8 39055 | 1 | CABLE GLAND PG16 PA | |
| 40 | Z8 39038 | 1 | PLATE PASS D15 | |
| 41 | Z8 17349 | 1 | CE MARK LABEL | |
| 42 | Z8 40304 | 1 | BALL COCK 2 F/F | |

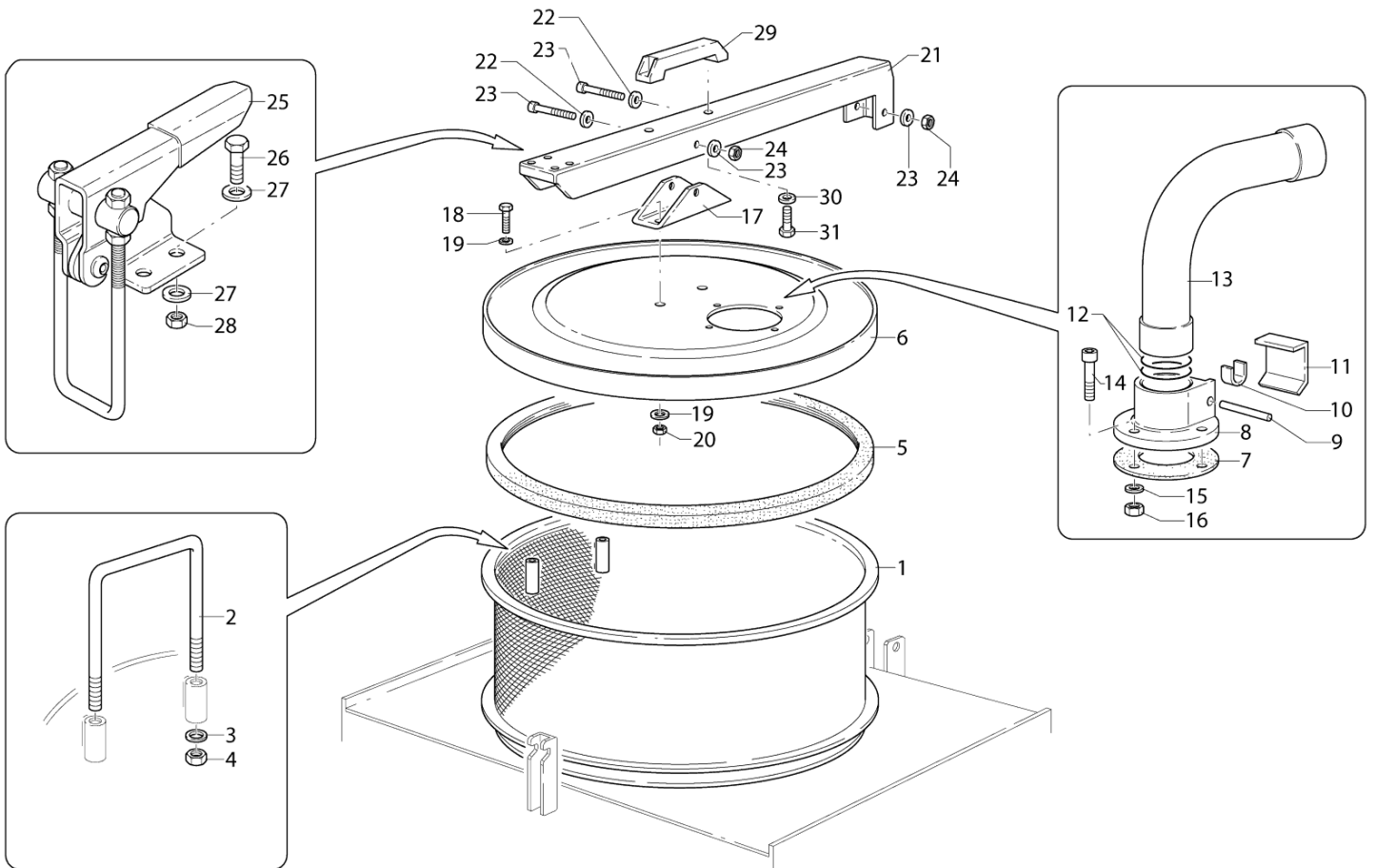
Container unit

OIL220M

12-11-2012

Part List ID
OIL22004

5



Container unit

OIL220M

12-11-2012

Part List ID
OIL22004

6

| Pos | Part no. | Qty | Description | |
|-----|-------------|-----|------------------------------|----------|
| 1 | Z8 30225 | 1 | BASKET x CONTAINER OIL 220 | |
| 2 | Z8 14504 | 2 | BASKET HANDLE OIL 220 | |
| 3 | 666666 | 4 | NOTE COMMENT | UNI 6592 |
| 4 | 666666 | 4 | NOTE COMMENT | UNI 7474 |
| 5 | Z8 17458 | 1 | FILTER SEAL D360 OIL TIGHT | |
| 6 | Z8 12329 | 1 | FLAT CAP D360 OIL 220 | |
| 7 | Z8 17005 | 1 | INLET SEAL D50 | |
| 9 | Z8 38020 | 2 | ELASTIC PIN 3X16 | |
| 10 | Z8 13010 | 1 | SPRING INLET D50 | |
| 11 | Z8 32543 | 1 | SS BUTTONFOR INLET D50 | |
| 12 | Z8 40720 | 2 | O.R. x OIL 220 | |
| 13 | ZS58FI32137 | 1 | CURVED CONNECTOR D50 900 OIL | |
| 14 | 666666 | 4 | NOTE COMMENT | UNI 5931 |
| 15 | 666666 | 4 | NOTE COMMENT | UNI 6592 |
| 16 | 666666 | 4 | NOTE COMMENT | UNI 7474 |
| 17 | Z8 14505 | 1 | HINGE FOR CAP OIL 220 | |
| 18 | 666666 | 2 | NOTE COMMENT | ISO 7380 |
| 19 | 666666 | 4 | NOTE COMMENT | UNI 6593 |
| 20 | 666666 | 2 | NOTE COMMENT | UNI 7474 |
| 21 | Z8 18837 | 1 | CROSSP. HINGE HOLDER OIL 220 | |
| 22 | 666666 | 2 | NOTE COMMENT | ISO 7380 |
| 23 | 666666 | 4 | NOTE COMMENT | UNI 6592 |
| 24 | 666666 | 4 | NOTE COMMENT | UNI 7474 |
| 25 | Z8 40590 | 1 | LEVER LOCK FOR OIL 220 | |
| 26 | 666666 | 4 | NOTE COMMENT | UNI 5739 |
| 27 | 666666 | 8 | NOTE COMMENT | UNI 6592 |
| 28 | 666666 | 4 | NOTE COMMENT | UNI 7474 |
| 29 | Z8 40205 | 1 | HANDGRIP BACHELITE CONTAINER | |
| 30 | 666666 | 2 | NOTE COMMENT | UNI 6592 |
| 31 | 666666 | 2 | NOTE COMMENT | UNI 5739 |

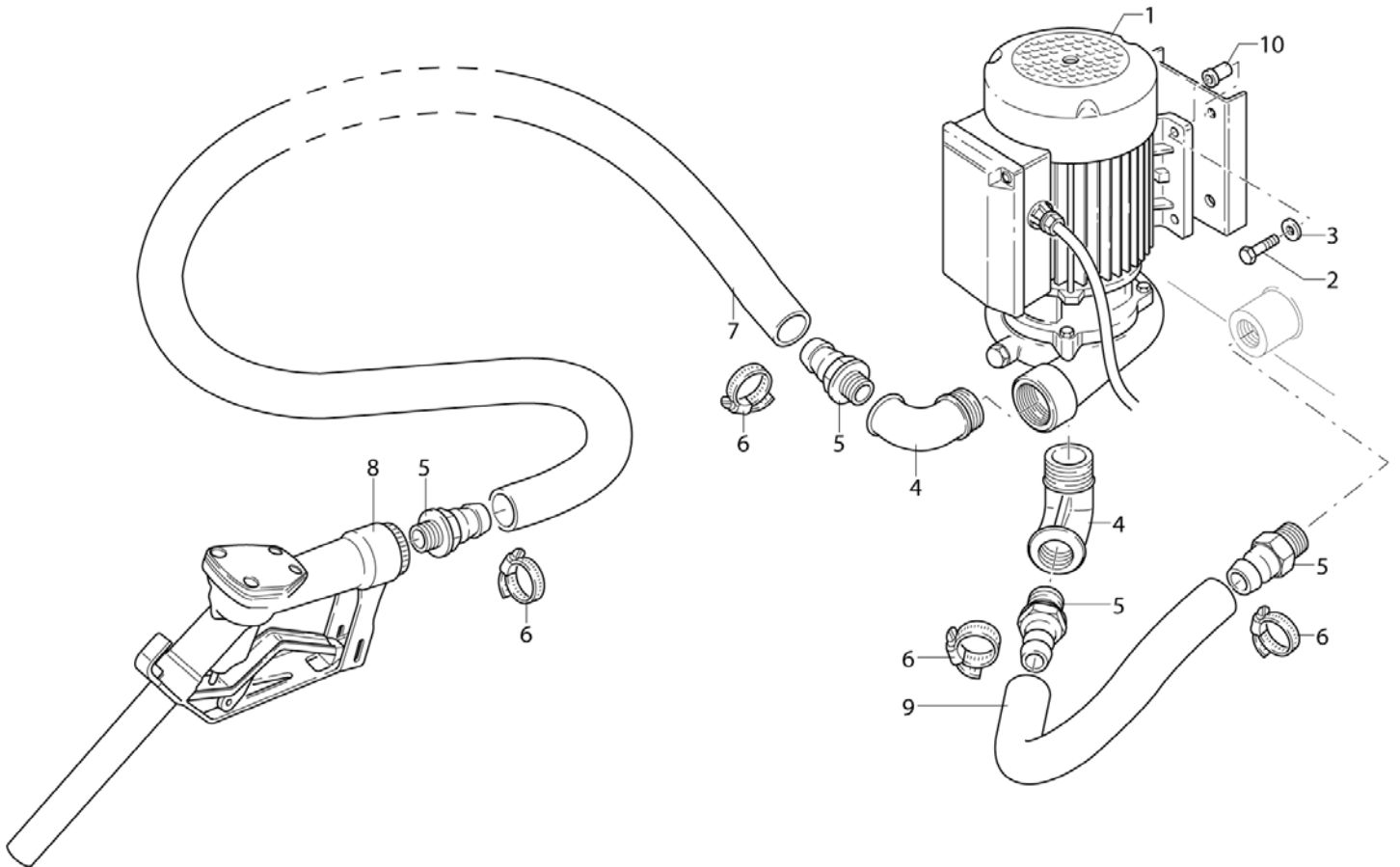
Liquid discharging system

OIL220M

12-11-2012

Part List ID
OIL220M06

7



Liquid discharging system

OIL220M

12-11-2012

Part List ID
OIL220M06

8

| Pos | Part no. | Qty | Description |
|-----|----------|-----|-------------------------------|
| 1 | Z8 56025 | 1 | SING.PH.PUMP KW 0.37xOIL220M |
| 2 | 666666 | 4 | NOTE COMMENT UNI 5739 |
| 3 | 666666 | 4 | NOTE COMMENT UNI 6992 |
| 4 | Z8 40719 | 2 | ELBOW 1 MF ZINC PLT. |
| 5 | Z8 40256 | 4 | TUBE HOLDER 1 D25 |
| 6 | Z8 40054 | 4 | TIE D25-38 INOX |
| 7 | Z8 24133 | 1 | TUBE D25 OILTIGHT TRANSPARENT |
| 8 | Z8 40252 | 1 | EJECTION GUN MOD.OIL440 |
| 9 | Z8 24133 | 1 | TUBE D25 OILTIGHT TRANSPARENT |
| 10 | Z8 38036 | 4 | THREADED INSERT M6 |

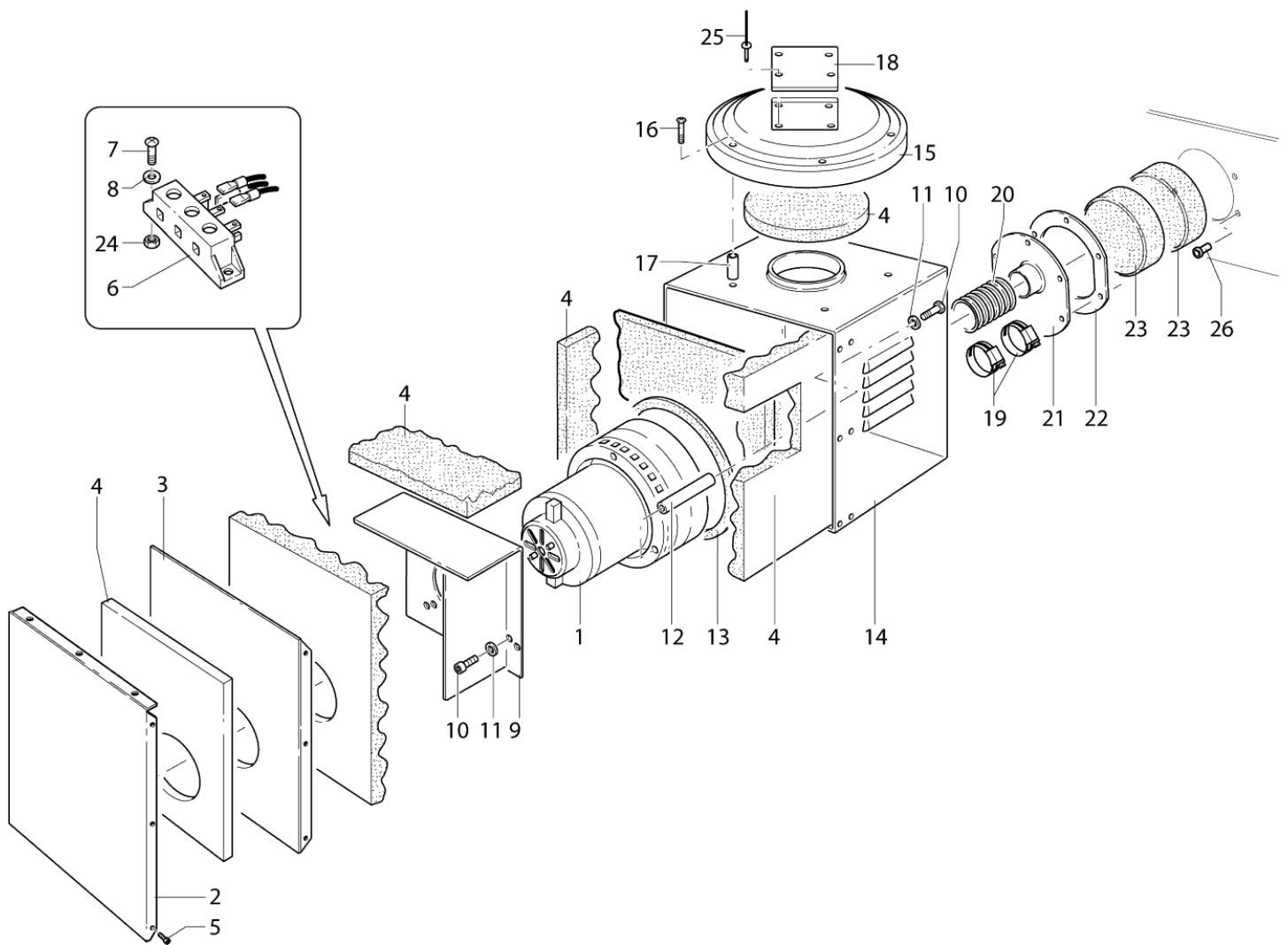
Suction unit

OIL220M

12-11-2012

Part List ID
OIL220M08

9



Suction unit

OIL220M

12-11-2012

Part List ID
OIL220M08

10

| Pos | Part no. | Qty | Description |
|-----|----------|-----|--------------------------------|
| 1 | Z8 54005 | 1 | MOTOR SINGLE-PH. HP 1.8 |
| 2 | Z8 18840 | 1 | CLOSER SHEET OIL220 |
| 3 | Z8 18839 | 1 | FAN SHEET OIL220 |
| 4 | Z8 17515 | 1 | KIT SOUNDPROOF FOR OIL220M |
| 5 | 666666 | 15 | NOTE COMMENT UNI 6954 |
| 6 | Z8 39528 | 1 | TERMINAL HEAD 3P |
| 7 | 666666 | 2 | NOTE COMMENT UNI 5739 |
| 8 | 666666 | 2 | NOTE COMMENT UNI 5931 |
| 9 | Z8 16251 | 1 | FIX-MOTOR PLATE OIL220 |
| 10 | 666666 | 6 | NOTE COMMENT UNI 5739 |
| 11 | 666666 | 6 | NOTE COMMENT UNI 5931 |
| 12 | Z8 14506 | 3 | SPACER D10X90 OIL220 |
| 13 | Z8 17231 | 1 | ADHESIVE SEAL 20 x 8 |
| 14 | Z8 35085 | 1 | MOTOR CARTER OIL220 |
| 15 | Z8 16062 | 1 | CAP NUT DIA. 360 IRON |
| 16 | 666666 | 4 | NOTE COMMENT UNI 7687 |
| 17 | Z8 14498 | 4 | SPACER FOR COVER T37 |
| 18 | Z8 17014 | 1 | SINGLE PHASE PLATE ALUMINIUM |
| 19 | Z8 40040 | 2 | TIE D40-60 |
| 20 | Z7 24111 | 1 | TUBE POLYURETHAN D50 IN METERS |
| 21 | Z8 14503 | 1 | COVER SAFETY FILTER OIL 220 |
| 22 | Z8 17525 | 1 | SEAL SAFETY FILTER OIL 220 |
| 23 | Z8 17321 | 2 | FILT.DISCD UNDER MOTOR M.96 |
| 24 | 666666 | 2 | NOTE COMMENT UNI 5580 |
| 26 | Z8 38036 | 6 | THREADED INSERT M6 |

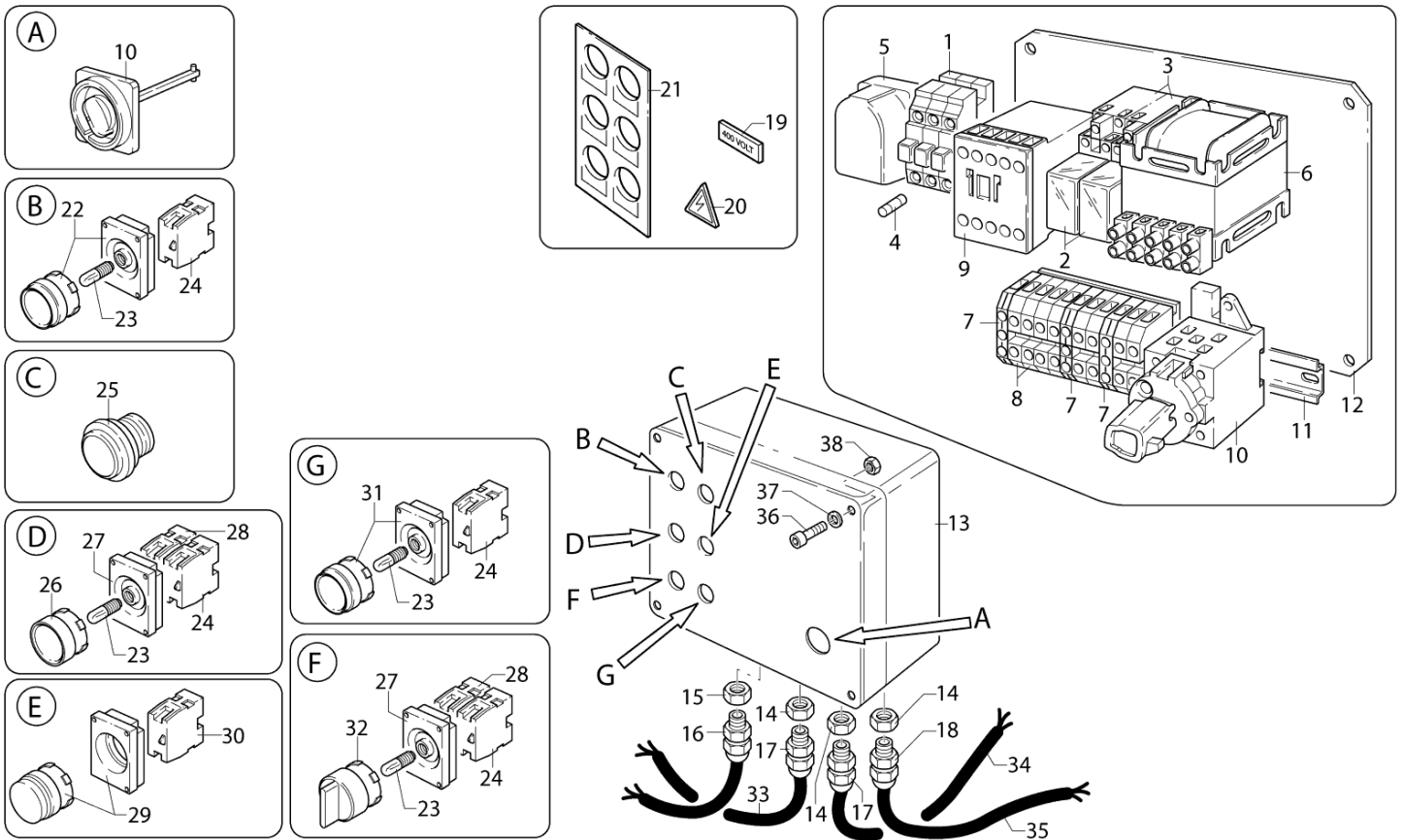
Electric board

OIL220M

12-11-2012

Part List ID
OIL220M10

11



Electric board

OIL220M

12-11-2012

Part List ID
OIL220M10

12

| Pos | Part no. | Qty | Description | |
|-----|-----------|-----|---|----------|
| 1 | Z8 39244 | 3 | TERMINAL FUSEHOLDER 1.5mmq S 5X20 | |
| 2 | Z8 39259 | 2 | RELAY 24VAC 2 EXCHANGES MY2 | |
| 3 | Z8 39118 | 2 | BASE x RELAY 2 EXCHANGES PYF | |
| 4 | Z8 39539 | 3 | FUSE 2A 5x20 GLASS RAPID | |
| 5 | Z8 39533 | 1 | FILTER ANTIJAMMING 16A | |
| 6 | Z8 39234 | 1 | TRANSFORMER 20VA 400/24V | |
| 7 | Z8 39121 | 4 | TERMINAL EARTH 6MMQ S | |
| 8 | Z8 39120 | 8 | TERMINAL LINE 6MMQ S | |
| 9 | Z8 39281 | 1 | CONTACTOR KW4 24VAC 1NO SIRIUS S00 | |
| 10 | Z8 39791 | 1 | MAIN SWITCH 1 A IP65 GEW | |
| 11 | Z8 39133 | 1 | GUIDE OMEGA TS 35x7.5 | |
| 13 | Z8 391165 | 1 | BOX 270x220x125 IP55 PVC BxHxP | |
| 14 | Z8 39568 | 3 | METAL RING NUT PG16 | |
| 15 | Z8 39565 | 1 | METAL RING NUT PG7 | |
| 16 | Z8 39819 | 1 | CABLE GLAND PG7 PA | |
| 17 | Z8 39055 | 2 | CABLE GLAND PG16 PA | |
| 18 | Z8 39055 | 1 | CABLE GLAND PG16 PA | |
| 19 | Z8 17016 | 1 | LABEL 230V | |
| 20 | Z8 17361 | 1 | LABEL VOLTAGE ON | |
| 21 | Z8 17362 | 1 | CONTROLS LABEL OIL 220 | |
| 22 | Z8 39111 | 1 | PILOT LIGHT WHITE D22 3SB3 | |
| 23 | Z8 39114 | 4 | LAMP BA9 V24 | |
| 24 | Z8 39113 | 4 | LAMP HOLDER BA9 3SB3 | |
| 27 | Z8 39795 | 2 | SUPPORT x 3 BLOCK.CONT.LAMPHOL | |
| 28 | Z8 39108 | 2 | CONTACT NO PUSH B. 3SB3 | |
| 29 | Z8 39109 | 2 | PUSHBUTTON RED 3SB3 | |
| 30 | Z8 39110 | 1 | CONTACT NC PUSH B. 3SB3 | |
| 31 | Z8 39314 | 1 | PILOT LIGHT YELLOW D22 3SB3 | |
| 32 | Z8 39719 | 1 | SELECTOR LIGHTNING GREEN 2 POSITIONS | |
| 33 | Z8 39796 | 1 | CABLE 3G1,5 NE. AL M | |
| 34 | Z8 39796 | 1 | CABLE 3G1,5 NE. AL M | |
| 35 | Z8 39844 | 1 | CABLE SUP. 3G1,5 NE. SP16A 9M MOD.OIL13 | |
| 36 | 666666 | 4 | NOTE COMMENT | UNI 7687 |
| 37 | 666666 | 4 | NOTE COMMENT | UNI 6592 |
| 38 | 666666 | 4 | NOTE COMMENT | UNI 7474 |