

Eco oil 13

Model:
ECOIL 13



Part List US-English

31-10-2014

Table of Contents

Eco oil 13

Frame	3
Container unit	5
Liquid discharging system	7
Suction unit	9
Electric board	11

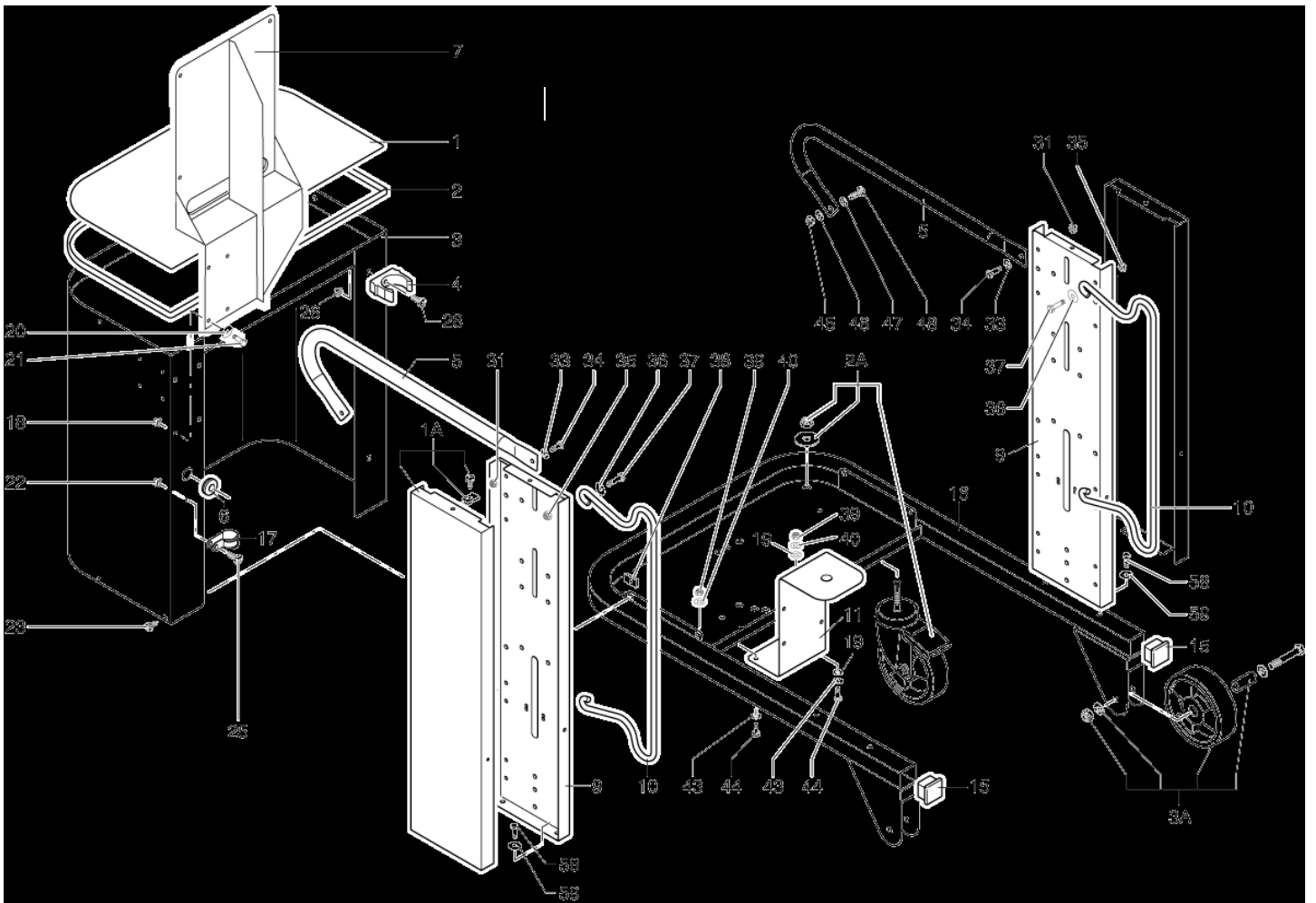
Frame

Eco oil 13

31-10-2014

Part List ID
ECOIL1301

3



Frame

Eco oil 13

31-10-2014

Part List ID
ECOIL1301

4

Pos	Part no.	Qty	Description	
1	Z8 17716	1	PLUG FOR TANK MOD. SOL	
2	40000763	1	SEAL	
3	Z8 35118 7001	1	CLOSER CARTER M.SOL RAL7001	
4	Z8 40392	1	COLLAR HANDGRIP FIXING	
5	Z8 18938	2	HANDLE MOD. SOL	
6	Z8 39040	1	PLATE PASS D22	
7	4081600511	1	SUPPORT FOR EL.BOX ECOIL13	
9	Z8 18506	2	UPRIGHT M.137	
11	Z8 16376	1	PUMP SUPPORT	
15	Z8 40035	2	SQUARE PLUG 40 x 40 PVC	
16	Z8 36358	1	TROLLEY MOD. SOL	
17	Z8 39981	2	FAIRLEAD RUBBERISED D16	
18		4	NOTE COMMENT	Nut M6 UNI 7474 DIN 985
19		2	NOTE COMMENT	Washer D.6 DIN 6798A
1A	40000540	2	SIDE PANEL KIT	
20		4	NOTE COMMENT	Washer D.6 UNI 6592 DIN 433
21		4	NOTE COMMENT	Screw M6x20 UNI 5739 DIN 933
22		1	NOTE COMMENT	Nut M8 UNI 7474 DIN 985
23		4	NOTE COMMENT	Screw D.6,3x16 UNI 6954 DIN 7981
25		1	NOTE COMMENT	Screw M8x16 UNI 5931 DIN 912
26		1	NOTE COMMENT	Nut M6 UNI 7474 DIN 985
28		1	NOTE COMMENT	Screw M6x16 UNI 7687 DIN 7985
2A	40000671	2	SWIVEL CASTOR KIT D.150	
31		2	NOTE COMMENT	Nut M6 UNI 7474 DIN 985
33		2	NOTE COMMENT	Washer D.6x18 UNI 6593 DIN 9021
34		2	NOTE COMMENT	Screw M6x20 UNI 5739 DIN 933
35		4	NOTE COMMENT	Nut M6 UNI 7474 DIN 985
36		4	NOTE COMMENT	Washer D.8x32 UNI 6593 DIN 9021
37		4	NOTE COMMENT	Screw M6x25 UNI 5739 DIN 933
38	Z8 40037	4	FASTENER FOR SELF-THREADING.D6	
39		4	NOTE COMMENT	Nut M6 UNI 7474 DIN 985
3A	40000672	2	FIX CASTOR KIT DIAM. 150	
40		4	NOTE COMMENT	Washer D.6x18 UNI 6593 DIN 9021
43		4	NOTE COMMENT	Washer D.6x18 UNI 6593 DIN 9021
44		4	NOTE COMMENT	Screw M6x20 UNI 5739 DIN 933
45		2	NOTE COMMENT	Nut M6 UNI 5721 DIN 1587
46		2	NOTE COMMENT	Washer D.6x18 UNI 6593 DIN 9021
47		2	NOTE COMMENT	Washer D.6x18 UNI 6593 DIN 9021
48		2	NOTE COMMENT	Screw M6x20 UNI 7687 DIN 7985
58		4	NOTE COMMENT	Screw M8x16 UNI 5739 DIN 933
59		4	NOTE COMMENT	Washer D.8 UNI 6592 DIN 433

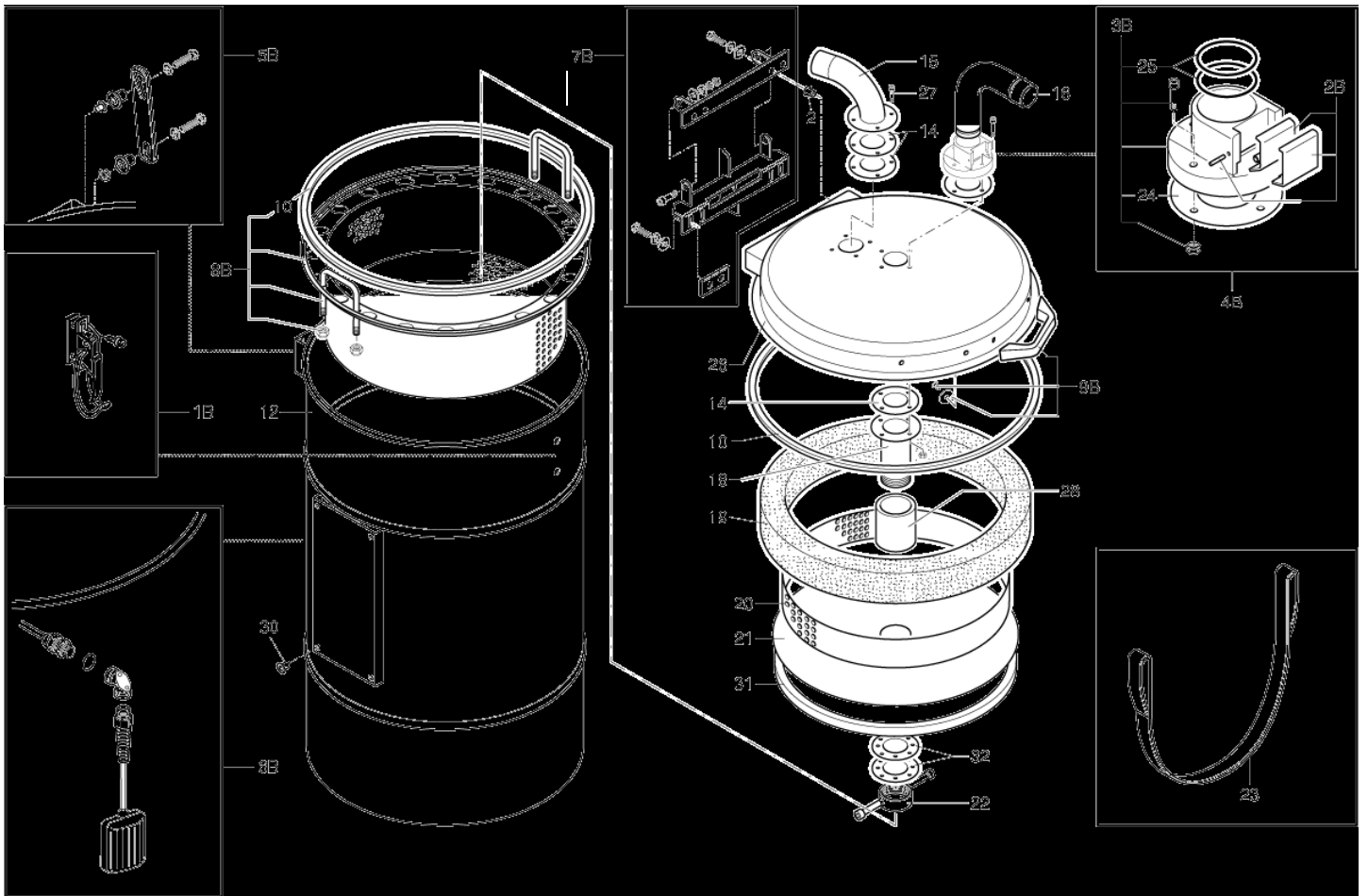
Container unit

Eco oil 13

31-10-2014

Part List ID
ECOIL1303

5



Container unit

Eco oil 13

31-10-2014

Part List ID
ECOIL1303

6

Pos	Part no.	Qty	Description
2	Z8 38059	4	HEAD RIVER M6
10	Z8 17789	2	ANTI-OIL FILTER RING SEAL D560
12	Z8 30326	1	CONTAINER D560x1025 FE ECO OIL
14	Z8 17005	3	INLET SEAL D50
15	Z8 32005	1	BENT COUPL. D50 FL100ZINC PLAT
16	ZS58FI32137	1	CURVED CONNECTOR D50 900 OIL
18	Z8 40858	1	FIXING FILTER
19	Z8 17745	1	FILTER IN POLYURETHAN 20 PPI ECO OIL
1B	40000674	1	COVER CLOSING KIT
20	Z8 15190	1	SPACER FOR FILTER ECOIL
21	Z8 14643	1	FILTER DISC D500 KIT ECOIL13- 22
22	Z8 14617	1	RING NUT 2IN ECO OIL
23	Z8 40880	1	BELT FOR BASKET LIFTING ECO OIL
24	Z8 17005	1	INLET SEAL D50
25	Z8 40720	2	O.R. x OIL 220
26	Z8 31678	1	COVER D560 WITH HINGE
27		4	NOTE COMMENT Screw M5x16 UNI 5931 DIN 912
2B	40000320	1	KIT PUSHBUTTON FOR INLET D50
30	Z8 38037	8	THREADED INSERT M8
31	40000782	1	SEAL
32	Z8 17542	2	JOINT FOR MOTOR SAP 300-380
3B	40000678	1	FLAT INLET KIT D. 50
4B	40000679	1	COMPLETE FLAT INLET KIT D50
5B	40000675	1	SAFETY STOP KIT
6B	40000790	1	LEVEL SENSOR KIT
7B	40000677	1	COVER HINGE KIT
8B	40000676	1	BASKET KIT
9B	40000423	2	KIT HANDLE SS

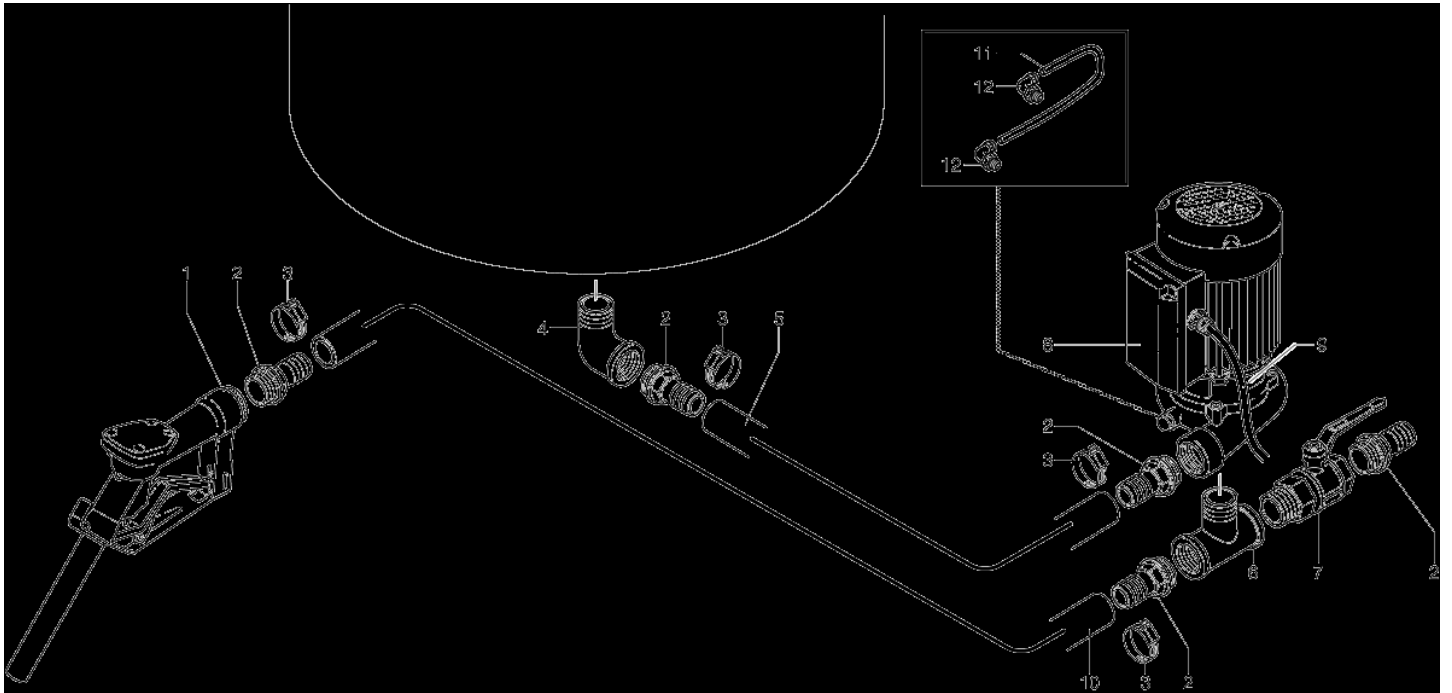
Liquid discharging system

Eco oil 13

31-10-2014

Part List ID
ECOIL1305

7



Liquid discharging system

Eco oil 13

31-10-2014

Part List ID
ECOIL1305

8

Pos	Part no.	Qty	Description
1	Z8 40252	1	EJECTION GUN MOD.OIL440
2	Z8 40256	5	TUBE HOLDER 1 D25
3	Z8 40054	4	TIE D25-38 INOX
4	Z8 40719	1	ELBOW 1 MF ZINC PLT.
5	40000783	1	ANTIOIL TRANSPARENT HOSE D25
6	Z8 40863	1	FITTING T 1 M/F/F
7	Z8 40222	1	BALLCOCK 1 MF
8	Z8 56025	1	SING.PH.PUMP KW 0.37xOIL220M
9	Z8 391204	1	CABLE CONN.PUMP 3G1.5 NE. MOD.ECOIL13
10	40000784	1	ANTIOIL TRANSPARENT HOSE D25
11	40000785	1	POLYURETANE HOSE 8X5.5 BLUE
12	Z8 40743	2	CONNECTION BENT SWIVEL1/8MD8

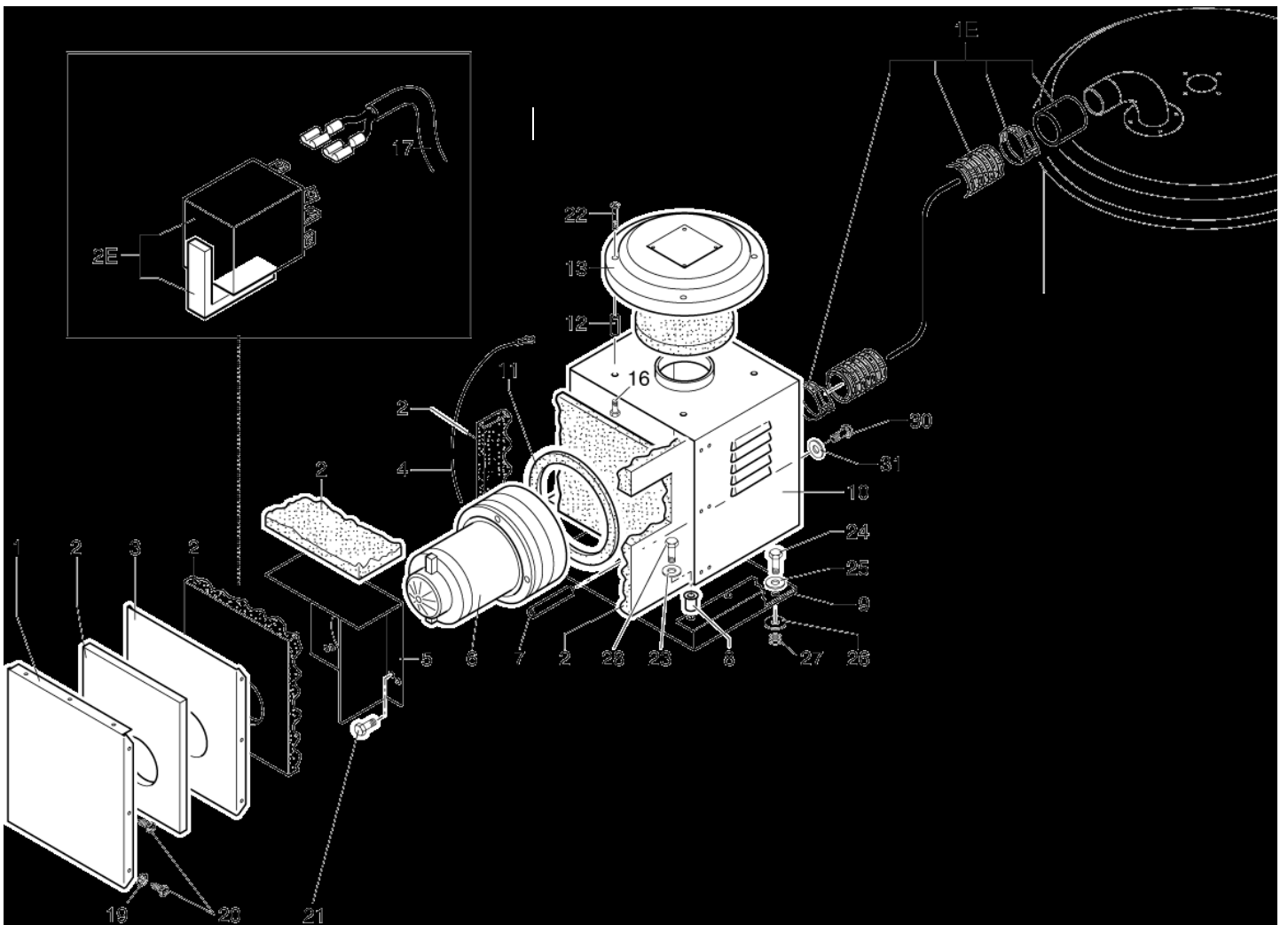
Suction unit

Eco oil 13

31-10-2014

Part List ID
ECOIL1307

9



Suction unit

Eco oil 13

31-10-2014

Part List ID
ECOIL1307

10

Pos	Part no.	Qty	Description
1	Z8 18840	1	CLOSER SHEET OIL220
2	Z8 17515	1	KIT SOUNDPROOF FOR OIL220M
3	Z8 18839	1	FAN SHEET OIL220
4	Z8 39668	1	CABLE EARTH MM 500
5	Z8 16251	1	FIX-MOTOR PLATE OIL220
6	Z8 54005	1	MOTOR SINGLE-PH. HP 1.8
7	Z8 14506	3	SPACER D10X90 OIL220
8	Z8 38065	4	RIVET M8 COUNTERSUNK S. THIN M8 FTR/C
9	Z8 16378	1	FIX-MOTOR PLATE SINGLEP.MOTOR ECOIL
10	Z8 35085	1	MOTOR CARTER OIL220
11	40000786	1	SEAL
12	Z8 14498	4	SPACER FOR COVER T37
13	Z8 16062	1	CAP NUT DIA. 360 IRON
16		4	NOTE COMMENT Screw M6x10 UNI 5739 DIN 933
17	40000787	1	CABLE FOR MOTOR 3G1.5
19		1	NOTE COMMENT Washer D.4 DIN 6798A
1E	40000680	1	SUCTION HOSE KIT
20		9	NOTE COMMENT Screw D.3,9x16 UNI 6954 DIN 7981
21		3	NOTE COMMENT Screw M6x10 UNI 5739 DIN 933
22		4	NOTE COMMENT Screw M6x10 UNI 7687 DIN 7985
23		4	NOTE COMMENT Washer D.8x24 UNI 6593 DIN 9021
24		4	NOTE COMMENT Screw M10x20 UNI 5739 DIN 933
25		4	NOTE COMMENT Washer D.10 UNI 6592 DIN 433
26		4	NOTE COMMENT Washer D.10x30 UNI 6593 DIN 9021
27		4	NOTE COMMENT Nut M10 UNI 7474 DIN 985
28		4	NOTE COMMENT Screw M8x20 UNI 5739 DIN 933
2E	40000695	1	NOISE PROTECTION FILTER KIT
30		3	NOTE COMMENT Screw M6x10 UNI 5739 DIN 933
31		3	NOTE COMMENT Washer D.10 UNI 6592 DIN 433

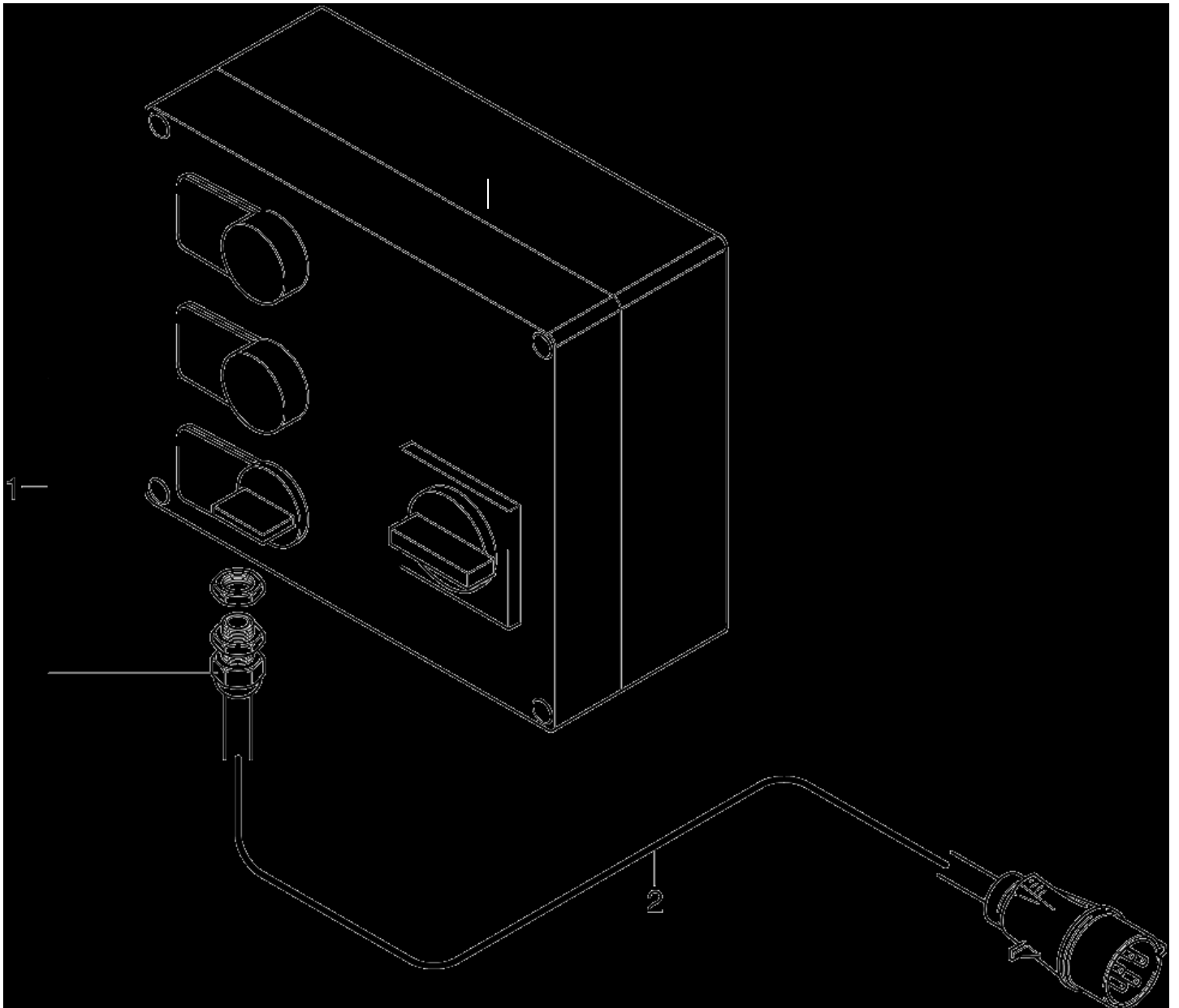
Electric board

Eco oil 13

31-10-2014

Part List ID
ECOIL1309

11



Electric board

Eco oil 13

31-10-2014

Part List ID
ECOIL1309

12

Pos	Part no.	Qty	Description
1	4084100945	1	E.B. KW1.3 ECOIL13
2	Z8 39844	1	CABLE SUP. 3G1.5 NE. SP16A 9M MOD.OIL13