

# SOL 3

---

Model:  
SOL 3



Part List US-English

11-02-2015

# Table of Contents

SOL 3

<b>Frame</b>	<b>3</b>
<b>Container unit</b>	<b>5</b>
<b>Filter group</b>	<b>7</b>
<b>Shaker unit</b>	<b>9</b>
<b>Suction unit</b>	<b>11</b>
<b>Air interception valve unit</b>	<b>13</b>

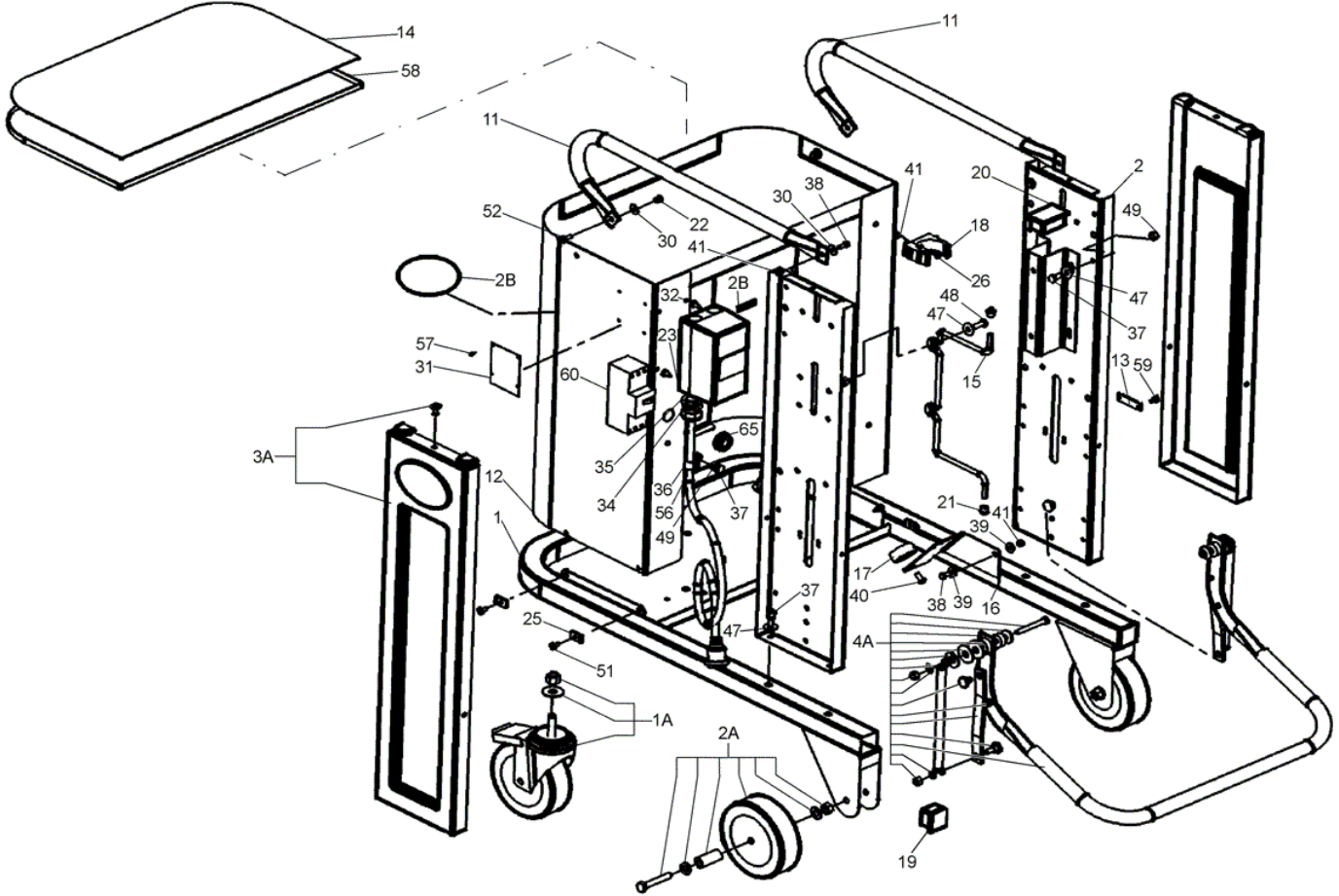
# Frame

SOL 3

11-02-2015

Part List ID SOL301

3



# Frame SOL 3

11-02-2015

Part List ID  
SOL301

4

Pos	Part no.	Qty	Description
1	Z8 36358	1	TROLLEY MOD. SOL
2	Z8 18506	2	UPRIGHT M.137
11	Z8 18938	2	HANDLE MOD. SOL
12	Z8 35118	1	CARTER FOR CLOCSER MOD SOL
13	Z8 18010	1	HOOK HOLDER PLATE
14	Z8 17716	1	PLUG FOR TANK MOD. SOL
15	Z8 16177	1	CABLE HOLDER MODEL 137
16	Z8 36487	1	SUPPORT FOR HOSE D50
17	Z8 20123	1	FIXED WHEEL D.40 PVC GREY MOBILE SUCKER
18	Z10 40392	1	FIX COLLAR FOR HANDLE
19	Z8 40035	2	SQUARE PLUG 40 x 40 PVC
1A	40000433	1	KIT REVOLV. CASTOR D150
20	Z8 40396	2	PLUG 60 x 40 PVC
21	Z8 40407	2	PUSH ROD PVC D.8 x CAB.HOLD.
22		2	NOTE COMMENT NUT M6 UNI 5721 DIN 1587
23	Z8 391052	2	BOX CIRCUIT BREAKER IP55 S00 155x85x88
25	Z8 40037	4	FASTENER FOR SELF-THREADING.D6
26		1	NOTE COMMENT SCREW M6x16 UNI 7687 DIN 7985
2A	40000434	1	KIT FIXED WHEEL D150
30		9	NOTE COMMENT WASHER D.6x18 UNI 6593 DIN 9021
31	Z8 17015	1	3-PHASE PLATE ALUMINIUM
32		2	NOTE COMMENT SCREW M6x16 UNI 6954 DIN 7981
34	Z8 39793	2	CABLE GLAND M25 PA
35	Z8 39944	2	METAL RING NUT M25
36	Z8 39981	1	FAIRLEAD RUBBERISED D16
37		11	NOTE COMMENT SCREW M8x16 UNI 5739 DIN 933
38		3	NOTE COMMENT SCREW M6x16 UNI 5739 DIN 933
39		2	NOTE COMMENT WASHER D.6x18 UNI 6593 DIN 9021
3A	40000479	1	SIDE PANEL KIT
40		1	NOTE COMMENT SCREW M8x16 ISO 7380
41		4	NOTE COMMENT NUT M6 UNI 5588 DIN 934
47		13	NOTE COMMENT WASHER D.8x24 UNI 6593 DIN 9021
48		2	NOTE COMMENT SCREW M8x25 UNI 5739 DIN 933
49		9	NOTE COMMENT NUT M8 UNI 5588 DIN 934
4A	40000480	1	RELEASE LEVER KIT D460
52		2	NOTE COMMENT SCREW M6x16 UNI 7687 DIN 7985
56	Z8 39937	1	CABLE SUP. 4G2.5 NE. SP16 9M
57		4	NOTE COMMENT RIVET D.2,9x7 DIN 7337
58	Z8 17230	1	PROFILE ANIMATED TANK MOD.3307 PLEASE ORDER 1.8 METERS OF THIS CODE
59		2	NOTE COMMENT SCREW M6x10 UNI 5739 DIN 933
60	Z8 39115	6	FUSE 25A D02
65	Z8 39040	1	PLATE PASS D22
51		4	NOTE COMMENT SCREW M6x16 UNI 6954 DIN 7981

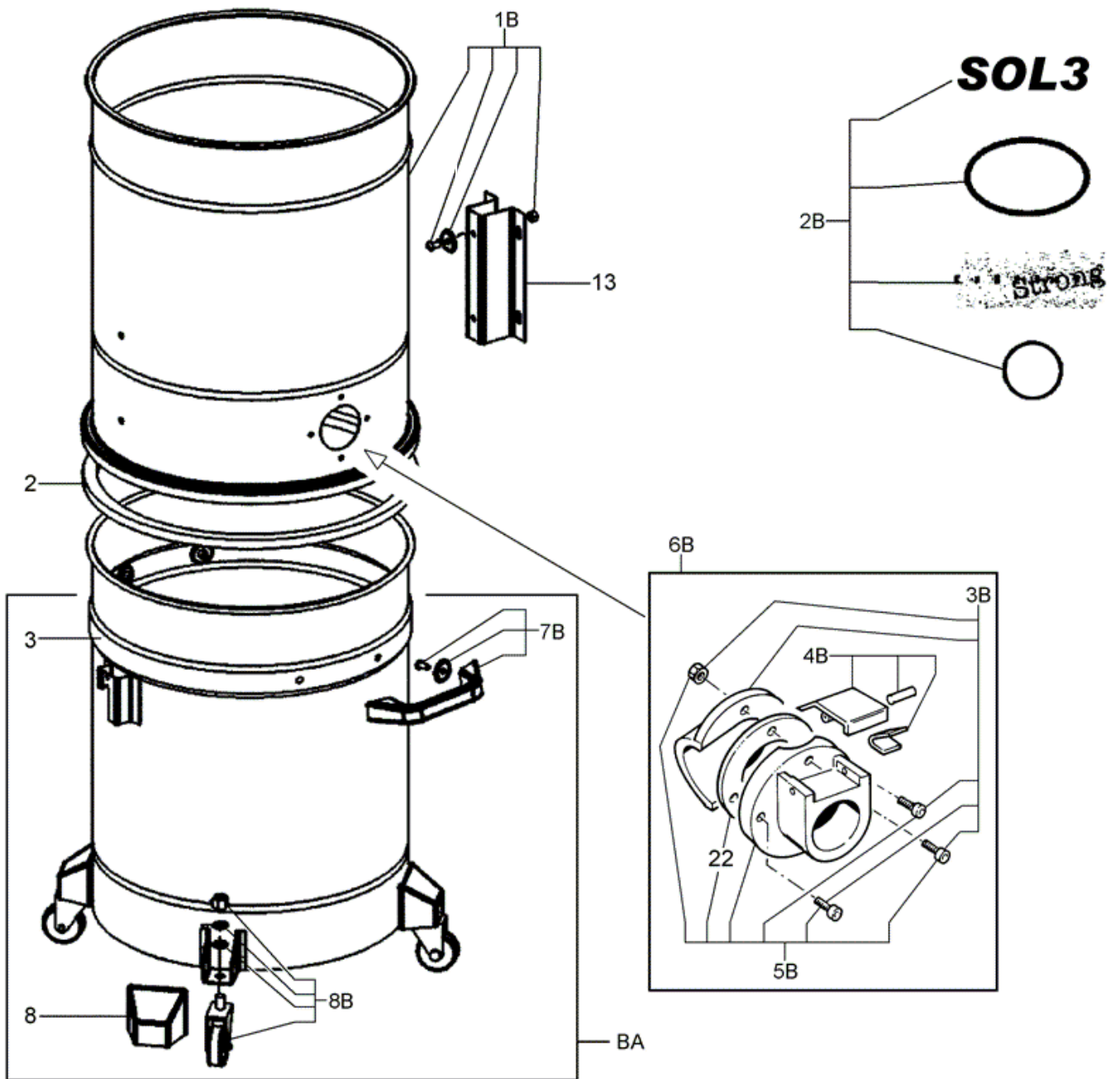
# Container unit

SOL 3

11-02-2015

Part List ID SOL303

5



# Container unit

SOL 3

11-02-2015

Part List ID  
SOL303

6

Pos	Part no.	Qty	Description
2	Z8 17007	1	FILTER CHAMBER SEAL D460
3	Z8 30009 9005	1	CONTAINER D460x400 LT60 FE
3	Z8 30278 9005	1	CONTAINER D460x600 FE LT.100 MOD. SOL
8	Z8 17021	4	BUMPER WHEEL HOLDER
13	Z8 14260	2	F.CHAMB.BRACKET D460 FE M.137
1B	40000435	1	KIT FILTER CHAMBER D460
22	Z8 17006	1	INLET SEAL D70
2B	40000505	1	KIT LABELS
3B	40000395	1	KIT DEFLECTOR D70
4B	40000345	1	KIT PUSHBUTTON FOR INLET D70
5B	40000343	1	KIT INLET FE D70
6B	40000397	1	KIT COMPLETE INLET FE D70
7B	40000423	1	KIT HANDLE SS
8B	40000419	1	KIT CASTORS FOR CONTAINER
BA	Z8 30088 9005	1	CONTAINER D460x400 FE COMPL. RELEASE
BA	Z8 30291 9005	1	CONTAINER D460x600 FE COMPL. LT.100 MOD.

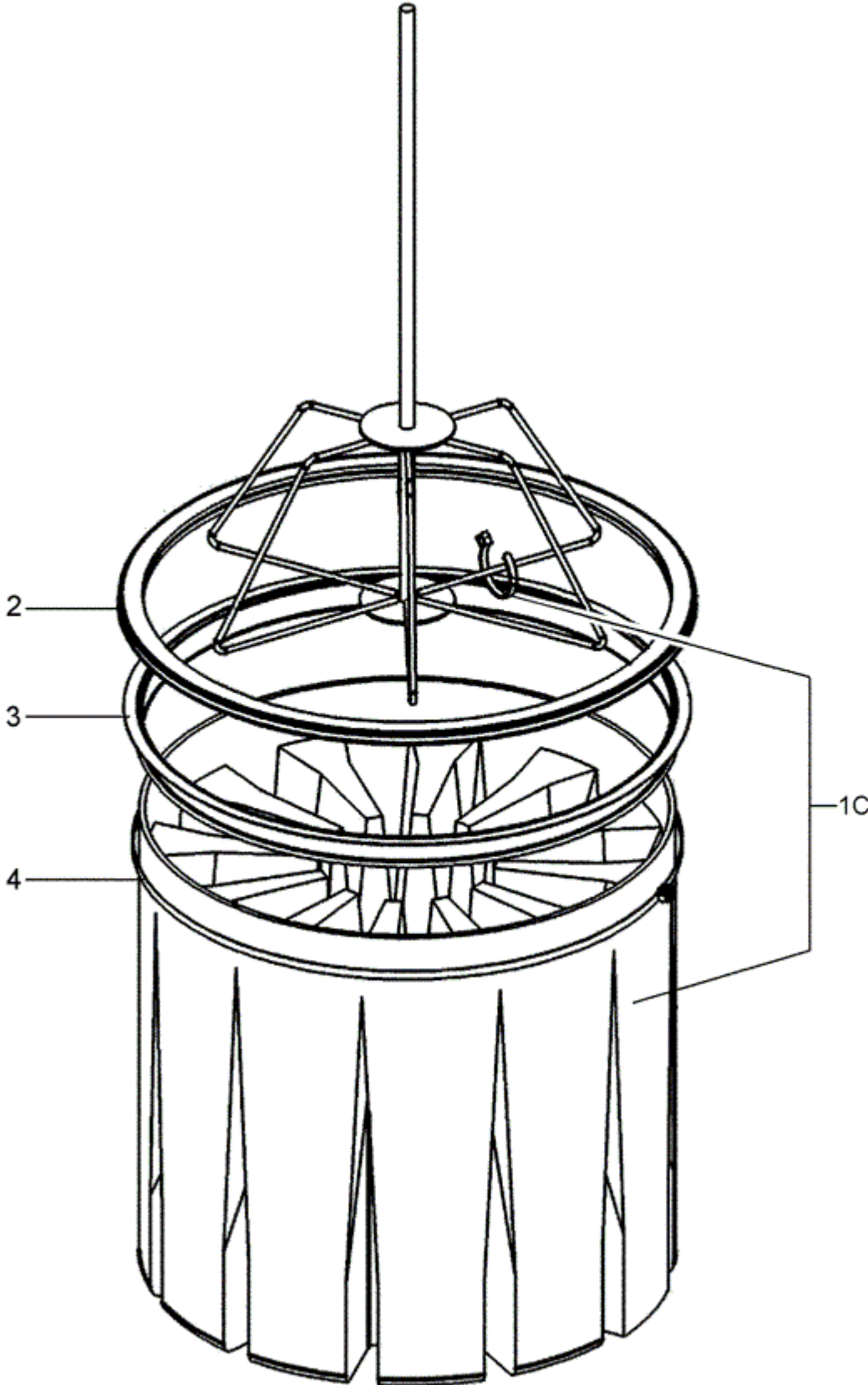
# Filter group

SOL 3

11-02-2015

Part List ID SOL305

7



# Filter group

SOL 3

11-02-2015

Part List ID

SOL305

8

Pos	Part no.	Qty	Description
2	Z8 17026	1	FILTER SEAL D460 BLACK
3	Z8 15003	1	FILTER HOLDER RING D460 FE
4	Z8 18079	1	FILTER BLOCK TIE D460
1C	40000338	1	KIT STAR FILTER D460 L CLASS



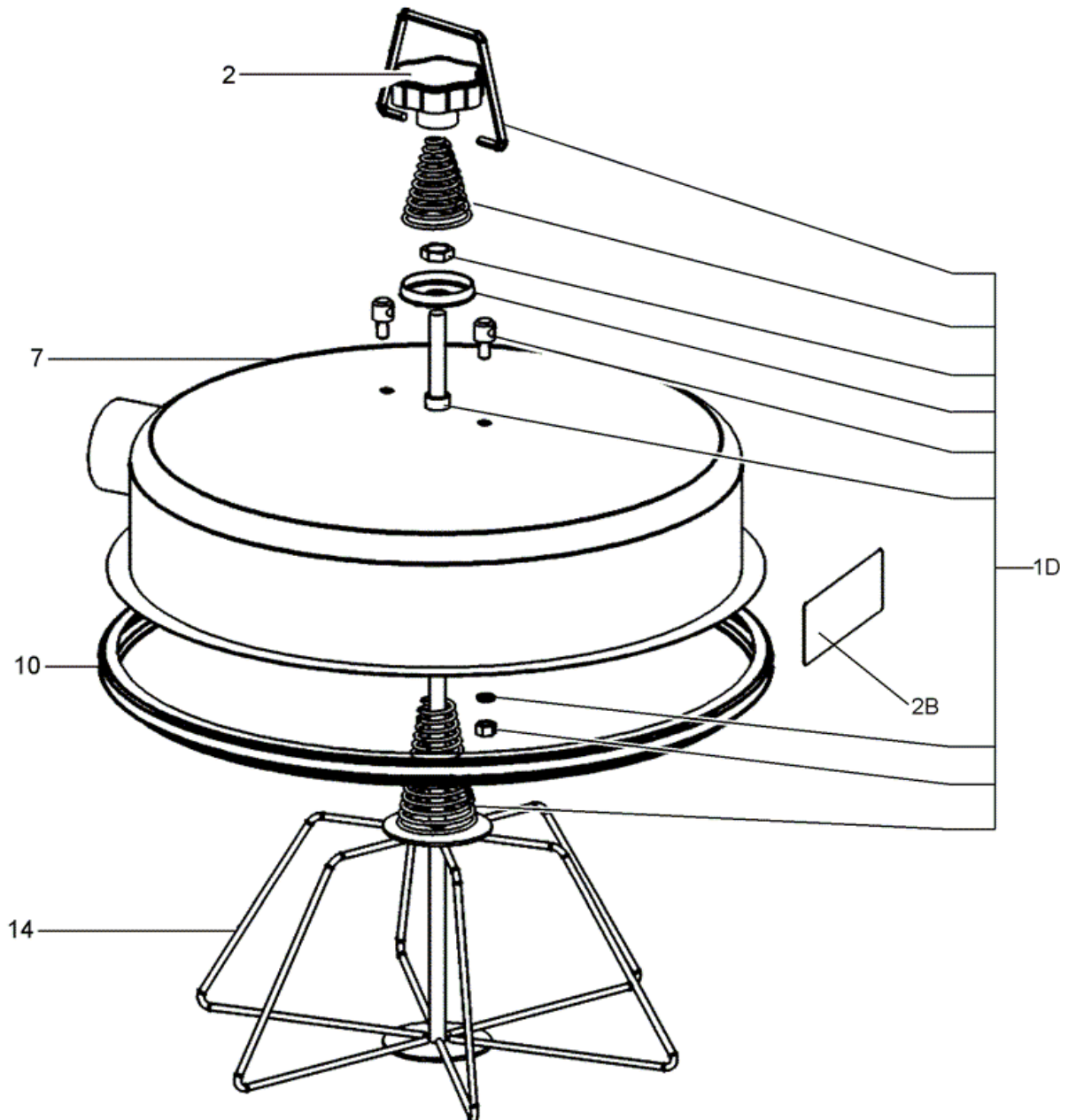
# Shaker unit

SOL 3

11-02-2015

Part List ID SOL307

9



# Shaker unit

SOL 3

11-02-2015

Part List ID  
SOL307

10

Pos	Part no.	Qty	Description
2	Z8 40027	1	KNOB D70 M12 NO HOLE
7	Z8 31643 9005	1	COVER D460 MOD. SOL
10	Z8 36191	1	BAND LOCK D.460
14	Z8 33324	1	STAR CAGE D460 FE x SOL
1D	40000313	1	KIT FILTER SHAKER FE
2B	40000505	1	KIT LABELS

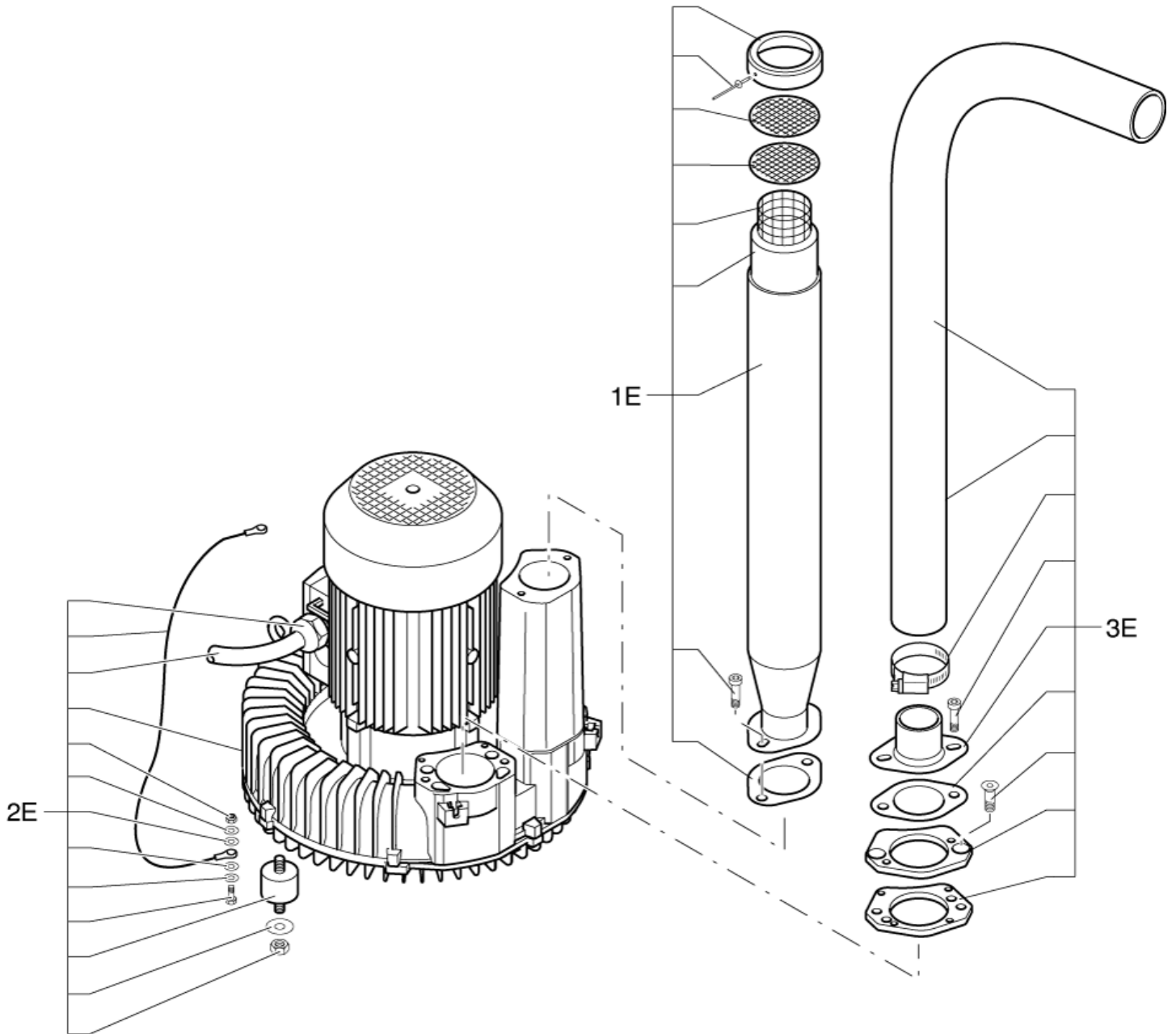
# Suction unit

SOL 3

11-02-2015

Part List ID SOL309

11



# Suction unit

SOL 3

11-02-2015

Part List ID  
SOL309

12

Pos	Part no.	Qty	Description
1E	40000504	1	KIT SILENCER FE D80
2E	40000503	1	SUCTION UNIT KIT
3E	40000439	1	KIT SUCTION CONNECTION D70

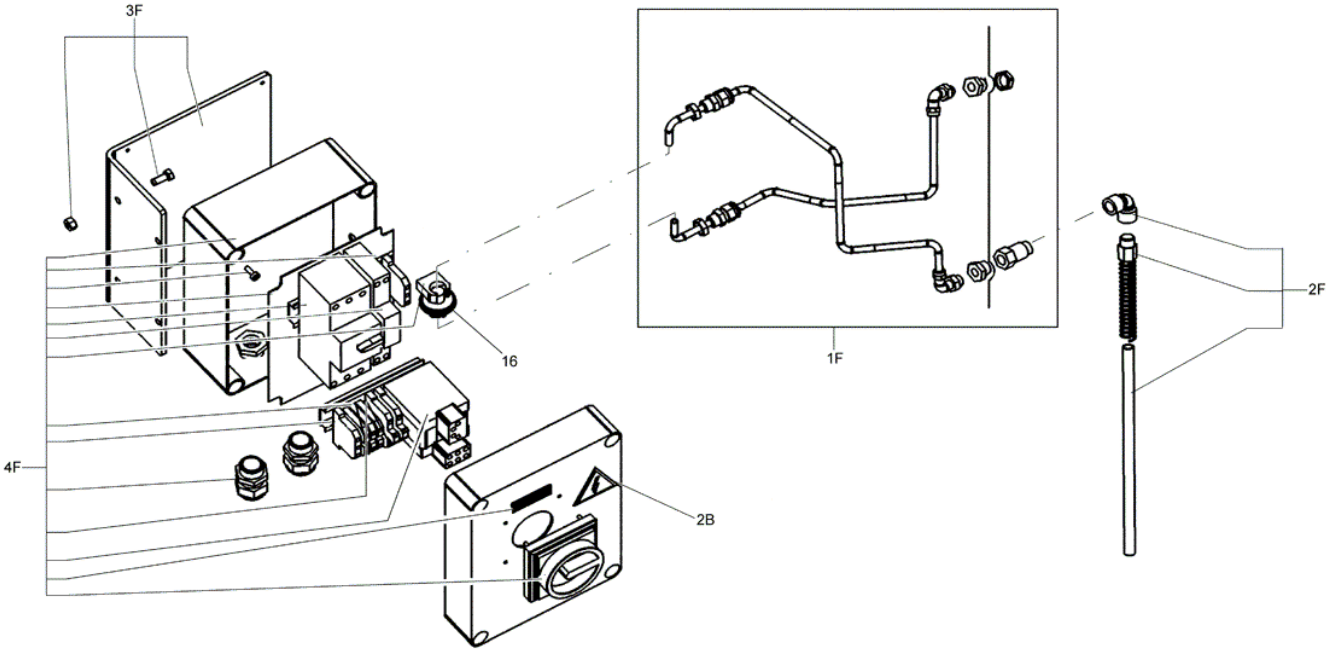
# Air interception valve unit

SOL 3

11-02-2015

Part List ID SOL311

13



# Air interception valve unit

SOL 3

11-02-2015

Part List ID  
SOL311

14

Pos	Part no.	Qty	Description
16	Z8 40841	1	PRESSURE-SWITCH 10MBAR NO
1F	4000441	1	CONTROL LEVEL EXT. TUBE KIT
2B	4000505	1	KIT LABELS
2F	4000442	1	CONTROL LEVEL INT. TUBE KIT
3F	4000477	1	ELECTRIC PANEL SUPPORT FOR LIQUIDS KIT
4F	4000506	1	ELECTRIC PANEL FOR LIQUIDS KIT