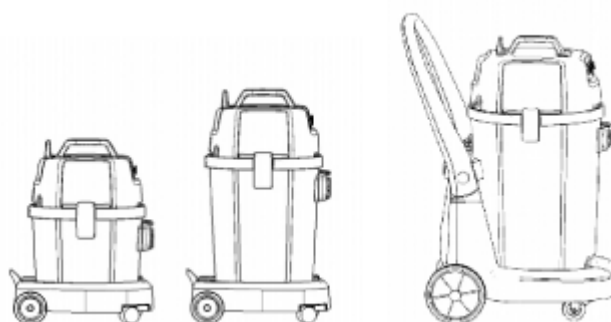


WD120, 135, 150, 250

Model:
WD 120



Stückliste Deutsch

18-02-2015

Inhalt

WD120, 135, 150, 250

| | |
|-------------------------------------|-----------|
| Motor top two motor, WD250 | 3 |
| Motor top one motor, WD150 | 5 |
| Motor top WD120, WD135 | 7 |
| Motor top D120 | 9 |
| Motor top WD135 Craftsman | 11 |
| Container WD150, WD250 | 13 |
| Container D120, WD120, WD135 | 15 |
| FAHRUNTERSATZ | 17 |
| Front nozzle WD150, WD250 | 19 |
| Düsen, Rohre und Schläuche | 21 |
| Filter und Filtersack | 23 |
| VERDRAHTUNGSPLAN | 25 |

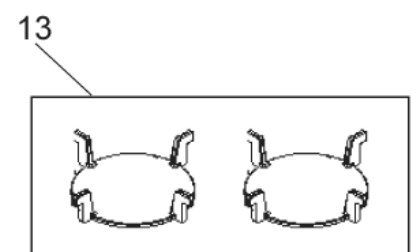
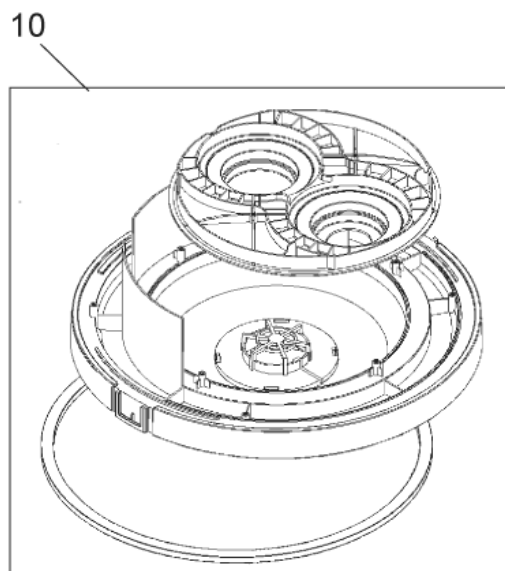
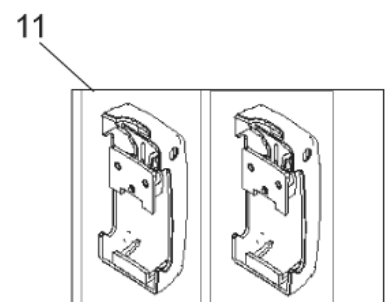
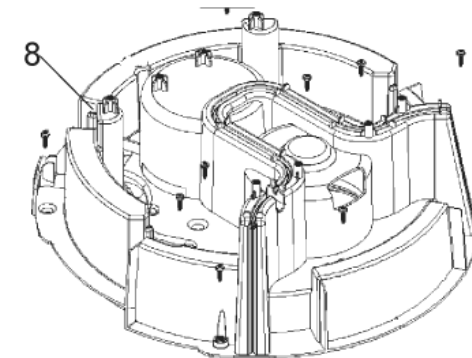
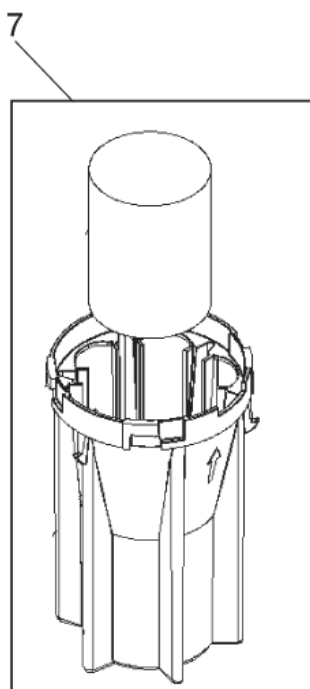
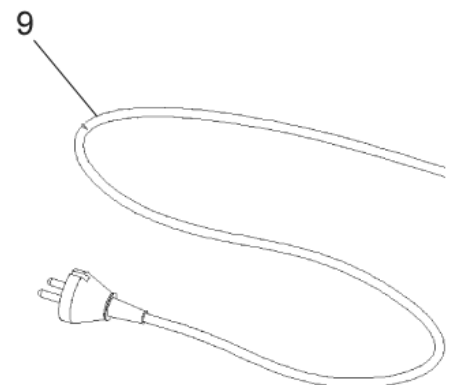
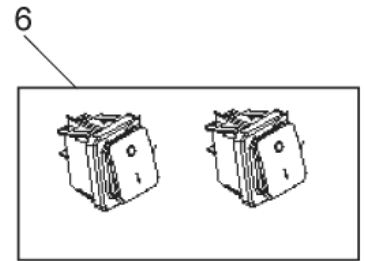
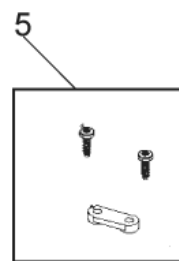
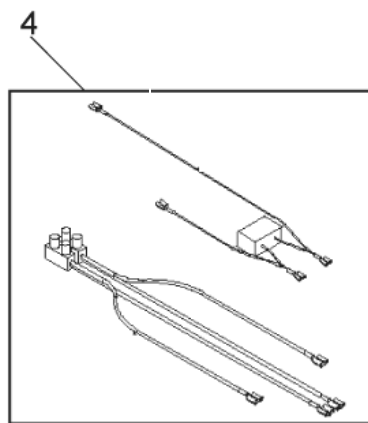
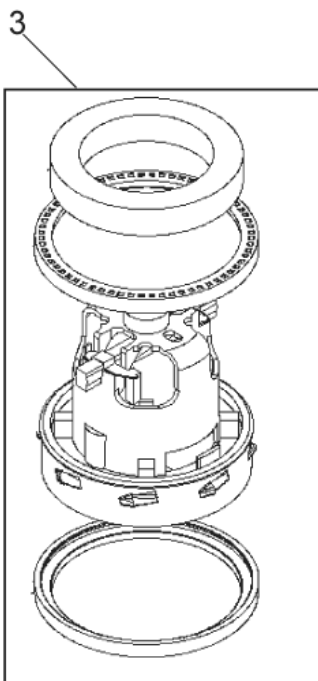
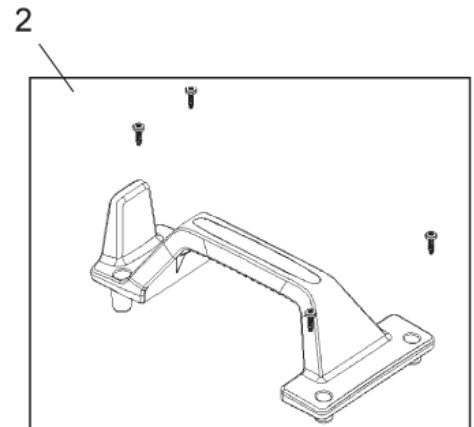
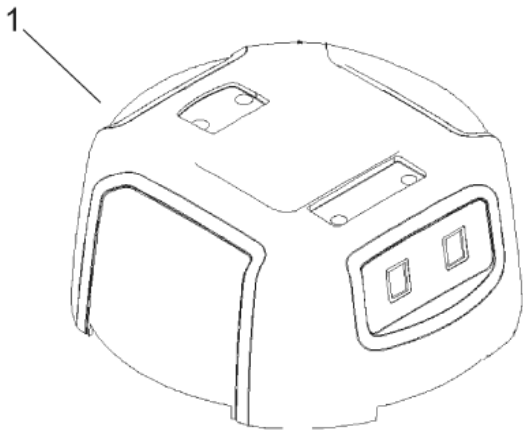
Motor top two motor, WD250

WD120, 135, 150, 250

18-02-2015

ET-Liste-Nr.
WD12013512

3



Motor top two motor, WD250

WD120, 135, 150, 250

18-02-2015

ET-Liste-Nr.
WD12013512

4

| Pos | Artikelnr. | Me | Beschreibung |
|-----|--------------|----|---|
| 1 | 140 9530 500 | 1 | Haube "MAXXI 7 DUO" K |
| 2 | 140 8651 510 | 1 | Griff oben "MAXXI 3/7/7DUO" blau K |
| 3 | 140 8689 500 | 1 | Motorturbine 220-240V 1350W MAXXI3/7/DU |
| 3 | 140 8689 510 | 1 | Gebläseeinheit BP 1350W 100-120V |
| 4 | 140 7620 530 | 1 | Entstörfilter Set"MAXXI 7" *EU/GB/AU/NZ |
| 5 | 140 6560 500 | 1 | ANTI STRAIN CLIP |
| 6 | 140 9537 500 | 1 | Wippschalter 0-1 2polig "MAXXI 3/7/DUO |
| 7 | 140 8680 500 | 1 | Filterstützkorb m.Schwim"MAXXI3/7/DUO"K |
| 8 | 140 9523 500 | 1 | Spannplatte "MAXXI 7 DUO" K |
| 9 | 12222501 | 1 | Netzleitung Set 10m *EU* |
| 9 | 12222503 | 1 | CORD SET UK L 10M |
| 10 | 140 9508 510 | 1 | Trägerplatte mit Dichtr. "MAXXI 7DUO" K |
| 11 | 140 8691 620 | 2 | Verschlußklammer Set-2 f. Beh. "MAXXI 7 |
| 13 | 140 9526 500 | 2 | Schwimmerplatte Ventil "MAXXI 7 DUO |

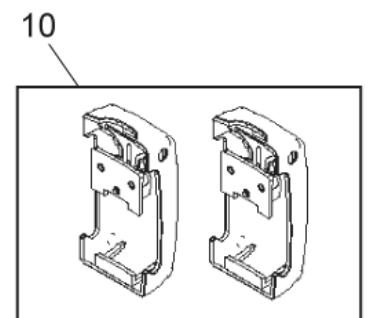
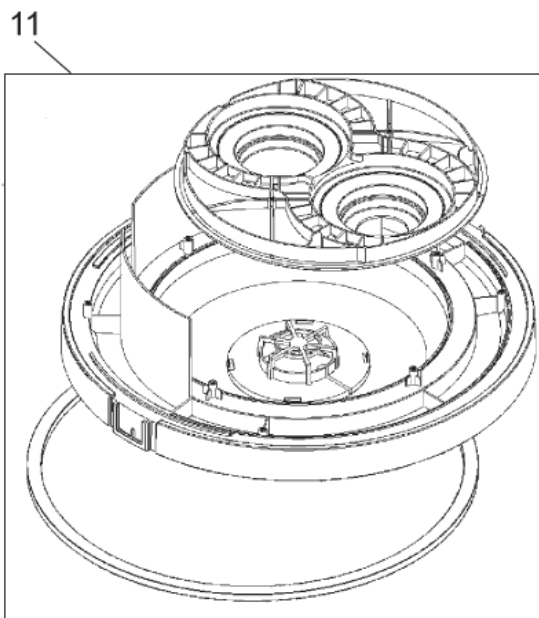
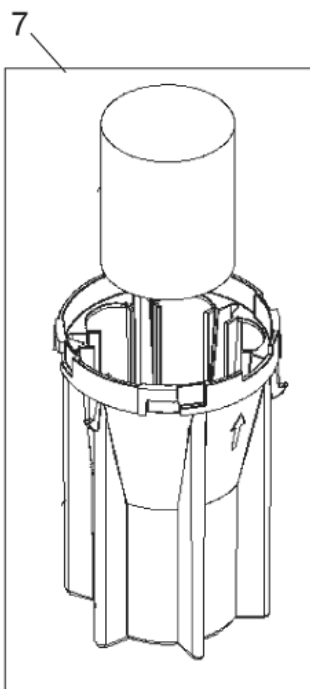
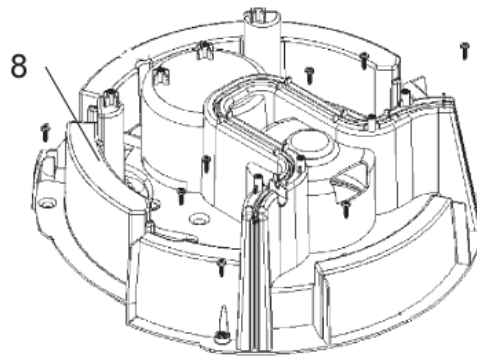
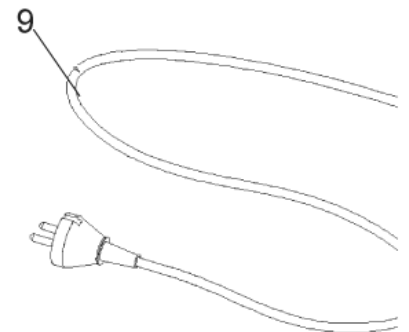
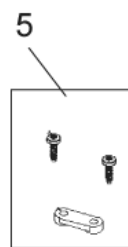
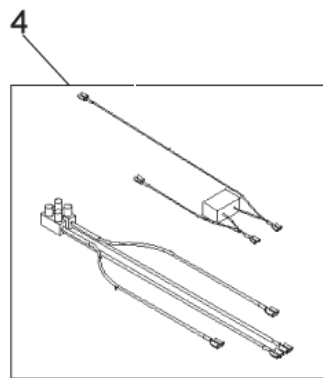
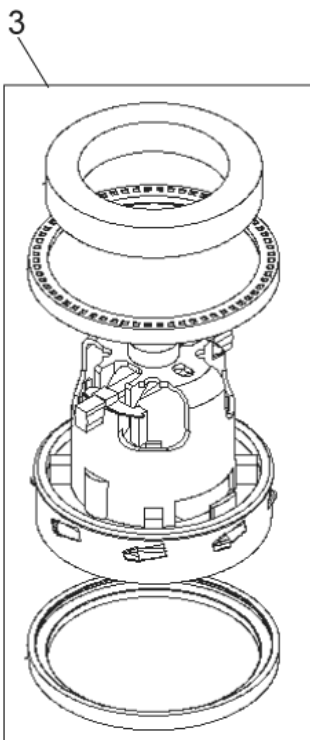
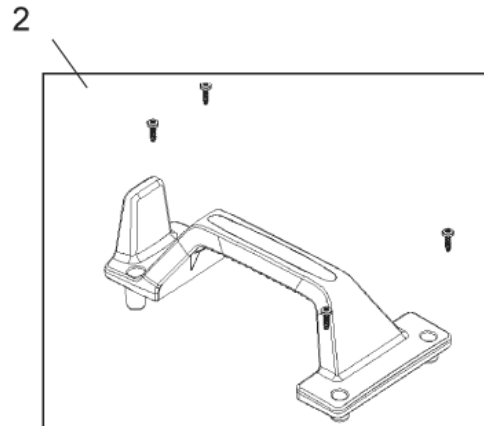
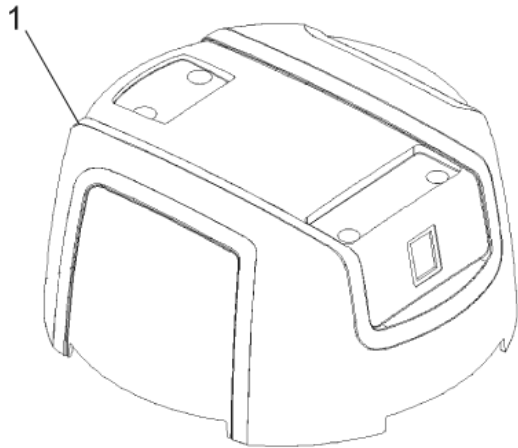
Motor top one motor, WD150

WD120, 135, 150, 250

18-02-2015

ET-Liste-Nr.
WD12013511

5



Motor top one motor, WD150

WD120, 135, 150, 250

18-02-2015

ET-Liste-Nr.
WD12013511

6

| Pos | Artikelnr. | Me | Beschreibung |
|-----|--------------|----|--|
| 1 | 140 9532 500 | 1 | Haube "MAXXI 7" K |
| 2 | 140 8651 510 | 1 | Griff oben "MAXXI 3/7/7DUO" blau K |
| 3 | 140 8689 500 | 1 | Motorturbine 220-240V 1350W MAXXI3/7/DU |
| 3 | 140 8689 510 | 1 | Gebläseeinheit BP 1350W 100-120V |
| 4 | 140 7042 500 | 1 | Kabelbaum "MAXXI 3/7" |
| 5 | 140 6560 500 | 1 | ANTI STRAIN CLIP |
| 6 | 107404540 | 1 | Schalter |
| 7 | 140 8680 500 | 1 | Filterstützkorb m.Schwim"MAXXI3/7/DUO"K |
| 8 | 140 9534 500 | 1 | COVER FAN UNIT GWD350/375 |
| 9 | 12222501 | 1 | Netzleitung Set 10m *EU* |
| 9 | 12222503 | 1 | CORD SET UK L 10M |
| 10 | 140 8691 620 | 2 | Verschlussklammer Set-2 f. Beh. "MAXXI 7 |
| 11 | 140 9508 500 | 1 | Trägerplatte mit Dichtring "MAXXI 7 |

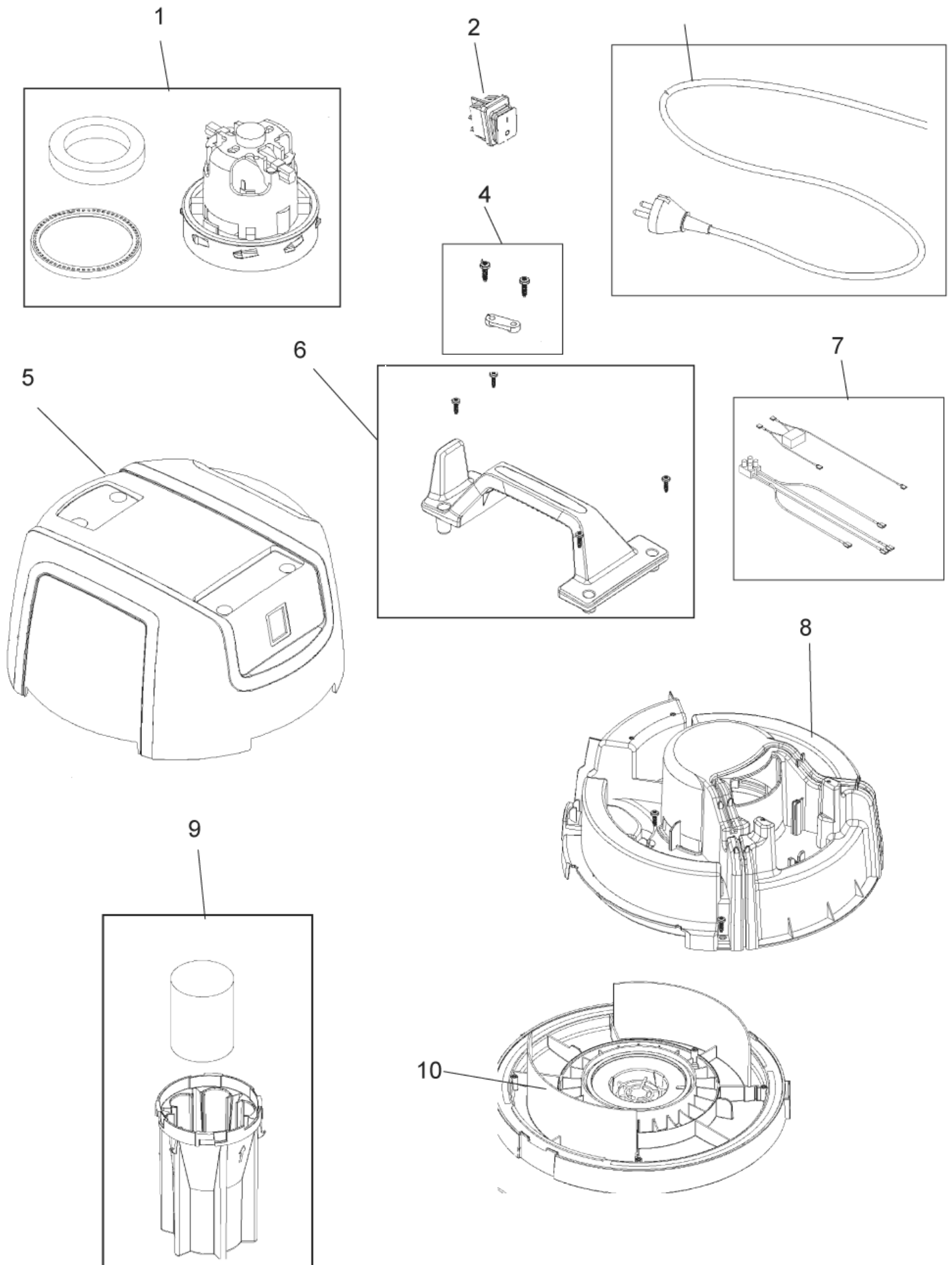
Motor top WD120, WD135

WD120, 135, 150, 250

18-02-2015

ET-Liste-Nr.
WD12013502

7



Motor top WD120, WD135

WD120, 135, 150, 250

18-02-2015

ET-Liste-Nr.
WD12013502

8

| Pos | Artikelnr. | Me | Beschreibung |
|-----|--------------|----|---|
| 1 | 140 8689 500 | 1 | Motorturbine 220-240V 1350W MAXXI3/7/DU |
| 1 | 140 8689 510 | 1 | Gebälseeinheit BP 1350W 100-120V |
| 1 | 140 8689 520 | 1 | FAN UNIT BP 1000W 100-120V |
| 2 | 107404540 | 1 | Schalter |
| 3 | 12222501 | 1 | Netzleitung Set 10m *EU* |
| 3 | 12222503 | 1 | CORD SET UK L 10M |
| 4 | 140 6560 500 | 1 | ANTI STRAIN CLIP |
| 5 | 140 8668 500 | 1 | Haube "MAXXI 3" K |
| 6 | 140 8651 510 | 1 | Griff oben "MAXXI 3/7/7DUO" blau K |
| 7 | 140 7042 500 | 1 | Kabelbaum "MAXXI 3/7" |
| 8 | 140 8653 500 | 1 | Spannplatte "MAXXI 3" K |
| 9 | 140 8680 500 | 1 | Filterstützkorb m.Schwim"MAXXI3/7/DUO"K |
| 10 | 140 8664 510 | 1 | CHASSIS GWD 300-SERIES BLACK |

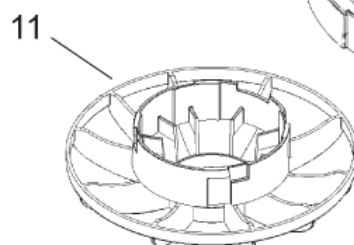
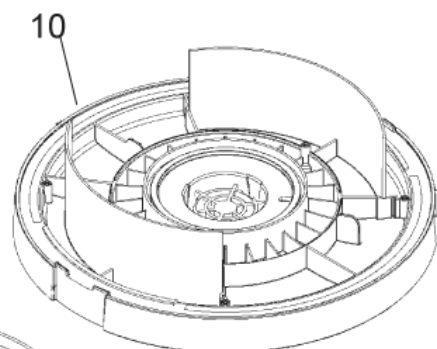
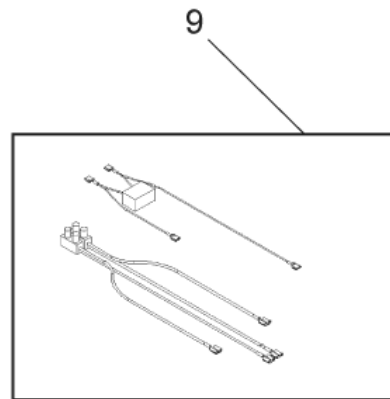
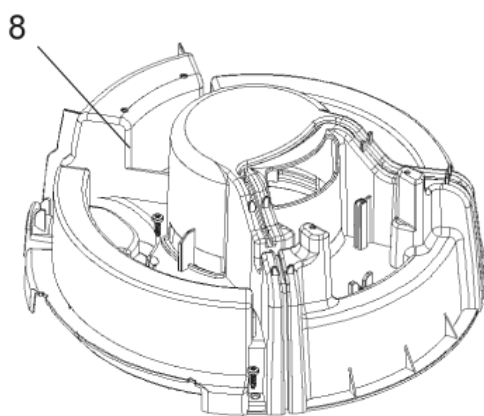
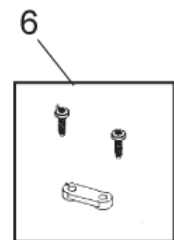
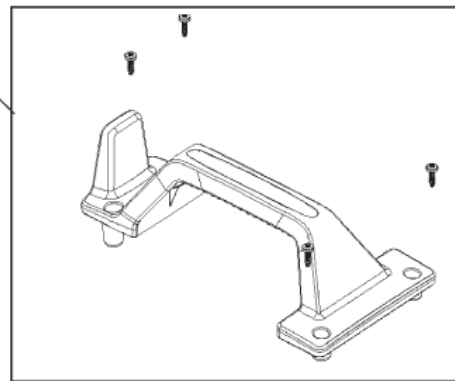
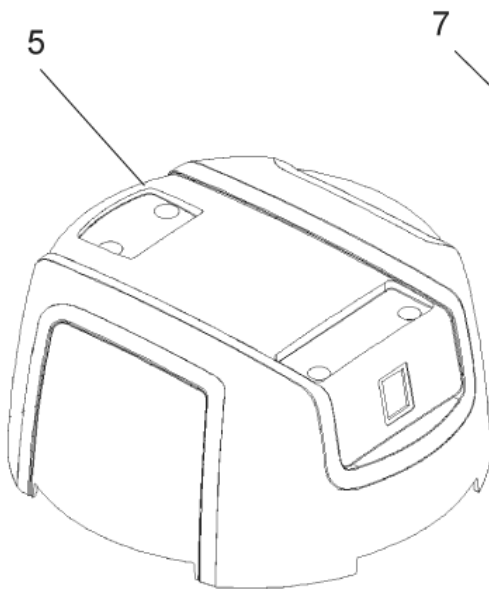
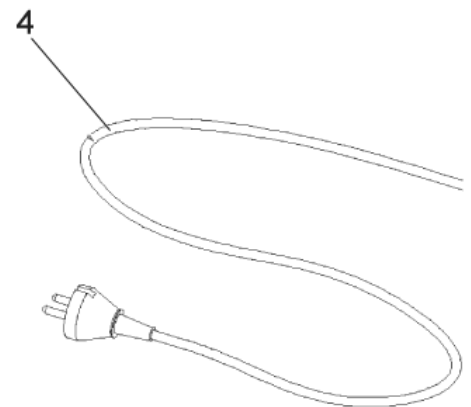
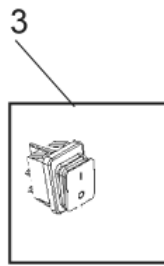
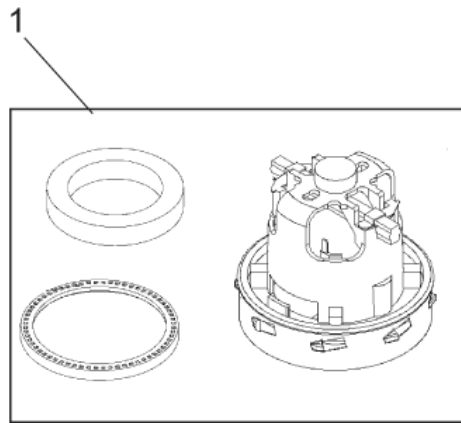
Motor top D120

WD120, 135, 150, 250

18-02-2015

ET-Liste-Nr.
WD12013501

9



Motor top D120

WD120, 135, 150, 250

18-02-2015

ET-Liste-Nr.
WD12013501

10

| Pos | Artikelnr. | Me | Beschreibung |
|-----|--------------|----|---|
| 1 | 140 8689 500 | 1 | Motorturbine 220-240V 1350W MAXXI3/7/DU |
| 1 | 140 8689 510 | 1 | Gebläseeinheit BP 1350W 100-120V |
| 3 | 107404540 | 1 | Schalter |
| 4 | 12222501 | 1 | Netzleitung Set 10m *EU* |
| 4 | 12222503 | 1 | CORD SET UK L 10M |
| 5 | 140 8668 500 | 1 | Haube "MAXXI 3" K |
| 6 | 140 6560 500 | 1 | ANTI STRAIN CLIP |
| 7 | 140 8651 510 | 1 | Griff oben "MAXXI 3/7/7DUO" blau K |
| 8 | 140 8653 500 | 1 | Spannplatte "MAXXI 3" K |
| 9 | 140 7042 500 | 1 | Kabelbaum "MAXXI 3/7" |
| 10 | 140 8664 510 | 1 | CHASSIS GWD 300-SERIES BLACK |
| 11 | 140 8659 500 | 1 | BASKET GD 320 |

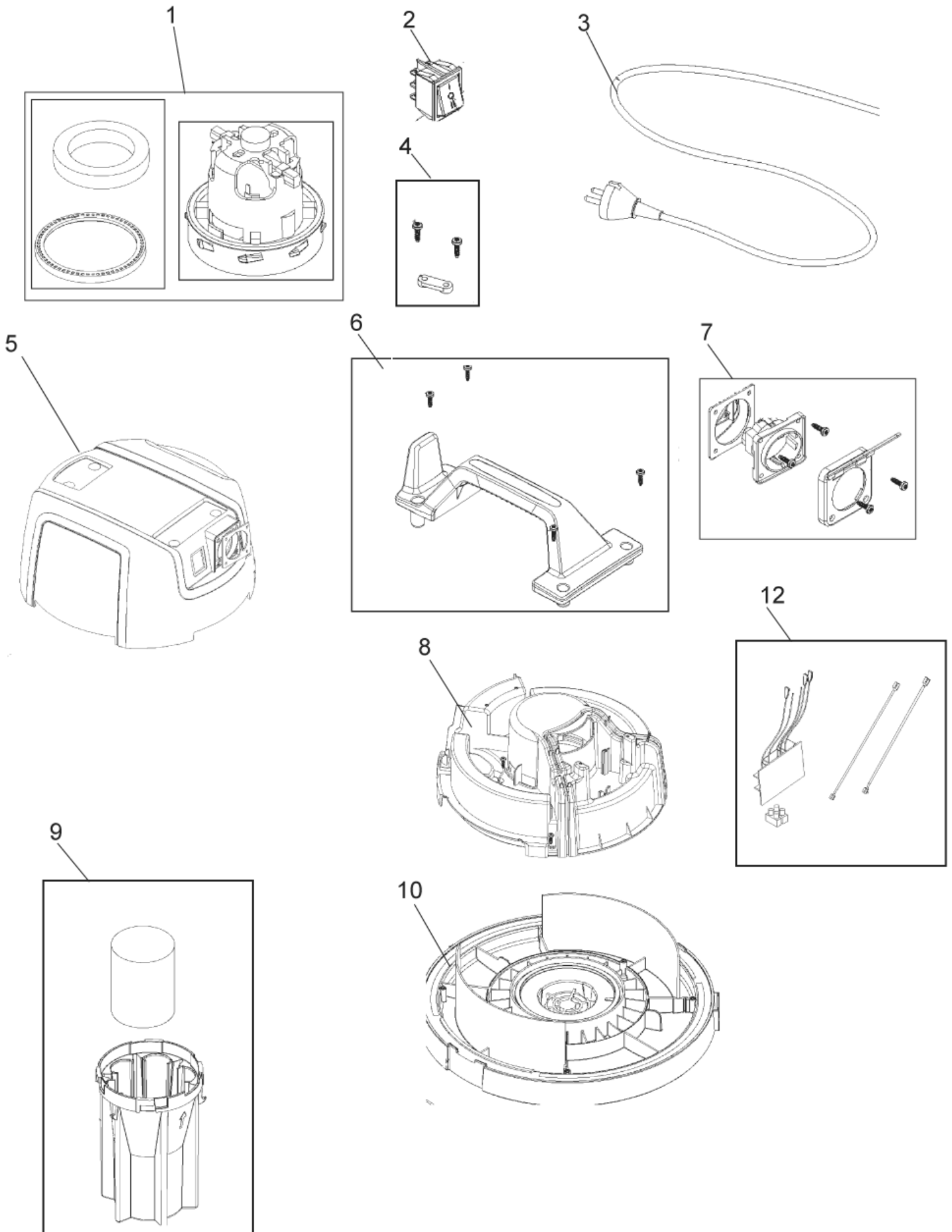
Motor top WD135 Craftsman

WD120, 135, 150, 250

18-02-2015

ET-Liste-Nr.
WD12013503

11



Motor top WD135 Craftsman

WD120, 135, 150, 250

18-02-2015

ET-Liste-Nr.
WD12013503

12

| Pos | Artikelnr. | Me | Beschreibung |
|-----|--------------|----|---|
| 1 | 140 8689 500 | 1 | Motorturbine 220-240V 1350W MAXXI3/7/DU |
| 1 | 140 8689 510 | 1 | Gebälseeinheit BP 1350W 100-120V |
| 2 | 140 8677 500 | 1 | SWITCH CRAFTSMAN GWD 320 |
| 3 | 140 5669 500 | 1 | CORD SET EU 10.5M |
| 3 | 140 6777 500 | 1 | CORD SET UK 10M |
| 4 | 140 6560 500 | 1 | ANTI STRAIN CLIP |
| 5 | 140 8669 500 | 1 | COVER TOP GWD 300-SERIES BLACK |
| 6 | 140 8651 510 | 1 | Griff oben "MAXXI 3/7/7DUO" blau K |
| 7 | 140 8690 500 | 1 | ELECTRICAL OUTLET F/EU-PLUG |
| 7 | 140 8690 510 | 1 | ELECTRIC OUTLET F/UK-PLUG |
| 8 | 140 8653 500 | 1 | Spannplatte "MAXXI 3" K |
| 9 | 140 8680 500 | 1 | Filterstützkorb m.Schwim"MAXXI3/7/DUO"K |
| 10 | 140 8664 510 | 1 | CHASSIS GWD 300-SERIES BLACK |
| 12 | 140 8679 500 | 1 | CIRCUIT BOARD |

machine version 2011

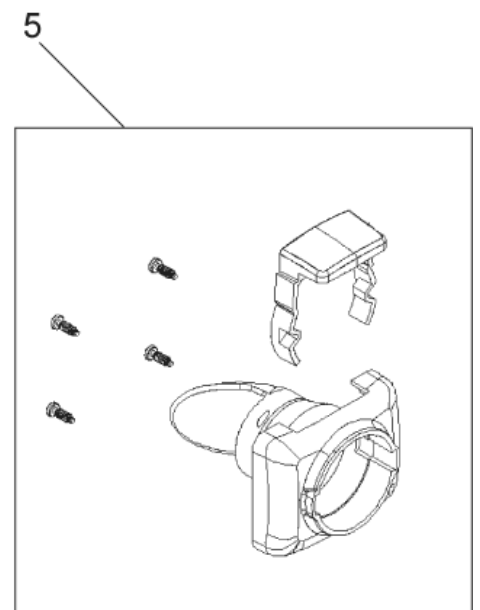
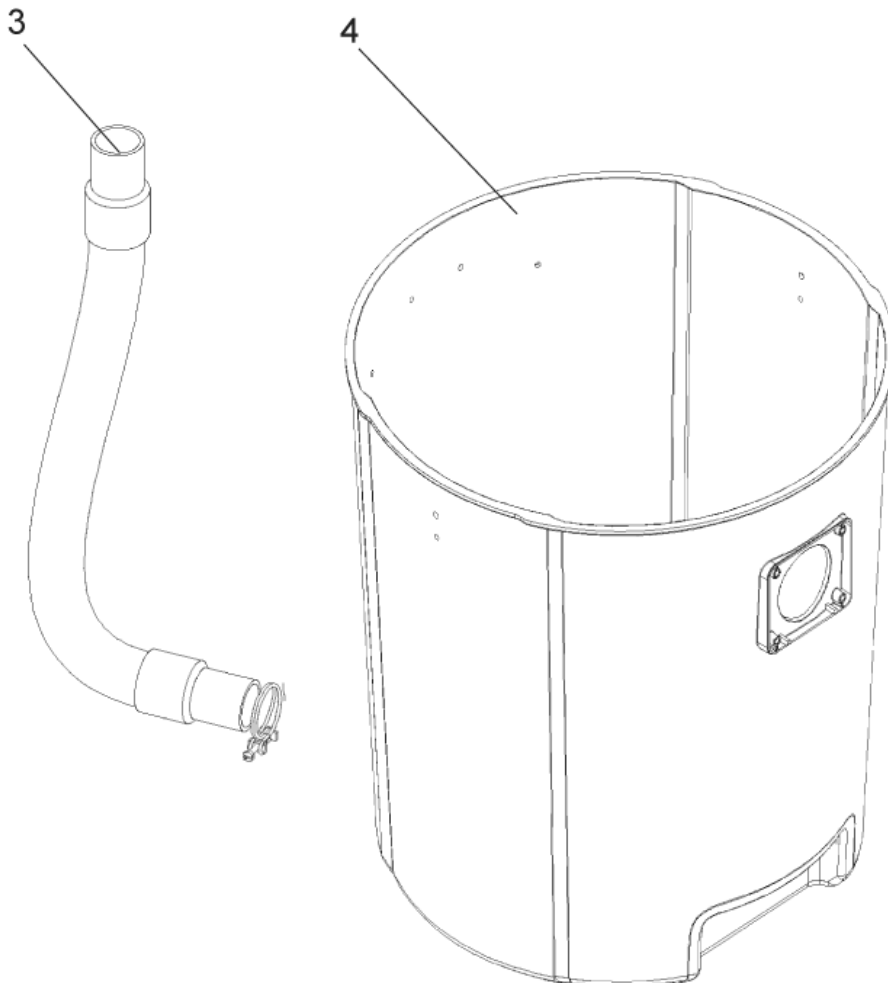
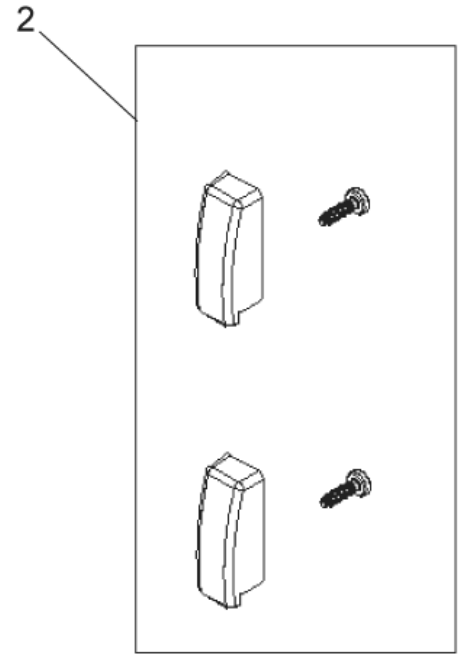
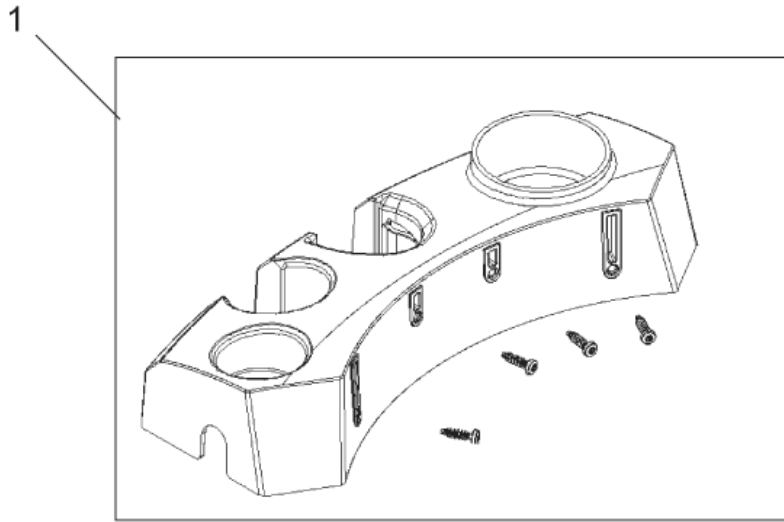
Container WD150, WD250

WD120, 135, 150, 250

18-02-2015

ET-Liste-Nr.
WD12013505

13



Container WD150, WD250

WD120, 135, 150, 250

18-02-2015

ET-Liste-Nr.
WD12013505

14

| Pos | Artikelnr. | Me | Beschreibung |
|-----|--------------|----|---|
| 1 | 140 9517 510 | 1 | Zubehörhalter "MAXXI 7/7DUO" schwarz K |
| 2 | 140 8685 500 | 2 | Haken mit Schraube f. Behälter "MAXXI 7 |
| 3 | 140 7604 500 | 1 | Ablaufschlauch ø32x530 m.Muffen"MAXXI 7 |
| 4 | 140 9538 520 | 1 | CONTAINER 50L NO DRAIN HOSE |
| 5 | 140 7204 520 | 1 | INLET GWD 300-SERIES BLACK |

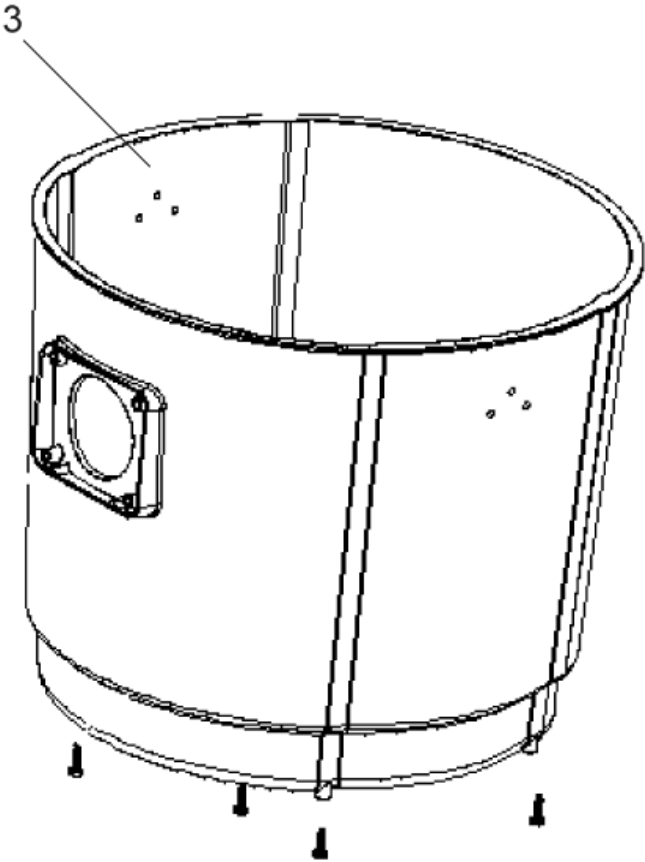
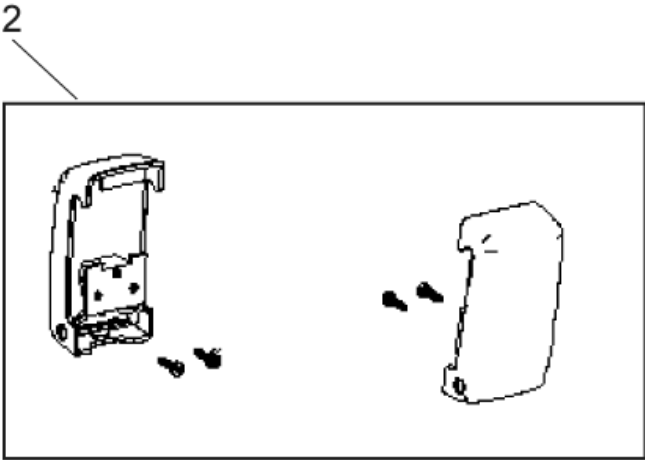
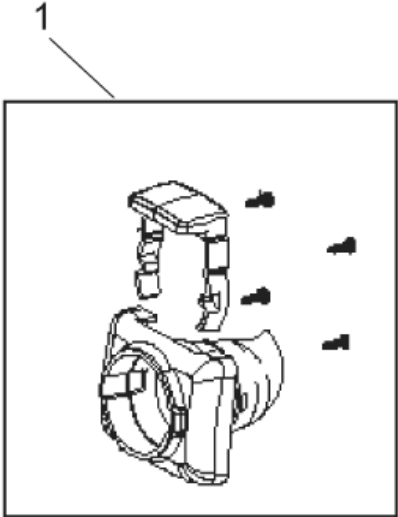
Container D120, WD120, WD135

WD120, 135, 150, 250

18-02-2015

ET-Liste-Nr.
WD12013504

15



Container D120, WD120, WD135

WD120, 135, 150, 250

18-02-2015

ET-Liste-Nr.
WD12013504

16

| Pos | Artikelnr. | Me | Beschreibung |
|-----|--------------|----|--|
| 1 | 140 7204 520 | 1 | INLET GWD 300-SERIES BLACK |
| 2 | 140 8691 520 | 2 | Verschlussklammer Set-2 f. Beh. "MAXXI 3 |
| 3 | 140 8672 530 | 1 | CONTAINER 35L BLUE ALTO |

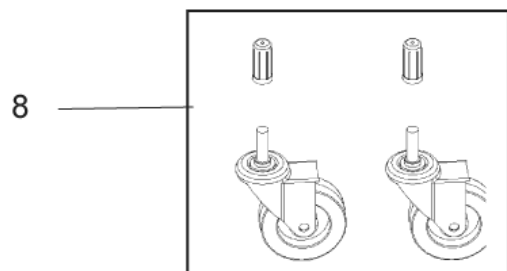
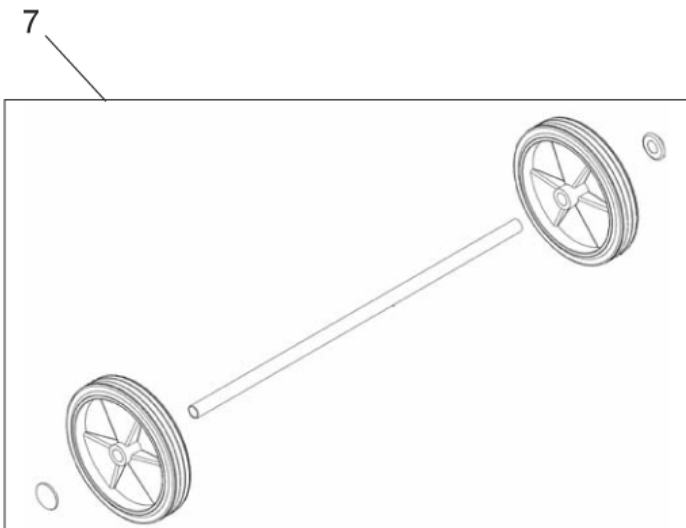
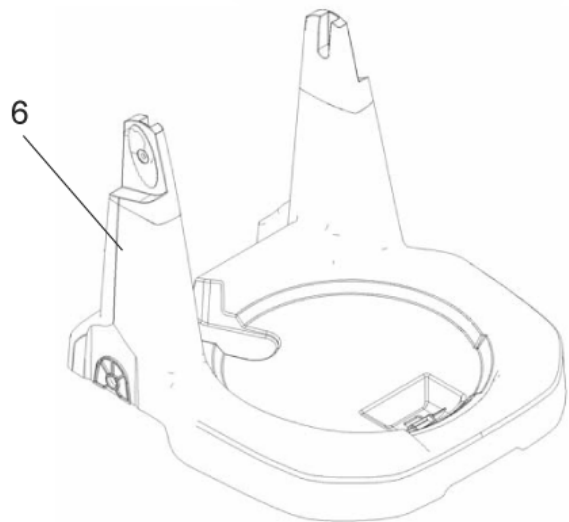
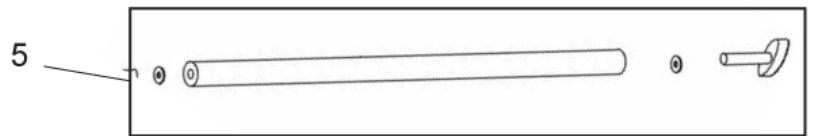
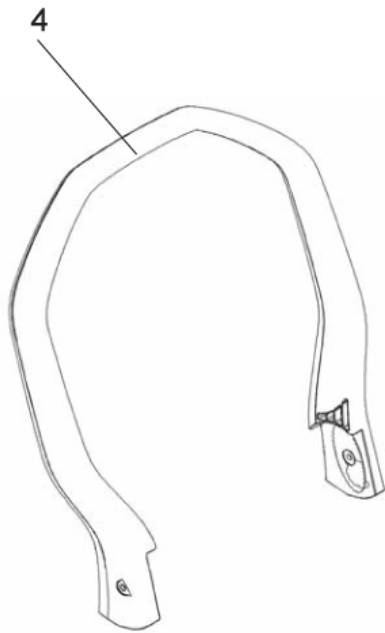
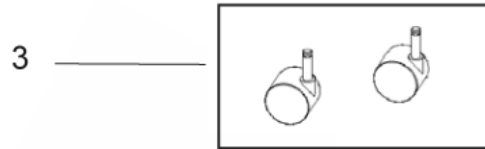
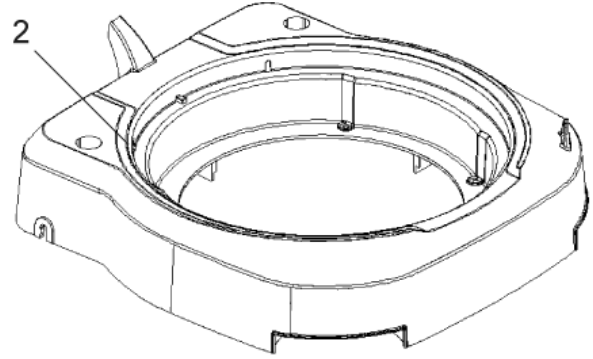
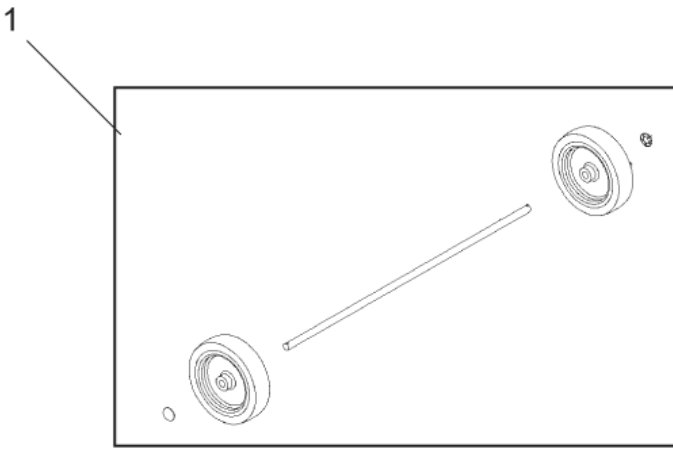
FAHRUNTERSATZ

WD120, 135, 150, 250

18-02-2015

ET-Liste-Nr.
WD12013506

17



FAHRUNTERSATZ

WD120, 135, 150, 250

18-02-2015

ET-Liste-Nr.
WD12013506

18

| Pos | Artikelnr. | Me | Beschreibung | |
|-----|--------------|----|--|----------------------|
| 1 | 140 8446 600 | 2 | Räder 2x mit Achse Set "MAXXI 3 | D 120 WD 120, WD 135 |
| 2 | 140 8662 520 | 1 | Chassis "MAXXI 3" blau K | D 120 WD 120, WD 135 |
| 3 | 140 6422 500 | 2 | Lenkrolle ø50 Set-2 "MAXXI 3 | D 120 WD 120, WD 135 |
| 4 | 140 9519 510 | 1 | HANDLE F. TROLLEY GWD 300-SER. | WD 150, WD 250 |
| 5 | 140 9544 500 | 1 | Achse ø18 m.Schrauben f.Bügel "MAXXI 7 | WD 150, WD 250 |
| 6 | 140 9518 510 | 1 | Chassis "MAXXI 7 / 7 DUO" schwarz K | WD 150, WD 250 |
| 7 | 140 8156 500 | 2 | Räder 2x mit Achse Set "MAXXI 7 / 7DUO | WD 150, WD 250 |
| 8 | 140 5476 500 | 2 | Lenkrolle mit Hülse Set-2 "MAXXI 7/DUO | WD 150, WD 250 |

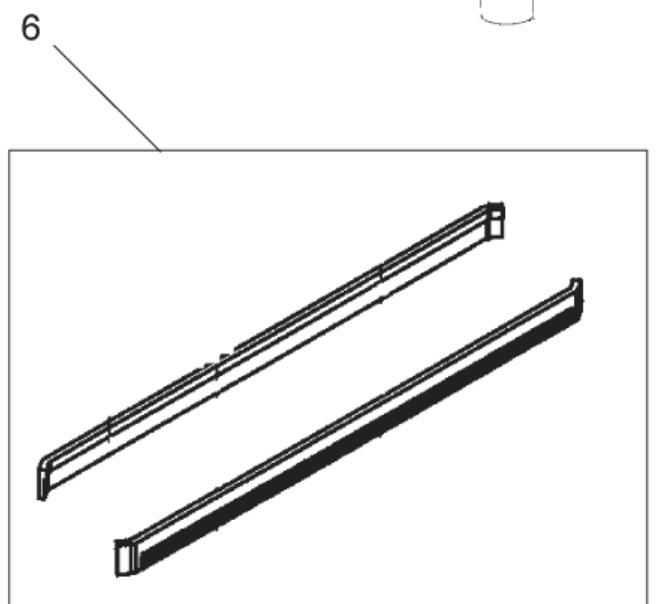
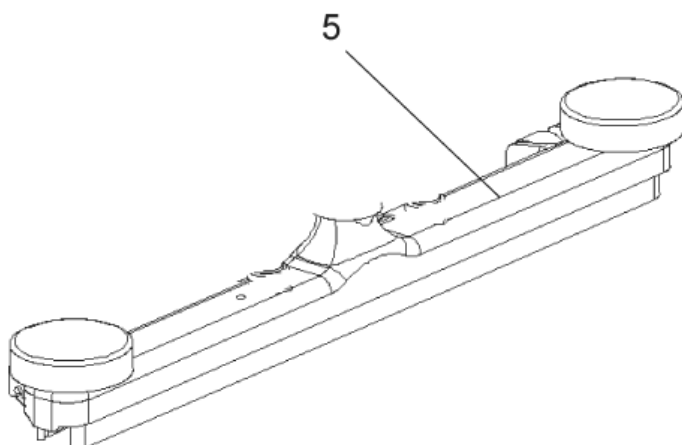
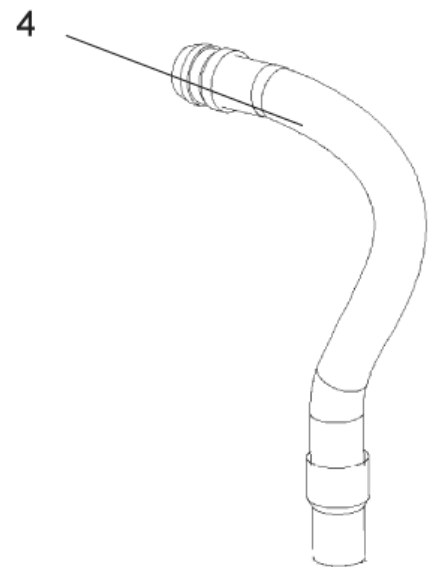
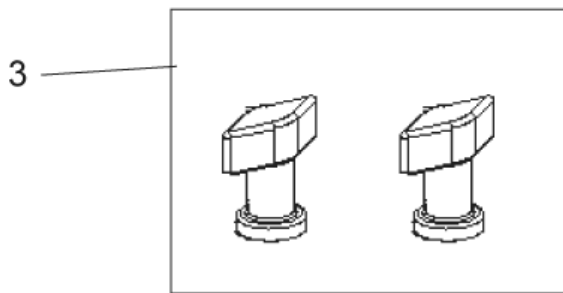
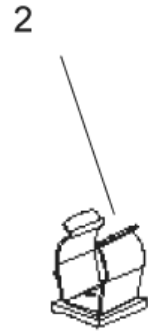
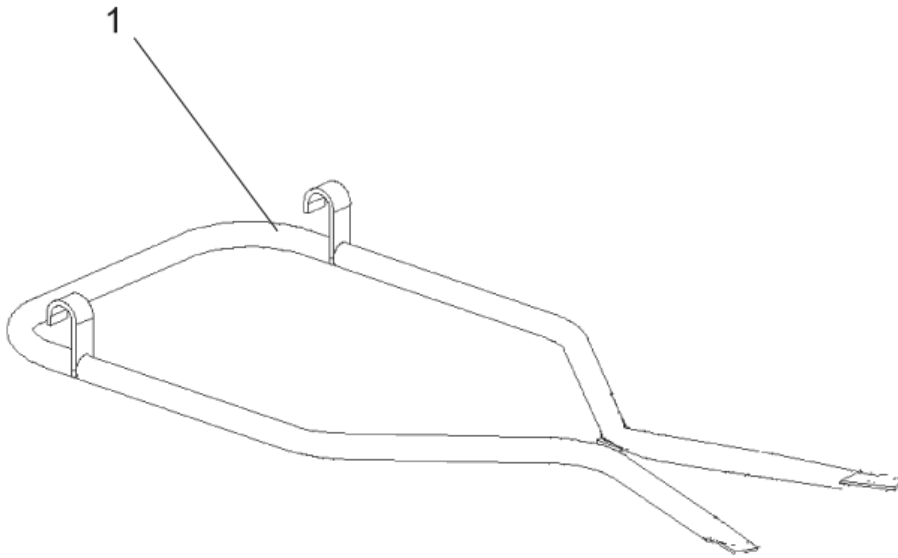
Front nozzle WD150, WD250

WD120, 135, 150, 250

18-02-2015

ET-Liste-Nr.
WD12013507

19



Front nozzle WD150, WD250

WD120, 135, 150, 250

18-02-2015

ET-Liste-Nr.
WD12013507

20

| Pos | Artikelnr. | Me | Beschreibung |
|-----|--------------|----|---|
| 1 | 140 9546 500 | 1 | FRAME F. FRONT NOZZLE |
| 2 | 140 9558 500 | 1 | Klammer für Saugschl. Ø22 "MAXXI 7/7DUO |
| 3 | 140 7947 500 | 2 | NUT THUMB 5/16 |
| 4 | 140 2148 500 | 1 | HOSE D38 FOR FRONT NOZZLE |
| 5 | 56209088 | 1 | 24 SQUEEGEE ASSY. |
| 6 | 56105533 | 2 | BLADE BLUE FOR 24 E00601 |

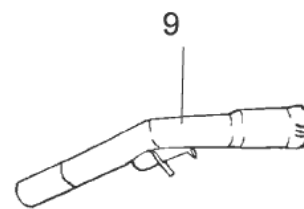
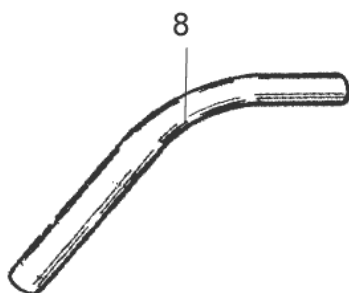
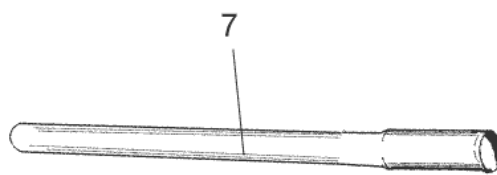
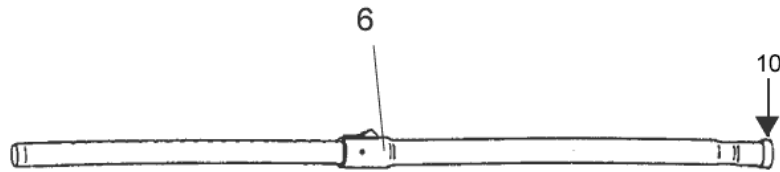
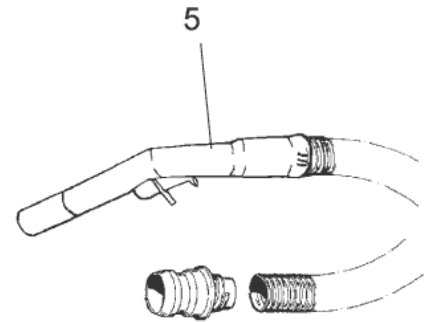
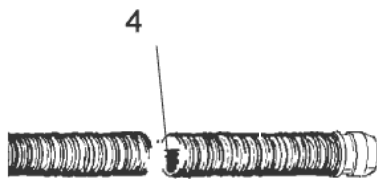
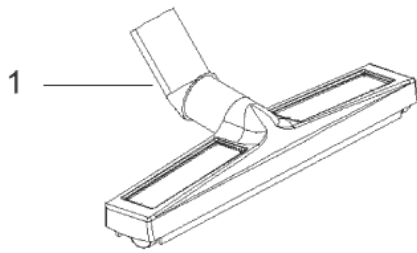
Düsen, Rohre und Schläuche

WD120, 135, 150, 250

18-02-2015

ET-Liste-Nr.
WD12013508

21



Düsen, Rohre und Schläuche

WD120, 135, 150, 250

18-02-2015

ET-Liste-Nr.
WD12013508

22

| Pos | Artikelnr. | Me | Beschreibung |
|-----|--------------|----|--------------------------------|
| 1 | 140 9598 500 | 1 | NOZZLE WET RUBB.STRIP D32 |
| 1 | 140 9598 510 | 1 | NOZZLE DRY BRUSH D32 |
| 1 | 140 9598 520 | 1 | NOZZLE WET D40 |
| 1 | 140 9598 530 | 1 | NOZZLE DRY BRUSH D40 |
| 2 | 140 8244 500 | 1 | BRUSH NOZZLE KIT |
| 3 | 140 8012 500 | 1 | Fugendüse |
| 3 | 140 9599 500 | 1 | NOZZLE CREVICE D40 BLACK |
| 4 | 140 9595 500 | 1 | Schlauch Plastik 400mm |
| 5 | 140 6430 500 | 1 | Schlauch Plastik D32 |
| 6 | 81906500 | 1 | TUBE TELESC.LENGTH MAX 1130 MM |
| 7 | 140 8246 040 | 1 | HandrohrStahl 32x500 mm |
| 7 | 140 9597 500 | 1 | EXTENSION TUBE STEEL 40MM |
| 8 | 140 9596 500 | 1 | HOSE HANDLE STEEL 40MM |
| 9 | 140 7584 500 | 1 | HOSE HANDLE CPL. |
| 10 | 81192100 | 1 | Rohrring 32 mm 3 Nocken |
| 10 | 81948300 | 1 | Rohrring für Teleskoprohr |

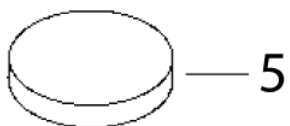
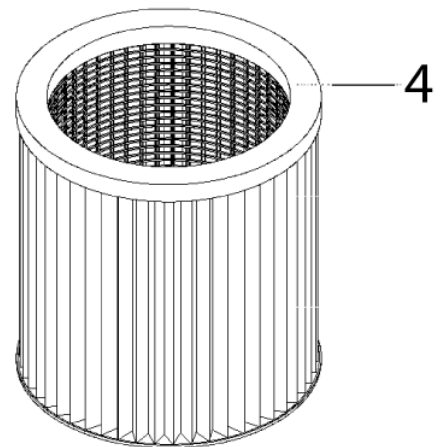
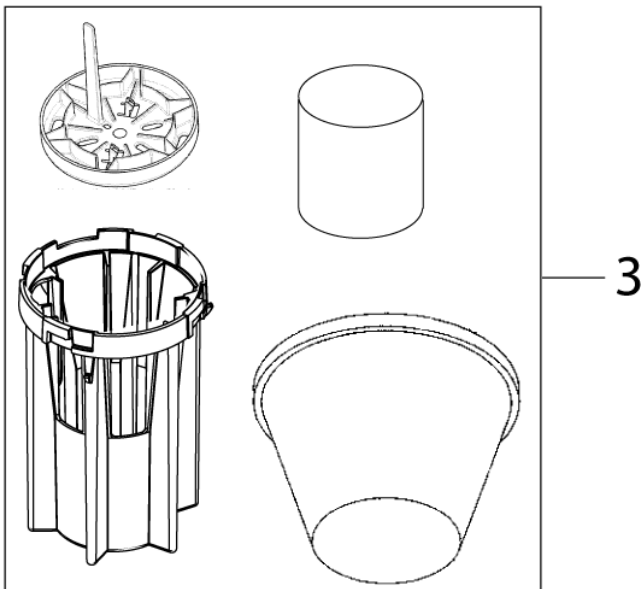
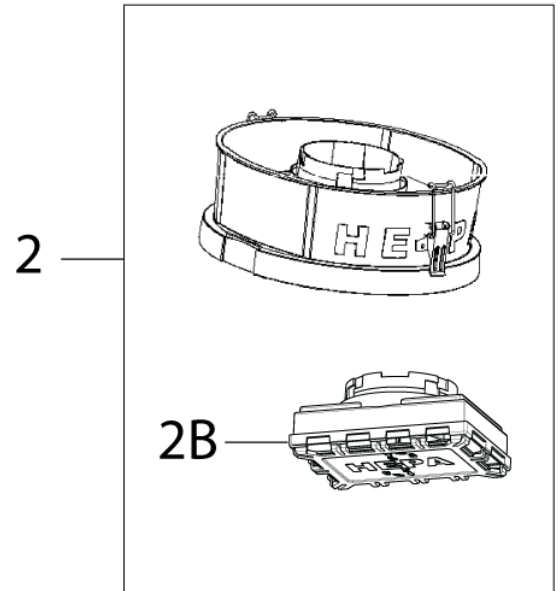
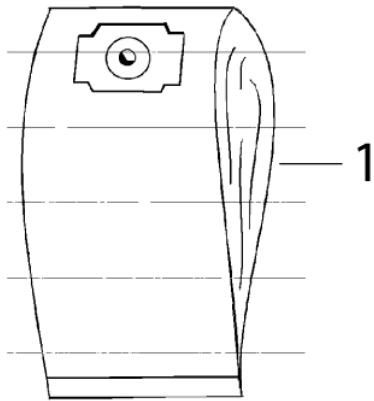
Filter und Filtersack

WD120, 135, 150, 250

18-02-2015

ET-Liste-Nr.
WD12013509

23



Filter und Filtersack

WD120, 135, 150, 250

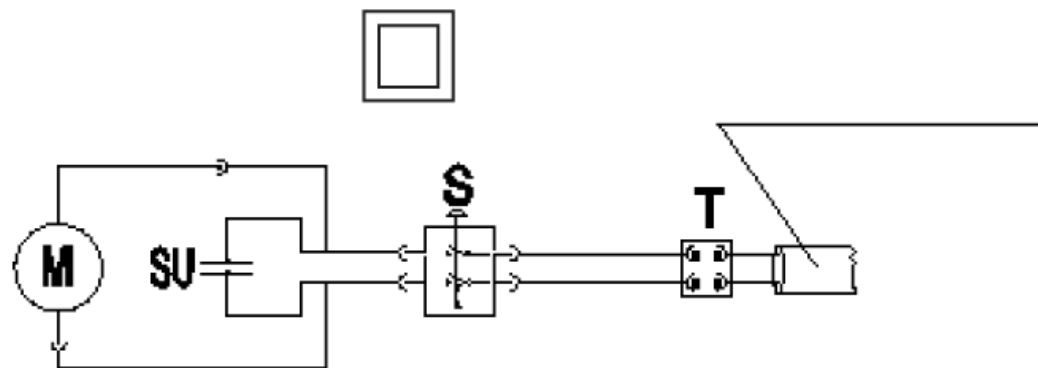
18-02-2015

ET-Liste-Nr.
WD12013509

24

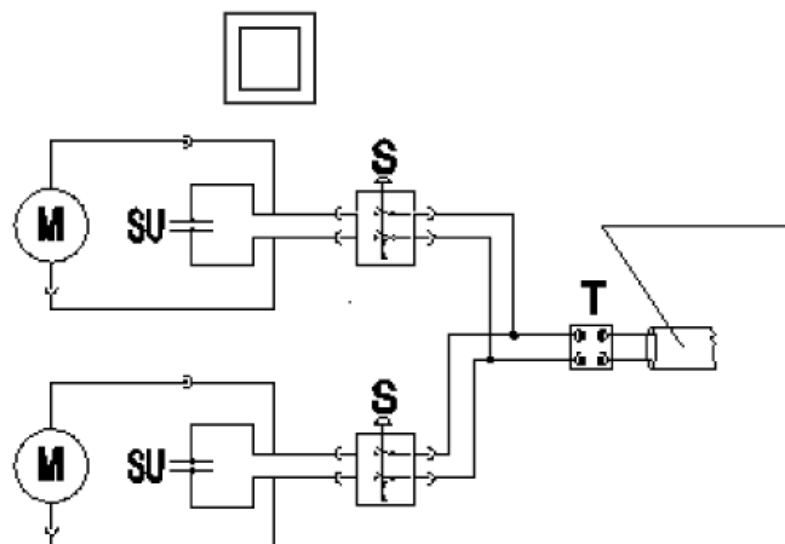
| Pos | Artikelnr. | Me | Beschreibung |
|-----|--------------|----|--|
| 1 | 147 0745 010 | 3 | Filtersack "MAXXI " Set-3 Papie |
| 1 | 147 0746 010 | 3 | Filtersack "MAXXI 7, 7DUO" Set-3 Papie |
| 2 | 140 8670 510 | 1 | COVER HEPA GWD 300-SERIE BLACK |
| 3 | 140 8658 500 | 1 | Einlegetuchfilter "MAXXI 3 |
| 3 | 140 8658 510 | 1 | FILTER SACK GD 320 |
| 3 | 140 9512 500 | 1 | Einlegetuchfilter "MAXXI 7 / 7DUO |
| 4 | 140 8686 500 | 1 | Filterelement MAXXI WD 3/7 |
| 5 | 140 8682 500 | 1 | Filter-Pad für Motorturbine "MAXXI 7 |
| 2B | 140 8678 500 | 1 | Hepa Filter cpl.für GWD 320 |

ONE MOTOR VERSIONS - DOUBLE INSULATED



M= MOTOR - FAN UNIT
S= SWITCH
SU=SUPPRESSOR UNIT
T=TERMINAL BLOCK

TWO MOTOR VERSIONS - DOUBLE INSULATED



M= MOTOR - FAN UNIT
S= SWITCH
SU=SUPPRESSOR UNIT
T=TERMINAL BLOCK

VERDRAHTUNGSPLAN

WD120, 135, 150, 250

18-02-2015

ET-Liste-Nr.
WD12013510

26