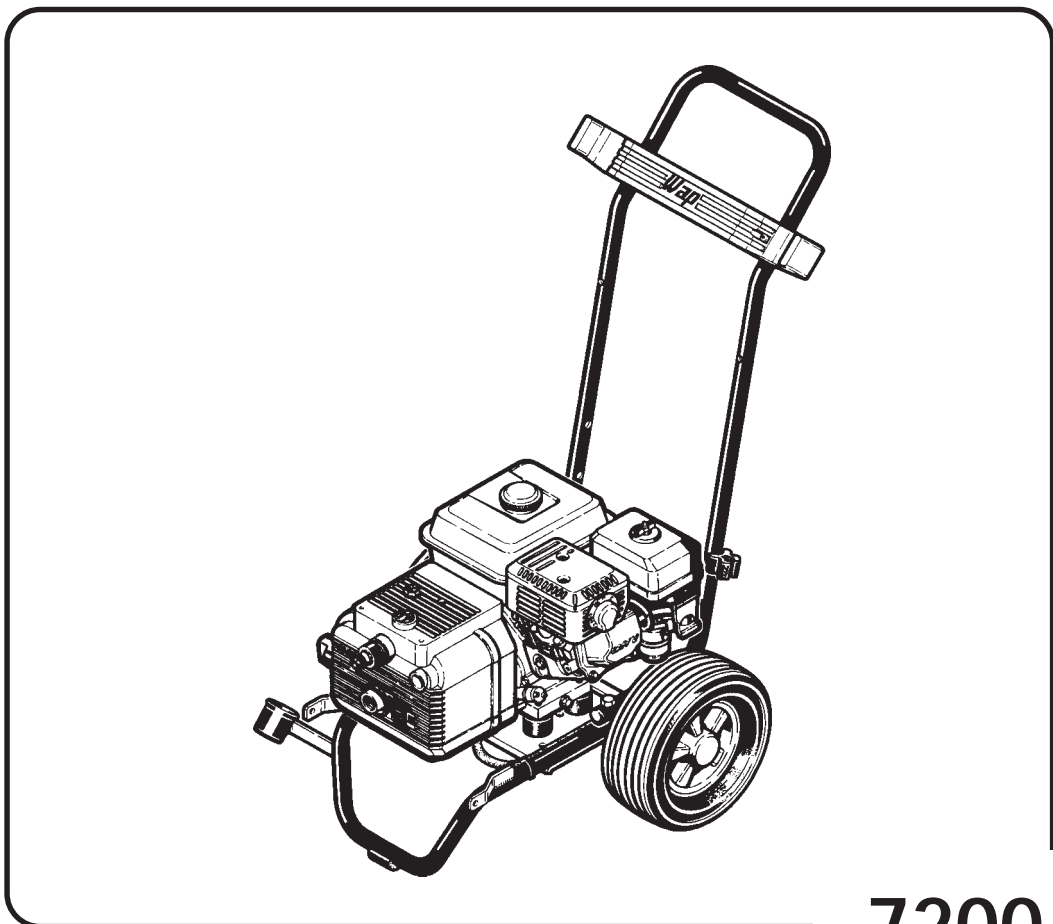


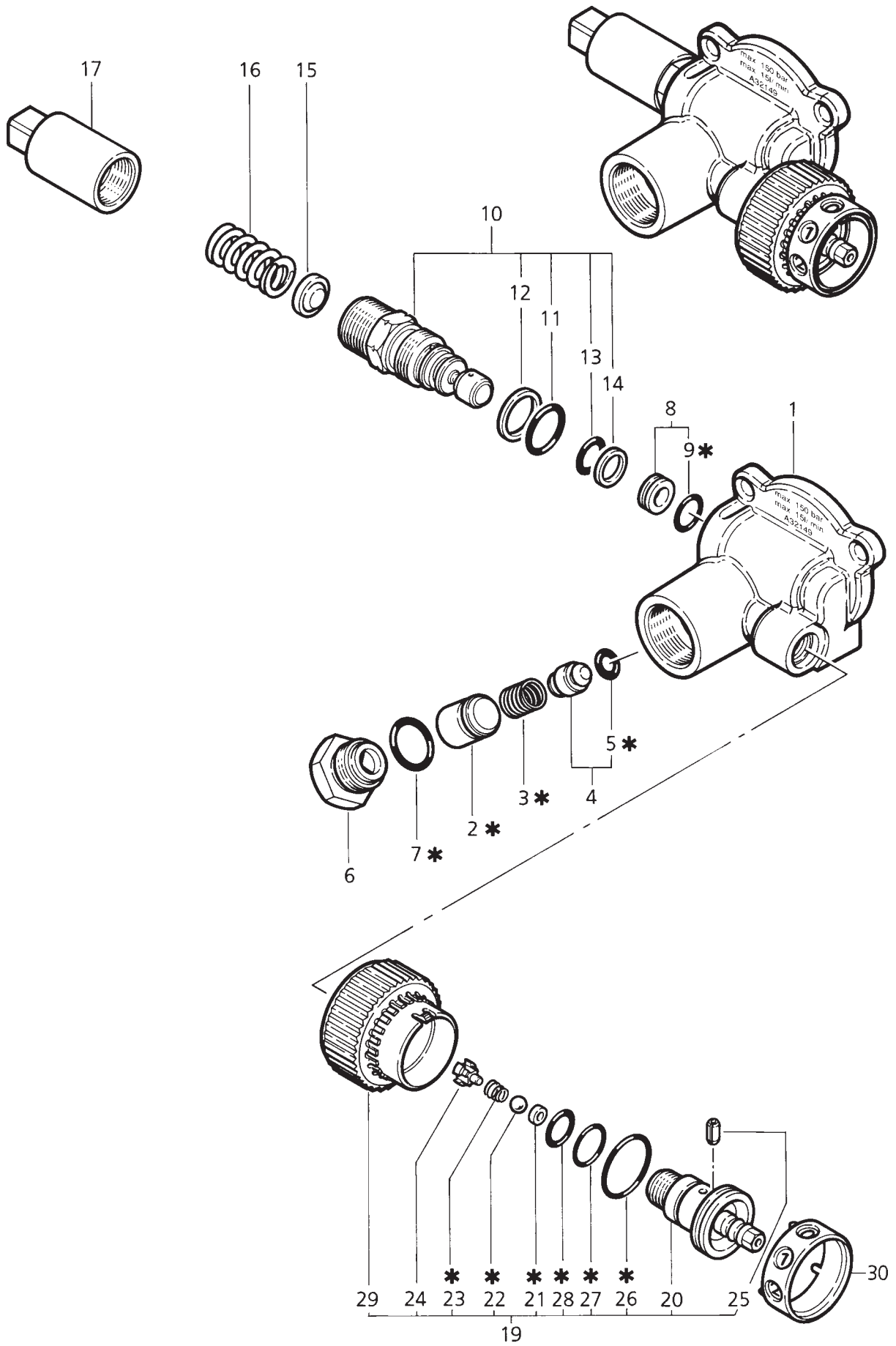
Wap[®]

Ersatzteilliste
Spare Parts
Pièces détachées

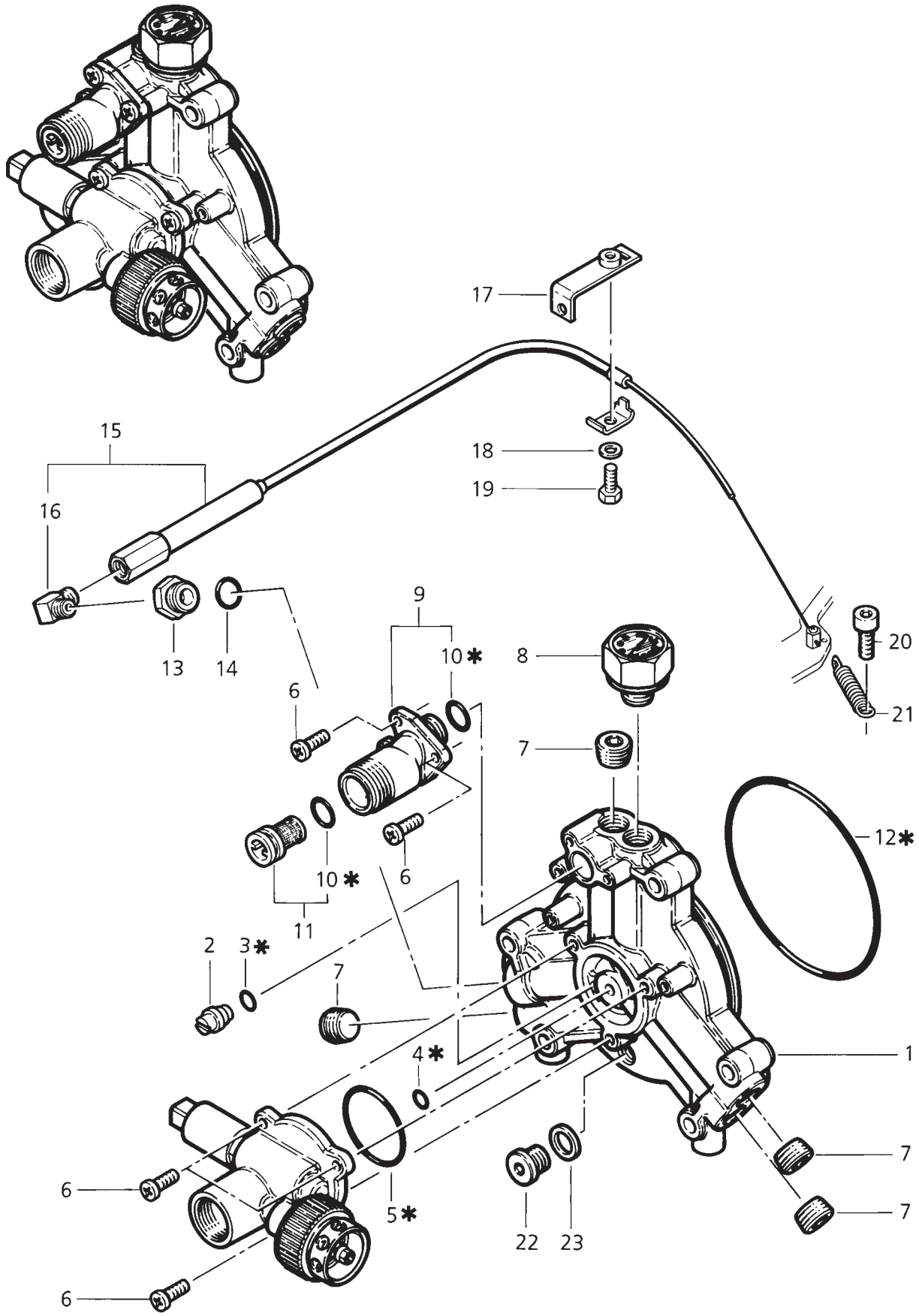


7200 P

49176
010594



| POS. | NO. | BEZEICHNUNG | DESIGNATION | DESIGNATION |
|------|-------|---|----------------------|------------------------|
| 1 | 32149 | Gehäuse | Casing | Carter bloc regulation |
| ★ | 2 | Ventilkäfig | | |
| ★ | 3 | Druckfeder | Pressure spring | Ressort à pression |
| 4 | 32189 | Rückschlagkolben kpl. | | |
| ★ | 5 | O-Ring 5,0x2,5 | O-Ring | Joint torique |
| 6 | 32143 | Stopfen G3/8 | Plug | Bouchon |
| ★ | 7 | O-Ring 14,0x2,0 | O-Ring | Joint torique |
| 8 | 32196 | Dichtsitz kpl. | Seal | Siege |
| ★ | 9 | O-Ring 8,76x1,8 | O-Ring | Joint torique |
| 10 | 55745 | Steuerkolben | Piston valve | Soupape de reglage |
| 11 | 18713 | O-Ring 15,0x1,8 | O-Ring | Joint torique |
| 12 | 55422 | Stützring | Supporting ring | Anneau de pression |
| 13 | 9581 | O-Ring 9,0x2,0 | O-Ring | Joint torique |
| 14 | 55421 | Stützring | Supporting ring | Anneau de pression |
| 15 | 32249 | Federdruckscheibe | Spring pressure disc | Piece de centrage |
| 16 | 56642 | Druckfeder | Pressure spring | Ressort à pression |
| 17 | 55011 | Hülse | Bush | Douille |
| 19 | 32138 | Dosierventil komplett | Metering valve | Soupape de dosage |
| 20 | 32139 | Hohlschraube | Banjo bolt | Vis creuse |
| ★ | 21 | Stützring | Supporting ring | Anneau de pression |
| 22 | 32554 | Kugel | Ball | Bille |
| ★ | 23 | Feder | Spring | Ressort |
| 24 | 32178 | Ring | Ring | Entretoise |
| 25 | 32261 | Spannstift 3x8 DIN 7343 | Adaptor sleeve | Goupille |
| ★ | 26 | O-Ring 21,0x1,5 | O-Ring | Joint torique |
| ★ | 27 | O-Ring 13,0x1,5 | O-Ring | Joint torique |
| ★ | 28 | O-Ring 10,0x2,0 | O-Ring | Joint torique |
| 29 | 32833 | Drehgriff | | |
| 30 | 32834 | Skalenhülse | | |
| ★ | 32978 | Dichtungssatz für Regelsicherheitsblock | Packing set | Jeu de garniture |

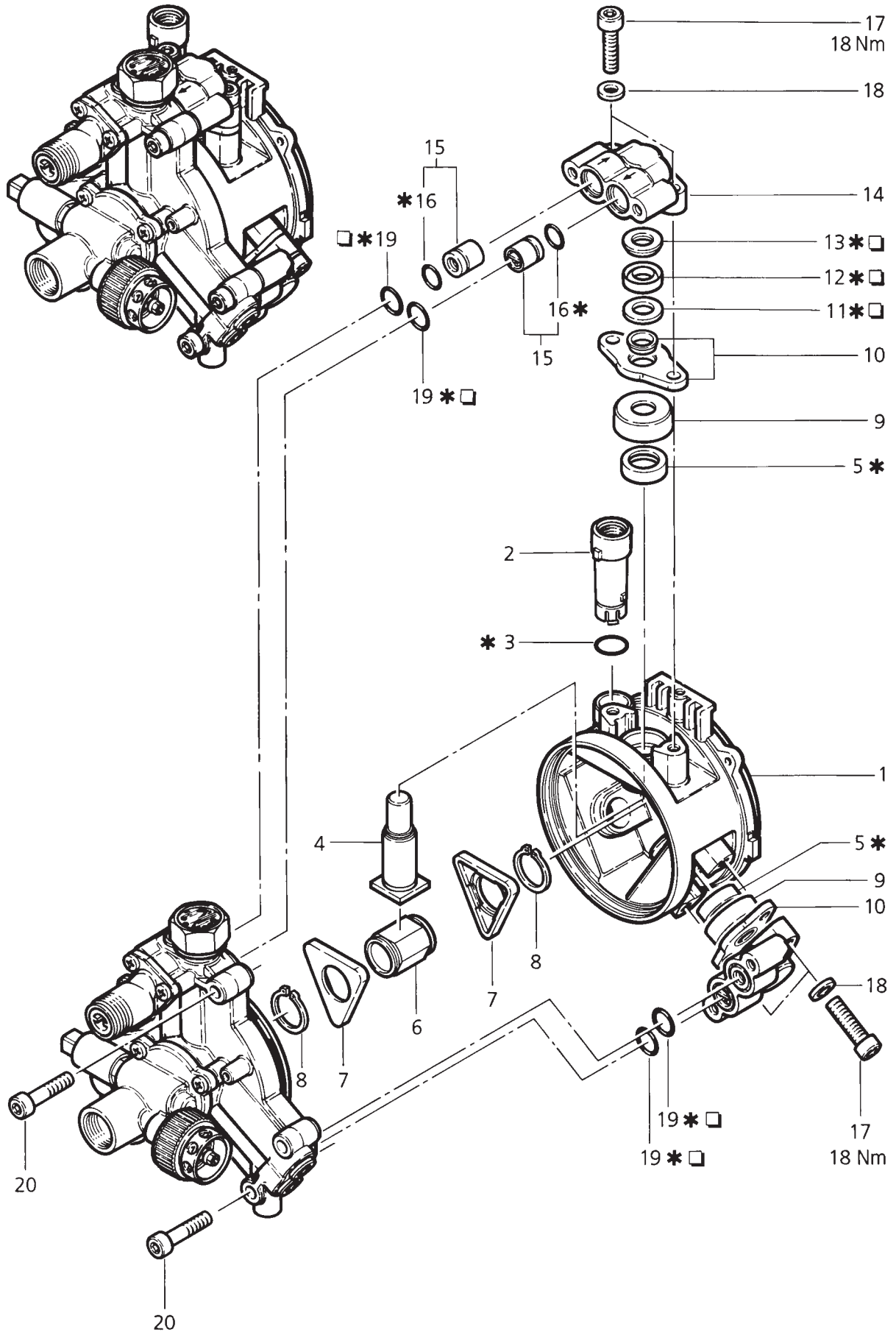


Anderungen im Zuge technischer Neuerungen vorbehalten.

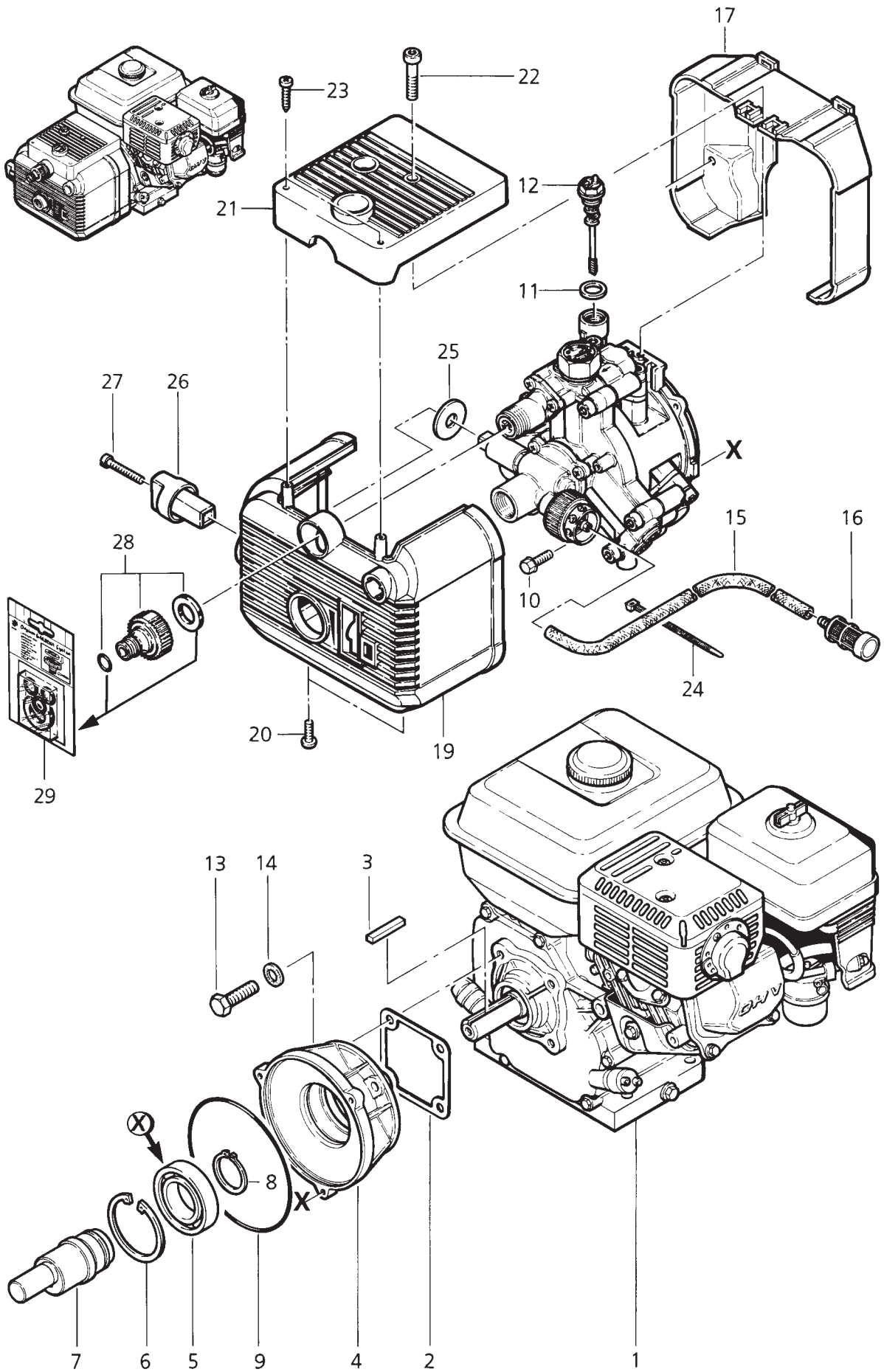
Printed in Germany

© Wap Reinigungssysteme

| POS. | NO. | BEZEICHNUNG | DESIGNATION | DESIGNATION |
|------|-------|---------------------------------|-----------------------|---------------------|
| 1 | 56434 | Pumpendeckel | Pump cover | Couvercle |
| 2 | 56121 | Druckverzögerungsventil kpl. | | |
| ★ | 3 | O-Ring 8,0x1,0 | O-Ring | Joint torique |
| ★ | 4 | O-Ring 8,0x2,0 | O-Ring | Joint torique |
| ★ | 5 | O-Ring 44,0x2,0 | O-Ring | Joint torique |
| 6 | 16839 | Schraube M5x20 DIN 7500 | Screw | Vis |
| 7 | 16837 | Schraube M16x1,5 DIN 906 | Screw | Vis |
| 8 | 32722 | Manometer | Pressure gauge | Manomètre |
| 9 | 55359 | Ansaugstutzen | Intake | Raccord d'admission |
| ★ | 10 | O-Ring 12,3x2,4 | O-Ring | Joint torique |
| 11 | 32933 | Ansaugsieb | Suction strainer | Filtre |
| ★ | 12 | O-Ring 110,0x2,0 | O-Ring | Joint torique |
| 13 | 56884 | Stopfen | Plug | Bouchon |
| 14 | 32279 | O-Ring 13,0x1,5 | O-Ring | Joint torique |
| 15 | 56893 | Drehzahlregelung | | |
| 16 | 56886 | Winkelverschraubung | | |
| 17 | 56885 | Halter | Support | Support |
| 18 | 2763 | Scheibe A 5,3 DIN 125 | Washer | Rondelle |
| 19 | 6596 | Sechskantschraube M5x16 DIN 933 | Hexagon cap screw | Vis 6 pans |
| 20 | 32535 | Zylinderschraube M5x16 DIN 912 | Socket head cap screw | Vis cylindrique |
| 21 | 57308 | Feder | Spring | Ressort |
| 22 | 42312 | Verschuß-Schraube G¼ | Screw plug | Bouchon |
| 23 | 11340 | Dichtring 13x18x1,5 | Packing ring | Anneau d'isolation |
| ★ | 32977 | Dichtungssatz für Pumpe | Packing set | Jeu de garniture |



| POS. | NO. | BEZEICHNUNG | DESIGNATION | DESIGNATION | |
|------|-------|--------------------------------|--------------------------|----------------------|--------------------|
| 1 | 56432 | Pumpengehäuse | Pump casing | Carter de pompe | |
| 2 | 16815 | Öleinfüllstutzen | | | |
| ★ | 3 | 16841 | O-Ring 16,5x1,5 | O-Ring | Joint torique |
| 4 | 56612 | Kolben | Piston | Piston | |
| ★ | 5 | 16847 | Wellendichtring | Oil seal ring | Joint d'étancheité |
| 6 | 16805 | Lagerring | Bearing ring | Palier | |
| 7 | 16823 | Rückziehring | Compulsory feedback ring | Anneau retour piston | |
| 8 | 16848 | Sicherungsring D25x1,2 DIN 471 | Safety ring | Circlips | |
| 9 | 16803 | Leckwasserschutz | | | |
| 10 | 32660 | Druckflansch | | | |
| ☐★ | 11 | 16846 | Ring | Ring | Entretoise |
| ☐★ | 12 | 16845 | Wellendichtring | Oil seal ring | Joint d'étancheité |
| ☐★ | 13 | 16844 | Stützring | Supporting ring | Anneau de pression |
| 14 | 32152 | Ventilblock | Valve block | Corps de soupape | |
| 15 | 56343 | Ventil komplett | Valve compl. | Soupape compl. | |
| ★ | 16 | 16833 | O-Ring 13,5x1,5 | O-Ring | Joint torique |
| 17 | 6863 | Zylinderschraube M8x35 DIN 912 | Socket head cap screw | Vis cylindrique | |
| 18 | 32520 | Scheibe 8,4x16 DIN 433 | Washer | Rondelle | |
| ☐★ | 19 | 9523 | O-Ring 17,0x1,5 | O-Ring | Joint torique |
| 20 | 4042 | Zylinderschraube M8x40 DIN 912 | Socket head cap screw | Vis cylindrique | |
| ☐ | 32613 | Dichtungssatz für 3 Kolben | Packing set | Jeu de garniture | |
| ★ | 32977 | Dichtungssatz für Pumpe | Packing set | Jeu de garniture | |

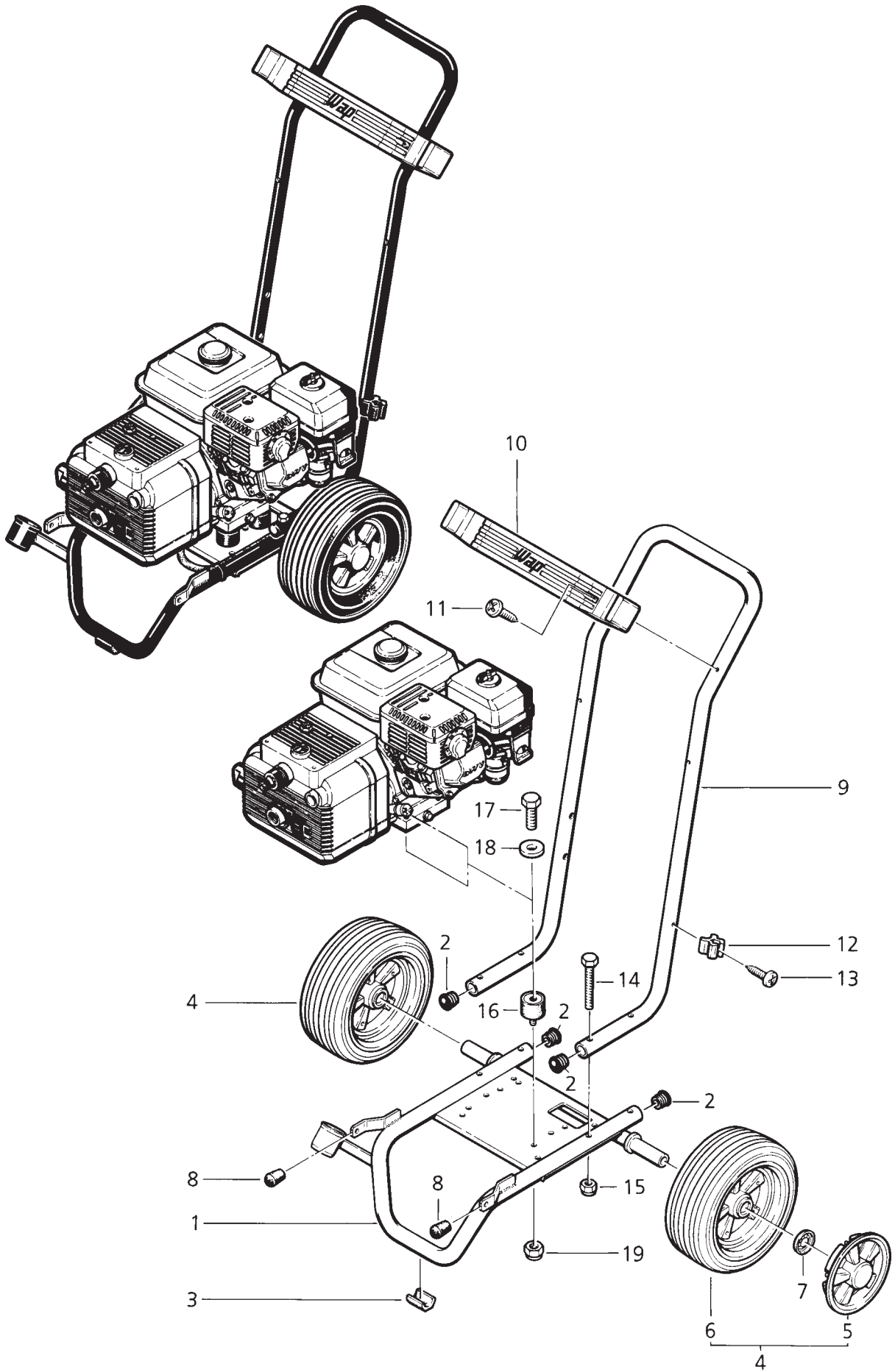


| POS | NO. | BEZEICHNUNG | DESIGNATION | DESIGNATION | |
|-----|-------|--------------------------------|-------------------------|---------------------|-------|
| 1 | 56724 | Benzinmotor | | | |
| 2 | 56423 | Dichtung | Packing | Joint | |
| 3 | 56424 | Keil | | | |
| 4 | 56428 | Flansch | | | |
| 5 | 56735 | Rillenkugellager | | | |
| 6 | 32101 | Sicherungsring D62x2 DIN 472 | Safety ring | Circlips | |
| 7 | 56429 | Antriebswelle | Drive shaft | Arbre a cames | |
| 8 | 32100 | Sicherungsring D35x1,5 DIN 471 | Safety ring | Circlips | |
| 9 | 56430 | O-Ring 125X2 | O-Ring | Joint torique | |
| 10 | 56414 | Schraube M5x20 DIN 7500 | Screw | Vis | |
| 11 | 16048 | Dichtung | Packing | Joint | |
| 12 | 16819 | Ölmeßstab | | | |
| 13 | 32102 | Sechskantschraube | Hexagon cap screw | Vis 6 pans | |
| 14 | 56436 | Scheibe | Disc | Rondelle | |
| ◇ | 15 | 4973 | Schlauch DN 6x3x2100 mm | Hose | Tuyau |
| 16 | 16835 | Ansaugsieb | Suction strainer | Filtre | |
| 17 | 32881 | Haube | Cover | Capot | |
| 19 | 56725 | Haube | Cover | Capot | |
| 20 | 55739 | Schraube M5x10 DIN 7500 | Screw | Vis | |
| 21 | 32880 | Deckel | Cover | Couvercle | |
| 22 | 13600 | Zylinderschraube M6x25 DIN 912 | Socket head cap screw | Vis cylindrique | |
| 23 | 16861 | Schraube PT 4x20 | Screw | Vis autotaraudeuse | |
| 24 | 15147 | Kabelband | Cable tie | Attache pour câbles | |
| 25 | 32358 | Scheibe 14x2 | Washer | Rondelle | |
| 26 | 32832 | Drehgriff | | | |
| 27 | 32378 | Flachkopfschraube M4x40 DIN85 | Pan head screw | Vis à tête aplatie | |
| 28 | 32541 | Hahnstück | | | |
| 29 | 42068 | Dichtungssatz | Packing set | Jeu de garniture | |

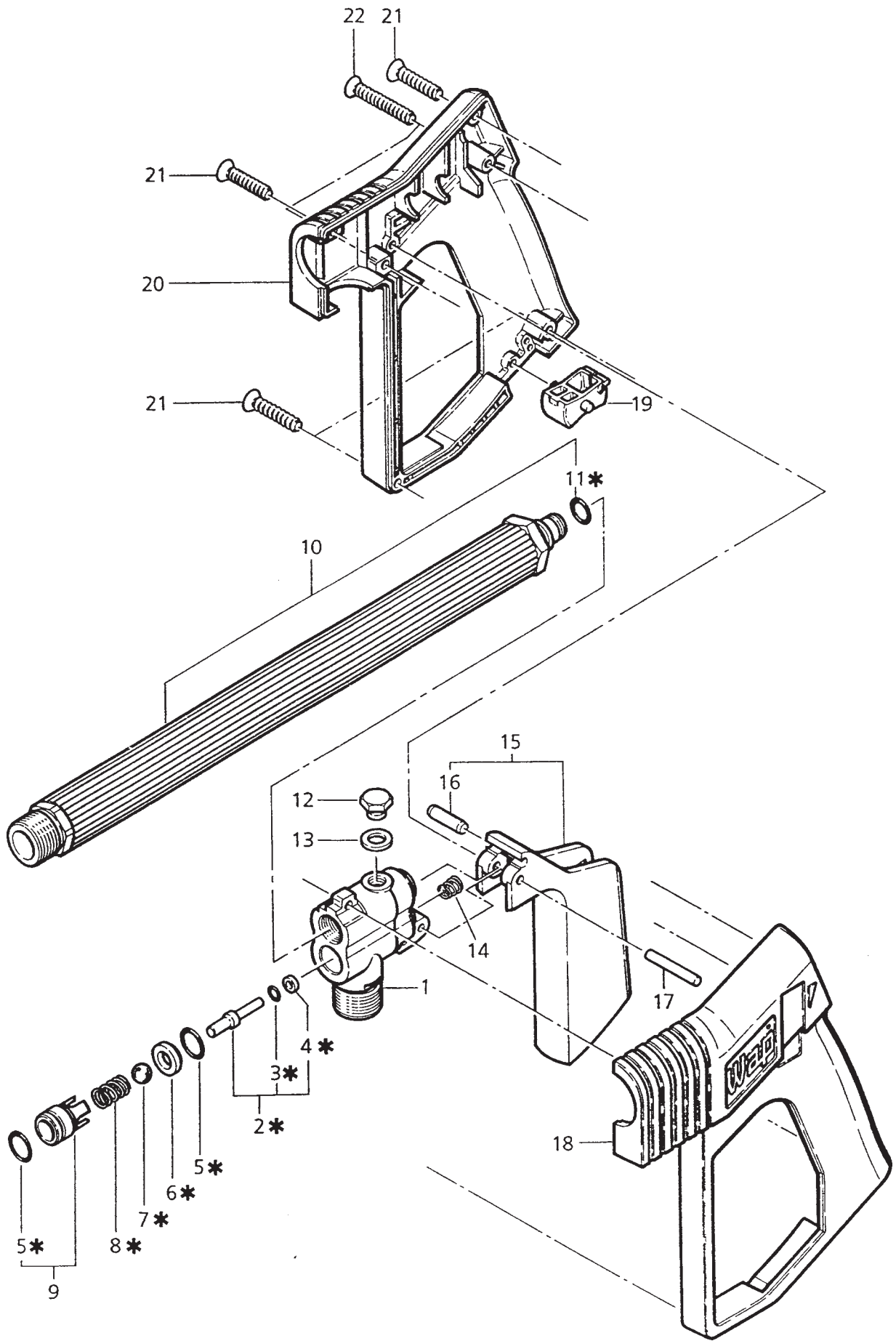
◇ **ACHTUNG!** - Meterware - Bitte bei Bestellung gewünschte Länge angeben!

◇ **ATTENTION!** - Lengths in metres - Please indicate required length when ordering!!

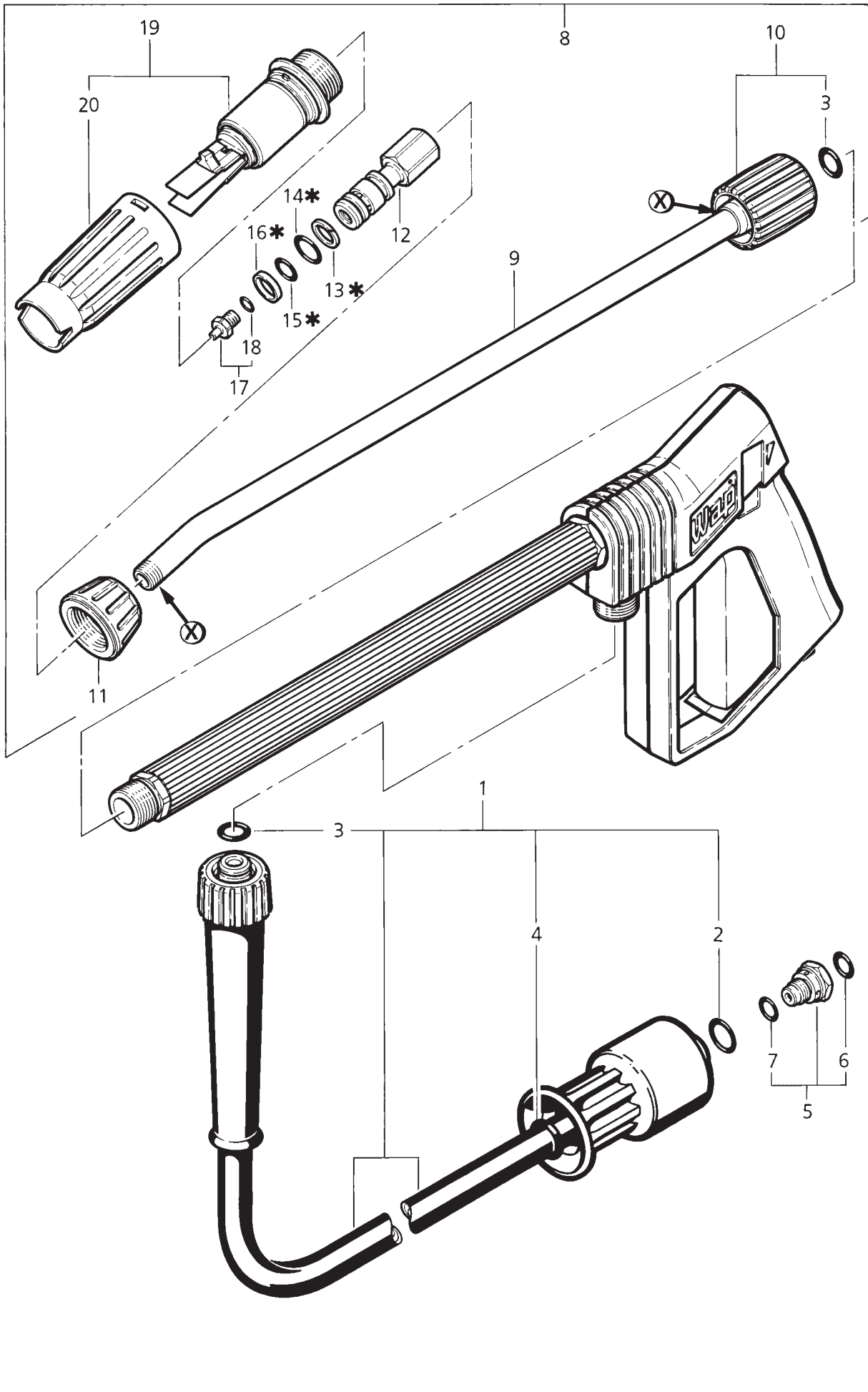
◇ **ATTENTION!** - Longueurs par mètre - Préciser la longueur à la commande!



| POS. | NO. | BEZEICHNUNG | DESIGNATION | DESIGNATION |
|------|-------|---------------------------------|-------------------|--------------------|
| 1 | 11681 | Grundrahmen | Frame | Chassis |
| 2 | 11251 | Kappe | Cap | Capuchon |
| 3 | 11709 | Fuß | | |
| 4 | 11707 | Rad D260 | Wheel | Roue |
| 5 | 11751 | Radkappe | Cap | Capuchon |
| 6 | 11750 | Rad D260 | Wheel | Roue |
| 7 | 7022 | Klemmring D20x3,3 | Clamping ring | Rondelle frein |
| 8 | 10199 | Schutzkappe | | |
| 9 | 11682 | Bügel | Bracket | Arceau |
| 10 | 11659 | Auflage | | |
| 11 | 5186 | Blechschaube 4,8x25 DIN 7981 | Sheet metal screw | Vis autotaraudeuse |
| 12 | 41405 | Klammer | | |
| 13 | 5190 | Blechschaube 4,8x13 DIN 7981 | Sheet metal screw | Vis autotaraudeuse |
| 14 | 11721 | Sechskantschraube M6x55 DIN 933 | Hexagon cap screw | Vis 6 pans |
| 15 | 11619 | Sechskantmutter M6 DIN 985 | Hexagon nut | Ecrou 6 pans |
| 16 | 41420 | Gummi-Metall-Puffer | | |
| 17 | 2755 | Sechskantschraube M8x30 DIN 933 | Hexagon cap screw | Vis 6 pans |
| 18 | 2762 | Scheibe A8,4 DIN 125 | Washer | Rondelle |
| 19 | 6052 | Sechskantmutter M8 DIN 985 | Hexagon nut | Ecrou 6 pans |



| PO | NO. | BEZEICHNUNG | DESIGNATION | DESIGNATION |
|----|-------|---------------------------------|--------------------|---------------------------------------|
| | 1 | 16287 | Gehäuse | Casing |
| ★ | 2 | 32813 | Stift | |
| ★ | 3 | 16503 | O-Ring 2,8x1,8 | O-Ring Joint torique |
| ★ | 4 | 16576 | Stützring | Supporting ring Anneau de pression |
| ★ | 5 | 9852 | O-Ring 11x1,5 | O-Ring Joint torique |
| ★ | 6 | 16671 | Dichtsitz | Seal Siege |
| ★ | 7 | 16507 | Kugel | Ball Bille |
| ★ | 8 | 16505 | Druckfeder | Pressure spring Ressort à pression |
| | 9 | 32845 | Federbüchse | |
| | 10 | 32812 | Rohr | Tube Tube |
| ★ | 11 | 16335 | O-Ring 8,0x1,5 | O-Ring Joint torique |
| | 12 | 16499 | Stopfen M8x1 | Plug Bouchon |
| | 13 | 4654 | Dichtring | Packing ring Anneau d'isolation |
| | 14 | 16506 | Druckfeder | Pressure spring Ressort à pression |
| | 15 | 32810 | Hebel | Lever Levier |
| | 16 | 16621 | Zylinderstift 5x20 | |
| | 17 | 16508 | Zylinderstift 4x30 | |
| | 18 | 32193 | Gehäuse | Casing |
| | 19 | 16165 | Kipphebel | |
| | 20 | 16162 | Gehäuse | Casing |
| | 21 | 16511 | Schraube PT 40x20 | Screw Vis autotaraudeuse |
| | 22 | 16510 | Schraube PT 40x30 | Screw Vis autotaraudeuse |
| ★ | 16754 | Dichtungssatz für Spritzpistole | Packing set | Jeu de garniture |



| POS. | NO. | BEZEICHNUNG | DESIGNATION | DESIGNATION | |
|------|-------|---------------------------------|-------------------|----------------------------|--------------------|
| 1 | 55130 | HD-Schlauch DN 6x10 m | HP-hose | Tuyau HP | |
| 2 | 1381 | O-Ring 14,0x2,0 | O-Ring | Joint torique | |
| 3 | 6149 | O-Ring 9,3x2,4 | O-Ring | Joint torique | |
| 4 | 12650 | O-Ring 12,37X2,62 | O-Ring | Joint torique | |
| 5 | 55192 | Injektordüse | | | |
| 6 | 16925 | O-Ring 8,0x2,0 | O-Ring | Joint torique | |
| 7 | 6716 | O-Ring 7,1x2,0 | O-Ring | Joint torique | |
| 8 | 32916 | Sprührohr | Spray lance | Lance de projection coudée | |
| 9 | 32918 | Rohr | Tube | Tube | |
| 10 | 55043 | Quickverschraubung | Quick connection | Raccord rapide | |
| 11 | 55183 | Kappe | Cap | Capuchon | |
| 12 | 55182 | Düsenkörper | | | |
| ★ | 13 | 55185 | Stützring | Supporting ring | Anneau de pression |
| ★ | 14 | 9154 | O-Ring 10,82x1,78 | O-Ring | Joint torique |
| ★ | 15 | 7424 | O-Ring 8,76x1,8 | O-Ring | Joint torique |
| ★ | 16 | 55184 | Stützring | Supporting ring | Anneau de pression |
| 17 | 55190 | HD-Düse 055 | | | |
| 18 | 15404 | O-Ring 6,0x1,0 | O-Ring | Joint torique | |
| 19 | 55187 | Strahlformer | | | |
| 20 | 55162 | Kappe | Cap | Capuchon | |
| ★ | 55188 | Dichtungssatz für Universaldüse | Packing set | Jeu de garniture | |