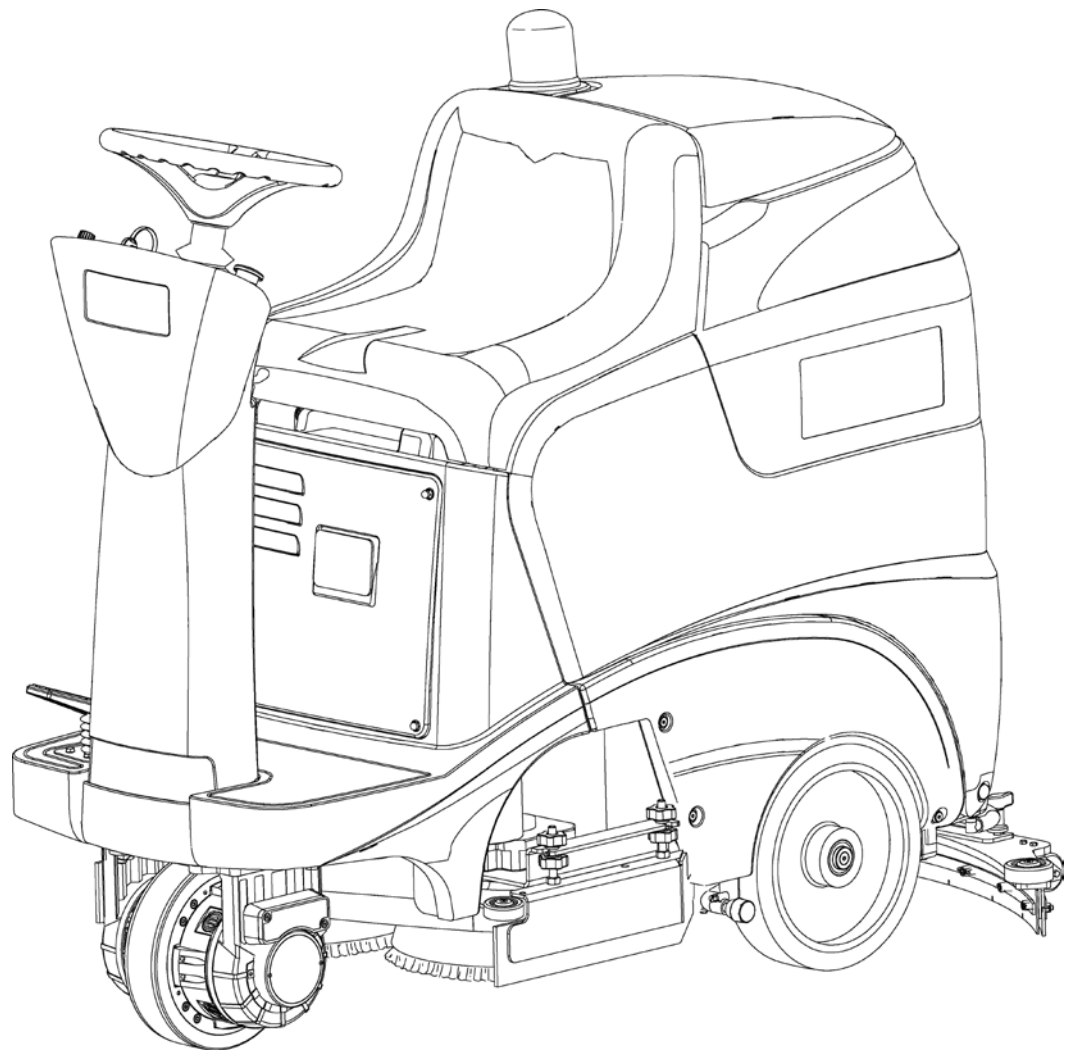


BR 601 / 651 / 751 - 751C



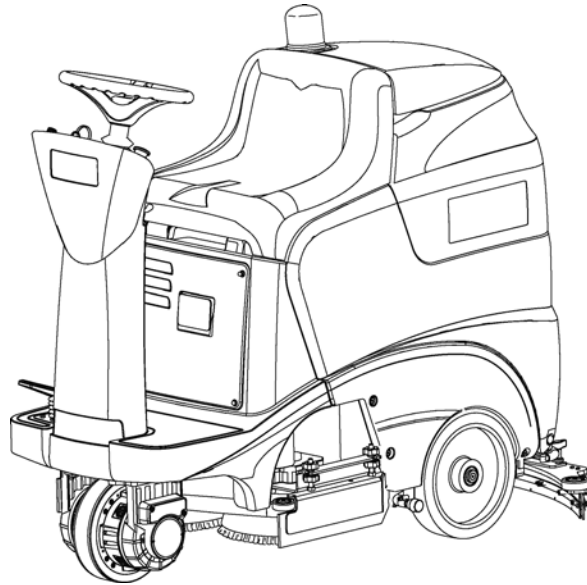
CATALOGO RICAMBI
PARTS LIST
ERSATZTEILLISTE
LISTE DE PIECES DETACHEES



Nilfisk
Advance
setting standards

909 6161 000(4)2007-10





I

GB

D

F

 Pagina
Page
Seite -Page

VISTA GENERALE	GENERAL VIEW	GESAMTANSICHT	VUE GENERAL	2 - 3
GRUPPO SERBATOI	TANKS ASSEMBLY	TANKS SYSTEM	GROUPE RESERVOIRS	4 - 5
SERBATOIO ACQUA SPORCA	DIRTY WATER TANK	SCHMUTZWASSERTANK	RESERVOIR EAU SALE	6 - 7
GRUPPO TELAIO	CHASSIS SYSTEM	CHASSIS SYSTEM	CHASSIS SYSTEM	8 - 9
GRUPPO RUOTA ANTERIORE	FRONT WHEEL ASSEMBLY	VORNE RAD SATZ	GROUPE ROUE AVANT	10 - 11
GRUPPO STERZO	STEERING SYSTEM	LENKUNG SATZ	GROUPE COL. DE DIRECTION	14 - 15
GRUPPO PLANCE	CONTROL PANEL ASSEMBLIES	ARMATURENBRETT SYSTEME	GROUPE PLANCHES	16 - 17
GRUPPO PEDALE	PEDAL ASSEMBLY	PEDALS SATZ	GROUPE PEDALE	18 - 21
GRUPPO PEDANA	FOOTBOARD ASSEMBLY	TRITTBRETT SATZ	GROUPE MARCHEPIED	22 - 23
ECO DOSAGE SOLUTION	ECO DOSAGE SOLUTION	ECO DOSAGE SOLUTION	ECO DOSAGE SOLUTION	24 - 25
GRUPPO ELETTROVALVOLA	SOLUTION SYSTEM	WASSERZUFUEHRUNG	CIRCUIT DE SOLUTION	26 - 29
GRUPPO TERGITORE 601-651	SQUEEGEE SYSTEM 601-651	SAUGDUESENSYST. 601-651	SYST. D'EMBOUCHURE 601-651	30 - 33
GRUPPO TERGITORE 751	SQUEEGEE SYSTEM 751	SAUGDUESENSYST. 751	SYST. D'EMBOUCHURE 751	34 - 37
GRUPPO SPAZZOLE	BRUSHES SYSTEM	BUERSTEN SYSTEM	SYSTEME DE BROSSES	38 - 41
GRUPPO SPAZZOLE CIL.	CYL. BRUSHES SYSTEM	ZYL. BUERSTEN SYSTEM	SYSTEME DE BROSSES CYL.	42 - 45
OPTIONAL SPAZZOLE	BRUSHES OPTIONAL	BUERSTEN OPTIONAL	OPTIONAL BROSSES	46 - 47
GRUPPO SEDILE	SEAT ASSEMBLY	SITZ SATZ	GROUPE SIEGE	48 - 49
GRUPPO SOLLEVAMENTO TESTATA	BRUSH DECK LIFTING SYSTEM	ERHEBUNG SYSTEM - BUERSTEN	SYSTEME RELEVAGE BROSSE	50 - 51
COMPONENTI ELETTRICI	ELECTRICAL COMPONENTS	ELEKTRISCHE KOMPONENTEN	COMPONENTS ELECTRIQUES	52 - 55
SCHEMA ELETTRICO	WIRING DIAGRAM	SCHALTPLAN	DIAGRAMME ELECTRIQUE	56 - 57
ACCESSORI	ACCESSORIES	ZUBEHOERE	ACCESSOIRES	58 - 61
RICAMBI CONSIGLIATI	RECOMMENDED SPARE PARTS	EMPFOHLENE ERSATZTEILE	PIECES DETACHEE RECOMMANDEES	62 - 63

WHEN ORDERING PARTS

- * Use the 8, 9 or 10 digit numbers from the "Ref. No." columns in this parts list.
- * Specify the model and serial number of the machine.
- * Use the space below to record the model and serial number for future reference.

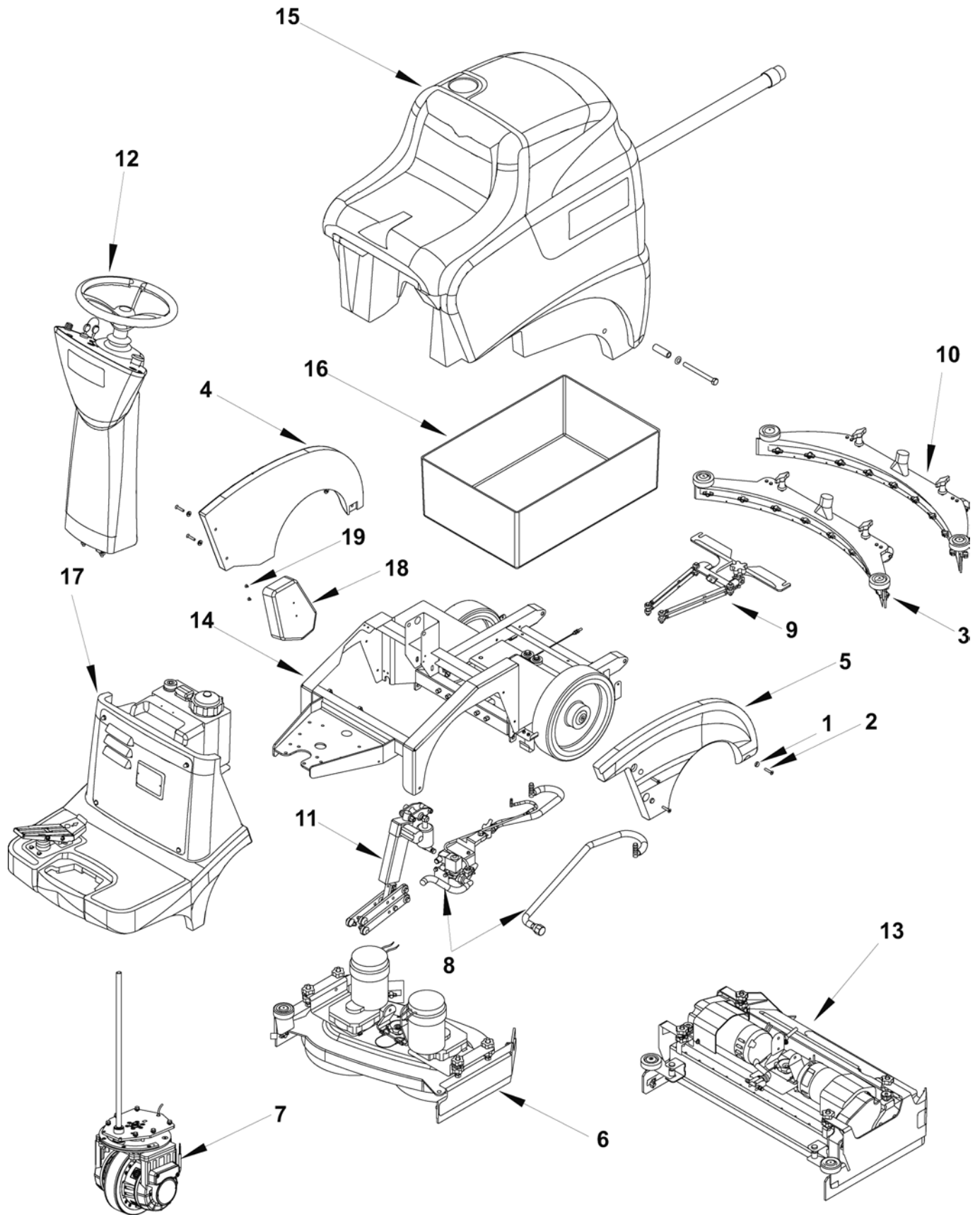
Model _____ Serial No. _____

 * = *Optional*

 # = *Modified item No. or New item No.*

 0 = *Not shown*

 xxxxxx = *Contained in a Kit*



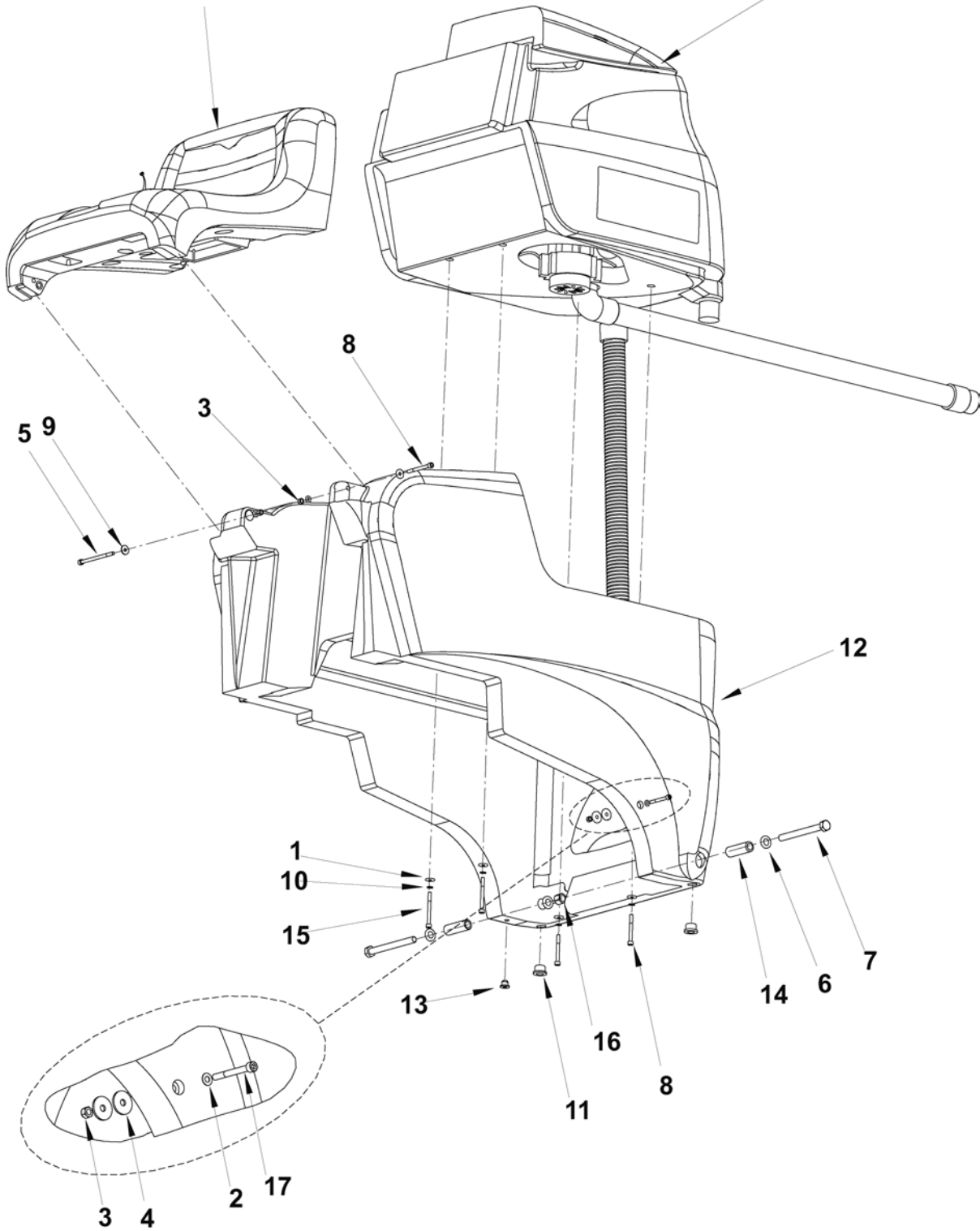
2005-10	VISTA GENERALE / GENERAL VIEW	BOOK E		
2006-10	BR 601 / 651 / 751 - 751C / EDS	E	17.3.1	3

Pos Item Bild Rép	Codice Ref. No. Art. Nr. Réf. No	Q.tà Qty Menge Qté	Descrizione	Description	Beschreibung	Désignation
1	145 1129 000	6	RONDELLA E. CURVA 16X6	WASHER 16X6	BEILAGSCHEIBE	RONDELLE
2	145 1894 000	6	VITE TSPEI M6X30	SCREW M6X30	SCHRAUBE	VIS
3		1	GRUPPO TERGITORE BR601-BR651	SQUEEGEE SYSTEM BR601- BR651	SAUGDUESEN SYSTEM BR601-BR651	SYSTEME D'EMBOUCHURE BR601-BR651
4	909 5903 000	1	PORTELLO LATERALE DX	HATCH RIGHT	KLAPPE RECHT	TRAPPE DROITE
5	909 5904 000	1	PORTELLO LATERALE SX	HATCH LEFT	KLAPPE LINKS	TRAPPE GAUCHE
6		1	GRUPPO SPAZZOLE A DISCO 600	BRUSHES SYSTEM 600	BUERSTEN SYSTEM 600	SYSTEME DE BROSSES 600
6		1	GRUPPO SPAZZOLE A DISCO 650	BRUSHES SYSTEM 650	BUERSTEN SYSTEM 650	SYSTEME DE BROSSES 650
6		1	GRUPPO SPAZZOLE A DISCO 750	BRUSHES SYSTEM 750	BUERSTEN SYSTEM 750	SYSTEME DE BROSSES 750
7		1	GRUPPO RUOTA ANTERIORE	FRONT WHEEL ASSEMBLY	VORNE RAD SATZ	GROUPE ROUE AVANT
8		1	GRUPPO ELETTROVALVOLA	SOLUTION SYSTEM	WASSERZUFUEHRUNG	CIRCUIT DE SOLUTION
9		1	GRUPPO SUPPORTO TERGITORE	SQUEEGEE SUPPORT SYSTEM	HALTER SYSTEM, SAUGDUESEN	SYSTEME DE SUPPORT DE L'EMBOUCHURE
10		1	GRUPPO TERGITORE BR751	SQUEEGEE SYSTEM BR751	SAUGDUESEN SYSTEM BR751	SYSTEME D'EMBOUCHURE BR751
11		1	GRUPPO SOLLEVAMENTO TESTATA	BRUSH DECK LIFTING SYSTEM	ERHEBUNG SYSTEM, BUERSTEN	SYSTEME RELEVAGE BROSSES
12		1	GRUPPO STERZO	STEERING SYSTEM	LENKUNG SATZ	GROUPE COLONNE DE DIRECTION
13		1	GRUPPO SPAZZOLE CILINDRICHE 750C	CYLINDRICAL BRUSHES SYSTEM 750C	ZYL. BUERSTEN SYSTEM 750C	SYSTEME DE BROSSES CYLINDRIQUES 750C
14		1	GRUPPO TELAIO	CHASSIS ASSEMBLY	CHASSIS SYSTEM	GROUPE CHASSIS
15		1	GRUPPO SERBATOI	TANKS ASSEMBLY	TANKS SYSTEM	GROUPE RESERVOIRS
16	909 6068 000	1	CONTENITORE BATTERIE	BATTERY CONTAINER	BATTERIE BEHAELTER	BAC BATTERIE
17		1	GRUPPO PEDANA	FOOTBOARD ASSEMBLY	TRITTBRETT SATZ	GROUPE MARCHEPIED
18A	909 6158 000	1	CONTENITORE CAVO CARICABATTERIA	BOX FOR BATTERY CHARGER CABLE	KABEL BEHAELTER	CONTENEUR POUR LE CABLE DU CHARGEUR
19A	146 0765 000	2	VITE TSPEI 6X10	SCREW 6X10	SCHRAUBE	VIS

A: SOLO PER VERSIONE CON CARICABATTERIA A BORDO - ONLY FOR VERSION WITH BATTERY CHARGER ON-BOARD

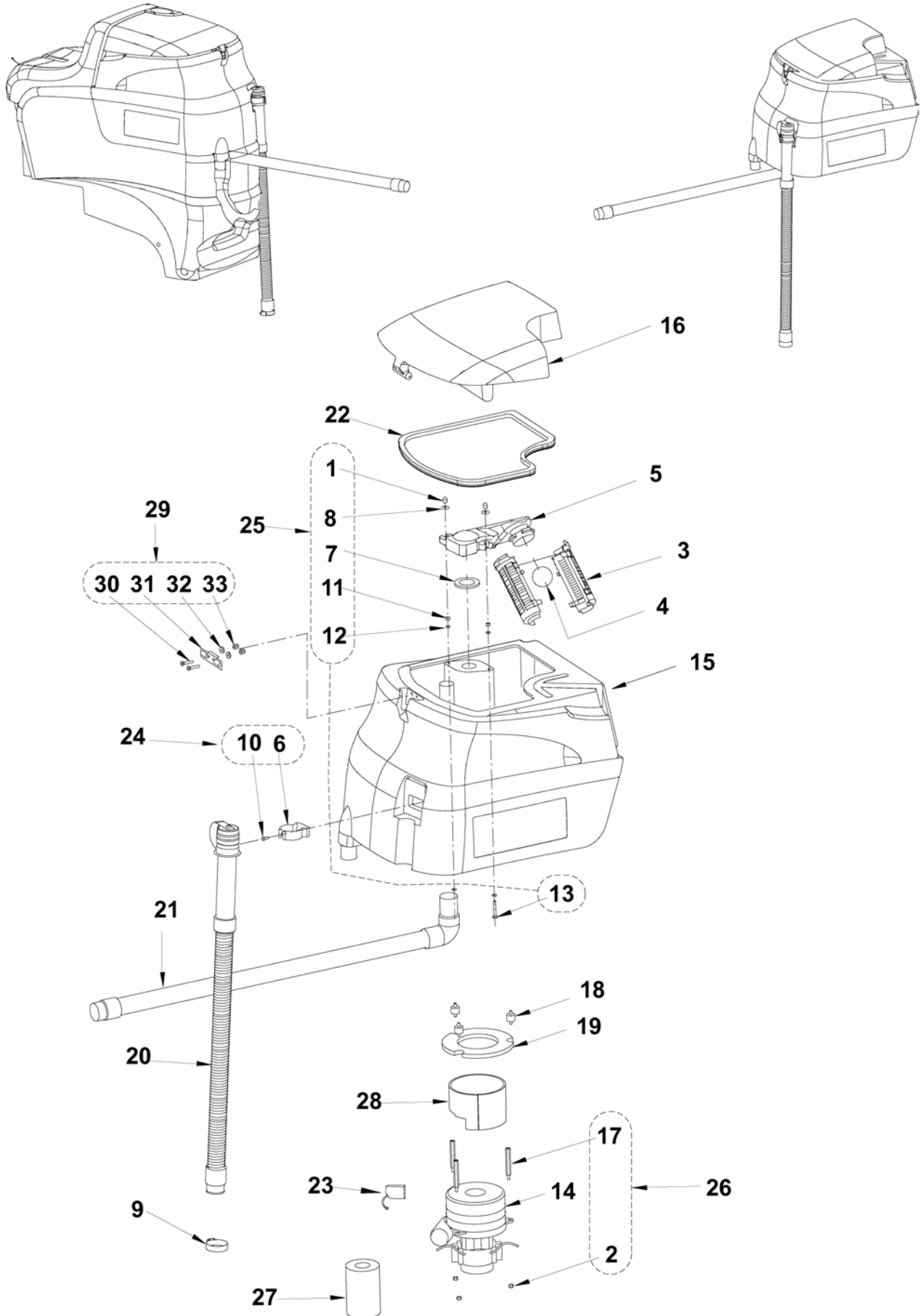
VEDI GRUPPO SEDILE
SEE SEAT ASSEMBLY

VEDI SERBATOIO ACQUA SPORCA
SEE DIRTY WATER TANK



2005-10	GRUPPO SERBATOI / TANK ASSEMBLIES	BOOK E		
2007-10	BR 601 / 651 / 751 - 751C / EDS	E	17.3.1	5

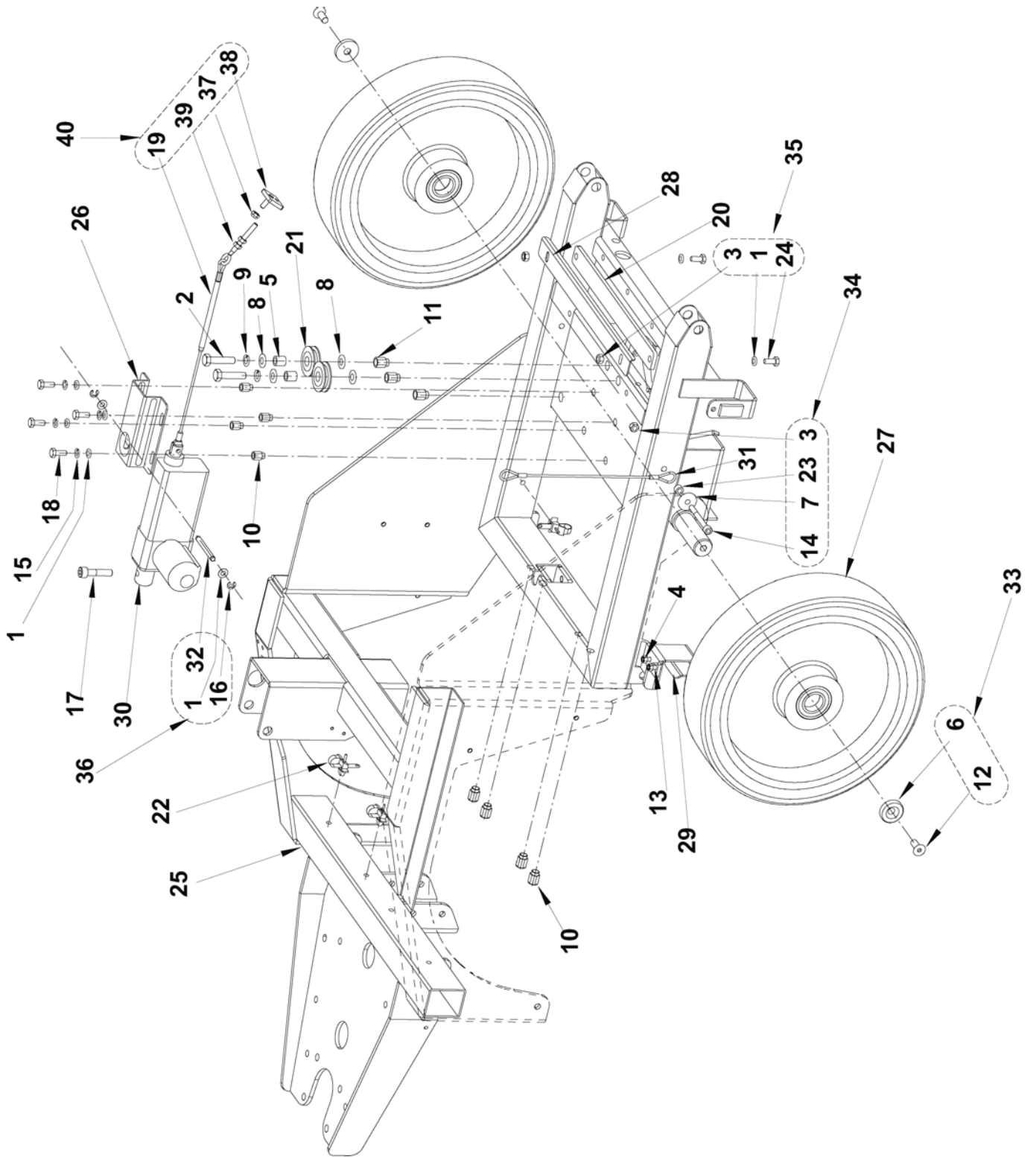
Pos Item Bild Rép	Codice Ref. No. Art. Nr. Réf. No	Q.tà Qty Menge Qté	Descrizione	Description	Beschreibung	Désignation
1	xxxxxxxxxx	6	RONDELLA PIANA 6X18	WASHER FLAT 6X18	BEILAGSCHEIBE	RONDELLE
2#	xxxxxxxxxx	1	ROND PIANA M6 INOX	WASHER M6 UNI6592	BEILAGSCHEIBE	RONDELLE
3	xxxxxxxxxx	4	DADO ES. BASSO M6 AUTOBL. INOX	NUT HEX LOW M6 SELFLOCK. SS	MUTTER	ECROU
4	xxxxxxxxxx	2	RONDELLA PIANA 6X24 INOX	WASHER FLAT 6X24 SS	BEILAGSCHEIBE	RONDELLE
5	xxxxxxxxxx	1	VITE TCEI M6X95	SCREW M6X95	SCHRAUBE	VIS
6	xxxxxxxxxx	4	RONDELLA PIANA 12X24 INOX	WASHER FLAT 12X24 SS	BEILAGSCHEIBE	RONDELLE
7	xxxxxxxxxx	2	VITE M12X130	SCREW M12X130	SCHRAUBE	VIS
8	xxxxxxxxxx	3	VITE TCEI M6X65	SCREW M6X65	SCHRAUBE	VIS
9#	xxxxxxxxxx	2	ROND PIANA M6	WASHER M6 UNI6592	BEILAGSCHEIBE	RONDELLE
10#	xxxxxxxxxx	4	ROND GROWER M6	WASHER M6 UNI1751B	BEILAGSCHEIBE	RONDELLE
11	xxxxxxxxxx	2	GUARNIZIONE PER RACCORDO Ø 10	GASKET	DICHTUNG	JOINT
12	909 5900 000	1	SERBATOIO ACQUA PULITA	FRESH WATER TANK	FRISCHWASSERTANK	RESERVOIR SOLUTION
13	xxxxxxxxxx	1	PASSACAVO	CABLE GUIDE	KABELFUEHRUNG	GUIDE CABLE
14	xxxxxxxxxx	2	DISTANZIALE	SPACER	ABSTANDSTUECK	ENTRETOISE
15#	xxxxxxxxxx	2	VITE TCEI M6X70	SCREW M6X70 UNI5931	SCHRAUBE	VIS
16	xxxxxxxxxx	2	DADO ES. M12 AUTOBL.	NUT HEX M12 SELFLOCK.	MUTTER	ECROU
17#	xxxxxxxxxx	2	VITE TCEI M6X45	SCREW M6X45 UNI5931	SCHRAUBE	VIS
0	909 6401 000	1	KIT VITERIA (1,2,3,4,5, 6,7,8,9,10,11,13,14, 15,16,17)	HARDWARE KIT TANKS ASSY (1,2,3,4,5,6,7,8,9,10,11, 13,14,15,16,17)	SCHRAUBEN SATZ (1,2,3,4,5 ,6,7,8,9,10,11,13,14,15,16,17)	KIT VIS (1,2,3,4,5,6,7,8,9,10,1 1,13,14,15,16,17)



2005-10	SERBATOIO ACQUA SPORCA / DIRTY WATER TANK	BOOK E		
2007-10	BR 601 / 651 / 751 - 751C / EDS	E	17.3.1	7

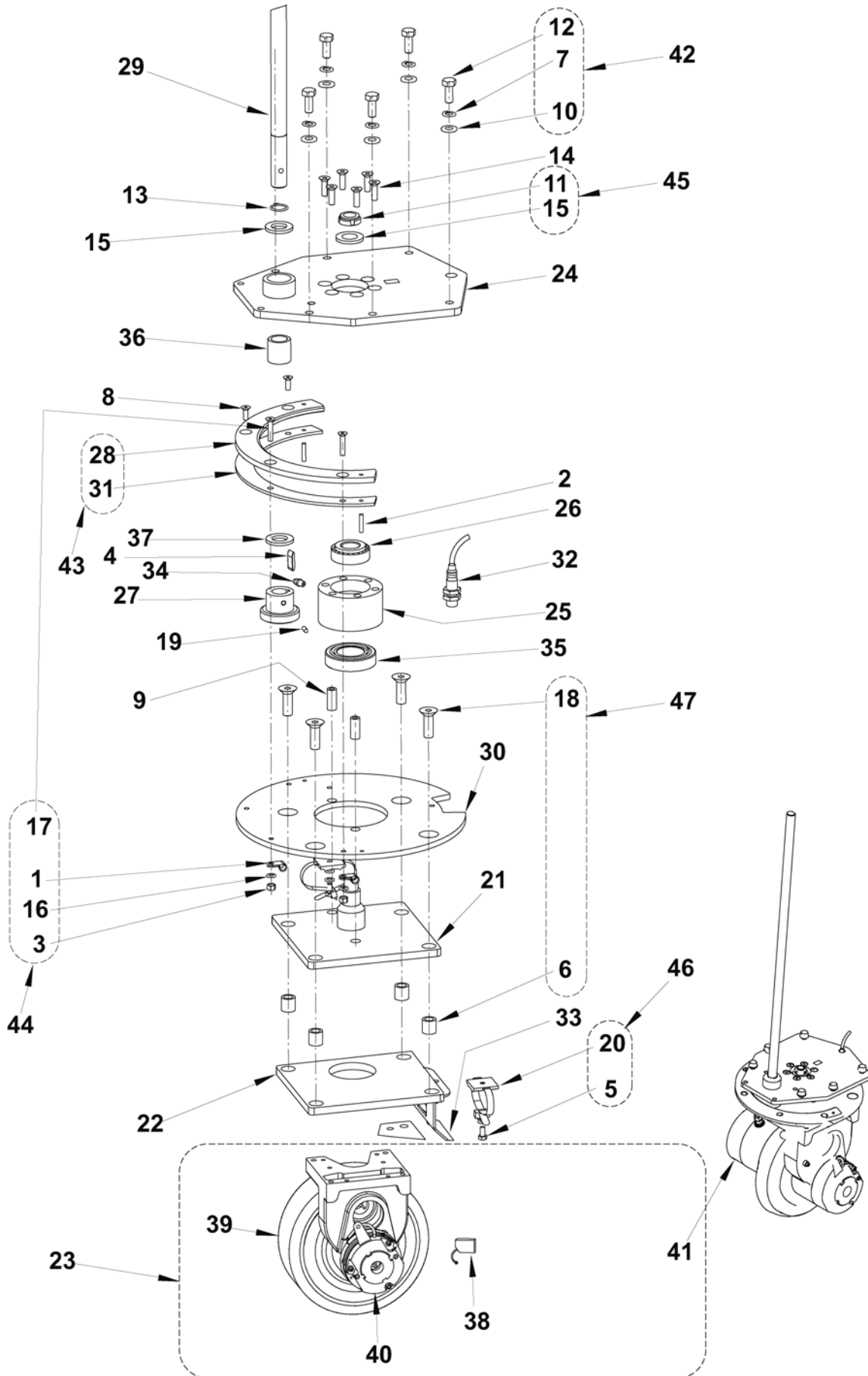
Pos Item Bild Rép	Codice Ref. No. Art. Nr. Réf. No	Q.tà Qty Menge Qté	Descrizione	Description	Beschreibung	Désignation
1	xxxxxxxxxx	2	DADO CIECO M6	NUT CAP M6	MUTTER	ECROU
2#	xxxxxxxxxx	3	DADO AUTOB BASSO M6	NUT SELF L. M6 UNI7474	MUTTER	ECROU
3#	L08812259	2	CONTENITORE GALLEGGIANTE	CAGE, FLOAT	SCHWIMMER	CAGE DE FLOTTEUR
4#	L08812373	1	GALLEGGIANTE	FLOATING BALL	BALL	FLOTTEUR
5#	L08812926	1	PORTA GALLEGGIANTE	HOLDER, FLOAT CAGE	SCHWIMMER HALTER	SUPPORT FLOTTEUR
6	xxxxxxxxxx	1	FASCETTA FERMATUBO Ø 50	HOSE CLAMP	SHELLE	COLLIER
7	xxxxxxxxxx	1	GUARNIZIONE ADESIVA NERA	GASKET	DICHTUNG	JOINT
8#	xxxxxxxxxx	2	ROND GREMB 6X18X1,5 INOX	WASHER 6X18X1,5 UNI6593	BEILAGSCHEIBE	RONDELLE
9	145 0543 000	1	FASCETTA FERMATUBO 14/32-52	HOSE CLAMP 14/32-52	SHELLE	COLLIER
10#	xxxxxxxxxx	1	VITE TCEI M5X12 INOX	SCREW M5X12 UNI5931	SCHRAUBE	VIS
11	xxxxxxxxxx	2	DADO E. M 6 INOX	NUT M6 SS	MUTTER	ECROU
12#	xxxxxxxxxx	4	ROND PIANA M6 INOX	WASHER M6 UNI6592	BEILAGSCHEIBE	RONDELLE
13	xxxxxxxxxx	2	VITE TE M6X40 INOX	SCREW HEX. HD M6X40 SS	SCHRAUBE	VIS
14	909 5196 000	1	MOTORE ASPIRATORE 24V 500 W	VACUUM MOTOR 24V 500W	SAUGMOTOR	MOTEUR ASPIRATION
15	909 5901 000	1	SERBATOIO ACQUA SPORCA	RECOVERY TANK	SCHMUTWASSER TANK	RESERVOIR
16	909 5902 000	1	COPERCHIO SERBATOIO	TANK COVER	TANKDECKEL	COUVERCLE RESERVOIR
17	xxxxxxxxxx	3	DISTANZIALE E. M6 H70 FILETTATO	SPACER HEX M6 H70	ABSTANDSTUECK	ENTRETOISE
18	909 6094 000	3	ANTIVIBRANTE CILINDRICO M6	VIBRATION DAMPING	SCWINGUNGSDAEMPFER	TAMPON
19	909 6095 000	1	GUARNIZIONE MOTORE ASPIRAZIONE	GASKET	DICHTUNG	COLLIER
20	909 6096 000	1	TUBO ACQUA SPORCA	DRAIN HOSE	SCHMUTZ WASSERSCHLAUCH	TUYAU
21	909 6097 000	1	TUBO ASPIRAZIONE	VACUUM HOSE	SAUGSCHLAUCH	TUYAU
22	146 0629 000	1	GUARNIZIONE 1310MM	GASKET	DICHTUNG	JOINT
23	909 5371 000	2	CARBONCINO	CARBON BRUSH	KOHLLENBUERSTE	CHARBON
24	909 6380 000	1	KIT FASCETTA (6,10)	HOSE CLAMP KIT (6,10)	SHELLE SATZ (6,10)	COLLIER KIT (6,10)
25	909 6381 000	1	KIT FISSAGGIO PORTA GALLEGGIANTE	FLOAT CAGE FITTING KIT (1,7,8,11,12,13)	SCHWIMMER HALTER FIXIERUNG SATZ (1,7,8,11,12,13)	KIT FIXAGE GACE DU FLOTTEUR (1,7,8,11,12,13)
26	909 6382 000	1	KIT VITERIA (2,17)	DIRTY WATER TANK HARDWARE KIT (2,17)	SCHRAUBEN SATZ (2,17)	KIT VIS (2,17)
27A	909 6442 000	1	TUBO FONOASSORBENTE	ACOUSTIC INSULATION HOSE	MUFFE	ISOLANT ANTIBRUIT
28A	909 6569 000	1	FONOASSORBENTE	ACOUSTIC INSULATION	MUFFE	ISOLANT ANTIBRUIT
29	909 6810 000	1	KIT FERMO COPERCHIO SERBATOIO (30,31,32,33)	COVER TANK STOPPER KIT (30,31,32,33)	ZUSATZ PLATTE FÜR TANKDECKEL (30,31,32,33)	KIT PLAQUE POUR COUVERCLE RESERVOIR (30,31,32,33)
30#	xxxxxxxxxx	2	VITE TPSEI TF M3X20 INOX	SCREW M3X20 UNI5933	SCHRAUBE	VIS
31#	xxxxxxxxxx	1	PIASTRA COPERCHIO SERB.	BRACKET COVER TANK BLOCK	PLATTE	PLAQUE
32#	xxxxxxxxxx	2	ROND PIANA 3X12 INOX	WASHER 3X12 UNI6592	BEILAGSCHEIBE	RONDELLE
33#	xxxxxxxxxx	2	DADO AUTOB M3 INOX	NUT SELF L. M3 UNI7473	MUTTER	ECROU
0	909 6812 000	1	ISTRUZIONI DI MONTAGGIO PER KIT FERMO COPERCHIO SERBATOIO	INSTALLATION INSTRUCTIONS FOR COVER TANK STOPPER KIT	MONTAGE ANGEBEN	INSTRUCTION DE MONTAGE
0	909 6128 000	1	FERMACAVO ADESIVO	CLAMP	VERBINDUNGSBRUECKE	BRIDE

A: ON MACHINES WITH SERIAL NUMBER STARTING FROM **060803403**



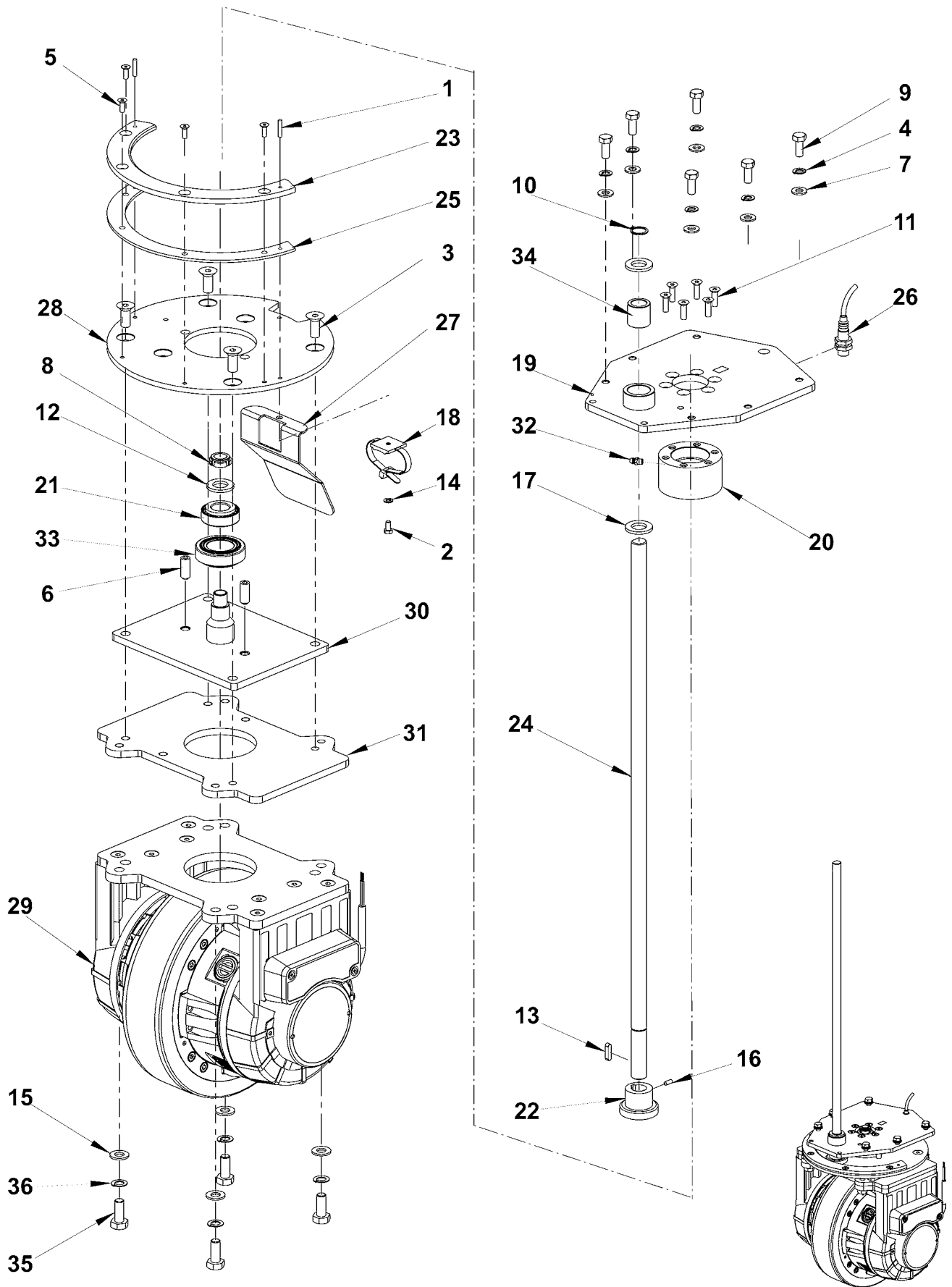
2005-10	GRUPPO TELAIO / CHASSIS SYSTEM	BOOK E		
2007-10	BR 601 / 651 / 751 - 751C / EDS	E	17.3.1	9

Pos Item Bild Rép	Codice Ref. No. Art. Nr. Réf. No	Q.tà Qty Menge Qté	Descrizione	Description	Beschreibung	Désignation
1#	xxxxxxxxxx	8	ROND PIANA M6 INOX	WASHER M6 UNI6592	BEILAGSCHEIBE	RONDELLE
2	xxxxxxxxxx	2	VITE TE M8X35 INOX	SCREW HEX HD M8X35 SS	SCHRAUBE	VIS
3	xxxxxxxxxx	3	DADO AUTOB BASSO M6 INOX	NUT SELF L. M6 UNI7474	MUTTER M6	ECROU M6
4#	L08603688	2	DADO E. BASSO AUTOBLOCC. M5 INOX	NUT HEX. LOW SELF LOCK. M5 SS	MUTTER M5	ECROU M5
5	xxxxxxxxxx	2	DISTANZIALE Ø 8X12X12.5	BUSHING Ø 8X12X12.5	ABSTANDSTUECK	ENTRETOISE
6	xxxxxxxxxx	2	DISTANZIALE	BUSHING	ABSTANDSTUECK	ENTRETOISE
7	xxxxxxxxxx	1	RONDELLA PIANA 6X24 INOX	WASHER FLAT 6X24 SS	BEILAGSCHEIBE 6X24	RONDELLE 6X24
8#	xxxxxxxxxx	4	ROND PIANA M8	WASHER M8 UNI6592	BEILAGSCHEIBE	RONDELLE
9#	xxxxxxxxxx	2	ROND GROWER M8	WASHER M8 UNI1751B	BEILAGSCHEIBE	RONDELLE
10	145 4772 000	8	INSERTO ESAGONALE M6	INSERT HEX. M6	ABSTANDROHR	INSERT
11	145 4773 000	3	INSERTO ESAGONALE M8	INSERT HEX. M8	ABSTANDROHR	INSERT
12#	xxxxxxxxxx	2	VITE TPSEI TF M8X20	SCREW M8X20 UNI5933	SCHRAUBE	VIS
13	145 8282 000	2	VITE TE M5X12 INOX	SCREW HEX HD M5X12 SS	SCHRAUBE	VIS
14#	xxxxxxxxxx	1	VITE TCEI M6X5	SCREW M6X55 UNI5931	SCHRAUBE	VIS
15#	xxxxxxxxxx	4	ROND GROWER M6	WASHER M6 UNI1751B	BEILAGSCHEIBE	RONDELLE
16	xxxxxxxxxx	2	SEEGER	RETAINING RING	SICHERUNGSRING	CIRCLIPS
17	33004368	1	VITE TCEI M8X35	SCREW M8X35	SCHRAUBE	VIS
18	xxxxxxxxxx	4	VITE TE M6X16 INOX	SCREW HEX HD M6X16 SS	SCHRAUBE	VIS
19	xxxxxxxxxx	1	CAVO SOLLEVAMENTO TERGITORE	SQUEEGEE LIFTING CALBLE	KABEL	CABLE ENLEVEMENT EMBOUCH.
20	909 6240 000	1	PIATTINA SPESSORE	PLATE	PLATTE	PLAQUE
21	145 2612 000	2	CARRUCOLA	PULLEY	SCHEIBE	POULIE
22	146 0987 000	4	FASCETTA AD INCASTRO	CLAMP	SHELLE	COLLIER
23	xxxxxxxxxx	1	DISTANZIALE	SPACER	ABSTANDSTUECK	ENTRETOISE
24	xxxxxxxxxx	2	VITE TE M6X20 INOX	SCREW HEX HD M6X20 SS	SCHRAUBE	VIS
25	909 6065 000	1	TELAIO	CHASSIS	CHASSIS	CHASSIS
26	909 6066 000	1	PROTEZIONE ATTUATORE	ACTUATOR PROTECTION	SCHUTZ	PROTECTION VERRIN
27	909 6895 000	2	RUOTA POSTERIORE Ø 300X70	REAR WHEEL Ø 300X70	RAD HINTEN	ROUE ARRIER
28	909 6069 000	1	LASTRA ANTIABRASIONE CAVO TERGITORE	BAR PROTECTION CABLE	LEISTE	BARRE
29	909 6070 000	1	STAFFA TUBO DI SCARICO	DRAIN HOSE BRACKET	STANGE	SUPPOR TUYAU
30	909 6715 000	1	ATTUATORE 24V	JACK MOTOR 24V	AKTUATOR	VERRIN
31	909 6151 000	1	CAVO APERTURA SERBATOIO	TANK CABLE	KABEL	CABLE
32	xxxxxxxxxx	1	PERNO ATTUATORE	PIN	STIFT	AXE
33	909 6364 000	1	KIT FISSAGGIO RUOTE (6,12)	REAR WHEELS FITTING KIT (6,12)	RAD FIXIERUNG SATZ (6,12)	KIT FIXAGE ROUES (6,12)
34	909 6365 000	1	KIT FISSAGGIO CAVO APERTURA SERBATOIO (3,7,14,23)	KIT TANK CABLE (3,7,14,23)	KABEL SATZ (3,7,14,23)	KIT CABLE (3,7,14,23)
35	909 6366 000	1	KIT FISSAGGIO LASTRA ANTIBRASIONE (1,3,24)	BAR PROTECTION FITTING KIT (1,3,24)	LEISTE FIXIERUNG SATZ (1,3,24)	KIT FIXAGE BARRE (1,3,24)
36	909 6367 000	1	KIT FISSAGGIO PERNO ATTUATORE (1,16,32)	ACTUATOR'S PIN FITTING KIT (1,16,32)	AKTUATOR FIXIERUNG SATZ (1,16,32)	KIT FIXAGE AXE DU VERRIN (1,16,32)
37	xxxxxxxxxx	1	DADO E. BASSO AUTOBLOCCANTE M6	NUT HEX LOW SELFLOCK M6	MUTTER	ECROU
38	xxxxxxxxxx	1	ADATTATORE CAVO TERGITORE	SQUEEGEE CABLE ADAPTER	ADAPTER - KABEL	ADAPTATEUR
39	xxxxxxxxxx	2	DADO E. M6 INOX	NUT HEX. M6 SS	MUTTER	ECROU
40	909 6718 000	1	KIT CAVO TERGITORE (19,37,38,39)	SQUEEGEE CABLE KIT (19,37,38,39)	ZUSATZSAUGDUESEN KABEL (19,37,38,39)	KIT CABLE EMBOUCHURE (19,37,38,39)
0	909 6719 000	1	ISTRUZIONI DI MONTAGGIO KIT CAVO TERGITORE	INSTALLATION INSTRUCTIONS FOR SQUEEGEE CABLE KIT	MONTAGE ANGABEN F ZUSATZSAUGDUESEN KABEL	INSTRUCTION POUR LE MONTAGE KIT CABLE EMBOUCHURE
0	909 6368 000	1	KIT VITERIA (1,2,5,8,9,15,18)	CHASSIS HARDWARE KIT (1,2,5,8,9,15,18)	SCHRAUBEN SATZ (1,2,5,8,9,15,18)	KIT VIS (1,2,5,8,9,15,18)



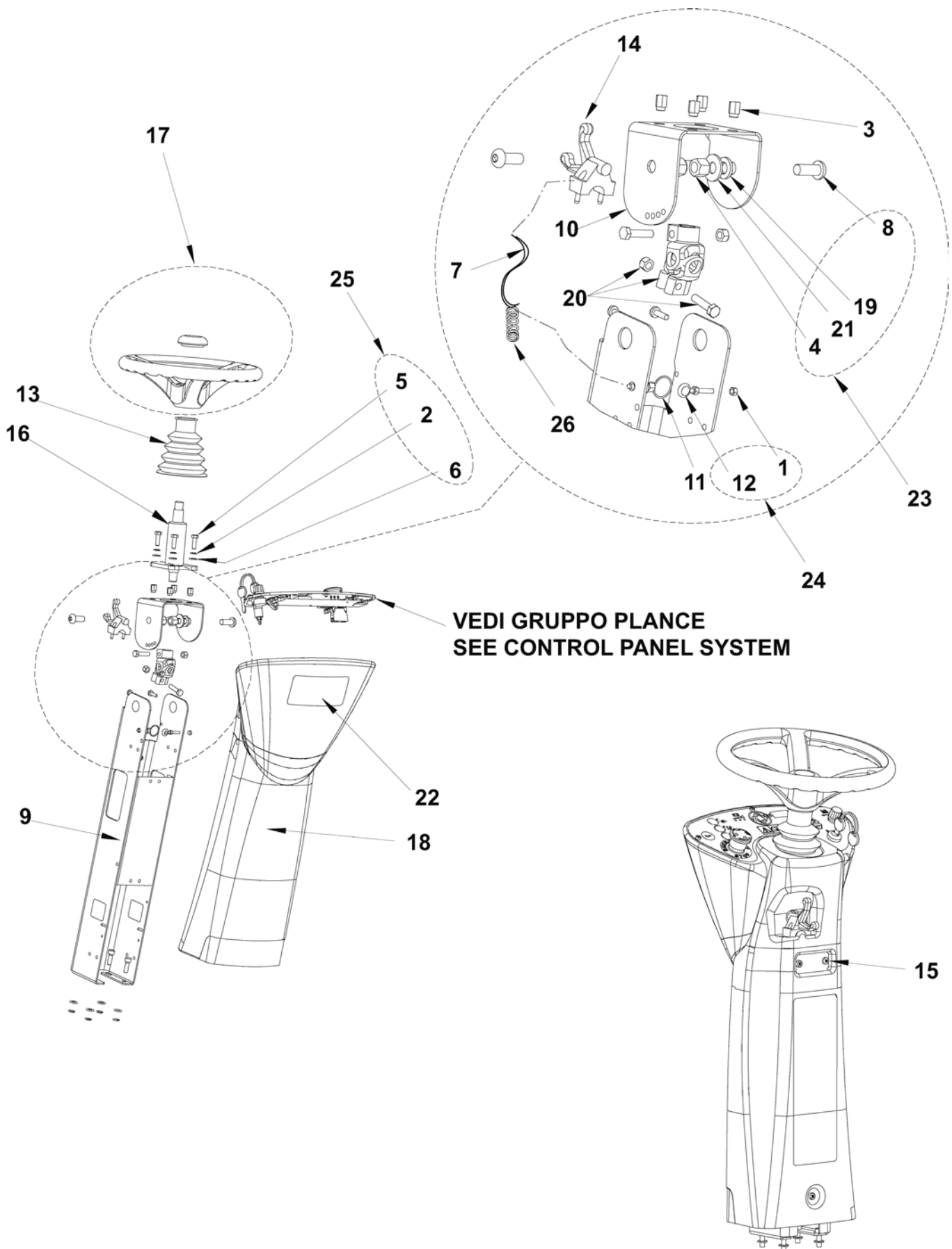
2005-10	GRUPPO RUOTA ANT. / FRONT WHEEL ASSEMBLY	BOOK E		
2007-10	BR 601 / 651 / 751 - 751C / EDS (BEFORE JANUARY 2007)	E	17.3.1	11

Pos Item Bild Rép	Codice Ref. No. Art. Nr. Réf. No	Q.tà Qty Menge Qté	Descrizione	Description	Beschreibung	Désignation
1	xxxxxxxxxx	2	FASCETTA STRINGICAVO	CABLE CLAMP	KLEMME	COLLIER
2#	L08600669	2	SPINA 4X20	PIN 4X20	ZAPFEN	GOUPILLE
3	xxxxxxxxxx	2	DADO E. BASSO AUTOBLOCC. M5	NUT HEX. LOW SELFLOCK. M5	MUTTER M5	ECROU M5
4	145 9774 000	1	CHIAVETTA 5X5X20	KEY 5X5X20	KEILNUT	CLAVETTE
5#	xxxxxxxxxx	2	VITE TE TF M5X10	SCREW M5X10 UNI5739	SCHRAUBE	VIS
6	xxxxxxxxxx	4	DISTANZIALE	BUSHING	ABSTANDSTUECK	ENTRETOISE
7#	xxxxxxxxxx	6	ROND GROWER M8	WASHER M8 UNI1751B	BEILAGSCHEIBE	RONDELLE
8	33004562	2	VITE TSPEI M5X14	SCREW M5X14	SCHRAUBE	VIS
9	145 5919 000	2	GRANO M10X25	DOWEL M10X25	DUEBEL	GOUPILLE
10#	xxxxxxxxxx	6	ROND PIANA M8	WASHER M8 UNI6592	BEILAGSCHEIBE	RONDELLE
11	xxxxxxxxxx	1	GHIERA M15	RING NUT	RING	ECROU
12#	xxxxxxxxxx	6	VITE TE TF M8X20	SCREW M8X20 UNI5739	SCHRAUBE	VIS
13	33006056	1	SEEGER E 17	RETAINING RING	SICHERUNGSRING	CIRCLIPS
14	33004578	6	VITE TSPEI M6X20	SCREW M6X20	SCHRAUBE	VIS
15#	xxxxxxxxxx	2	ROND PIANA M16	WASHER M16 UNI6592	BEILAGSCHEIBE	RONDELLE
16	xxxxxxxxxx	5	RONDELLA PIANA 5X10	WASHER FLAT 5X10	BEILAGSCHEIBE 5X10	RONDELLE 5X10
17	xxxxxxxxxx	2	VITE TSPEI M5X25	SCREW M5X25	SCHRAUBE	VIS
18#	xxxxxxxxxx	4	VITE TPSEI TF M10X35	SCREW M10X35 UNI5933	SCHRAUBE	VIS
19	146 1533 000	1	GRANO M5X10	DOWEL M5X10	DUEBEL	GOUPILLE
20	xxxxxxxxxx	2	FASCETTA	CLAMP	KLEMME	COLLIER
21	909 5937 000	1	SUPPORTO STERZO	STEERING SUPPORT	HALTER	SUPPORT
22	909 5938 000	1	ANTIVIBRANTE	VIBRATION DAMPING	SCHWINGUNGSDAEMPFER	SILENT BLOC
23	909 5939 000	1	MOTORUOTA 600W 24V	WHEEL DRIVE 600W 24V	MOTORRAD	ROUE
24	909 5940 000	1	PIASTRA SUPPORTO STERZO	STEERING SUPPORT PLATE	PLATTE	PLAQUE
25	909 5941 000	1	SUPPORTO CUSCINETTO	BALL BEARING SUPPORT	HALTER	SUPPORT
26	909 5942 000	1	CUSCINETTO	BALL BEARING	LAGER	ROULEMENT
27	909 5943 000	1	PIGNONE STERZO	STEERING PINION	RITZEL	PIGNON
28	xxxxxxxxxx	1	CORONA STERZO	CROWN	KRANZ	COURONNE
29	909 5945 000	1	ALBERO STERZO	STEERING SHAFT	WELLE	ARBRE
30	909 5946 000	1	SUPPORTO INGRANAGGI	SUPPORT	HALTER	SUPPORT
31	xxxxxxxxxx	1	DISTANZIALE CORONA STERZO	STEERING CROWN SPACER	ABSTANDSTUECK	ENTRETOISE
32	909 6317 000	1	KIT SENSORE DI STERZATA	SENSOR KIT	SENSOR SATZ	KIT SENSEUR
33	909 6221 000	1	PROTEZIONE CABLAGGIO	BRACKET WIRE PROTECTION	SCHUTZ	PROTECTION
34	145 2330 000	1	INGRASSATORE M6	GREASER	SCHMIERER	GRAISSEUR
35	145 4691 000	1	CUSCINETTO	BALL BEARING	LAGER	ROULEMENT
36	145 9505 000	1	BOCCOLA	BUSHING	BUCHSE	BAGUE
37	146 2873 000	1	RONDELLA PIANA 16X30 NYLON	WASHER FLAT 16X30 NYLON	BEILAGSCHEIBE	RONDELLE
38	909 6324 000	1	KIT CARBONCINI (4 PZ)	CARBON BRUSH KIT (4PCS)	KOHLNBUERSTE SATZ	CHARBON KIT
39	909 6323 000	1	GOMMA RUOTA	TYRE WHEEL	GUMMI - RAD	GOMME POUR LA ROUE
40	909 6326 000	1	ELETTROFRENO	ELECTROMAGNETIC BRAKE	ELEKTROBREMSE	FREIN ÉLECTROMAGNÉTIQUE
41	909 6325 000	1	MOTORE 600W 24 V	MOTOR 600W 24V	MOTOR 600W 24V	MOTEUR 600W 24V
42	909 6370 000	1	KIT FISSAGGIO PIASTRA (7,10,12)	FITTING PLATE KIT (7,10,12)	PLATTE FIXIERUNG SATZ (7,10,12)	KIT FIXAGE PLAQUE (7,10,12)
43	909 6371 000	1	KIT CORONA (28,31)	CROWN KIT (28,31)	KRANZ SATZ (28,31)	KIT COURONNE (28,31)
44	909 6372 000	1	KIT FISSAGGIO FASCETTE STRINGICAVO (1,3,16,17)	CABLE CLAMPS FITTING KIT (1,3,16,17)	KLEMME FIXIERUNG SATZ (1,3,16,17)	KIT FIXAGE COLLIERS (1,3,16,17)
45	909 6373 000	1	KIT GHIERA (11,15)	RING NUT KIT (11,15)	RING SATZ (11,15)	KIT ECROU (11,15)
46	909 6374 000	1	KIT FASCETTA (5,20)	CLAMP KIT (5,20)	KLEMME SATZ (5,20)	COLLIER KIT (5,20)
47	909 6375 000	1	KIT VITERIA (6,18)	FRONT WHEEL ASSY HARDWARE KIT (6,18)	SCHRAUBEN SATZ (6,18)	KIT VIS (6,18)



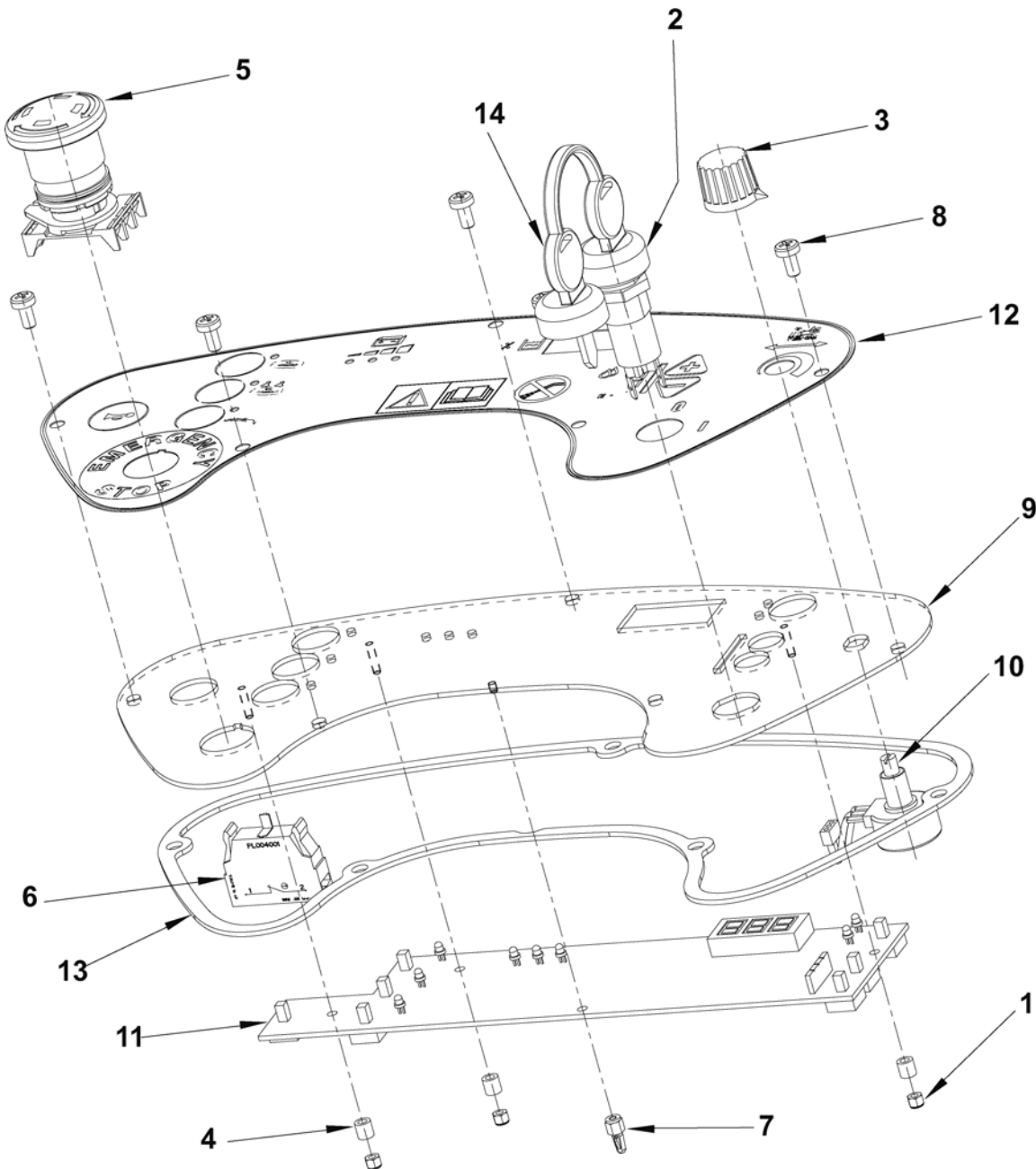
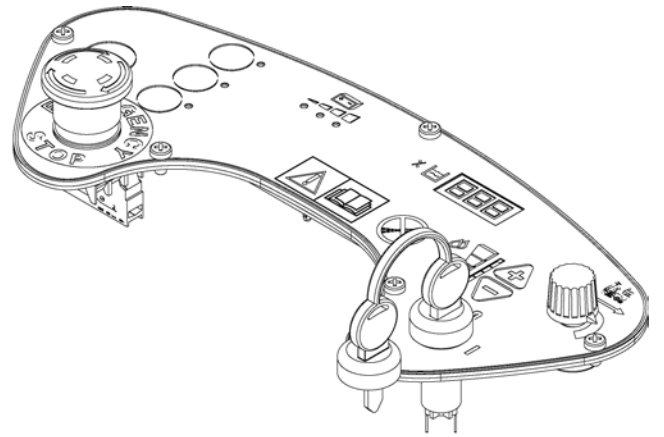
2005-10	GRUPPO RUOTA ANT. / FRONT WHEEL ASSEMBLY	BOOK E		
2007-10	BR 601 / 651 / 751 - 751C / EDS (AFTER JANUARY 2007)	E	17.3.1	13

Pos Item Bild Rép	Codice Ref. No. Art. Nr. Réf. No	Q.tà Qty Menge Qté	Descrizione	Description	Beschreibung	Désignation
1#	L08600669	2	SPINA ELASTICA	SPLIT PIN	SPLINT	GOUPILLE
2	33003959	1	VITE TE M5X10	SCREW HEX HD M5X10	SCHRAUBE	VIS
3	33004605	4	VITE TSPEI M10X25	SREW HEX THD TO HD M5X10	SCHRAUBE	VIS
4	33005842	6	RONDELLA E. SPACCATA 8	WASHER SPLIT 8	BEILAGSCHEIBE	RONDELLE
5	33004562	4	VITE M5X14	SCREW M5X14	SCHRAUBE	VIS
6	145 5919 000	2	GRANO M10X25	DOWEL M10X25	DUEBEL	GOUPILLE
7	33005915	6	RONDELLA PIANA 8X17	WASHER FLAT 8X17	BEILAGSCHEIBE 8X17	RONDELLE 8X17
8	145 9157 000	1	GHIERA M15	RING NUT	RING	ECROU
9	33005444	6	VITE TE 8X20	SCREW HEX HD 8X20	SCHRAUBE	VIS
10	33006056	1	SEEGER	RETAINING RING	SICHERUNGSRING	CIRCLIPS
11	33004578	6	VITE TSPEI M6X20	SCREW M6X20	SCHARUBE	VIS
12	33005919	2	RONDELLA PIANA	WASHER FLAT	BEILAGSCHEIBE	RONDELLE
13	145 9774 000	1	CHIAVETTA	KEY	KEILNUT	CLAVETTE
14	145 9955 000	1	RONDELLA PIANA 5X10 INOX	WASHER FLAT 5X10 SS	BEILAGSCHEIBE 5X10 STAHL	RONDELLE 5X10 ACCIER
15	145 9966 000	4	RONDELLA PIANA 10X21X2 INOX	WASHER FLAT 10X21X2 SS	BEILAGSCHEIBE	RONDELLE
16	146 1533 000	1	GRANO	DOWEL	DUEBEL	GOUPILLE
17	146 2873 000	1	RONDELLA PIANA 16X30 NYLON	WASHER FLAT 16X30 NYLON	BEILAGSCHEIBE	RONDELLE
18	909 5606 000	1	FASCETTA	CLAMP	SHELLE	COLLIER
19	909 5940 000	1	PIASTRA SUPPORTO STERZO	STEERING SUPPORT PLATE	PLATTE	PLAQUE
20	909 5941 000	1	SUPPORTO CUSCINETTO	BALL BEARING SUPPORT	HALTER	SUPPORT
21	909 5942 000	1	CUSCINETTO	BALL BEARING	LAGER	ROULEMENT
22	909 5943 000	1	PIGNONE STERZO	STEERING PINION	RITZEL	PIGNON
23	909 5944 000	1	CORONA STERZO	CROWN	KRANZ	COURONNE
24	909 5945 000	1	ALBERO STERZO	STEERING SHAFT	WELLE	ARBRE
25	909 5947 000	1	DISTANZIALE CORONA STERZO	SPACER	ABSTANDSTUECK	ENTRETOISE
26	909 6121 000	1	SENSORE PROSSIMITA'	SENSOR	KOPF	SENSEUR
27	909 6221 000	1	PROTEZIONE CABLAGGIO	BRACKET WIRE PROTECTION	SCHUTZ	PROTECTION
28	9096930000	1	SUPPORTO INGRANAGGI	GEAR SUPPORT	HALTER	SUPPORT
29	9096931000	1	MOTORUOTA COMPLETA	MOTOR DRIVE WHEEL CPL	MOTORRAD	MOTEUR-ROUE
30	9096933000	1	SUPPORTO STERZO	STEERING SUPPORT	HALTER	SUPPORT
31	9096934000	1	PIASTRA SUPERIORE MOTORUOTA	MOTOR DRIVE WHEEL UPPER PLATE	PLATTE	PLAQUE
32	145 2330 000	1	INGRASSATORE M6	GREASER	SCHMIERER	GRAISSEUR
33	145 4691 000	1	CUSCINETTO	BALL BEARING	LAGER	ROULEMENT
34	145 9505 000	1	BOCCOLA	BUSHING	BUCHSE	BAGUE
35	33004009	4	VITE TE M10X25	SCREW M10X25	SCHRAUBE	VIS
36	33005843	4	RONDELLA E. SPACCATA 10	WASHER SPLIT 10	BEILAGSCHEIBE	RONDELLE
0	9096927000	1	CABLAGGIO MOTORUOTA	MOTOR DRIVE WHEEL HARNESS	RAD KABELVERBINDUNG	CABLAGE ROUE
0	9096929000	1	ISTRUZIONI DI MONTAGGIO	INSTALLATION INSTRUCTIONS	MONTAGE ANGABEN	INSTRUCTION POUR MONTAGE
0	9096928000	1	KIT RICAMBI	SPARE PARTS KIT	DER WACHSEL SATZ	KIT RECHANGE
0	9096935000	1	GOMMA RUOTA	TYRE WHEEL	GUMMI - RAD	GOMME POUR LA ROUE
0	9096932000	1	PIASTRA MOTORUOTA	MOTOR DRIVE WHEEL PLATE	PLATTE	PLAQUE
0	56412322	1	CUSCINETTO 6004 ZZ	BALL BEARING	LAGER	ROULEMENT
0	9096967000	1	INDOTTO	ARMATURE	INDUZIERT	INDUIT
0	56412323	1	CUSCINETTO 6203 ZZ	BALL BEARING	LAGER	ROULEMENT
0	9096968000	1	ANELLO PORTASPAZZOLE	RING	RING	BAGUE
0	9096959000	1	KIT CUSCINETTI	BALL BEARING KIT	LAGER SATZ	KIT ROULEMENT
0	9096969000	1	TAPPO CON O-RING	PLUG	STÖPSEL	BOUCHON
0	9096960000	1	KIT SPAZZOLE	BRUSHES KIT	BUERSTE SATZ	KIT BROSSE
0	9096966000	1	ELETTROFRENO	ELECTROMAGNETIC BRAKE	ELEKTROBREMSE	FREIN ÉLECTROMAGNÉTIQUE
0	9096976000	1	FERODO	CLUCH DISC	DIE BREMSBELAG	ETRIER DE FREIN
0	9096970000	1	CUFFIA ELETTROFRENO	BRAKE COVER	DECKEL	COUVERCLE



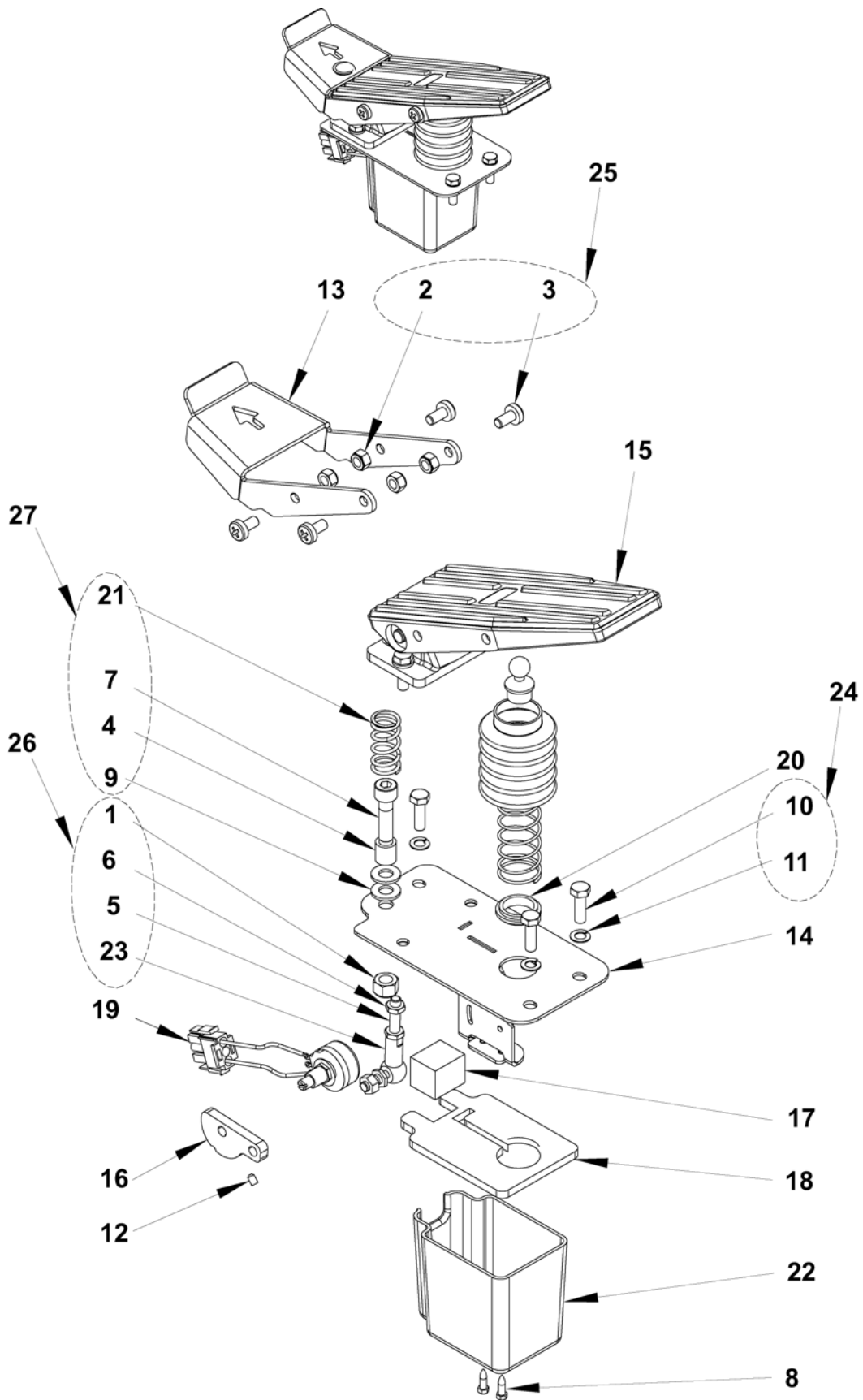
2005-10	GRUPPO STERZO / STEERING SYSTEM	BOOK E		
2007-10	BR 601 / 651 / 751 - 751C / EDS	E	17.3.1	15

Pos Item Bild Rép	Codice Ref. No. Art. Nr. Réf. No	Q.tà Qty Menge Qté	Descrizione	Description	Beschreibung	Désignation
1#	xxxxxxxxxx	2	DADO ES M5	NUT HEX M5 UNI5588	MUTTER	ECROU
2#	xxxxxxxxxx	8	ROND GROWER M8	WASHER M8 UNI1751B	BEILAGSCHEIBE	RONDELLE
3	145 4773 000	4	INSERTO ESAGONALE M8	INSERT HEX. M8	ABSTANDROHR	INSERT
4#	xxxxxxxxxx	2	DADO AUTOB M12X1,25	NUT M12X1,25 UNI7473	MUTTER	ECROU
5#	xxxxxxxxxx	8	VITE TE TF M8X25	SCREW M8X25 UNI5739	SCHRAUBE	VIS
6#	xxxxxxxxxx	8	ROND PIANA M8	WASHER M8 UNI6592	BEILAGSCHEIBE	RONDELLE
7	909 6074 000	1	CAVO REGOLAZIONE STERZO	CABLE	KABEL	CABLE
8	xxx xxxx xxx	2	VITE TBEI M12X30	SCREW M12X30	SCHRAUBE	VIS
9	146 2445 000	1	PIANTONE STERZO	STEERING COLUMN	LENKROHR	COLONNE DIRECTION
10	146 2446 000	1	SOSTEGNO STERZO	SUPPORT	HALTER	SUPPORT
11	146 2449 000	1	PISTONCINO A MOLLA	PLUNGER INDEXING	KOLBEN	PISTON
12	xxxxxxxxxx	1	TIRANTE M5X52	ROD TENSION M5X52	ZUGSTANGE	TIRANT
13	146 2457 000	1	SOFFIETTO IN GOMMA	BELLOW RUBBER	LENKUNGSSCHUTZROHR	SOUFLET
14	146 2458 000	1	LEVA REGOLAZIONE VOLANTE	LEVER	HEBEL	LEVIER
15	909 5011 000	3	VITE TCTC M6X20 INOX	SCREW OVAL HD M6X20 SS	SCHRAUBE	VIS
16	909 6071 000	1	COLONNA STERZO	STEERING COLUMN	LENKROHR	COLONNE DIRECTION
17	909 6072 000	1	VOLANTE	WHEEL STEERING	LENKRAD	VOLANT
18	909 6073 000	1	CARENATURA ANTERIORE	FRONT COVER	VORNE VERKLEIDUNG	BATI AVANT
19	xxxxxxxxxx	2	DISTANZIALE	BUSHING	ABSTANDSTUECK	ENTRETOISE
20	145 9619 000	1	GIUNTO	JOINT	KUPPLUNG	JOINT
21	xxxxxxxxxx	2	RONDELLA PIANA 12X36	WASHER FLAT 12X36	BEILAGSCHEIBE	RONDELLE
22	909 6349 000	1	KIT ADESIVI	KIT DECALS	ZUSATZ KLEBER	KIT ADHÉSIF
23	909 6398 000	1	KIT FISSAGGIO SOSTEGNO STERZO (4,8,19,21)	SUPPORT FITTING KIT (4,8,19,21)	HALTER FIXIERUNG SATZ (4,8,19,21)	KIT FIXAGE SUPPORT (4,8,19,21)
24	909 6399 000	1	KIT TIRANTE (1,12)	KIT ROD TENSION (1,12)	ZUGSTANGE SATZ (1,12)	KIT TIRANT (1,12)
25	909 6400 000	1	KIT VITERIA (2,5,6)	STEERING SYSTEM HARDWARE KIT (2,5,6)	SCHRAUBEN SATZ (2,5,6)	KIT VIS (2,5,6)
26	145 9290 000	1	MOLLA	SPRING	FEDER	RESSORT



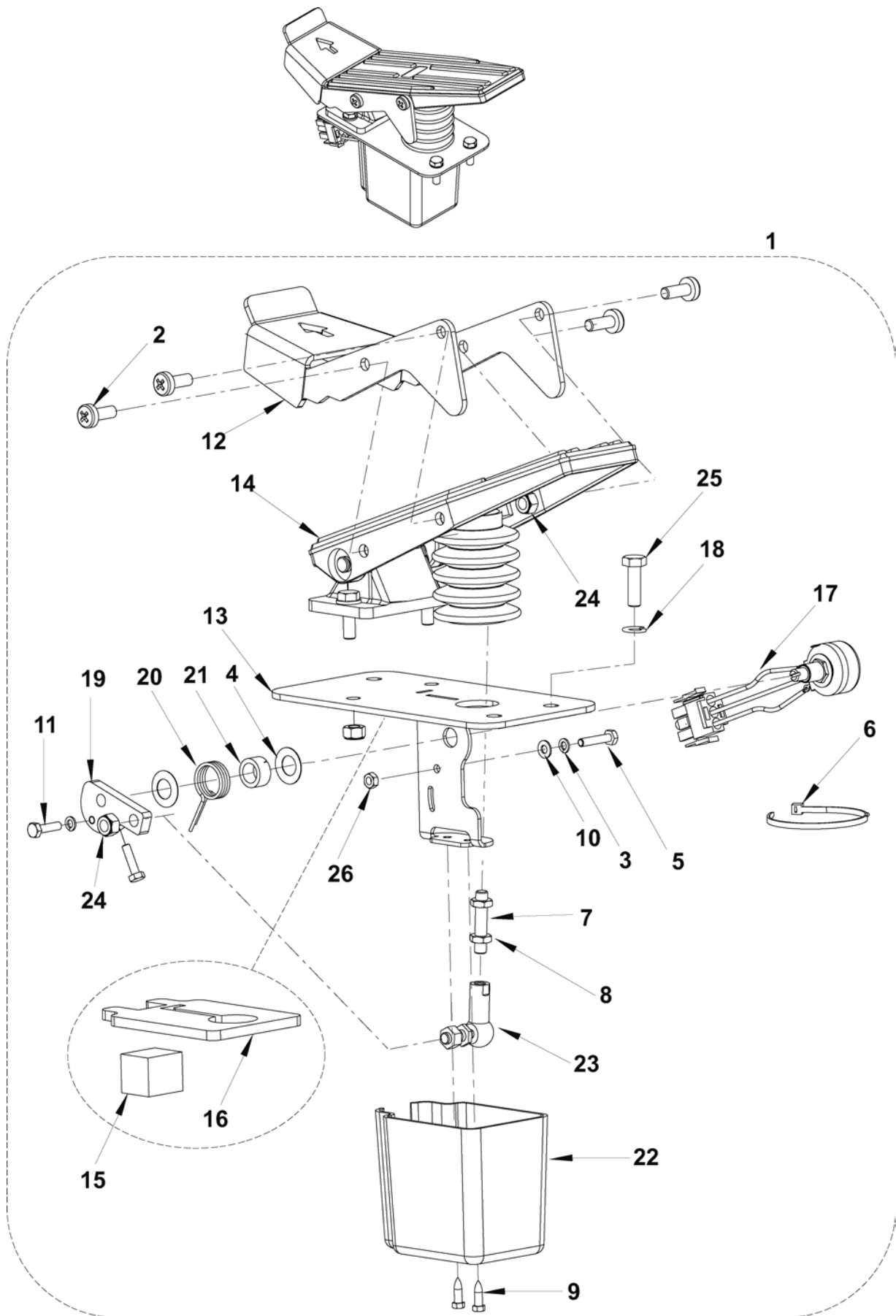
2005-10	GRUPPO PLANCE / CONTROL PANEL ASSEMBLIES	BOOK E		
2006-11	BR 601 / 651 / 751 - 751C / EDS	E	17.3.1	17

Pos Item Bild Rép	Codice Ref. No. Art. Nr. Réf. No	Q.tà Qty Menge Qté	Descrizione	Description	Beschreibung	Désignation
1	33005601	3	DADO E. AUTOBLOCCANTE M3	NUT HEX SELFLOCK M3	MUTTER	ECROU
2	146 2888 000	1	INTERRUTTORE A CHIAVE	KEY SWITCH	SCHLUSSELSCHALTER	CLE DEMARRAGE
3	145 4719 000	1	MANOPOLA POTENZIOMETRO	KNOB FOR POTENTIOMETER	DREHKNOFF	POIGNEE
4	909 6605 000	3	DISTANZIALE	SPACER	ABSTANDSTUECK	ENTRETOISE
5	146 1727 000	1	INTERRUTTORE A FUNGO	EMERGENCY SWITCH	NOTSCHALTER	INTERRUPTEUR
6	146 1728 000	1	CONTATTO N.C. ROSSO	CONTACT	KONTAKT	CONTACT
7	909 6608 000	1	SUPPORTO SCHEDE ELETTRONICA	ELECTRONIC BOARD SUPPORT	HALTER	SUPPORT
8	146 1710 000	5	VITE TCTC M5X10	SCREW M 5X10	SCHRAUBE	VIS
9	xxxxxxxxxx	1	PLANCIA	CONTROL PANEL	PANEEL	PLANCHE
10	909 6076 000	1	POTENZIOMETRO	POTENTIOMETER	POTENTIOMENTER	POTENTIOMETRE
11	909 6077 000	1	SCHEDE ELETTRONICA	ELECTRONIC BOARD	ELEKTRONISCHE KARTE	CARTE ELECTRONIQUE
11	909 6573 000	1	SCHEDE ELETTRONICA - MACCHINA CON EDS	ELECTRONIC BOARD - MACHINE WITH EDS	ELEKTRONISCHE KARTE - EDS	CARTE ELECTRONIQUE - MACHINE AVEC EDS
12	909 6078 000	1	SERIGRAFIA PLANCIA	DECAL CONTROL PANEL	SCHALTPLATTE FOLIE	SERIGRAPHIE
12	909 6184 000	1	SERIGRAFIA PLANCIA - MACCHINA CON EDS	DECAL CONTROL PANEL - MACHINE WITH EDS	SCHALTPLATTE FOLIE - EDS	SERIGRAPHIE - MACHINE AVEC EDS
13	xxxxxxxxxx	1	GUARNIZIONE PLANCIA	CONTROL PANEL GASKET	DICHTUNG	JOINT
14	146 2887 000	1	CHIAVE	KEY	SCHLUSSEL	CLE
0	909 6647 000	1	KIT PLANCIA (1-4-7-9-13)	CONTROL PANEL KIT (1-4-7-9-13)	PANEEL SATZ (1-4-7-9-13)	KIT PLANCHE (1-4-7-9-13)



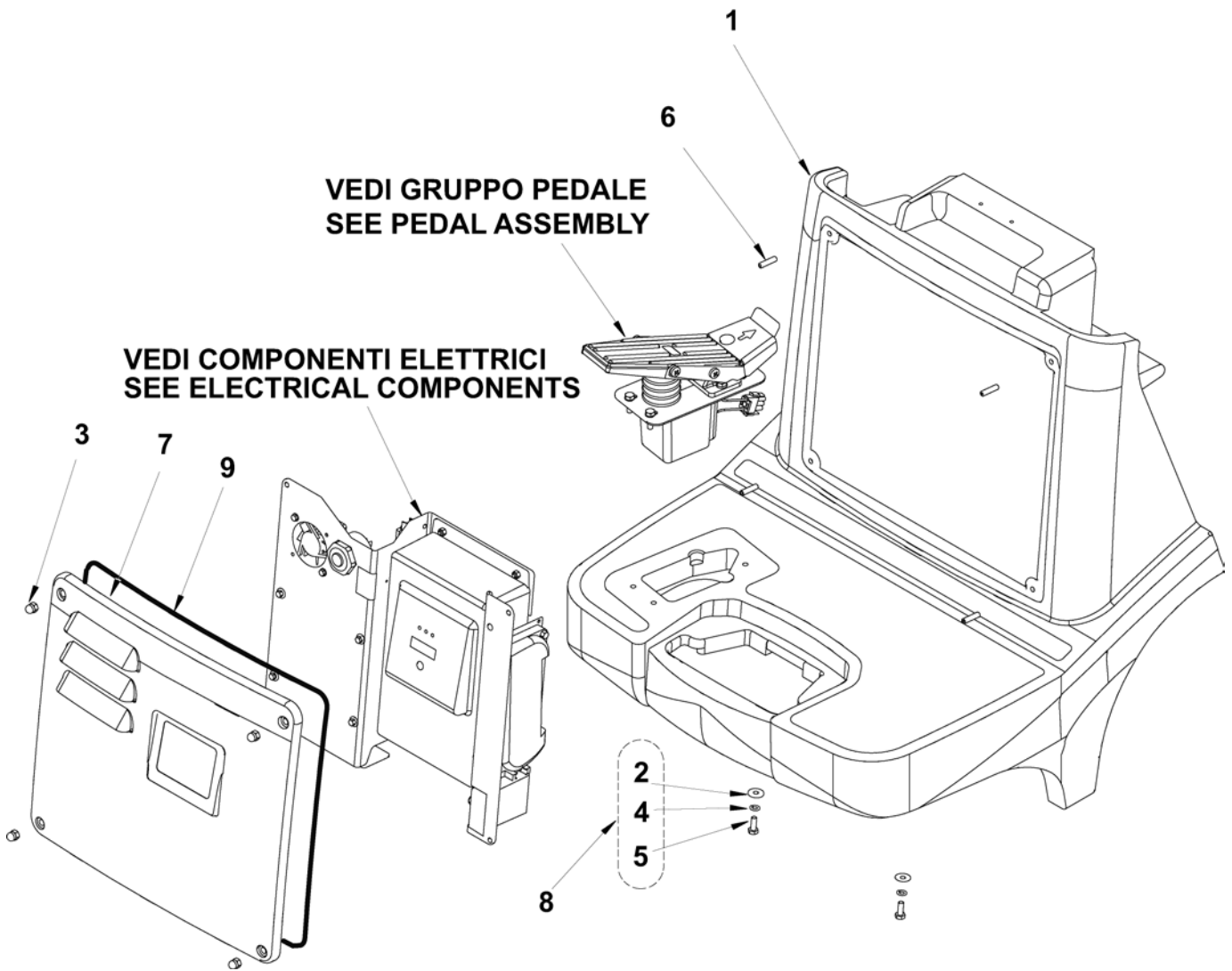
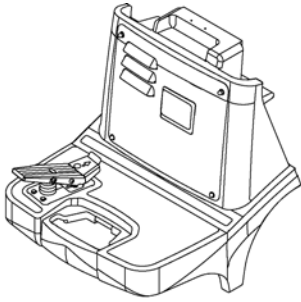
2005-10	GRUPPO PEDALE / PEDAL ASSEMBLY	BOOK E		
2007-10	BR 601/651/751 - 751C (FOR MACHINES TILL S/N 061909560)	E	17.3.1	19

Pos Item Bild Rép	Codice Ref. No. Art. Nr. Réf. No	Q.tà Qty Menge Qté	Descrizione	Description	Beschreibung	Désignation
1	xxxxxxxxxx	1	DADO E. BASSO AUTOBL. M8	NUT HEX SELFLOCK LOW M8	MUTTER	ECROU
2#	xxxxxxxxxx	6	DADO AUTOB BASSO M6	NUT SELF L. M6 UNI7474	MUTTER	ECROU
3	xxxxxxxxxx	4	VITE TCTC M6X12	SCREW PAN HD M6X12	SCHRAUBE	VIS
4	xxxxxxxxxx	1	DISTANZIALE 8X12X12,5	SPACER 8X12X12.5	ABSTANDSTUECK	ENTRETOISE
5	xxxxxxxxxx	1	TIRANTE M6X32	ROD TENSION M6X32	ZUGSTANGE	TIRANT
6	xxxxxxxxxx	2	DADO E. BASSO M6	NUT HEX LOW M6	MUTTER	ECROU
7	xxxxxxxxxx	1	VITE TCEI M8X25	SCREW CYL HD M8X25	SCHRAUBE	VIS
8	145 5867 000	2	VITE TE 3,9X13 AUTOF.	SCREW HEX HD 3.9X13	SCHRAUBE	VIS
9#	xxxxxxxxxx	4	ROND PIANA M8	WASHER M8 UNI6592	BEILAGSCHEIBE	RONDELLE
10	xxxxxxxxxx	3	VITE TE M6X20	SCREW HEX HD M6X20	SCHRAUBE	VIS
11#	xxxxxxxxxx	3	ROND GROWER M6	WASHER M6 UNI1751B	BEILAGSCHEIBE	RONDELLE
12	146 0621 000	1	GRANO M4X6	DOWEL M4X6	DUEBEL	GOUPILLE
13	146 1938 000	1	STAFFA PEDALE AVANZAM.	SPEED CONTR. PEDAL BRACKET	STANGE	SUPPORT
14	146 1939 000	1	SUPP. PEDALE AVANZAM.	SPEED CONTR. PEDAL SUPP.	HALTER	SUPPORT
15	146 1940 000	1	PEDALE AVANZAMENTO	SPEED CONTR. PEDAL	PEDAL	PEDAL
16	146 1941 000	1	LEVA POTENZIOMETRO	LEVER	HEBEL	LEVIER
17	146 2062 000	1	GUARNIZIONE L=24MM	GASKET L=24 MM	DICHTUNG	JOINT
18	146 2315 000	1	GUARNIZIONE PEDALE	PEDAL GASKET	DICHTUNG	JOINT
19	146 2480 000	1	CABLAGGIO PEDALE AVANZ.	HARNESS DRIVE PEDAL	KABELVERBINDUNG	CABLAGE
20	145 2589 000	1	RONDELLA CENTRAGGIO MOLLA	WASHER	BEILAGSCHEIBE	RONDELLE
21	xxxxxxxxxx	1	MOLLA L=35	SPRING L=35	FEDER	RESSORT
22	145 4086 000	1	COPRI PEDALE	PEDAL COVER	VERKLEIDUNG	PANNEAU
23	xxxxxxxxxx	1	TESTA SNODATA M6	DOWEL M6	GELENKKOPF	ROTULE
24	909 6376 000	1	KIT FISSAGGIO SUPPORTO PEDALE (10,11)	PEDAL SUPP. FITTING KIT (10,11)	HALTER FIXIERUNG SATZ (10,11)	KIT FIXAGE SUPPORT DU PEDAL (10,11)
25	909 6377 000	1	KIT FISSAGGIO STAFFA (2,3)	BRACKET FITTING KIT (2,3)	STANGE FIXIERUNG SATZ (2,3)	KIT FIXAGE SUPPORT (2,3)
26	909 6378 000	1	KIT FISSAGGIO LEVA POTENZIOMETRO (1,5,6,23)	LEVER FITTING KIT (1,5,6,23)	HEBEL FIXIERUNG SATZ (1,5,6,23)	KIT FIXAGE LEVIER (1,5,6,23)
27	909 6379 000	1	KIT VITERIA (4,7,9,21)	PEDAL ASSY HARDWARE KIT (4,7,9,21)	SCHRAUBEN SATZ (4,7,9,21)	KIT VIS (4,7,9,21)

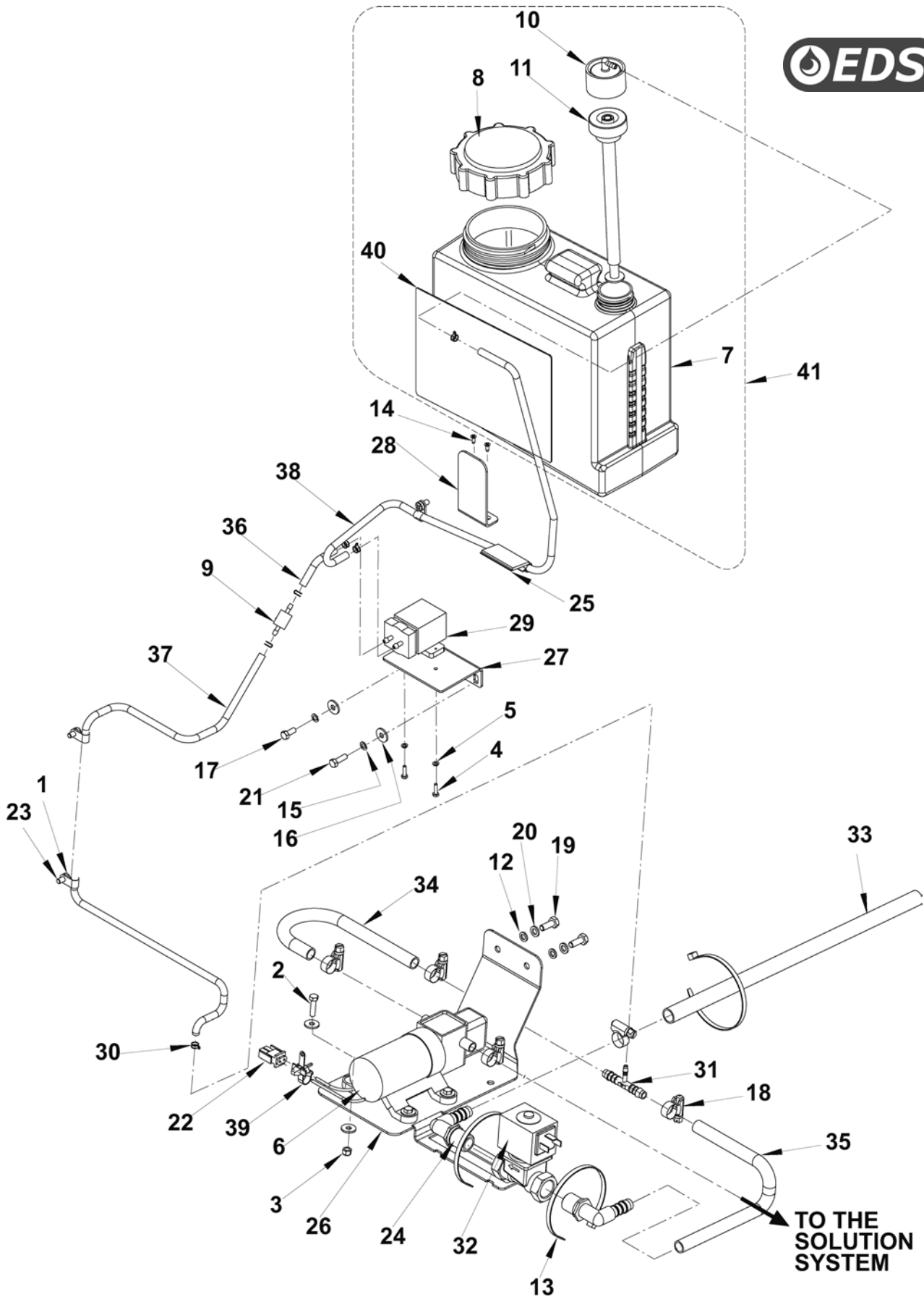


2006-06	GRUPPO PEDALE / PEDAL ASSEMBLY	BOOK E		
2007-10	BR 601/651/751-751C/EDS (FOR MACHINES STARTING S/N 061909561)	E	17.3.1	21

Pos Item Bild Rép	Codice Ref. No. Art. Nr. Réf. No	Q.tà Qty Menge Qté	Descrizione	Description	Beschreibung	Désignation
1	146 2952 000	1	KIT PEDALE COMPLETO	SPEED CONTROL PEDAL COMPLETE KIT	PEDAL SATZ	KIT PEDAL COMPLETE
2#	xxxxxxxxxx	4	VITE TC+ M6X16	SCREW M6X16 UNI7687	SCHRAUBE	VIS
3#	xxxxxxxxxx	2	ROND GROWER M4	WASHER M4 UNI1751B	BEILAGSCHEIBE	RONDELLE
4	145 1147 000	2	MOLLA A TAZZA	SPRING WASHER	FEDER	RESSORT
5#	xxxxxxxxxx	1	VITE TE TF M4X20	SCREW M4X20 UNI5739	SCHRAUBE	VIS
6#	xxxxxxxxxx	1	FASCETTA 2,9X130 NERA	CLAMP 2,9X130	SHELLE	COLLIER
7#	xxxxxxxxxx	1	TIRANTE M6X32	ROD TENSION M6X32	ZUGSTANGE	TIRANT
8#	xxxxxxxxxx	2	DADO ES BASSO M6	NUT HEX M6 UNI5589	MUTTER	ECROU
9#	xxxxxxxxxx	2	VITE AUTOF TE LISC 3,9X13	SCREW 3,9X13 UNI6950	SCHRAUBE	VIS
10#	xxxxxxxxxx	1	ROND PIANA M4	WASHER M4 UNI6592	BEILAGSCHEIBE	RONDELLE
11#	xxxxxxxxxx	2	VITE TE TF M4X16	SCREW M4X16 UNI5739	SCHRAUBE	VIS
12	146 2929 000	1	STAFFA PEDALE AVANZAMENTO	SPEED CONTROL PEDAL BRACKET	STANGE	SUPPORT
13	146 2930 000	1	SUPPORTO PEDALE AVANZAMENTO	SPEED CONTROL PEDAL SUPPORT	HALTER	SUPPORT
14	146 2910 000	1	PEDALE AVANZAMENTO	SPEED CONTROL PEDAL	PEDAL	PEDAL
15	146 2062 000	1	GUARNIZIONE	GASKET	DICHTUNG	JOINT
16	146 2315 000	1	GUARNIZIONE PEDALE	PEDAL GASKET	DICHTUNG	JOINT
17	146 2480 000	1	CABLAGGIO PEDALE AVANZAMENTO	HARNESS DRIVE PEDAL	KABELVERBINDUNG	CABLAGE
18	xxxxxxxxxx	3	RONDELLA E. SPACCATA 6	WASHER SPLIT 6	BEILAGSCHEIBE	RONDELLE
19	146 2882 000	1	LEVA POTENZIOMETRO	LEVER	HEBEL	LEVIER
20	146 2883 000	1	MOLLA	SPRING	FEDER	RESSORT
21	146 2884 000	1	DISTANZIALE	SPACER	ABSTANDSTUECK	ENTRETOISE
22	145 4086 000	1	COPRI PEDALE	PEDAL COVER	VERKLEIDUNG	PANNEAU
23#	xxxxxxxxxx	1	TESTA SNODATA M 6	JOINT BALL M6	GELENKKOPF	ROTULE
24#	xxxxxxxxxx	7	DADO AUTOB BASSO M6	NUT SELF L. M6 UNI7474	MUTTER	ECROU
25#	xxxxxxxxxx	3	VITE TE TF M6X20	SCREW M6X20 UNI5739	SCHRAUBE	VIS
26#	xxxxxxxxxx	1	DADO ES M4	NUT HEX M4 UNI5588	MUTTER	ECROU
0	909 6834 000	1	KIT VITERIA GRUPPO PEDALE (2,3,5,6,7,8,9,10,11,18,23,24,25,26)	PEDAL ASSEMBLY HARDWARE KIT (2,3,5,6,7,8,9,10,11,18,23,24,25,26)	ZUSATZ SCHRAUBEN PEDAL SATZ (2,3,5,6,7,8,9,10,11,18,23,24,25,26)	KIT VIS GROUPE PEDAL (2,3,5,6,7,8,9,10,11,18,23,24,25,26)

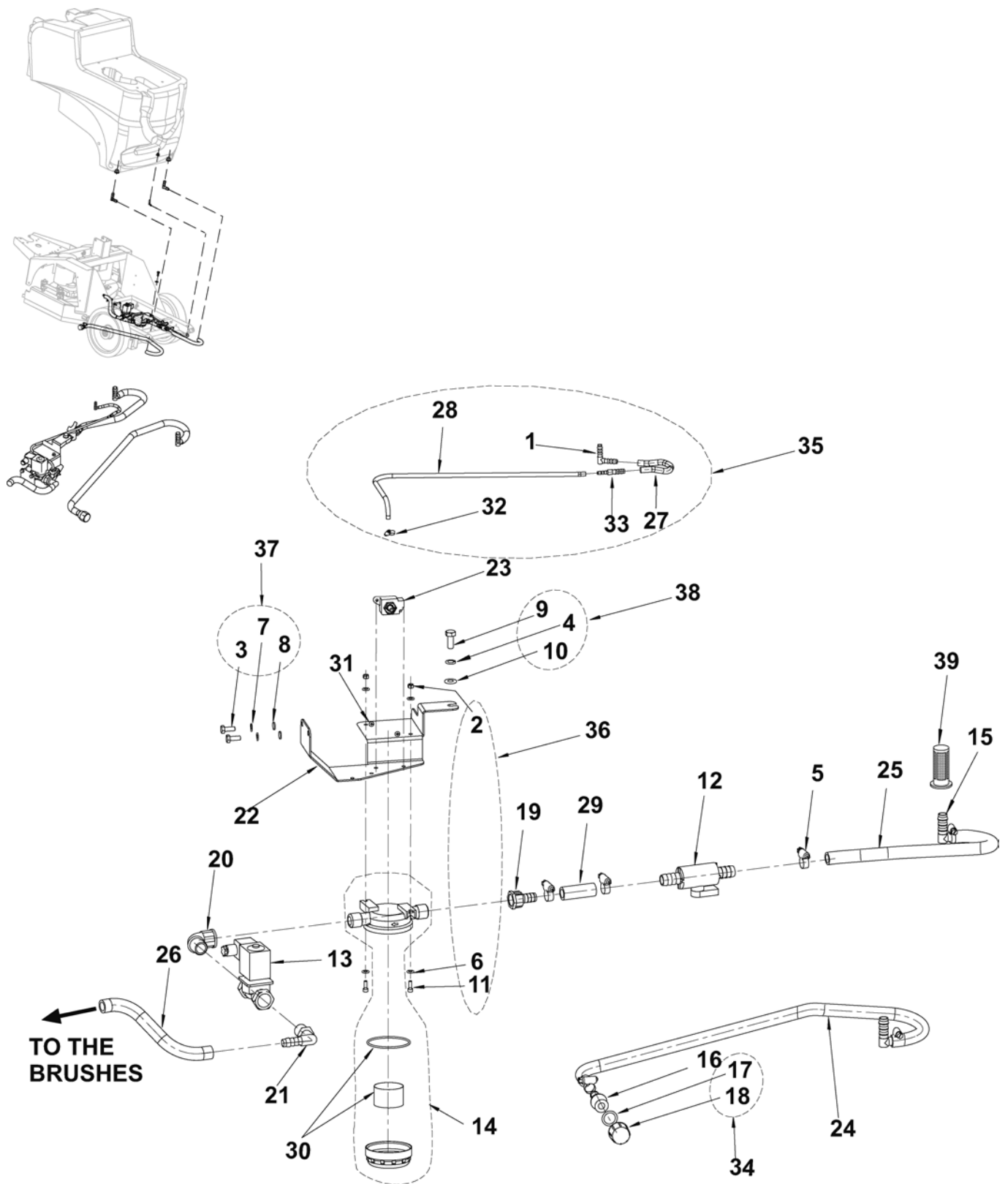


Pos Item Bild Rép	Codice Ref. No. Art. Nr. Réf. No	Q.tà Qty Menge Qté	Descrizione	Description	Beschreibung	Désignation
1	909 5899 000	1	PEDANA	FOOTBOARD	TRITTBRETT	MARCHEPIED
2	xxxxxxxxxx	2	RONDELLA PIANA 6X18	WASHER FLAT 6X18	BEILAGSCHEIBE 6X18	RONDELLE 6X18
3	145 4618 000	4	DADO CIECO M6 INOX	BLIND NUT M6 SS	MUTTER M6	ECROU M6
4	xxxxxxxxxx	2	RONDELLA E. SPACCATA 6	WASHER SPLIT 6	BEILAGSCHEIBE	RONDELLE
5	xxxxxxxxxx	2	VITE TE M6X16 INOX	SCREW M6X16 SS	SCHRAUBE	VIS
6	146 0759 000	4	GRANO M6X25	DOWEL M6X25	DUEBEL	GOUVILLE
7	909 6122 000	1	COPERCHIO SCHEDA ELETTRONICA	ELECTRONIC CARD COVER	DECKER	CUOVERCLE
8	909 6369 000	1	KIT VITERIA (2,4,5)	FOOTBOARD ASSY HARDWARE KIT (2,4,5)	SCHRAUBEN SATZ (2,4,5)	KIT VIS (2,4,5)
9	909 6838 000	1	GUARNIZIONE	GASKET	DICHTUNG	JOINT



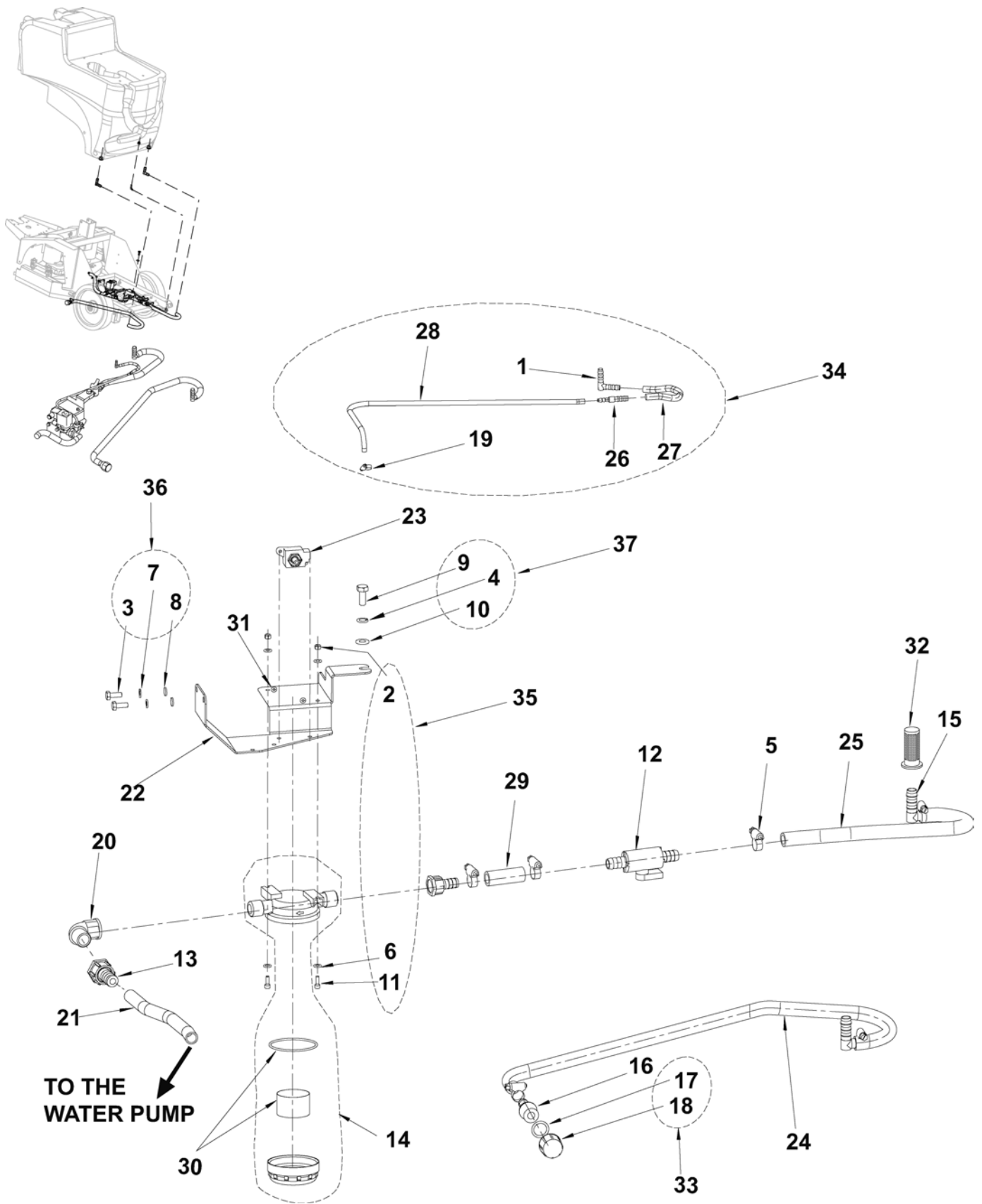
2006-06	ECO DOSAGE SOLUTION	BOOK E		
2006-11	BR 601 EDS / 651 EDS / 751 EDS - 751C EDS	E	17.3.1	25

Pos Item Bild Rép	Codice Ref. No. Art. Nr. Réf. No	Q.tà Qty Menge Qté	Descrizione	Description	Beschreibung	Désignation
1	xxxxxxxxxx	3	FASCETTA STRINGICAVO	CLAMP	SHELLE	COLLIER
2	xxxxxxxxxx	4	VITE TE M5X20 INOX	SCREW HEX. HD M5X20 SS	SCHRAUBE	VIS
3	xxxxxxxxxx	4	DADO E. BASSO AUTOBLOCCANTE M5 INOX	NUT HEX SELFLOCK LOW M5 SS	MUTTER	ECROU
4	xxxxxxxxxx	2	VITE TE M3X12 INOX	SCREW HEX. HD M3X12 SS	SCHRAUBE	VIS
5	xxxxxxxxxx	2	RONDELLA E. SPACCATA 3 INOX	WASHER SPLIT 3 SS	BEILAGSCHEIBE	RONDELLE
6	56315108	1	POMPA 24V	PUMP 24V	PUMPE	POMPE
7	xxxxxxxxxx	1	CONTENITORE DETERGENTE	CHEMICAL MIX BOX	BEHAELTER, REINIGUNGSMITTEL	CONTENEUR DÉTERGENT
8	xxxxxxxxxx	1	TAPPO DI CARICO	REFILL CAP	PFROPFEN	BOUCHON DE CHARGEMENT
9	56315522	1	VALVOLA DI NON RITORNO	CHECK VALVE	ABSPERRVENTIL	VALVE
10	xxxxxxxxxx	1	TAPPO	CAP	PFROPFEN	BOUCHON
11	xxxxxxxxxx	1	TUBO DI PESCAGGIO	DRY BREAK	SCHLAUCH	TUYAU DE PRISE DE DÉTERGENT
12	xxxxxxxxxx	2	RONDELLA D. 6 INOX	WASHE D. 6 SS	BEILAGSCHEIBE	RONDELLE
13	xxxxxxxxxx	3	FASCETTA	CLAMP	SHELLE	COLLIER
14	xxxxxxxxxx	2	VITE TSPTC M2,9X9,5 AUTOFIETTANTE INOX	SCREW M2,9X9,5 SS	SCHRAUBE	VIS
15	xxxxxxxxxx	2	RONDELLA E. SPACCATA 5	WASHER SPLIT 5	BEILAGSCHEIBE	RONDELLE
16	xxxxxxxxxx	10	RONDELLA PIANA 5X15 INOX	WASHER FLAT 5X15 SS	BEILAGSCHEIBE	RONDELLE
17	xxx xxxx xxx	1	VITE TE M5X12 INOX	SCREW HEX. HD M5X12 SS	SCHRAUBE	VIS
18	xxxxxxxxxx	5	FASCETTA 9/12-22	CLAMP 9/12-22	SHELLE	COLLIER
19	xxxxxxxxxx	2	VITE TE M6X16 INOX	SCREW HEX. HD M6X16 SS	SCHRAUBE	VIS
20	xxxxxxxxxx	2	RONDELLA PIANA 6X12,5 INOX	WASHER FLAT 6X12.5 SS	BEILAGSCHEIBE	RONDELLE
20	xxxxxxxxxx	1	VITE TE M5X16 INOX	SCREW HEX. HD M5X16 SS	SCHRAUBE	VIS
22	146 2796 000	1	CONNETTORE 2 VIE	CONNECTOR	STECKER	PRISE
23	xxx xxxx xxx	3	VITE TCTC M5X10 INOX	SCREW M5X10 SS	SCHRAUBE	VIS
24	909 6087 000	2	RACCORDO CURVO 90°	ELBOW 90°	VERBINDUNG	JOINT
25	xxxxxxxxxx	1	FERMACAVO ADESIVO	CABLE HOLDER	VERBINDUNGSBRUECKE	BRIDE
26	909 6180 000	1	STAFFA SUPPORTO POMPA ACQUA	WATER PUMP SUPPORT BRACKET	HALTER	SUPPORT
27	909 6181 000	1	STAFFA SUPPORTO POMPA DETERGENTE	CHEMICAL MIX PUMP BRACKET	HALTER	SUPPORT
28	909 6182 000	1	STAFFA SUPPORTO CONTENITORE DETERGENTE	CHEMICAL MIX BOX BRACKET	HALTER	SUPPORT
29	909 6183 000	1	POMPA DETERG. CHIMICO	CHEMICAL MIX PUMP	PUMPE, REINIGUNGSMITTEL	POMPE DÉTERGENT
30	xxxxxxxxxx	6	FASCETTA	CLAMP	SHELLE	COLLIER
31	909 6536 000	1	RACCORDO A "T"	ELBOW T	VERBINDUNG	JOINT
32	909 6576 000	1	ELETTROVALVOLA 24V	SOLENOID VALVE 24V	ELEKTROVENTIL	ELECTROVALVE
33	xxxxxxxxxx	1	TUBO L=360	HOSE L=360	SCHLAUCH L=360	TUYAU L=360
34	xxxxxxxxxx	1	TUBO L=240	HOSE L=240	SCHLAUCH L=240	TUYAU L=240
35	xxxxxxxxxx	1	TUBO L=210	HOSE L=210	SCHLAUCH L=210	TUYAU L=210
36	xxxxxxxxxx	1	TUBO L=100	HOSE L=100	SCHLAUCH L=100	TUYAU L=100
37	xxxxxxxxxx	1	TUBO L=700	HOSE L=700	SCHLAUCH L=700	TUYAU L=700
38	xxxxxxxxxx	1	TUBO L=650	HOSE L=650	SCHLAUCH L=650	TUYAU L=650
39	146 0987 000	1	FASCETTA AD INCASTRO	CLAMP	SHELLE	COLLIER
40	xxx xxxx xxx	1	ADESIVO RISCIVIBILE	REWRITABLE ADHESIVE	KLEBE	ADHÉSIF
41	909 6903 000	1	KIT CONTENITORE DETERGENTE (7,8,10,11,40)	CHEMICAL MIX BOX KIT (7,8,10,11,40)	BEHAELTER, REINIGUNGSMITTEL SATZ (7,8,10,11,40)	KIT CONTENEUR DÉTERGENT (7,8,10,11,40)
0	909 6835 000	1	KIT TUBI SOLUZIONE DETERGENTE (33,34,35,36,37,38)	HOSE CHEMICAL MIX KIT (33,34,35,36,37,38)	ZUSATZ SCHLAUCH REINIGUNGSMITTEL (33,34,35,36,37,38)	KIT TUYAU DÉTERGENT (33,34,35,36,37,38)
0	909 6836 0000	1	KIT VITERIA EDS (1,2,3,4,5,1 2,13,14,15,16,17,18,19,20,21, 23,25,30,39)	EDS HARDWARE KIT (1,2,3,4,5,12,13,14,15,16,17,1 8,19,20,21,23, 25,30,39)	ZUSATZ SCHRAUBEN EDS (1,2,3,4,5,12,13,14,15,16,17,1 8,19,20,21,23, 25,30,39)	KIT VIS EDS (1,2,3,4,5, 12,13,14,15,16,17,18, 19,20,21,23,25,30,39)



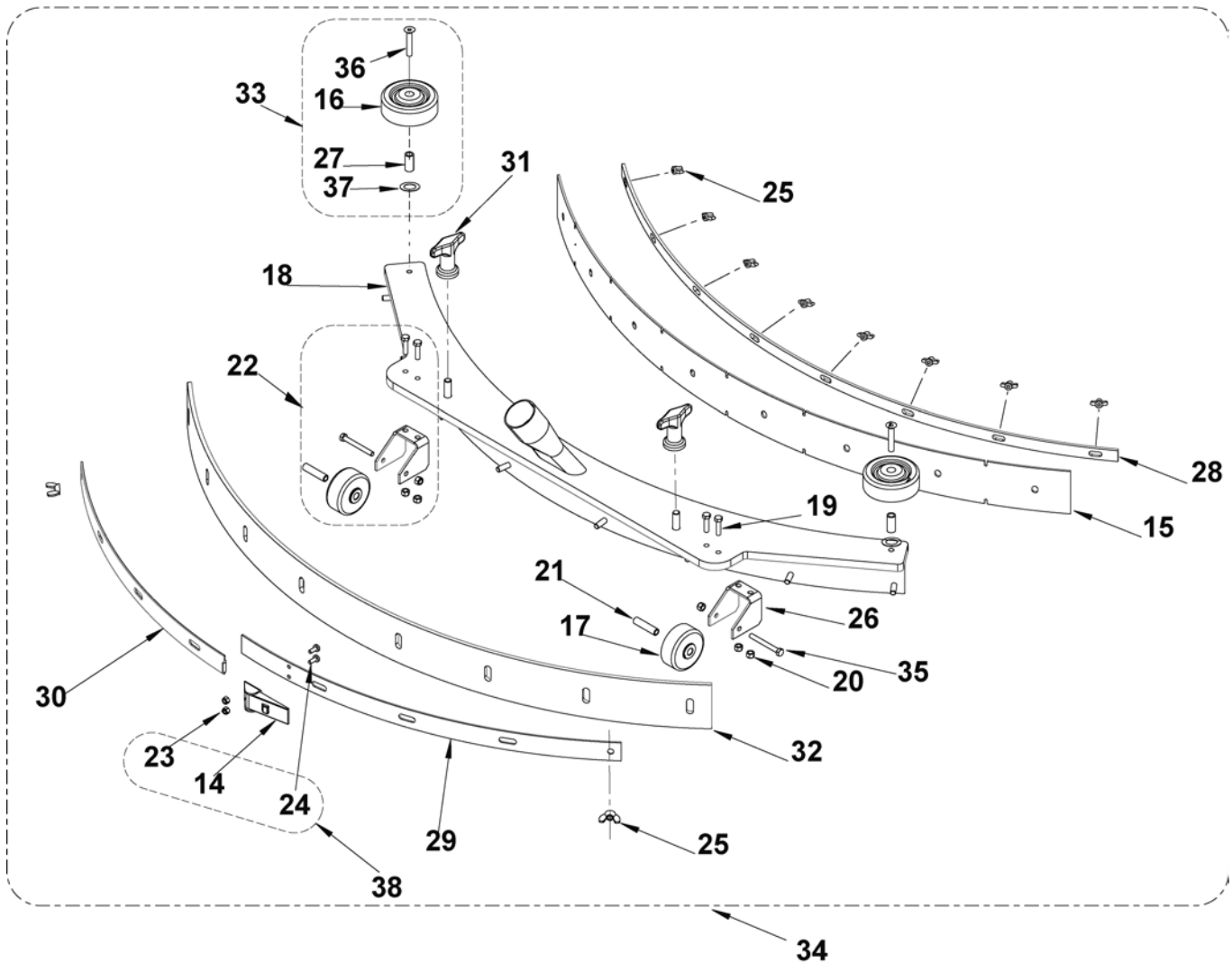
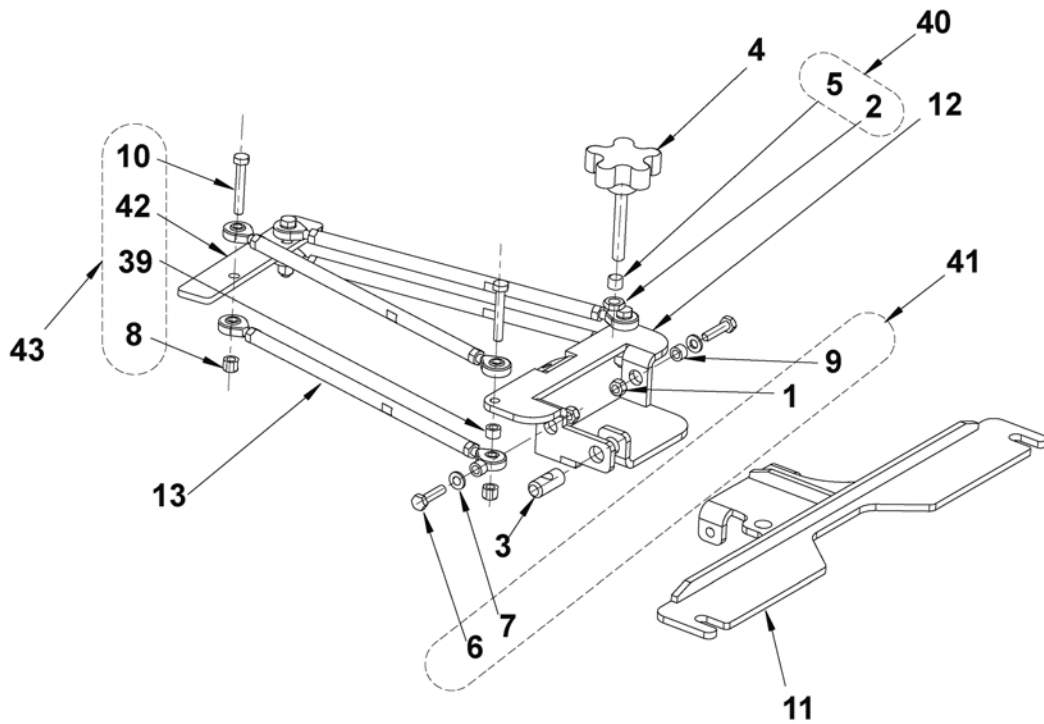
2005-10	GRUPPO ELETTROVALVOLA / SOLUTION SYSTEM	BOOK E		
2007-10	BR 601 / 651 / 751 - 751C	E	17.3.1	27

Pos Item Bild Rép	Codice Ref. No. Art. Nr. Réf. No	Q.tà Qty Menge Qté	Descrizione	Description	Beschreibung	Désignation
1	xxxxxxxxxx	1	PORTAGOMMA 90°	PIPE HOLDER 90°	GUMMIHALTER 90°	RACCORD 90°
2	xxxxxxxxxx	2	DADO E. BASSO M4 AUTOBL. INOX	NUT HEX LOW M4 SELFLOCK. SS	MUTTER	ECROU
3	xxxxxxxxxx	2	VITE TE M6X16 INOX	SCREW HEX. HD M6X16 SS	SCHRAUBE	VIS
4	xxxxxxxxxx	1	RONDELLA E. SPACCATA 8	WASHER SPLIT 8	BEILAGSCHEIBE	RONDELLE
5	33003496	6	FASCETTA 9/12-22	HOSE CLAMP	SHELLE	COLLIER
6	xxxxxxxxxx	4	RONDELLA PIANA 5X10	WASHER FLAT 5X10	BEILAGSCHEIBE	RONDELLE
7	xxxxxxxxxx	2	RONDELLA E. SPACCATA 6	WASHER SPLIT 6	BEILAGSCHEIBE	RONDELLE
8	xxxxxxxxxx	2	RONDELLA PIANA 6X12,5 INOX	WASHER FLAT 6X12,5 SS	BEILAGSCHEIBE	RONDELLE
9	xxxxxxxxxx	1	VITE TE M8X20 INOX	SCREW HEX. HD M8X20 SS	SCHRAUBE	VIS
10	xxxxxxxxxx	1	RONDELLA PIANA 8X17 INOX	WASHER FLAT 8X17 SS	BEILAGSCHEIBE	RONDELLE
11	xxxxxxxxxx	2	VITE TCEI M4X12	SCREW M4X12	SCHRAUBE	VIS
12#	9096954000	1	RUBINETTO	VALVE	HAHN	ROBINET
13	909 5205 000	1	ELETTROVALVOLA 24V	SOLENOID VALVE	ELEKTROVENTIL	ELECTROVALVE
14	909 5207 000	1	FILTRO ACQUA	WATER FILTER	WASSER FILTER	FILTRE EAU
15	909 6080 000	2	RACCORDO A 90°	ELBOW 90°	VERBINDUNG	JOINT
16	909 6081 000	1	PORTAGOMMA 1/2 MASCHIO	PIPE HOLDER 1/2 MALE	GUMMIHALTER 1/2	RACCORD 1/2
17	xxxxxxxxxx	1	GUARNIZIONE PER TAPPO FEMMINA	GASKET FOR CAP	DICHTUNG	JOINT
18	xxxxxxxxxx	1	TAPPO FEMMINA 1/2	CAP 1/2	KAPPE	BOUCHON
19	909 6085 000	1	RACCORDO DRITTO 1/2	PIPE HOLDER STRAIGHT	VERBINDUNG	JOINT
20	909 6086 000	1	RACCORDO CURVO M/F	CURVED ELBOW M/F	VERBINDUNG	JOINT
21	909 6087 000	1	RACCORDO CURVO 90° M	CURVED ELBOW 90° M	VERBINDUNG	JOINT
22	909 6088 000	1	STAFFA SUPPORTO ELETTROVALVOLA	SUPPORT, SOLENOID VALVE	HALTER	SUPPORT
23	909 6091 000	1	PRESSOSTATO	PRESSURE SENSOR	DRUCKBESCREANUNGSEN	PRESSOSTAT
24	909 6328 000	1	TUBO SCARICO ACQUA	DRAIN HOSE	SCHLAUCH	TUYAU
25	909 6346 000	1	TUBO L=350	HOSE	SCHLAUCH	TUYAU
26	909 6347 000	1	TUBO L=260	HOSE	SCHLAUCH	TUYAU
27	xxxxxxxxxx	1	TUBO L=270	HOSE	SCHLAUCH	TUYAU
28	xxxxxxxxxx	1	TUBO SILICONE L=260	HOSE	SCHLAUCH	TUYAU
29	909 6348 000	1	TUBO L=50	HOSE	SCHLAUCH	TUYAU
30	909 5215 000	1	RETE FILTRO E GUARNIZIONE	NET, WATER FILTER AND GASKET	NEZT MIT DICHTUNG	GRILLAGE ET JOINT
31	145 5869 000	2	VITE 3,9X9,5	SCREW 3,9X9,5	SCHRAUBE	VIS
32	xxxxxxxxxx	1	FASCETTA	CLAMP	SHELLE	COLLIER
33	xxxxxxxxxx	1	PORTAGOMMA DRITTO	PIPE HOLDER	GUMMIHALTER	RACCORD
34	909 6389 000	1	KIT TAPPO (17,18)	CAP KIT (17,18)	KAPPE SATZ (17,18)	KIT BOUCHON (17,18)
35	909 6390 000	1	KIT TUBO PRESSOSTATO (1,27,28,32,33)	PRESSURE SENSOR HOSE KIT (1,27,28,32,33)	SCHLAUCH SATZ (1,27,28,32,33)	KIT TUYAU DU PRESSOSTAT (1,27,28,32,33)
36	909 6391 000	1	KIT FISSAGGIO FILTRO (2,6,11)	FILTER FITTING KIT (2,6,11)	WASSER FILTER FIXIERUNG SATZ (2,6,11)	KIT FIXAGE FILTRE EAU (2,6,11)
37	909 6392 000	1	KIT FISSAGGIO STAFFA (3,7,8)	SUPPORT FITTING KIT (3,7,8)	HALTER FIXIERUNG SATZ (3,7,8)	KIT FIXAGE SUPPORT (3,7,8)
38	909 6393 000	1	KIT VITERIA (4,9,10)	SOLUTION SYSTEM HARDWARE KIT (4,9,10)	SCHRAUBEN SATZ (4,9,10)	KIT VIS (4,9,10)
39*	9096916000	1	FILTRO SERBATOIO SOLUZIONE	SOLUTION TANK FILTER	FRISCHWASSERTANK FILTER	FILTRE RESERVOIR SOLUTION



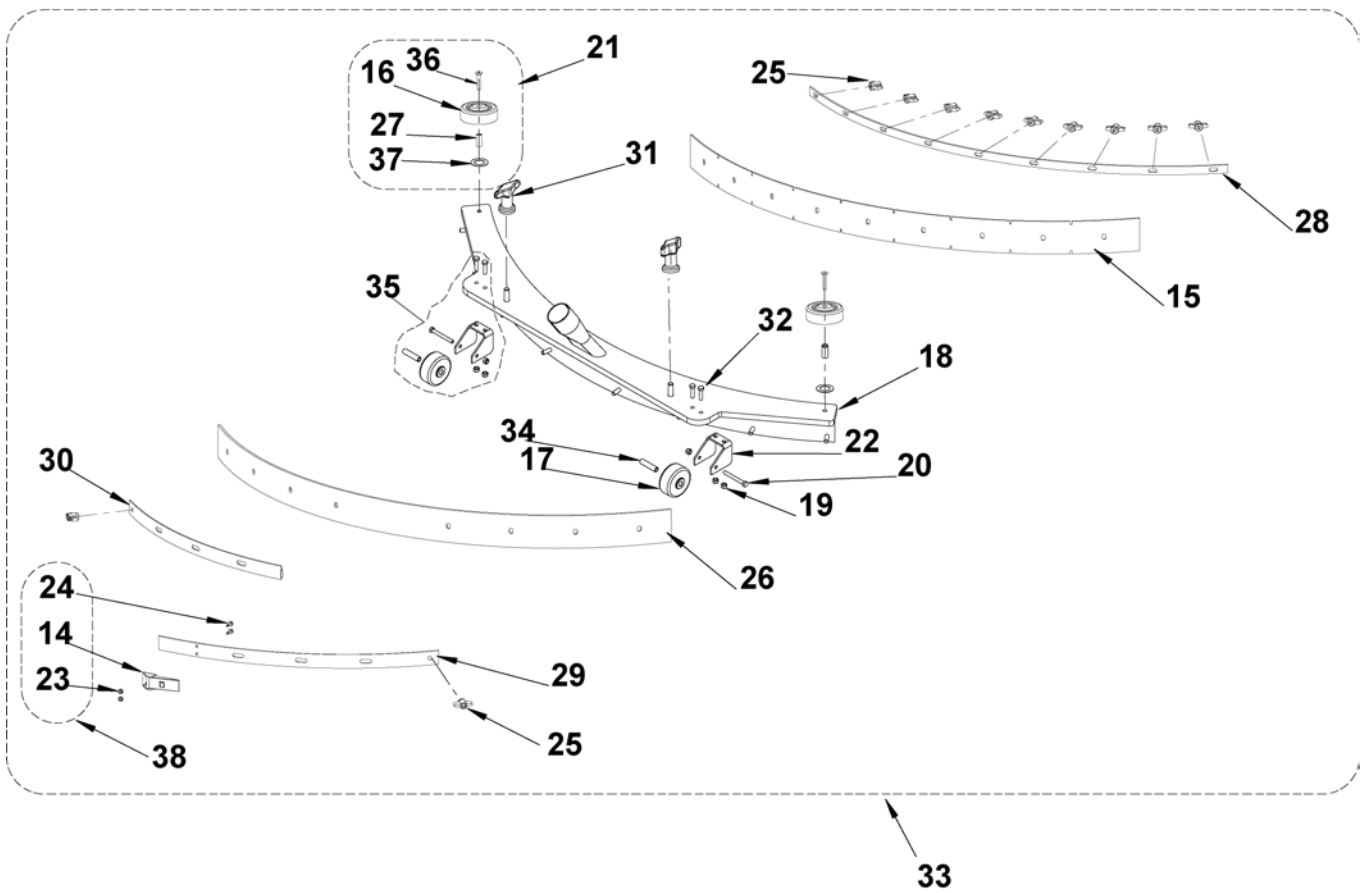
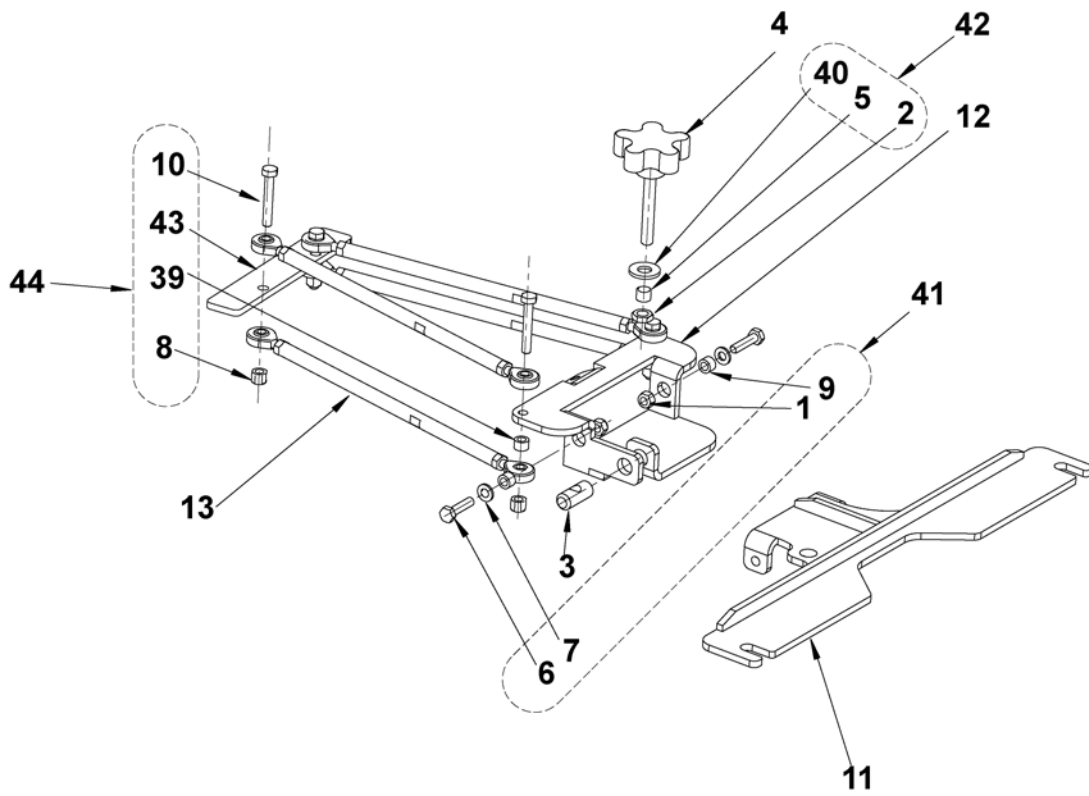
2006-06	GRUPPO ELETTROVALVOLA / SOLUTION SYSTEM	BOOK E		
2007-10	BR 601 EDS / 651 EDS / 751 EDS - 751C EDS	E	17.3.1	29

Pos Item Bild Rép	Codice Ref. No. Art. Nr. Réf. No	Q.tà Qty Menge Qté	Descrizione	Description	Beschreibung	Désignation
1#	L08603189	1	PORTAGOMMA 90°	PIPE HOLDER 90°	GUMMIHALTER 90°	RACCORD 90°
2#	L08603685	2	DADO E. BASSO M4 AUTOBL. INOX	NUT HEX LOW M4 SELFLOCK. SS	MUTTER	ECROU
3	145 9959 000	2	VITE TE M6X16 INOX	SCREW HEX. HD M6X16 SS	SCHRAUBE	VIS
4	33005842	1	RONDELLA E. SPACCATA 8	WASHER SPLIT 8	BEILAGSCHEIBE	RONDELLE
5	33003496	6	FASCETTA 9/12-22	HOSE CLAMP	SCHELLE	COLLIER
6#	33005912	4	ROND PIANA M5	WASHER M5 UNI6592	BEILAGSCHEIBE	RONDELLE
7	33005851	2	RONDELLA E. SPACCATA 6	WASHER SPLIT 6	BEILAGSCHEIBE	RONDELLE
8#	33005875	2	RONDELLA PIANA 6X12,5 INOX	WASHER FLAT 6X12,5 SS	BEILAGSCHEIBE	RONDELLE
9	33003982	1	VITE TE M8X20 INOX	SCREW HEX. HD M8X20 SS	SCHRAUBE	VIS
10	145 9979 000	1	RONDELLA PIANA 8X17 INOX	WASHER FLAT 8X17 SS	BEILAGSCHEIBE	RONDELLE
11	146 1788 000	2	VITE TCEI M4X12	SCREW M4X12	SCHRAUBE	VIS
12	9096954000	1	RUBINETTO	VALVE	HAHN	ROBINET
13	909 6085 000	2	RACCORDO	PIPE FITTING	VERBINDUNG	JOINT
14	909 5207 000	1	FILTRO ACQUA	WATER FILTER	WASSER FILTER	FILTRE EAU
15	909 6080 000	2	RACCORDO A 90°	ELBOW 90°	VERBINDUNG	JOINT
16	909 6081 000	1	PORTAGOMMA 1/2 MASCHIO	PIPE HOLDER 1/2 MALE	GUMMIHALTER 1/2	RACCORD 1/2
17	909 6082 000	1	GUARNIZIONE PER TAPPO FEMMINA	GASKET FOR CAP	DICHTUNG	JOINT
18	xxxxxxxxxx	1	TAPPO FEMMINA 1/2	CAP 1/2	KAPPE	BOUCHON
19	909 6267 000	1	FASCETTA	CLAMP	SCHELLE	COLLIER
20	909 6086 000	1	RACCORDO CURVO M/F	CURVED ELBOW M/F	VERBINDUNG	JOINT
21	xxxxxxxxxx	1	TUBO	HOSE	SCHLAUCH	TUYAU
22	909 6088 000	1	STAFFA SUPPORTO	SUPPORT	HALTER	SUPPORT
23	909 6091 000	1	PRESSOSTATO	PRESSURE SENSOR	DRUCKBESCREAKUNGSVEN	PRESSOSTAT
24	909 6328 000	1	TUBO SCARICO ACQUA	DRAIN HOSE	SCHLAUCH	TUYAU
25	909 6346 000	1	TUBO D=13 L=350	HOSE	SCHLAUCH	TUYAU
26	909 6090 000	1	PORTAGOMMA DRITTO	PIPE HOLDER	GUMMIHALTER	RACCORD
27	xxxxxxxxxx	1	TUBO D6 L=270	HOSE	SCHLAUCH	TUYAU
28	xxxxxxxxxx	1	TUBO SILICONE D4 L=260	HOSE	SCHLAUCH	TUYAU
29	909 6348 000	1	TUBO D13 L=50	HOSE	SCHLAUCH	TUYAU
30	909 5215 000	1	RETE FILTRO E GUARNIZIONE	NET, WATER FILTER AND GASKET	NEZT MIT DICHTUNG	GRILLAGE ET JOINT
31	145 5869 000	2	VITE 3,9X9,5	SCREW 3,9X9,5	SCHRAUBE	VIS
32*	9096916000	1	FILTRO SERBATOIO SOLUZIONE	SOLUTION TANK FILTER	FRISCHWASSERTANK FILTER	FILTRE RESERVOIR SOLUTION
33	909 6389 000	1	KIT TAPPO (17,18)	CAP KIT (17,18)	KAPPE SATZ (17,18)	KIT BOUCHON (17,18)
34	909 6390 000	1	KIT TUBO PRESSOSTATO (1,19,27,28,33)	PRESSURE SENSOR HOSE KIT (1,19,27,28,33)	SCHLAUCH SATZ (1,19,27,28,33)	KIT TUYAU DU PRESSOSTAT (1,19,27,28,33)
35	909 6391 000	1	KIT FISSAGGIO FILTRO (2,6,11)	FILTER FITTING KIT (2,6,11)	WASSER FILTER FIXIERUNG SATZ (2,6,11)	KIT FIXAGE FILTRE EAU (2,6,11)
36	909 6392 000	1	KIT FISSAGGIO STAFFA (3,7,8)	SUPPORT FITTING KIT (3,7,8)	HALTER FIXIERUNG SATZ (3,7,8)	KIT FIXAGE SUPPORT (3,7,8)
37	909 6393 000	1	KIT VITERIA (4,9,10)	SOLUTION SYSTEM HARDWARE KIT (4,9,10)	SCHRAUBEN SATZ (4,9,10)	KIT VIS (4,9,10)



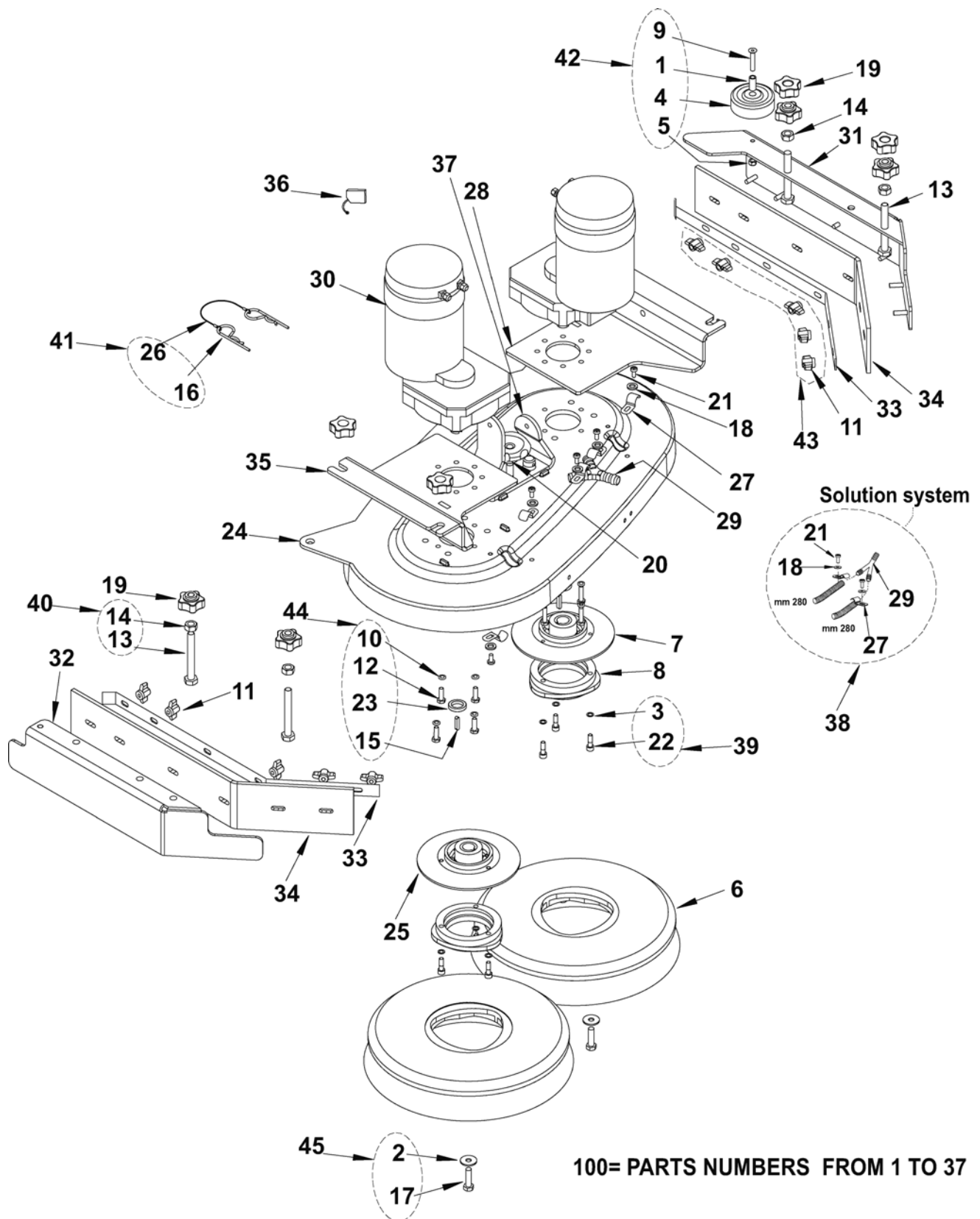
2005-10	GRUPPO TERGITORE / SQUEEGEE SYSTEM	BOOK E		
2007-10	BR 601 / 651 / EDS	E	17.3.1	31

Pos Item Bild Rép	Codice Ref. No. Art. Nr. Réf. No	Q.tà Qty Menge Qté	Descrizione	Description	Beschreibung	Désignation
1#	xxxxxxxxxx	2	DADO AUTOB BASSO M6	NUT SELF L. M6 UNI7474	MUTTER	ECROU
2#	xxxxxxxxxx	1	DADO ES BASSO M8	NUT HEX M8 UNI5589	MUTTER	ECROU
3#	L08601509	1	PERNO SUPPORTO TERGITORE	PIN, SQUEEGEE SUPPORT	STIFT	AXE
4	909 6223 000	1	VOLANTINO M8X45	HANDWHEEL M8X45	HANDRAD	MOLETTE
5	xxxxxxxxxx	1	DISTANZIALE Ø8XØ10X7	SPACER Ø8XØ10X7	ABSTANDSTUECK	ENTRETOISE
6#	xxxxxxxxxx	2	VITE TE TF M6X25	SCREW M6X25 UNI5739	SCHRAUBE	VIS
7#	xxxxxxxxxx	2	ROND PIANA M6	WASHER M6 UNI6592	BEILAGSCHEIBE	RONDELLE
8#	xxxxxxxxxx	4	DADO AUTOB BASSO M6 INOX	NUT SELF L. M6 UNI7474	MUTTER	ECROU
9	xxxxxxxxxx	2	DISTANZIALE 6,1X10X6,5	SPACER 6.1 X 10 X 6.5	ABSTANDSTUECK	ENTRETOISE
10	xxxxxxxxxx	4	VITE TE M8X45 INOX	SCREW HEX HD M8X45 SS	SCHRAUBE	VIS
11	909 6103 000	1	SUPPORTO TERGITORE	SQUEEGEE SUPPORT	HALTER	SUPPORT
12	909 6104 000	1	PIASTRA SUPPORTO TERGITORE	PLATE, SQUEEGEE SUPPORT	PLATTE	PLAQUE
13	9096944000	4	TIRANTE TERGITORE	TENSION ROD	ZUGANKER	TIRANT
14	xxxxxxxxxx	1	GANCIO PER TERGITORE	LATCH	HAKEN	CROCHET
15#	L08603830	1	GOMMA TERGITORE ANTERIORE	BLADE FRONT	SAUGLIPPE VORNE	BAVETTE EMBOUCHURE AVANT
15*	909 5629 000	1	GOMMA TERG.ANT. ANTITRACCIA	NON MARKING FRONT BLADE	SPURLOSE SAUGLIPPE VORNE	BAVETTE EM.NON MARQUANTE
16#	L08602460	2	RUOTA PARACOLPI	ROLLER BUMPER	ABWEISROLLE	DEFLECTEUR
17#	L08603665	2	RUOTA TERGITORE	SQUEEGEE WHEEL	SAUGDUESENRAD	ROUE EMBOUCHURE
18	909 5294 000	1	CORPO TERGITORE	WELDMENT SQUEEGEE TOOL	SAUGDUESENKOERPER	CORPS EMBOUCHURE
19	xxxxxxxxxx	4	VITE TE M5X20 INOX	SCREW HEX HD M5X20 SS	SCHRAUBE	VIS
20	xxxxxxxxxx	6	DADO E.BASSO AUTOBL. M5 INOX	NUT HEX SELF LOCK M5 SS	MUTTER	ECROU
21	xxxxxxxxxx	2	DISTANZIALE RUOTA TERGITORE	SPACER, SQUEEGEE WHEEL	ABSTANDSTUECK	ENTRETOISE
22#	L08603879	1	KIT RUOTA TERGITORE	KIT SQUEEGEE WHEEL	SAUGDUESENRAD SATZ	KIT ROUE EMBOUCHURE
23	xxxxxxxxxx	2	DADO E.BASSO AUTOBL. M4 INOX	NUT HEX SELF LOCK M4 SS	MUTTER	ECROU
24	xxxxxxxxxx	2	VITE TCTC M4X10 INOX	SCREW PAN PHIL M4X10 SS	SCHRAUBE	VIS
25	xxxxxxxxxx	10	GALLETTO DI FISSAGGIO M6	WING NUT M6	FLUEGELMUTTER	ECROU A PAPILLON
26	xxxxxxxxxx	2	SUPPORTO RUOTA TERGITORE	BRACKET SQUEEGEE WHEEL	SAUGDUESENRAD HALTER	SUPPORT ROUE EMBOUCHURE
27	xxxxxxxxxx	2	DISTANZIALE Ø6,3XØ9,5X21	SPACER Ø6,3XØ9,5X21	ABSTANDSTUECK	ENTRETOISE
28#	L08603831	1	BANDELLA GOMMA ANTERIORE	STRAP FRONT	LEISTE VORNE	LONGERON AVANT
29#	L08603834	1	BANDELLA GOMMA POST. DX	STRAP RIGHT REAR	LEISTE HINTEN RECHTS	LONGERON ARRIERE DROITE
30#	L08603833	1	BANDELLA GOMMA POST. SX	STRAP LEFT REAR	LEISTE HINTEN LINKS	LONGERON ARRIERE GAUCHE
31#	L08603675	2	VOLANTINO DI FISSAGGIO TERGITORE	THUMB NUT SQUEEGEE FIXING	FLUEGELMUTTER	ECROU A PAPILLON
32#	L08603832	1	GOMMA TERGITORE POSTERIORE	BLADE REAR	SAUGLIPPE HINTEN	BAVETTE EMBOUCHURE ARRIERE
33#	L08603880	1	KIT RUOTA PARACOLPI	KIT SQUEEGEE BUMPER ROLLER	ABWEISROLLE SATZ	KIT DEFLECTEUR
34	909 5372 000	1	KIT TERGITORE BR601-651	KIT SQUEEGEE BR601-651	SAUGDUESEN SATZ BR601- 651	KIT EMBOUCHURE BR601- 651
35	xxxxxxxxxx	2	VITE TE M5X45 INOX	SCREW HEX HD M5X45 SS	SCHRAUBE	VIS
36	xxxxxxxxxx	2	VITE TSPEI M6X35	SCREW M6X35	SCHRAUBE	VIS
37	xxxxxxxxxx	2	RONDELLA PIANA 6X18 INOX	WASHER FLAT 6X18 SS	BEILAGSCHEIBE	RONDELLE
38	909 6394 000	1	KIT GANCIO TERGITORE (14,23,24)	SQUEEGEE LATCH KIT (14,23,24)	HAKEN SATZ (14,23,24)	KIT CROCHET (14,23,24)
39	xxxxxxxxxx	2	DISTANZIALE 8.2X16X6	SPACER 8.2X16X6	ABSTANDSTUECK	ENTRETOISE
40	909 6396 000	1	KIT FISSAGGIO VOLANTINO (2,5)	HANDWHEEL FITTING KIT (2,5)	HANDRAD FIXIERUNG SATZ (2,5)	KIT FIXAGE MOLETTE (2,5)
41	909 6397 000	1	KIT VITERIA (1,6,7,9)	SQUEEGEE SYSTEM HARDWARE KIT (1,6,7,9)	SCHRAUBEN SATZ (1,6,7,9)	KIT VIS (1,6,7,9)
42	9096956000	1	PIASTRA TIRANTE	TENSION ROD SPACER	PLATTE	PLAQUE
43	9096973000	4	KIT FISSAGGIO TIRANTI (8,10,39,42)	TENSION ROD FITTING KIT (8,10,39,42)	ZUGANKER FIXIERUNG SATZ (8,10,39,42)	KIT FIXAGE TIRANT (8,10,39,42)
0*#	L08603973	1	KIT GOMME ANTIOILIO BR601-651	BLADES OIL RESISTANT KIT BR601-651	SAUGLIPPEN OELSCHUTZ SATZ	KIT BAVETTE HYDROCARBURE



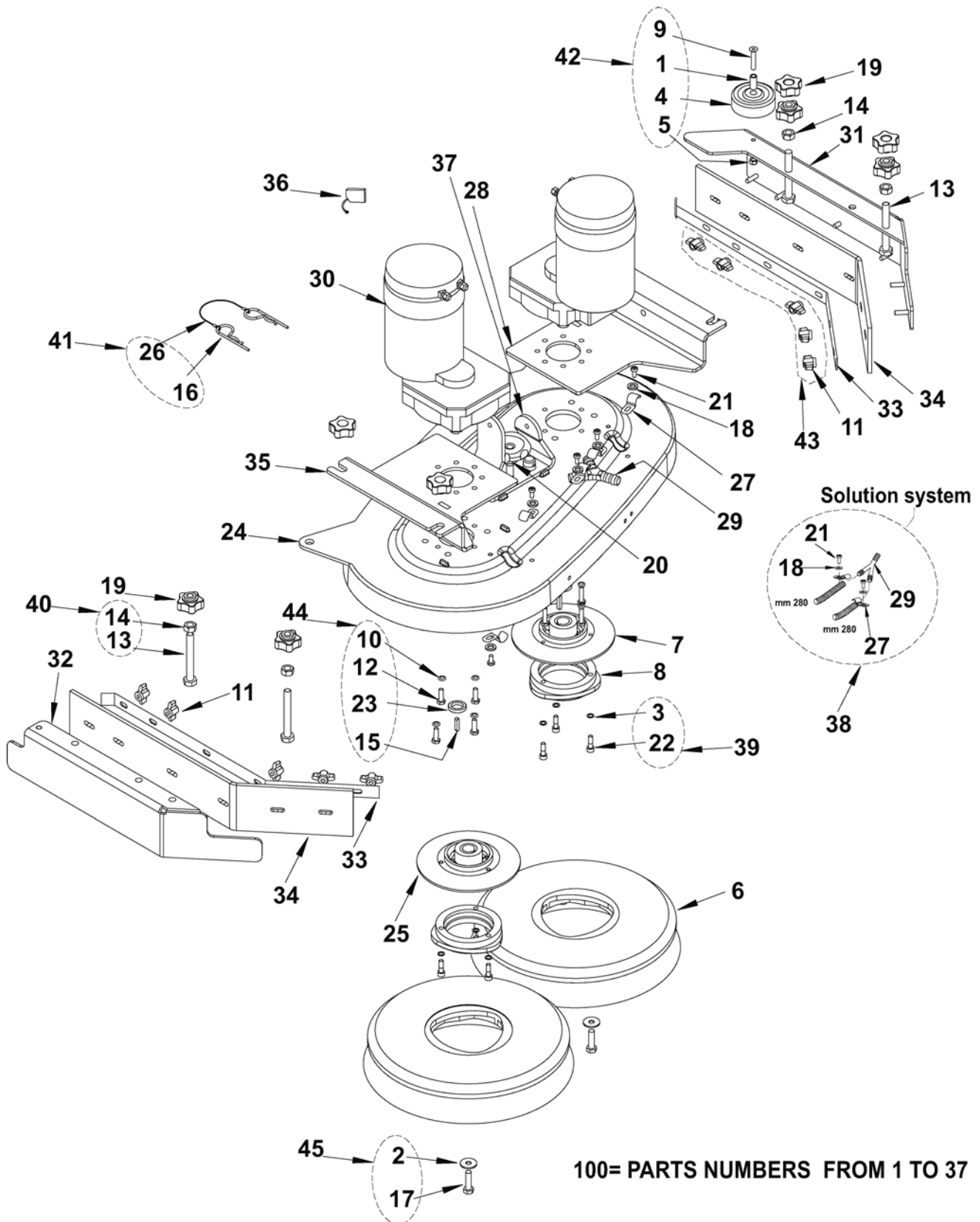
2005-10	GRUPPO TERGITORE / SQUEEGEE SYSTEM	BOOK E		
2007-10	BR 751 - 751C / EDS	E	17.3.1	33

Pos Item Bild Rép	Codice Ref. No. Art. Nr. Réf. No	Q.tà Qty Menge Qté	Descrizione	Description	Beschreibung	Désignation
1#	xxxxxxxxxx	2	DADO AUTOB BASSO M6	NUT SELF L. M6 UNI7474	MUTTER	ECROU
2#	xxxxxxxxxx	1	DADO ES BASSO M8	NUT HEX M8 UNI5589	MUTTER	ECROU
3#	L08601509	1	PERNO SUPPORTO TERGITORE	PIN, SQUEEGEE SUPPORT	STIFT	AXE
4	909 6223 000	1	VOLANTINO M8X45	HANDWHEEL M8X45	HANDRAD	MOLETTE
5	xxxxxxxxxx	1	DISTANZIALE Ø8XØ10X7	SPACER Ø8XØ10X7	ABSTANDSTUECK	ENTRETOISE
6#	xxxxxxxxxx	2	VITE TE TF M6X25	SCREW M6X25 UNI5739	SCHRAUBE	VIS
7#	xxxxxxxxxx	2	ROND PIANA M6	WASHER M6 UNI6592	BEILAGSCHEIBE	RONDELLE
8#	xxxxxxxxxx	4	DADO AUTOB BASSO M6 INOX	NUT SELF L. M6 UNI7474	MUTTER	ECROU
9	xxxxxxxxxx	2	DISTANZIALE 6,1X10X6,5	SPACER 6.1 X 10 X 6.5	ABSTANDSTUECK	ENTRETOISE
10	xxxxxxxxxx	4	VITE TE M8X45 INOX	SCREW HEX HD M8X45 SS	SCHRAUBE	VIS
11	909 6103 000	1	SUPPORTO TERGITORE	SQUEEGEE SUPPORT	HALTER	SUPPORT
12	909 6104 000	1	PIASTRA SUPPORTO TERGITORE	PLATE, SQUEEGEE SUPPORT	PLATTE	PLAQUE
13	9096944000	4	TIRANTE TERGITORE	TENSION ROD	ZUGANKER	TIRANT
14	xxxxxxxxxx	1	GANCIO PER TERGITORE	LATCH	HAKEN	CROCHET
15	909 5348 000	1	GOMMA TERGITORE ANTERIORE	BLADE FRONT	SAUGLIPPE VORNE	BAVETTE EMBOUCHURE AVANT
15*	909 5513 000	1	GOMMA TERG.ANT. ANTITRACCIA	NON MARKING FRONT BLADE	SPURLOSE SAUGLIPPE VORNE	BAVETTE EM. NON MARQUANTE
16#	L08602460	2	RUOTA PARACOLPI	ROLLER BUMPER	ABWEISROLLE	DEFLECTEUR
17#	L08603665	2	RUOTA TERGITORE	SQUEEGEE WHEEL	SAUGDUESENRAD	ROUE EMBOUCHURE
18	909 5487 000	1	CORPO TERGITORE	WELDMENT SQUEEGEE TOOL	SAUGDUESENKOERPER	CORPS EMBOUCHURE
19	xxxxxxxxxx	6	DADO E. BASSO AUTOBLOC.M5 INOX	NUT HEX LOW SELFLOCK. M5 SS	MUTTER	ECROU
20	xxxxxxxxxx	2	VITE TE M5X45 INOX	SCREW HEX HD M5X45 SS	SCHRAUBE	VIS
21#	L08603880	1	KIT RUOTA PARACOLPI TERGITORE	KIT SQUEEGEE BUMPER ROLLER	ABWEISROLLER SATZT	KIT DEFLECTEUR
22	xxxxxxxxxx	2	SUPPORTO RUOTA TERGITORE	BRACKET SQUEEGEE WHEEL	SAUGDUESENRAD HALTER	SUPPORT ROUE EMBOUCHURE
23	xxxxxxxxxx	2	DADO E.BASSO AUTOBL. M4 INOX	NUT HEX SELF LOCK M4 SS	MUTTER	ECROU
24	xxxxxxxxxx	2	VITE TCTC M4X10 INOX	SCREW M4X10 SS	SCHRAUBE	VIS
25	xxxxxxxxxx	11	GALLETTO DI FISSAGGIO M6	WING NUT M6	FLUEGELMUTTER	ECROU A PAPILLON
26	909 5350 000	1	GOMMA TERGITORE POSTERIORE	BLADE REAR	SAUGLIPPE HINTEN	BAVETTE EMBOUCHURE ARRIERE
27	xxxxxxxxxx	2	DISTANZIALE Ø6,3XØ9,5X21	SPACER Ø6,3XØ9,5X21	ABSTANDSTUECK	ENTRETOISE
28	909 5349 000	1	BANDELLA GOMMA ANTERIORE	STRAP FRONT	LEISTE VORNE	LONGERON AVANT
29	909 5352 000	1	BANDELLA GOMMA POST. DX	STRAP RIGHT REAR	LEISTE HINTEN RECHTS	LONGERON ARRIERE DROITE
30	909 5351 000	1	BANDELLA GOMMA POST. SX	STRAP LEFT REAR	LEISTE HINTEN LINKS	LONGERON ARRIERE GAUCHE
31#	L08603675	2	VOLANTINO DI FISSAGGIO TERGITORE	THUMB NUT SQUEEGEE FIXING	FLUEGELMUTTER	ECROU A PAPILLON
32	xxxxxxxxxx	4	VITE TE M5X20 INOX	SCREW HEX HD M5X20 SS	SCHRAUBE	VIS
33	909 5373 000	1	KIT TERGITORE BR 751	KIT SQUEEGEE BR 751	SAUGDUESEN SATZ BR 751	KIT EMBOUCHURE BR 751
34	xxxxxxxxxx	2	DISTANZIALE	SPACER	ABSTANDSTUECK	ENTRETOISE
35#	L08603879	1	KIT RUOTA TERGITORE	KIT SQUEEGEE WHEEL	SAUGDUESERAD SATZ	KIT ROUE EMBOCHURE
36	xxxxxxxxxx	2	VITE TSPEI M6X35	SCREW M6X35	SCHRAUBE	VIS
37	xxxxxxxxxx	2	RONDELLA PIANA 6X18 INOX	WASHER FLAT 6X18 SS	BEILAGSCHEIBE	RONDELLE
38	909 6394 000	1	KIT GANCIO TERGITORE (14,23,24)	SQUEEGEE LATCH KIT (14,23,24)	HAKEN SATZ (14,23,24)	KIT CROCHET (14,23,24)
39	xxxxxxxxxx	2	DISTANZIALE 8.2X16X6	SPACER 8.2X16X6	ABSTANDSTUECK	ENTRETOISE
40	145 9966 000	1	RONDELLA PIANA 10X21INOX	WASHER FLAT 10X21 SS	BEILAGSCHEIBE	RONDELLE
41	909 6397 000	1	KIT VITERIA (1,6,7,9)	SQUEEGEE SYSTEM HARDWARE KIT (1,6,7,9)	SCHRAUBEN SATZ (1,6,7,9)	KIT VIS (1,6,7,9)
42	909 6396 000	1	KIT FISSAGGIO VOLANTINO (2,5,40)	HANDWHEEL FITTING KIT (2,5,40)	HANDRAD FIXIERUNG SATZ (2,5,40)	KIT FIXAGE MOLETTE (2,5,40)
43	9096956000	1	PIASTRA TIRANTE	TENSION ROD SPACER	PLATTE	PLAQUE
44	9096973000	4	KIT FISSAGGIO TIRANTI (8,10,39,43)	TENSION ROD FITTING KIT (8,10,39,43)	ZUGANKER FIXIERUNG SATZ (8,10,39,43)	KIT FIXAGE TIRANT (8,10,39,43)
0*	909 5466 000	1	KIT GOMME ANTIOLO BR 751 - 751C	BLADES OIL RESISTANT KIT BR 751 - 751C	SAUGLIPPEN OELSCHUTZ SATZ	KIT BAVETTE HYDROCARBURE



2005-10	GRUPPO SPAZZOLE / BRUSHES SYSTEM	BOOK E		
2007-10	BR 601 / 651 / 751 / EDS	E	17.3.1	35

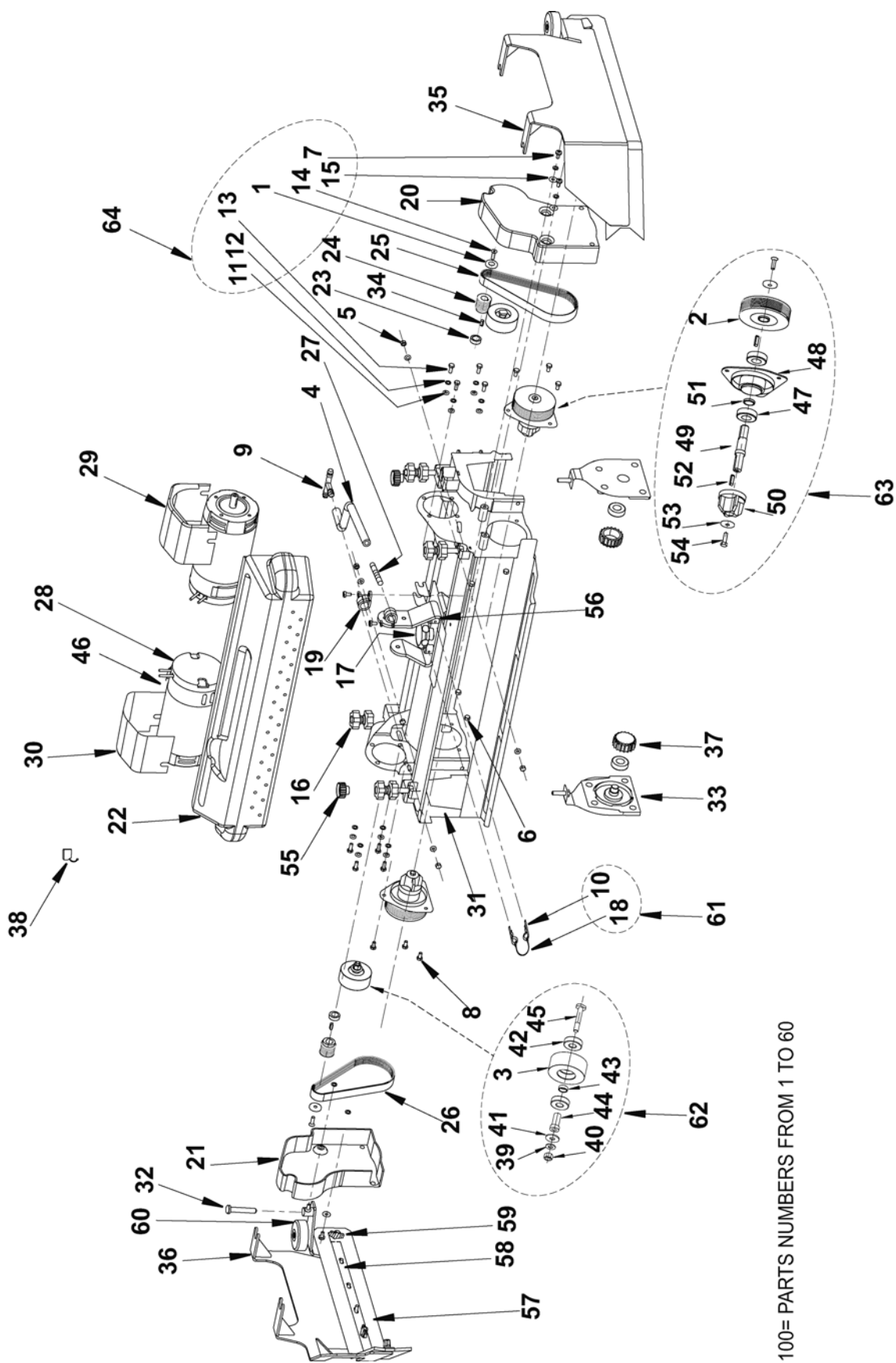
Pos Item Bild Rép	Codice Ref. No. Art. Nr. Réf. No	Q.tà Qty Menge Qté	Descrizione	Description	Beschreibung	Désignation
100	909 6342 000	1	KIT TESTATA BR601	BRUSH DECK KIT BR601	BUERSTEN SATZ BR601	KIT BROSSE BR601
100	909 6343 000	1	KIT TESTATA BR651	BRUSH DECK KIT BR651	BUERSTEN SATZ BR651	KIT BROSSE BR651
100	909 6344 000	1	KIT TESTATA BR751	BRUSH DECK KIT BR751	BUERSTEN SATZ BR751	KIT BROSSE BR751
1	xxxxxxxxxx	1	DISTANZIALE	SPACER	ABSTANDSTUECK	ENTRETOISE
2	xxxxxxxxxx	2	RONDELLA PIANA 8X24 INOX	WASHER FLAT 8X24 SS	BEILAGSCHEIBE 8X24	RONDELLE 8X24
3	xxxxxxxxxx	6	RONDELLA M6	WASHER M6	BEILAGSCHEIBE M6	RONDELLE M6
4#	L08602460	1	RUOTA PARACOLPI	ROLLER BUMPER	ABWEISROLLE	DEFLECTEUR
5	xxxxxxxxxx	1	DADO ES. BASSO M6 AUTOBL. INOX	NUT HEX LOW M6 SELFLOCK. SS	MUTTER	ECROU
6	xxxxxxxxxx	2	SPAZZOLA Ø 305	BRUSH Ø 305	BUERSTE	BROSSE
6	xxxxxxxxxx	2	SPAZZOLA Ø 330	BRUSH Ø 330	BUERSTE	BROSSE
6	xxxxxxxxxx	2	SPAZZOLA Ø 370	BRUSH Ø 370	BUERSTE	BROSSE
7#	L08812306	1	MOZZO MOTORIDUTTORE SPAZZOLA DX	HUB, BRUSH RIGHT RED. GEARMOTOR	NABE, VERMINDERUNGSGETR. RECHT	MOYEU MOTORED. BROS. DROITE
8#	L08812480	2	MOZZO SPAZZOLA	HUB	NABE	MOYEU
9#	xxxxxxxxxx	2	VITE TPSEI TF M6X3	SCREW M6X35 UNI5933	SCHRAUBE	VIS
10	xxxxxxxxxx	8	RONDELLA DENTATA A D. 6 INOX	WASHER SS	BEILAGSCHEIBE	RONDELLE
11	xxxxxxxxxx	10	GALLETTO DI FISSAGGIO M6	WING NUT M6	FLUEGELMUTTER	ECROU A PAPILLON
12	xxxxxxxxxx	8	VITE TE M6X20 INOX	SCREW HEX HD M6X20 SS	SCHRAUBE	VIS
13#	xxxxxxxxxx	4	VITE TE TF M10X80	SCREW M10X80 UNI5739	SCHRAUBE	VIS
14	xxxxxxxxxx	4	DADO E. M10 INOX	NUT M10 SS	MUTTER	ECROU
15	xxxxxxxxxx	2	LINGUETTA 5X5X25	TAB 5X5X25	KEIL	CLAVETTE
16	xxxxxxxxxx	2	COPIGLIA 3	SPLIT PIN 3	SPLINT	GOUPILLE
17	xxxxxxxxxx	2	VITE TE M8X30 INOX	SCREW HEX HD M8X30 SS	SCHRAUBE	VIS
18	33005875	6	RONDELLA PIANA 6X12,5 INOX	WASHER FLAT 6X12,5 SS	BEILAGSCHEIBE 6X12,5	RONDELLE 6X12,5
19	146 1036 000	8	VOLANTINO M10	HANDWHEEL M10	HANDRAD	MOLETTE
20	146 1037 000	1	VOLANTINO	HANDWHEEL	HANDRAD	MOLETTE
21	909 6266 000	6	VITE TCTC M6X10 INOX	SCREW M6X10 SS	SCHRAUBE	VIS
22	xxxxxxxxxx	6	VITE TCEI M6X20 INOX CON LOCTITE	SCREW M6X20 SS	SCHRAUBE	VIS
23	xxxxxxxxxx	2	DISTANZIALE	SPACER	ABSTANDSTUECK	ENTRETOISE
24	909 5344 000	1	TESTATA SPAZZOLA 600	BRUSH DECK 600	BUERSTENHALTER 600	PLAQUE SUP. DE BROSSE 600
24	909 5226 000	1	TESTATA SPAZZOLA 650	BRUSH DECK 650	BUERSTENHALTER 650	PLAQUE SUP. DE BROSSE 650
24	909 6250 000	1	TESTATA SPAZZOLA 750	BRUSH DECK 750	BUERSTENHALTER 750	PLAQUE SUP. DE BROSSE 750
25#	L08603822	1	MOZZO MOTORIDUTTORE SPAZZOLA SX	HUB, BRUSH LEFT RED. GEARMOTOR	NABE, VERMINDERUNGSGETR. LINKS	MOYEU MOTORED. BROS. GAUCHE
26	xxxxxxxxxx	1	CAVO ACCIAIO DI RITEGNO	CABLE, STAINLESS STEEL	STAHLKABEL	CABLE ACIER
27	909 5483 000	6	CAVALLOTTO Ø 16	CLAMP Ø 16	VERBINDUNGSBRUECKE Ø 16	CAVALLOTTO Ø 16
28	909 6163 000	1	STAFFA SUPPORTO MOTORIDUTTORE DX (TESTATE SPAZZOLE 600-650)	DECK MOTOR BRACKET RIGHT (BRUSH DECK 600-650)	RECHTE BUEGEL (BUERSTENHALTER 600-650)	BRIDE DROITE (BROSSE 600-650)
28	909 6166 000	1	STAFFA SUPPORTO MOTORIDUTTORE DX (TESTATE SPAZZOLE 750)	DECK MOTOR BRACKET RIGHT (BRUSH DECK 750)	RECHTE BUEGEL (BUERSTENHALTER 750)	BRIDE DROITE (BROSSE 750)



100= PARTS NUMBERS FROM 1 TO 37

2005-10	GRUPPO SPAZZOLE / BRUSHES SYSTEM	BOOK E		
	BR 601 / 651 / 751 / EDS	E	17.3.1	37

Pos Item Bild Rép	Codice Ref. No. Art. Nr. Réf. No	Q.tà Qty Menge Qté	Descrizione	Description	Beschreibung	Désignation
29	909 6164 000	1	RACCORDO PORTATUBO A Y Ø 13	ELBOW Ø13	ELBOGEN	RACCORD
30	909 6165 000	2	MOTORIDUTTORE 400W 24V	REDUCTIONGEAR MOTOR		MOTOREDUCTEUR
31	909 6168 000	1	SUPPORTO FLAP DX	RIGHT SKIRT SUPPORT	RECHTE HALTER	SUPPORT DROITE
32	909 6169 000	1	SUPPORTO FLAP SX	LEFT SKIRT SUPPORT	LINKE HALTER	SUPPORT GAUCHE
33	909 6170 000	2	PIATTINA FLAP LATERALE	SIDE SKIRT PLATE	SEITEN PLATTE	PLAQUE
34	909 6172 000	2	FLAP LATERALE	SIDE SKIRT	SEITEN SPRITZGUMMI	BAVETTE LATERAL
35	909 6220 000	1	STAFFA SUPPORTO MOTORIDUTTORE SX (TESTATA SPAZZOLE 600- 650)	DECK MOTOR BRACKET LEFT (BRUSH DECK 600- 650)	LINKE BUEGEL (BUERSTENHALTER 600- 650)	BRIDE GAUCHE (BROSSE 600-650)
35	909 6167 000	1	STAFFA SUPPORTO MOTORIDUTTORE SX (TESTATA SPAZZOLE 750)	DECK MOTOR BRACKET LEFT (BRUSH DECK 750)	LINKE BUEGEL (BUERSTENHALTER 750)	BRIDE GAUCHE (BROSSE 750)
36	909 5877 000	2	KIT CARBONCINI (4 PZ)	CARBON BRUSH KIT (4 PCS)	KOHLENBUERSTE SATZ (4 PCS)	CHARBON KIT (4 PCS)
37	909 6162 000	1	STAFFA TESTATA SPAZZOLE	BRACKET	BUEGEL	SUPPORT
38	909 6351 000	1	KIT TUBO ACQUA TESTATA (18,21,27,29)	BRUSH DECKWATER HOSE KIT (18,21,27,29)	BUERSTENHALTERSCHLAUCH SATZ (18,21,27,29)	KIT TUYAUPLAQUE SUPPORT BROSSE (18,21,27,29)
39	909 6352 000	2	KIT FISSAGGIO MOZZO (3,22)	HUB FITTING KIT (3,22)	NABE FIXIERUNG SATZ (3,22)	KIT FIXAGE MOYEU (3,22)
40	909 6353 000	1	KIT FISSAGGIO FLAP LATERALE (13,14)	SIDE SKIRT FITTING KIT (13,14)	SEITEN PLATTE FIXIERUNG SATZ (13,14)	KIT FIXAGE BAVETTE LATERAL (13,14)
41	909 6354 000	1	KIT COPIGLIA (16,26)	SPLIT PIN KIT (16,26)	SPLINT SATZ (16,26)	KIT GOUPILLE (16,26)
42	909 6355 000	1	KIT FISSAGGIO RUOTA PARACOLPI (1,4,5,9)	ROLLER BUMPER FITTING KIT (1,4,5,9)	ABWEISROLLE FIXIERUNG SATZ (1,4,5,9)	KIT FIXAGE DEFLECTEUR (1,4,5,9)
43	909 6356 000	2	KIT GALLETTI DI FISSAGGIO - 5 PEZZI (11)	WING NUTS KIT - 5 PCS (11)	FLUEGELMUTTER SATZ - 5 PCS (11)	KIT ECROU A PAPILLON - 5 PCS (11)
44	909 6357 000	1	KIT FISSAGGIO MOTORIDUTTORE (10,12,15,23)	REDUCTIONGEAR MOTOR FITTING KIT (10,12,15,23)	VERMINDERUNGSGETRIEBE FIXIERUNG SATZ (10,12,15,23)	KIT FIXAGE MOTOREDUCTEUR (10,12,15,23)
45	909 6358 000	1	KIT VITERIA (2,17)	BRUSH DECK HARDWARE KIT (2,17)	SCHRAUBEN SATZ (2,17)	KIT VIS (2,17)
0	909 6179 000	1	CABLAGGIO TESTATA SPAZZOLE A DISCO	HARNESS BRUSH DECK	KABELVERBIND.	CABLAGE



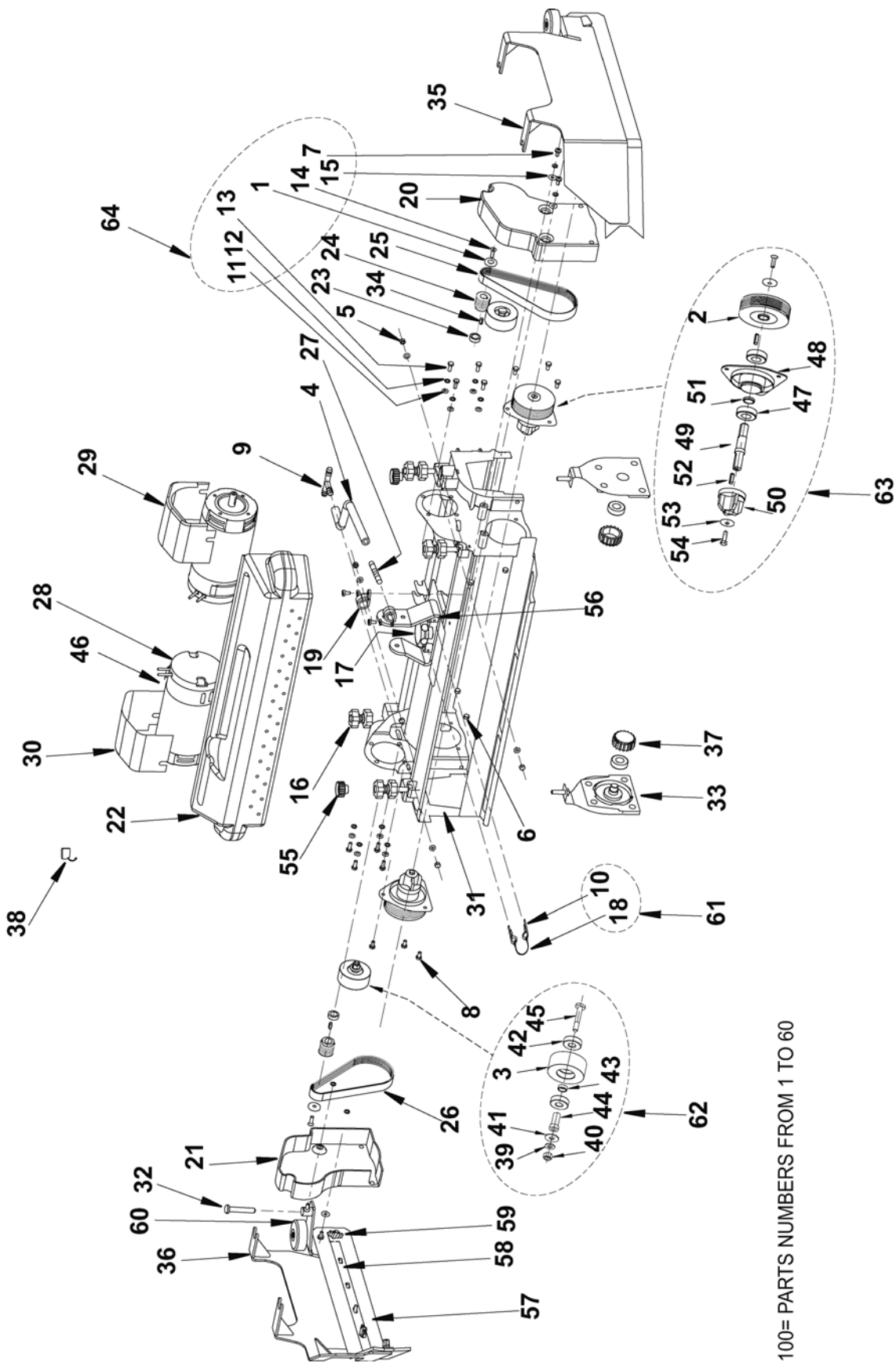
100= PARTS NUMBERS FROM 1 TO 60

2005-10	GRUPPO SPAZZOLE CIL. / CYL. BRUSHES SYSTEM	BOOK E	
2007-10	BR 751C / EDS	E	17.3.1 39

Pos Item Bild Rép	Codice Ref. No. Art. Nr. Réf. No	Q.tà Qty Menge Qté	Descrizione	Description	Beschreibung	Désignation
100	909 6345 000	1	KIT TESTATA CILINDRICA	CYL. BRUSH DECK KIT	ZYL. BUERSTEN SATZ	KIT BROSSE CYL.
1	xxx xxxx xxx	4	DISTANZIALE	SPACER	ABSTANDSTUECK	ENTRETOISE
2A	909 5759 000	2	PULEGGIA	PULLEY	SCHEIBE	POULIE
2B	909 6730 000	2	PULEGGIA	PULLEY	SCHEIBE	POULIE
3	909 5762 000	2	RULLO TENDICINGHIA	ROLLER	ROLLE	ROULEAU
4	909 5141 000	1	TUBO	HOSE	SCHLAUCH	TUYAU
5	33005604	4	DADO ES. BASSO M6 AUTOBL.	NUT HEX LOW M6 SELFLOCK.	MUTTER	ECROU
6#	L08603682	6	DADO ES. BASSO M6 AUTOBL. INOX	NUT HEX LOW M6 SELFLOCK. SS	MUTTER	ECROU
7	xxxxxxxxxxx	6	VITE TCTC M6X12	SCREW M6X12	SCHRAUBE	VIS
8	145 0498 000	6	VITE TE M6X12 INOX	SCREW M6X12 SS	SCHRAUBE	VIS
9	145 4366 000	1	RACCORDO A T	PIPE HOLDER	GUMMIHALTER	RACCORD
10	xxxxxxxxxxx	2	COPIGLIA 3	SPLIT PIN 3	SPLINT	GOUPILLE
11#	xxxxxxxxxxx	14	ROND PIANA M6	WASHER M6 UNI6592	BEILAGSCHEIBE	RONDELLE
12#	xxxxxxxxxxx	12	ROND GROWER M6	WASHER M6 UNI1751B	BEILAGSCHEIBE	RONDELLE
13#	xxxxxxxxxxx	12	VITE TE TF M6X16	SCREW M6X16 UNI5739	SCHRAUBE	VIS
14#	xxxxxxxxxxx	4	VITE TPSEI TF M6X20	SCREW M6X20 UNI5933	SCHRAUBE	VIS
15#	xxxxxxxxxxx	4	ROND PIANA 6X18	WASHER 6X18 UNI6592	BEILAGSCHEIBE	RONDELLE
16	146 1036 000	8	VOLANTINO M10	HANDWHEEL M10	HANDRAD M10	MOLETTE M10
17	146 1037 000	1	VOLANTINO	HANDWHEEL	HANDRAD	MOLETTE
18	xxx xxxx xxx	1	CAVO ACCIAIO DI RITEGNO	CABLE SS	STAHLKABEL	CABLE ACIER
19	909 5516 000	2	FASCETTA FERMATUBO Ø 18	CABLE CLAMP Ø 18	SHELLE	COLLIER
20A	909 5724 000	1	CARTER PROT. CINGHIA DX	CRANKCASE BELT PROTECT. RIGHT	GEHAUSE RECHT	PROTECTION DROITE
20B	909 6785 000	1	CARTER PROT. CINGHIA DX	CRANKCASE BELT PROTECT. RIGHT	GEHAUSE RECHT	PROTECTION DROITE
21A	909 5725 000	1	CARTER PROT. CINGHIA SX	CRANKCASE BELT PROTECT. LEFT	GEHAUSE LINKS	PROTECTION GAUCHE
21B	909 6785 000	1	CARTER PROT. CINGHIA SX	CRANKCASE BELT PROTECT. LEFT	GEHAUSE LINKS	PROTECTION GAUCHE
22	909 6225 000	1	CASSETTO RIFIUTI	DIRT CONTAINER	SCHMUTZBEHAELTER	BAC A DECHET
23	909 5754 000	2	DISTANZIALE Ø14XØ22X8	SPACER Ø14XØ22X8	ABSTANDSTUECK	ENTRETOISE
24	909 5758 000	2	PULEGGIA POLY-V	PULLEY	SCHEIBE	POULIE
25A	909 5760 000	1	CINGHIA POLY-V DX	BELT POLY-V RIGHT	RIEMEN RECHT	COURROIE DROITE
25B	909 5761 000	1	CINGHIA POLY-V DX	BELT POLY-V RIGHT	RIEMEN RECHT	COURROIE DROITE
26A	909 5761 000	1	CINGHIA POLY-V SX	BELT POLY-V LEFT	RIEMEN LINK	COURROIE GAUCHE
26B	909 6731 000	1	CINGHIA POLY-V SX	BELT POLY-V LEFT	RIEMEN LINK	COURROIE GAUCHE
27	9096953000	1	RACCORDO PORTAGOMMA	FITTING	ANSCHLUß	RACCORD
28	909 5774 000	2	MOTORE ELETTRICO 24V 600W	ELECTRIC MOTOR 24V 600W	ELEKTRISCHE MOTOR	MOTEUR ELECTRIQUE
29	909 5802 000	1	CARTER PROT. MOTORE DX	CRANKCASE MOTOR PROT. RIGHT	MOTOR SCHUTZGEH. RECHT	PROTECTION MOTEUR DROITE
30	909 5803 000	1	CARTER PROT. MOTORE SX	CRANKCASE MOTOR PROT. LEFT	MOTOR SCHUTZGEH.LINKS	PROTECTION MOTEUR GAUCHE
31	909 6189 000	1	TELAIO TESTATA CILINDRICA	CYLINDRICAL BRUSH DECK FRAME	BUERSTENHALTER	BROSSE SUPPORT
32	909 6191 000	2	PERNO	PIN	STIFT	AXE
33	909 6190 000	2	SUPPORTO SPAZZOLA	BRUSH SUPPORT	HALTER	SUPPORT
34	146 1017 000	2	LINGUETTA	TAB	KEIL	CLAVETTE
35	909 6192 000	1	SUPPORTO FLAP DX	RIGHT SKIRT SUPPORT	RECHTE HALTER	SUPPORT DROITE
36	909 6193 000	1	SUPPORTO FLAP SX	LEFT SKIRT SUPPORT	LINKE HALTER	SUPPORT GAUCHE
37	56407551	1	MOZZO	HUB	NABE	MOYEU
38#	L08603949	2	SET CARBONCINI (4 PZ)	CARBON BRUSH SET (4 PCS)	KOHLNBUERSTE SATZ (4 STK)	KIT CHARBONS (4 PCS)

A: FOR MACHINES TILL S/N **063719996**
B: FOR MACHINES STARTING S/N **063719997**

909 6161 000(4)2007-10

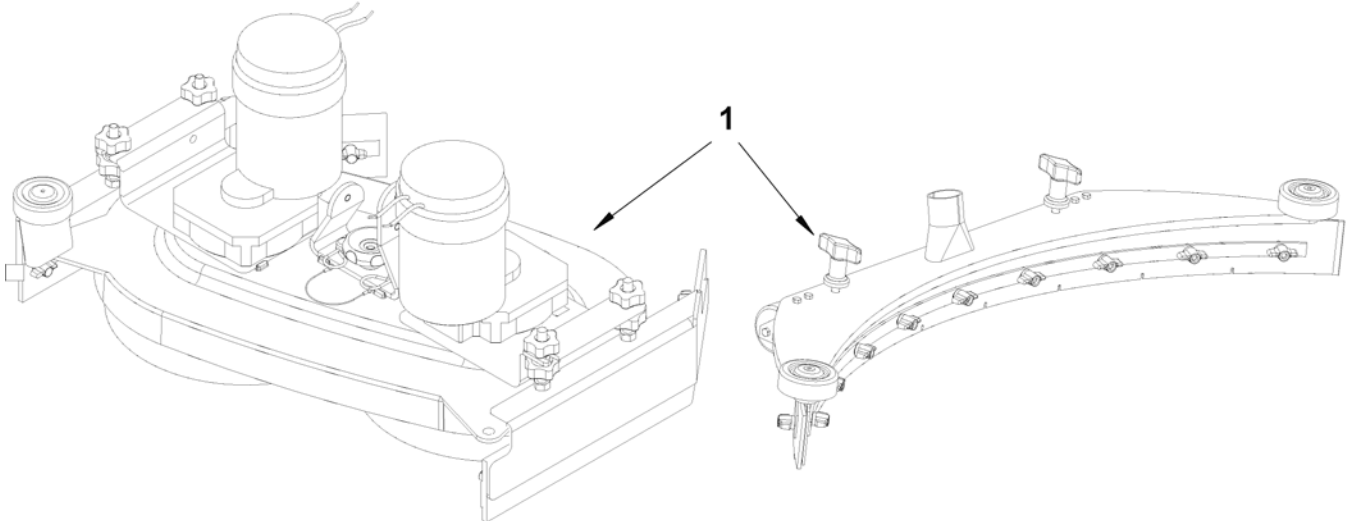


100= PARTS NUMBERS FROM 1 TO 60

2005-10	GRUPPO SPAZZOLE CIL. / CYL. BRUSHES SYSTEM	BOOK E		
2007-10	BR 751C / EDS	E	17.3.1	41

Pos Item Bild Rép	Codice Ref. No. Art. Nr. Réf. No	Q.tà Qty Menge Qté	Descrizione	Description	Beschreibung	Désignation
39#	xxxxxxxxxx	2	RONDELLA PIANA M8	WASHER M8 UNI6592	BEILAGSCHEIBE	RONDELLE
40	xxxxxxxxxx	2	DADO E.BASSO AUTOBL.M8	NUT HEX LOW SELFLOCK M8	MUTTER	ECROU
41#	xxxxxxxxxx	2	ROND GREMB 8X24X2	WASHER 8X24 UNI6592	BEILAGSCHEIBE	RONDELLE
42	xxxxxxxxxx	4	CUSCINETTO	BEARING	LAGER	ROULEMENT
43	xxxxxxxxxx	2	DISTANZIALE	SPACER	ABSTANDSTUECK	ENTRETOISE
44	xxxxxxxxxx	2	PERNO CON COLLARE	PIN	STIFT	AXE
45	xxxxxxxxxx	2	PERNO FILETTATO	PIN THD FORM	STIFT	AXE
46	909 5957 000	4	PIPETTA IN GOMMA	RUBBER PIPETTE	RUBBER PIPETTE	PIPETTE
47	xxxxxxxxxx	6	CUSCINETTO	BEARING	LAGER	ROULEMENT
48	xxxxxxxxxx	2	SUPPORTO PULEGGIA SPAZZOLA	PULLEY SUPPORT	HALTER	SUPPORT
49	xxxxxxxxxx	2	PERNO PULEGGIA SPAZZOLA	PIN BRUSH PULLEY	STIFT	AXE
50	909 5728 000	2	MOZZO SPAZZOLA	BRUSH HUB	NABE	MOYEU
51	xxxxxxxxxx	2	DISTANZIALE Ø15XØ20X4	SPACER Ø15XØ20X4	ABSTANDSTUECK	ENTRETOISE
52	xxxxxxxxxx	4	CHIAVETTA 5X5X20	KEY 5X5X20	KEILNUT	CLAVETTE
53	xxxxxxxxxx	2	RONDELLA PIANA 6X24 INOX	WASHER FLAT 6X24 SS	BEILAGSCHEIBE	RONDELLE
54	xxxxxxxxxx	2	VITE TE M6X20 INOX	SCREW HEX. HD M6X20 SS	SCHRAUBE	VIS
55	909 5964 000	2	VOLANTINO M8	HANDWHEEL M8	HANDRAD M8	MOLETTE M8
56	909 6162 000	1	STAFFA TESTATA SPAZZOLE	BRACKET	BUEGEL	SUPPORT
57	909 6194 000	2	FLAP LATERALE	SIDE SKIRT	SEITEN SPRITZGUMMI	BAVETTE LATERAL
58	909 6195 000	2	PIATTINA FLAP LATERALE	SIDE SKIRT PLATE	SEITEN PLATTE	PLAQUE
59	xxxxxxxxxx	10	GALLETTO DI FISSAGGIO M6	WING NUT M6	FLUEGELMUTTER	ECROU A PAPILLON
60#	L08602460	2	RUOTA PARACOLPI	ROLLER BUMPER	ABWEISROLLE	DEFLECTEUR
61	909 6354 000	1	KIT COPIGLIA (10,18)	SPLIT PIN KIT (10,18)	SPLINT SATZ (10,18)	GOUPILLE KIT (10,18)
62	909 6360 000	2	KIT RULLO TENDICINGHIA (3,39,40,41,42,43,44,45)	ROLLER KIT (3,39,40,41,42,43,44,45)	ROLLE SATZ (3,39,40,41,42,43,44,45)	KIT ROULEAU (3,39,40,41,42,43,44,45)
63	909 6361 000	2	KIT PULEGGIA (2,47,48,49,50,51,52,53,54)	PULLEY KIT (2,47,48,49,50,51,52,53,54)	SCHEIBE SATZ (2,47,48,49,50,51,52,53,54)	KIT POULIE (2,47,48,49,50,51,52,53,54)
64	909 6362 000	1	KIT VITERIA (1,7,11,12,13,14,15)	CYL. BRUSH DECK HARDWARE KIT (1,7,11,12,13,14,15)	SCHRAUBEN SATZ (1,7,11,12,13,14,15)	KIT VIS (1,7,11,12,13,14,15)
0	909 6196 000	1	CABLAGGIO TESTATA SPAZZOLE CILINDRICHE	HARNESS CYL. BRUSH DECK	KABELVERBIND.	CABLAGE

Item	Ref. No.	Qty	Description
1	909 6152 000	1	BR 601 Brush Deck kit complete with squeegee
1	909 6153 000	1	BR 651 Brush Deck Kit complete with squeegee
1	909 6154 000	1	BR 751 Brush Deck Kit complete with squeegee



BR 601 BRUSHES

- L08603842 - Prolene
- L08603873 - Midgrit 240
- L08603872 - Midlite Grit 180
- L08603874 - Prolite
- L08603875 - Union Mix
- L08603939 - Pad holder kit

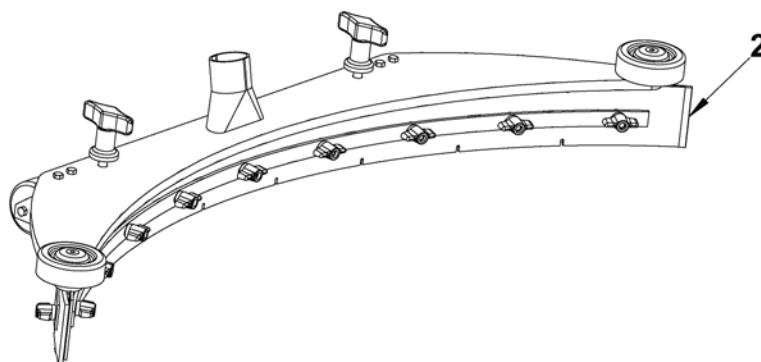
BR 651 BRUSHES

- 909 5332 000 - Prolene
- 909 5334 000 - Midgrit 240
- 909 5336 000 - Midlite Grit 180
- 909 5338 000 - Prolite
- 909 5340 000 - Union Mix
- 909 5330 000 - Pad holder kit

BR 751 BRUSHES

- 909 5333 000 - Prolene
- 909 5335 000 - Midgrit 240
- 909 5337 000 - Midlite Grit 180
- 909 5339 000 - Prolite
- 909 5341 000 - Union Mix
- 909 5331 000 - Pad holder kit

Item	Ref. No.	Qty	Description
2	909 5372 000	1	BR 601 - BR 651 Squeegee kit
2	909 5373 000	1	BR 751 Squeegee kit



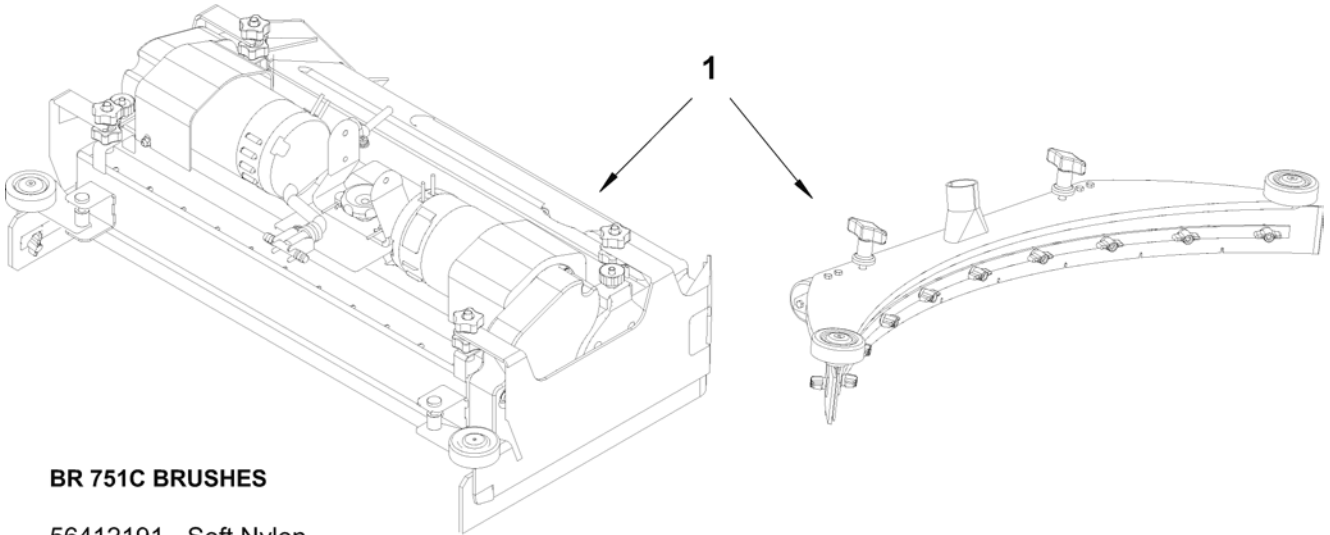
BR 601-BR 651 Squeegee Blades

- L08603830 - Front blade standard
- L08603832 - Rear blade standard
- L08603973 - Oil resistant blade kit
- 909 5629 000 - Non marking front blade

BR 751 Squeegee Blades

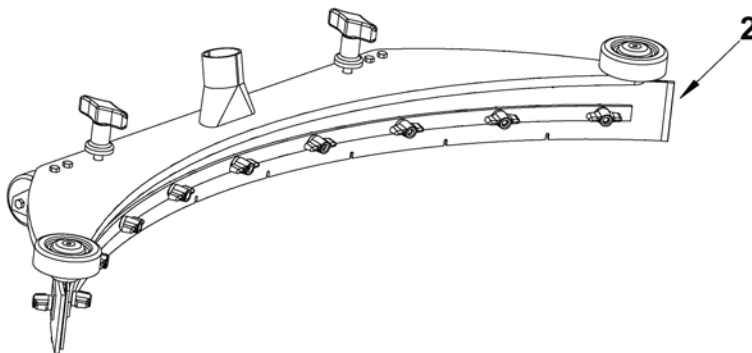
- 909 5348 000 - Front blade std
- 909 5350 000 - Rear blade std
- 909 5466 000 - Oil resistant blade kit
- 909 5513 000 - Non marking front blade

Item	Ref. No.	Qty	Description
1	909 6155 000	1	BR 751C Cylindrical Deck Kit complete with squeegee

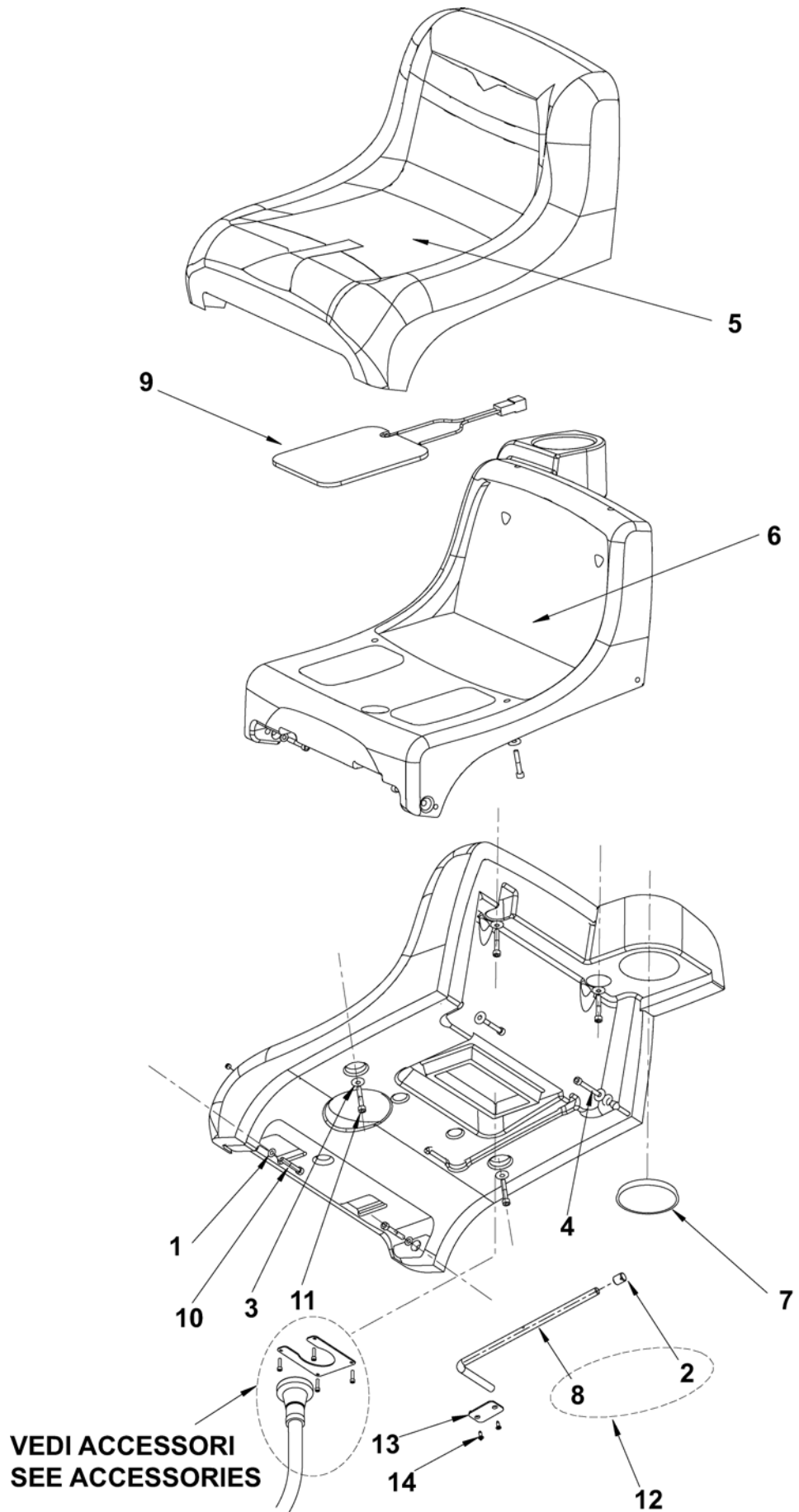
**BR 751C BRUSHES**

56412191 - Soft Nylon
 56412192 - Hard Nylon
 56412046 - Prolene
 56412193 - 180 Grit
 56412194 - 80 Grit
 56412195 - 46 Grit

Item	Ref. No.	Qty	Description
2	909 5373 000	1	BR 751C Squeegee kit

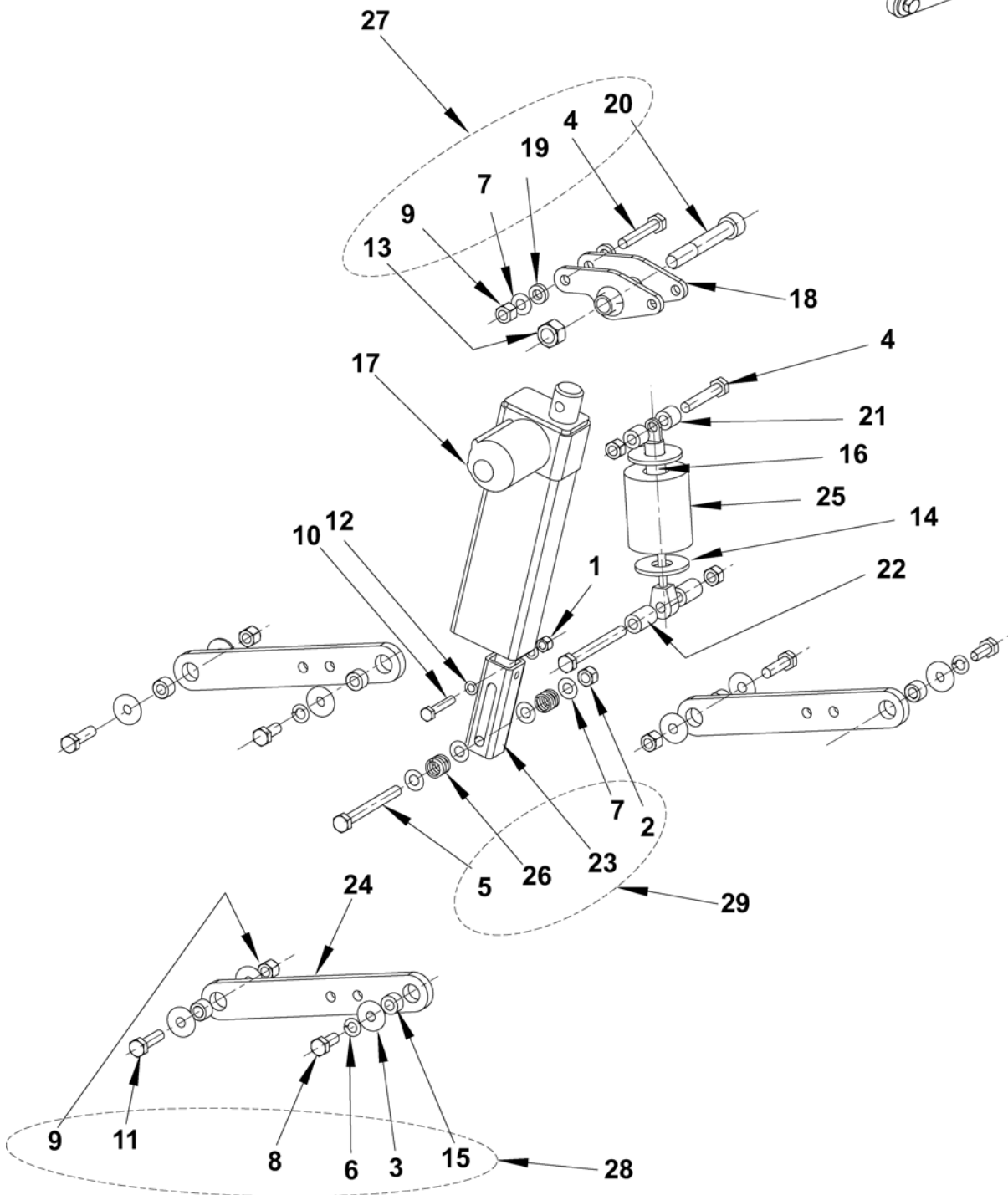
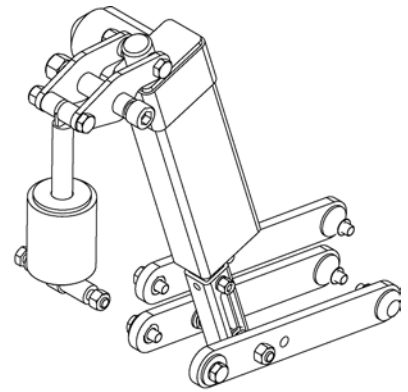
**BR 751C Squeegee Blades**

909 5348 000 - Front blade standard
 909 5350 000 - Rear blade standard
 909 5466 000 - Oil resistant blade kit
 909 5513 000 - Non marking front blade



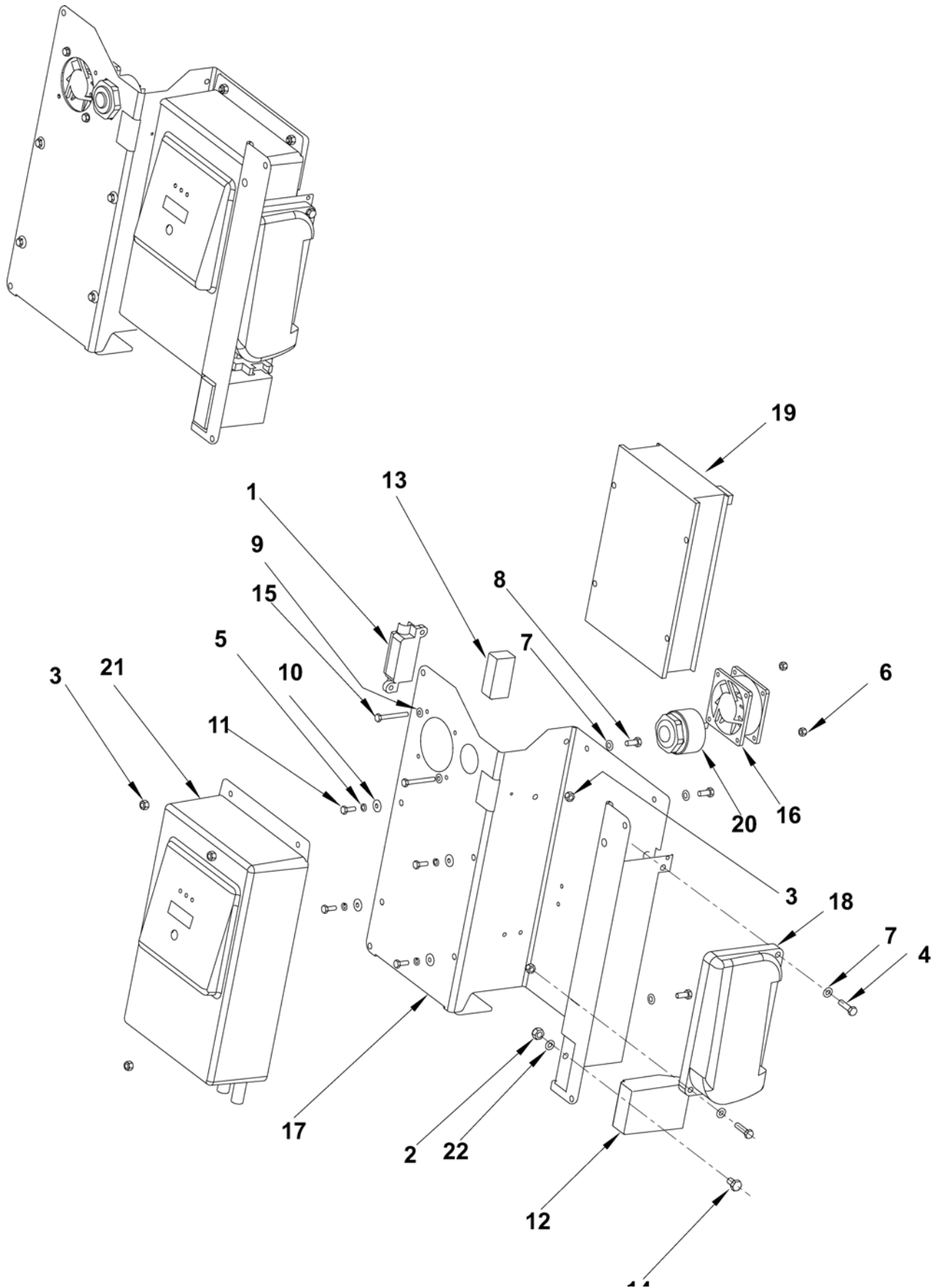
2005-10	GRUPPO SEDILE / SEAT ASSEMBLY	BOOK E		
2007-10	BR 601 / 651 / 751 - 751C / EDS	E	17.3.1	45

Pos Item Bild Rép	Codice Ref. No. Art. Nr. Réf. No	Q.tà Qty Menge Qté	Descrizione	Description	Beschreibung	Désignation
1#	xxxxxxxxxx	2	ROND PIANA M6	WASHER M6 UNI6592	BEILAGSCHEIBE	RONDELLE
2	xxxxxxxxxx	1	TAPPO NERO	BLACK CAP	PFROPFEN	BOUCHON
3#	xxxxxxxxxx	6	ROND GREMB 6X18X1,5 INOX	WASHER 6X18X1,5 UNI6593	BEILAGSCHEIBE	RONDELLE
4	xxxxxxxxxx	2	VITE TCEI M6X45	SCREW M6X45	SCHRAUBE	VIS
5	909 5897 000	1	SEDILE	SEAT	SITZ	SIEGE
6	909 5898 000	1	SUPPORTO SEDILE	SEAT SUPPORT	HALTER	SUPPORT
7	909 6098 000	1	TAPPO Ø 85	CAP Ø 85	PFROPFEN	BOUCHON
8	xxxxxxxxxx	1	LEVA BLOCCO COFANO SEDILE	LEVER	HEBEL	LEVIER
9	909 6242 000	1	MICROINTERRUTTORE SEDILE	MICROSWITCH	MIKROSCHALTER	MICROINTERRUPTEUR
10	xxxxxxxxxx	2	VITE TCEI M6X40 INOX	SCREW M6X40 SS	SCHRAUBE	VIS
11#	xxxxxxxxxx	4	VITE TCEI M6X35	SCREW M6X35 UNI5931	SCHRAUBE	VIS
12	909 6383 000	1	KIT FISSAGGIO LEVA (2,8)	LEVER FITTING KIT (2,8)	HEBEL FIXIERUNG SATZ (2,8)	KIT FIXAGE LEVIER (2,8)
13	909 6473 000	1	PIASTRA FISSAGGIO LEVA SUPPORTO SEDILE	LEVER FIXING PLATE	PLATTE	PLAQUE
14	145 1756 000	2	VITE TSPTC 2,9X9,5 INOX	SCREW 2,9X9,5 SS	SCHRAUBE	VIS
0	909 6384 000	1	KIT VITERIA (1,3,4,10,11)	SEAT ASSY HARDWARE KIT (1,3,4,10,11)	SCHRAUBEN SATZ (1,3,4,10, 11)	KIT VIS (1,3,4,10,11)



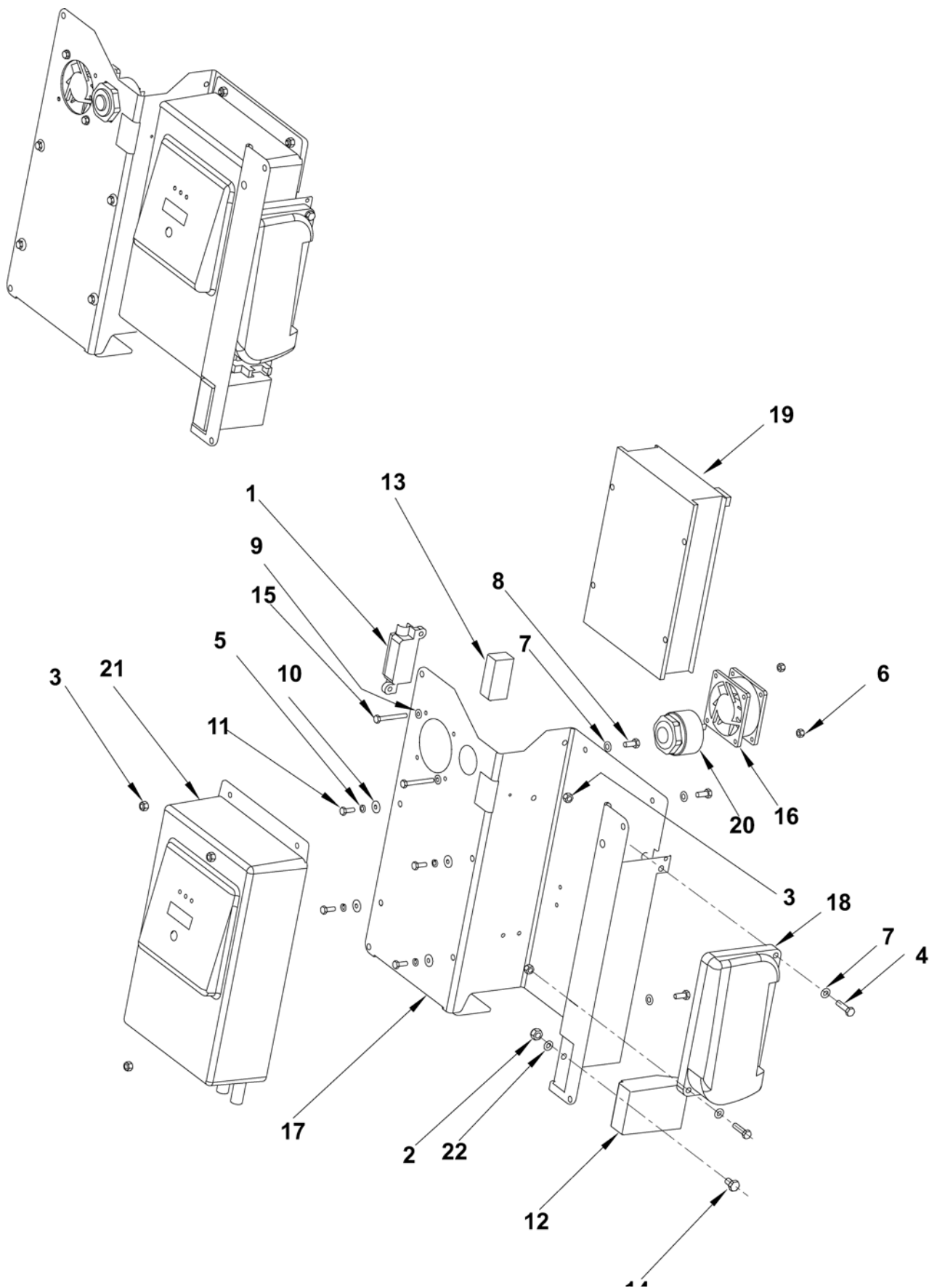
2005-10	GRUPPO SOLLEV. TEST. / BRUSH DECK LIFTING SYST.	BOOK E		
2007-10	BR 601 / 651 / 751 - 751C / EDS	E	17.3.1	47

Pos Item Bild Rép	Codice Ref. No. Art. Nr. Réf. No	Q.tà Qty Menge Qté	Descrizione	Description	Beschreibung	Désignation
1#	xxxxxxxxxx	1	DADO AUTOB M6	NUT SELF L. M6 UNI7473	MUTTER	ECROU
2	xxxxxxxxxx	3	DADO E. BASSO M8 AUTOBL.	NUT HEX LOW M8 SELFLOCK.	MUTTER	ECROU
3	xxxxxxxxxx	9	RONDELLA PIANA 8X24	WASHER FLAT 8X24	BEILAGSCHEIBE	RONDELLE
4#	xxxxxxxxxx	2	VITE TE TF M8X50	SCREW M8X50 UNI5739	SCHRAUBE	VIS
5	xxxxxxxxxx	2	VITE TE M8X80	SCREW HEX. HD M8X80	SCHRAUBE	VIS
6#	xxxxxxxxxx	3	ROND GROWER M8	WASHER M8 UNI1751B	BEILAGSCHEIBE	RONDELLE
7#	xxxxxxxxxx	5	ROND PIANA M8	WASHER M8 UNI6592	BEILAGSCHEIBE	RONDELLE
8#	xxxxxxxxxx	3	VITE TE TF M8X20	SCREW M8X20 UNI5739	SCHRAUBE	VIS
9#	xxxxxxxxxx	4	DADO AUTOB M8	NUT SELF L. M8 UNI7473	MUTTER	ECROU
10#	xxxxxxxxxx	1	VITE TE TF M6X35	SCREW M6X35 UNI5739	SCHRAUBE	VIS
11#	xxxxxxxxxx	3	VITE TE TF M8X30	SCREW M8X30 UNI5739	SCHRAUBE	VIS
12#	xxxxxxxxxx	2	ROND PIANA M6 INOX	WASHER M6 UNI6592	BEILAGSCHEIBE	RONDELLE
13	xxxxxxxxxx	1	DADO E. BASSO M12 AUTOBL.	NUT HEX LOW M12 SELFLOCK.	MUTTER	ECROU
14	146 2353 000	2	RONDELLA PIANA 16X42	WASHER FLAT 16X42	BEILAGSCHEIBE	RONDELLE
15	xxxxxxxxxx	6	DISTANZIALE 8,2X15X9,5	SPACER 8,2X15X9,5	ABSTANDSTUECK	ENTRETOISE
16	909 5637 000	1	MOLLA A GAS	SPRING GAS	FEDER	RESSORT
17	909 6107 000	1	ATTUATORE 24V	ACTUATOR 24V	AKTUATOR	VERRIN
18	909 6109 000	1	LEVA BILANCIERE	LEVER	HEBEL	LEVIER
19	xxxxxxxxxx	2	DISTANZIALE 8,2 X15 X 4	SPACER 8,2X15X4	ABSTANDSTUECK	ENTRETOISE
20	xxxxxxxxxx	1	VITE TCEI M12X85	SCREW M12X85	SCHRAUBE	VIS
21	909 6112 000	2	DISTANZIALE 8,2 X 15 X 14	SPACER 8,2X15X14	ABSTANDSTUECK	ENTRETOISE
22	909 6113 000	2	DISTANZIALE 8,2 X 15 X 24	SPACER 8,2X15X24	ABSTANDSTUECK	ENTRETOISE
23	xxxxxxxxxx	1	TUBO ATTUATORE	TUBE ACTUATOR	SCHLAUCH	TUYAU
24	909 6115 000	3	LEVA SUPPORTO SPAZZOLE	LEVER BRUSHES SUPPORT	HEBEL	LEVIER
25	909 6117 000	1	DISTANZIALE IN GOMMA AMMORTIZZATO	SPRING	FEDER	RESSORT
26	xxxxxxxxxx	2	MOLLA PER LEVA	SPRING	FEDER	RESSORT
27	909 6385 000	1	KIT LEVA BILANCIERE (4,7,9,13,19,20)	LEVER KIT (4,7,9,13,19,20)	HEBEL SATZ (4,7,9,13,19,20)	KIT LEVIER (4,7,9,13,19,20)
28	909 6386 000	3	KIT LEVA SUPPORTO SPAZZOLE (3,6,8,9,11,15)	LEVER BRUSHES SUPPORT KIT (3,6,8,9,11,15)	HEBEL BUERSTEN SATZ (3,6,8,9,11,15)	KIT LEVIER BROSSE (3,6,8,9,11,15)
29	909 6387 000	1	KIT FISSAGGIO TUBO ATTUATORE (2,5,7,23,26)	ACTUATOR TUBE FITTING KIT (2,5,7,23,26)	SCHLAUCH FIXIERUNG KIT (2,5,7,23,26)	KIT FIXAGE TUYAU VERRIN (2,5,7,23,26)
0	909 6388 000	1	KIT VITERIA (1,10,12)	HARDWARE KIT (1,10,12)	SCHRAUBEN SATZ (1,10,12)	KIT VIS (1,10,12)



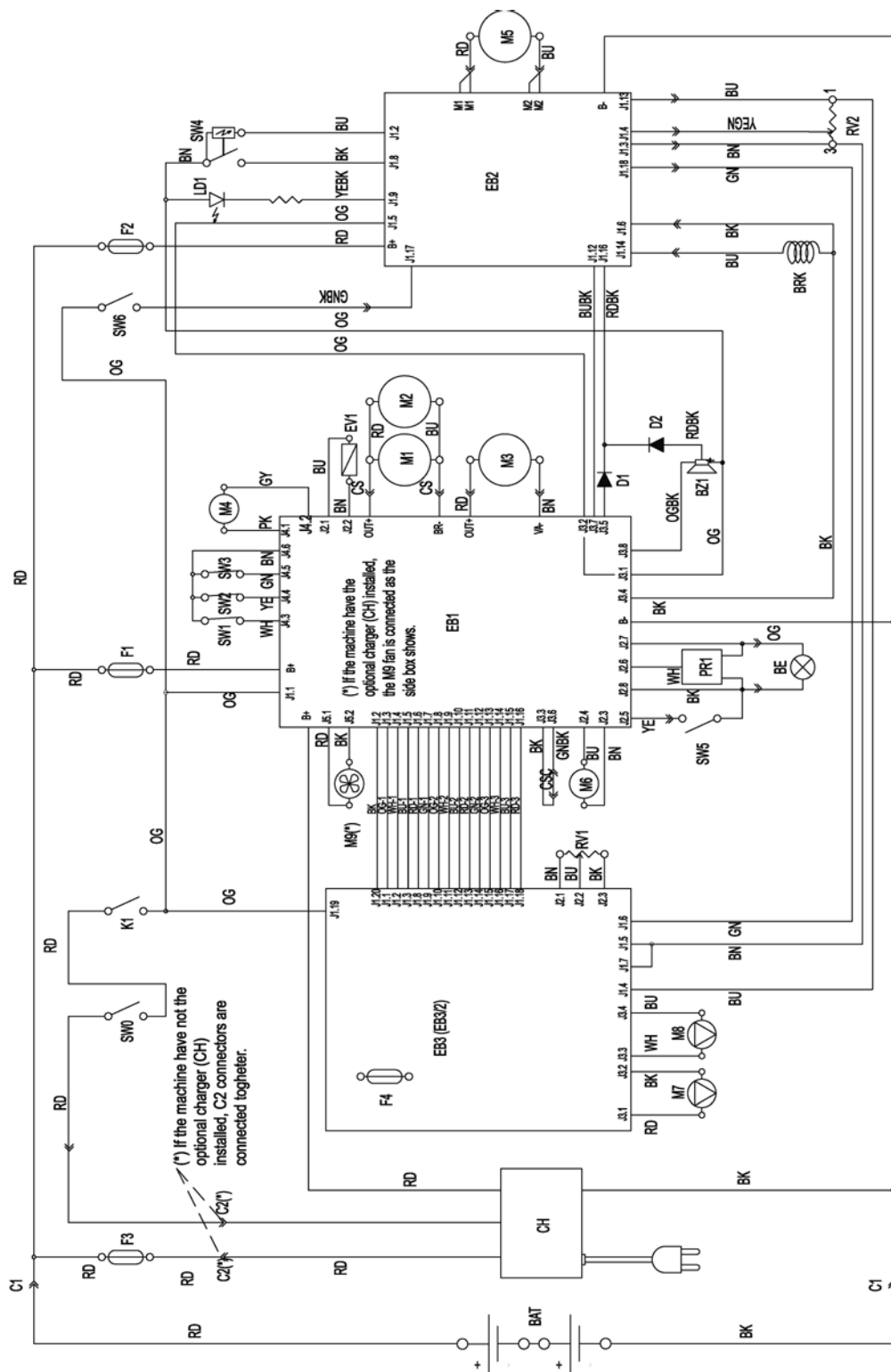
2005-10	COMPONENTI ELETTRICI / ELECTRICAL COMPONENTS	BOOK E		
2007-10	BR 601 / 651 / 751 - 751C / EDS	E	17.3.1	49

Pos Item Bild Rép	Codice Ref. No. Art. Nr. Réf. No	Q.tà Qty Menge Qté	Descrizione	Description	Beschreibung	Désignation
1	145 8046 000	1	PORTAFUSIBILE LAMELLARE	FUSE CARRIER	SICHERUNGSHALTER	SUPPORT DU FUSIBLE
2#	xxxxxxxxxx	1	DADO ES BASSO M6	NUT HEX M6 UNI5589	MUTTER M6	ECROU M6
3#	xxxxxxxxxx	5	DADO AUTOB BASSO M5	NUT SELF L. M5 UNI7474	MUTTER M5	ECROU M5
4#	xxxxxxxxxx	2	VITE TE TF M5X20	SCREW M5X20 UNI5739	SCHRAUBE	VIS
5#	xxxxxxxxxx	4	ROND GROWER M4	WASHER M4 UNI1751B	BEILAGSCHEIBE	RONDELLE
6	xxxxxxxxxx	2	DADO E. BASSO AUTOBLOCC. M4	NUT HEX. LOW SELF LOCK. M4	MUTTER M4	ECROU M4
7#	xxxxxxxxxx	5	ROND PIANA M5	WASHER M5 UNI6592	BEILAGSCHEIBE	RONDELLE
8#	xxxxxxxxxx	3	VITE TE TF M5X12	SCREW M5X12 UNI5739	SCHRAUBE	VIS
9#	xxxxxxxxxx	2	ROND PIANA M4	WASHER M4 UNI6592	BEILAGSCHEIBE	RONDELLE
10	xxxxxxxxxx	4	RONDELLA PIANA 4X12	WASHER FLAT 4X12	BEILAGSCHEIBE	RONDELLE
11#	xxxxxxxxxx	4	VITE TE TF M4X12	SCREW M4X12 UNI5739	SCHRAUBE	VIS
12	146 0659 000	1	PORTAFUSIBILE MAXIFUSE	FUSE CARRIER, MAXIFUSE	SICHERUNGSHALTER	SUPPORT DU FUSIBLE
13	909 6341 000	1	PORTAFUSIBILE LAMELLARE	FUSE CARRIER	SICHERUNGSHALTER	SUPPORT DU FUSIBLE
14	xxxxxxxxxx	1	VITE TE M6X10	SCREW HEX. HD M6X10	SCHRAUBE	VIS
15	xxxxxxxxxx	2	VITE TE M4X35	SCREW HEX. HD M4X35	SCHRAUBE	VIS
16	909 6131 000	1	VENTOLA DI RAFFREDDAMENTO	FAN COOLING	LUEFTERRAD	VENTILATEUR DE REFROIDIS.
17	909 6116 000	1	SUPPORTO COMPONENTI ELETTRICI	ELECTRONIC COMPONENTS SUPPORT	HALTER	SUPPORT
18	909 6118 000	1	SCHEDA ELETTRONICA TRAZIONE	ELECTRONIC CARD, TRACTION	ELEKTRONISCHE KARTE	CARTE ELECTRONIQUE
19	909 6119 000	1	SCHEDA ELETTRONICA FUNZIONI	ELECTRONIC CARD	ELEKTRONISCHE KARTE	CARTE ELECTRONIQUE
20	909 6126 000	1	SEGNALATORE ACUSTICO 5-32V	BUZZER 5-32V	HUEPE	AVERTISSEUR
21	909 6157 000	1	CARICABATTERIE 24V 25A 230V	BATTERY CHARGER 24V 25A 230V	BATTERIE LADEGERAETE 24V 25A 230V	CHARGEUR DE BATTERIE 24V 25A 230V
21	909 6257 000	1	CARICABATTERIE 24V 25 A 110-115V	BATTERY CHARGER 24V 25A 110-115V	BATTERIE LADEGERAETE 24V 25A 110-115V	CHARGEUR DE BATTERIE 24V 25A 110-115V
22	33005865	1	RONDELLA	WASHER	BEILAGSCHEIBE	RONDELLE
0	145 1980 000	1	FUSIBILE 100A	FUSE 100A	SICHERUNG 100A	FUSIBILE 100A
0	145 9852 000	1	FUSIBILE 5A	FUSE 5A	SICHERUNG 5A	FUSIBILE 5A
0	909 6218 000	1	FUSIBILE 60A	FUSE 60A	SICHERUNG 60A	FUSIBILE 60A
0	909 6124 000	1	CABLAGGIO MACCHINA	MACHINE HARNESS	MASCHINE KABELVERBINDUNG	CABLAGE MACHINE
0	909 6574 000	1	CABLAGGIO POMPE - MACCHINA CON EDS	PUMPS HARNESS- MACHINE WITH EDS	PUMPE KABELVERBINDUNG - EDS	CABLAGE POMPE - MACHINE AVEC EDS
0	909 6125 000	1	CABLAGGIO BATTERIA	BATTERY HARNESS	BATTERIE KABELVERBINDUNG	CABLAGE BATTERIE
0	909 6123 000	1	CABLAGGIO CASSETTA ELETTRICA	HARNESS ELECTRIC BOX	KABELVERBINDUNG	CABLAGE
0	146 1986 000	1	CONNETTORE BATTERIE	CONNECTOR	STECKER	PRISE
0	145 1726 000	1	FUSIBILE 10A PER CARICABATTERIA - 230V	FUSE 10A FOR BATTERY CHARGER - 230V	SICHERUNG 10 A - BATTERIE LADEGERAETE - 230V	FUSIBILE 10A FOR CHARGEUR DE BATTERIE -230V
0	909 6251 000	1	VENTOLA PER CARICABATTERIA - 230V E 110-115V	COOLING FAN FOR BATTERY CHARGER- 230V AND 110- 115V	KUEHL. VENTIL. LADEGERAETE -230V UND 110-115V	VENTILATEUR DU CHARGEUR - 230V ET 110- 115V
0	909 6255 000	1	SCHEDA ELETTR. CARICABATTERIA - 230V	BATTERY CHARGER CARD -230V	BATT. LADEGERAETE ELEKCTR. KARTE -230V	CARTE DU CHARGEUR - 230V
0	909 6252 000	1	SCHEDA DISPLAY CARICABATTERIA 230V	DISPLAY CARD - BATTERY CHARGER - 230V	BATT. LADEGERAETE KARTE -230V	CARTE DISPLAY DU CHARGEUR - 230V

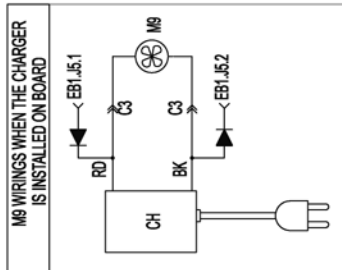


Pos Item Bild Rép	Codice Ref. No. Art. Nr. Réf. No	Q.tà Qty Menge Qté	Descrizione	Description	Beschreibung	Désignation
0	909 6256 000	1	CAVO DI RETE - CARICABATTERIA 230V	NET CABLE - BATTERY CHARGER 230V	KABLE - BATT. LADEGERAETE 230V	CABLE - CHARGEUR 230V
0	146 0801 000	1	INTERRUTTORE WET/GEL - CARICABATTERIA 230V E 110-115V	SWITCH - BATTERY CHARGER 230V AND 110- 115V	SCHALTER - BATT. LADEGERAETE 230V UND 110-115V	INTERRUPTEUR - CHARGEUR 230V ET 110-115V
0	146 2141 000	1	FUSIBILE 15A PER CARICABATTERIA 110-115V	FUSE 15A FOR BATTERY CHARGER 110-115V	SICHERUNG 15 A - BATTERIE LADEGERAETE 110-115V	FUSIBLE 15A FOR CHARGEUR DE BATTERIE 110-115V
0	909 6259 000	1	SCHEDA ELETTR. CARICABATTERIA 110-115V	BATTERY CHARGER CARD -110-115V	BATT. LADEGERAETE ELEKCTR. KARTE -110-115V	CARTE DU CHARGEUR 110-115V
0	909 6258 000	1	SCHEDA DISPLAY CARICABATTERIA 110-115V	DISPLAY CARD BATTERY CHARGER 110-115V	BATT. LADEGERAETE KARTE 110-115V	CARTE DISPLAY DU CHARGEUR 110-115V
0	909 6260 000	1	CAVO DI RETE - CARICABATTERIA 110-115V	NET CABLE - BATTERY CHARGER 110-115V	KABLE - BATT. LADEGERAETE 110-115V	CABLE - CHARGEUR 110- 115V
0	909 6350 000	1	PROGRAMMATORE PER SPEED CONTROL	SPEED CONTROL PROGRAMMER	HANDHELD PROGRAMMER	HANDHELD PROGRAMMER
0	909 6432 000	1	KIT CARICABATTERIA COMPLETO (PER MACCHINA SENZA CARICABATTERIA)	BATTERY CHARGER KIT (FOR MACHINE W/O BATTERYCHARGER)	BATTERIE LADEGERAETE SATZ (F MASCHINE OHNE LADEGER.)	CHARGEUR DE BATTERIE KIT (POUR MACHINE SANS CHARGEUR)
0	909 6433 000	1	KIT CARICABATTERIA COMPLETO J (PER MACCHINA SENZA CARICABATTERIA)	BATTERY CHARGER KIT J (FOR MACHINE W/O BATTERYCHARGER)	BATTERIE LADEGERAETE SATZ J (F MASCHINE OHNE LADEGER.)	CHARGEUR DE BATTERIE KIT J (POUR MACHINE SANS CHARGEUR)
0	909 6434 000	1	ISTRUZIONI DI MONTAGGIO PER KIT CARICABATTERIA (909 6432 000 - 909 6433 000)	INSTALLATION INSTRUCTIONS FOR BATTERY CHARGER KIT (909 6432 000 - 909 6433 000)	MONTAGE ANGABEN F BATTERIE LADEGERAETE SATZ (909 6432 000 - 909 6433 000)	INSTRUCTION POUR LE MONTAGE DU CHARGEUR KI (909 6432 000 - 909 6433 000)
0	909 6363 000	1	KIT VITERIA (2,3,4,5,6,7,8,9,1 0,11,14,15)	ELECTRICAL COMPONENTS HARDWARE KIT (2,3,4,5,6, 7,8,9,10,11,14,15)	SCHRAUBEN SATZ (2,3,4, 5,6,7,8,9,10,11,14,15)	KIT VIS (2,3,4,5,6,7,8,9, 10,11,14,15)

WIRING DIAGRAM BR601/651/751 - 751C / EDS
909 6134 000 REVA

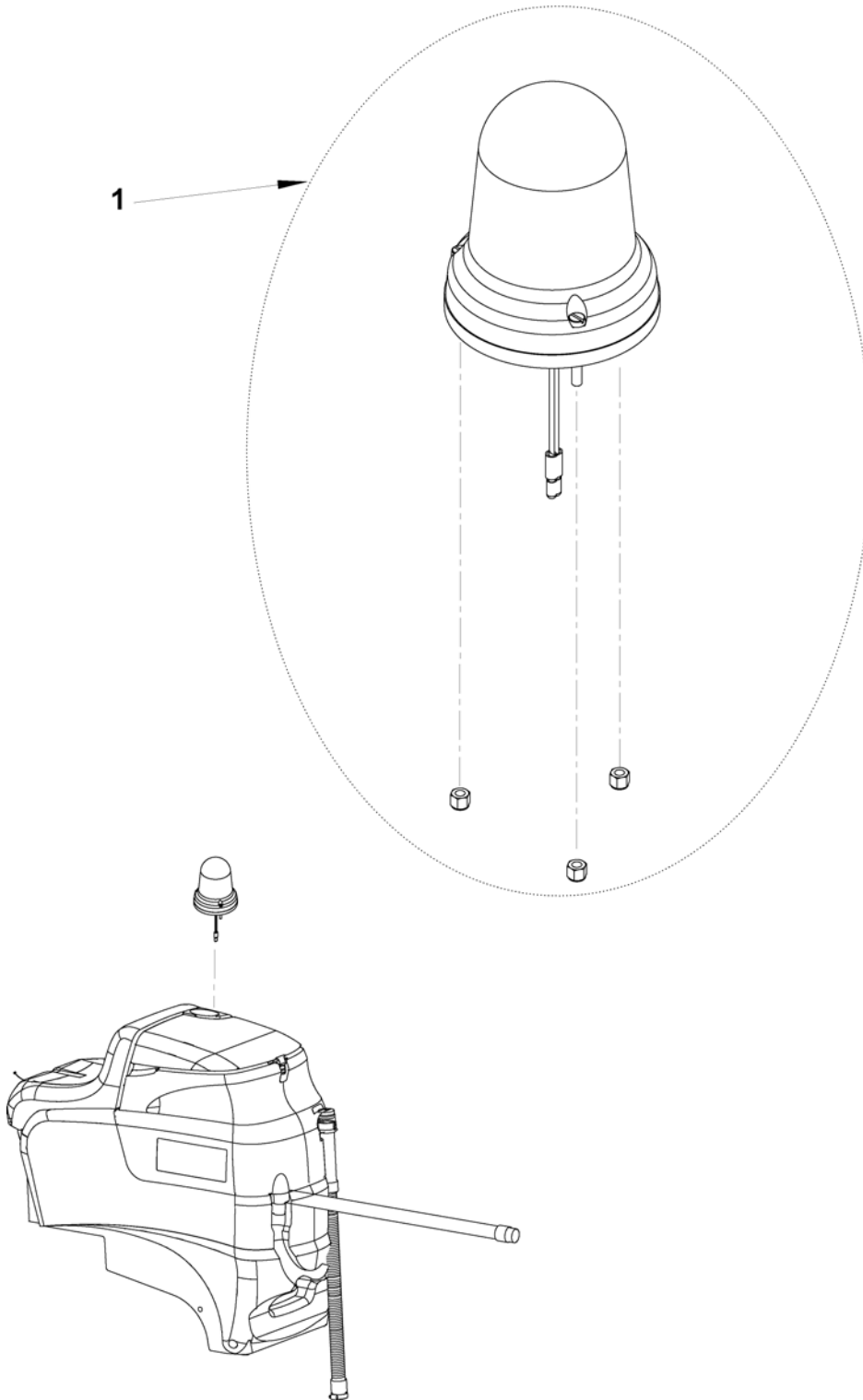


(*) If the machine have the optional charger (CH) installed, the M9 fan is connected as the side box shows.



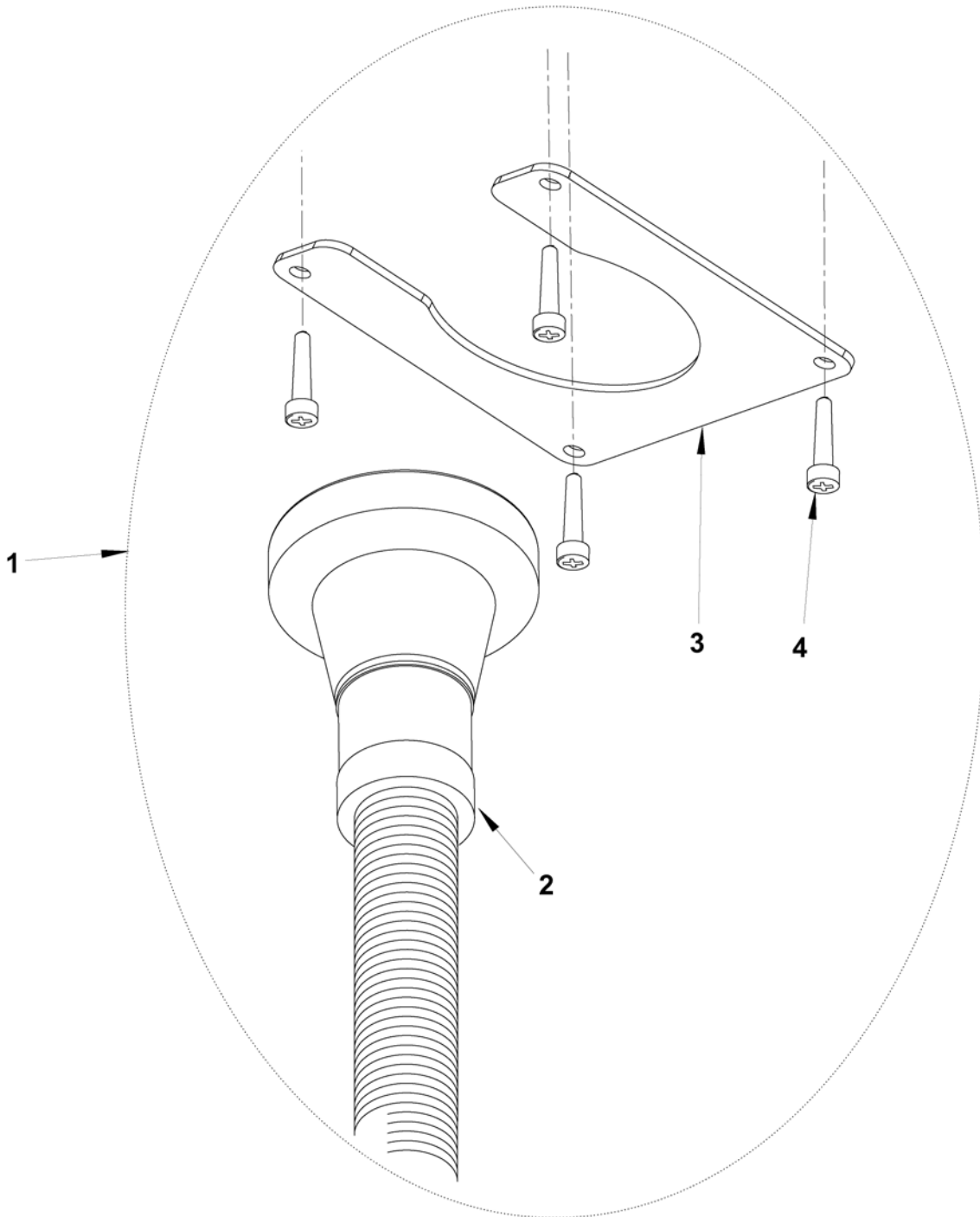
COMPONENTS / COMPONENTI					
BAT	24V BATTERIES	BATTERIE 24V	LD1	DRIVE DIAGNOSTIC WARNING LIGHT	SPA DIAGNOSTICA SCHEDA TRAZIONE
BE	BEACON	GIROFARO	M1	LEFT BRUSH MOTOR	MOTORE SPAZZOLA SINISTRA
BRK	ELECTROMAGNETIC BRAKE	FRENO ELETTROMAGNETICO	M2	RIGHT BRUSH MOTOR	MOTORE SPAZZOLA DESTRA
BZ1	BACK-UP ALLARM / HORN	BUZZER RETROMARCIA / CLACSON	M3	VACUUM MOTOR	MOTORE ASPIRATORE
C1	BATTERY CONNECTOR	CONNETTORE BATTERIE	M4	BRUSH DECK ACTUATOR	ATTUATORE TESTATA SPAZZOLE
C2	SECONDARY CHARGER CONNECTOR	CONNETTORE AUSIL. CARICABATTERIE	M5	DRIVE MOTOR	MOTORE TRAZIONE
C3	EXT. FAN CHARGER CONNECTOR (OPT)	CONN. CARICABAT. PER VENTOLA ESTERNA	M6	SQUEEGEE ACTUATOR	ATTUATORE TERGITORE
CH	BATTERY CHARGER (OPT)	CARICABATTERIE (OPT)	M7	WATER PUMP (OPT)	POMPA ACQUA (OPT)
CS	BRUSH DECK CONNECTOR	CONNETTORE TESTATA SPAZZOLE	M8	CHEMICAL PUMP (OPT)	POMPA PRODOTTI CHIMICI (OPT)
CSC	CILINDRICAL DECK SECONDARY CONNECTOR	CONN. SECONDARIO TESTATA SPAZZ. CILINDRICHE	M9	FAN	VENTOLA RAFFREDDAMENTO
EB1	FUNCTIONS ELECTRONIC BOARD	SCHEDA ELETTRONICA FUNZIONI	PR1	WATER LEVEL SENSOR	SENSORE LIVELLO ACQUA
EB2	DRIVE ELECTRONIC BOARD	SCHEDA ELETTRONICA TRAZIONE	RV1	WORK SPEED LIMITER	POTENZIOMETRO VELOCITA' DI LAVORO
EB3	CONTROL PANEL BOARD	SCHEDA ELETTRONICA PLANCIA	RV2	DRIVE SPEED POTENTIOMETER (PEDAL)	POTENZIOMETRO VELOCITA' (PEDALE)
EB3/2	C. P. BOARD W. PUMP DRIVERS (OPT)	SCH. ELETR. PL. CON USCITA POMPE (OPT)	SW0	EMERGENCY STOP SWITCH	PULSANTE STOP DI EMERGENZA
EV1	WATER ELECTROVALVE	ELETTROVALVOLA ACQUA	SW1	ACTUATOR LIMIT MICROSWITCH (POS.0)	MICROINT. FINECORSA ATTUATORE (POS.0)
F1	FUNCTIONS FUSE	FUSIBILE FUNZIONI	SW2	ACTUATOR LIMIT MICROSWITCH (POS.1)	MICROINT. FINECORSA ATTUATORE (POS.1)
F2	DRIVE SYSTEM FUSE	FUSIBILE SISTEMA DI TRAZIONE	SW3	ACTUATOR LIMIT MICROSWITCH (POS.2)	MICROINT. FINECORSA ATTUATORE (POS.2)
F3	LOW POWER CIRCUIT FUSE	FUSIBILE CIRCUITI DI SEGNALE	SW4	STEERING SENSOR	SENSORE DI STERZATA
F4	CHEMICALS FUSE (only with EB3/2)	FUSIBILE MISCELATORE (solo con EB3/2)	SW5	SEAT MICROSWITCH	MICROINTERRUTTORE SEDILE
K1	KEY SWITCH	CHIAVE	SW6	REW GEAR SWITCH (IF PRESENT)	INTERR. RETROMARCIA (SE PREVISTO)

KIT LUCE PIVOETTANTE / FLASHING BEACON KIT



Pos Item Bild Rép	Codice Ref. No. Art. Nr. Réf. No	Q.tà Qty Menge Qté	Descrizione	Description
1*	146 2692 000	1	KIT LUCE PIVOETTANTE	FLASHING BEACON KIT
0	146 2693 000	1	ISTRUZIONI DI MONTAGGIO PER KIT LUCE PIVOETTANTE	INSTALLATION INSTRUCTION FOR FLASHING BEACON KIT
0*	909 6340 000	1	KIT SILENZIATORE CICALINO RETROMARCIA	BUZZER SILENCER KIT
0	909 6422 000	1	ISTRUZIONI DI MONTAGGIO PER KIT SILENZIATORE CICALINO RETROMARCIA	INSTALLATION INSTRUCTION FOR BUZZER SILENCER KIT

KIT TUBO CARICO ACQUA PULITA / WATER FEED HOSE KIT



2006-06	ACCESSORI / ACCESSORIES	BOOK E		
	BR 601 / 651 / 751 - 751C / EDS	E	17.3.1	57

Pos Item Bild Rép	Codice Ref. No. Art. Nr. Réf. No	Q.tà Qty Menge Qté	Descrizione	Description
1*	909 6814 000	1	Kit tubo carico acqua pulita	Water feed hose kit
2	xxxxxxxxxx	1	Tubo carico acqua	Water feed hose
3	xxxxxxxxxx	1	Supporto tubo di carico acqua	Water feed hose holder
4	xxxxxxxxxx	4	Vite autofilettante TCB 3.5x11	Self-tapping screw d3.5x10
0	909 6816 000	1	Istruzioni di montaggio per kit tubo riempimento acqua pulita	Installation instruction for hose filling kit

BOOK E			RICAMBI CONSIGLIATI / RECOMMENDED SPARE PARTS	2005-10
E	17.3.1	58	BR 601 / 651 / 751 - 751C / EDS	2007-10

Ref. No.	PART DESCRIPTION	QTY	NOTES
CHASSIS / DRIVE SYSTEM			
9096931000#	DRIVE MOTOR 600W 24V	1	BR 601 - BR 651 - BR 751 - BR 751C
9096935000#	DRIVE TIRE	1	BR 601 - BR 651 - BR 751 - BR 751C
9096895000#	REAR WHEEL	2	BR 601 - BR 651 - BR 751 - BR 751C
9096960000#	CARBON BRUSH (4 PCS KIT)	1	BR 601 - BR 651 - BR 751 - BR 751C
9096966000#	ELECTRIC BRAKE	1	BR 601 - BR 651 - BR 751 - BR 751C
SCRUB SYSTEM -DISK			
909 6172 000	SIDE SKIRT	2	BR 601 - BR 651 - BR 751 - BR 751C
909 5877 000	CARBON BRUSH (4 PCS KIT)	2	BR 601 - BR 651 - BR 751 - BR 751C
909 6165 000	REDUCTIONGEAR MOTOR 400W 24V	2	BR 601 - BR 651 - BR 751 - BR 751C
909 6715 000	SQUEEGEE ACTUATOR	1	BR 601 - BR 651 - BR 751 - BR 751C
909 6107 000	BRUSH DECK ACTUATOR	1	BR 601 - BR 651 - BR 751 - BR 751C
146 1037 000	HANDWHEEL	1	BR 601 - BR 651 - BR 751 - BR 751C
146 1036 000	HANDWHEEL, M10	8	BR 601 - BR 651 - BR 751 - BR 751C
SCRUB SYSTEM - CYLINDRICAL			
909 6194 000	SIDE SKIRT	2	BR 751C
909 6715 000	SQUEEGEE ACTUATOR	1	BR 751C
909 6107 000	BRUSH DECK ACTUATOR	1	BR 751C
909 5760 000	BELT, BRUSH RIGHT	1	BR 751C
909 5761 000	BELT, BRUSH LEFT	1	BR 751C
909 6225 000	DIRT CONTAINER	1	BR 751C
909 5774 000	MOTOR, BRUSH - 600W 24V	2	BR 751C
L08603949	CARBON BRUSH (4 PCS KIT)	2	BR 751C
909 5724 000	COVER, BELT RIGHT	1	BR 751C
909 5725 000	COVER, BELT LEFT	1	BR 751C
909 5758 000	BELT PULLEY	2	BR 751C
909 5759 000	BELT PULLEY	2	BR 751C
146 1036 000	HANDWHEEL, M10	8	BR 751C
909 5964 000	HANDWHEEL, M8	2	BR 751C
SOLUTION / CHEMICAL SYSTEM			
909 5207 000	FILTER	1	BR 601 - BR 651 - BR 751 - BR 751C
909 5215 000	NET & GASKET	1	BR 601 - BR 651 - BR 751 - BR 751C
909 6328 000	DRAIN HOSE	1	BR 601 - BR 651 - BR 751 - BR 751C
909 6083 000	CAP, DRAIN HOSE SOLUTION	1	BR 601 - BR 651 - BR 751 - BR 751C
909 5205 000	SOLENOID VALVE	1	BR 601 - BR 651 - BR 751 - BR 751C
9096954000#	VALVE	1	BR 601 - BR 651 - BR 751 - BR 751C
909 6091 000	PRESSURE SENSOR	1	BR 601 - BR 651 - BR 751 - BR 751C
VACUUM / RECOVERY SYSTEM			
146 0629 000	GASKET 1310MM	1	BR 601 - BR 651 - BR 751 - BR 751C
909 5371 000	CARBON BRUSH	2	BR 601 - BR 651 - BR 751 - BR 751C
909 6095 000	GASKET	1	BR 601 - BR 651 - BR 751 - BR 751C
909 5196 000	VACUUM MOTOR - 500W 24V	1	BR 601 - BR 651 - BR 751 - BR 751C
909 5902 000	COVER, RECOVERY TANK	1	BR 601 - BR 651 - BR 751 - BR 751C
909 6096 000	HOSE DRAIN, SOLUTION TANK	1	BR 601 - BR 651 - BR 751 - BR 751C
L08812259	CAGE, FLOATING BALL	2	BR 601 - BR 651 - BR 751 - BR 751C
L08812373	FLOATING BALL	1	BR 601 - BR 651 - BR 751 - BR 751C
909 6097 000	VACUUM HOSE	1	BR 601 - BR 651 - BR 751 - BR 751C
909 6094 000	VIBRATION DAMPING	3	BR 601 - BR 651 - BR 751 - BR 751C
909 6442 000	ACOUSTIC INSULATION HOSE	1	BR 601 - BR 651 - BR 751 - BR 751C
909 6569 000	ACOUSTIC INSULATION	1	BR 601 - BR 651 - BR 751 - BR 751C

2005-10	RICAMBI CONSIGLIATI / RECOMMENDED SPARE PARTS	BOOK E		
2007-10	BR 601 / 651 / 751 - 751C / EDS	E	17.3.1	59

Ref. No.	PART DESCRIPTION	QTY	NOTES
SQUEEGEE SYSTEM			
L08602460	WHEEL BUMPER	2	BR 601 - BR 651 - BR 751 - BR 751C
L08603675	THUMB NUT	2	BR 601 - BR 651 - BR 751 - BR 751C
909 6718 000	SQUEEGEE LFT CABLE KIT	1	BR 601 - BR 651 - BR 751 - BR 751C
ELECTRICAL COMPONENTS			
145 9852 000	FUSE, 5 AMP		BR 601 - BR 651 - BR 751 - BR 751C
909 6218 000	FUSE, 60 AMP		BR 601 - BR 651 - BR 751 - BR 751C
145 1980 000	FUSE, 100 AMP		BR 601 - BR 651 - BR 751 - BR 751C
909 5205 000	SOLENOID VALVE 24VDC		BR 601 - BR 651 - BR 751 - BR 751C
146 2888 000	KEY SWITCH		BR 601 - BR 651 - BR 751 - BR 751C
909 6076 000	POTENTIOMETER		BR 601 - BR 651 - BR 751 - BR 751C
909 6119 000	FUNCTIONS PCB		BR 601 - BR 651 - BR 751 - BR 751C
909 6077 000	CONTROL PANEL PCB		BR 601 - BR 651 - BR 751 - BR 751C
909 6317 000	PROXIMITY SENSOR		BR 601 - BR 651 - BR 751 - BR 751C
146 2480 000	DRIVE PEDAL POTENTIOMETER		BR 601 - BR 651 - BR 751 - BR 751C
909 6118 000	SPEED CONTROLLER		BR 601 - BR 651 - BR 751 - BR 751C
MISCELLANEOUS / ECO DOSAGE SYSTEM			
146 2887 000	KEY, REPLACEMENT	1	BR 601 - BR 651 - BR 751 - BR 751C
909 6157 000	BATTERY CHARGER 24V 230V	1	BR 601 - BR 651 - BR 751 - BR 751C
909 6256 000#	CHARGER CORD F. BATTERY CHARGER 230V	1	BR 601 - BR 651 - BR 751 - BR 751C
909 6257 000	BATTERY CHARGER 24V 110-115V	1	BR 601 - BR 651 - BR 751 - BR 751C
909 6260 000	CHARGER CORD F. BATTERY CHARGER 110-115V	1	BR 601 - BR 651 - BR 751 - BR 751C
56315108	PUMP 24V	1	BR 601 - BR 651 - BR 751 - BR 751C
56315522	CHECK VALVE	1	BR 601 - BR 651 - BR 751 - BR 751C
909 6087 000	ELBOW 90°	2	BR 601 - BR 651 - BR 751 - BR 751C
909 6183 000	CHEMICAL MIX PUMP	1	BR 601 - BR 651 - BR 751 - BR 751C
909 6536 000	ELBOW T	1	BR 601 - BR 651 - BR 751 - BR 751C
909 6576 000	SOLENOID VALVE - MACHINE WITH EDS	1	BR 601 - BR 651 - BR 751 - BR 751C
909 6835 000	EDS HOSE KIT	1	BR 601 - BR 651 - BR 751 - BR 751C
ACCESSORIES			
909 6152 000#	BRUSH DECK KIT WITH SQUEEGEE	1	BR 601
L08603842	BRUSH D.305 PROLENE	2	BR 601
L08603873	BRUSH D.305 MIDGRIT 240	2	BR 601
L08603872	BRUSH D.305 MIDLITE GRIT 180	2	BR 601
L08603874	BRUSH D.305 PROLITE	2	BR 601
L08603875	BRUSH D.305 UNION MIX	2	BR 601
L08603939	PAD HOLDER KIT	2	BR 601
909 6153 000	BRUSH DECK KIT WITH SQUEEGEE	1	BR 651
909 5332 000	BRUSH D.330 PROLENE	2	BR 651
909 5334 000	BRUSH D.330 MIDGRIT 240	2	BR 651
909 5336 000	BRUSH D.330 MIDLITE GRIT 180	2	BR 651
909 5338 000	BRUSH D.330 PROLITE	2	BR 651
909 5340 000	BRUSH D.330 UNION MIX	2	BR 651
909 5330 000	PAD HOLDER KIT	2	BR 651
909 6154 000	BRUSH DECK KIT WITH SQUEEGEE	1	BR 751
909 5333 000	BRUSH D.730 PROLENE	2	BR 751
909 5335 000	BRUSH D.730 MIDGRIT 240	2	BR 751
909 5337 000	BRUSH D.730 MIDLITE GRIT 180	2	BR 751
909 5339 000	BRUSH D.730 PROLITE	2	BR 751
909 5341 000	BRUSH D.730 UNION MIX	2	BR 751
909 5331000	PAD HOLDER KIT	2	BR 751

BOOK E			RICAMBI CONSIGLIATI / RECOMMENDED SPARE PARTS	2005-10
E	17.3.1	60	BR 601 / 651 / 751 - 751C / EDS	2007-10

Ref. No.	PART DESCRIPTION	QTY	NOTES
909 6155 000	BRUSH DECK CYL KIT WITH SQUEEGEE	1	BR 751C
56412191	BRUSH CYL SOFT NYLON	2	BR 751C
56412192	BRUSH CYL HARD NYLON	2	BR 751C
56412046	BRUSH CYL PROLENE	2	BR 751C
56412193	BRUSH CYL MIDLITE	2	BR 751C
56412194	BRUSH CYL DYNA	2	BR 751C
56412195	BRUSH CYL MAGNA GRIT	2	BR 751C
909 5372 000	SQUEEGEE CPL KIT 32"	2	BR 751C
909 5373 000	SQUEEGEE CPL KIT 34"	2	BR 751C
146 2692 000	BEACON FLASH. ON SUPPORT KIT	1	BR 601 - BR 651 - BR 751 - BR 751C
909 6340 000	SILENCER BUZZER KIT	1	BR 601 - BR 651 - BR 751 - BR 751C
909 6814 000	HOSE FILLING KIT	1	BR 601 - BR 651 - BR 751 - BR 751C



Nilfisk-Advance SpA

Registered office: Via F. Turati 16/18, 20121 Milano

Administrative office: Strada Comunale della Braglia n° 18,
26862 Guardamiglio (Lodi)

www.nilfisk-advance.com

Phone: +39 0377 451124

Fax: +39 0377 51443

Printed in Italy